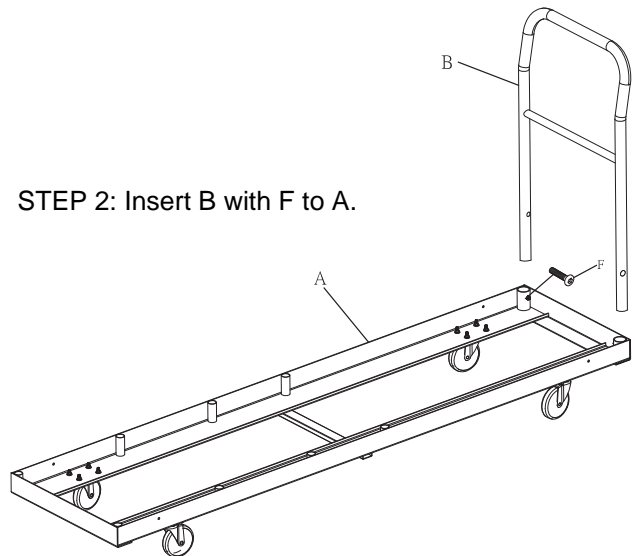


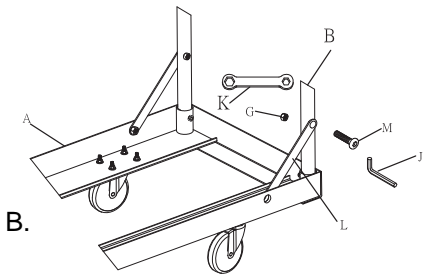
PART LIST

PART#	DESCRIPTION	DRAWING	QTY
A	BASE		1PC
B	Main Handle		1PC
C	Handle(Mid & End)		2PCS
D	Caster with Brake		4PCS
E	Steel Washer		32PCS
F	Bolt(M6)		4PCS
G	Nut(M6)		4PCS
H	Nut(M8)		16PCS
I	Bolt(M8)		16PCS
J	Inner Hexagon Spanner		1PC
K	Spanner		2PCS
L	Steel Plate		2PCS
M	Bolt		2PCS

NOR-FE11019-SO ASSEMBLY INSTRUCTIONS

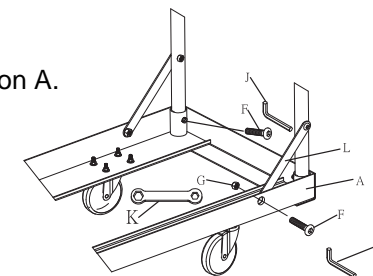


STEP 2: Insert B with F to A.

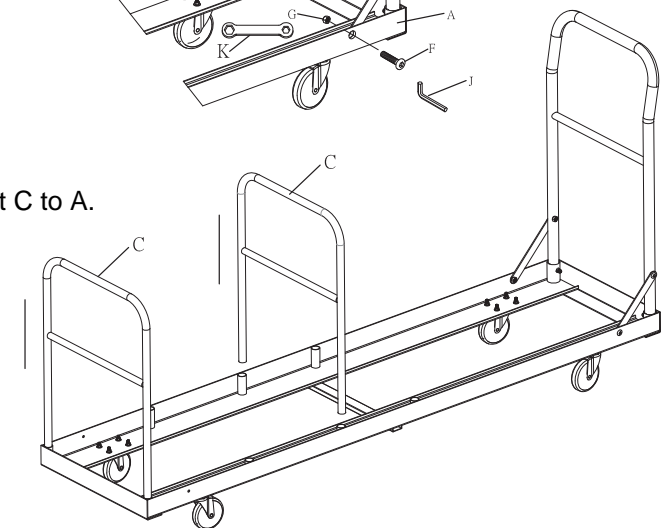


STEP 3: a) Assemble L with M x 1pc and G x 1pc on B.

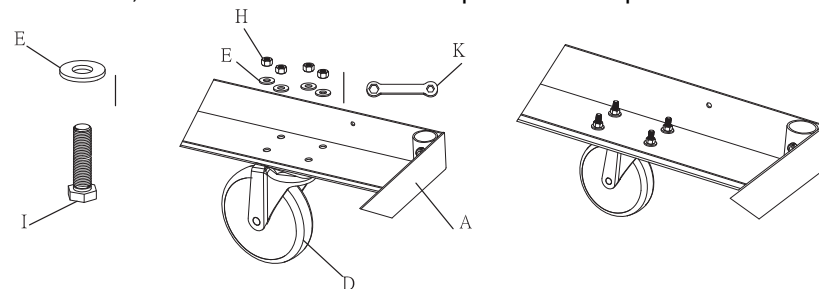
STEP 3: b) Assemble L with F x 1pc and G x 1pc on A.



STEP 4: Insert C to A.



STEP 1: a) Put E on I first, and assemble D with E x 4pcs and H x 4pcs to A.



STEP 1: b) Repeat step a), assemble four wheels to A.