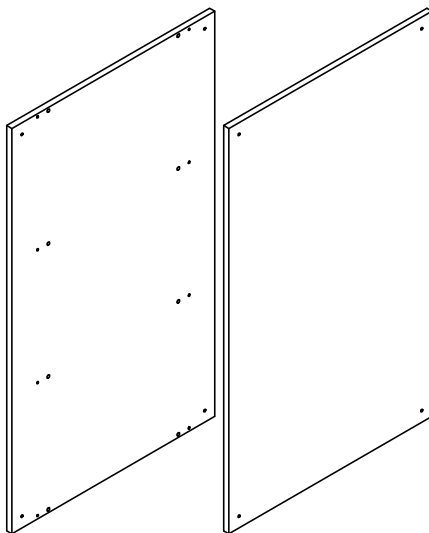


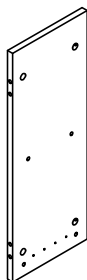
Ax1



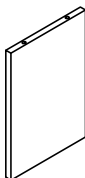
Bx1



Cx2



Dx2



Ex1



Fx1



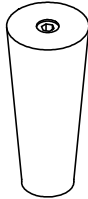
Gx1



Hx22



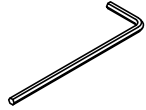
lx16



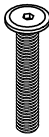
Jx4



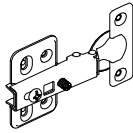
Kx16



Lx1



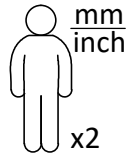
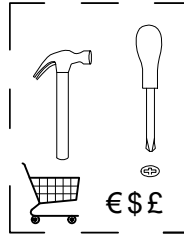
Mx4



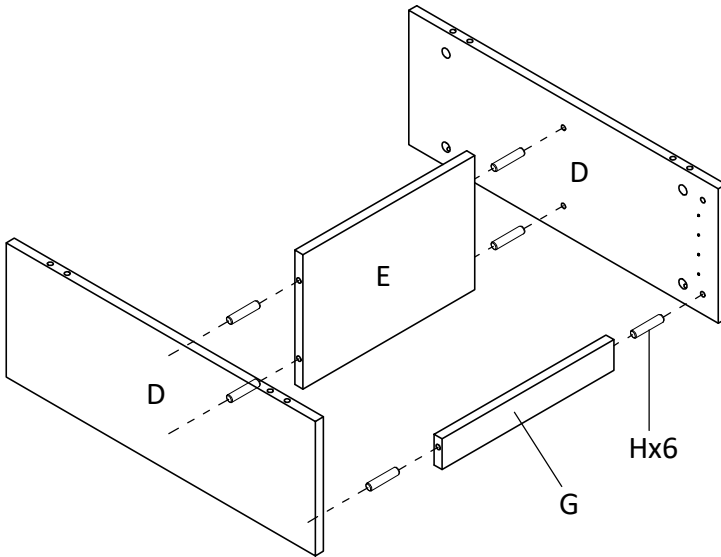
Nx2



Ox12



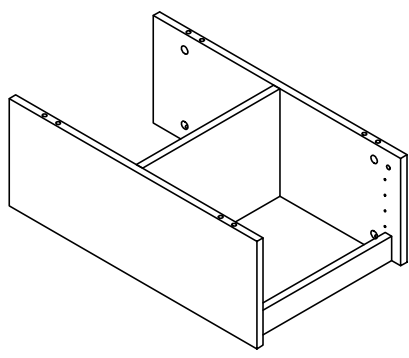
①



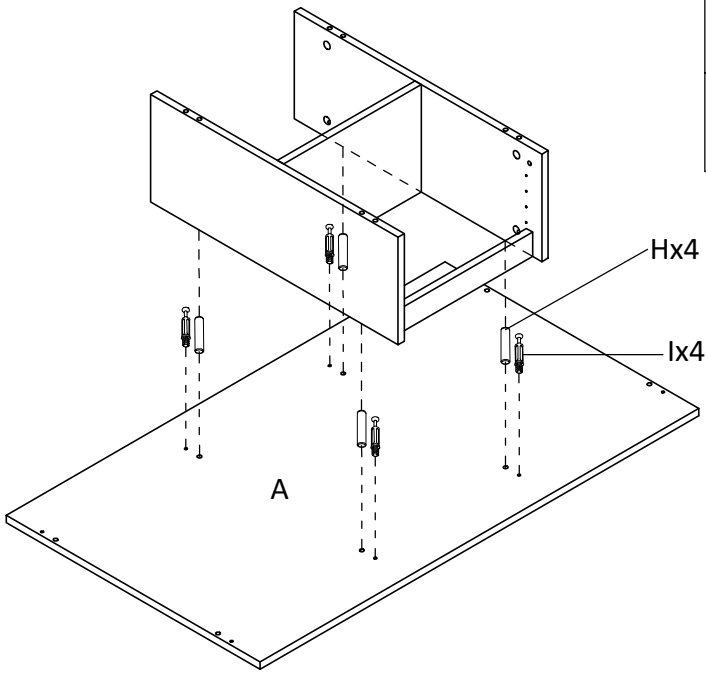
Hx6

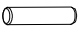



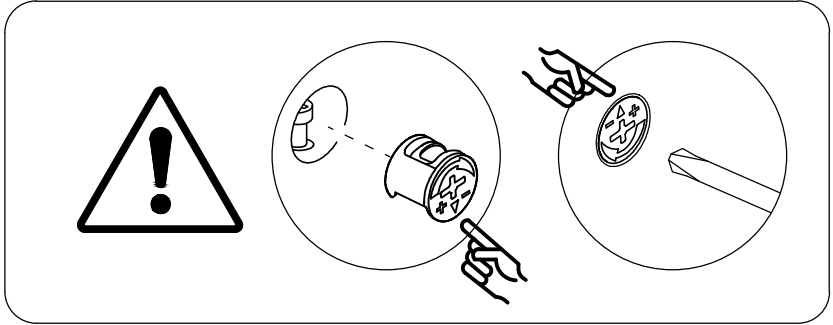
2



3

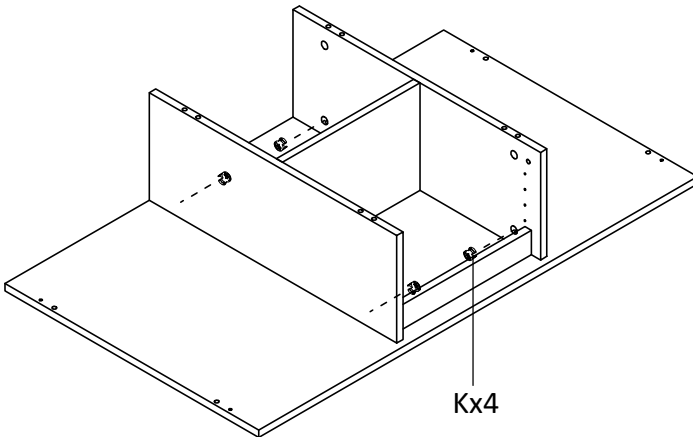


Hx4	
Ix4	



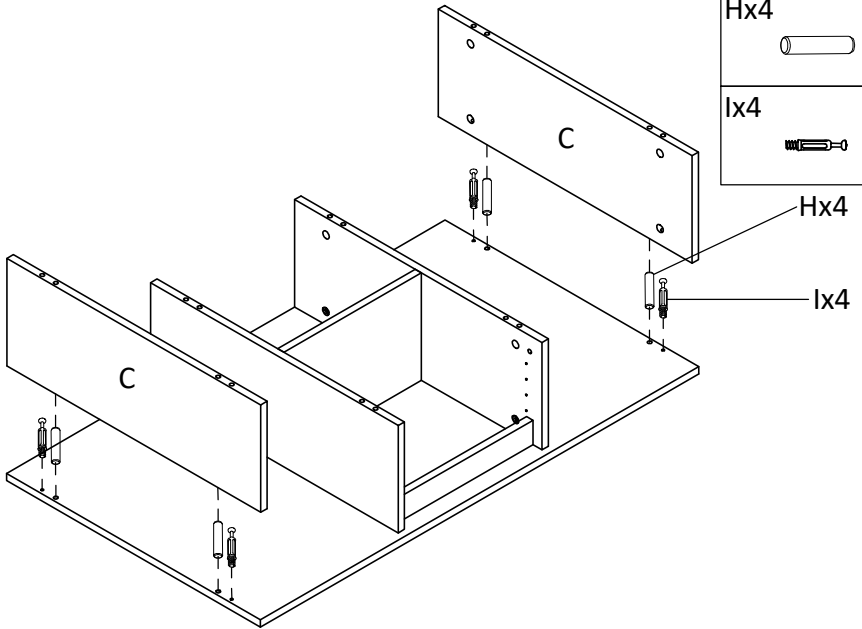
4

Kx4

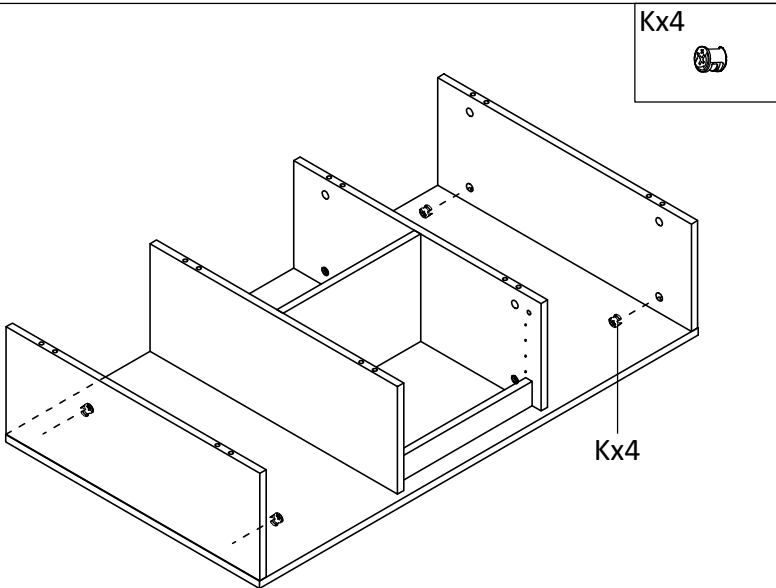


Kx4

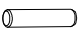

5

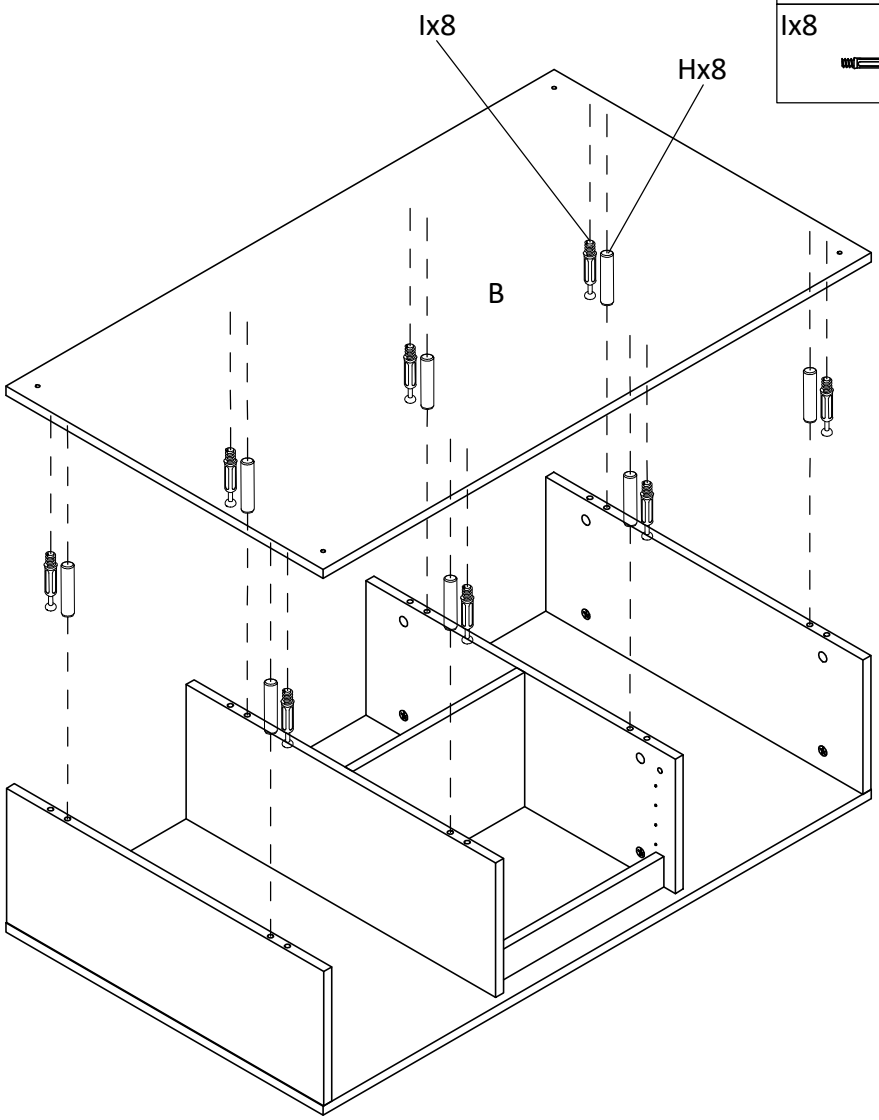


6



7

Hx8	
Ix8	

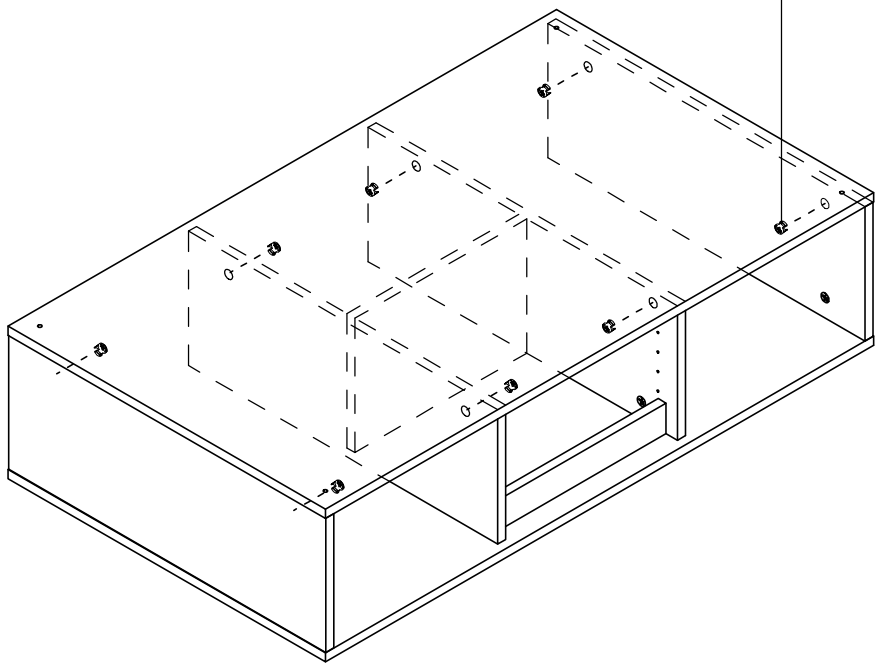


8

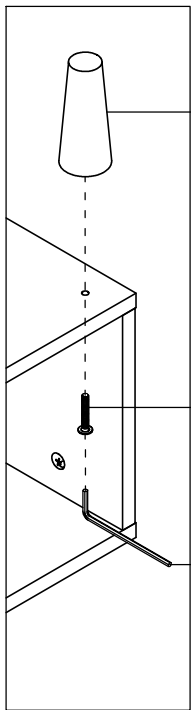
Kx8



Kx8



9



Jx1

Mx1

Lx1

x4

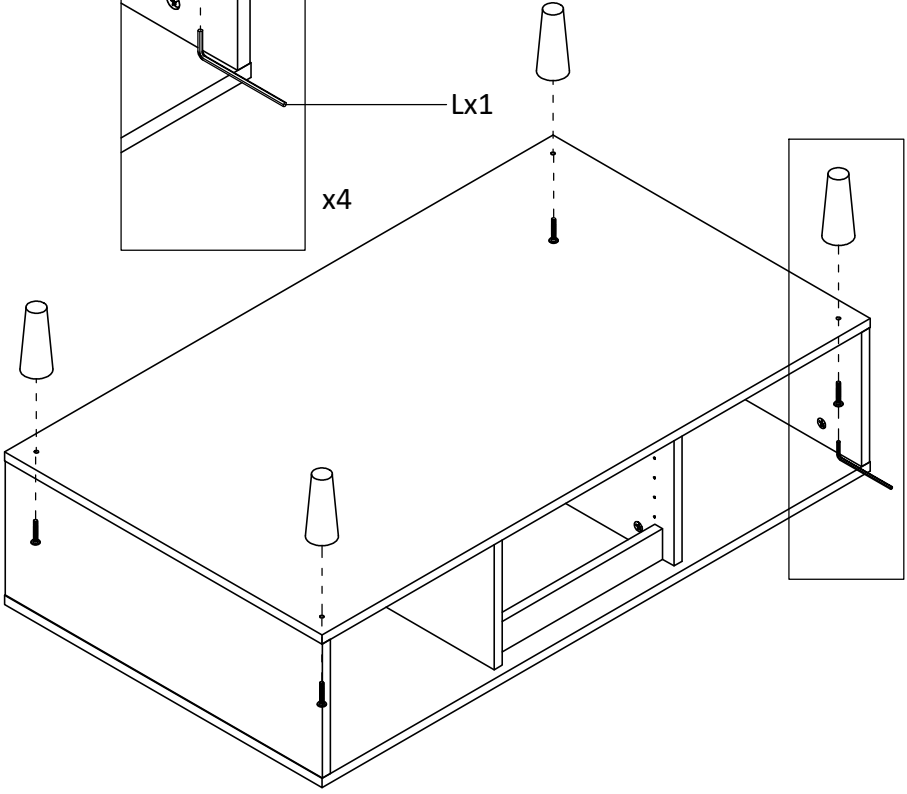
Jx4



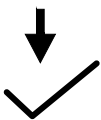
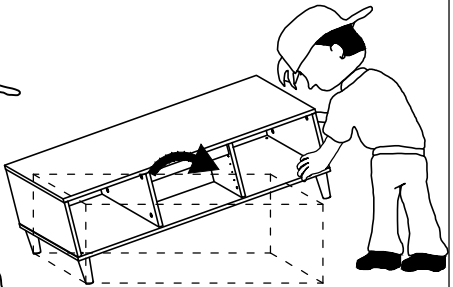
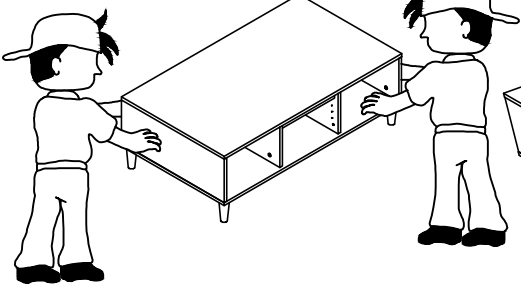
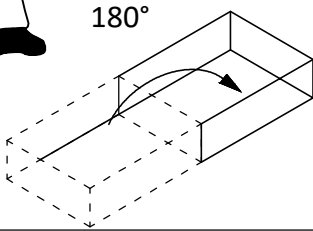
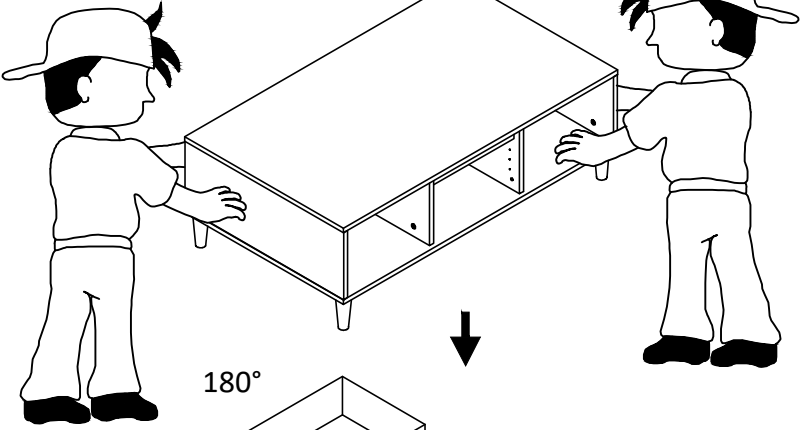
Mx4



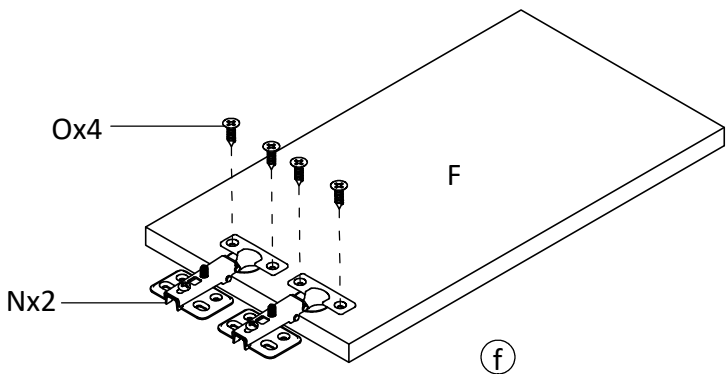
Lx1





10

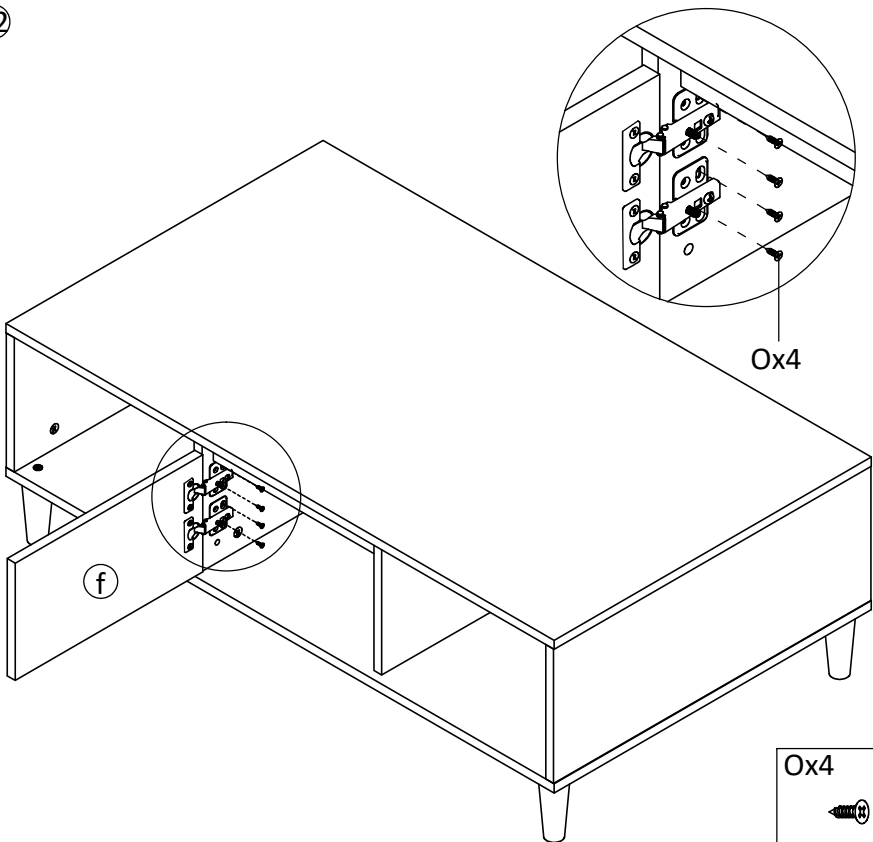



11



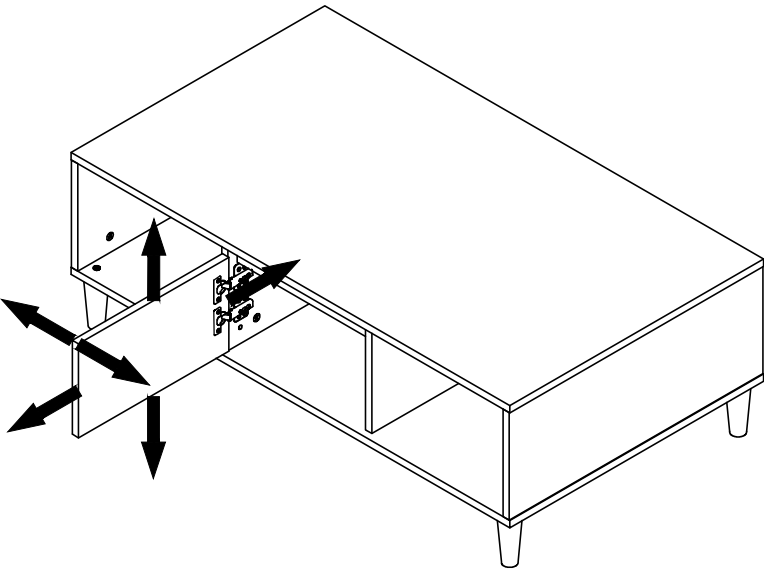
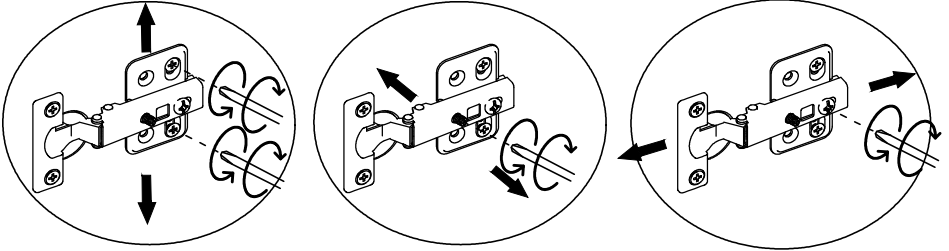
Nx2	
Ox4	

12



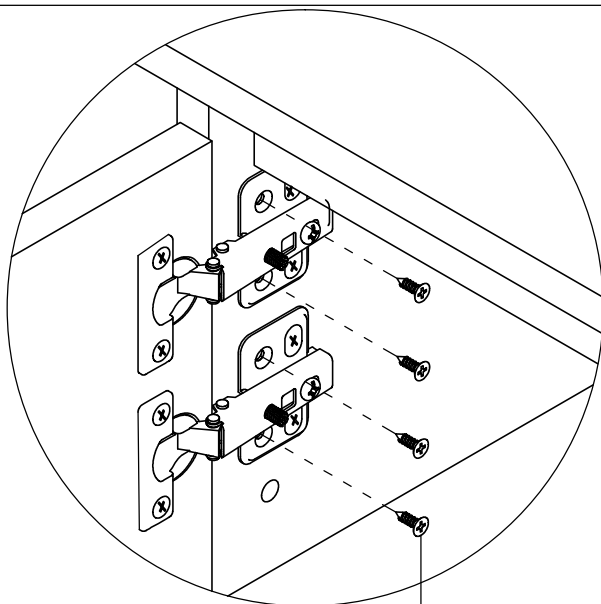
Ox4	
-----	---

13

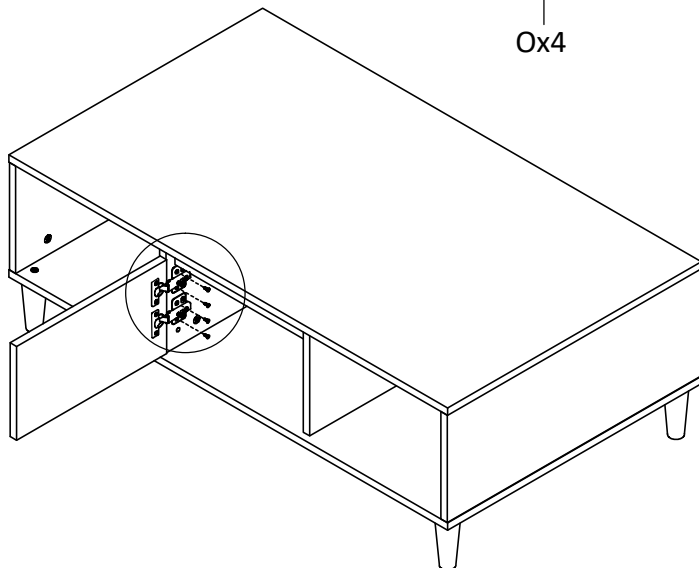


14

Ox4



Ox4



15

