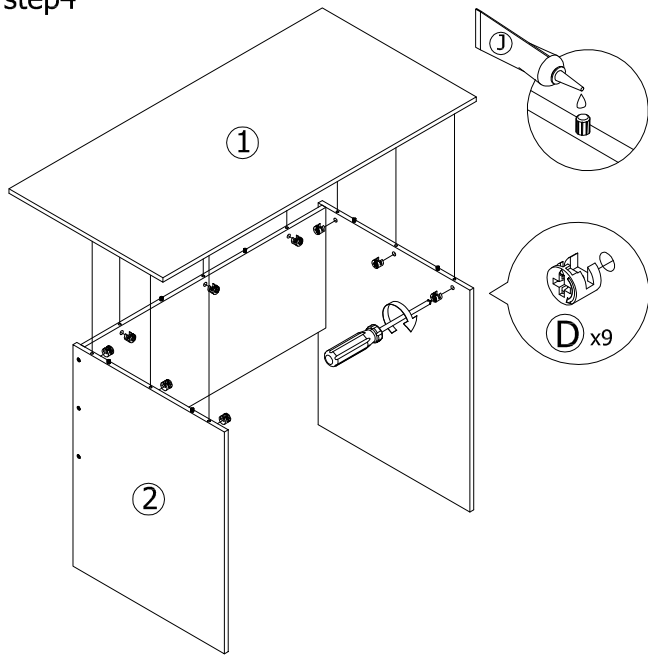
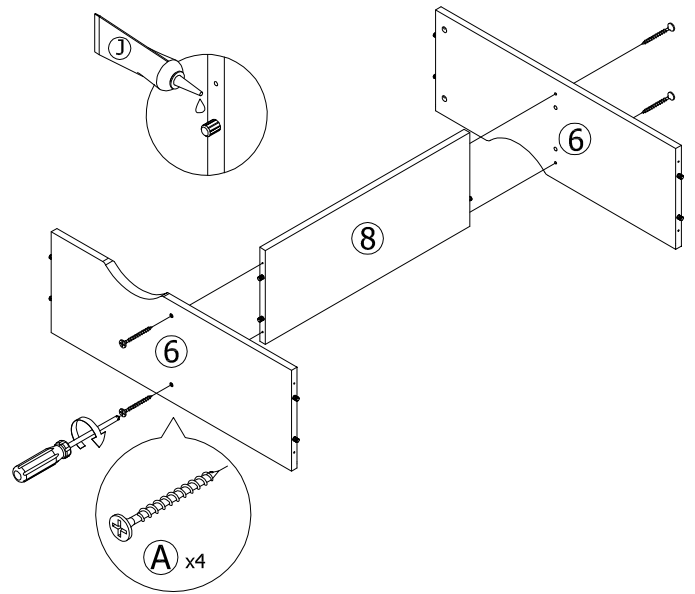


step4

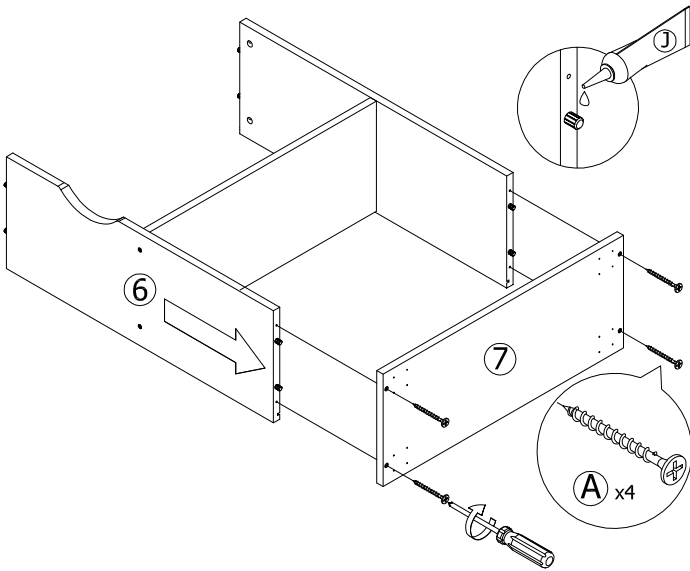


step5

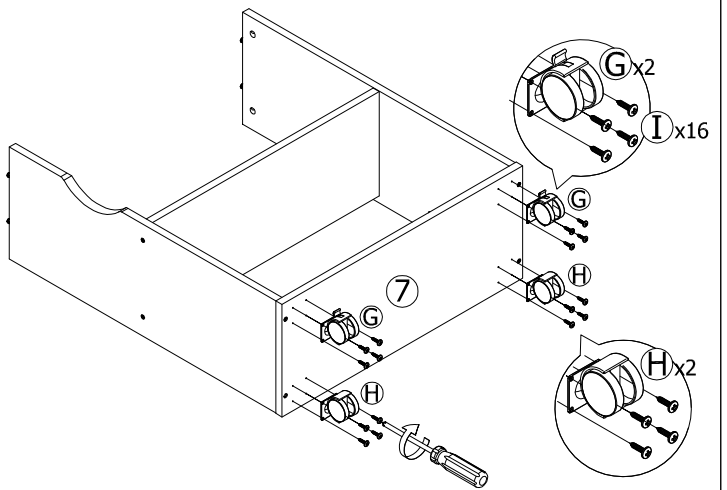
2/3



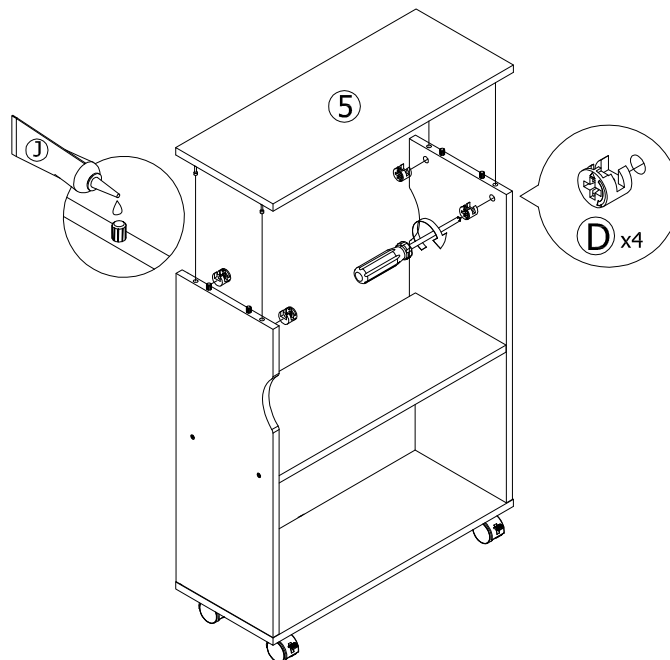
step6



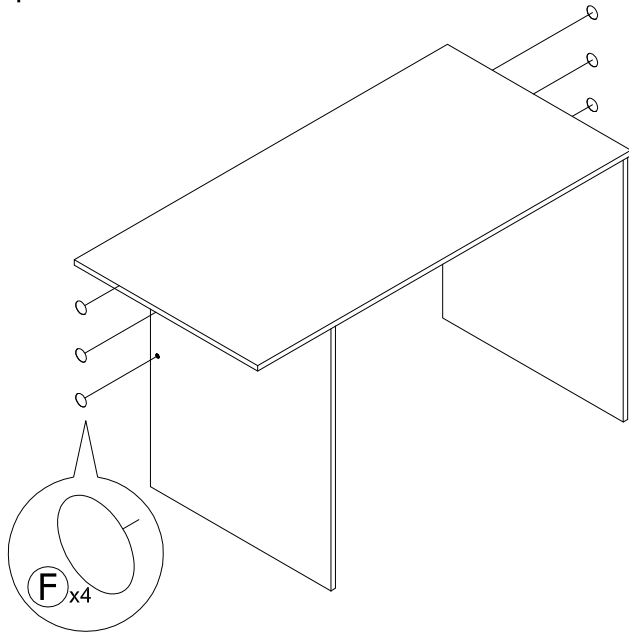
step7



step8

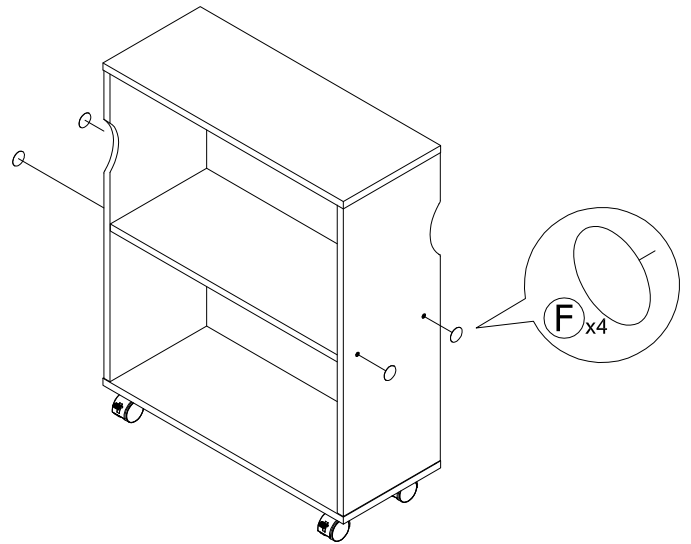


step9

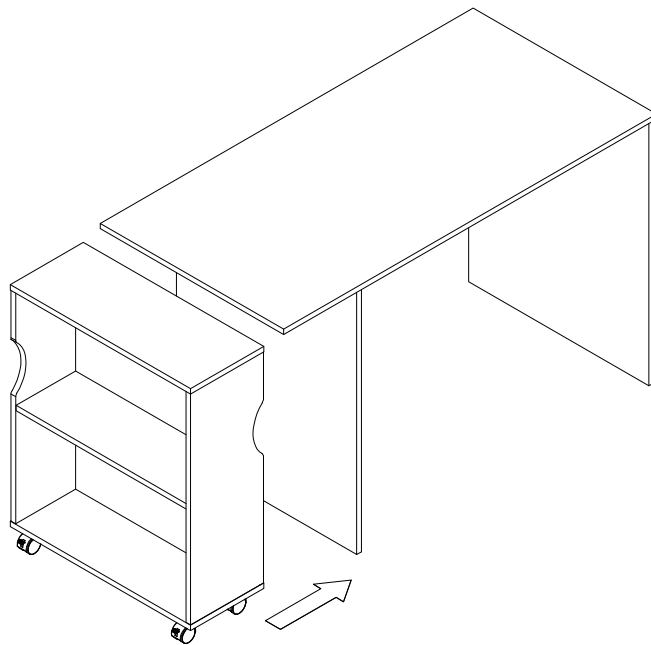


step10

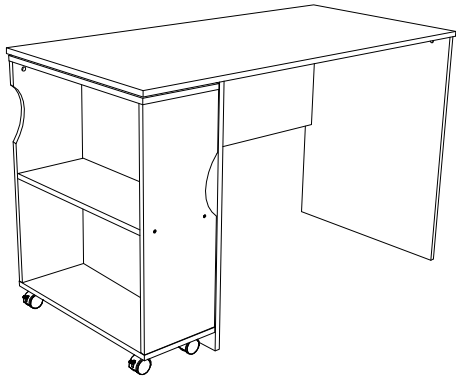
3/3

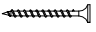











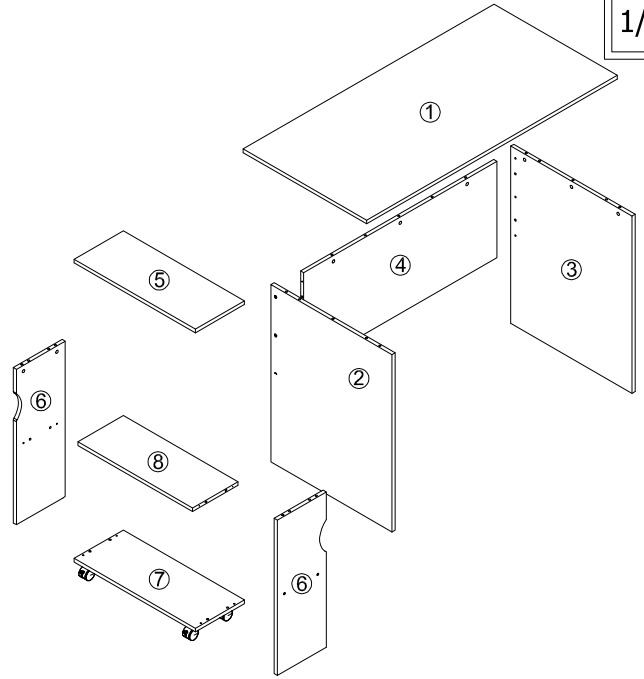
step11



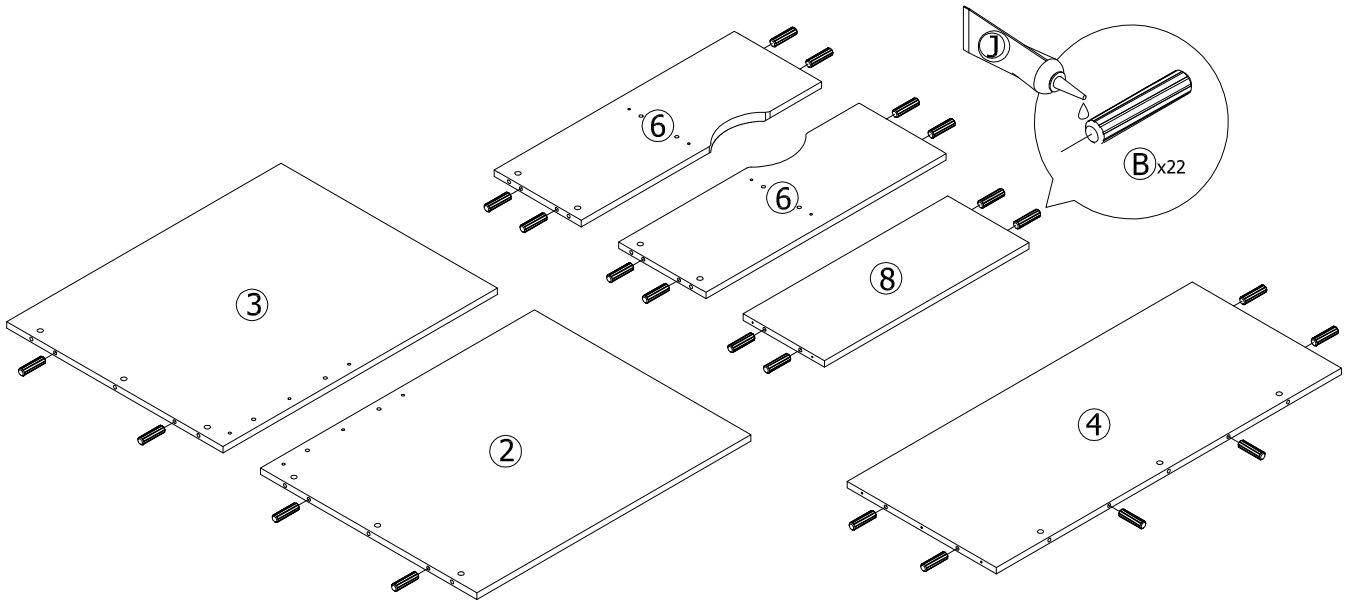
# COMPUTER WITH 2 SHELVES



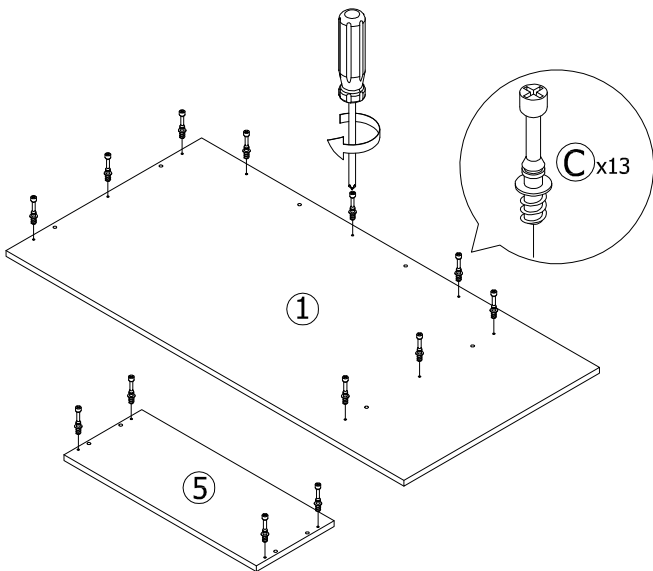
-  **A** x8
-  **B** x22
-  **C** x13
-  **D** x13
-  **E** x6
-  **F** x10
-  **G** x2
-  **H** x2
-  **I** x16
-  **J** x1



## step1



## step2



## step3

