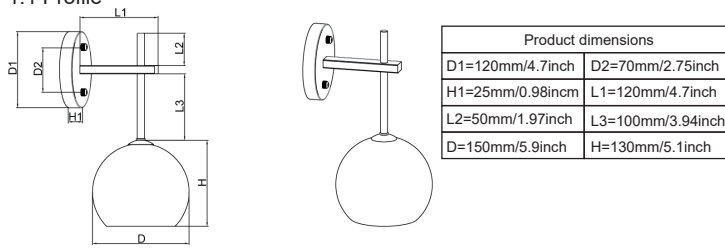


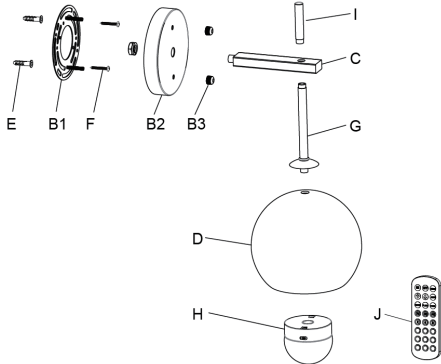
Light Fixture Instruction

1.Product profile & packing

1.1 Profile



1.2 Packing List



NO	Part name	Specification	Quantity
B	Canopy	Includes mounting plate(B1), lamp base(B2) and wire nut (B3)	2
C	Metal Frame B	Copper Plating	2
D	Lampshade	Copper Plating	2
E	Expansion Screws	Plastic	4
F	Self-tapping Screw	ST3.5x30, Cross	4
G	Metal Frame C	Copper Plating	2
H	LED Light Bulb	Rechargeable, magnetic design	2
J	Remote Control	24 keys	2
I	Metal Frame A	Copper Plating	2
k	Charging Cable	Type-C, cable length: 50cm/19.6in	2

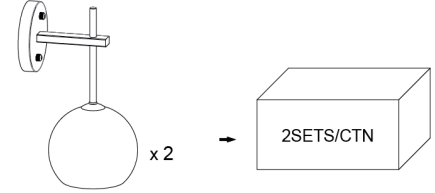


E: Expansion Screws x4 F:Self-tapping Screws x4 J:Remote Control x2 I: Metal Frame A x2 C: Metal Frame B x2



G K:Charging Cable x2 K:Charging Cable x2 H:LED Light Bulb x2 D:Lampshade x2 B:Canopy x2

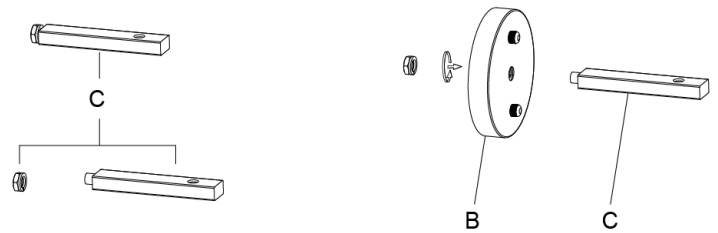
1.3 Packing



2. Installation

Step1: Fix the Metal Frame B (C)

The metal frame B(C) can be disassembled into two parts as shown below. First disassemble the wire nut of metal frame B (C) so that it locks onto canopy(B).



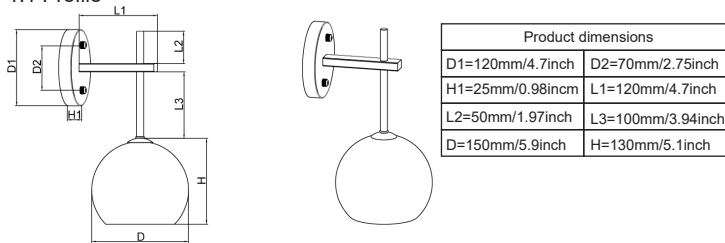
Step2: Fix the Canopy(B)

The canopy(B) can be disassembled into two parts as shown below. Unscrew the screw on the canopy

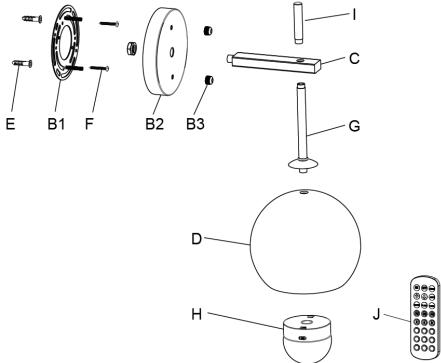
Light Fixture Instruction

1.Product profile & packing

1.1 Profile



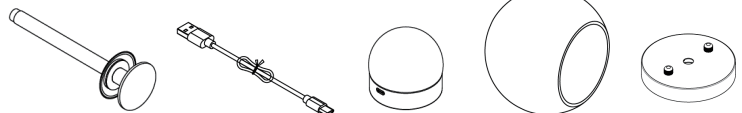
1.2 Packing List



NO	Part name	Specification	Quantity
B	Canopy	Includes mounting plate(B1), lamp base(B2) and wire nut (B3)	2
C	Metal Frame B	Copper Plating	2
D	Lampshade	Copper Plating	2
E	Expansion Screws	Plastic	4
F	Self-tapping Screw	ST3.5x30, Cross	4
G	Metal Frame C	Copper Plating	2
H	LED Light Bulb	Rechargeable, magnetic design	2
J	Remote Control	24 keys	2
I	Metal Frame A	Copper Plating	2
k	Charging Cable	Type-C, cable length: 50cm/19.6in	2

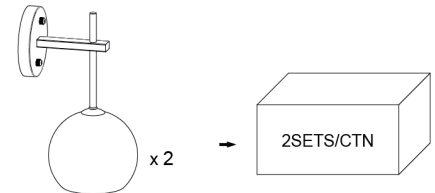


E: Expansion Screws x4 F:Self-tapping Screws x4 J:Remote Control x2 I: Metal Frame A x2 C: Metal Frame B x2



G K:Charging Cable x2 K:Charging Cable x2 H:LED Light Bulb x2 D:Lampshade x2 B:Canopy x2

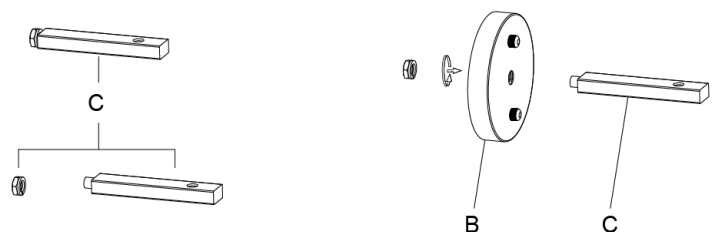
1.3 Packing



2. Installation

Step1: Fix the Metal Frame B (C)

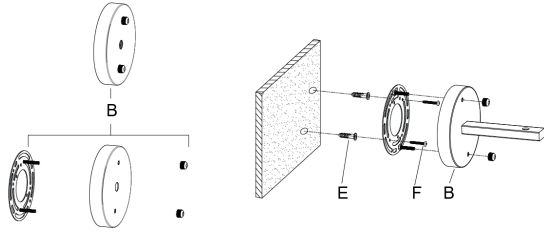
The metal frame B(C) can be disassembled into two parts as shown below. First disassemble the wire nut of metal frame B (C) so that it locks onto canopy(B).



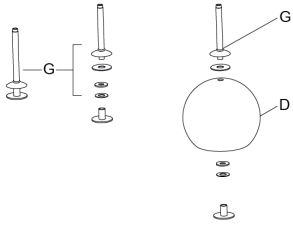
Step2: Fix the Canopy(B)

The canopy(B) can be disassembled into two parts as shown below. Unscrew the screw on the canopy

Install the expansion screws(E) after confirming the mounting position, then lock the mounting plate by putting the self-tapping screws(F) through the mounting holes on the mounting plate and tighten the wire nuts.



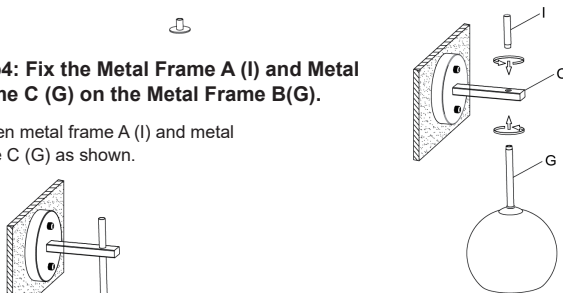
Step3: Assemble the Lampshade (D)



The metal frame B can be disassembled into five parts as shown below. After disassembling metal frame B (G), assemble the lampshade (D) as shown in the picture.

Step4: Fix the Metal Frame A (I) and Metal Frame C (G) on the Metal Frame B(G).

Tighten metal frame A (I) and metal frame C (G) as shown.

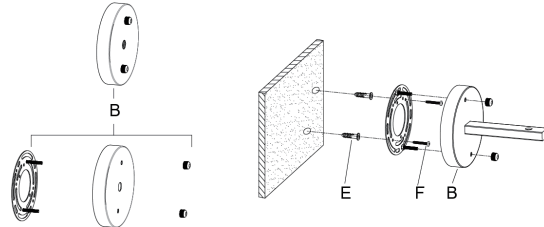


Step5: Install the LED Light Bulb (H)

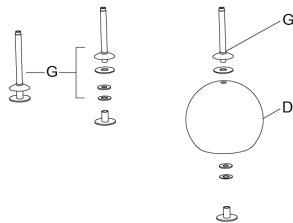
Attach the rechargeable LED light bulb(H) to the metal head of metal frame B(G) as shown.



Install the expansion screws(E) after confirming the mounting position, then lock the mounting plate by putting the self-tapping screws(F) through the mounting holes on the mounting plate and tighten the wire nuts.



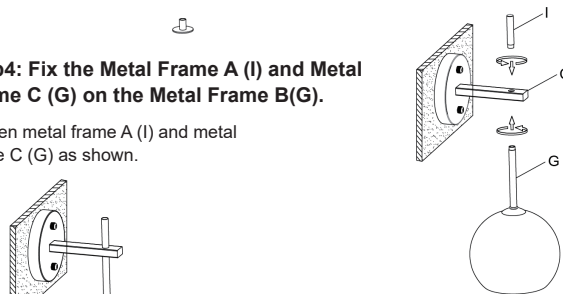
Step3: Assemble the Lampshade (D)



The metal frame B can be disassembled into five parts as shown below. After disassembling metal frame B (G), assemble the lampshade (D) as shown in the picture.

Step4: Fix the Metal Frame A (I) and Metal Frame C (G) on the Metal Frame B(G).

Tighten metal frame A (I) and metal frame C (G) as shown.



Step5: Install the LED Light Bulb (H)

Attach the rechargeable LED light bulb(H) to the metal head of metal frame B(G) as shown.

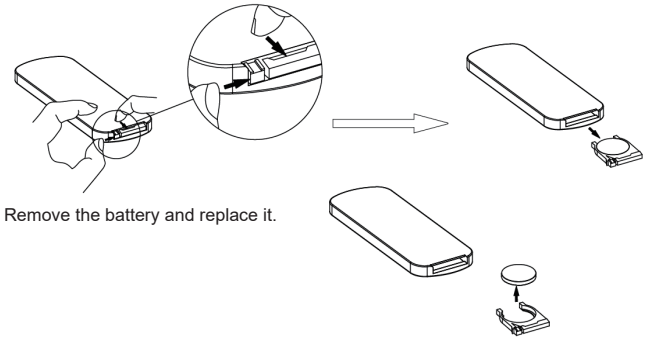


Step6: Guide for Remote Controller(J)

1.Please remove the insulation tabs from the Remote Controller before usage.

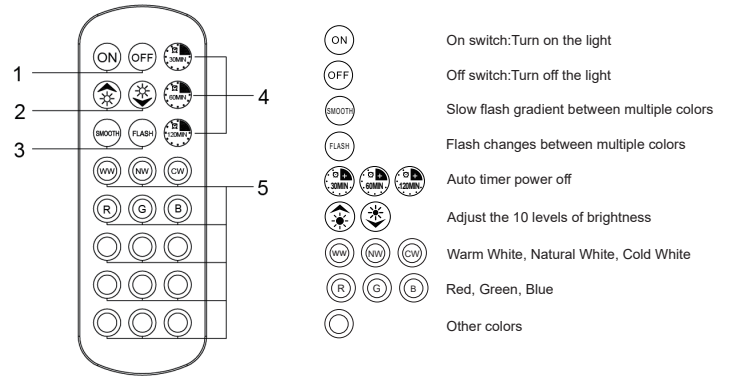


2.Battery replacement operation. Pull out the bracket where the battery is mounted.



Remove the battery and replace it.

3.The Operation of the Remote Control- Function introduction



Tips:

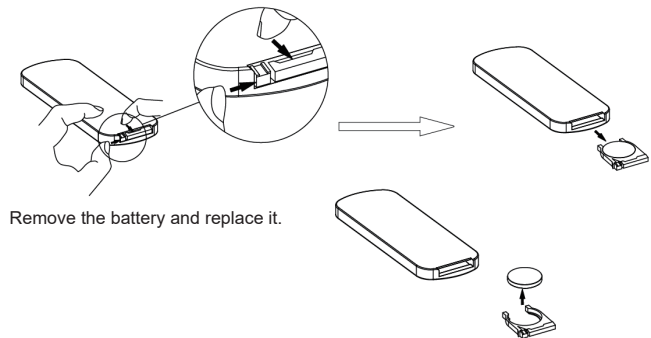
*Please clean the surface of the light fixture with a dry or slightly damp clean cloth (use clean water, never a solvent)

Step6: Guide for Remote Controller(J)

1.Please remove the insulation tabs from the Remote Controller before usage.

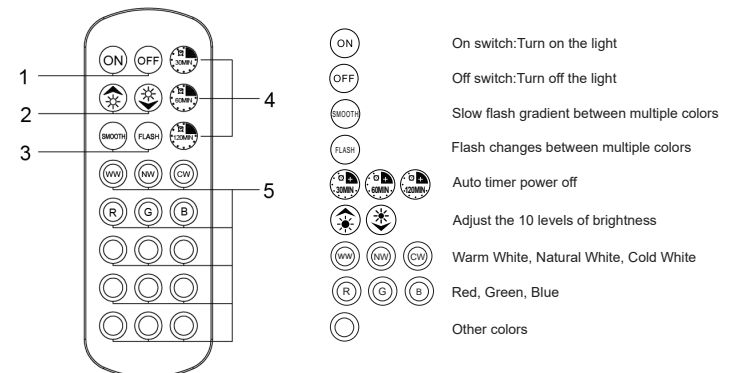


2.Battery replacement operation. Pull out the bracket where the battery is mounted.



Remove the battery and replace it.

3.The Operation of the Remote Control- Function introduction



Tips:

*Please clean the surface of the light fixture with a dry or slightly damp clean cloth (use clean water, never a solvent)