

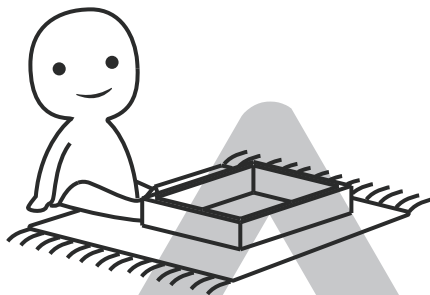
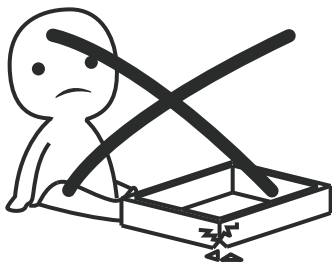
INSTALLATION

Product Manual



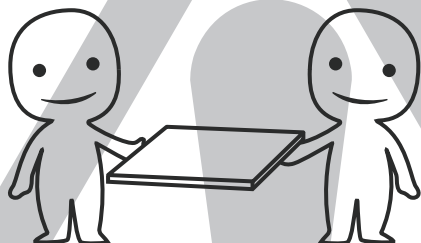
IMPORTANT INFORMATION!

Please read the entire manual before starting to assemble and/or using this product. Follow the manual thoroughly and keep it for further reference.



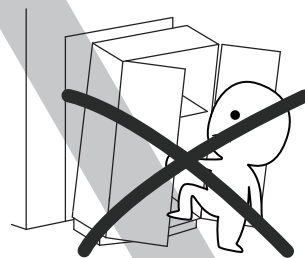
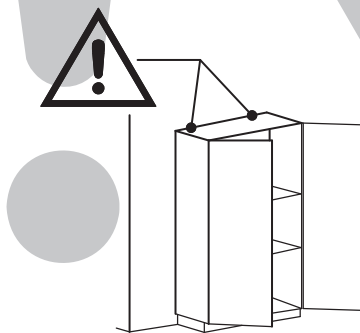
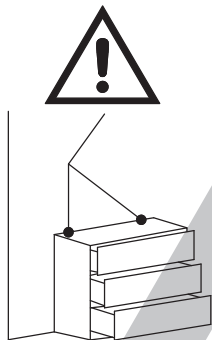
AVOID SCRATCHES!

In order to avoid scratching this furniture should be assembled on a soft layer-could be a rug.



IMPROVE EFFICIENCY !

Try to find a partner to install with you, which can speed up the installation efficiency and shorten the time.



ANTI-TOPPLE WARNING !

Overturned furniture can cause serious or fatal crush injuries. To prevent tipping over, be sure to use the wall attachment, if not included with this product. Please purchase the wall attachment that fit your wall. If unsure, seek professional advice. Please read and follow each step of the instructions carefully.

IMPORTANT !

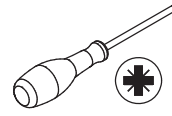
It is important that any product which is assembled using any kind of screw is re-tightened 2 weeks after assembly, and once every 3 months - in order to assure stability through-out the lifespan of the product.

For regular maintenance and cleaning of the product, for the frame, please use a rag dipped in neutral detergent to fully wipe it, and then dry it with a clean rag. For glass materials, wipe with a rag dampened with water glass cleaner, and then dry with a dry rag.

Do not use an electric screwdriver, and do not use too much force when installing, because the board is easy to break.

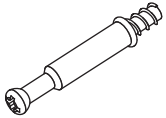


Please prepare the following tools



When installing, please carefully confirm whether each screw corresponds to the manual, accessories with similar shapes can be distinguished by size

A x 64+4



Ø6 x 35 mm

B x 64+4



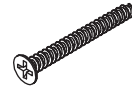
Ø15 x 10 mm

C x 24+2



Ø6 x 30 mm

D x 62+4



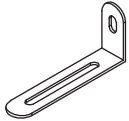
Ø4 x 35 mm

E x 84+4



Ø3.5 x 12 mm

F x 2



G x 2



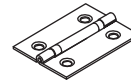
Ø4 x 12 mm

H x 16+2



Ø4 x 8 mm

J x 5



K x 30+3



Ø3 x 12 mm

L x 18+2



M x 18+2



Ø3 x 14 mm

N x 1



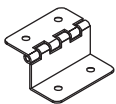
P x 8



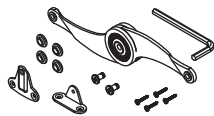
Q x 6



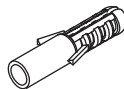
R x 2



S x 2



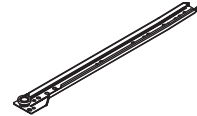
T x 2



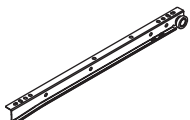
CL x 7



CR x 7

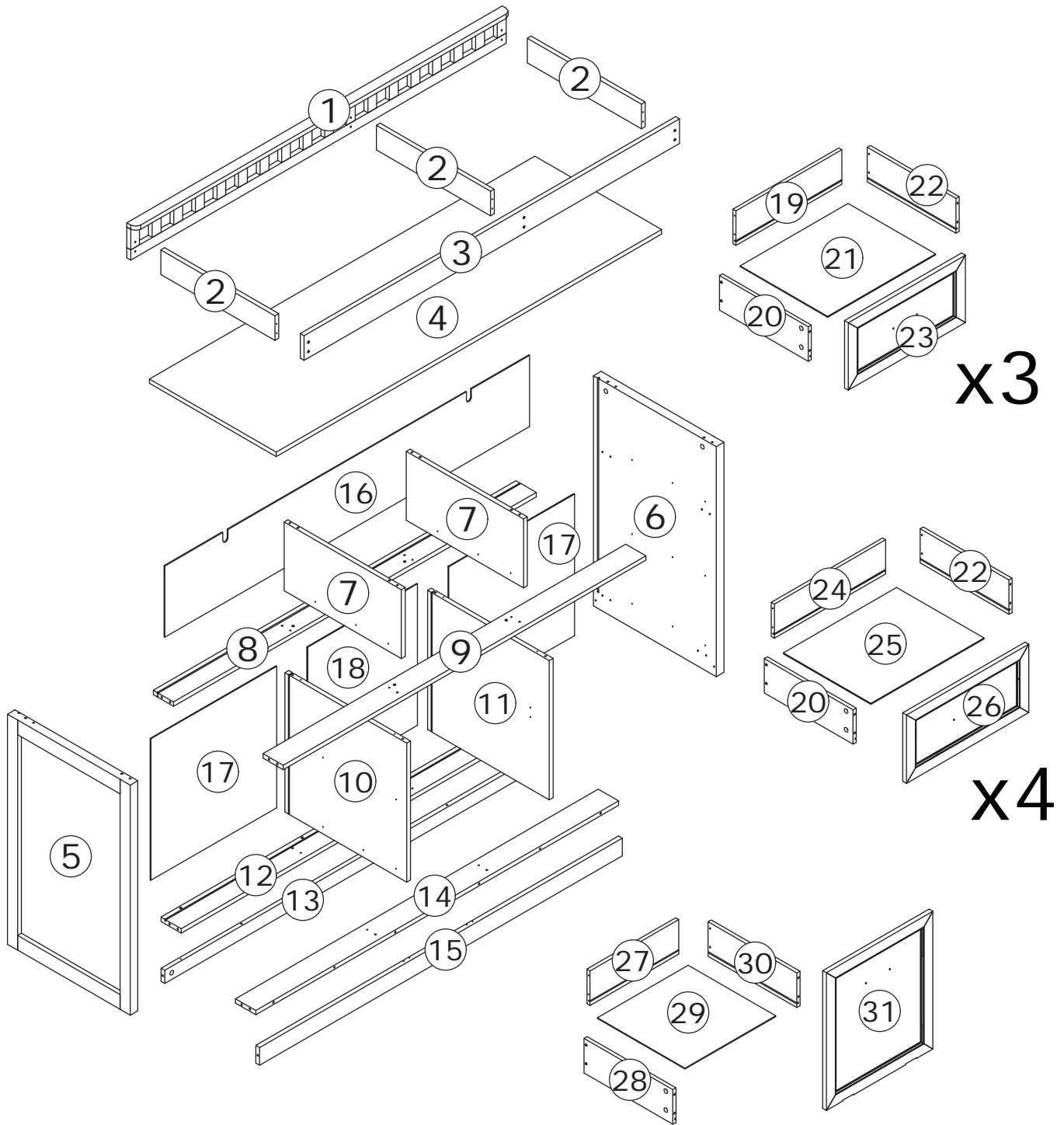


DL x 7



DR x 7





⚠ WARNING

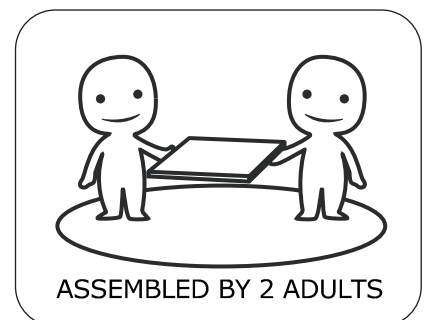


Children have died from furniture tipover. To reduce the risk of furniture tipover:

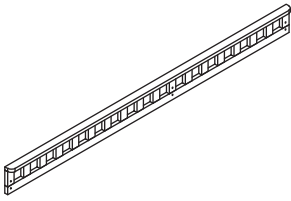
- ALWAYS install Anti-tip device provided.
- NEVER put a TV on this product.
- NEVER allow children to stand, climb or hang on drawers, doors, or shelves.
- NEVER open more than one drawer at a time.
- Place heaviest items in the lowest drawers.



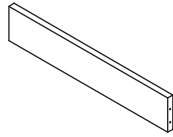
*This is a permanent label.
Do not remove!*



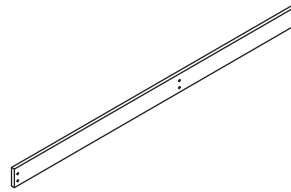
① x 1



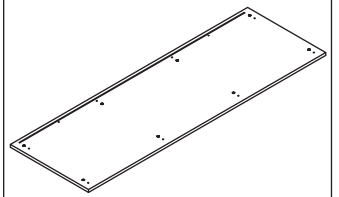
② x 3



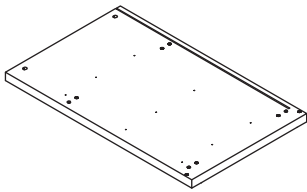
③ x 1



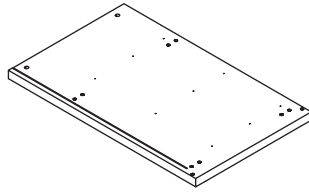
④ x 1



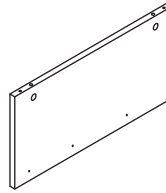
⑤ x 1



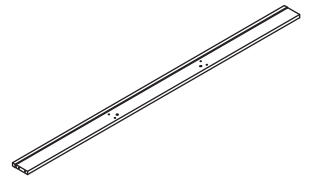
⑥ x 1



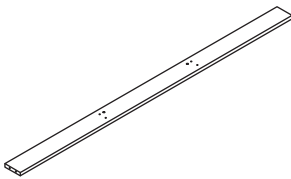
⑦ x 2



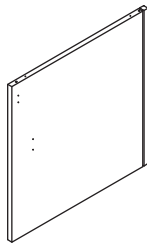
⑧ x 1



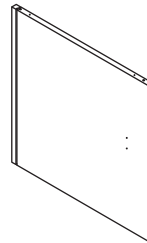
⑨ x 1



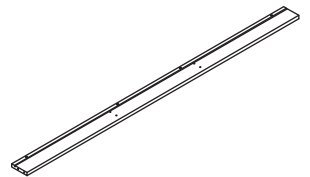
⑩ x 1



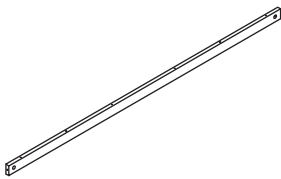
⑪ x 1



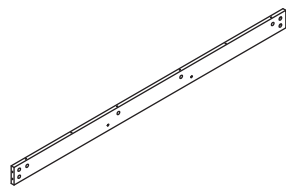
⑫ x 1



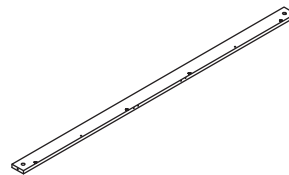
⑬ x 1



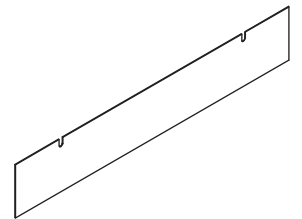
⑭ x 1



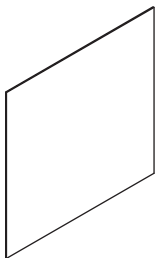
⑮ x 1



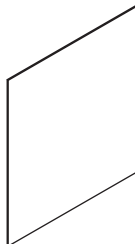
⑯ x 1



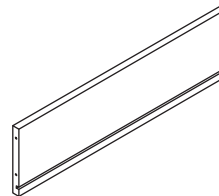
⑰ x 2



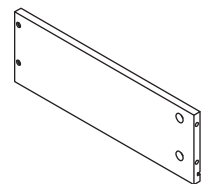
⑱ x 1



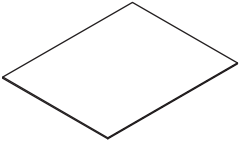
⑲ x 3



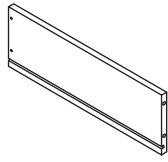
⑳ x 7



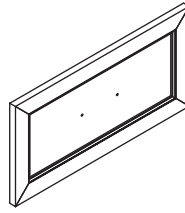
21 x 3



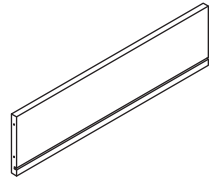
22 x 7



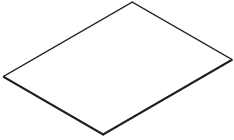
23 x 1



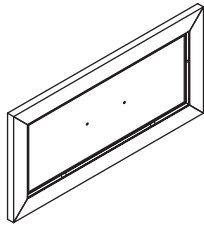
24 x 4



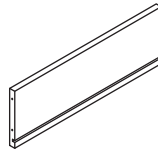
25 x 4



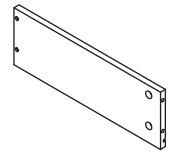
26 x 4



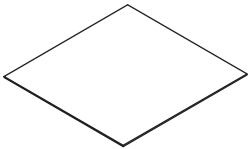
27 x 1



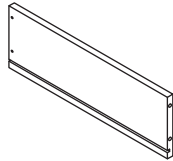
28 x 1



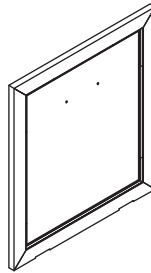
29 x 1






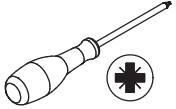
30 x 1



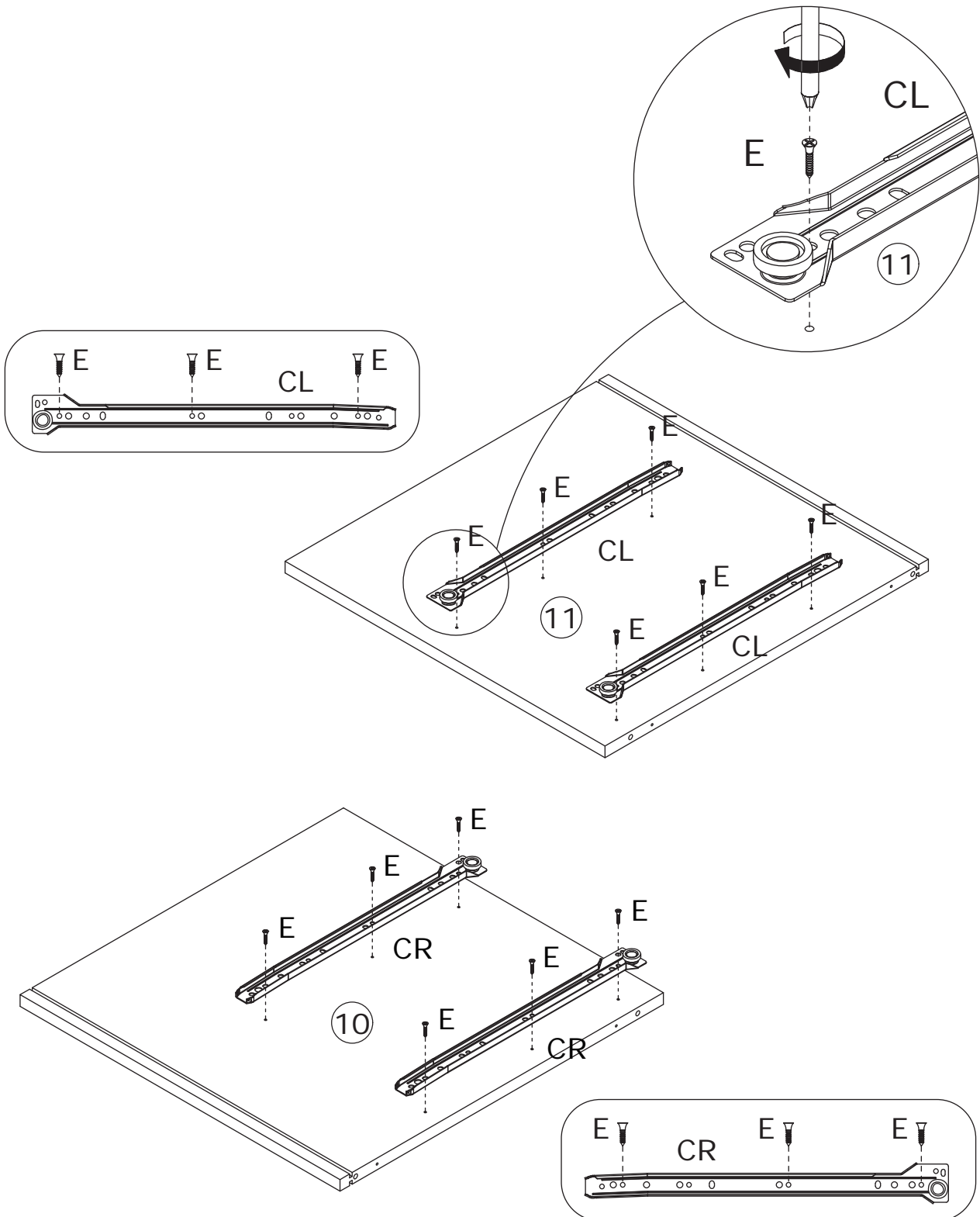
31 x 1



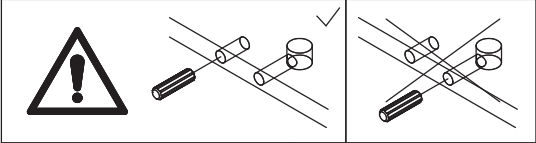
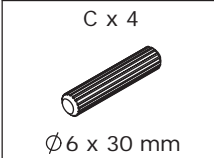
1

E x 12  Ø3.5 x 12 mm	CL x 2 	CR x 2 	
---	---	---	---

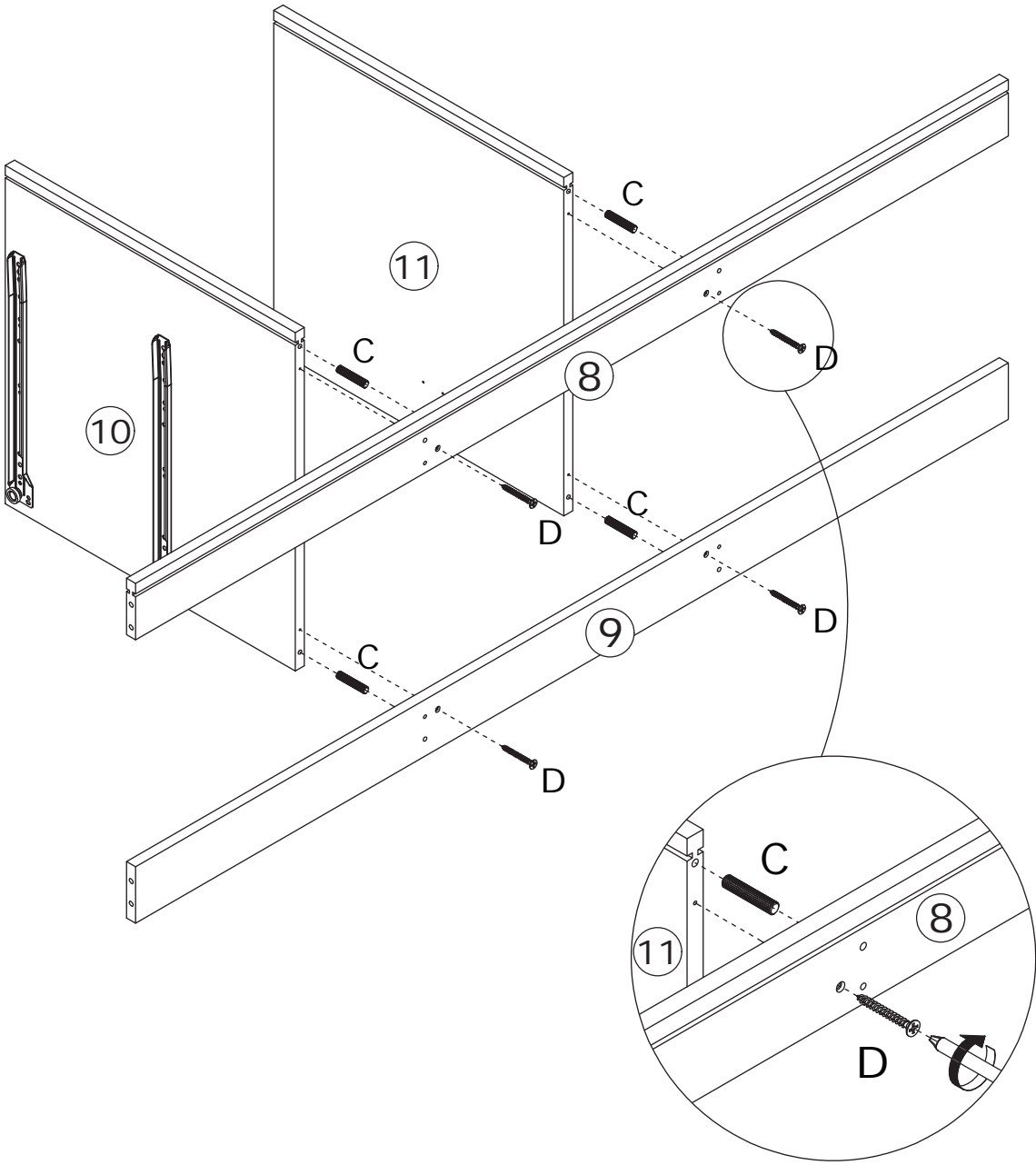
Secure the guide rail CL to part 11 using screw E.
Secure the guide rail CR to part 10 using screw E.



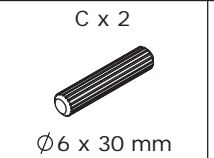
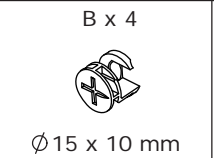
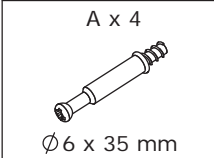
2



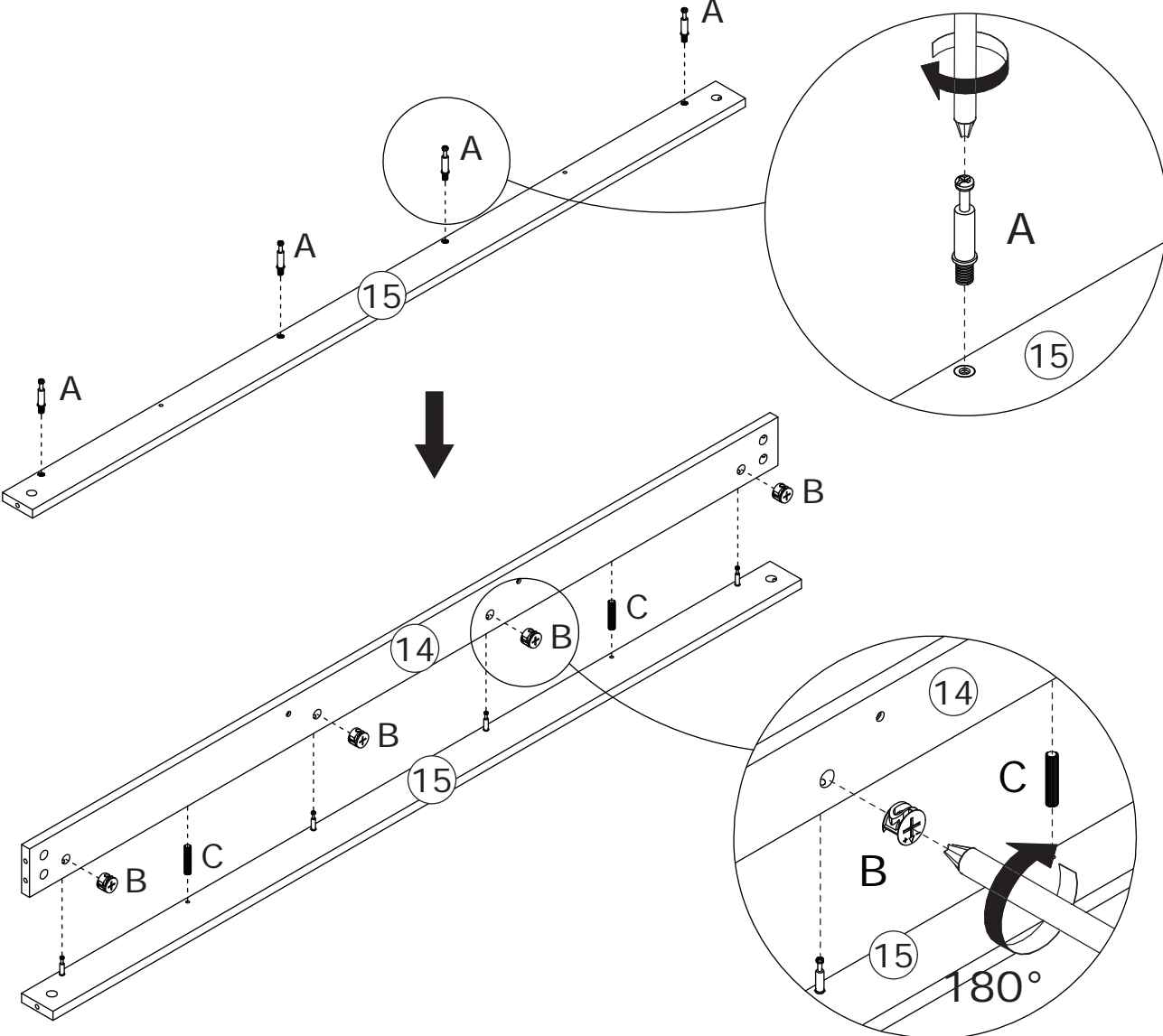
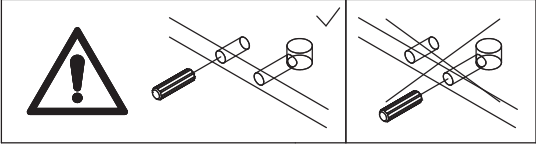
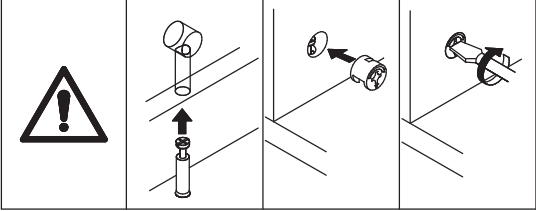
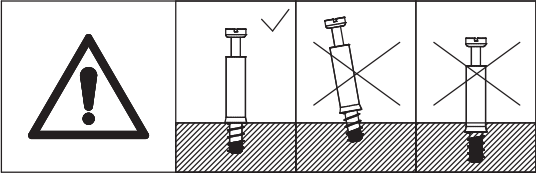
Connect part 8 and 9 to part 10 and 11 using dowel C, then secure them with screw D.



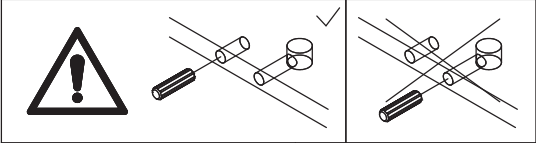
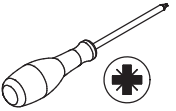
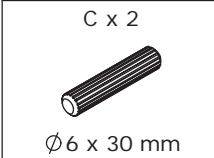
3



Screw eccentric rod A into part 15, as shown. Connect part 15 to part 14 using dowel C, then tighten by turning eccentric cam B clockwise, as shown.

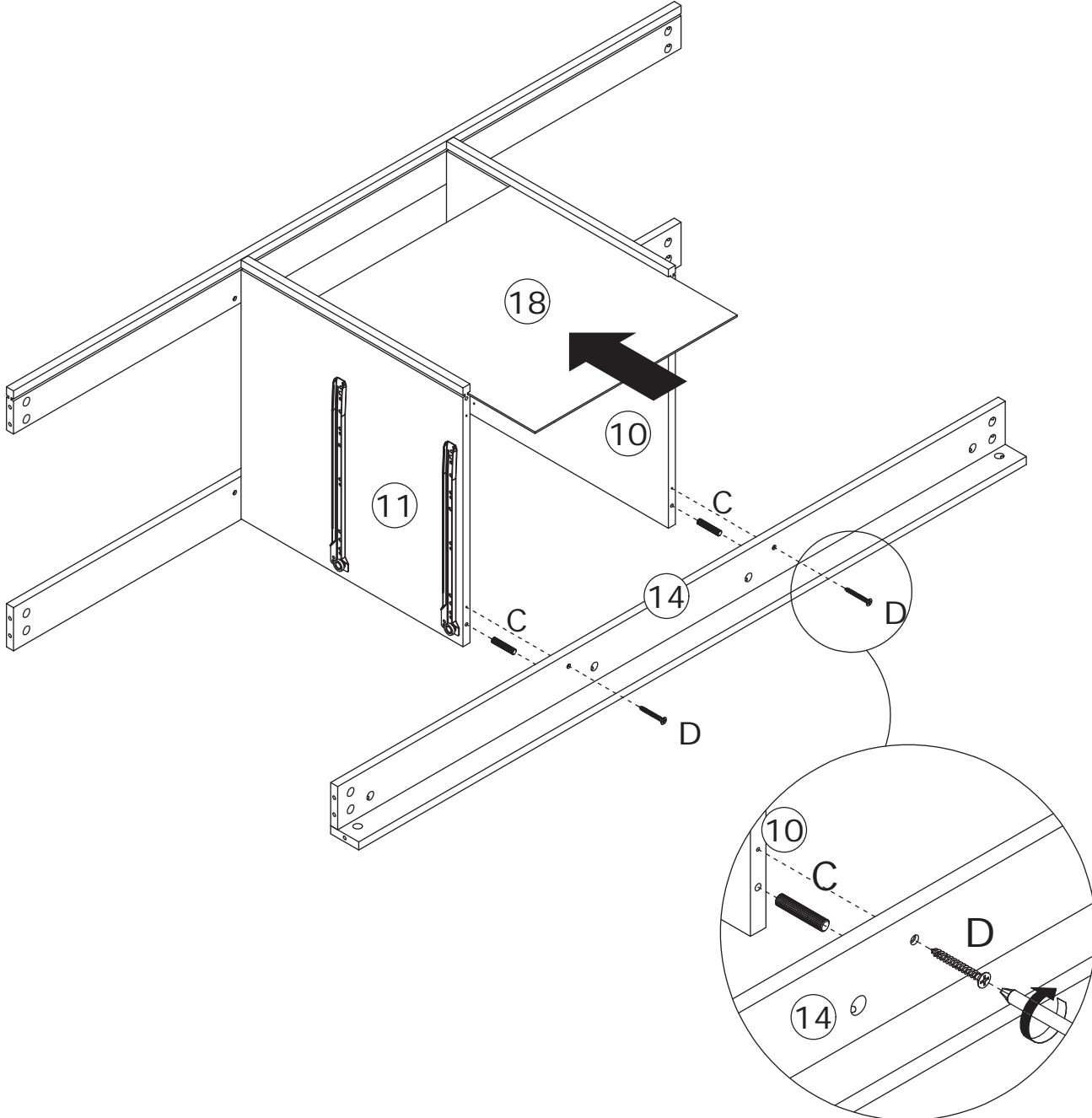


4

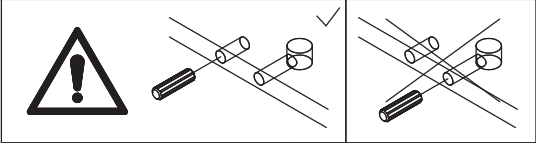
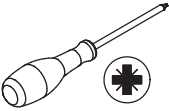
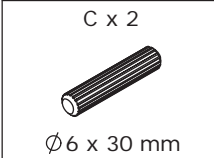


Insert part 18 along the available grooves first.

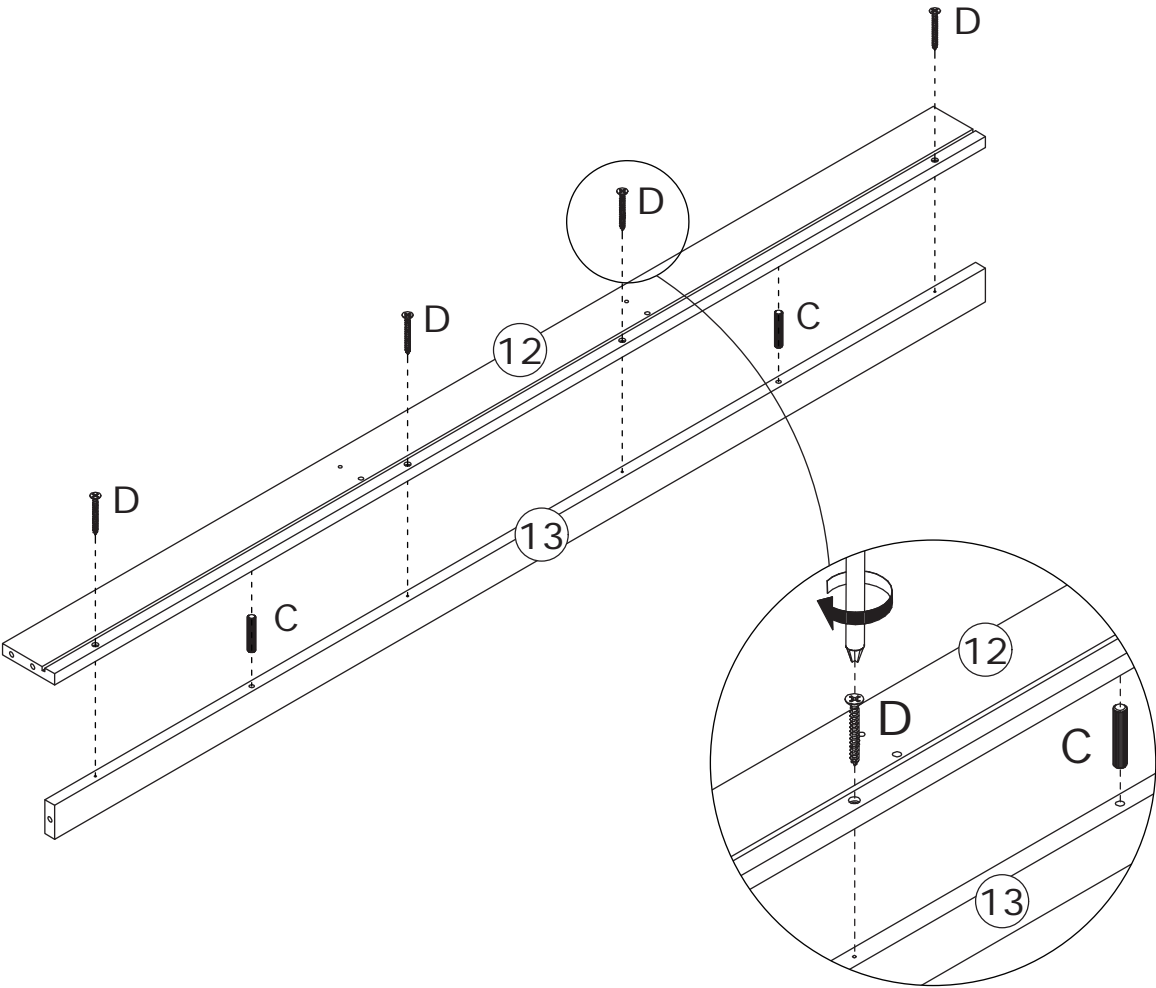
Connect part 14 to part 10 and 11 using dowel C, then secure them with screw D, as shown.



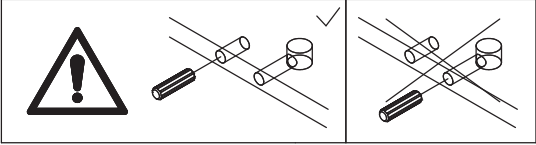
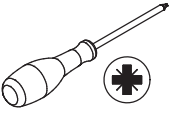
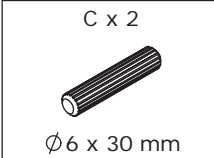
5



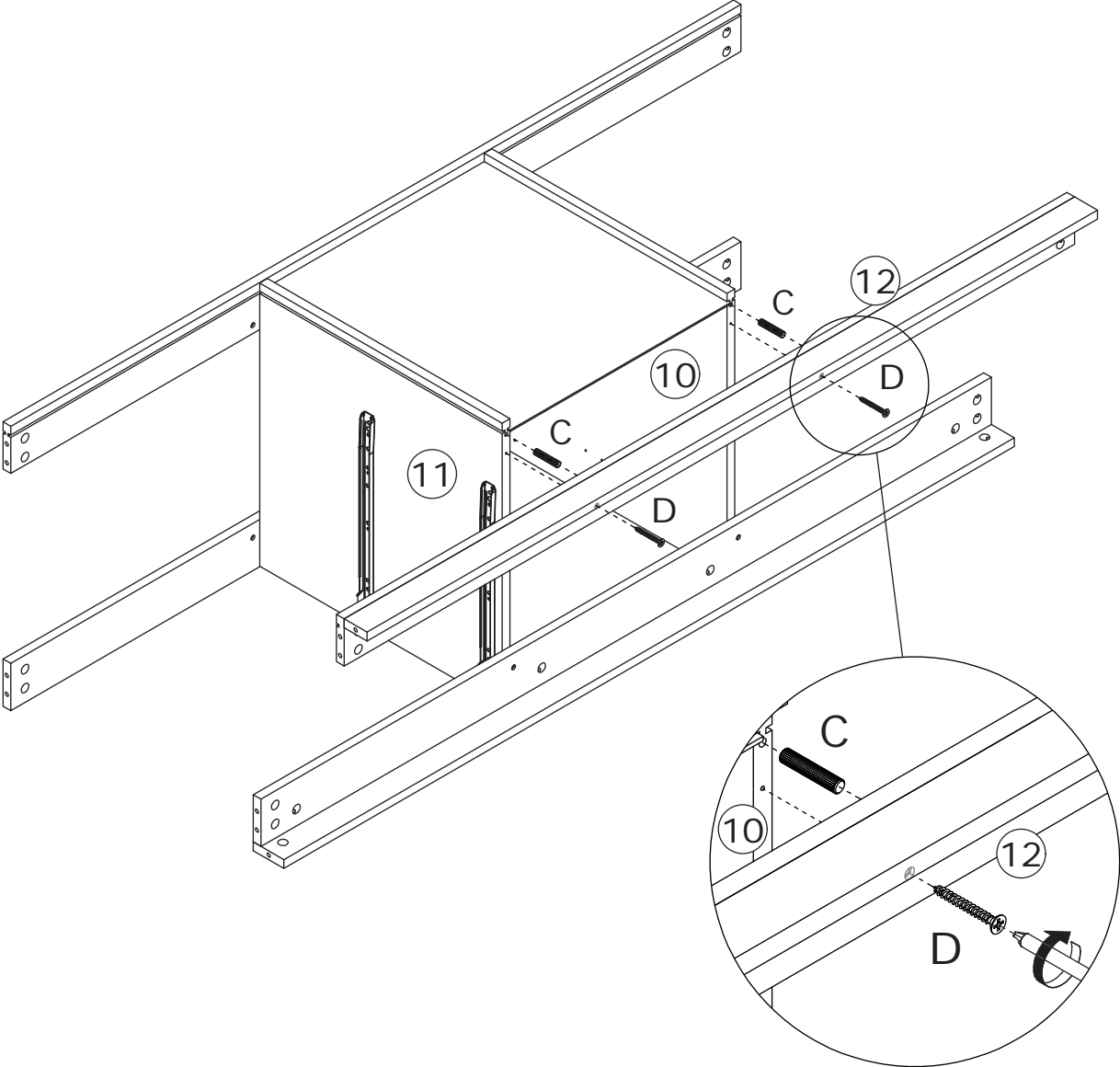
Connect part 12 and 13 using dowel C, then secure them with screw D, as shown.



6



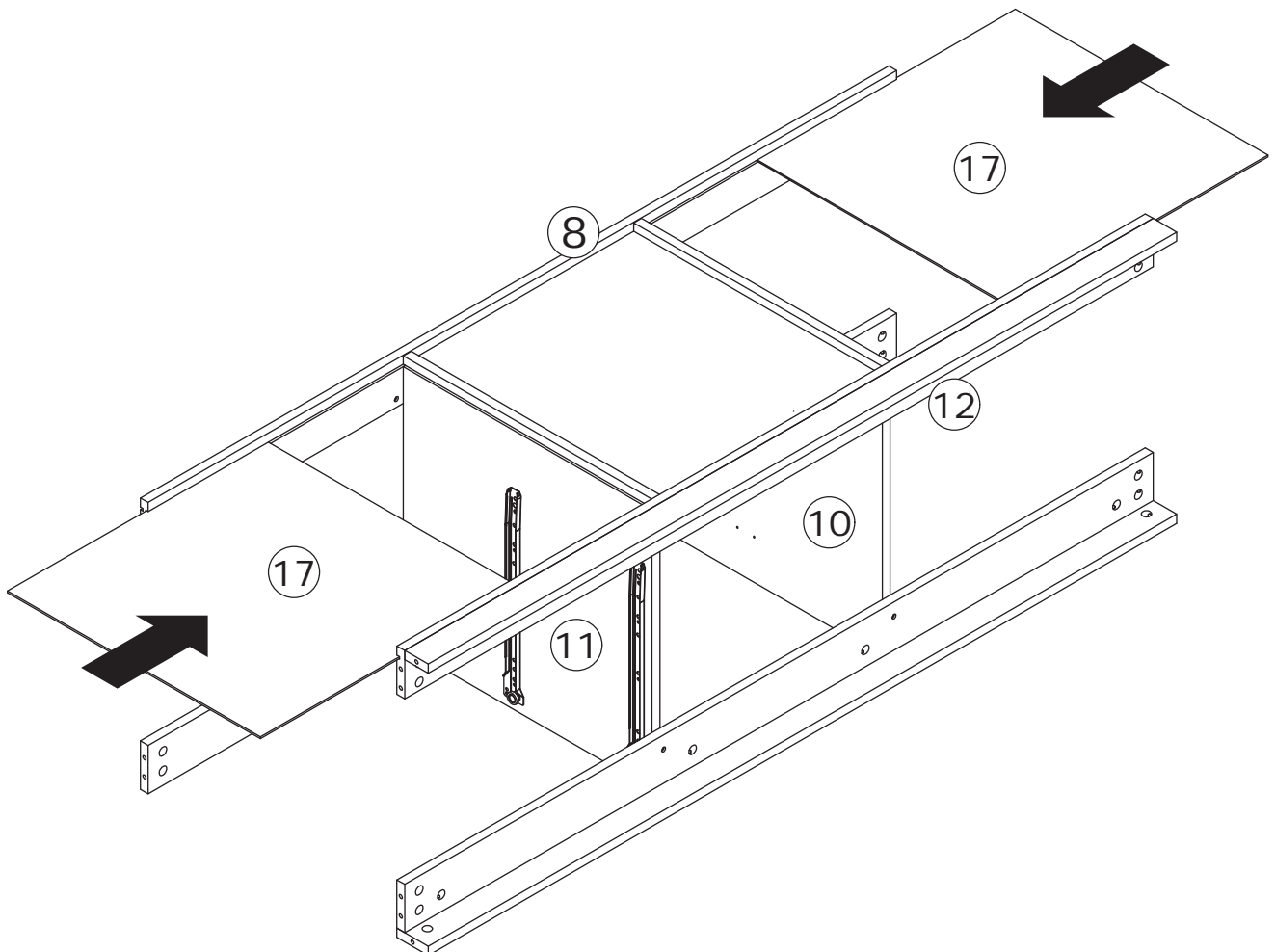
Connect part 12 to part 10 and 11 using dowel C, then secure them with screw D, as shown.



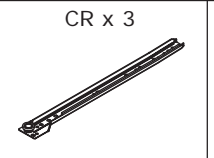
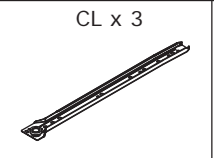
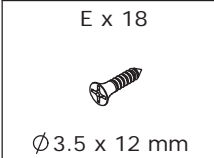
7



Insert part 17 along the available grooves.

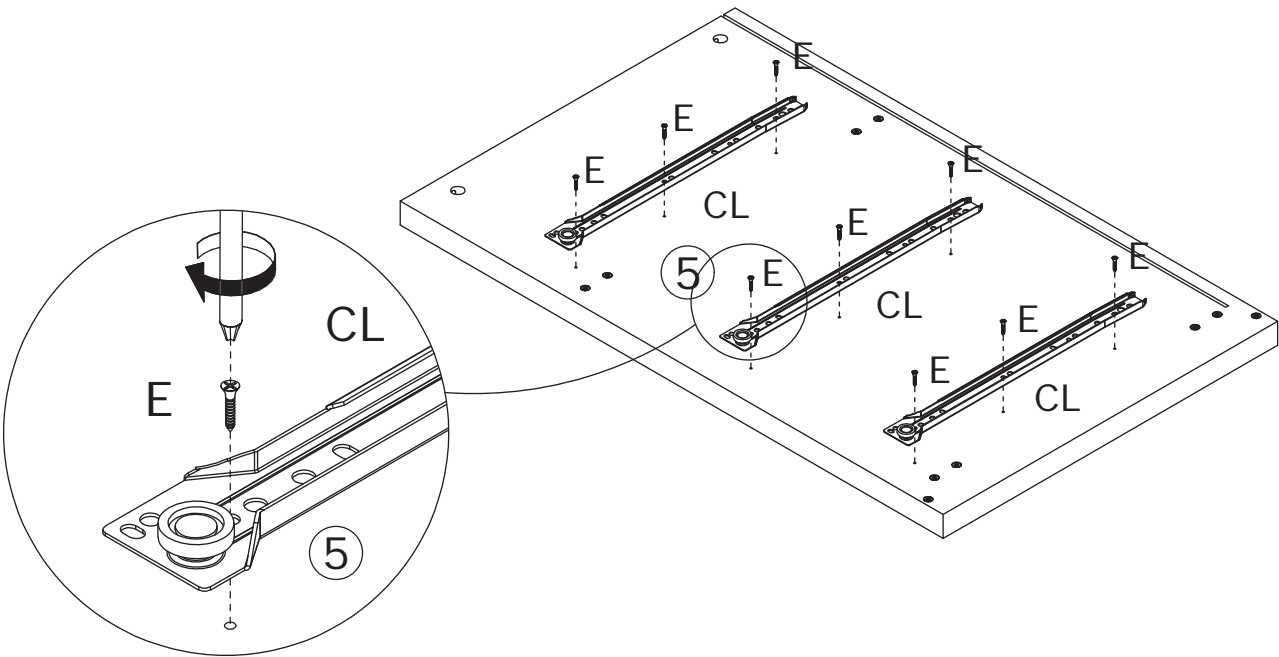
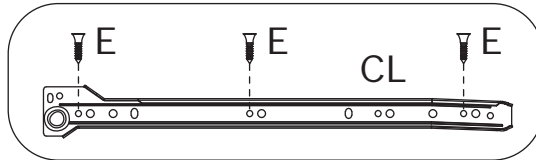
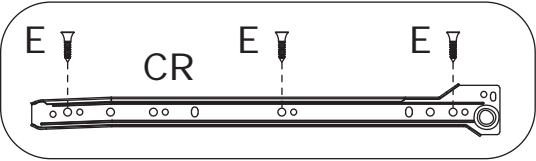
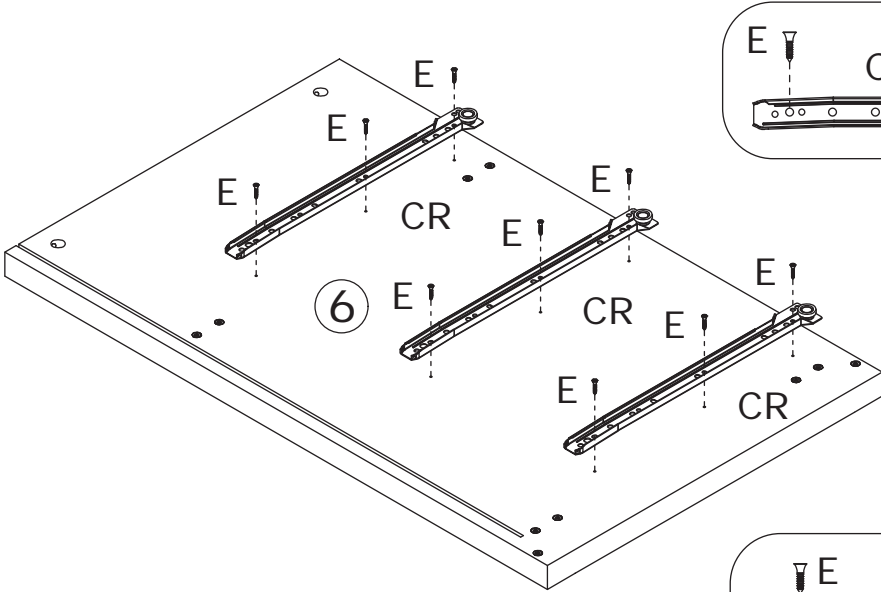


8



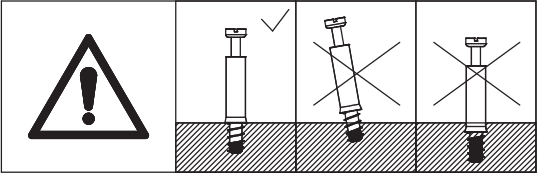
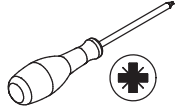
Secure the guide rail CR to part 6 using screw E.
Secure the guide rail CL to part 5 using screw E.

- Please note that the screw position of this guide rail is different from the others.

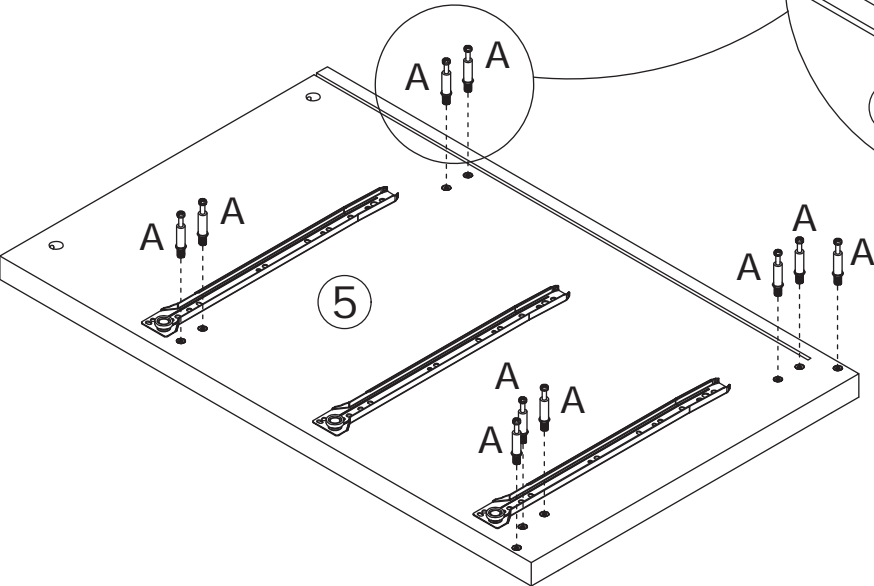
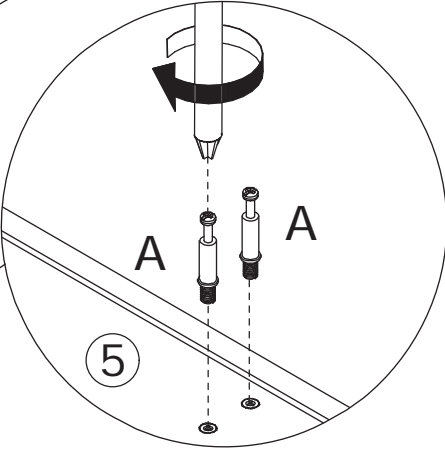
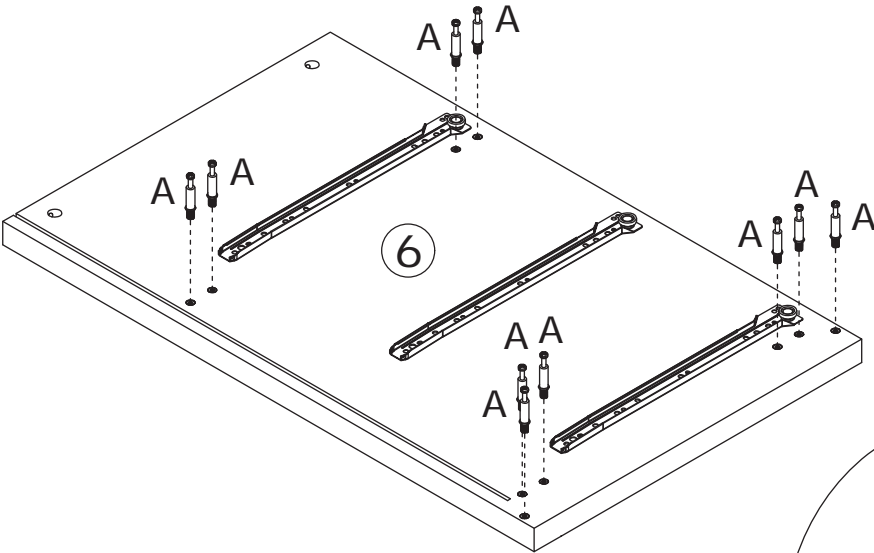


9

A x 20
Ø6 x 35 mm



Screw eccentric rod A into part 5 and 6, as shown.

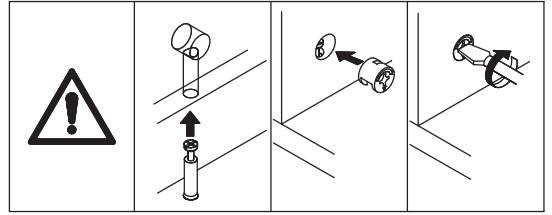
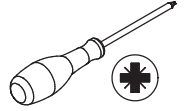


10

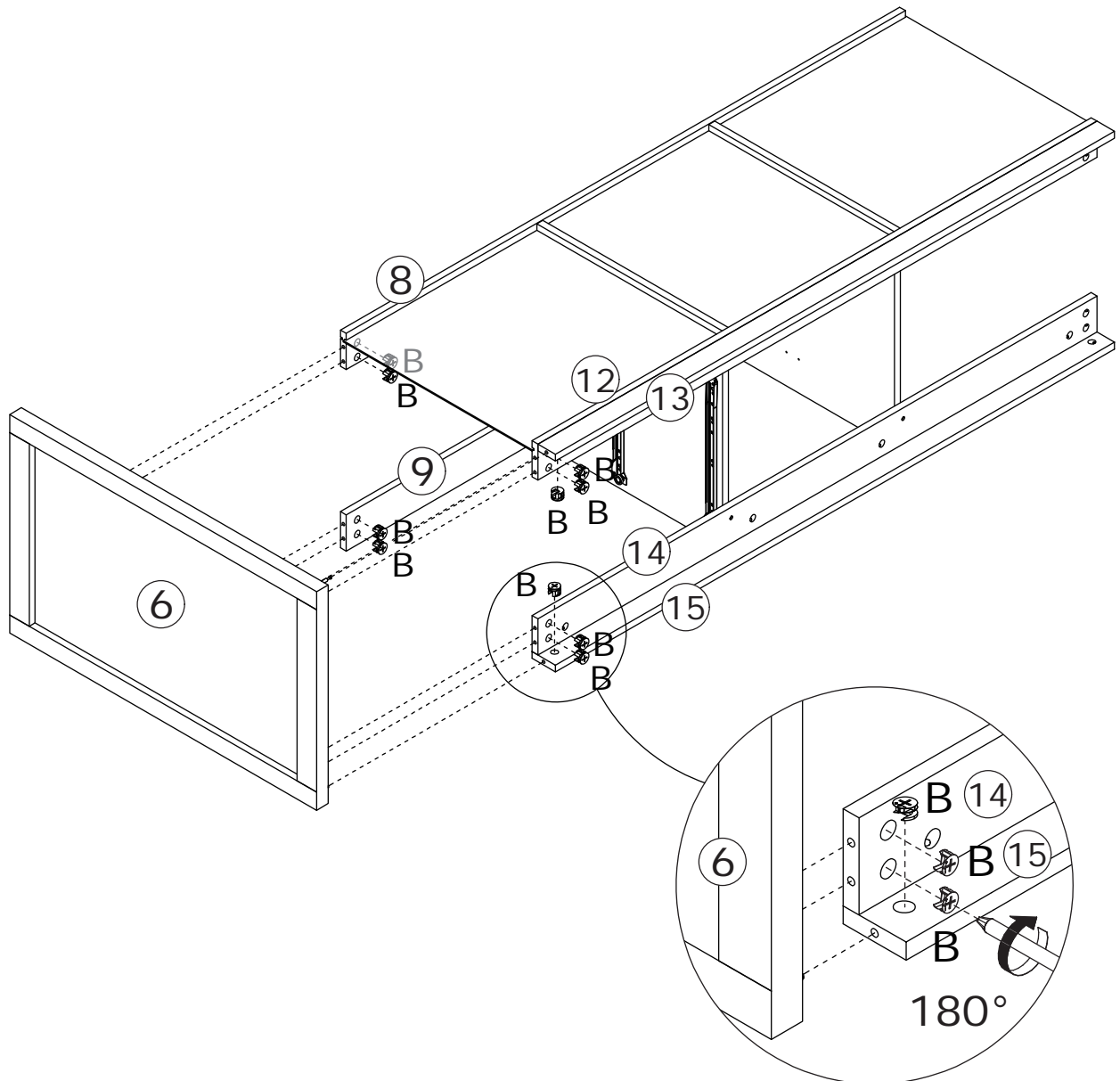
B x 10



Ø 15 x 10 mm

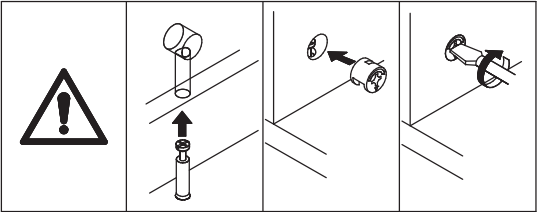


Connect part 6 to part 8, 9, 12, 13, 14, and 15, then tighten by turning eccentric cam B clockwise, as shown.

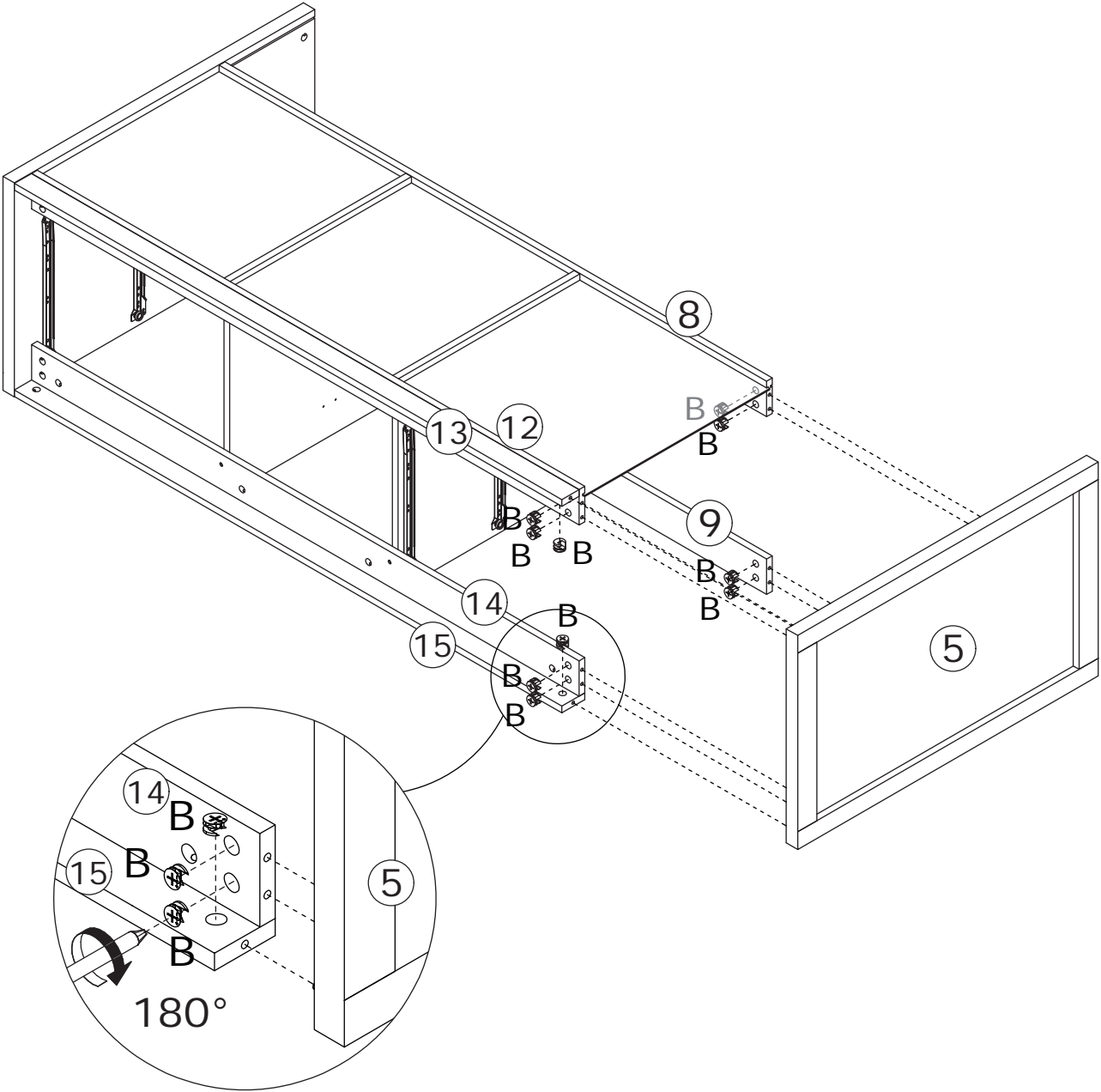


11




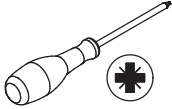
B x 10
Ø 15 x 10 mm



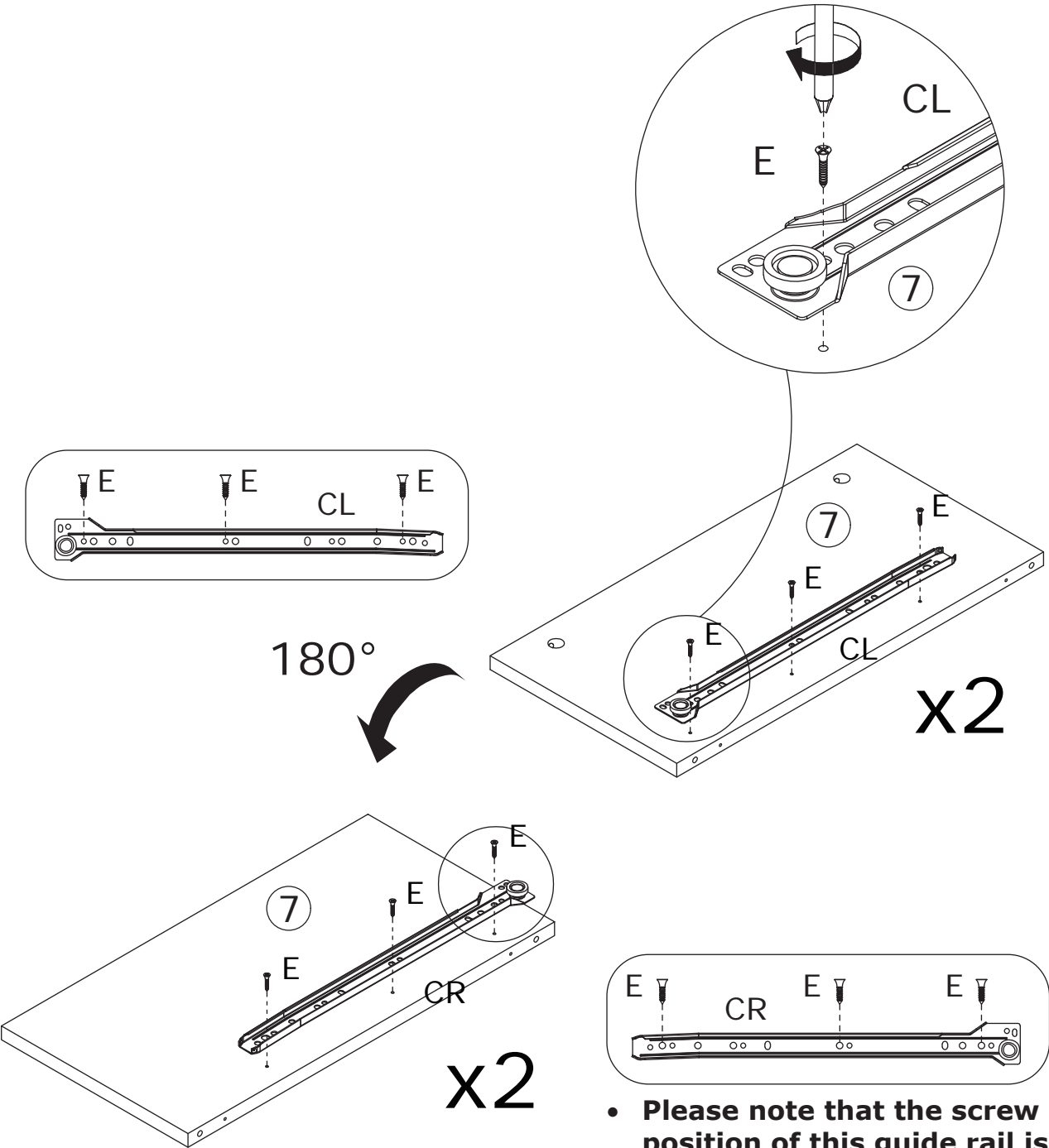
Connect part 5 to part 8, 9, 12, 13, 14, and 15, then tighten by turning eccentric cam B clockwise, as shown.



12

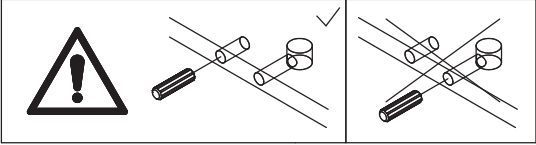
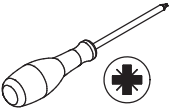
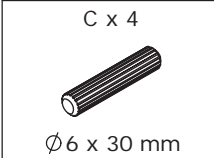
E x 12  Ø 3.5 x 12 mm	CL x 2 	CR x 2 	
--	---	---	---

Secure the guide rail CL to part 7 using screw E.
Flip the panel to its opposite side, secure the guide rail CR as shown.

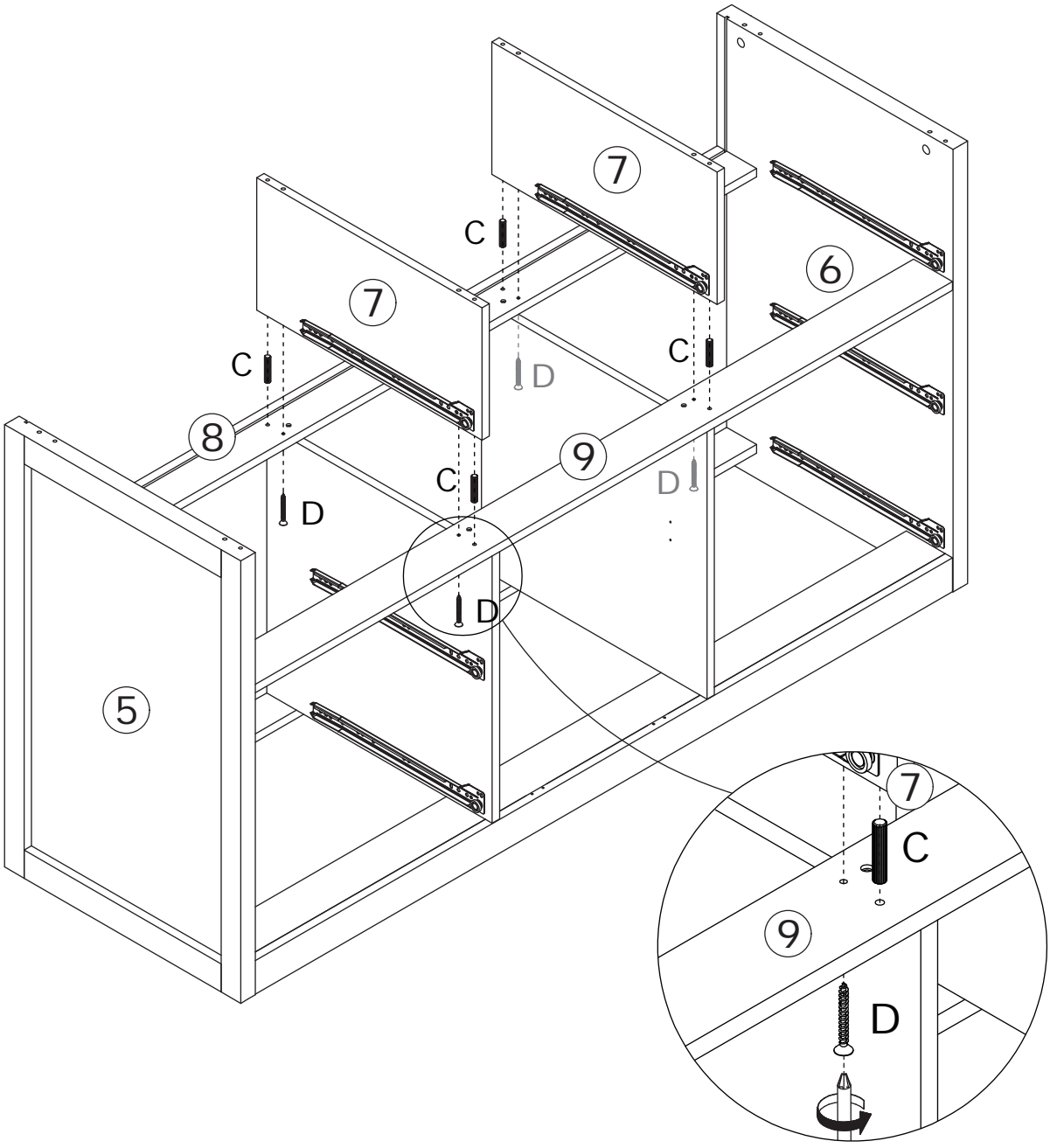


- Please note that the screw position of this guide rail is different from the others.

13

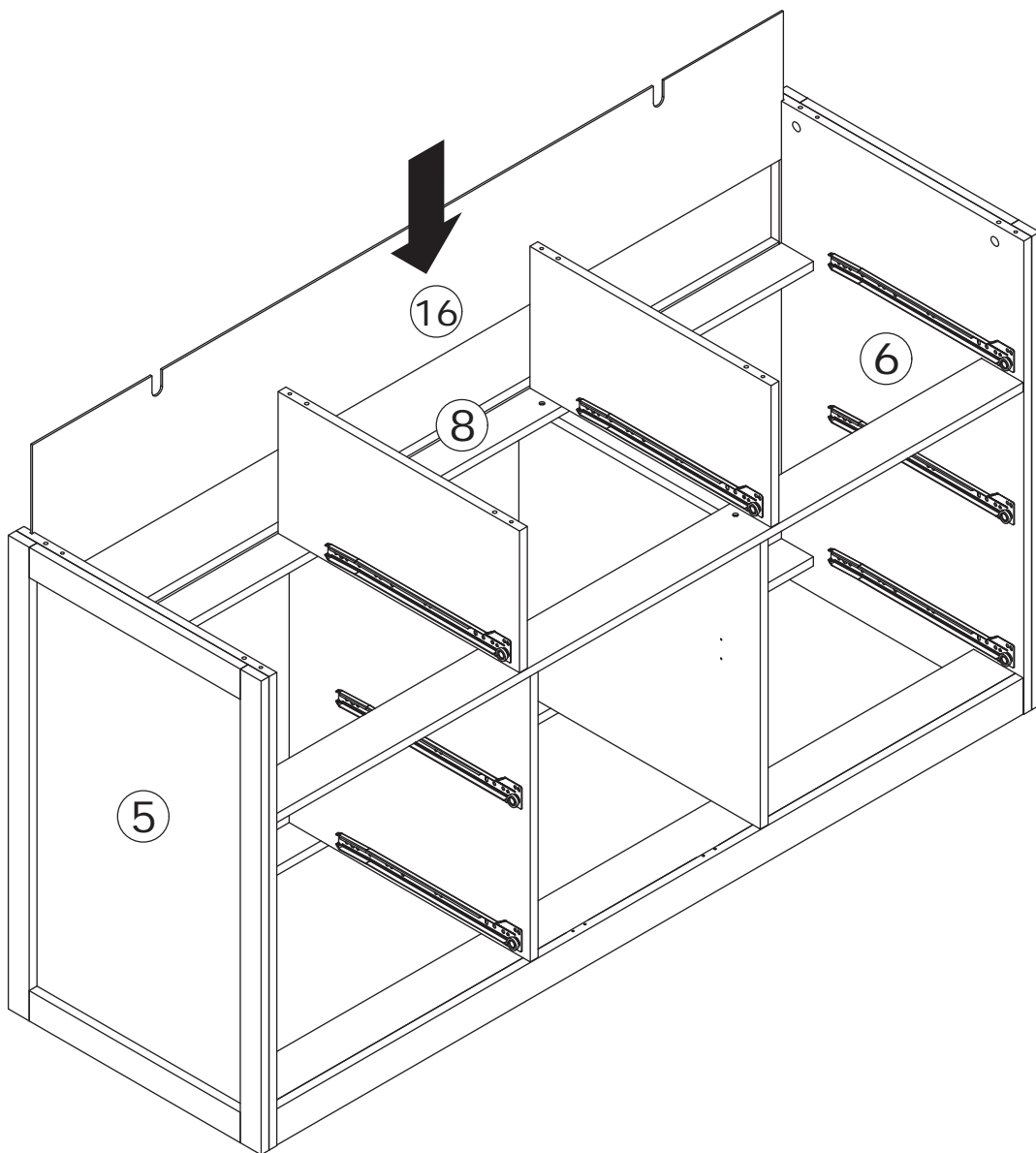


Connect part 7 to part 8 and 9 using dowel C, then secure them with screw D, as shown.

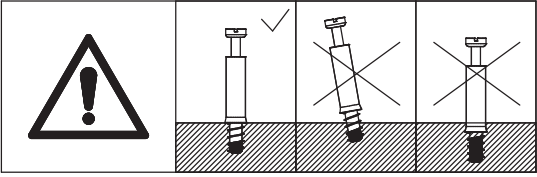
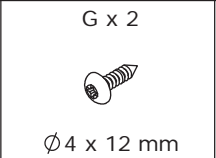
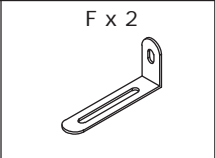
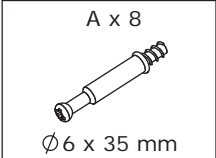


14

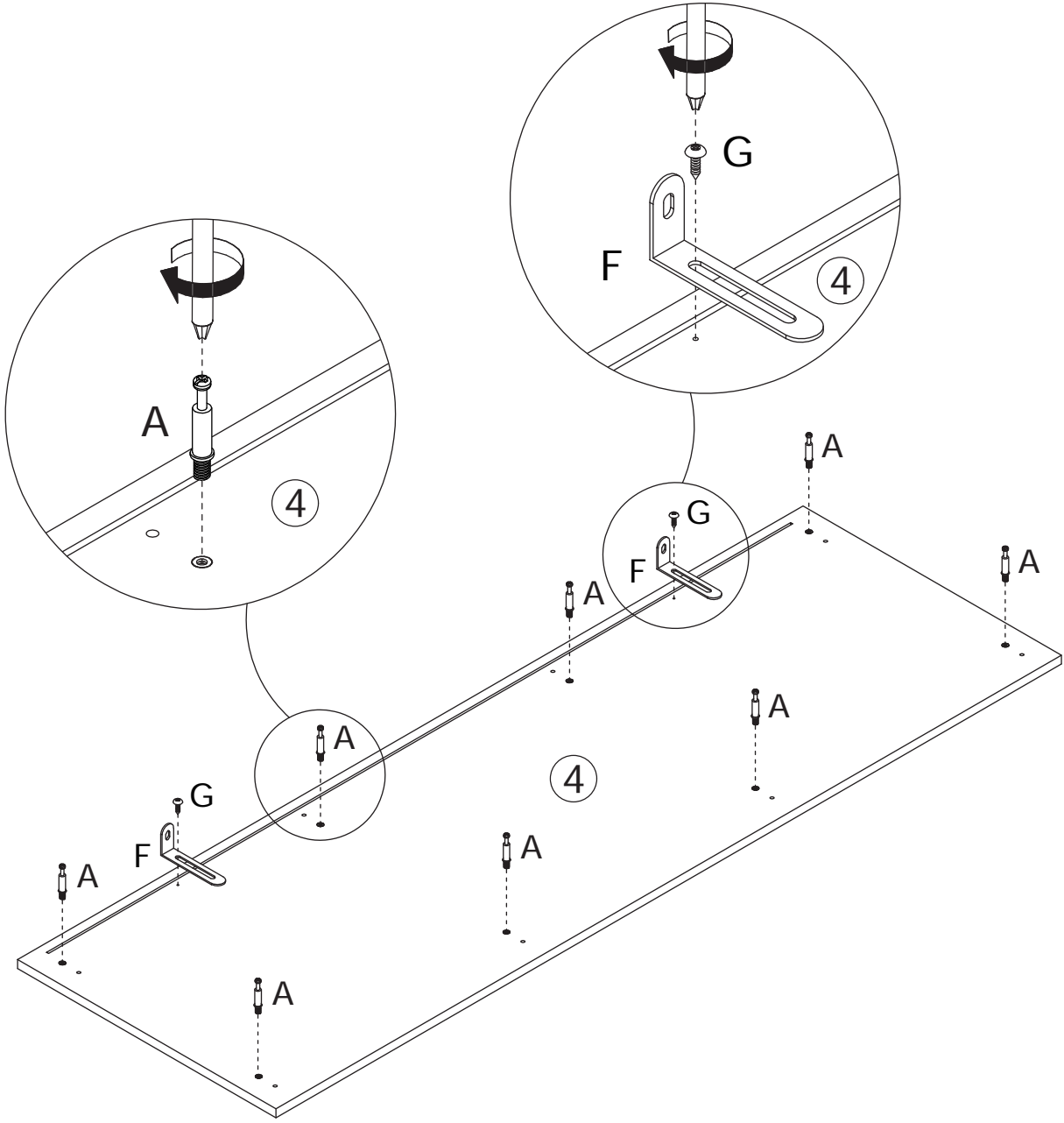
Insert part 16 along the available grooves.



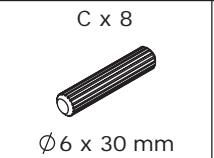
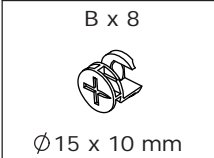
15



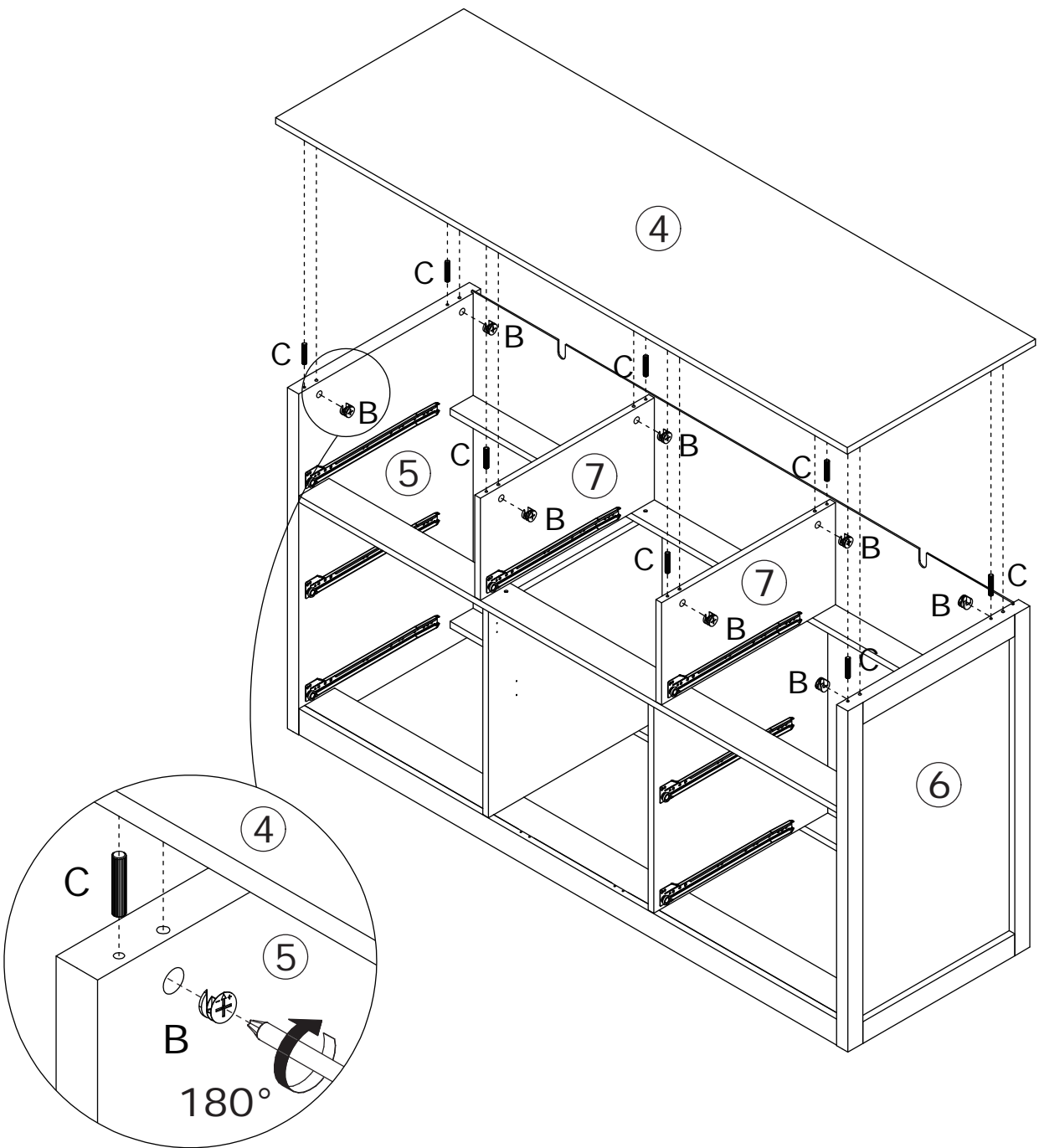
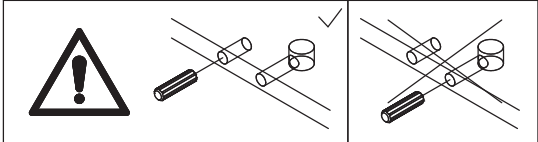
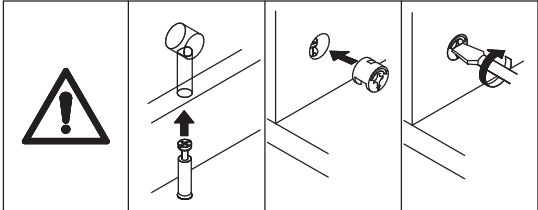
Secure bracket F to part 4 using screw G.
Screw eccentric rod A into part 4, as shown.



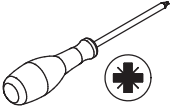
16



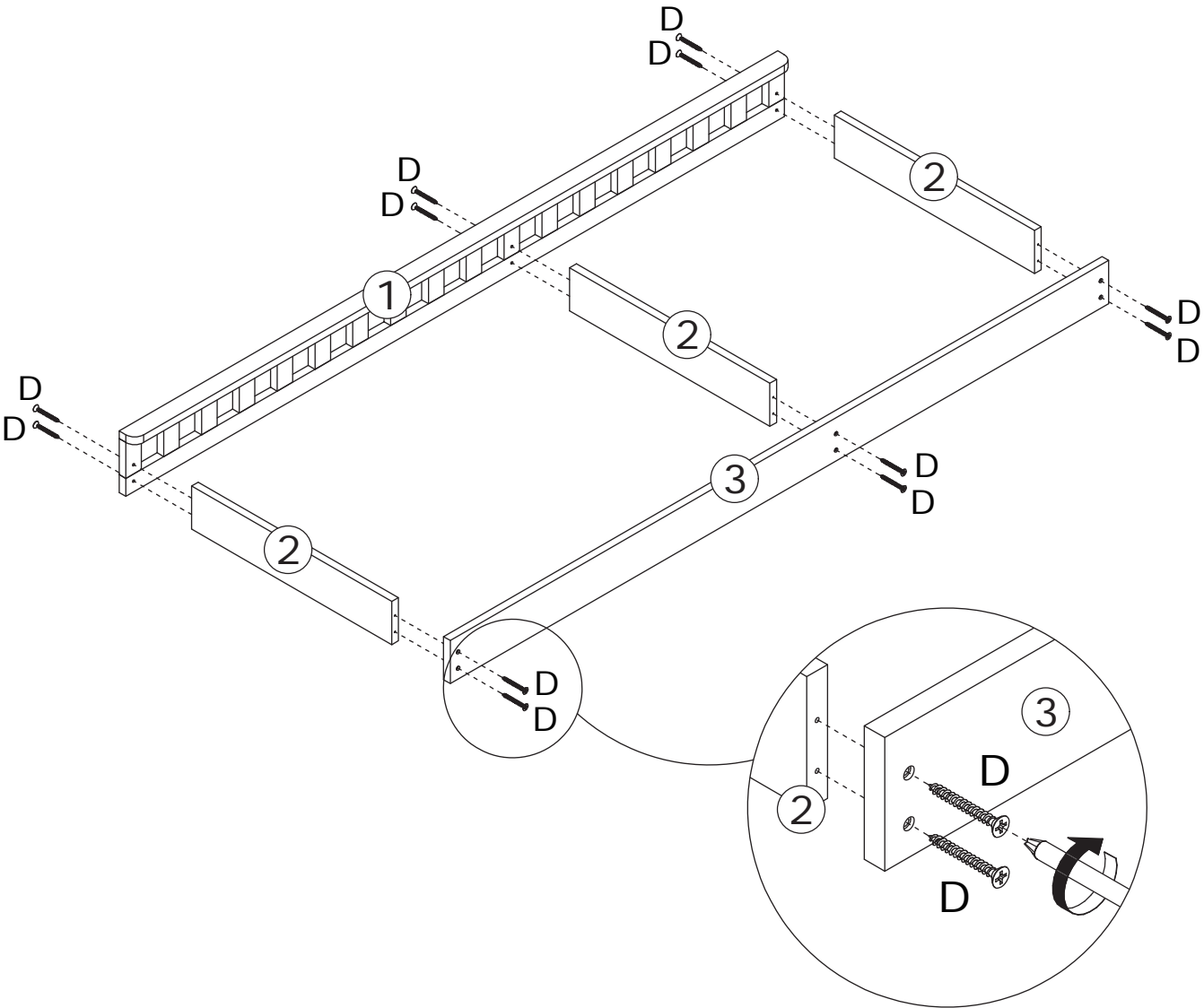
Connect part 4 to part 5, 6, and 7 using dowel C, then tighten by turning eccentric cam B clockwise, as shown.



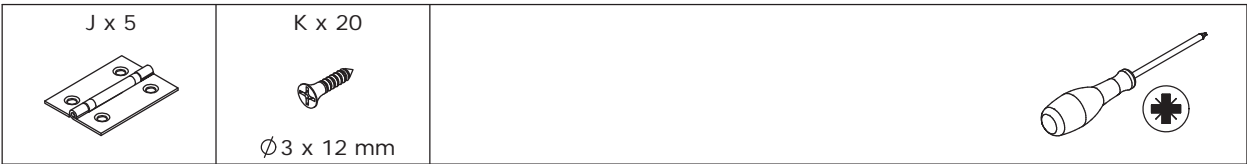
17



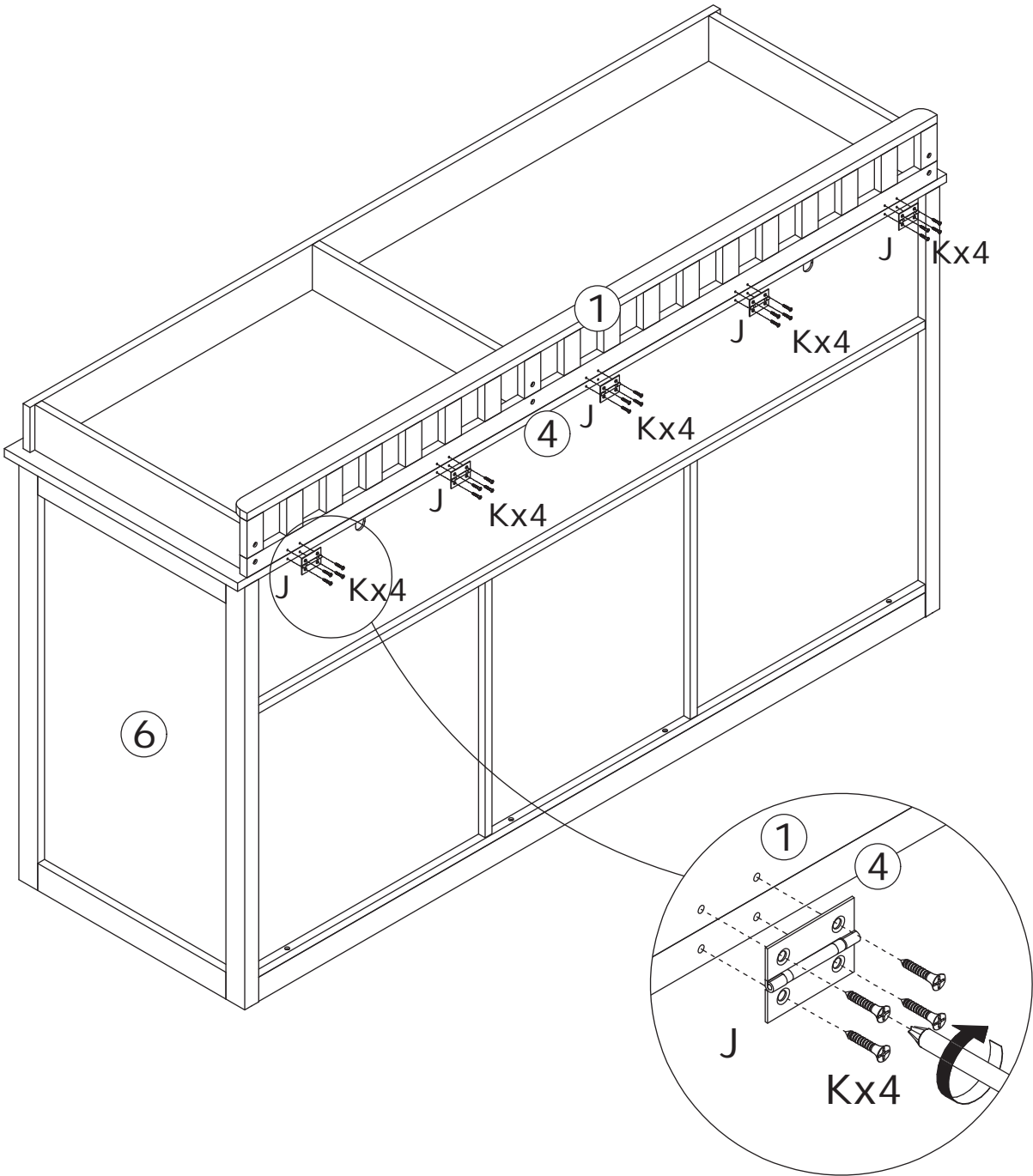
Connect part 1 and 3 to part 2 using screw D, as shown.



18



Secure hinge J to part 1 and 4 using screw K, as shown.



19

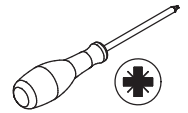
L x 18



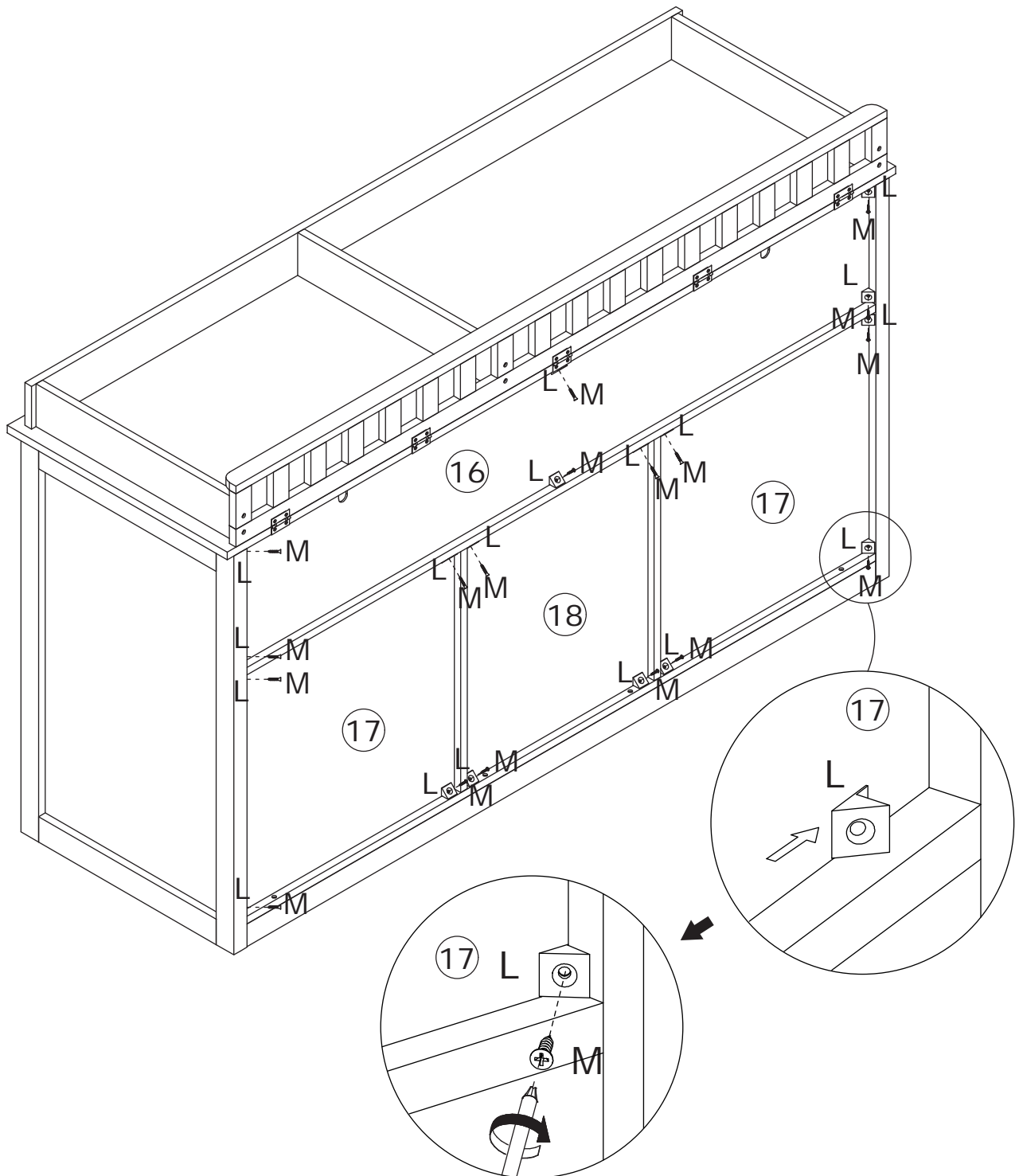
M x 18



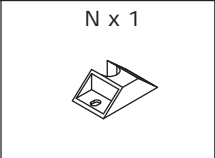
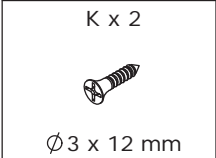
Ø3 x 14 mm



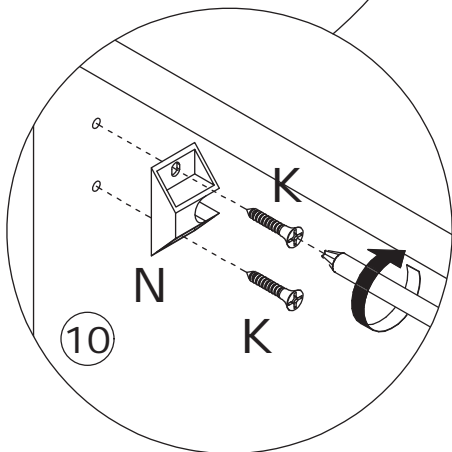
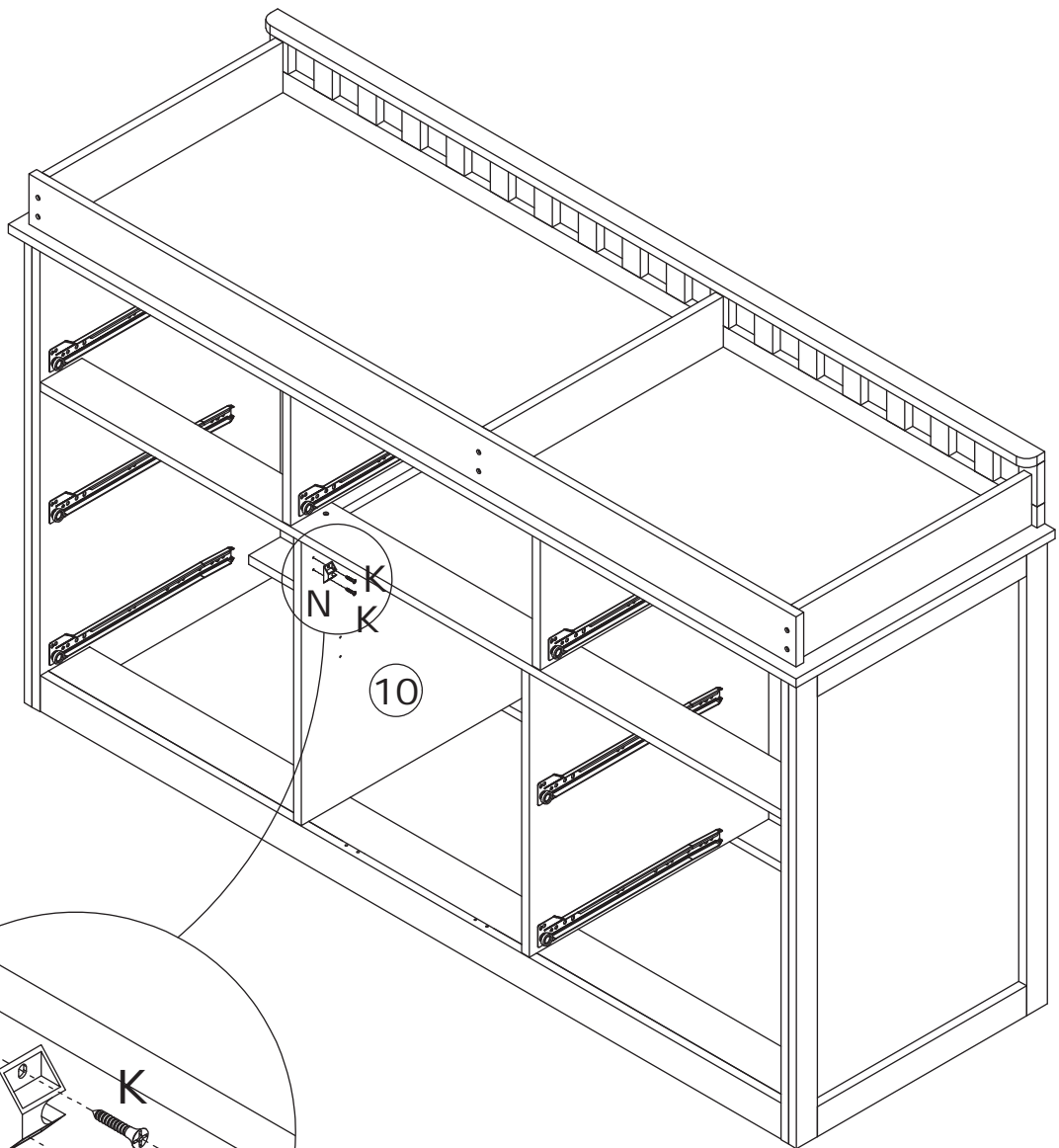
Insert back panel clip L into the rear slots and secure them with screw M as shown.



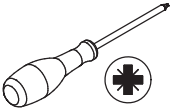
20



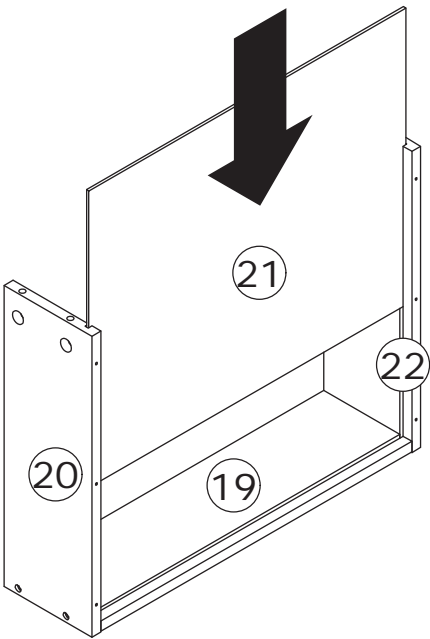
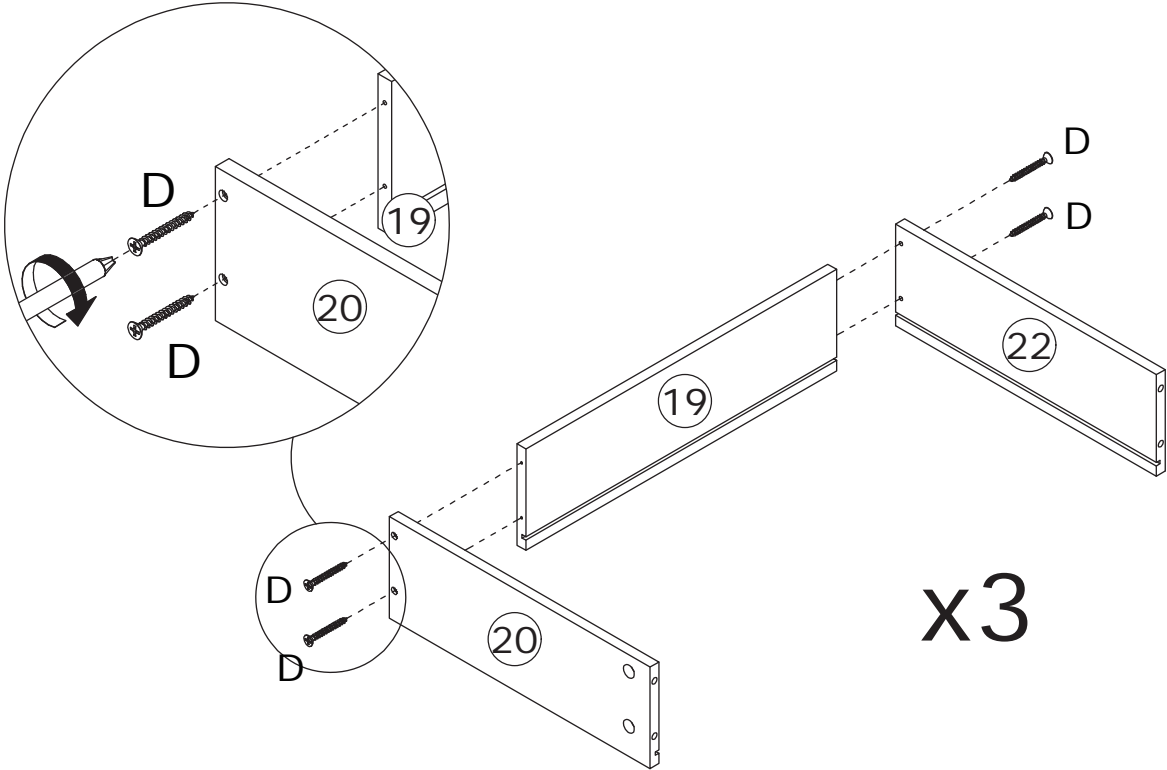
Secure component N onto board 10 using screw K, as shown.



21

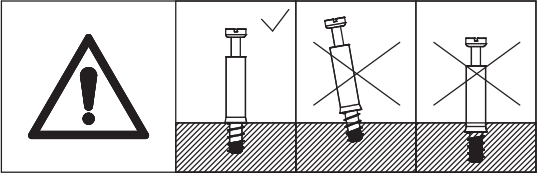
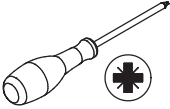
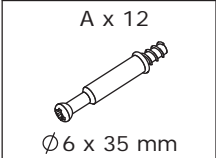


Secure part 20 and 22 to part 19 using screw D.

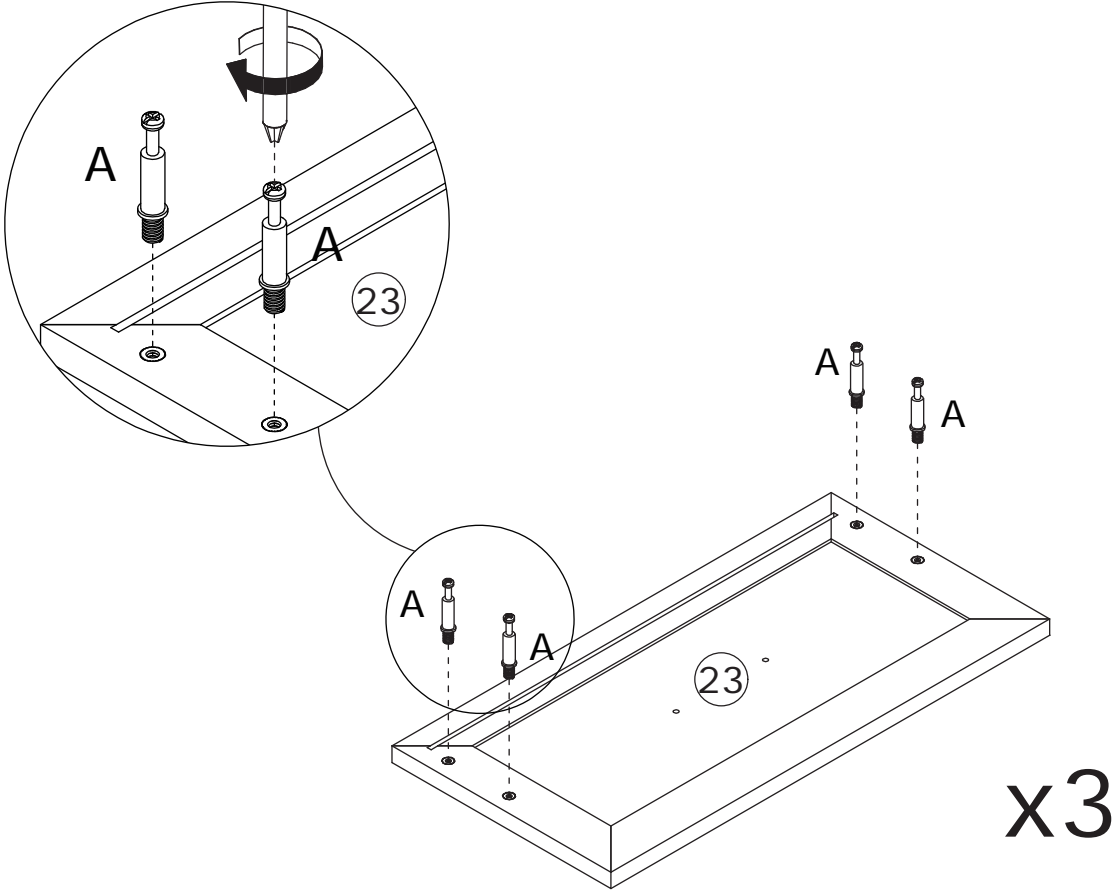


Insert part 21 along the available grooves.

22



Screw eccentric rod A into part 23, as shown.



23

B x 12



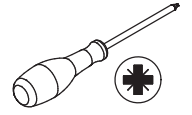
Ø 15 x 10 mm

H x 6

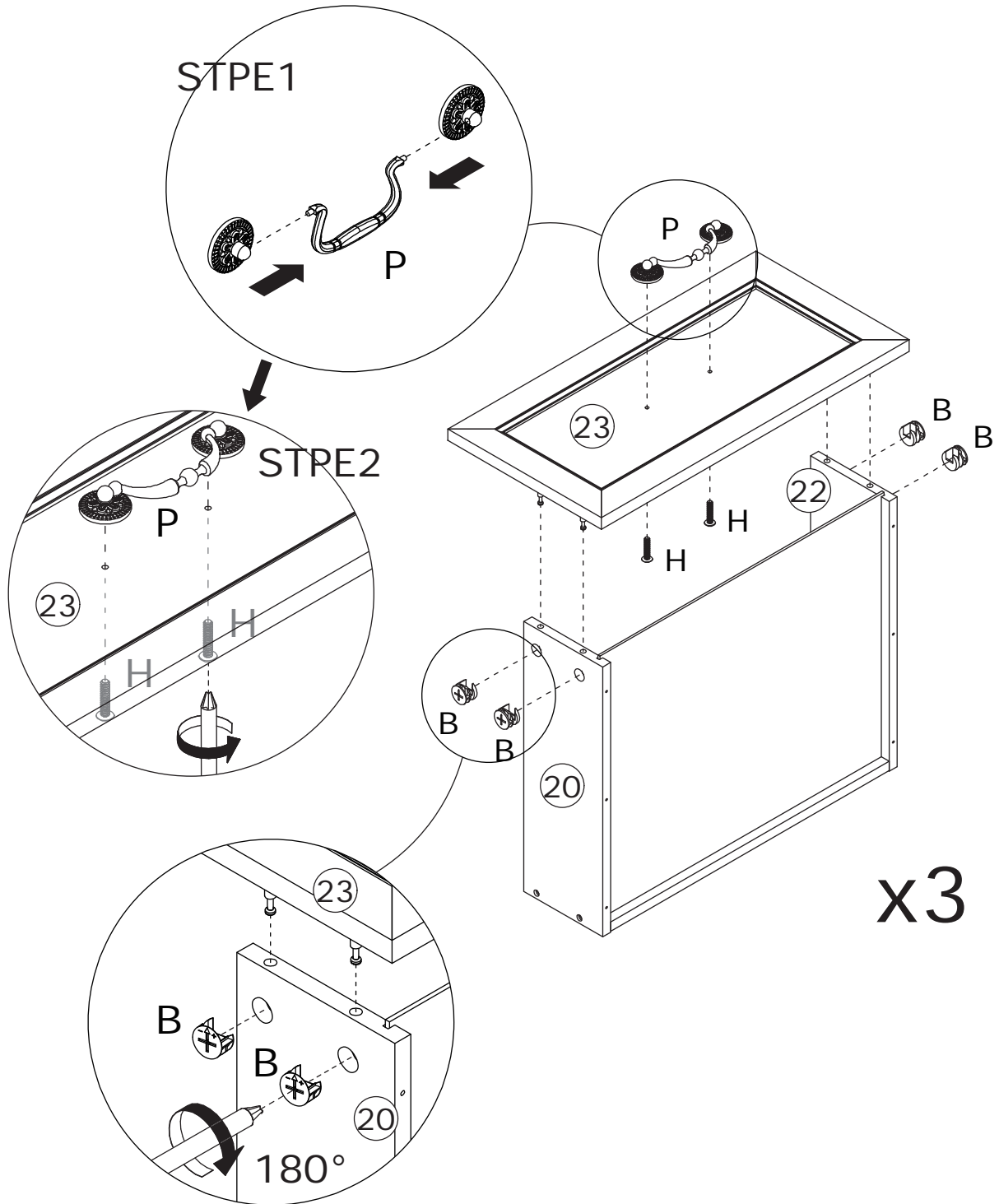
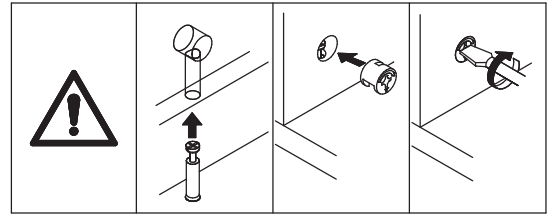


Ø 4 x 8 mm

P x 3

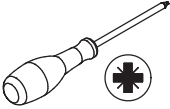


Connect part 23 to part 20 and 22,
then tighten by turning eccentric cam B
clockwise, as shown.
Secure handle P to part 23 using screw H.

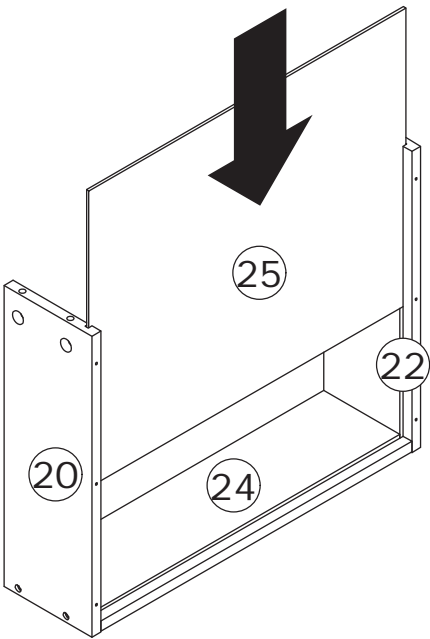
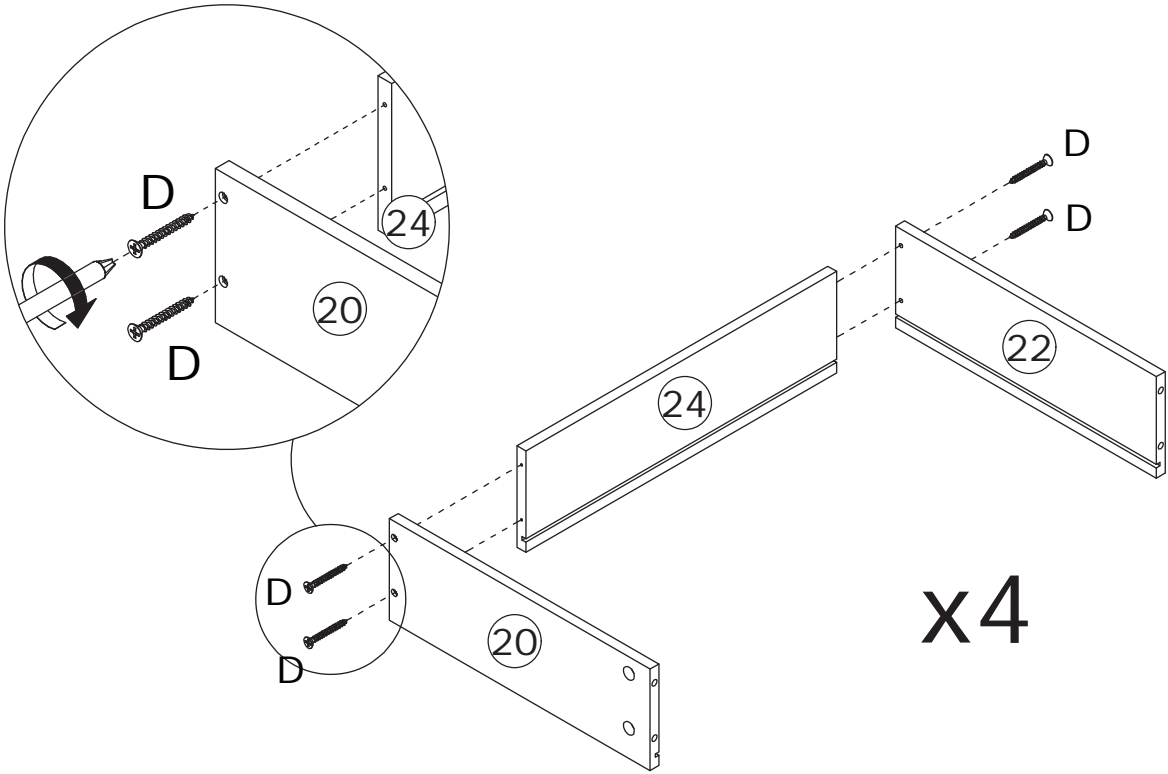


24

D x 16
Ø4 x 35 mm

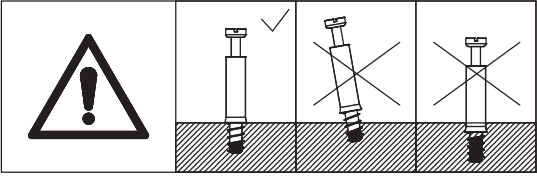
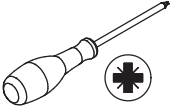
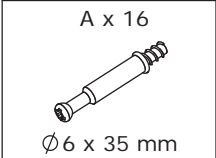


Secure part 20 and 22 onto part 24 using screw D.

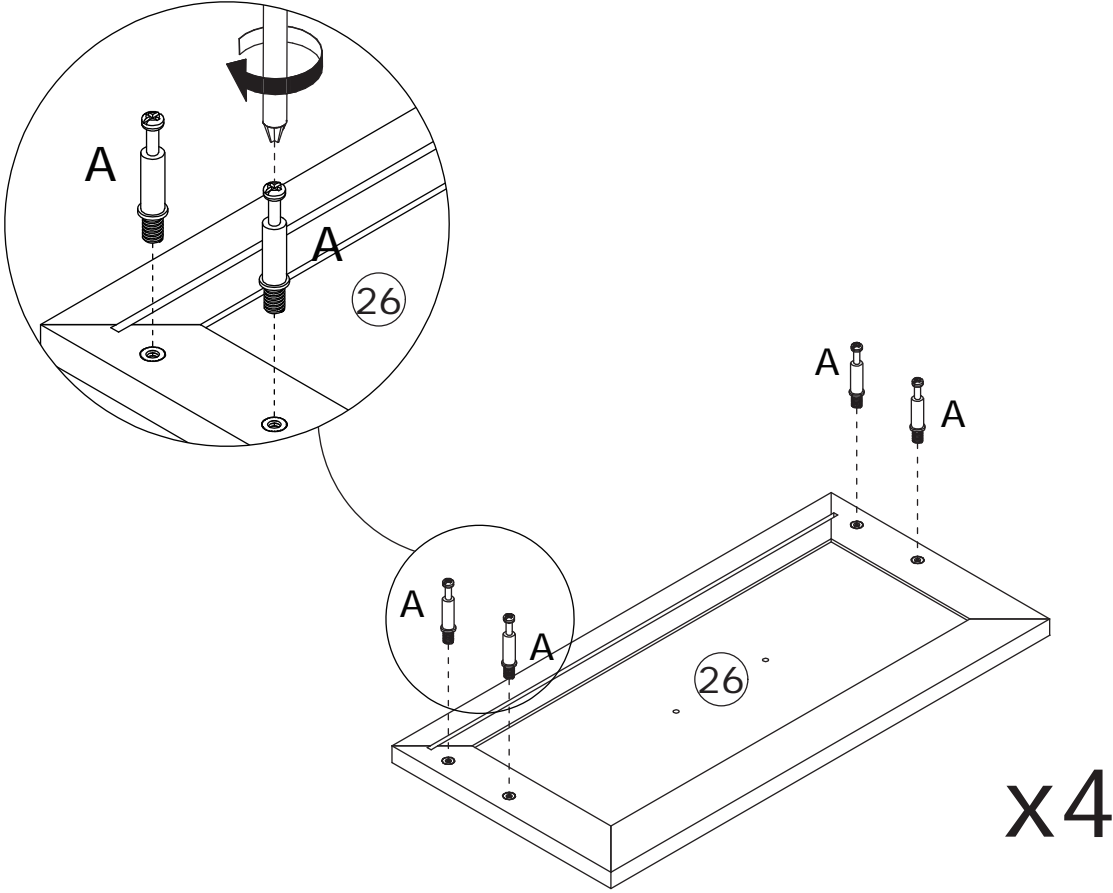


Insert part 25 along the available groove.




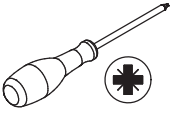
25



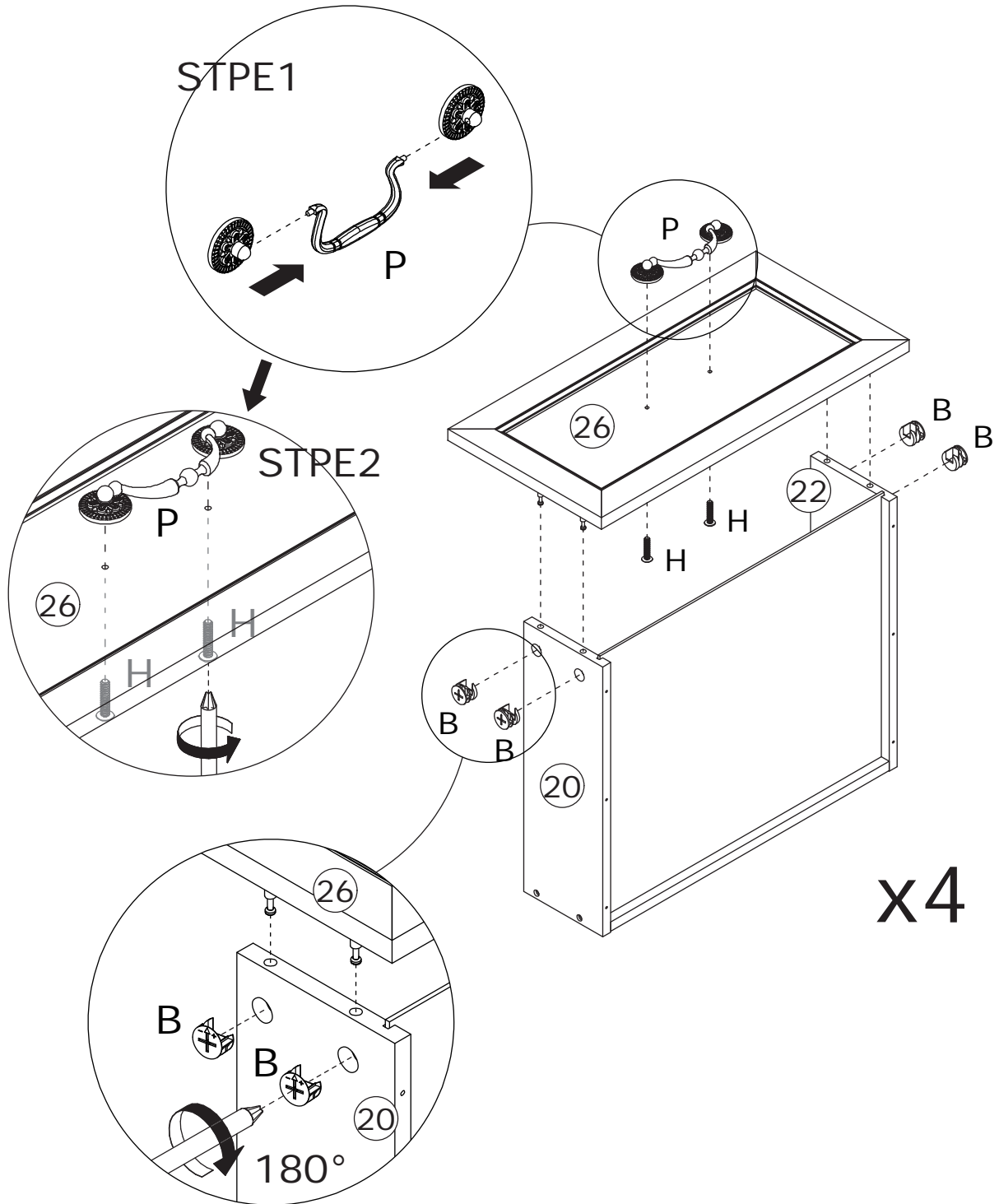
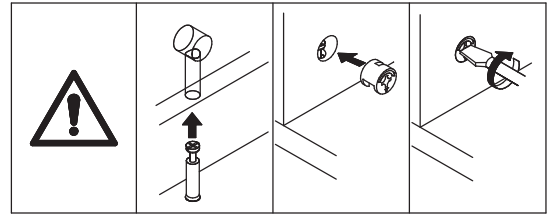
Screw eccentric rod A into 26, as shown.



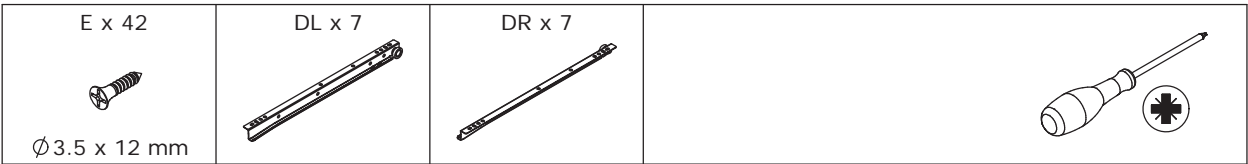
26

<p>B x 16</p>  <p>Ø 15 x 10 mm</p>	<p>H x 8</p>  <p>Ø 4 x 8 mm</p>	<p>P x 4</p> 	
---	--	--	---

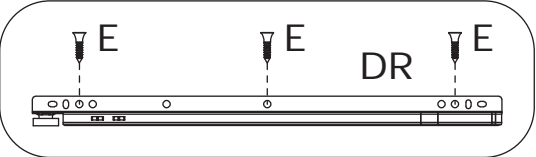
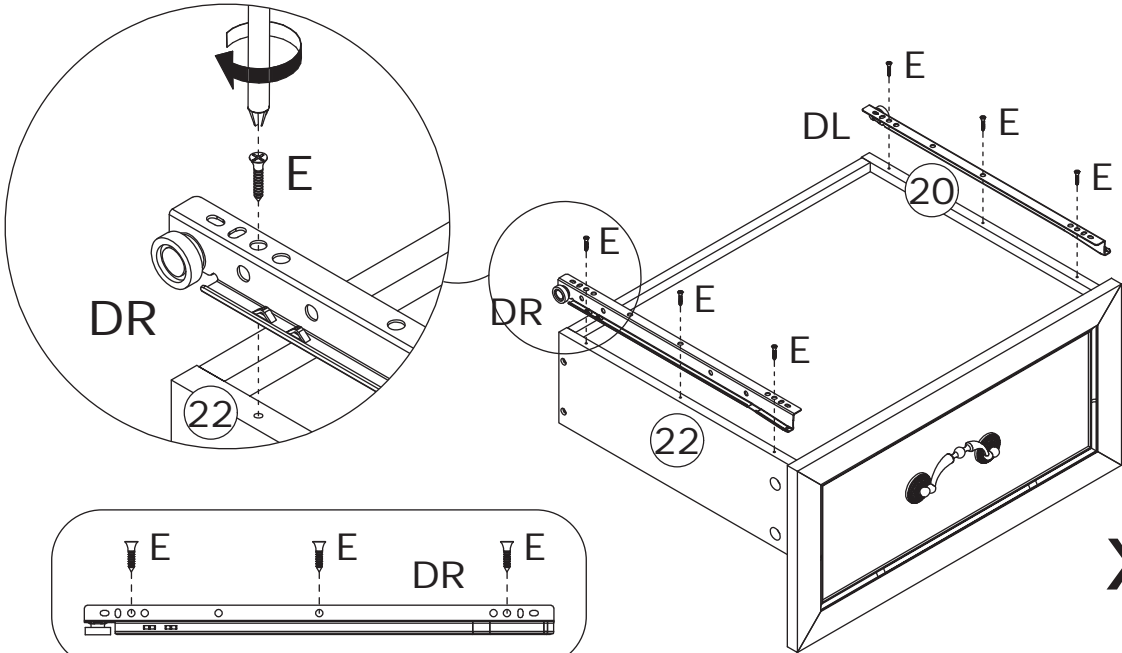
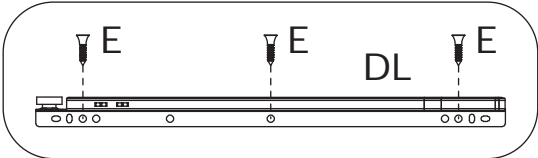
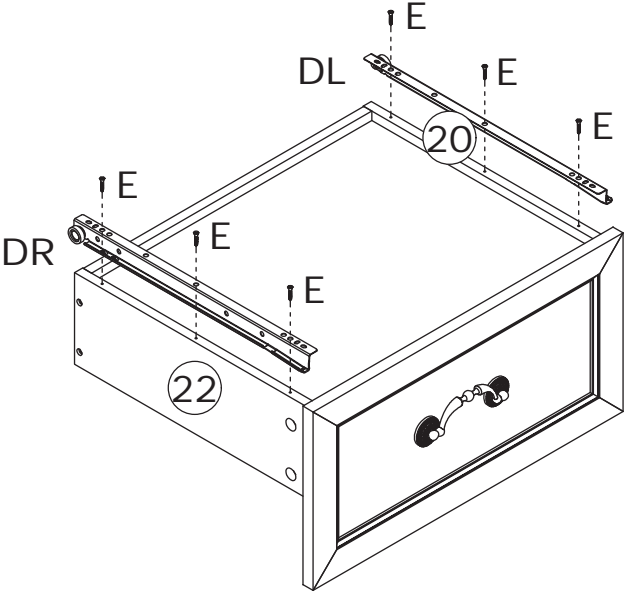
Connect part 26 to part 20 and 22, then tighten by turning eccentric cam B clockwise, as shown. Secure handle P to part 26 using screw H.



27

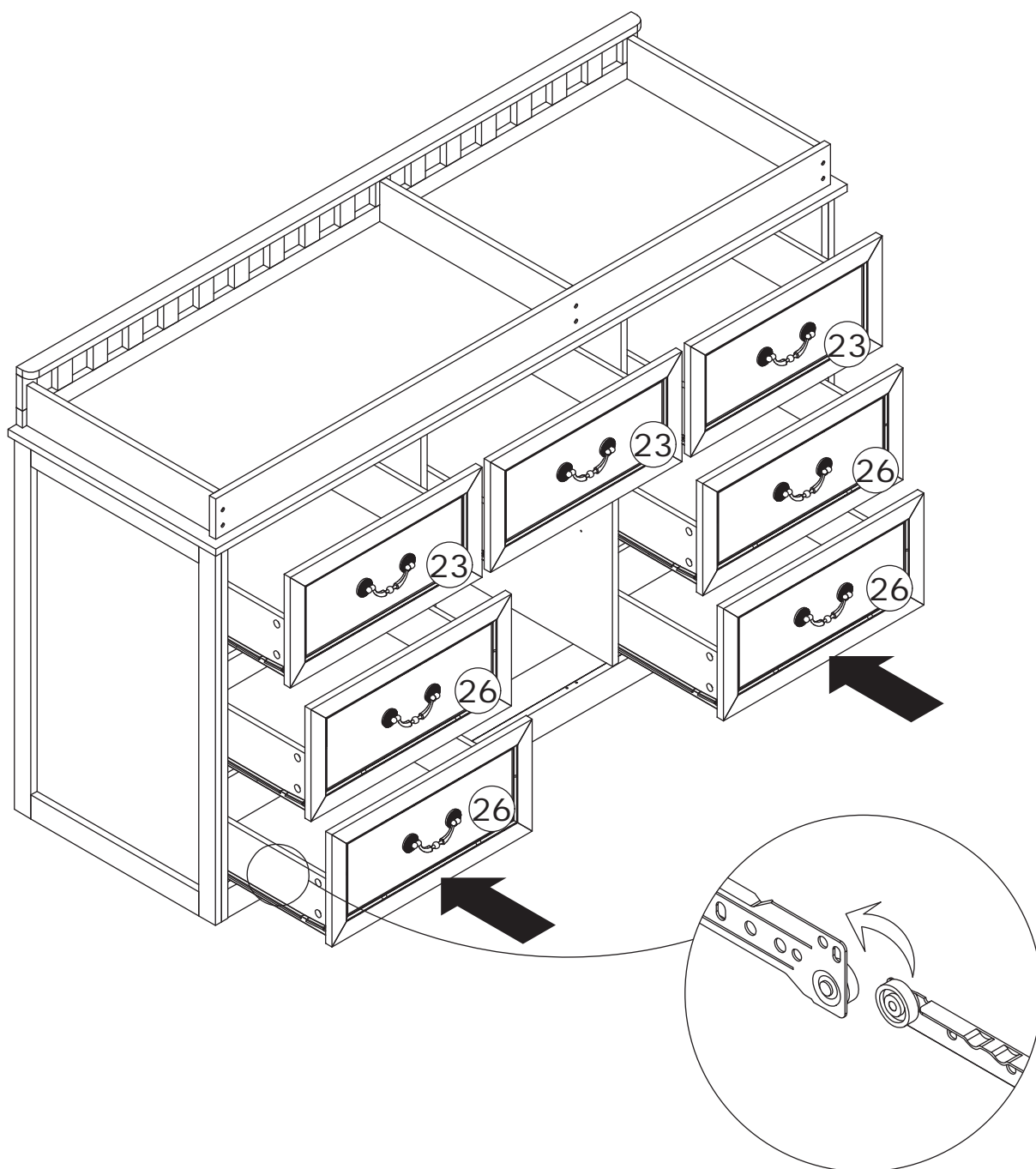


Secure guide rail DL and DR to part 20 and 22 using screw E.

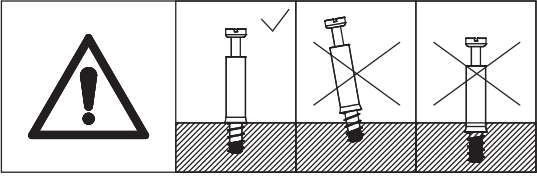
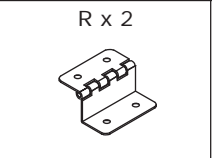
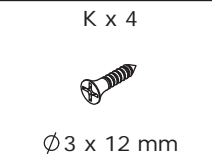
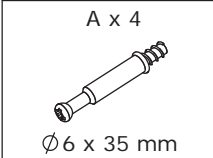


28

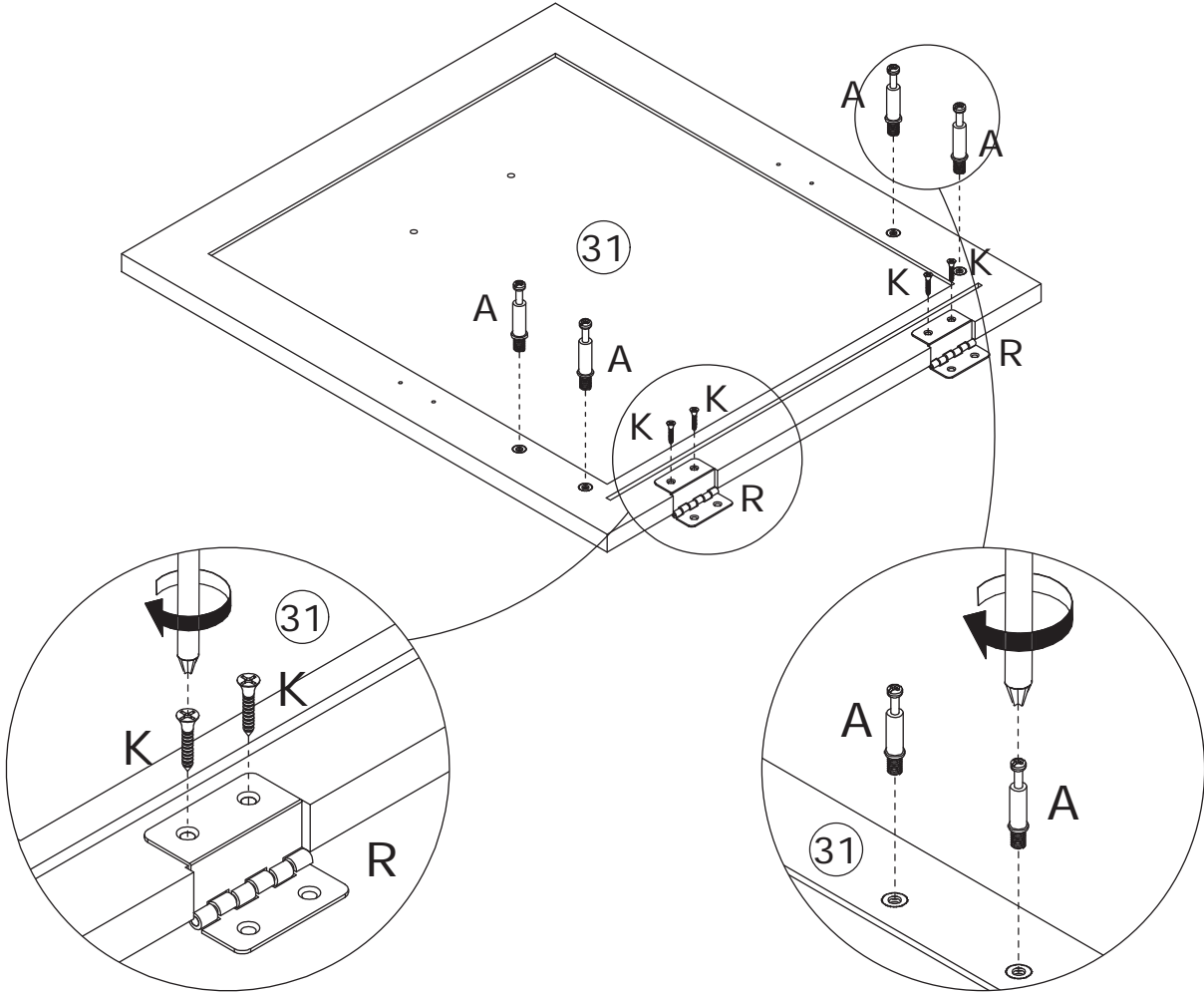
Push drawers to the unit.



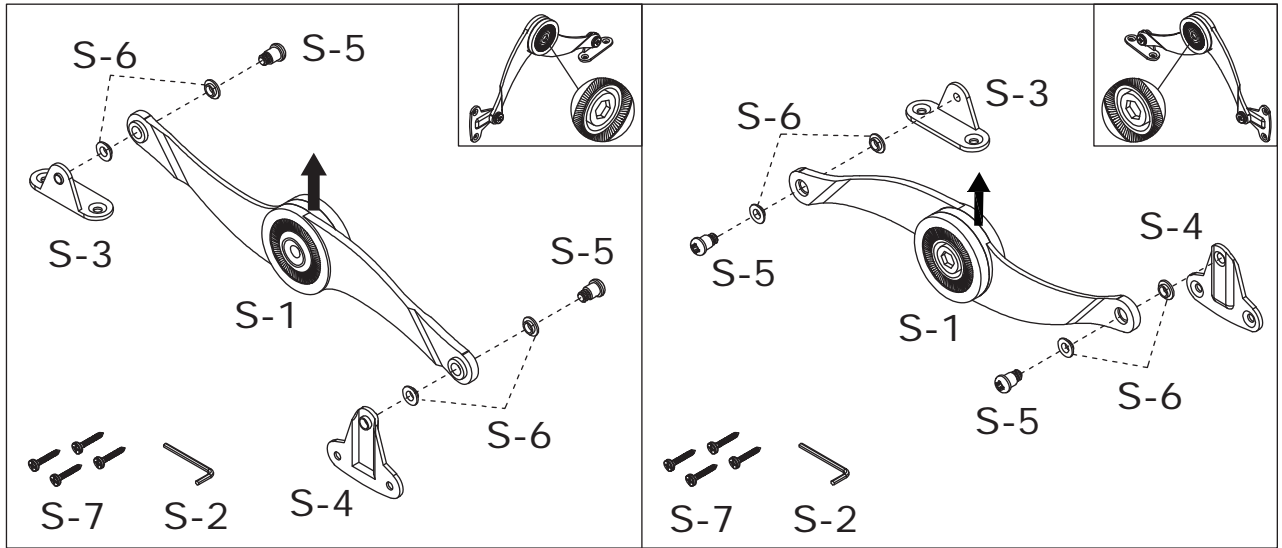
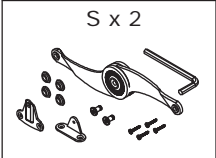
29



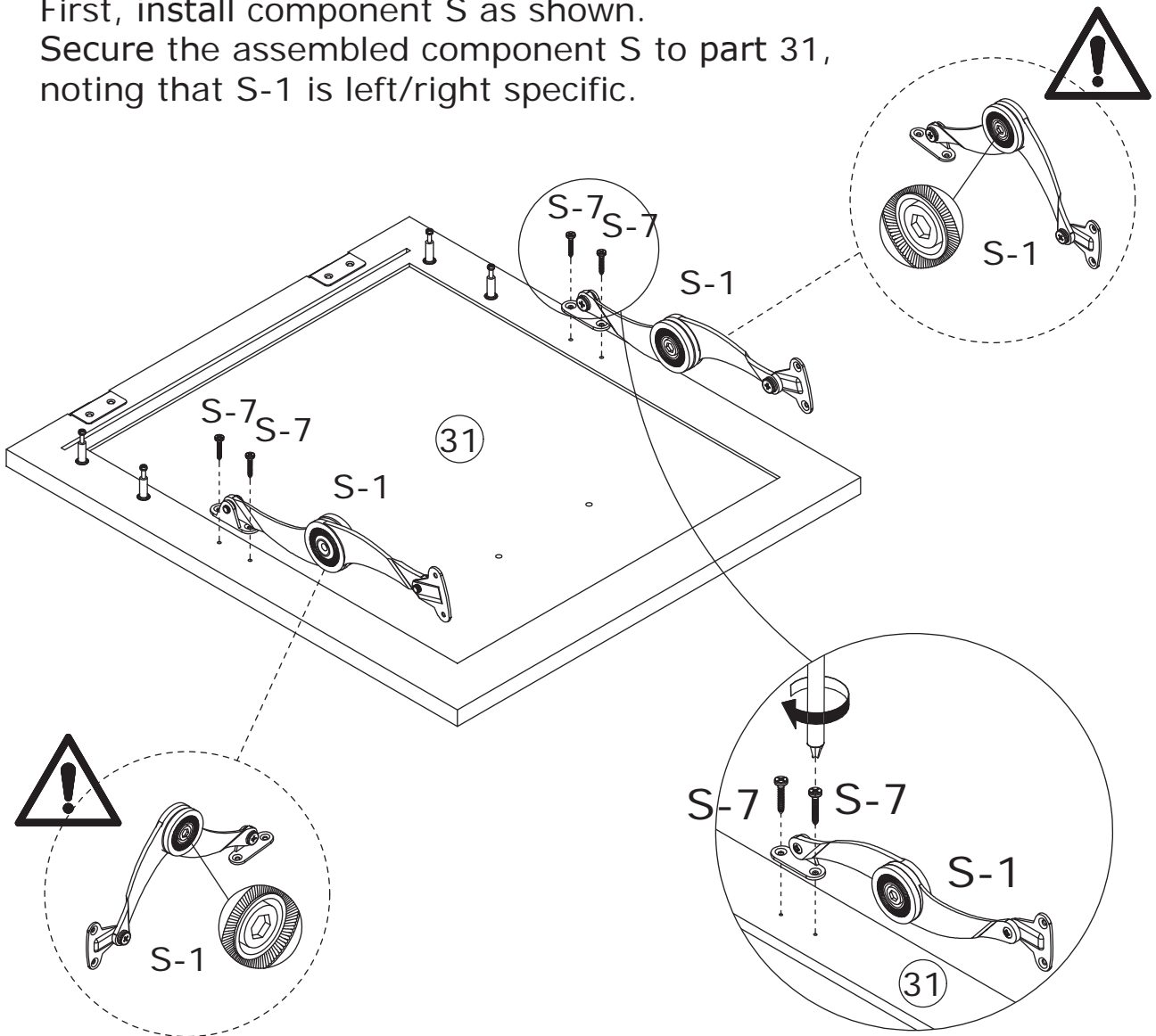
Screw eccentric rod A into part 31.
Secure hinge R to part 31 using screw K, as
shown.



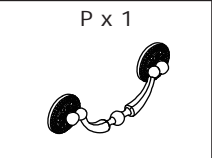
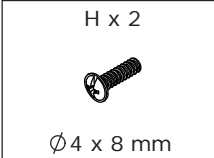
30



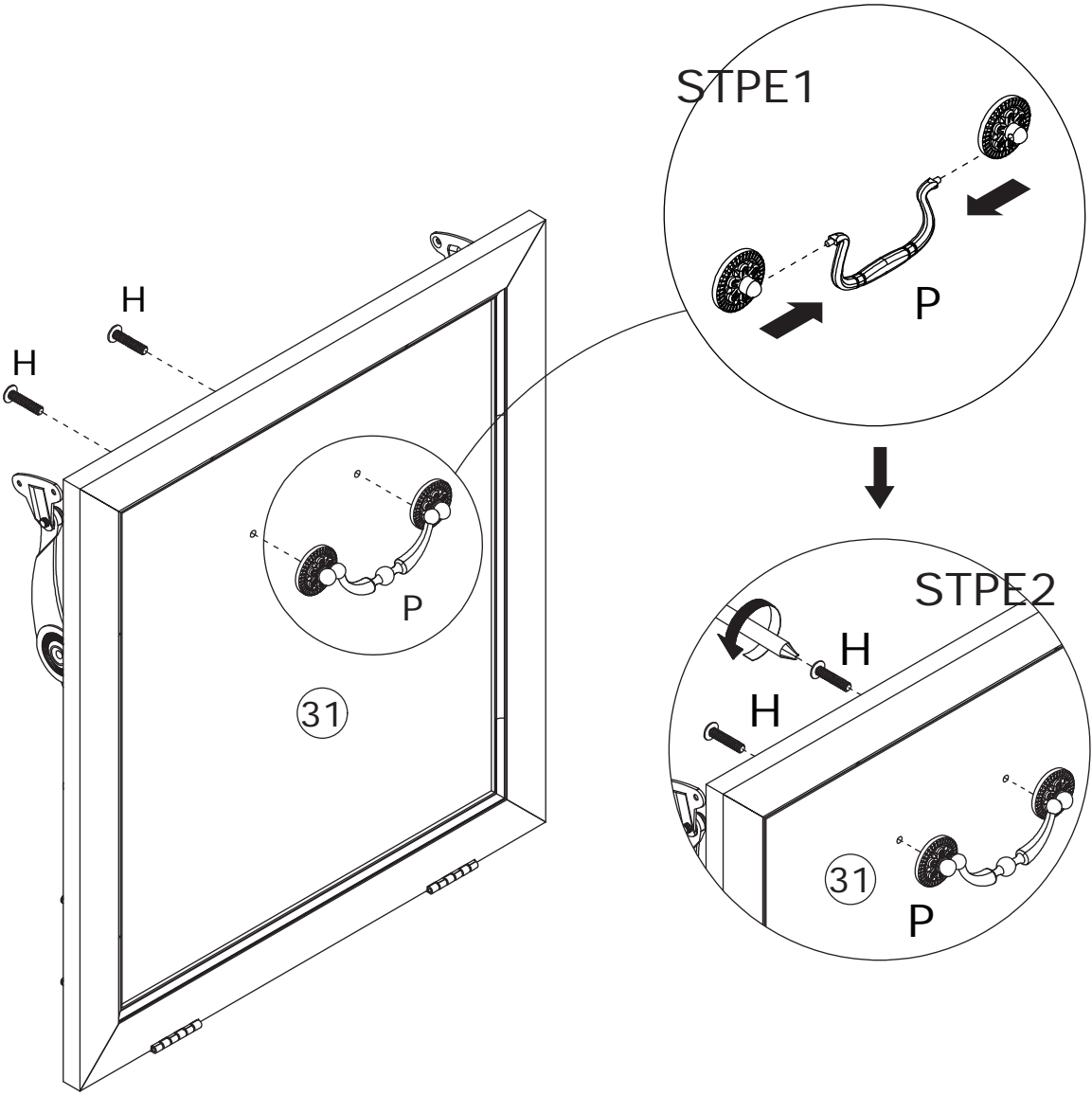
First, install component S as shown. Secure the assembled component S to part 31, noting that S-1 is left/right specific.



31



Secure handle P to part 31 using screw H, as shown.

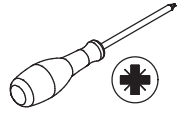


32

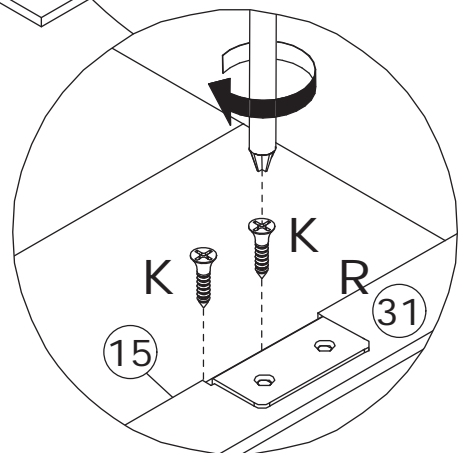
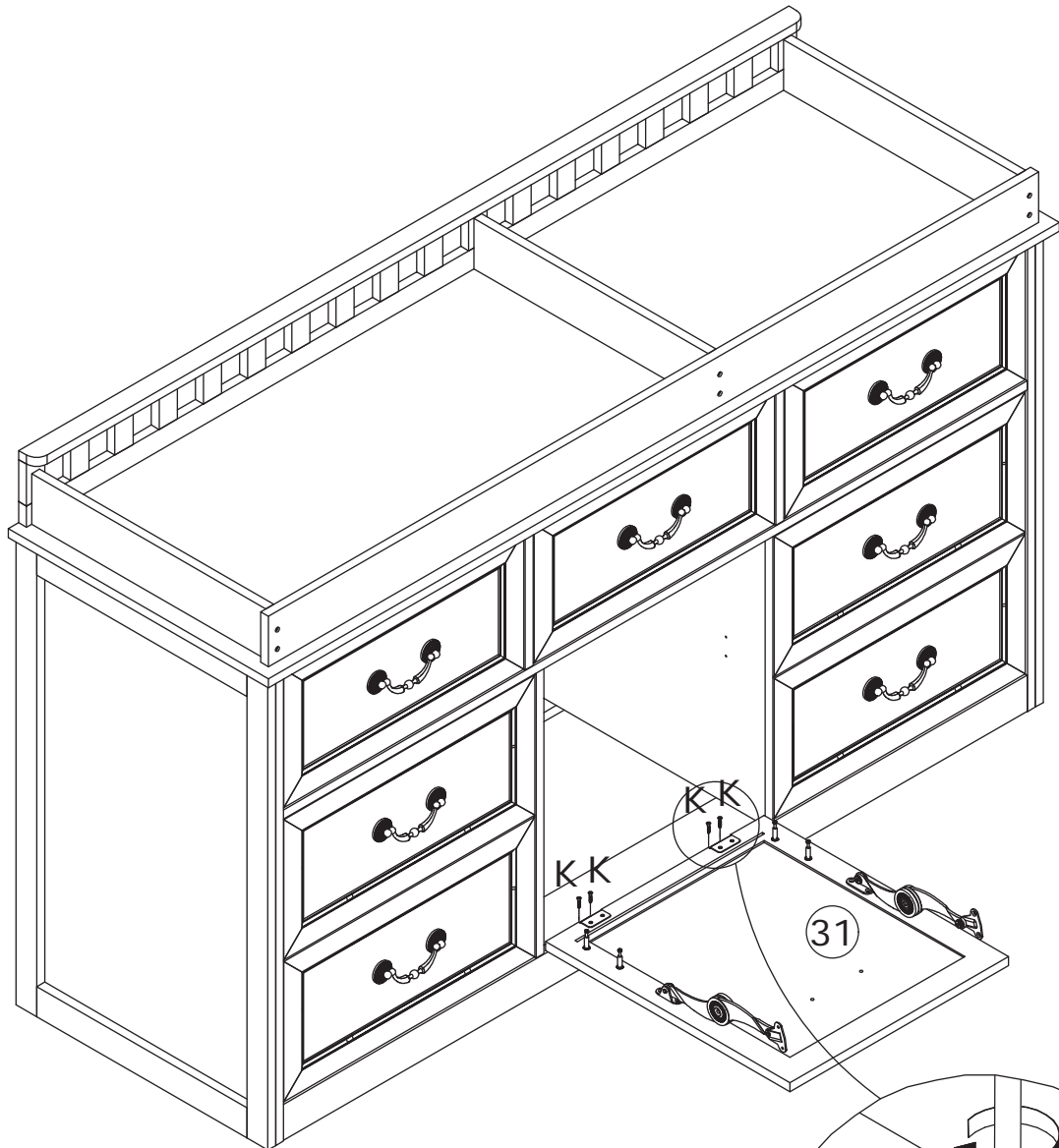
K x 4



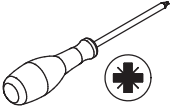
Ø3 x 12 mm



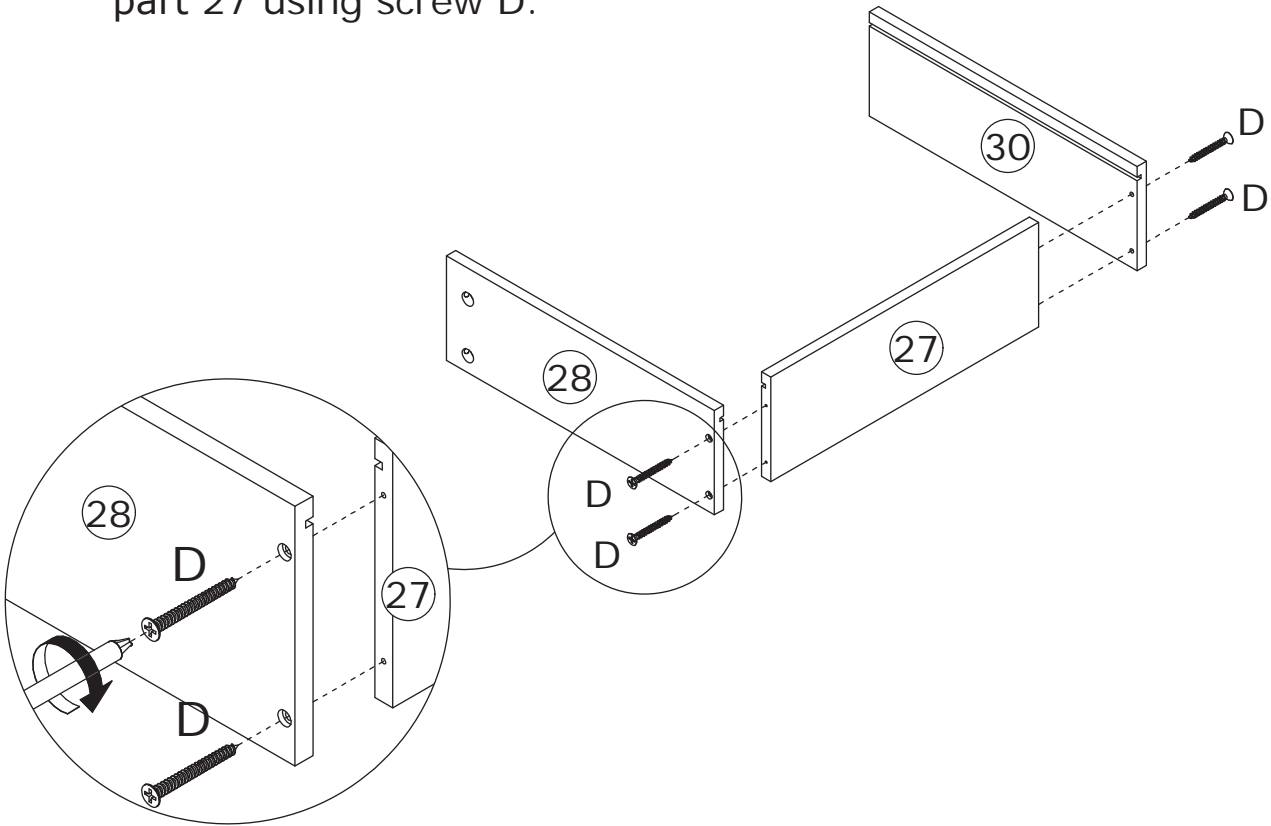
Secure part 31 to part 15 using screw K,
as shown.



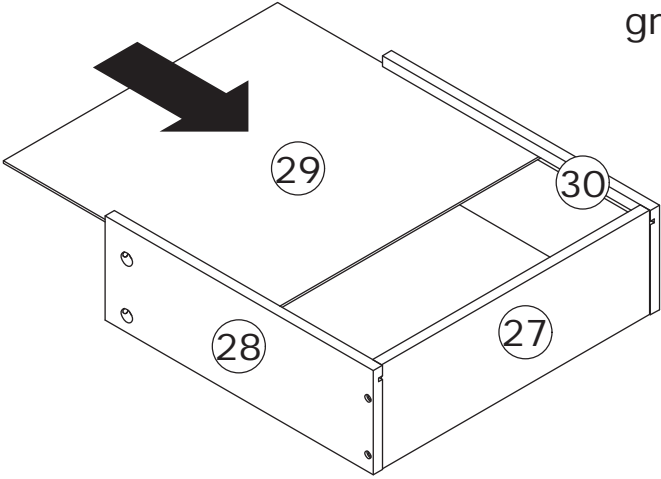
33



Secure part 28 and 30 to part 27 using screw D.



Insert part 29 along the available grooves

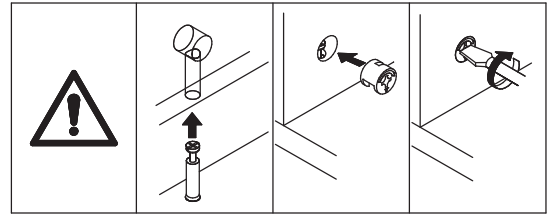
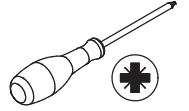


34

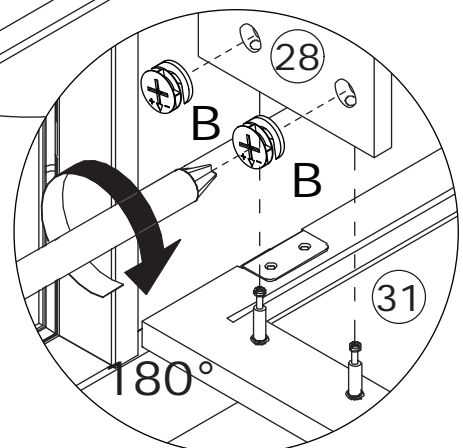
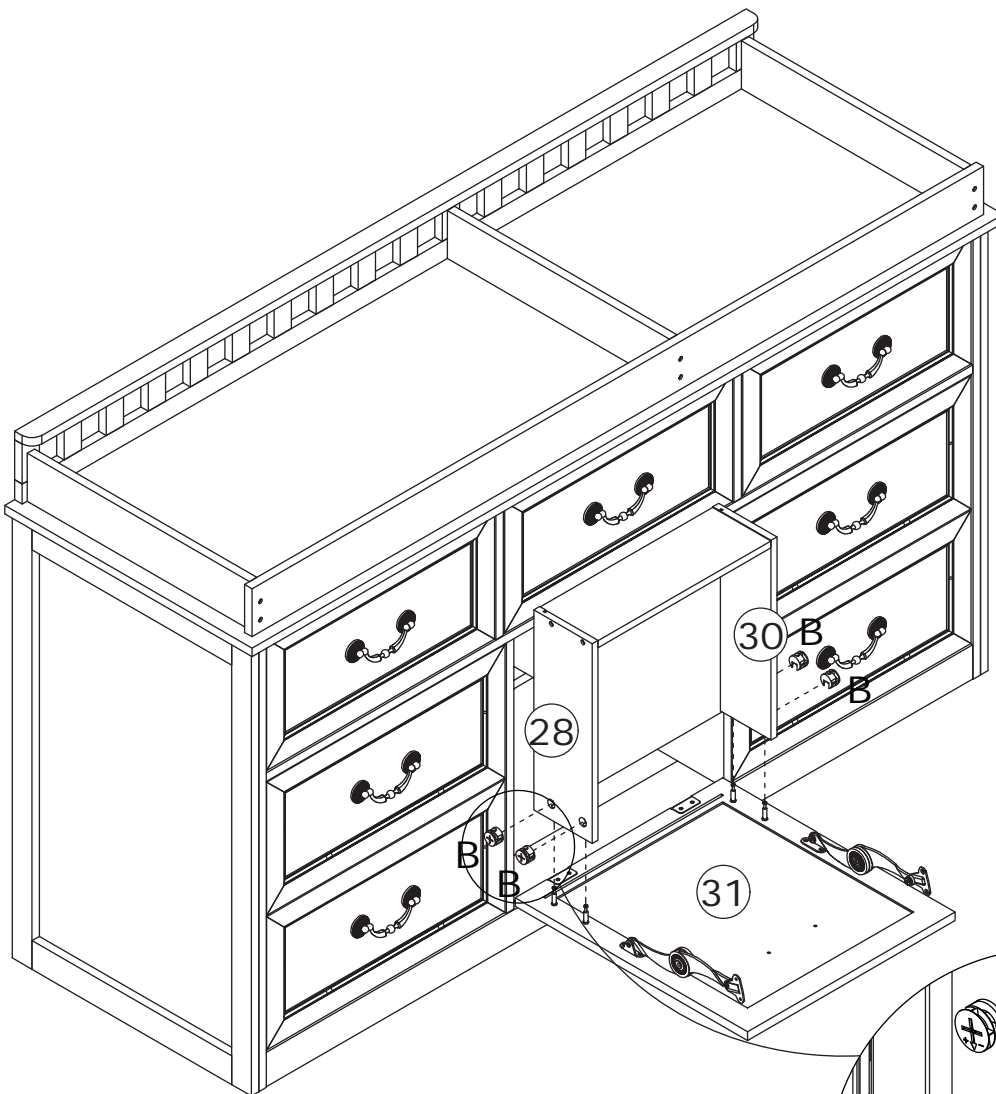
B x 4



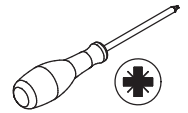
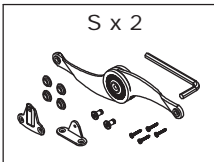
Ø 15 x 10 mm



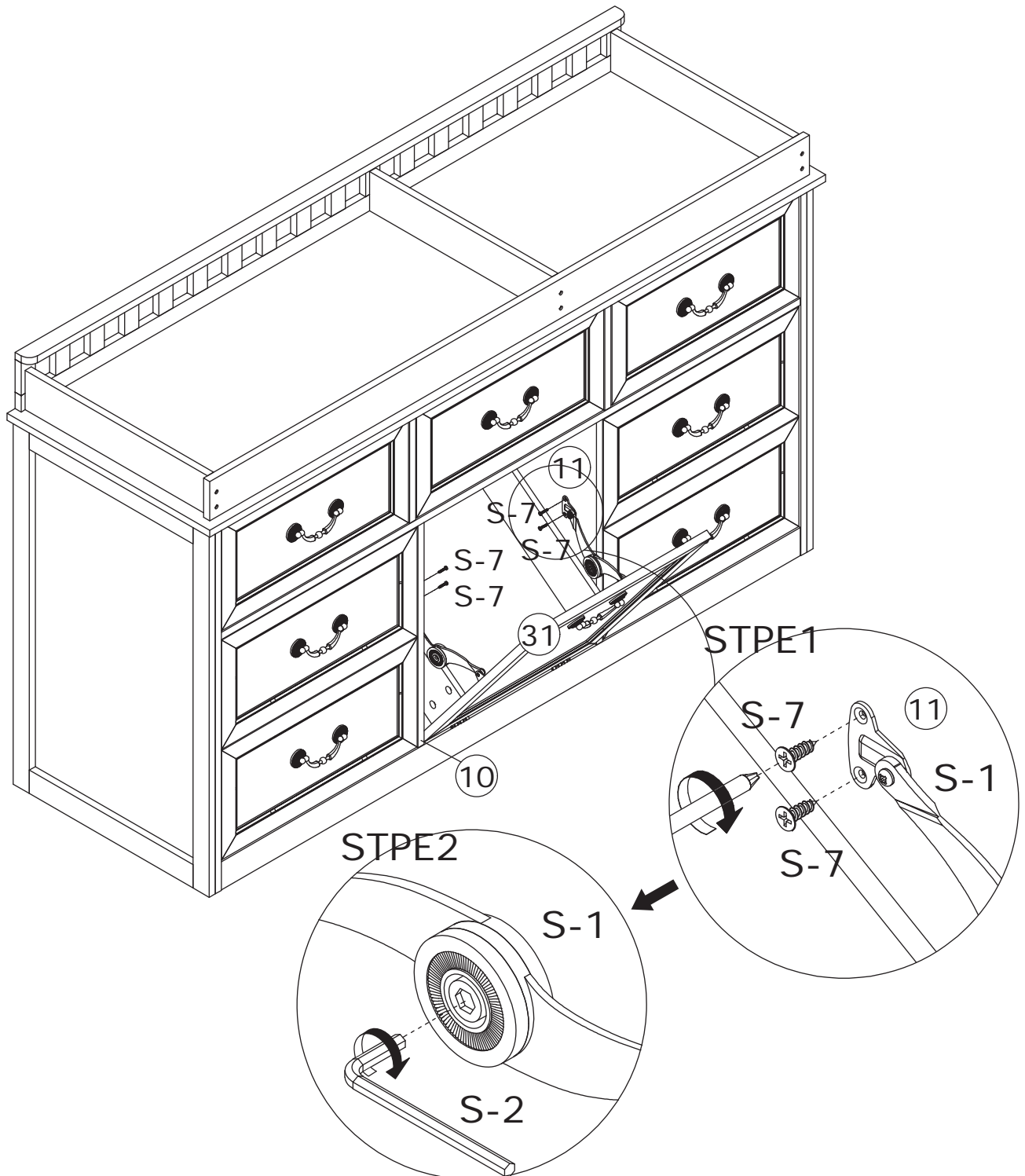
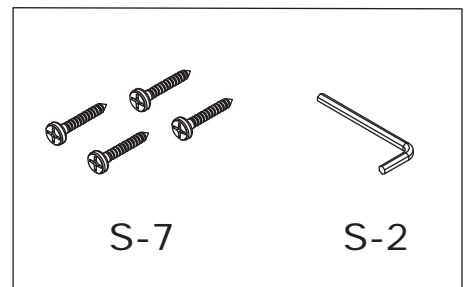
Connect part 28 and 30 to part 31, then tighten by turning eccentric cam B clockwise, as shown.



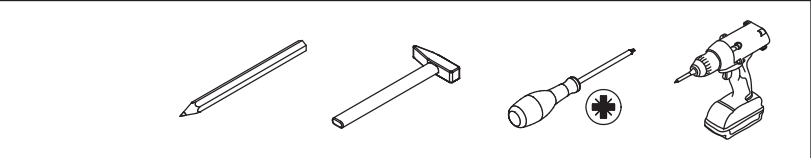
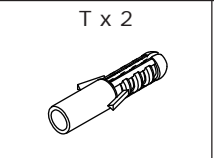
35



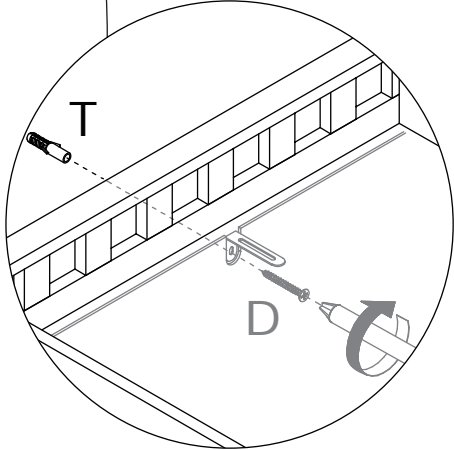
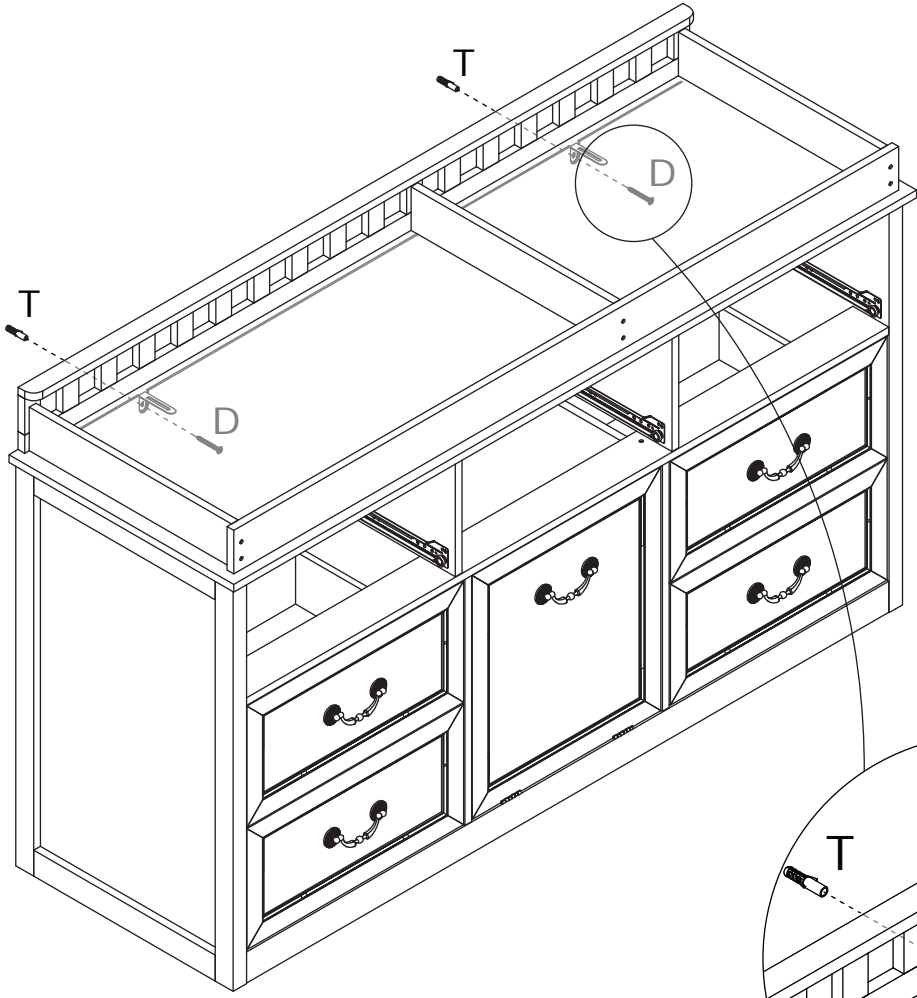
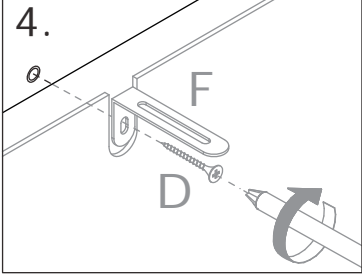
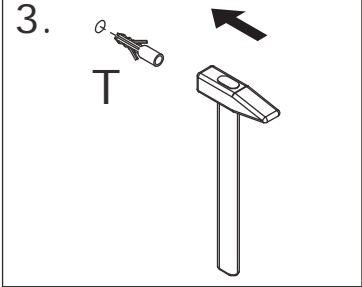
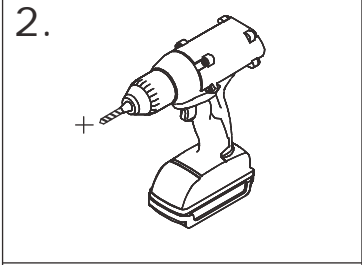
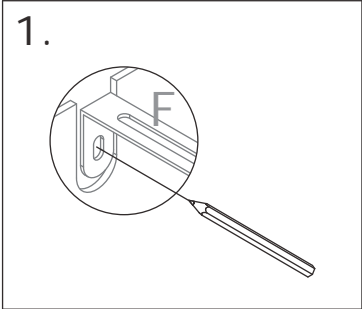
Secure component S onto part 10 and 11 using screw S-7.
Use hex key S-2 to adjust the firmness of component S-1, as shown.



36



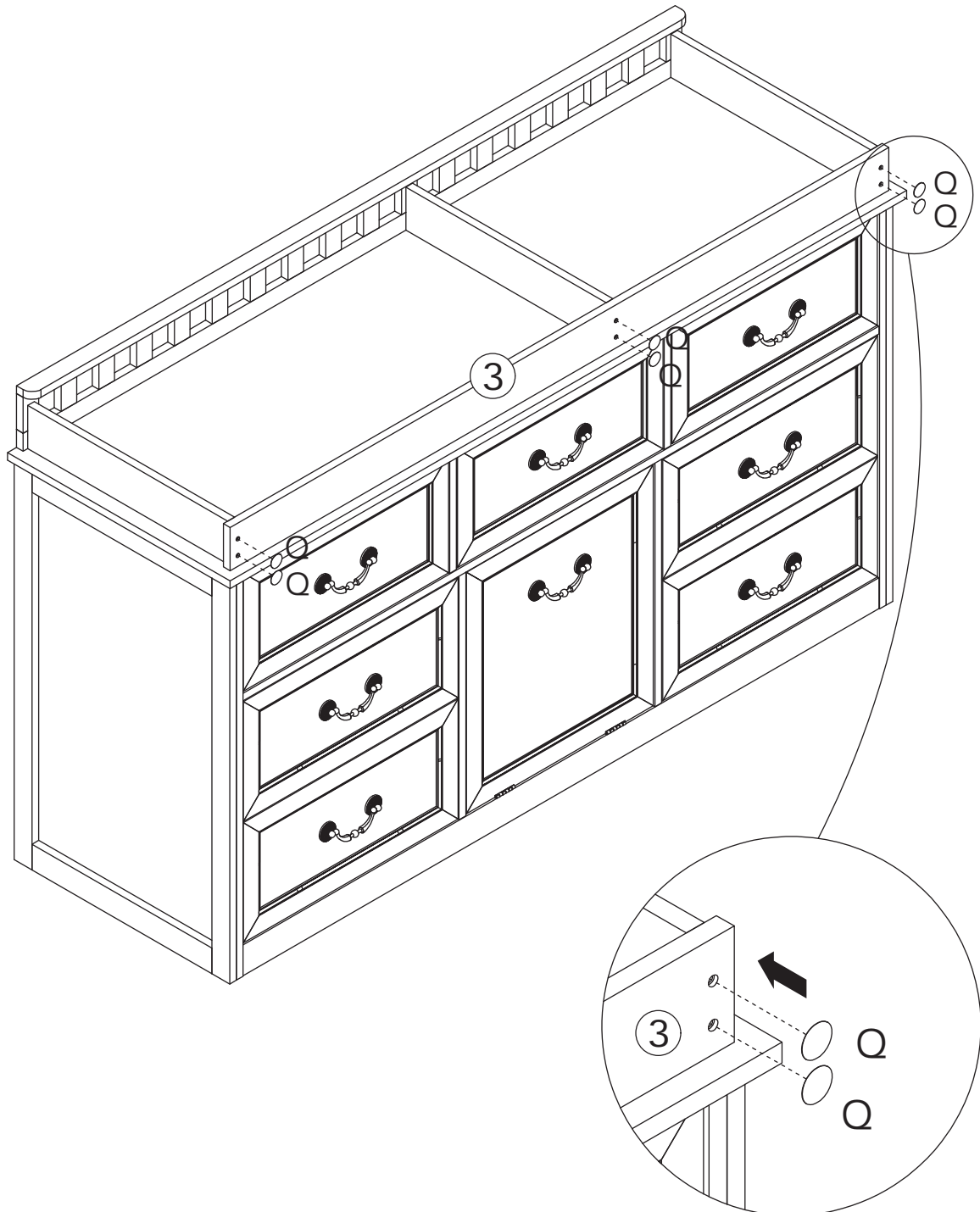
Install anti-tipping device as shown.



37

Q x 6 	
--	--

Cover the visible holes using sticker Q,
as shown.



WARRANTY

WARRANTY CLAIMS

- There is a 30-day warranty for broken furniture or any other problems that do not work properly. The warranty will start from the date of purchase which must be verified by proof of purchase.
- Before making a claim, we may be able to answer your query, simply call us. Please leave your purchase order number, along with some details of the problem, if you want a replacement part. We will arrange within 48 hours. If there is out of stock, we will reply with a shipping date.
- The product must be used in accordance with the instructions provided. For health reasons.
- For other reasons, if the furniture needs to be returned, it must be cleaned and dried and operated within 30 days of receipt.

Type of Warranty Claim

- Failure to follow the furniture instructions will invalidate the warranty. Attention please.
- Does not include damage during installation, but includes damage during transportation.

Scope of responsibility

- Shall not bear any responsibility for misuse or user damage and / or loss of parts during the installation of furniture.
- After using, the damage and scratches of the furniture are not covered by the warranty.

The Warranty Relates to All Bought in The Us and Covers The Following Areas

- Sheet parts: 1 month from the date of purchase.
- Electrical parts: 1 month from the date of purchase.

RETURNS

CHANGED YOUR MIND AND NEED TO RETURN YOU ITEM?

PLEASE FOLLOW THE BELOW INSTRUCTIONS:

- If you have purchased and have simply changed your mind, follow the retailer's instructions for returns.

DEFECTIVE ITEMS

- If your item is defective in any way, i.e. it doesn't work but you can't identify why, in the first instance, please call us.

DAMAGED ITEMS

- If you receive an order with obvious shipping damage from the retailer, then we suggest the delivery is refused. If the delivery has been accepted and then shipping damage is found, please follow the specific instructions advised by the retailer.
In all circumstances please save all packaging material and paperwork for the order. Please be aware that if you dispose of packaging material or attempt to return the merchandise without contacting the fulfiller, you jeopardise your chances of making a claim, and you may not receive a credit for the return.