






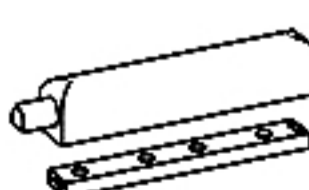



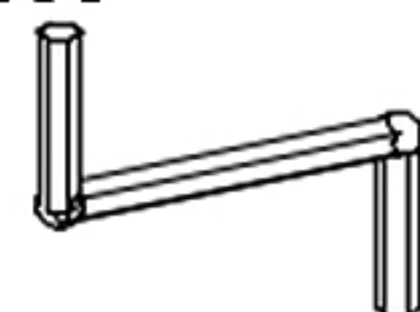




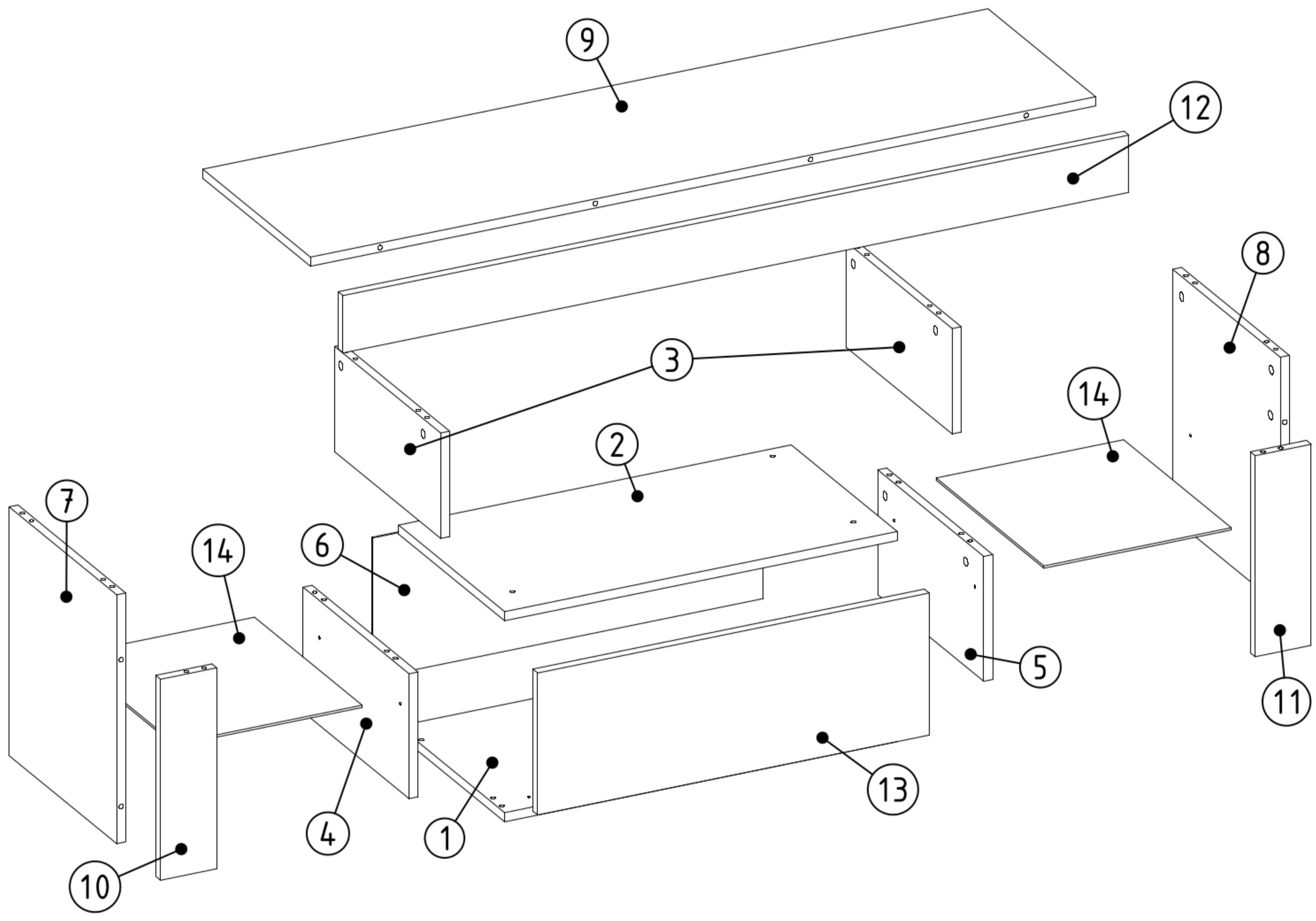



N2  L=35mm x 20	M3  12x15mm x 24	A0  ZP x 2	S1  3,5x16mm x 4	N3  L=46mm x 2	E3  8x50mm x 2	E1  8x30mm x 16	T3  L=83mm x 1
T1  x 8	F2  7x50mm x 8	Z2  x 20	K1  x 1	M2 x24  ø17mm x 6	V1 x18  6x8mm x 1	S15  x 2	D2  5x16mm x 8



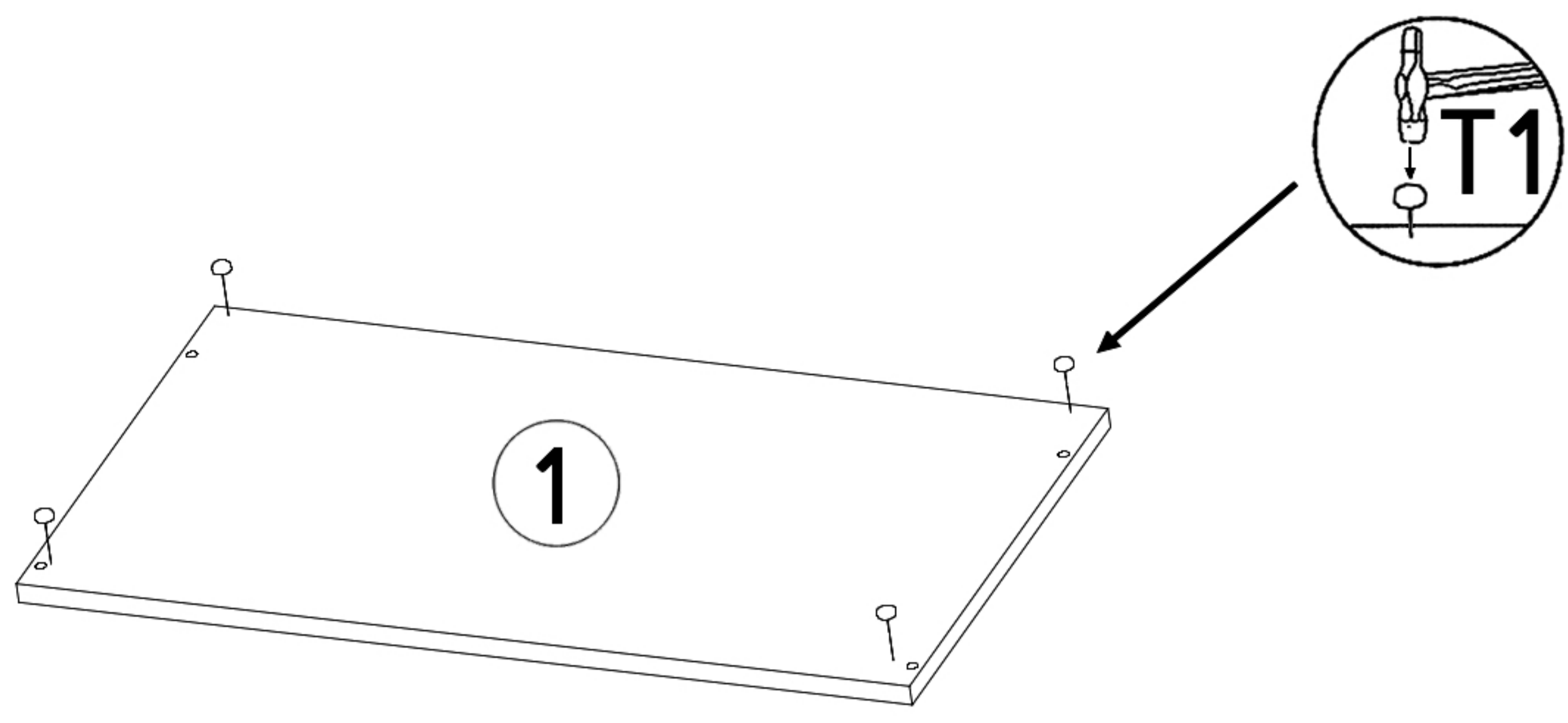
1	x	1
2	x	1
3	x	2
4	x	1
5	x	1
6	x	1
7	x	1



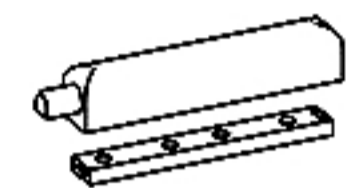
8	x	1
9	x	1
10	x	1
11	x	1
12	x	1
13	x	1
14	x	2

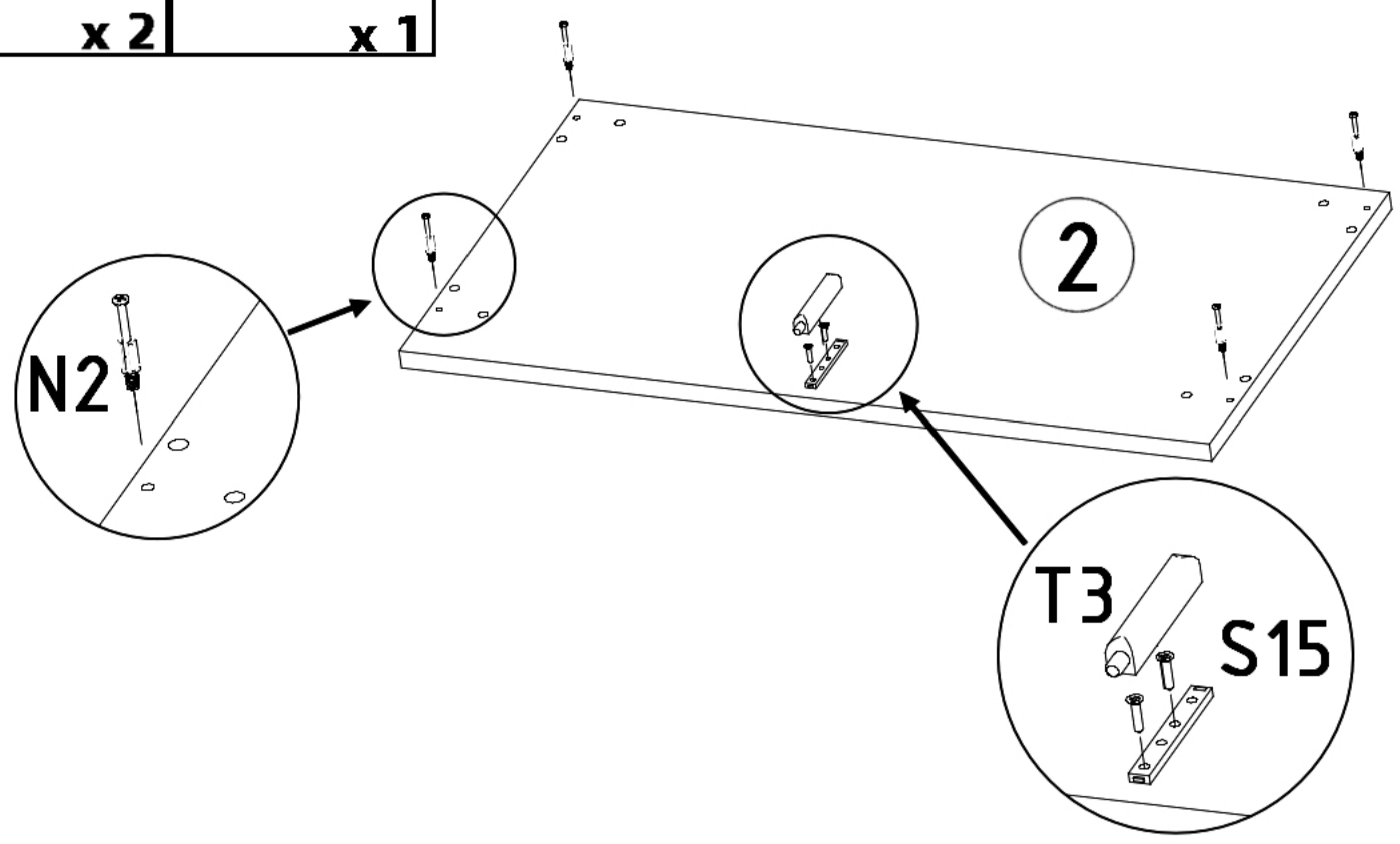
T1





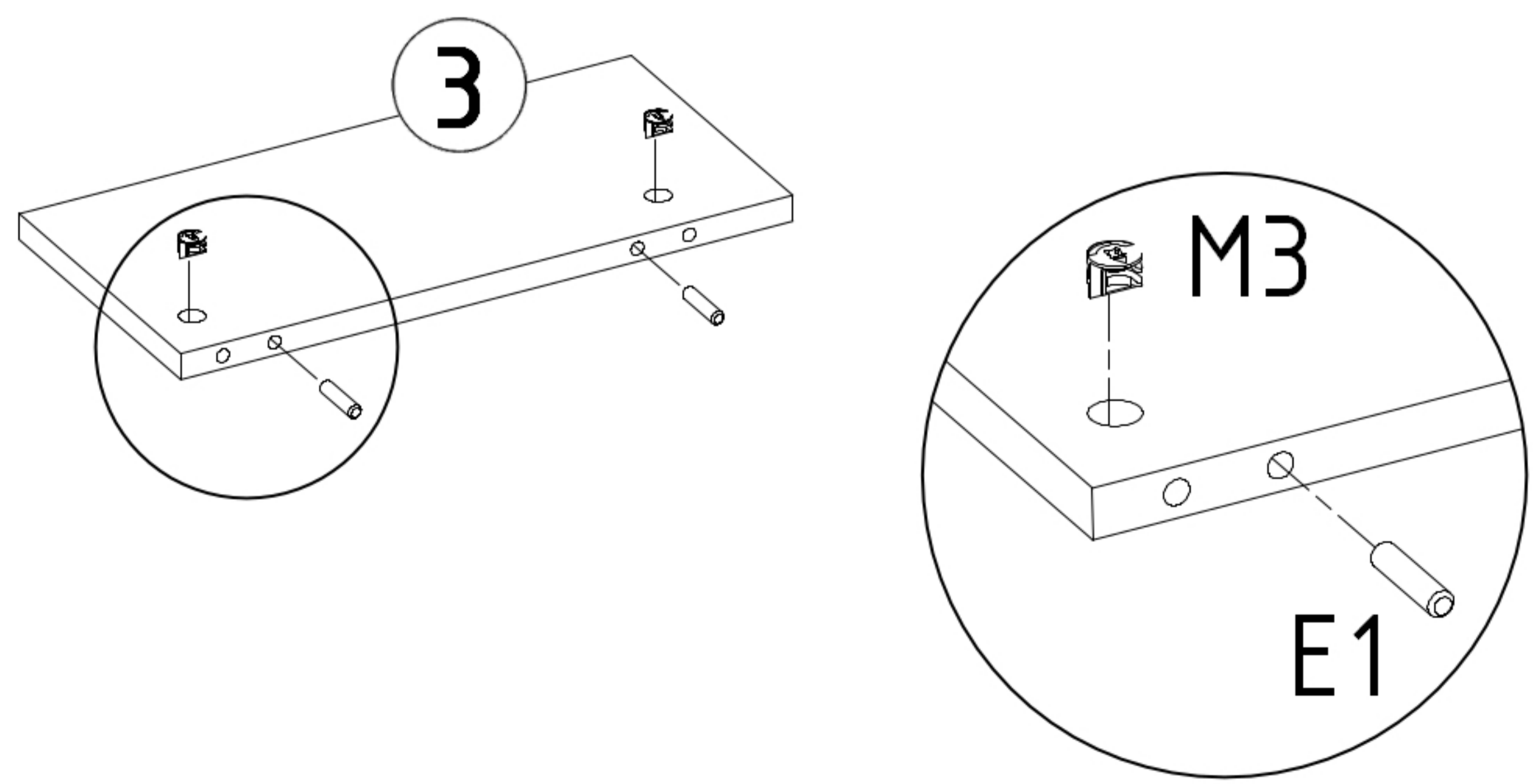
x 4



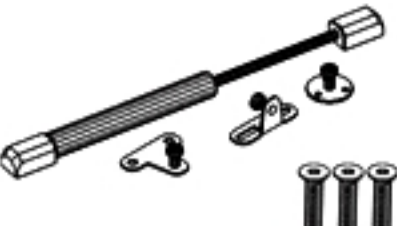


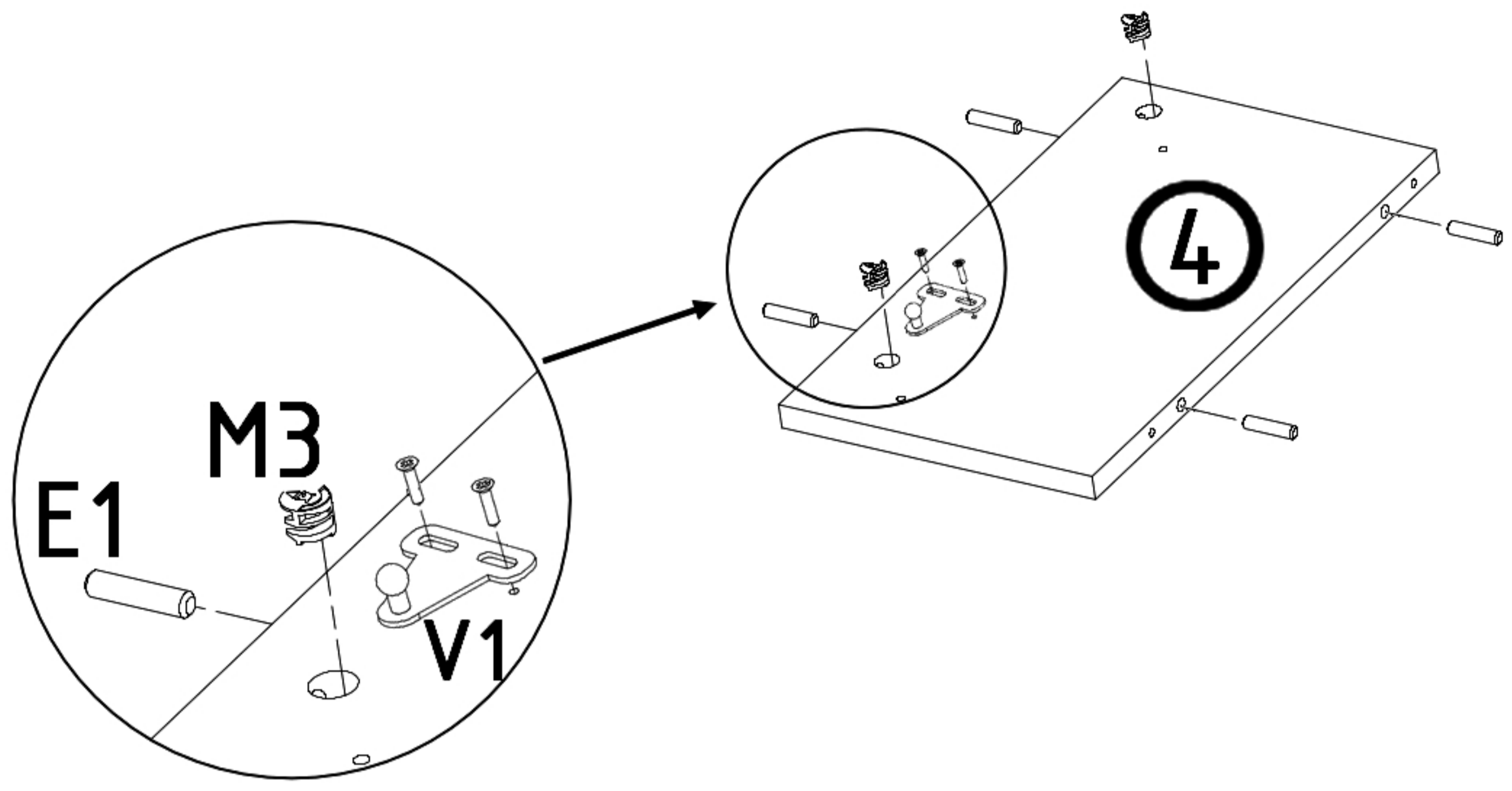
<p>N2</p>  <p>x 4</p>	<p>S15</p>  <p>x 2</p>	<p>T3</p>  <p>x 1</p>
---	---	--





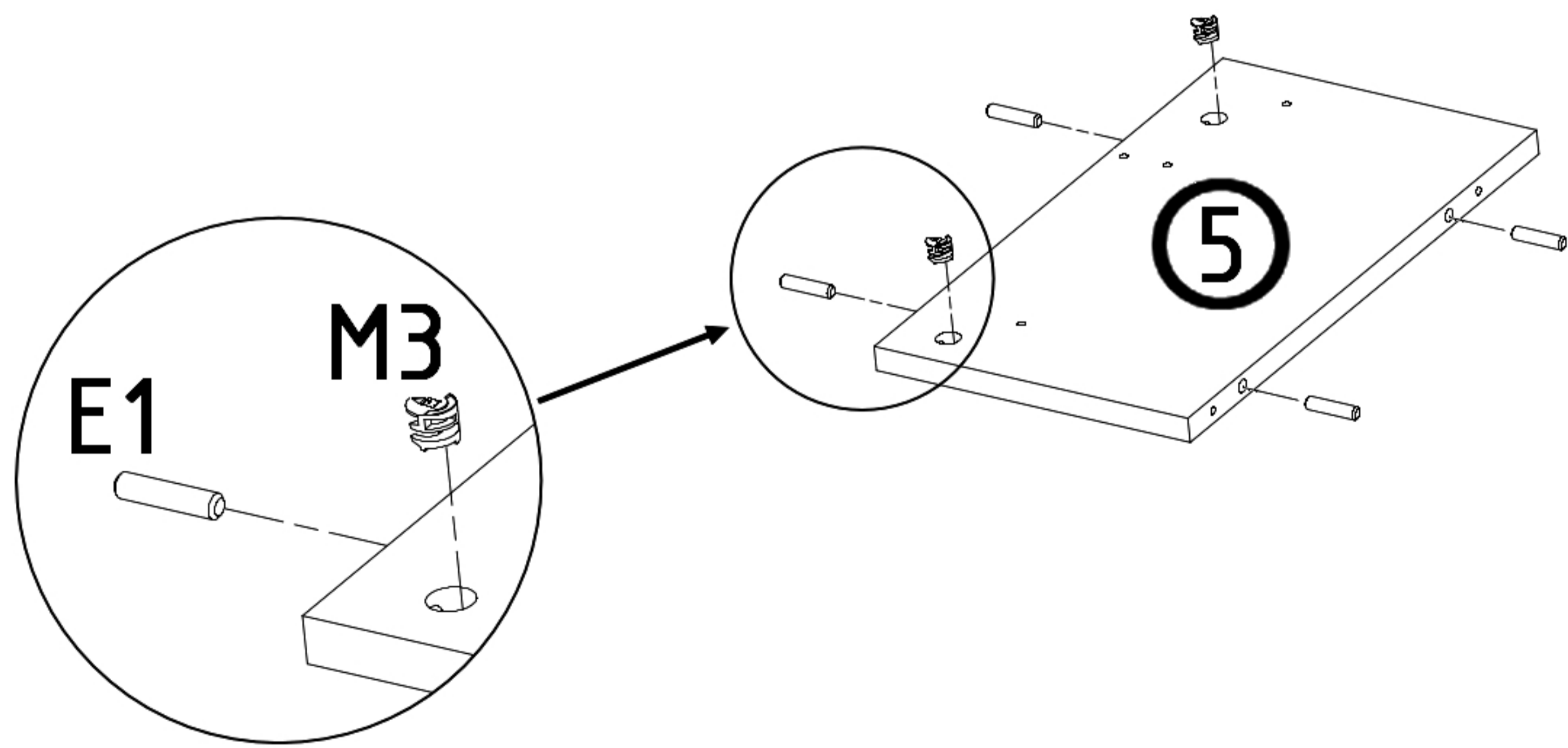
<p>E1</p>  <p>x 4</p>	<p>M3</p>  <p>x 4</p>
---	--

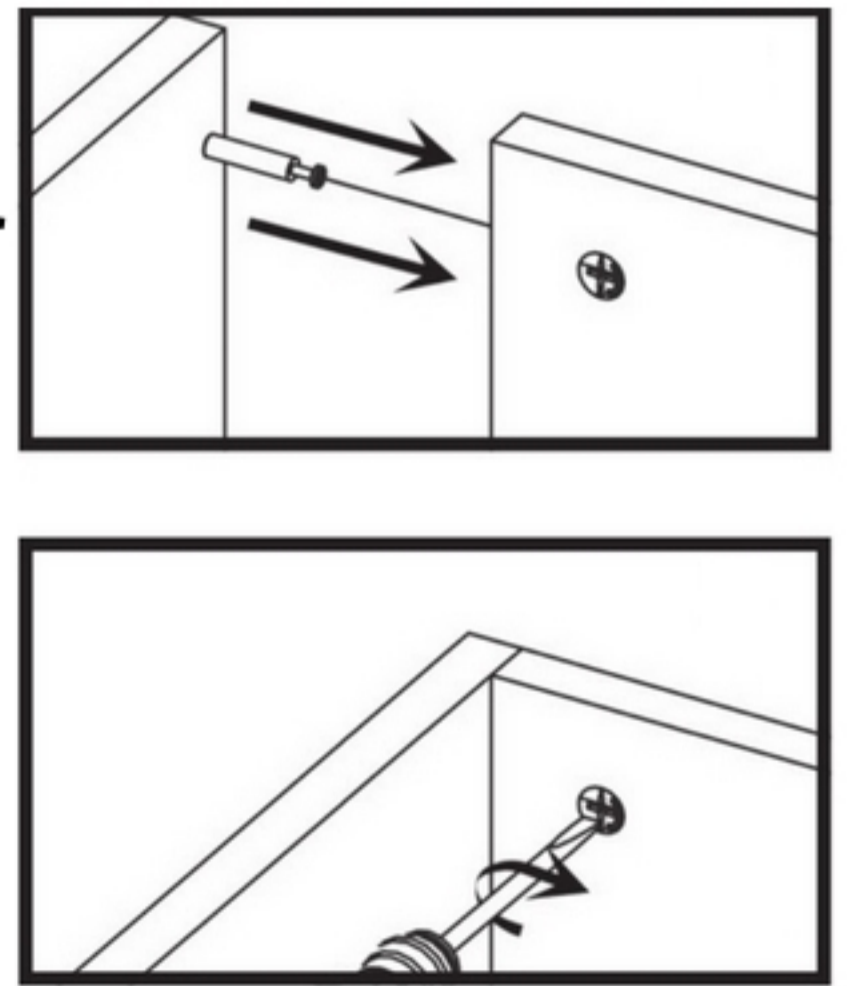
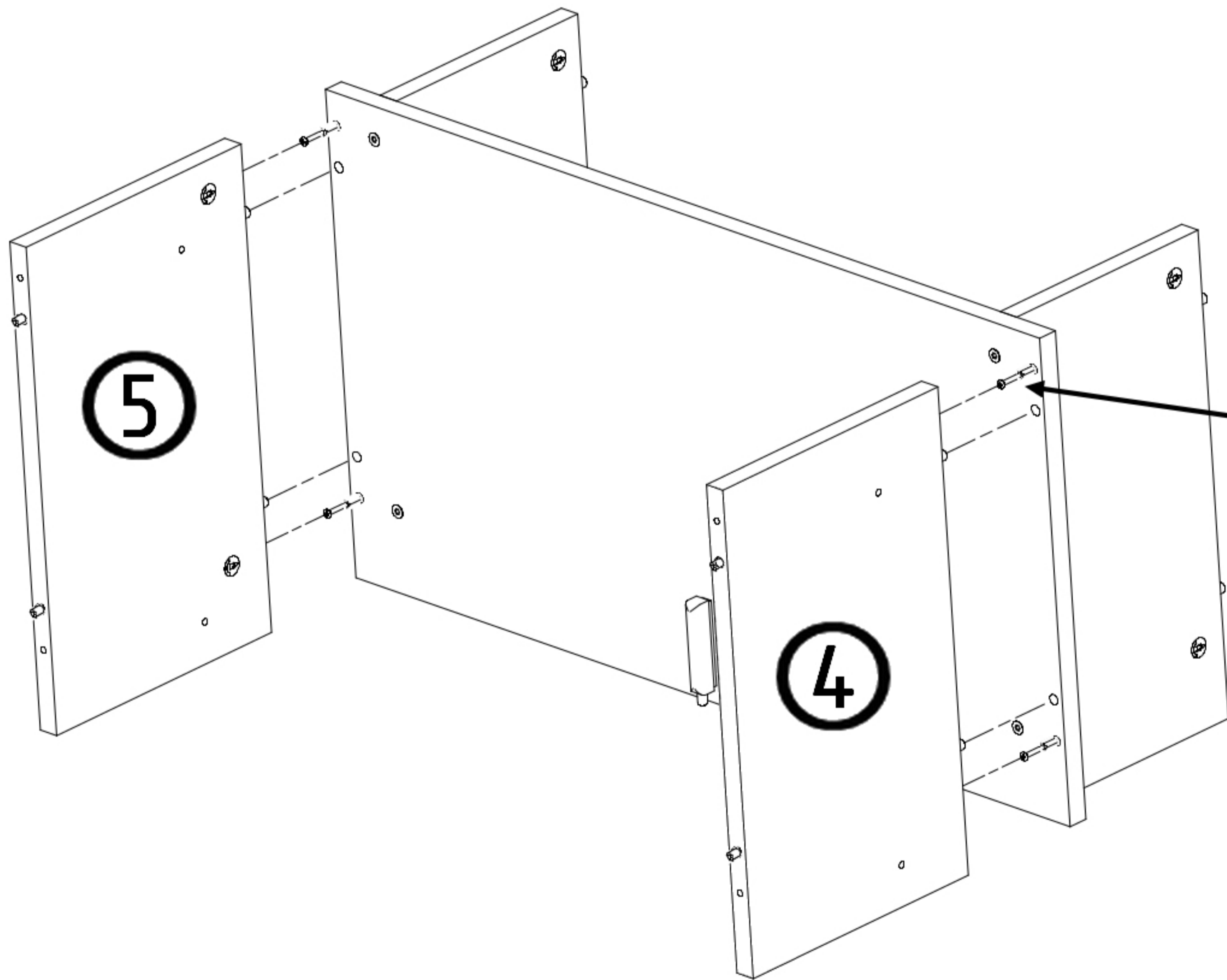
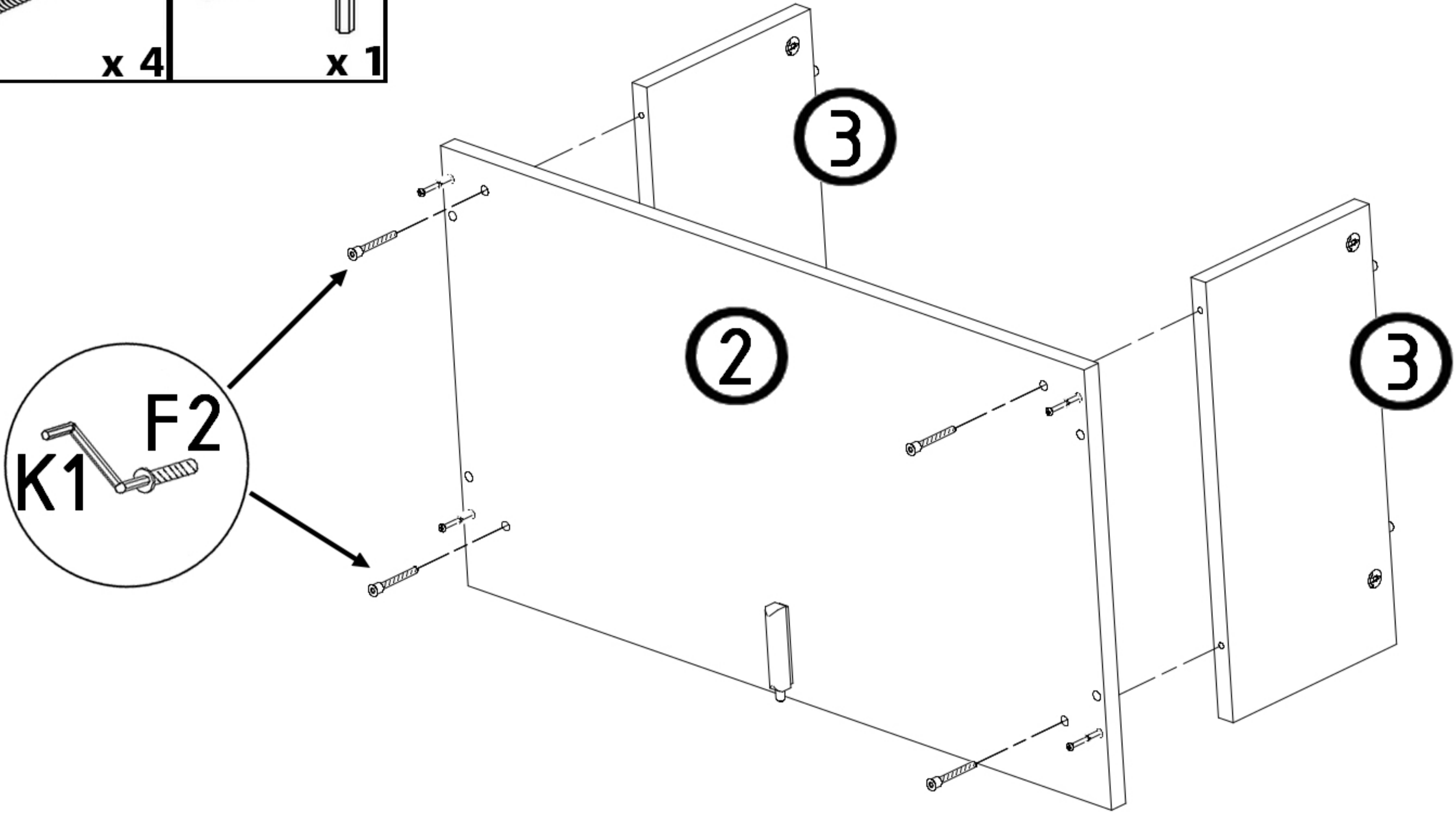
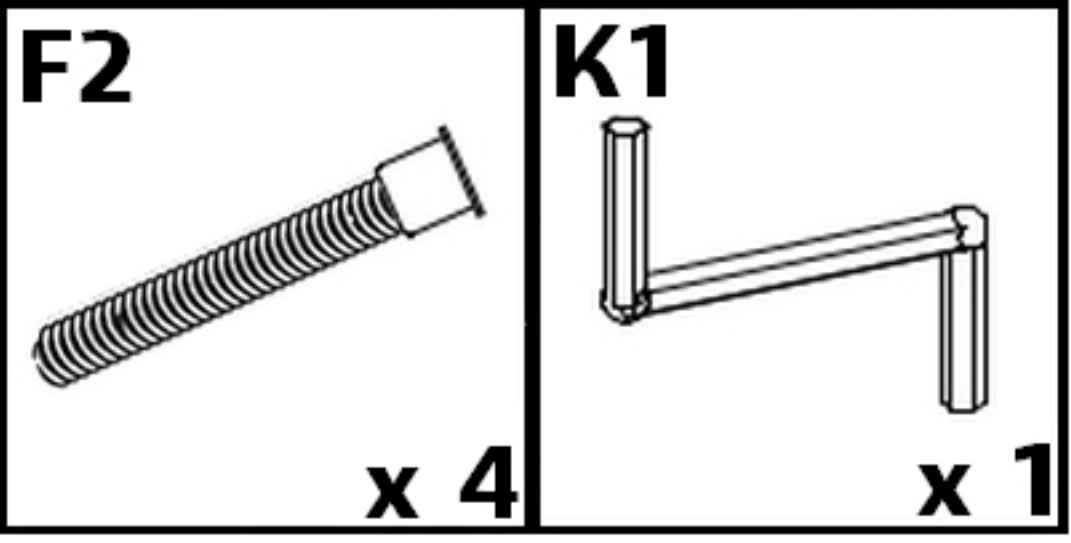


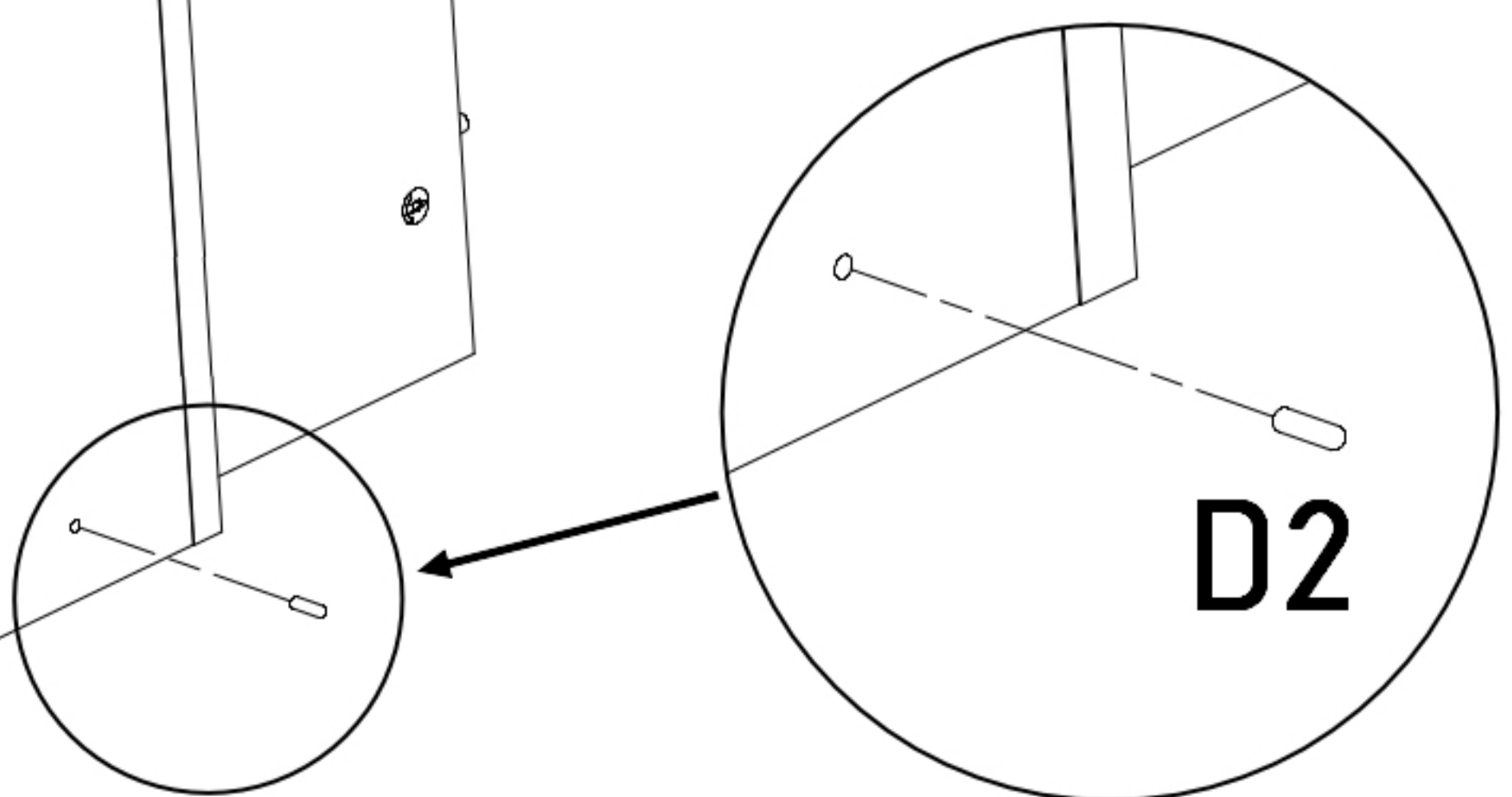
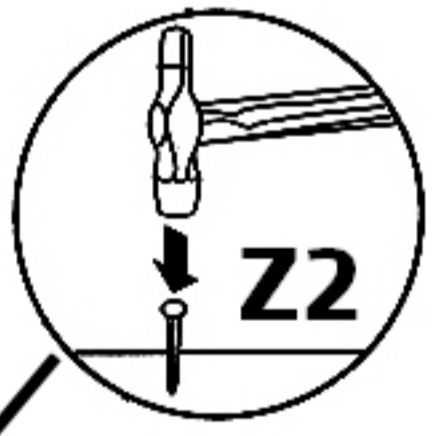
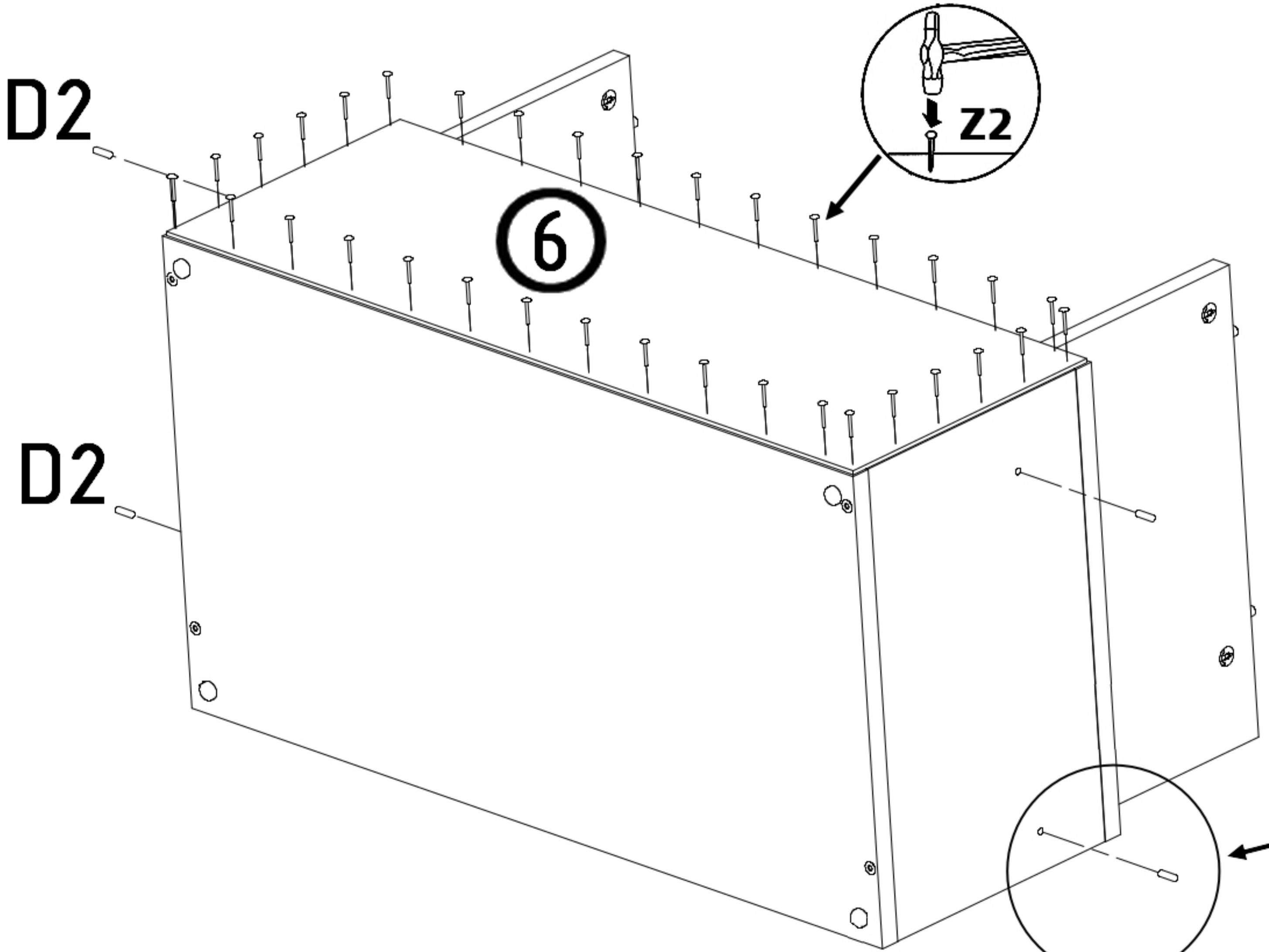
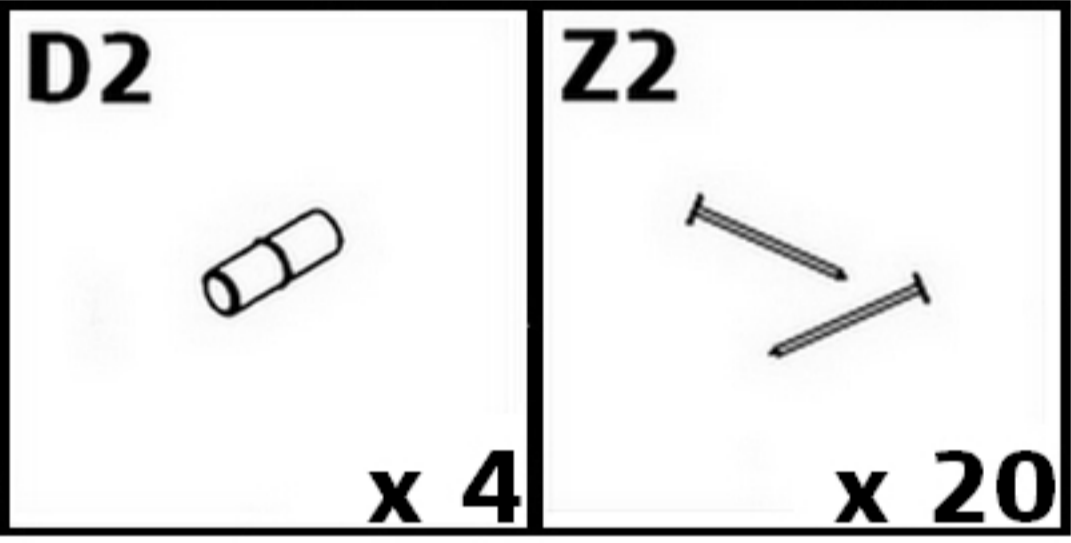
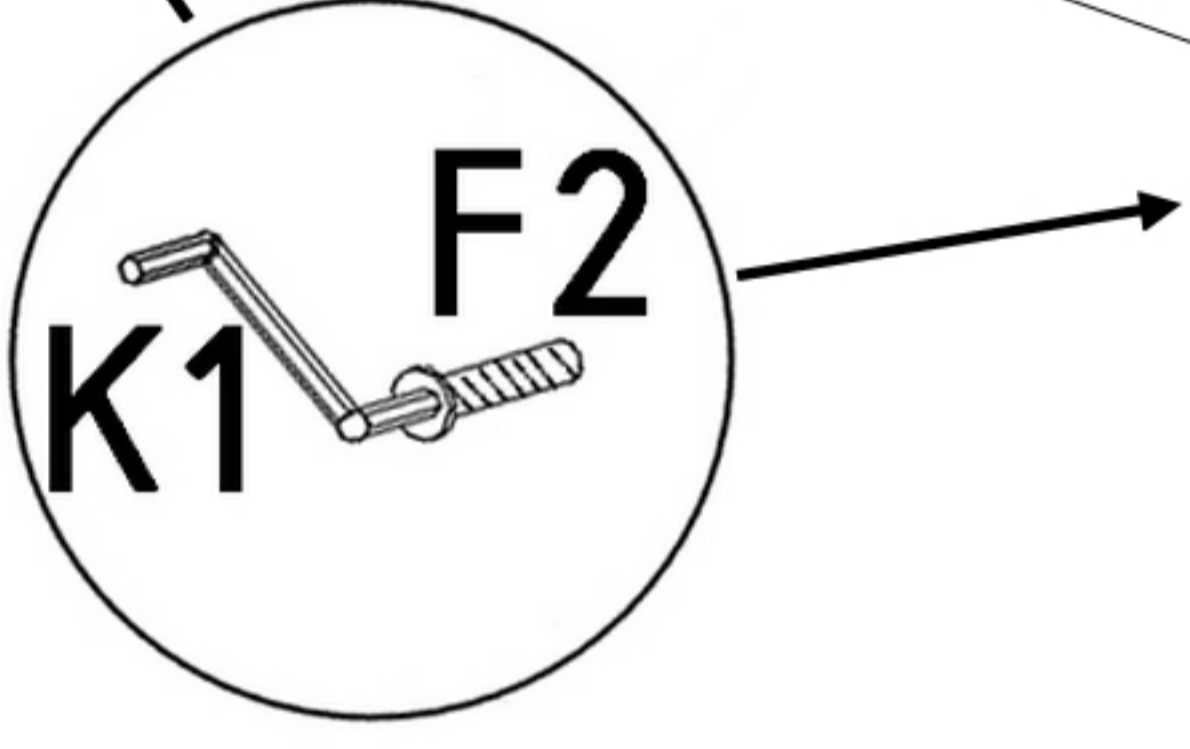
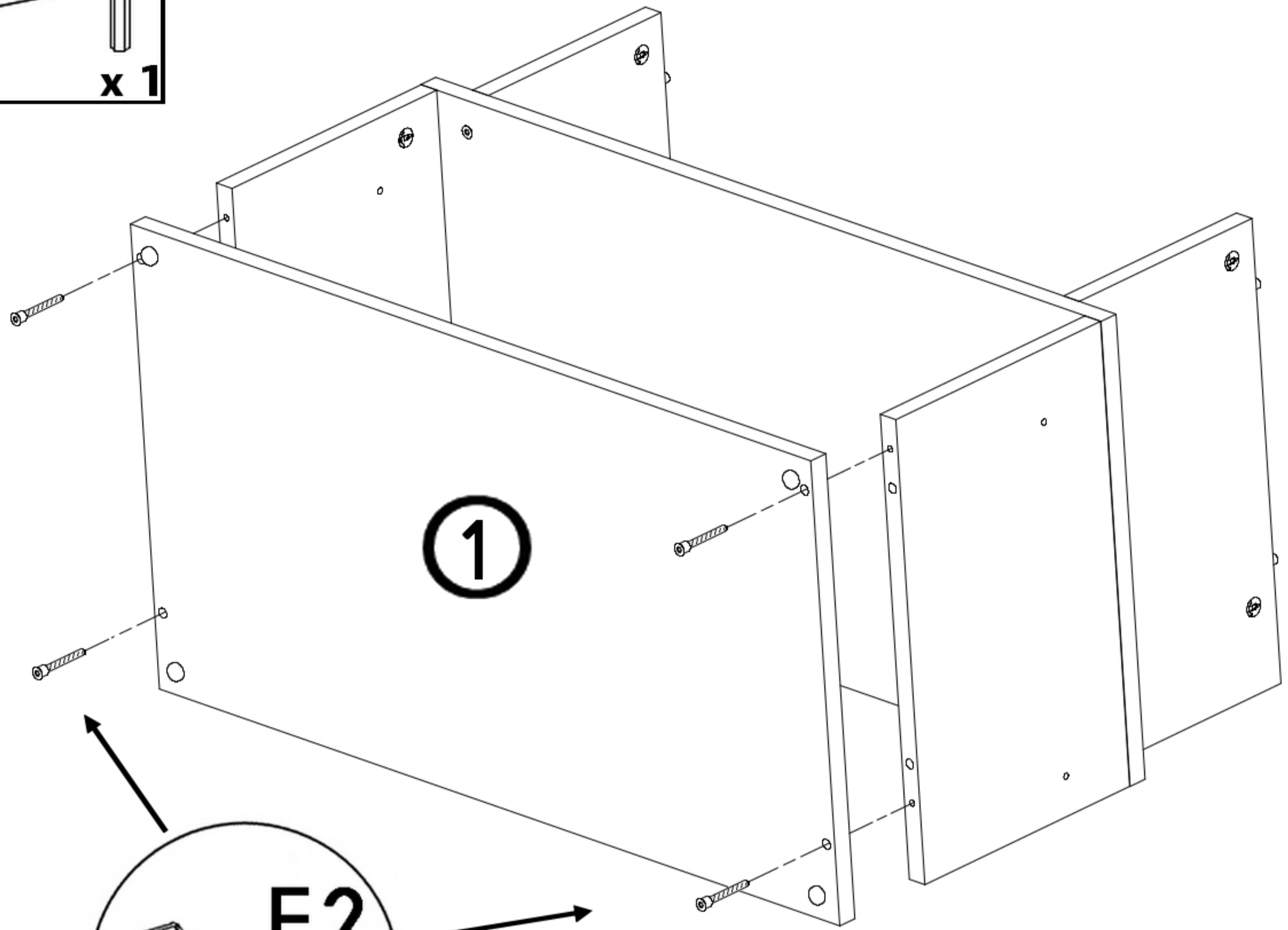
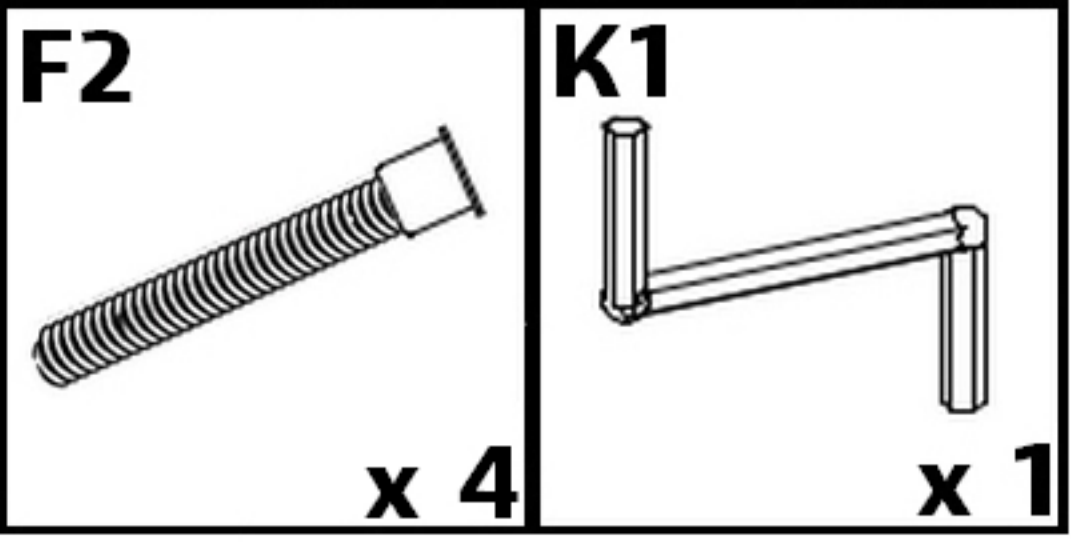
E1  x 4	M3  x 2	V1  x 1
---	--	--

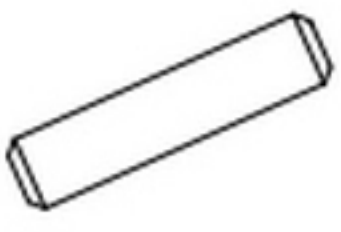


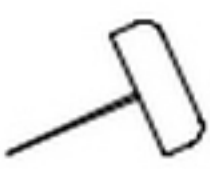


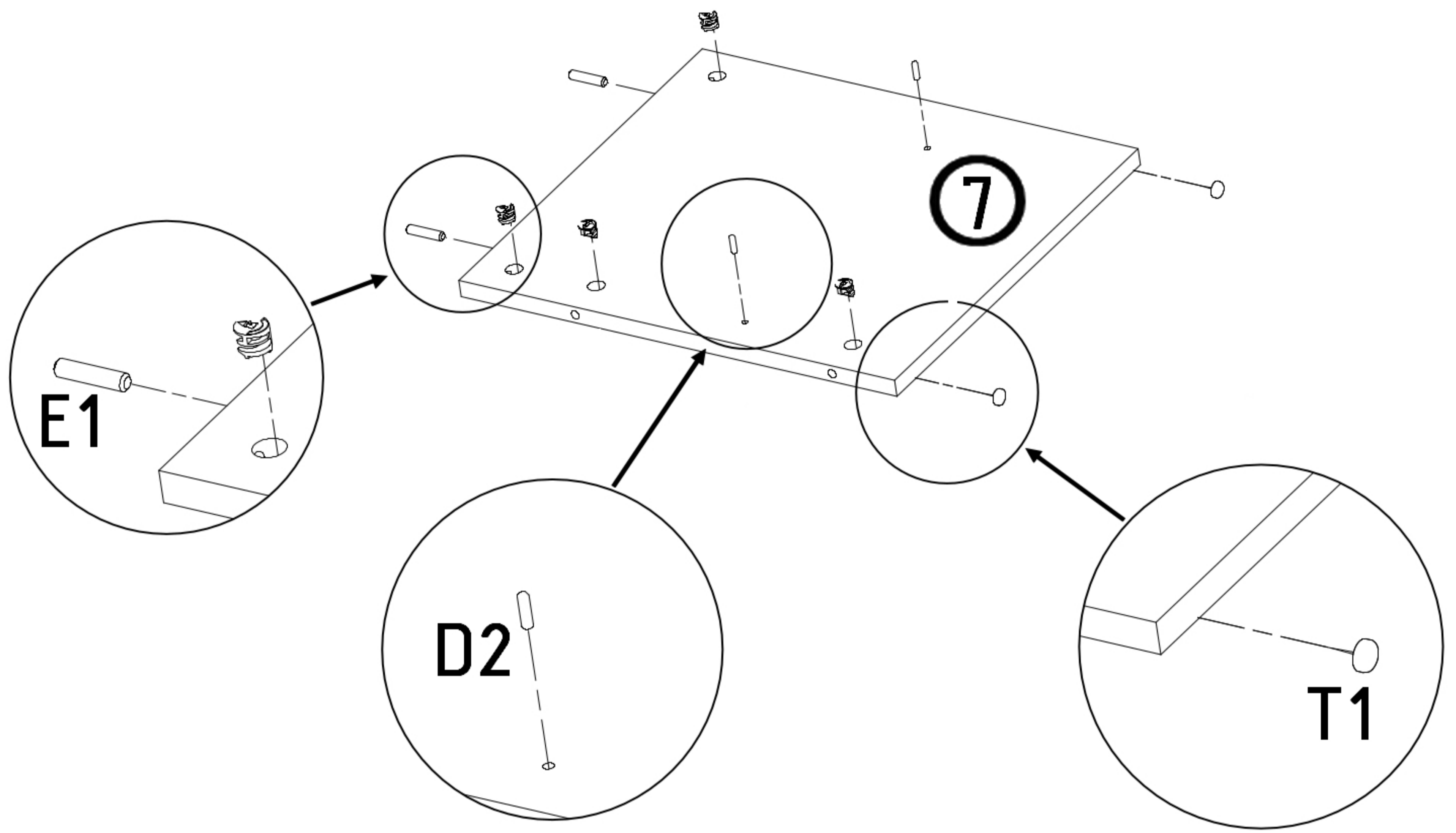
E1  x 4	M3  x 2
---	--




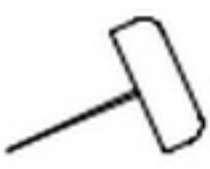


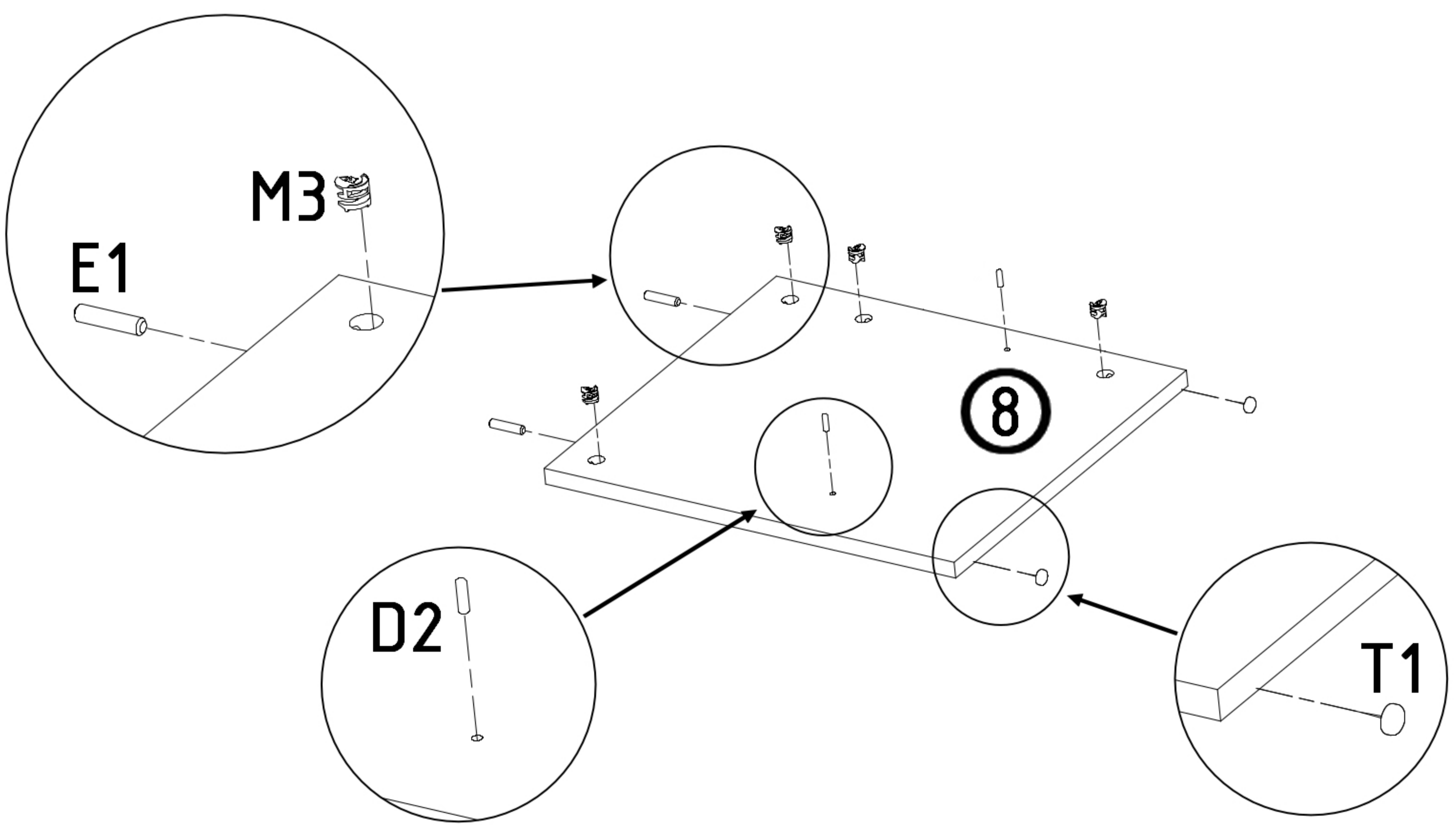


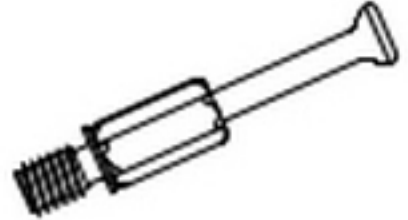



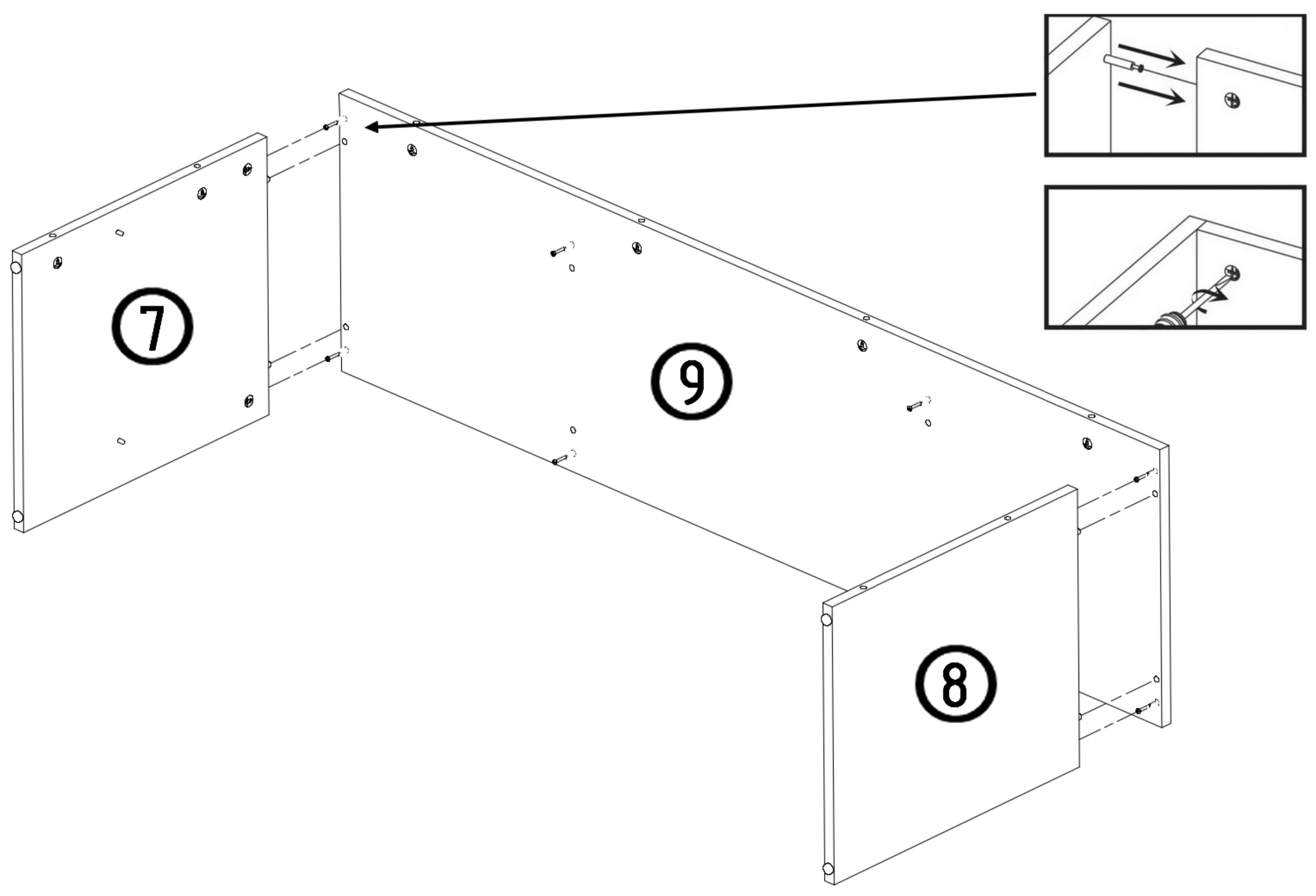
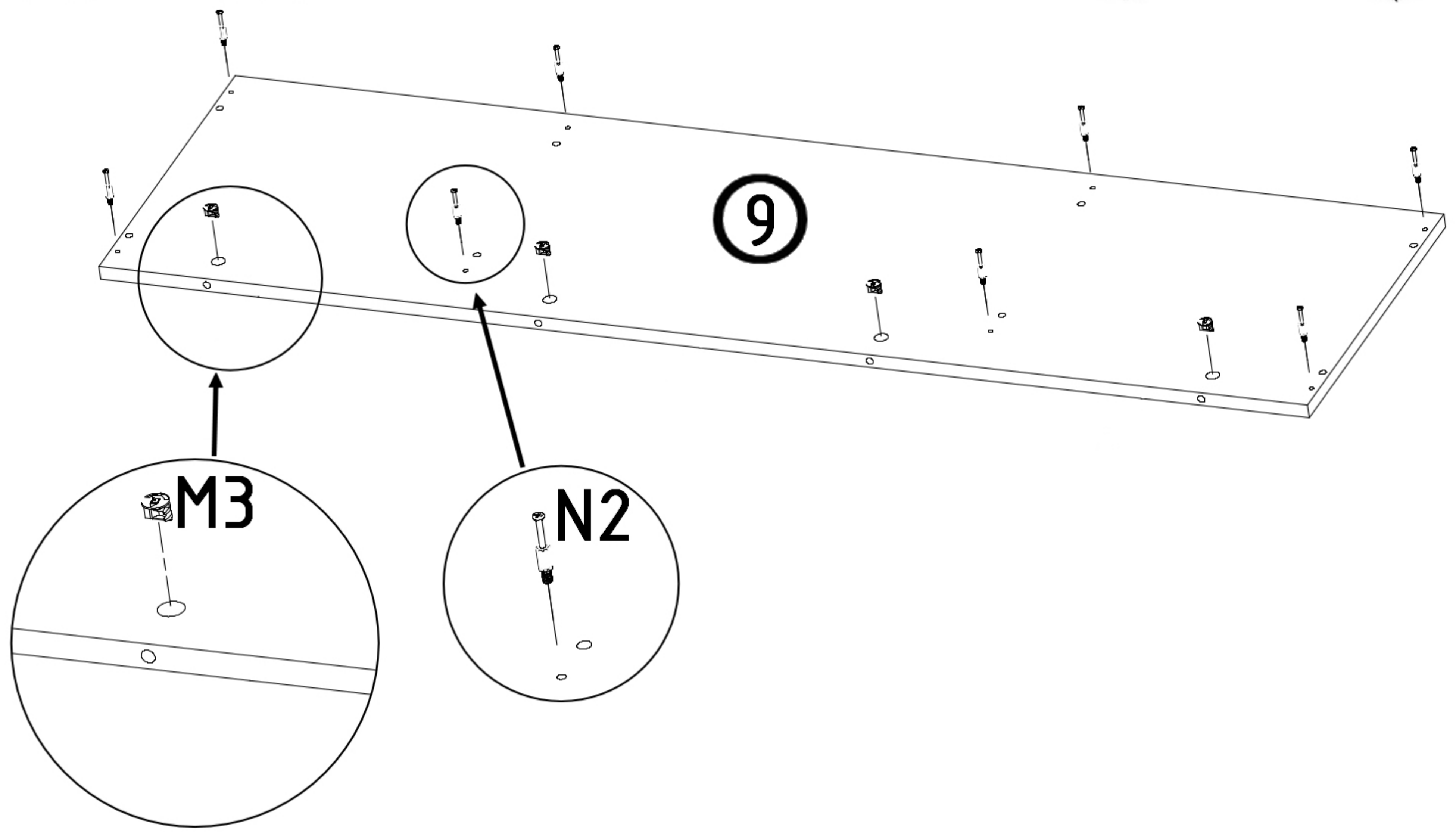
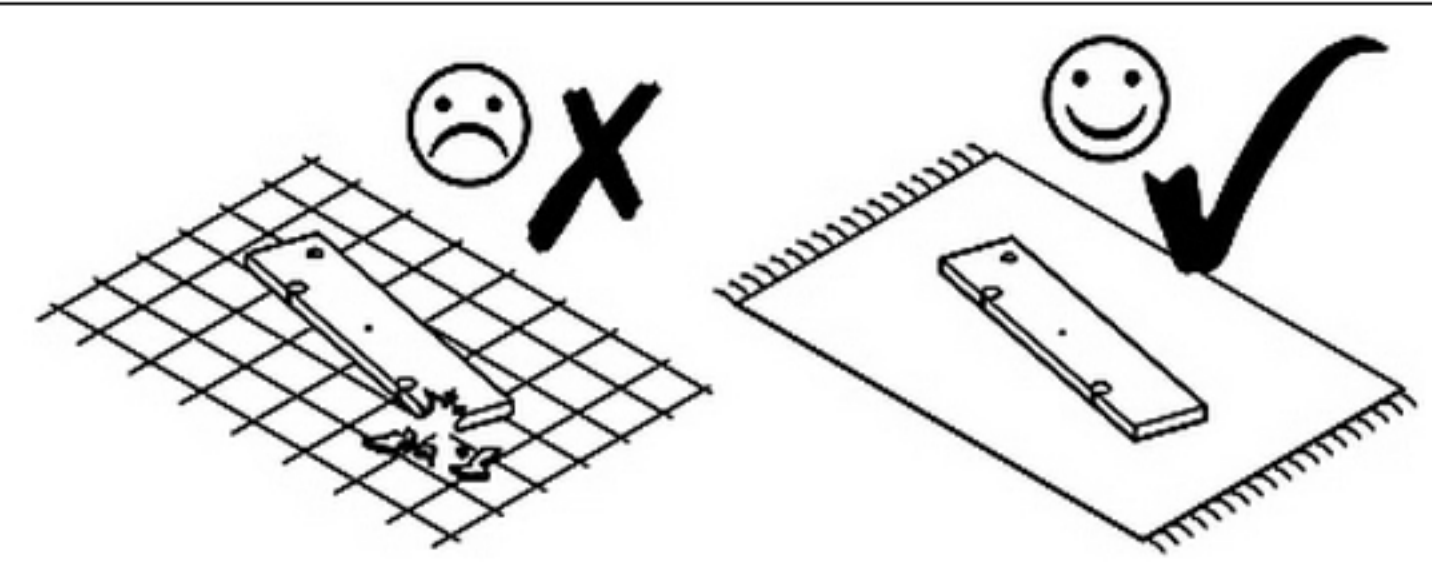
E1  x 2	M3  x 4	D2  x 2	T1  x 2
--	---	---	---






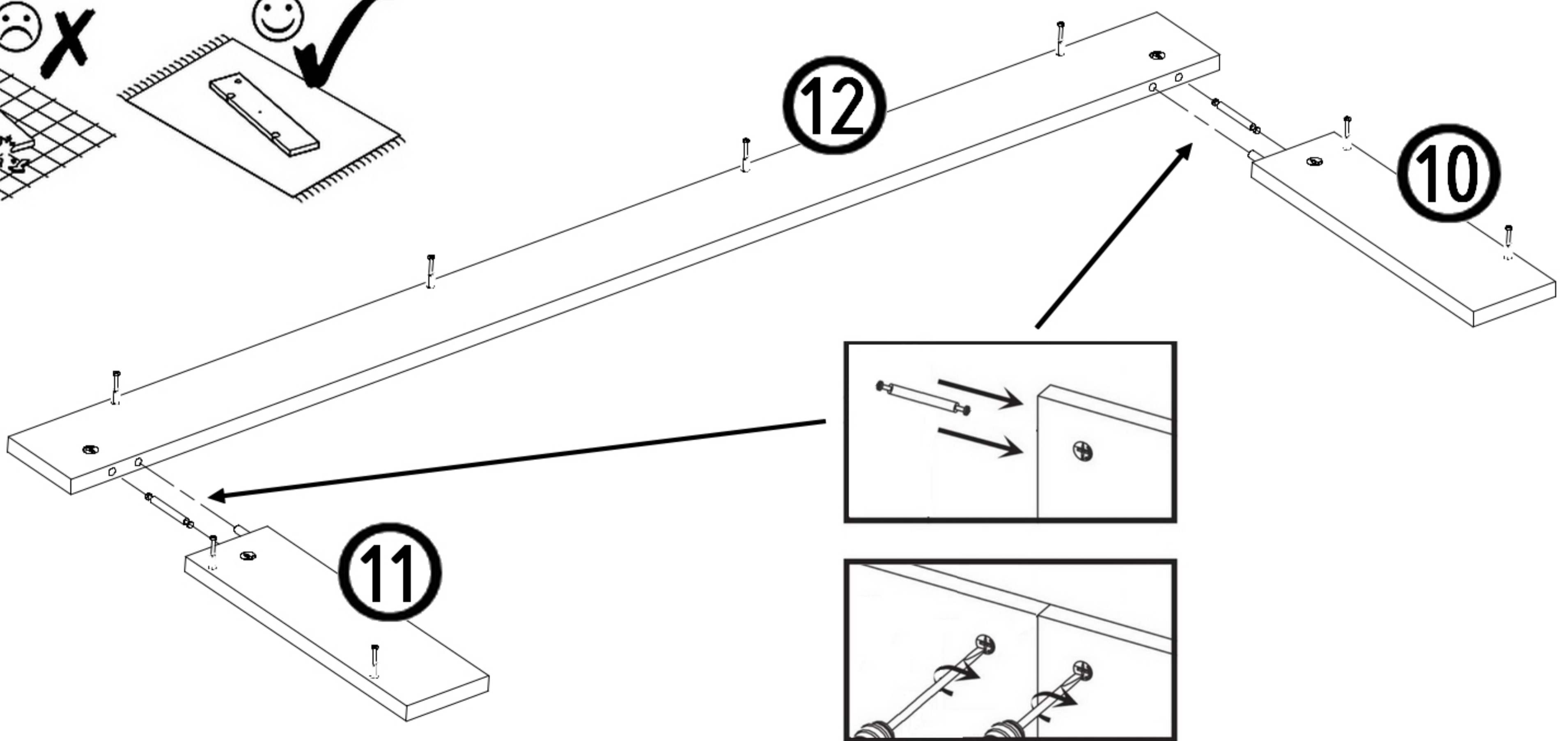
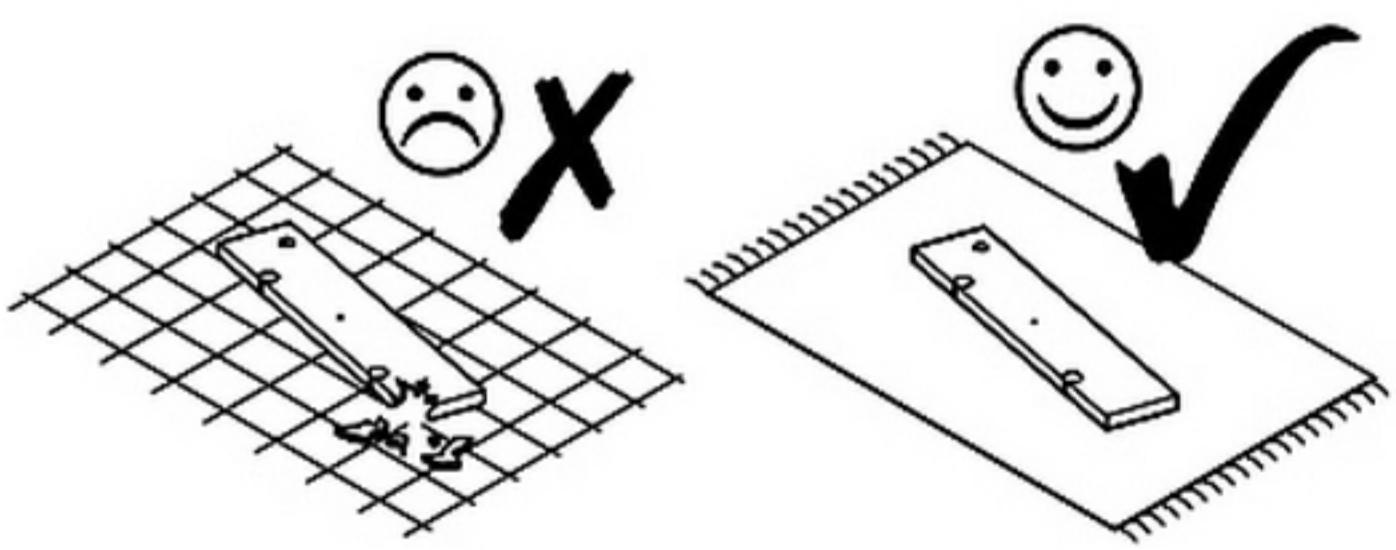
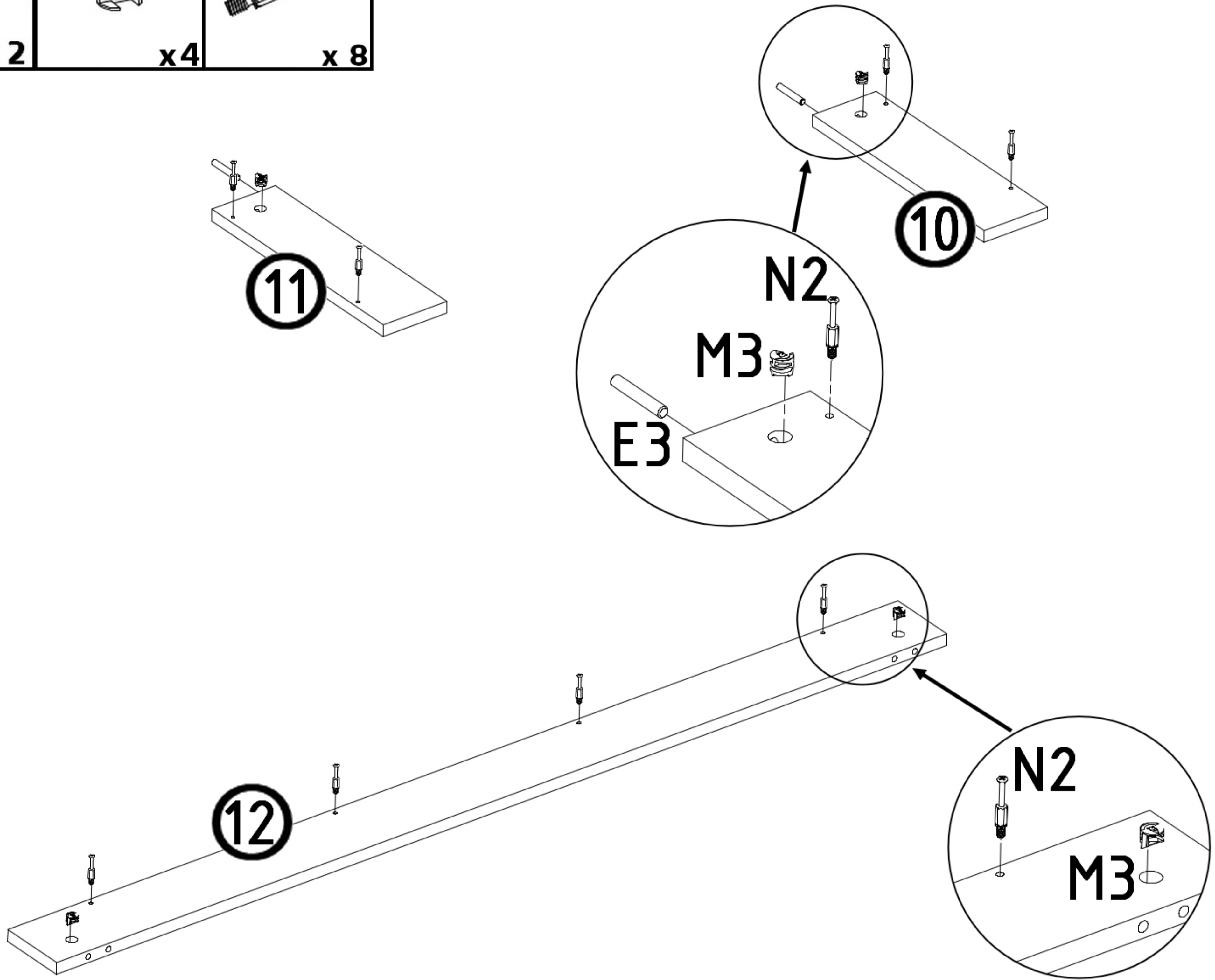
E1  x 2	M3  x 4	D2  x 2	T1  x 2
--	---	---	---

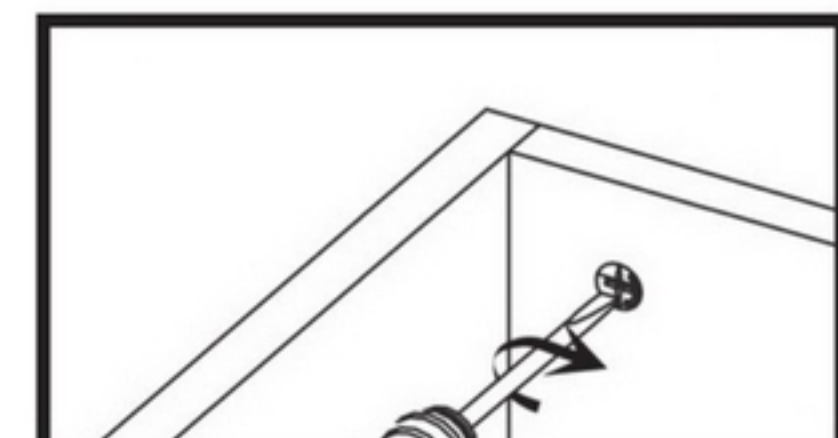
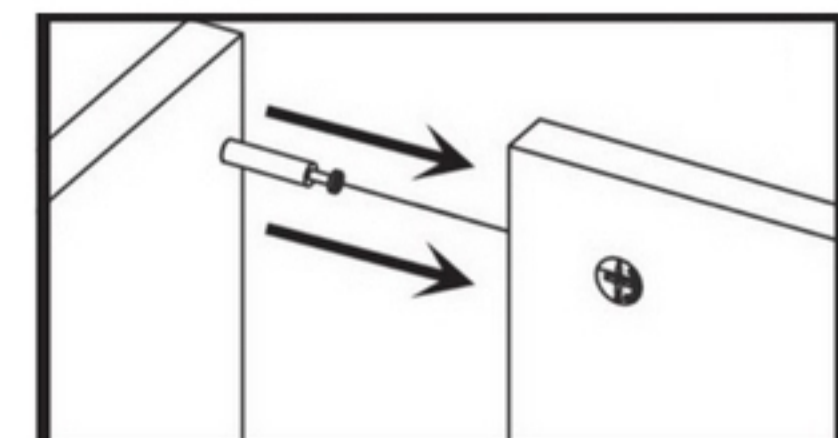
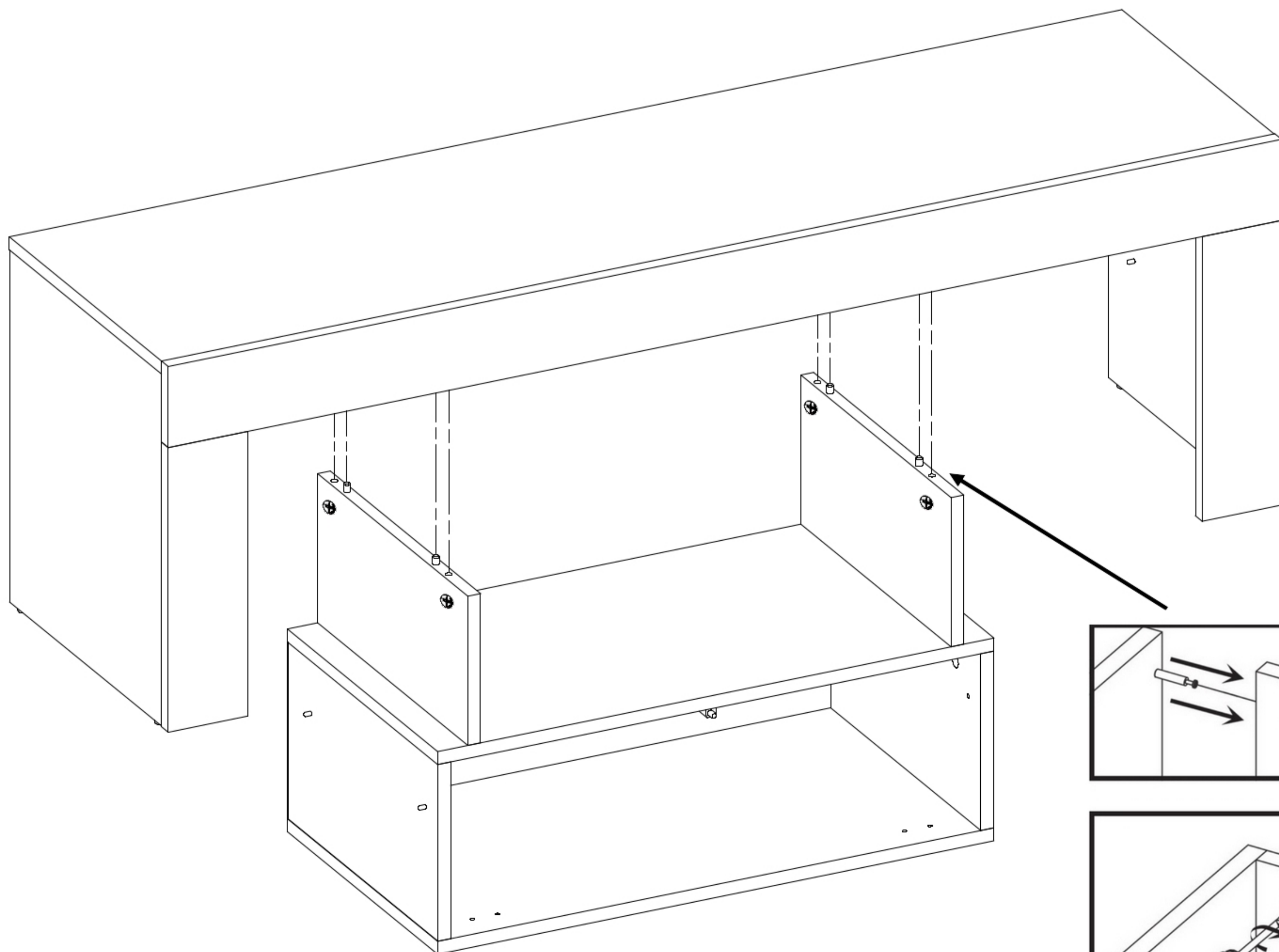
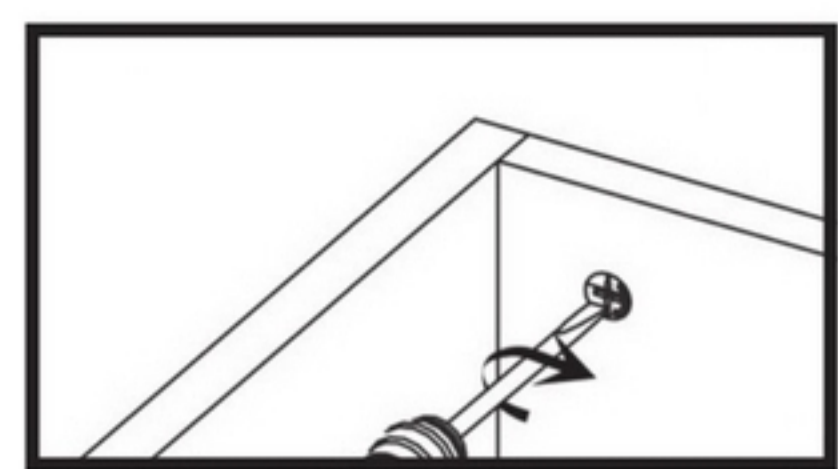
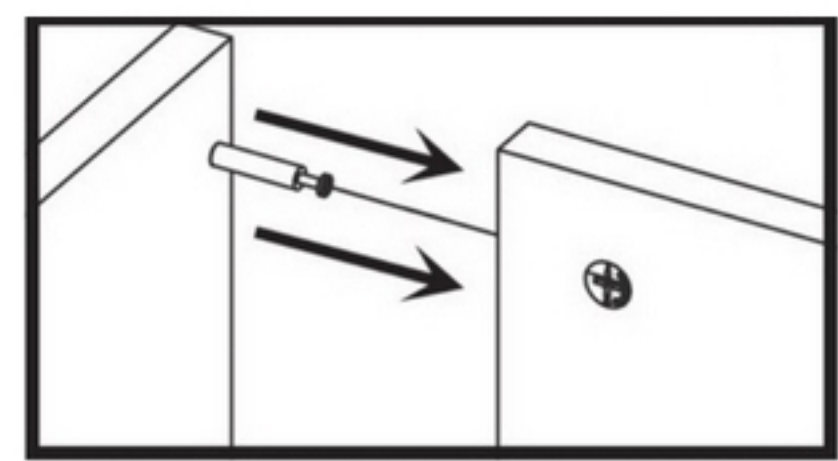
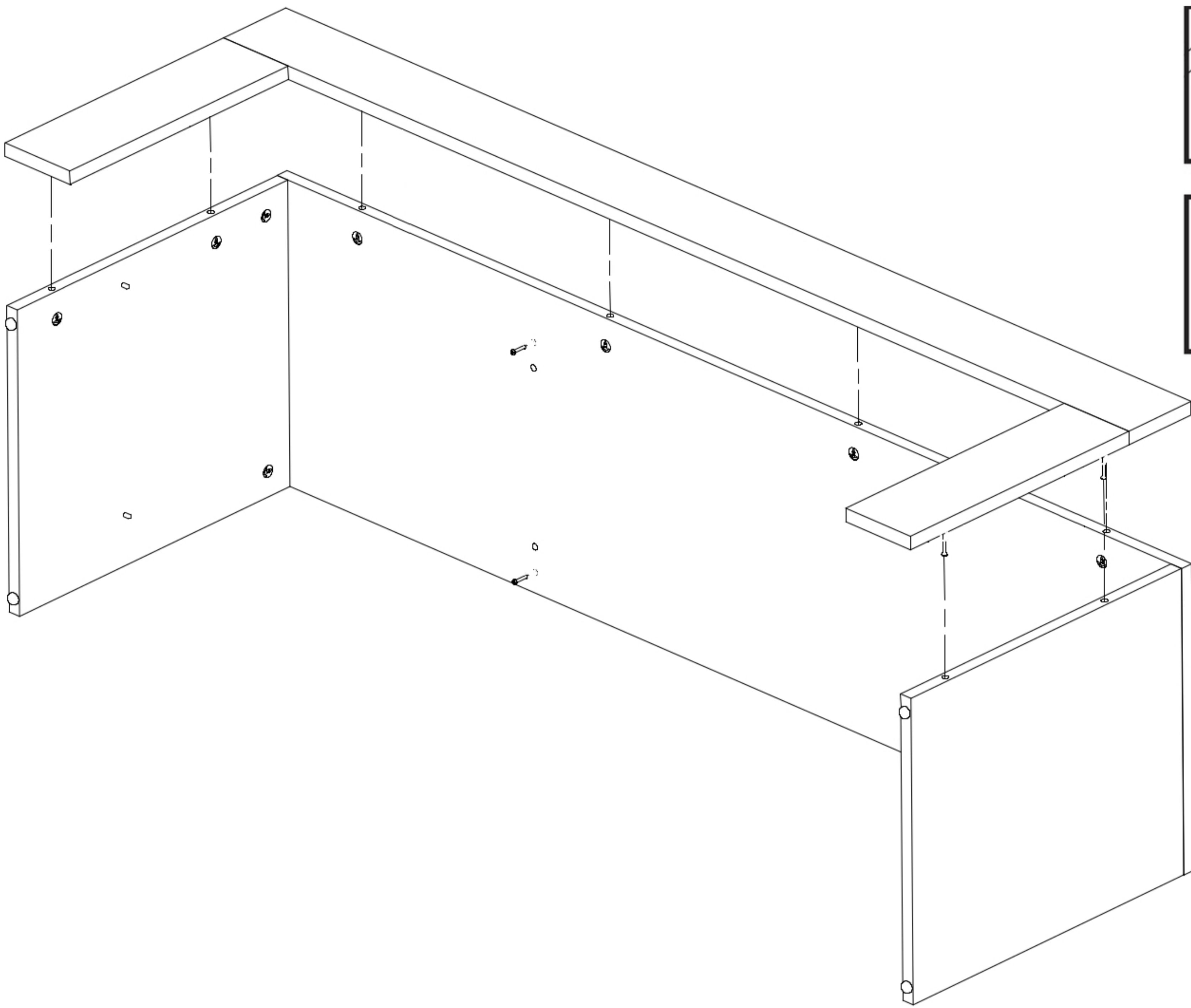


N2  x 8	M3  x 4
---	--

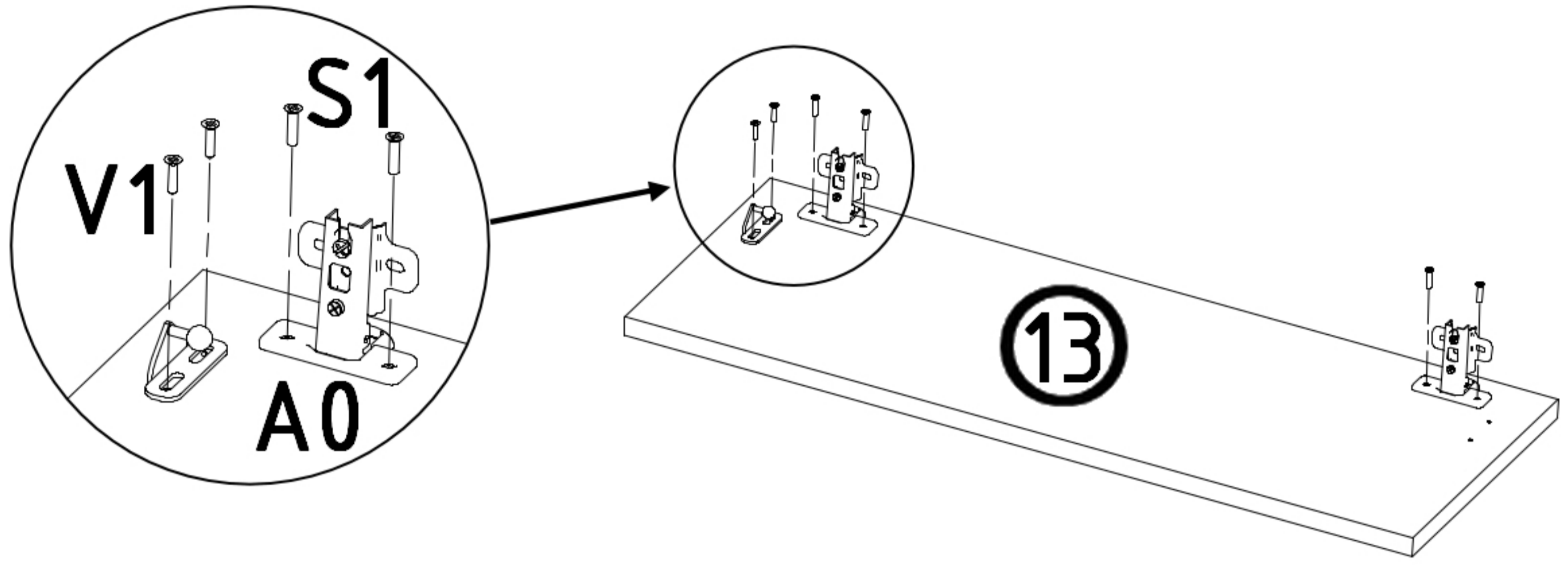


E3  8x50	M3  x4	N2  x8
---	--	--





V1 x 1	A0 x 2	S1 3,5x16 x 4
-----------------------------	-----------------------------	------------------------------------



M2

x 6

M3

M2

