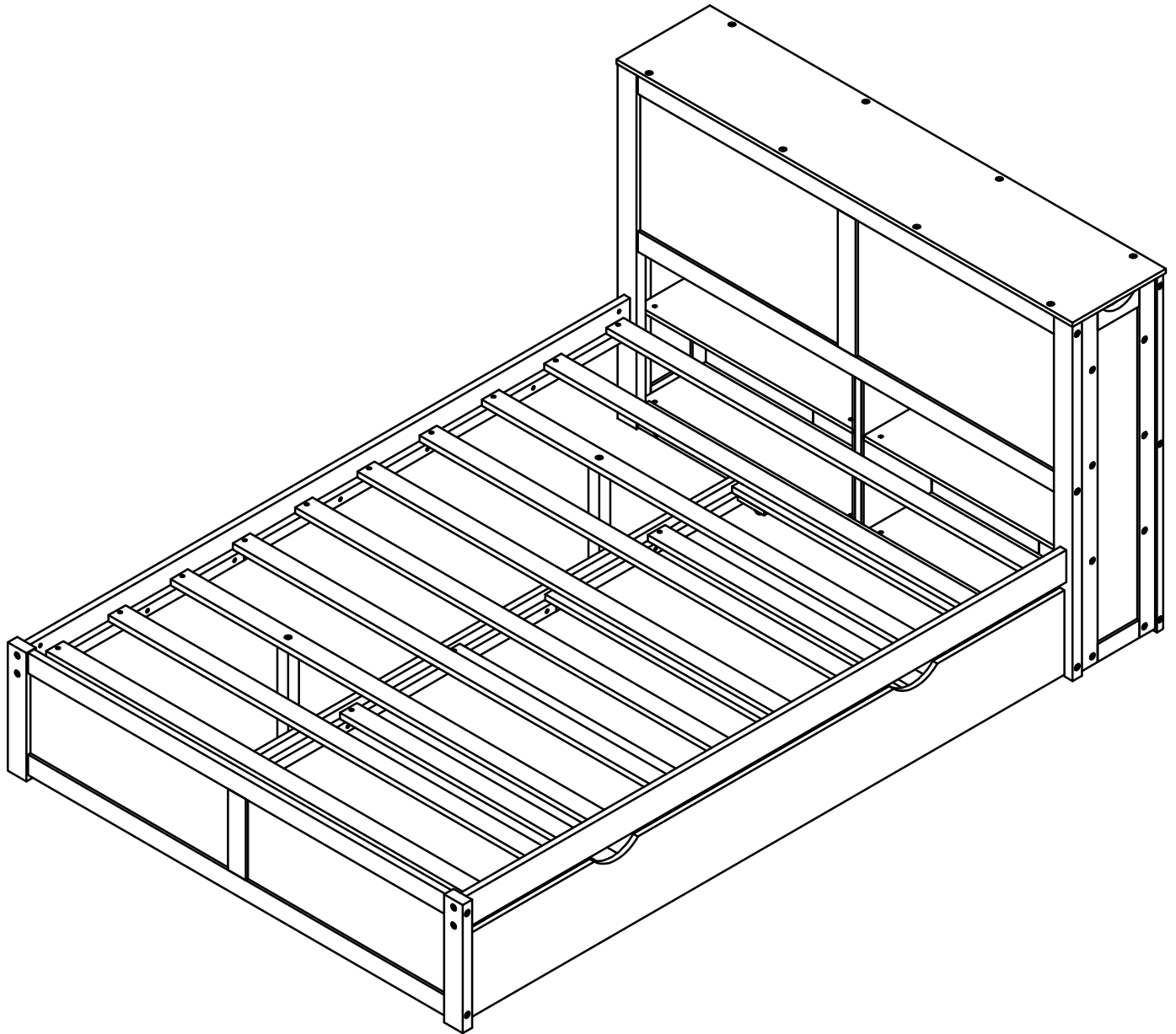
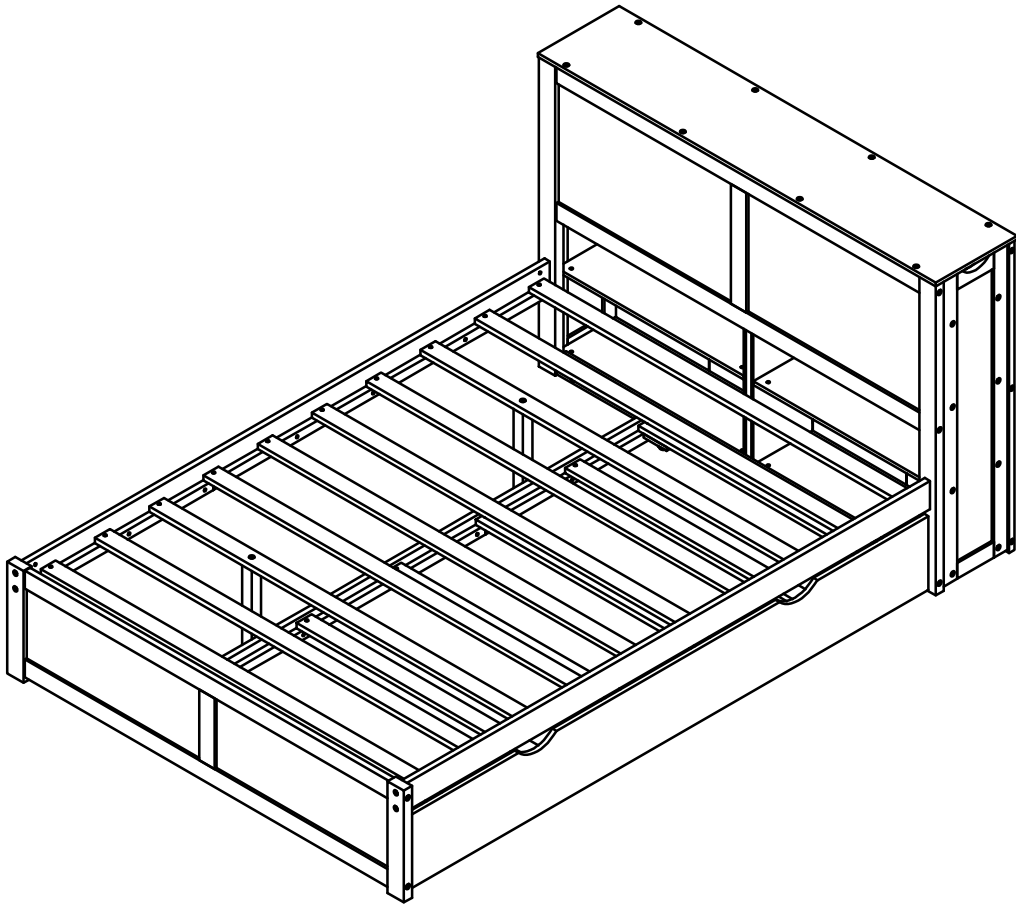


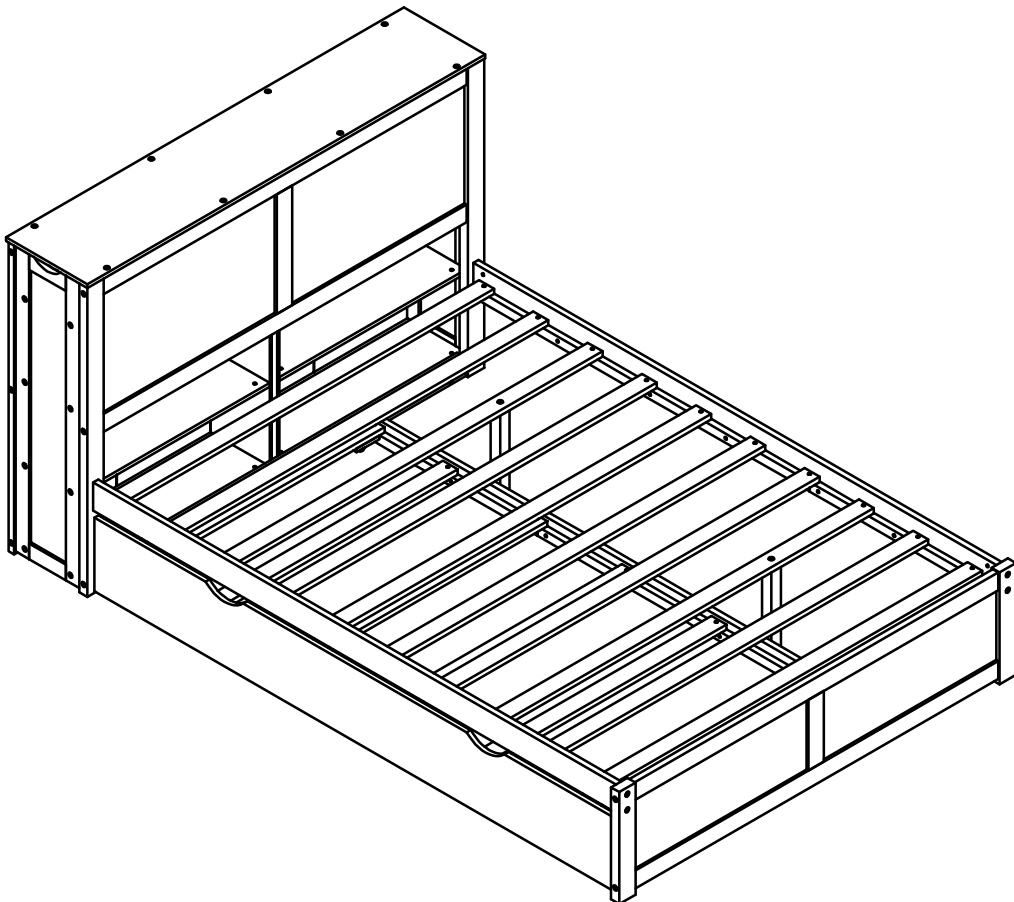
# ASSEMBLY INSTRUCTION



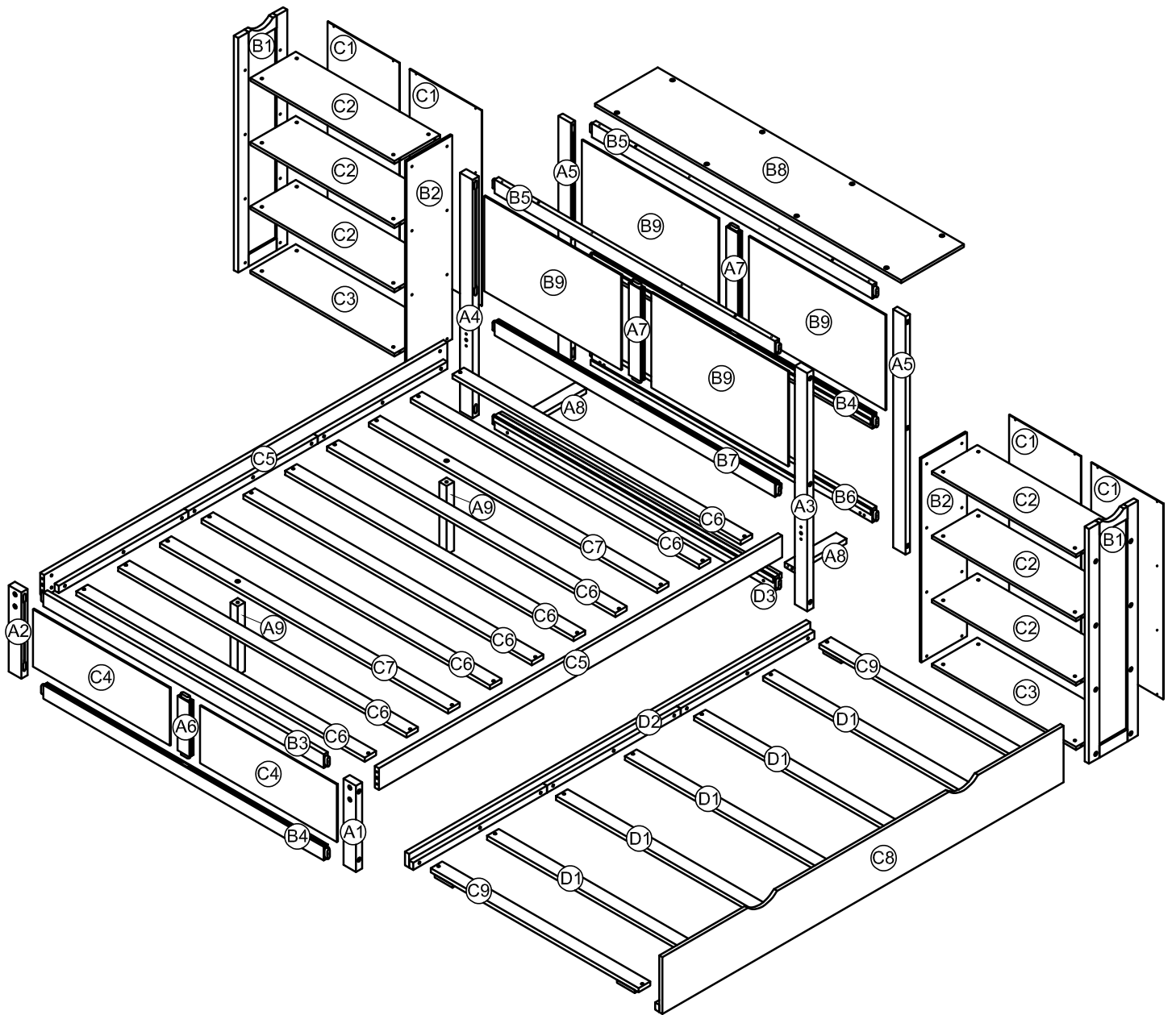
## OPTION 1



## OPTION 2



# ASSEMBLY INSTRUCTION



# Part List (Box 1-

A3



Leg-1pc

A4



Leg-1pc

A6



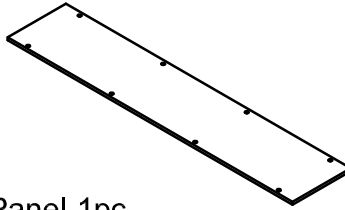
WoodBar-1pc

A9



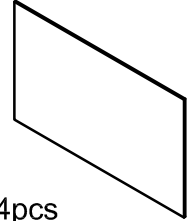
WoodBar-2pcs

B8



Panel-1pc

B9



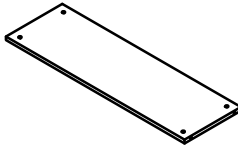
Panel-4pcs

C1



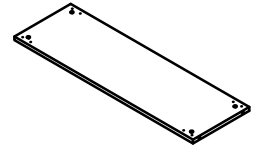
Panel-4pcs

C2



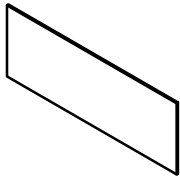
Panel-6pcs

C3



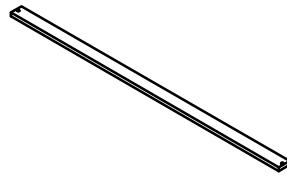
Panel-2pcs

C4



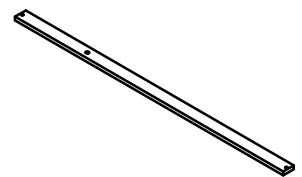
Panel-2pcs

C6



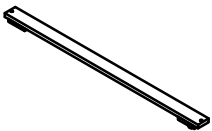
Slats-8pcs

C7



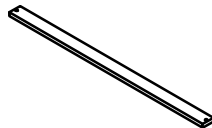
Slats-2pcs

C9




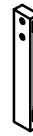


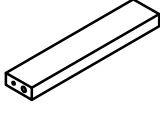
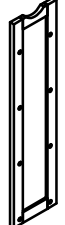

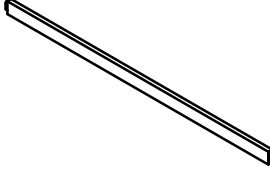
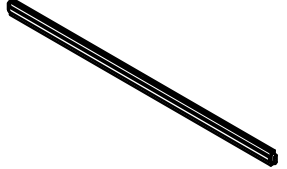
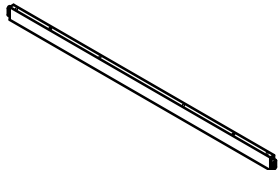
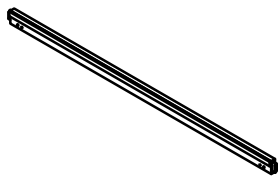
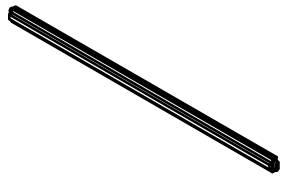
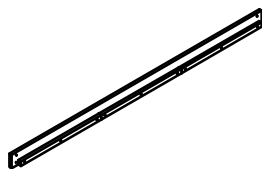
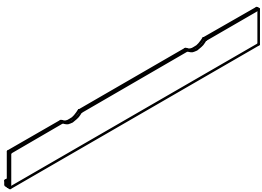
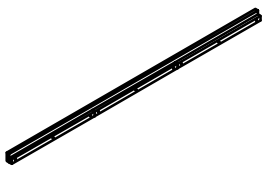
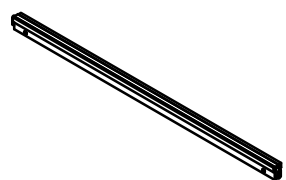
Slats-2pcs

D1

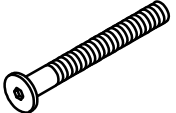

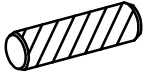


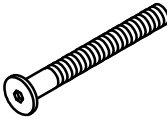



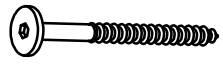
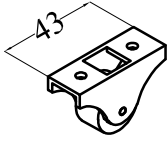




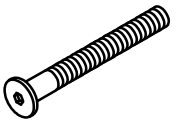



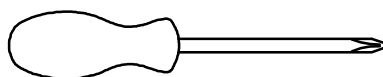
Slats-5pcs

# Part List & Hardware List (Box 2-

<p><b>A1</b></p>  <p>Leg-1pc</p>	<p><b>A2</b></p>  <p>Leg-1pc</p>	<p><b>A5</b></p>  <p>WoodBar-2pcs</p>
<p><b>A7</b></p>  <p>WoodBar-2pcs</p>	<p><b>A8</b></p>  <p>WoodBar-2pcs</p>	<p><b>B1</b></p>  <p>Panel-2pcs</p>
<p><b>B2</b></p>  <p>Panel-2pcs</p>	<p><b>B3</b></p>  <p>WoodBar-1pc</p>	<p><b>B4</b></p>  <p>WoodBar-2pcs</p>
<p><b>B5</b></p>  <p>WoodBar-2pcs</p>	<p><b>B6</b></p>  <p>WoodBar-1pc</p>	<p><b>B7</b></p>  <p>WoodBar-1pc</p>
<p><b>C5</b></p>  <p>Side Rail-2pcs</p>	<p><b>C8</b></p>  <p>Front Trundle - 1psc</p>	<p><b>D2</b></p>  <p>Back Trundle - 1psc</p>
<p><b>D3</b></p>  <p>WoodBar-1pc</p>		

# Hardware List (Box 2-

<p>1</p>  <p>Ø1/4" x 70 mm Hex-Head bolts 8pcs</p>	<p>2</p>  <p>Ø1/4" x 13 mm Horizontal-Hole bolts 40pcs</p>	<p>3</p>  <p>Ø10 x 40 mm Wood dowel 4pcs</p>
<p>4</p>  <p>Ø8 x 30 mm Wood dowel 8pcs</p>	<p>5</p>  <p>Allen Key 1pc</p>	<p>6</p>  <p>Ø1/4" x 60 mm Hex-Head bolts 16pcs</p>
<p>7</p>  <p>Ø1/4" x 30 mm Hex-Head bolts 2pcs</p>	<p>8</p>  <p>Screws 1/4" x30 8pcs</p>	<p>9</p>  <p>Screws 1/4" x50 4pcs</p>
<p>10</p>  <p>Screws 1/4" x70 16pcs</p>	<p>11</p>  <p>Wheels 12pcs</p>	<p>12</p>  <p>Bracket 3 pcs</p>
<p>13</p>  <p>M4 x 15 mm Wood Screws 20pcs</p>	<p>14</p>  <p>M4 x 30 mm Wood Screws 34pcs</p>	<p>15</p> <p>Đầu dù nhỏ</p>  <p>M4 x 15 mm Wood Screws 32pcs</p>
<p>16</p>  <p>Ø1/4" x 50 mm Hex-Head bolts 16pcs</p>	<p>17</p>  <p>M3.5 x 12 mm Wood Screws 16pcs</p>	



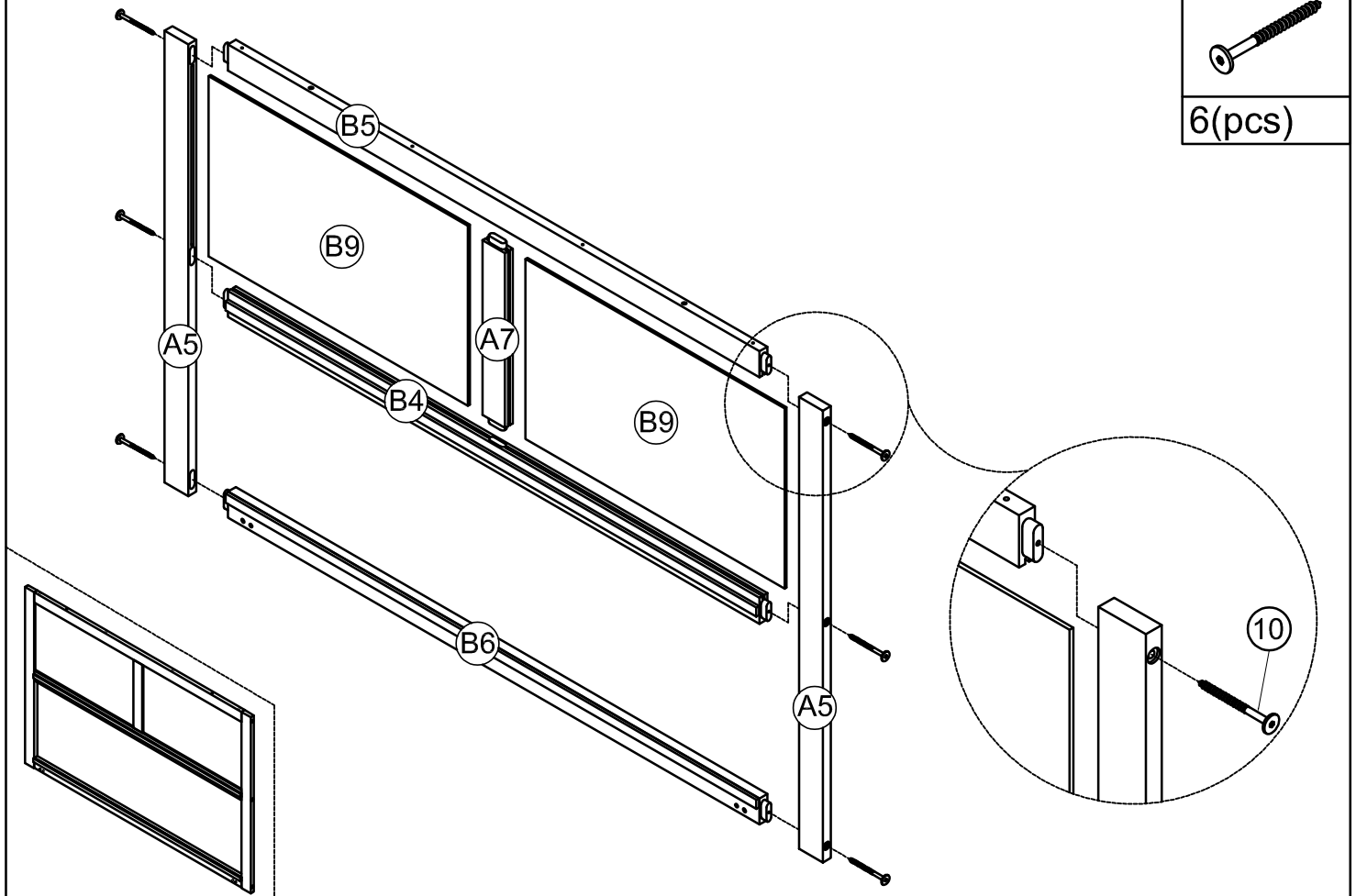
**Assembly Tools Required (Not Included)**

**STEP1:** Following below illustration.

10



6(pcs)

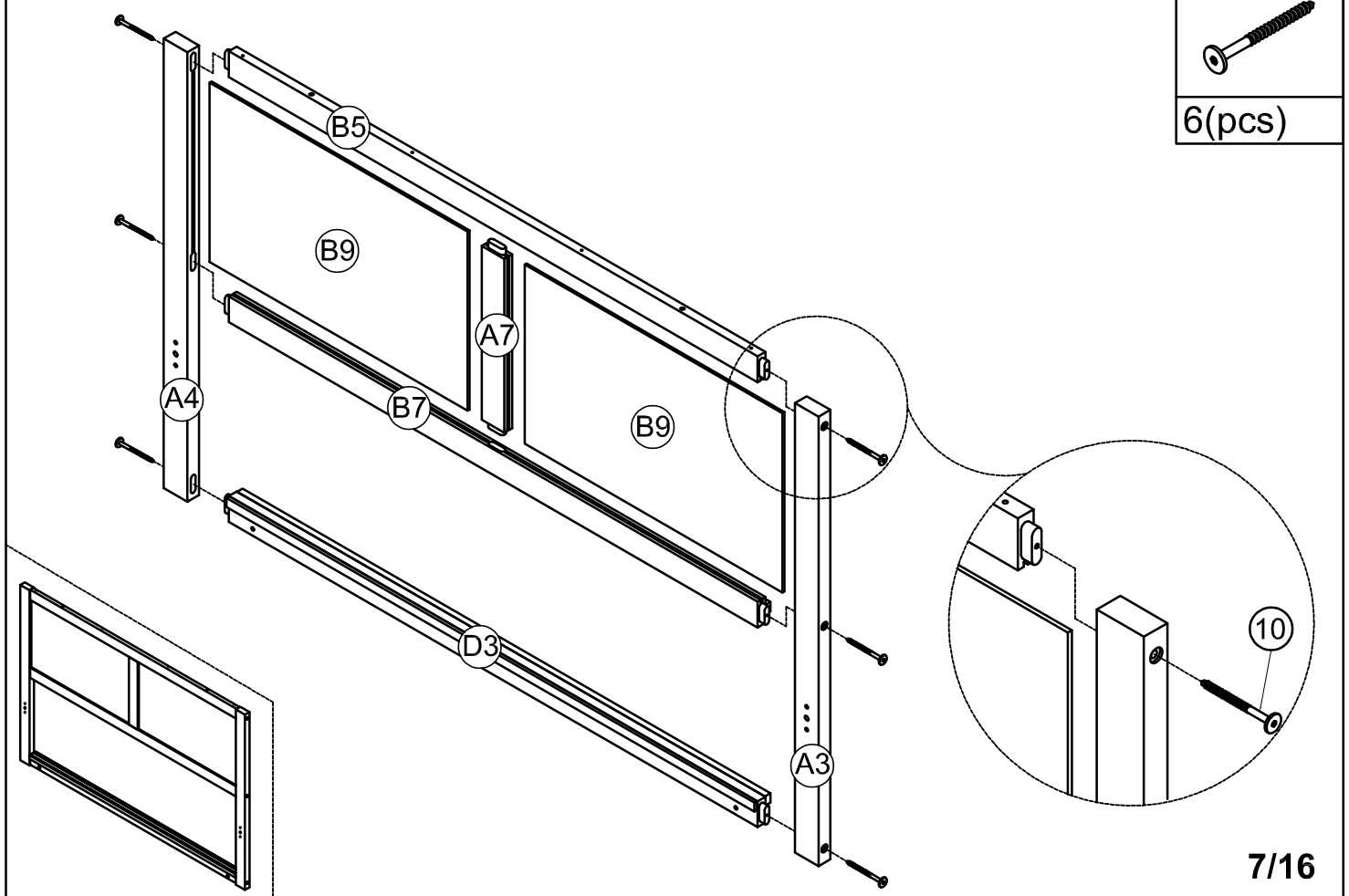


**STEP2:** Following below illustration.

10



6(pcs)

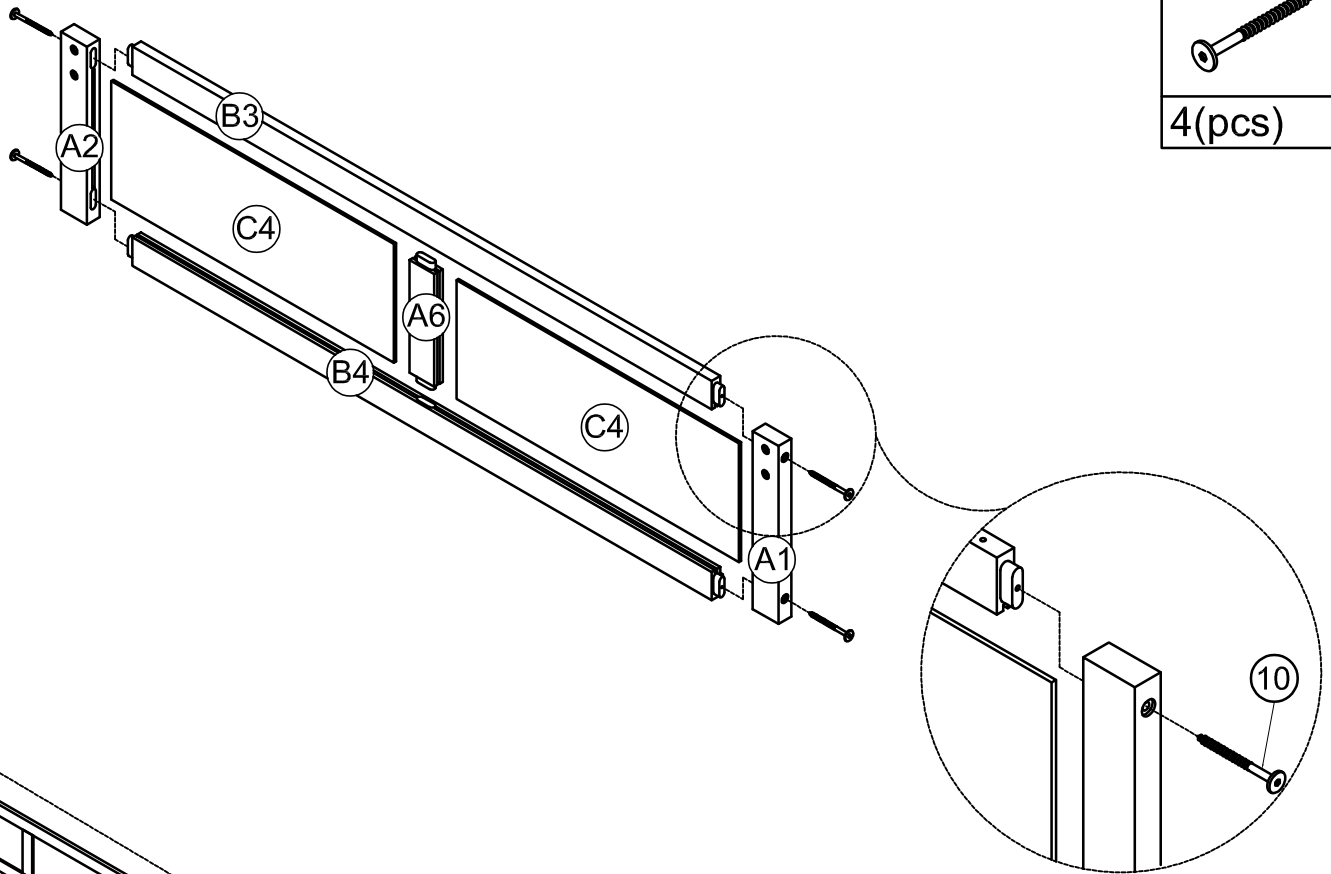


**STEP3:** Following below illustration.

10



4(pcs)



**STEP4:** Following below illustration.

4

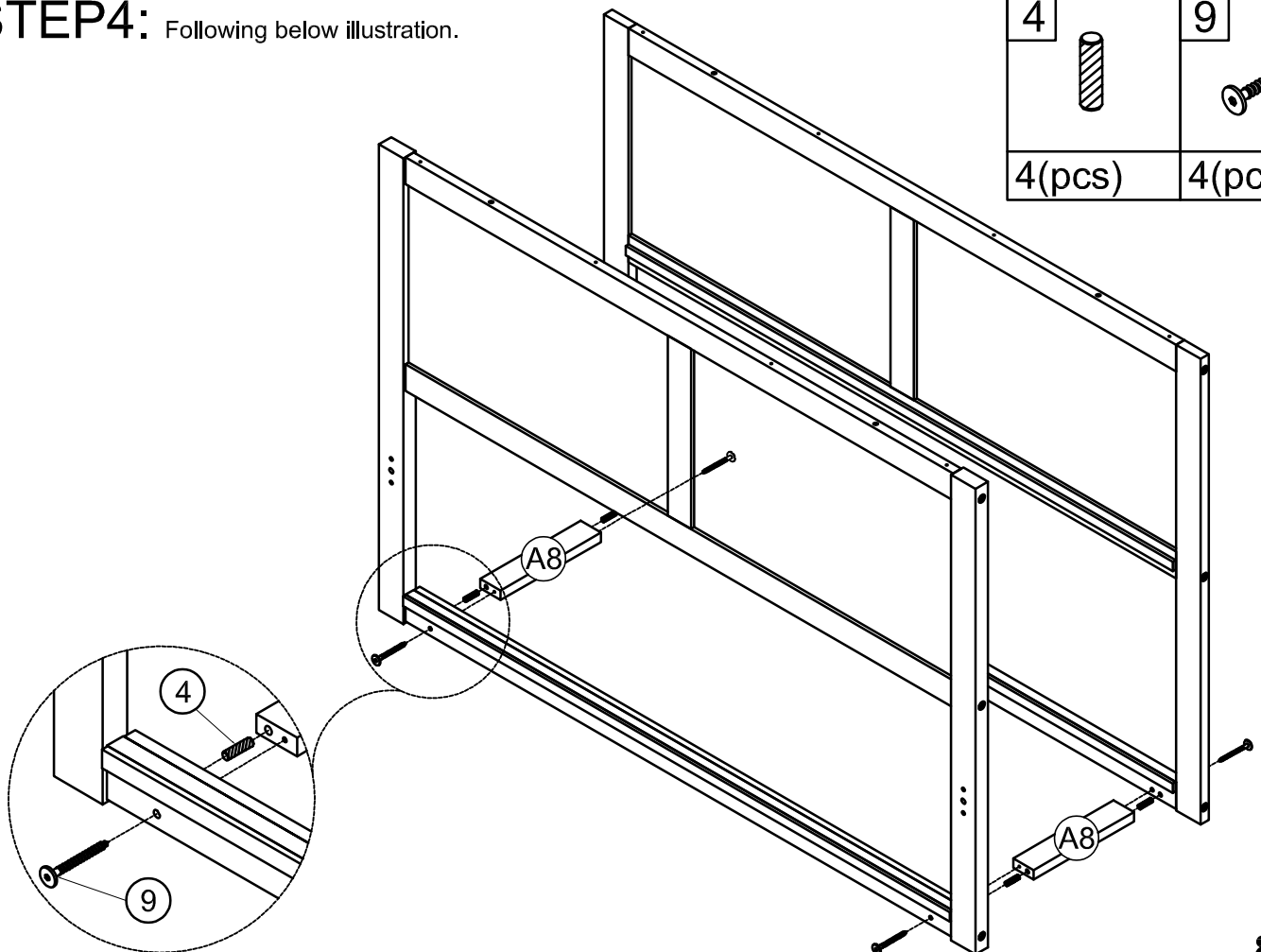


4(pcs)



9

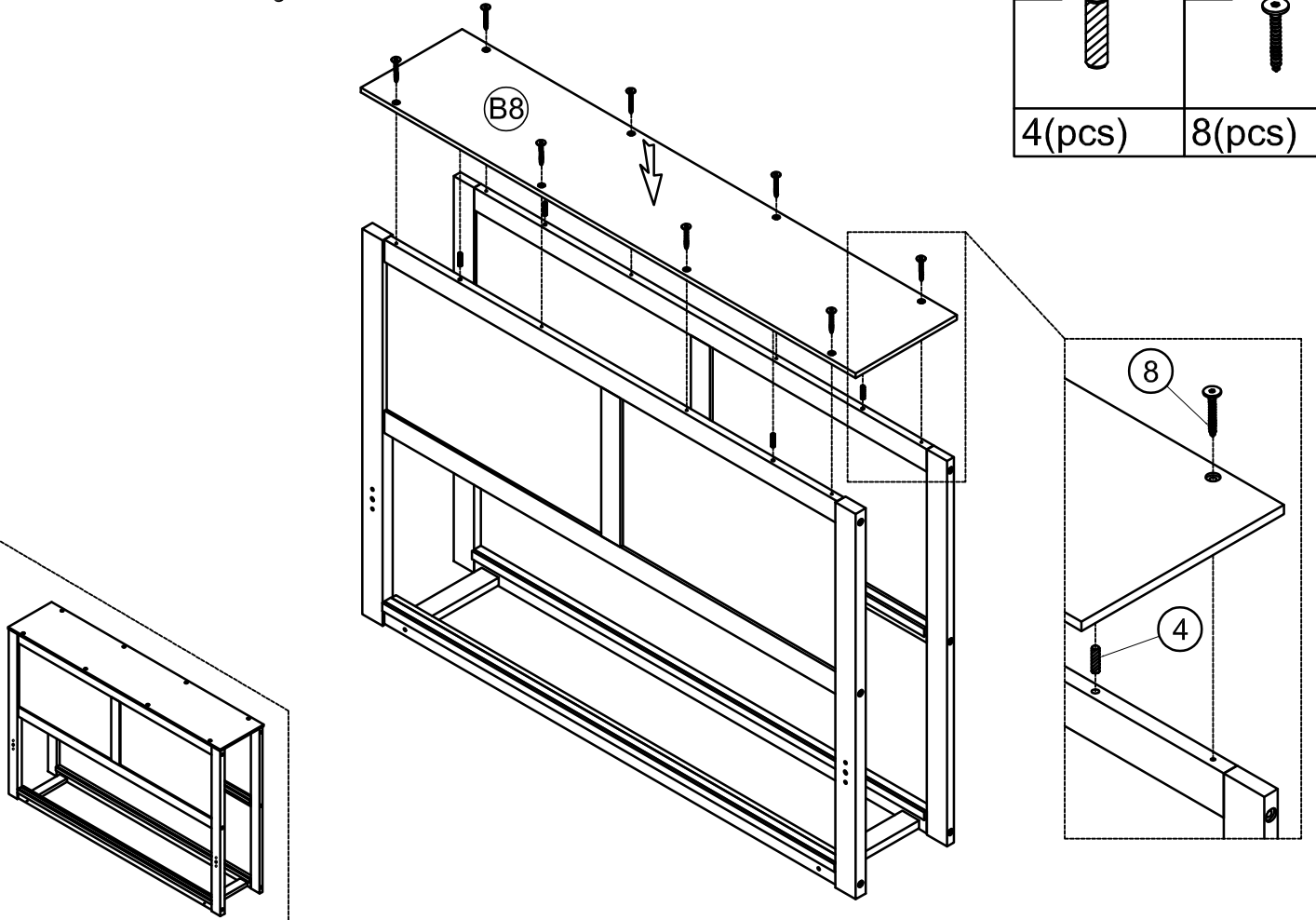


4(pcs)

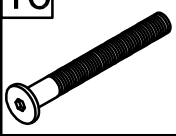

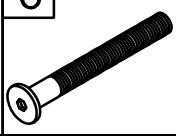


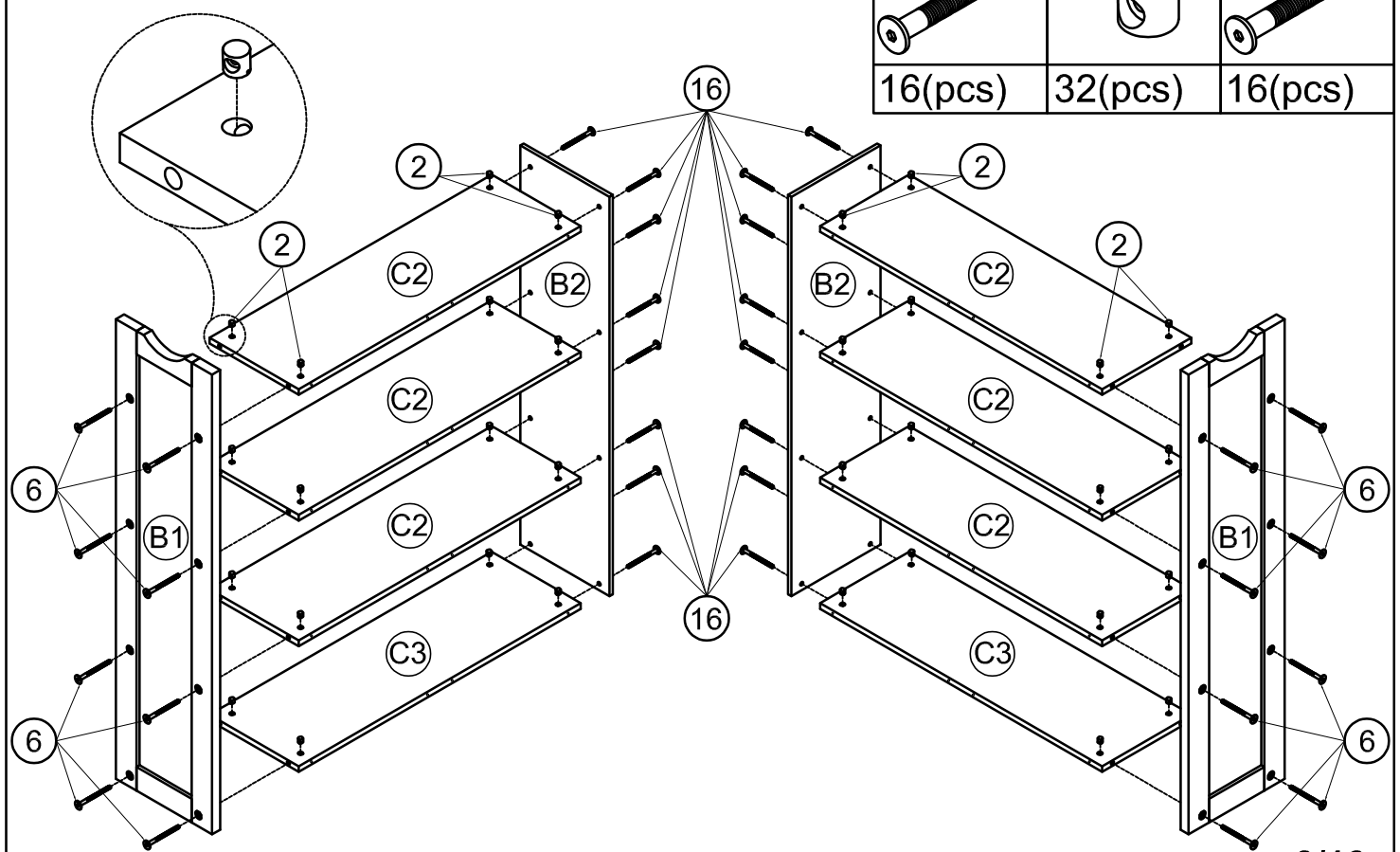
**STEP5:** Following below illustration.

4		8	
4(pcs)		8(pcs)	



**STEP6:** Following below illustration.

16		2		6	
16(pcs)		32(pcs)		16(pcs)	

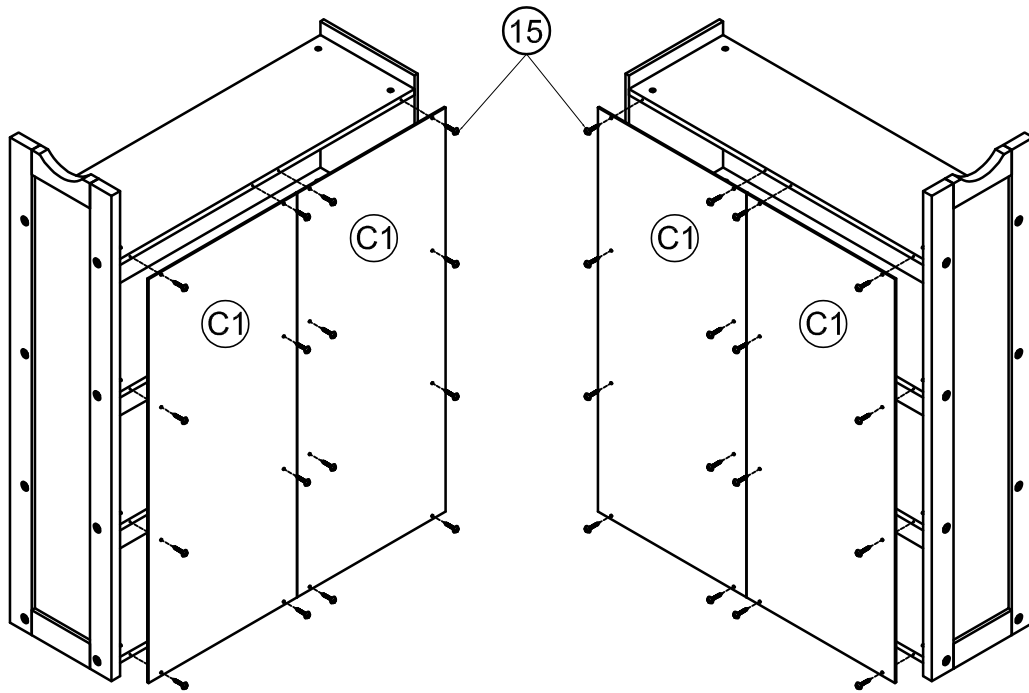


**STEP7:** Following below illustration.

15

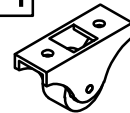


32(pcs)



**STEP8:** Following below illustration.

11

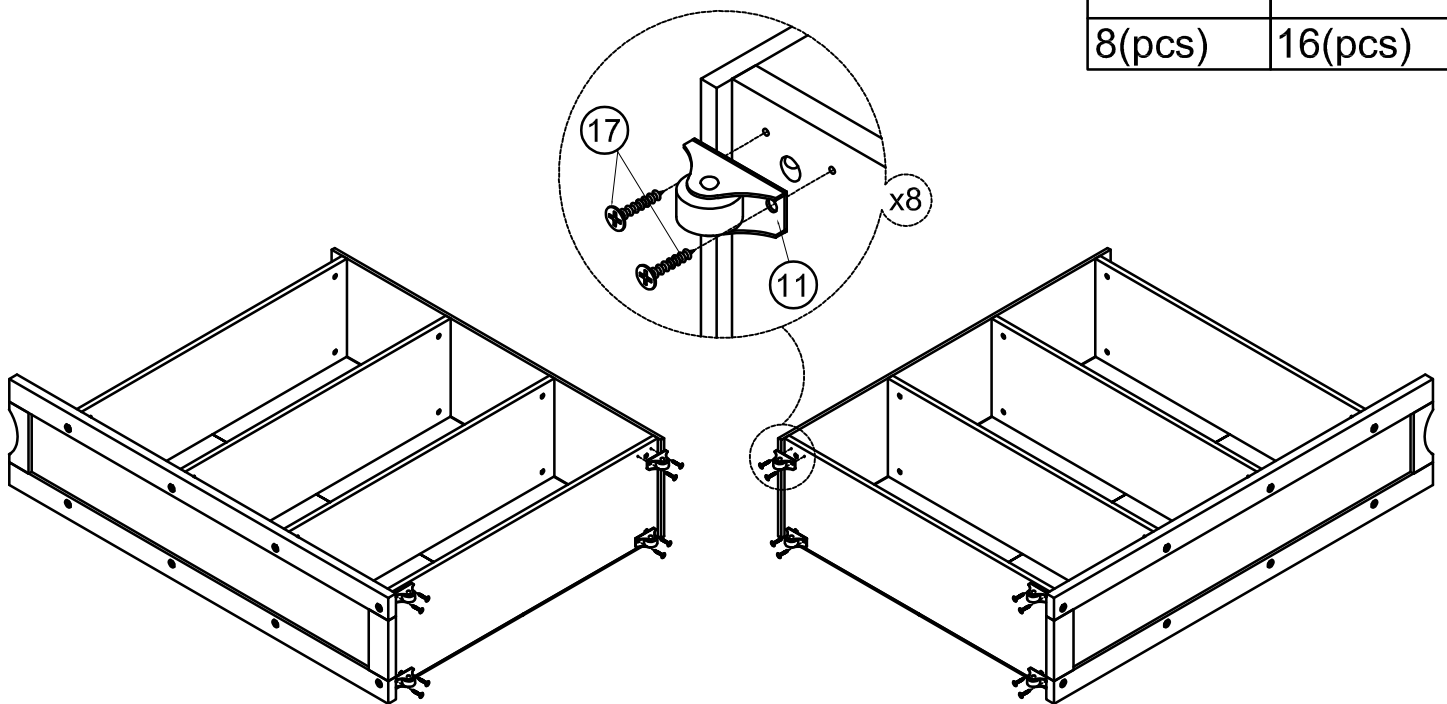


8(pcs)


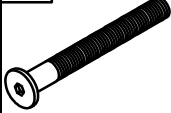

17

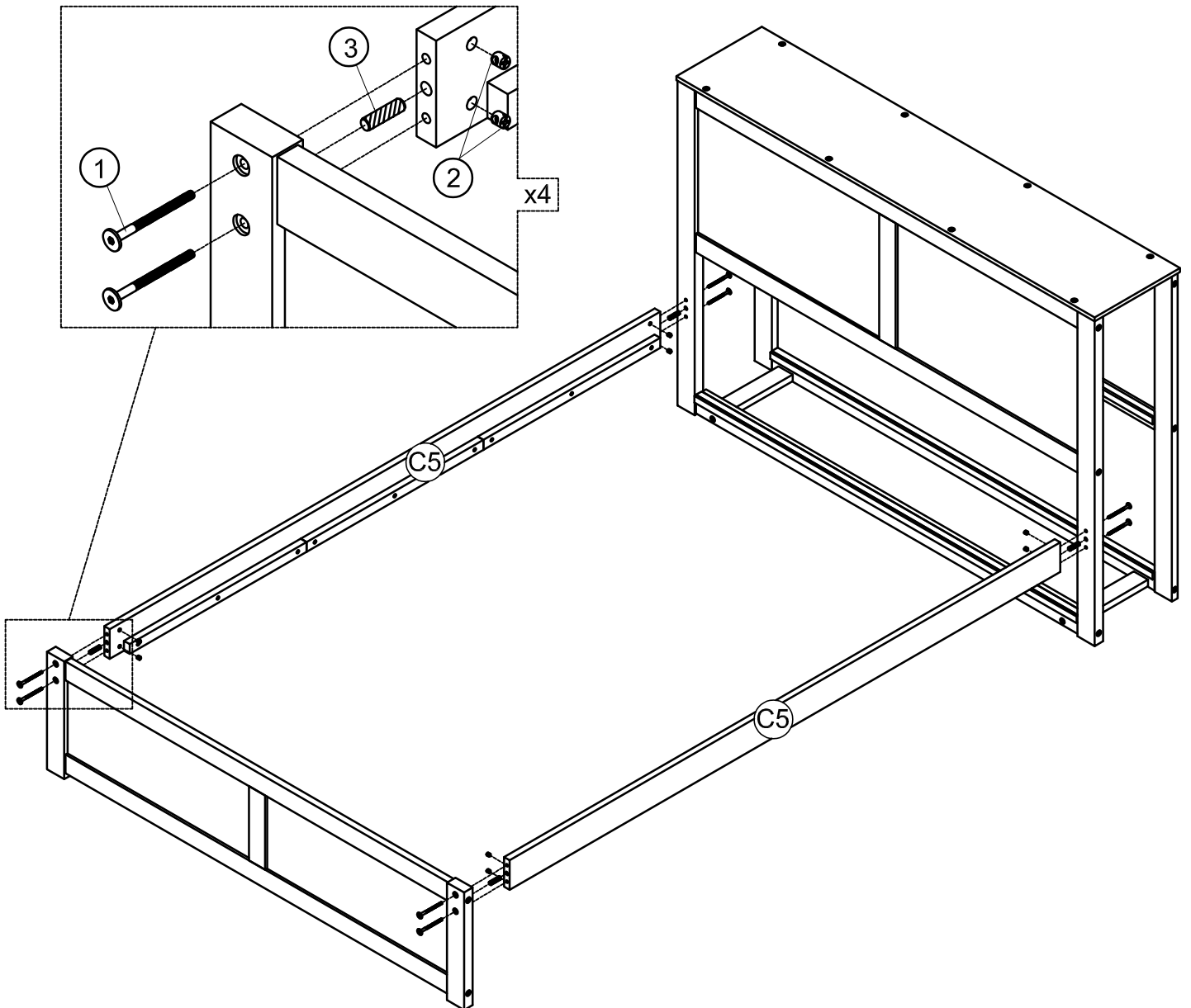


16(pcs)





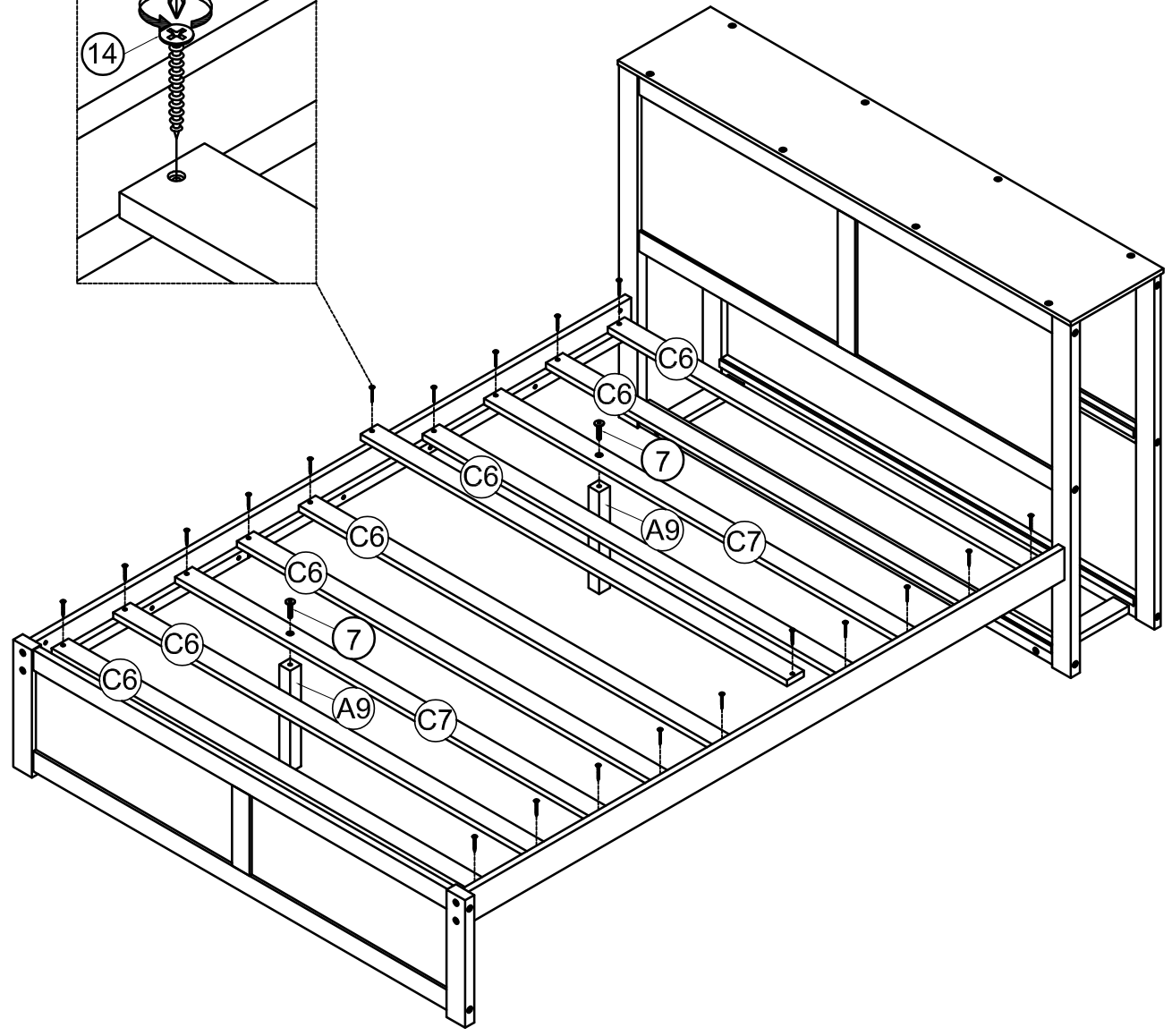
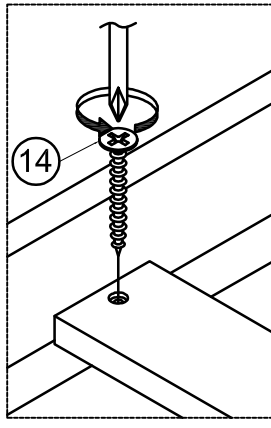
**STEP9:** Following below illustration.

2		1		3	
8(pcs)		8(pcs)		4(pcs)	

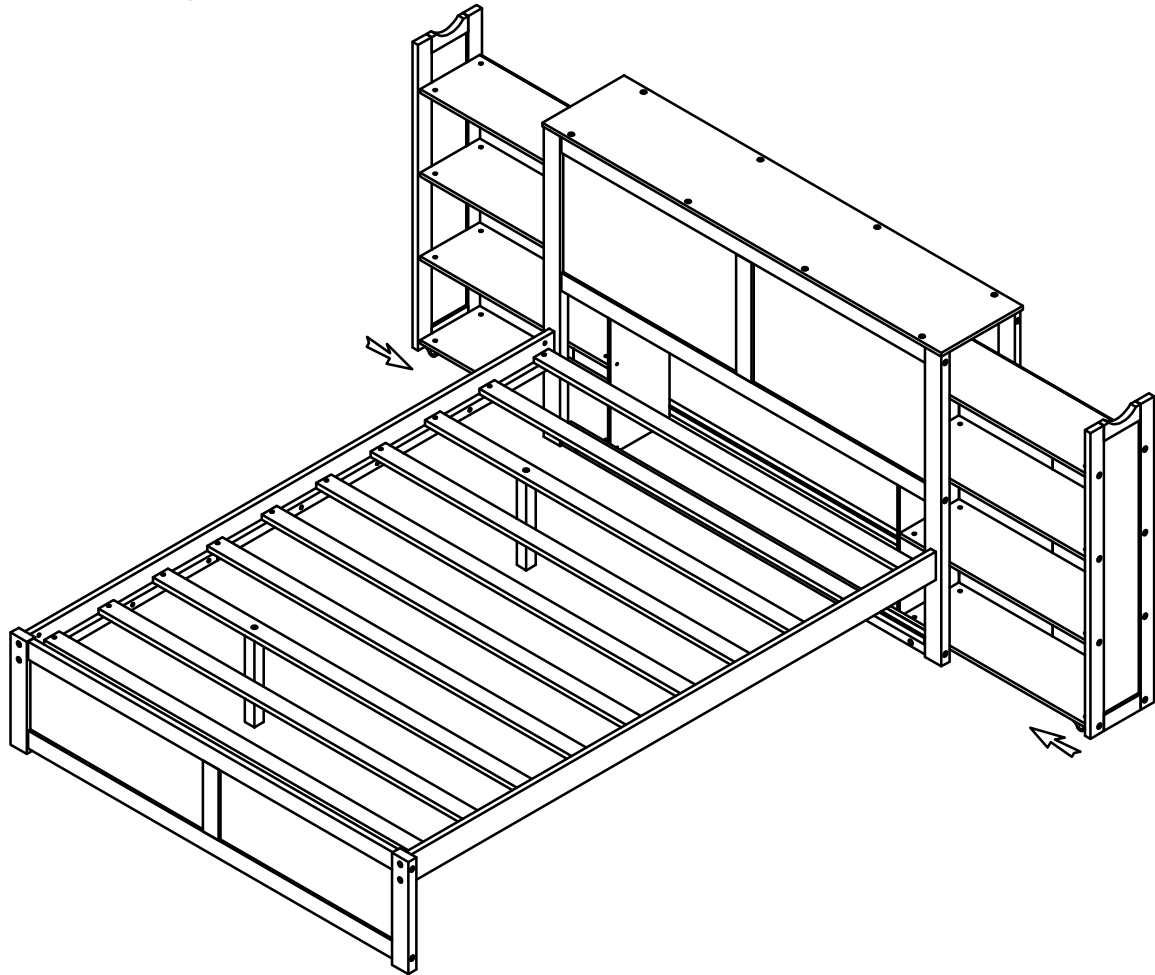


**STEP10:** Following below illustration.

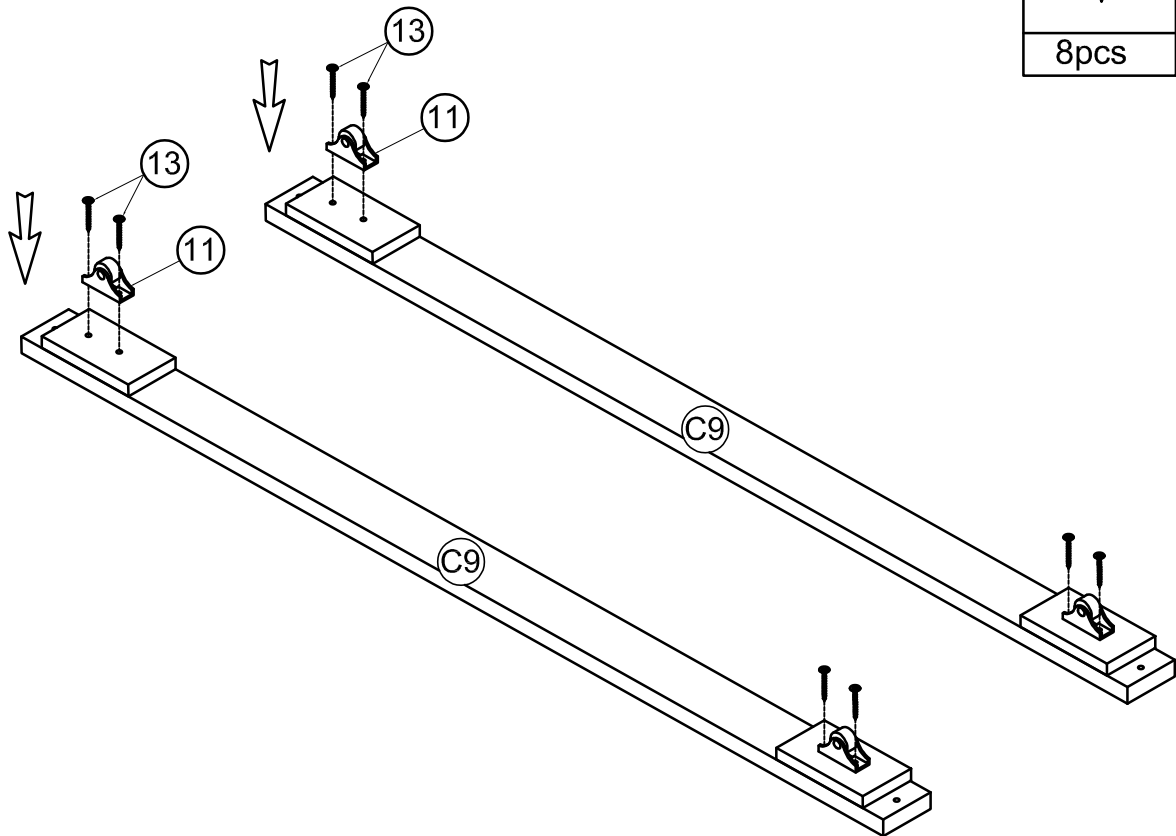
14	
20(pcs)	
7	
2(pcs)	





# STEP11: Following below illustration.




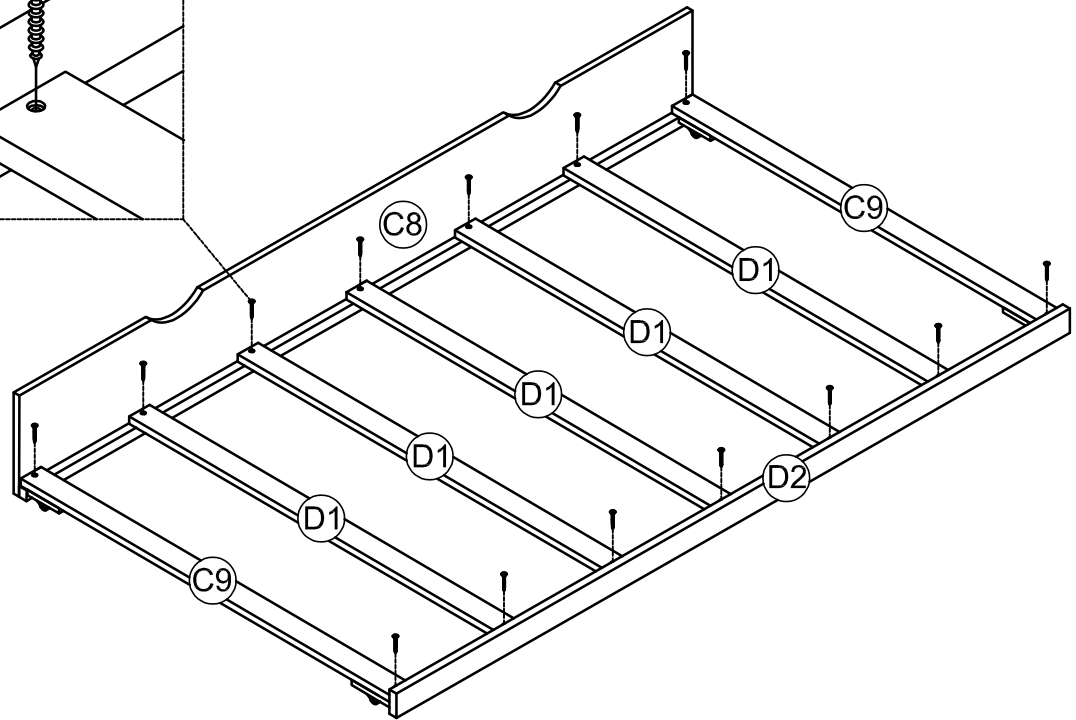
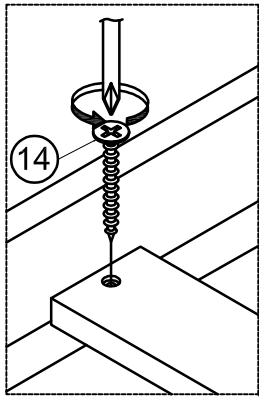
# STEP12: Following below illustration.





13	11
	
8pcs	4pcs

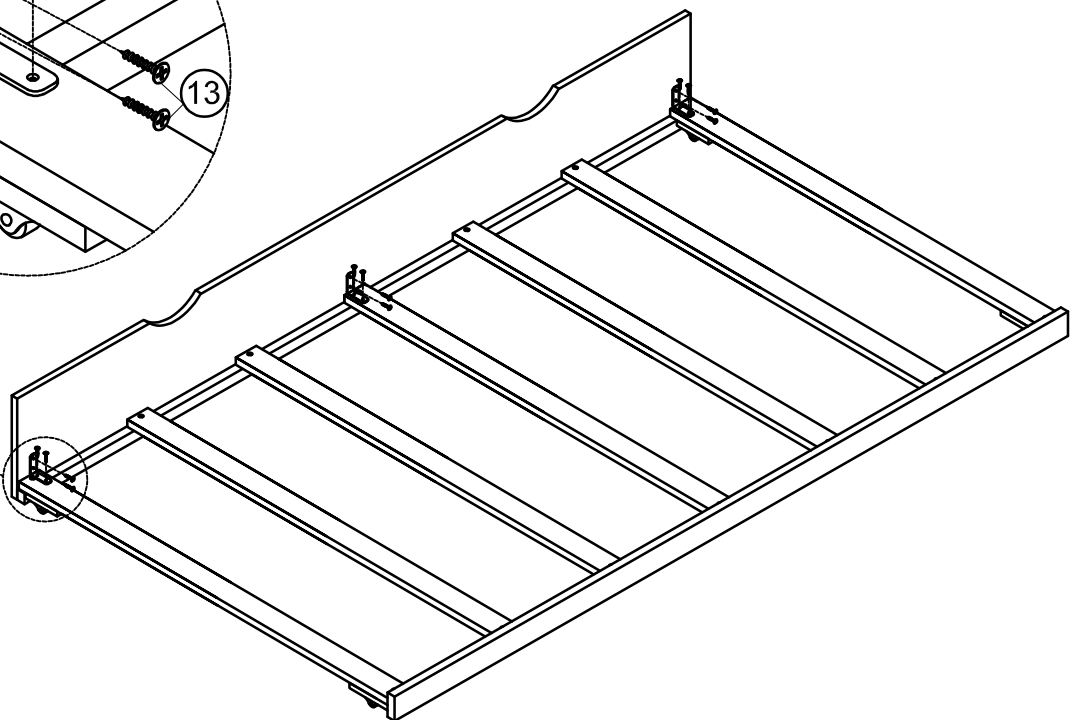
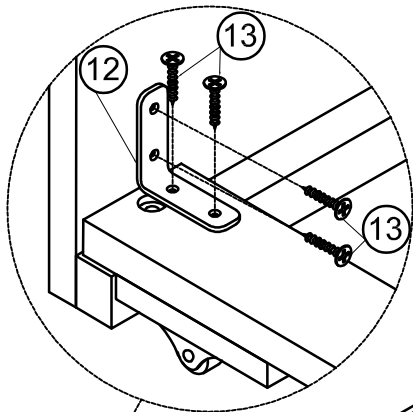
**STEP13:** Following below illustration.

14	
14(pcs)	



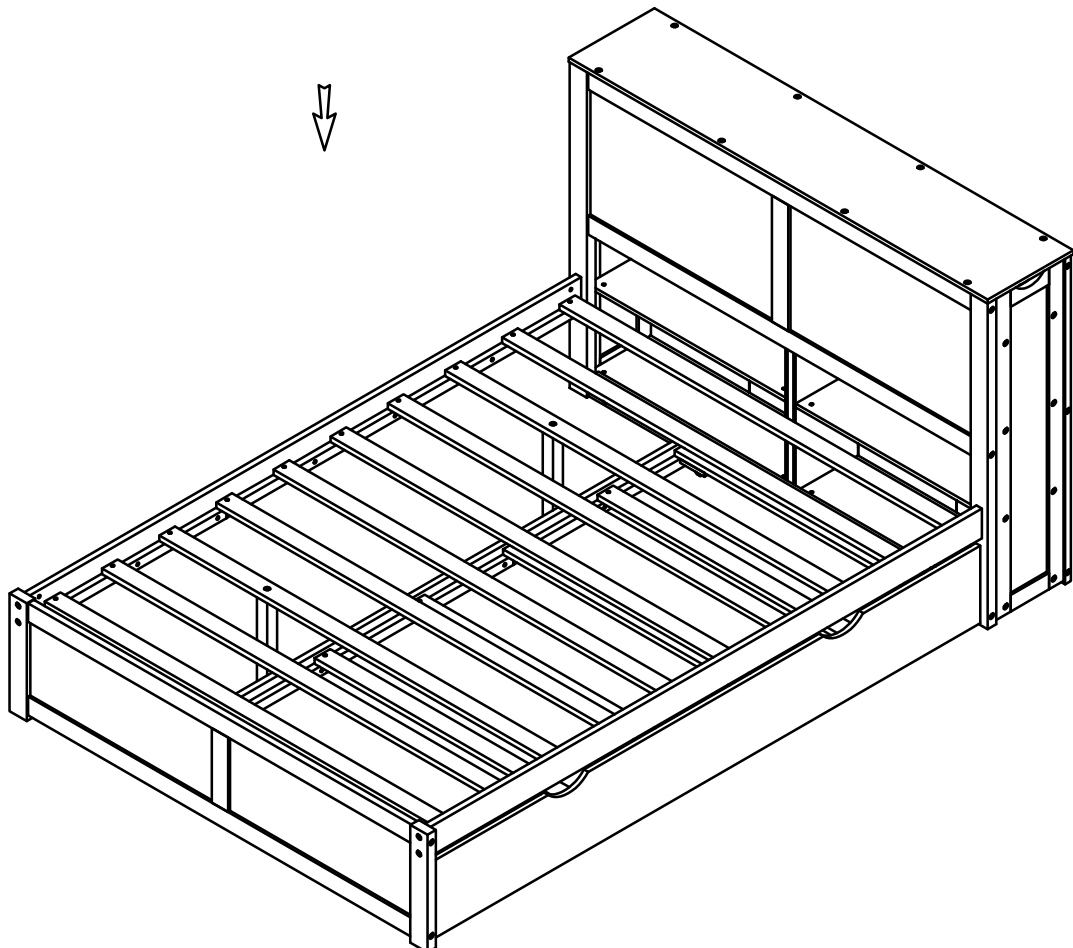
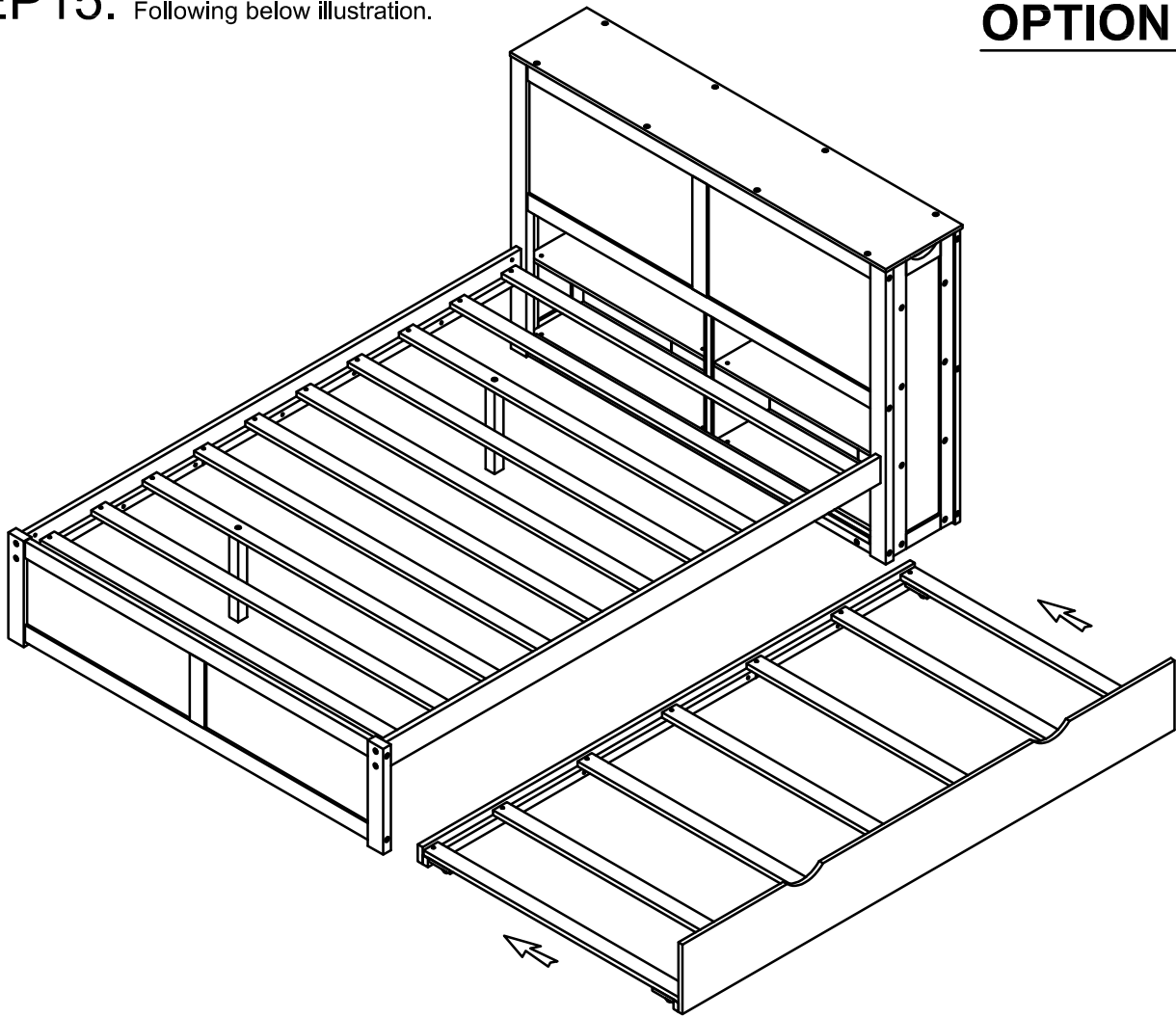
**STEP14:** Following below illustration.

13		12	
12pcs		3(pcs)	



**STEP15:** Following below illustration.

**OPTION 1**



## OPTION 2

