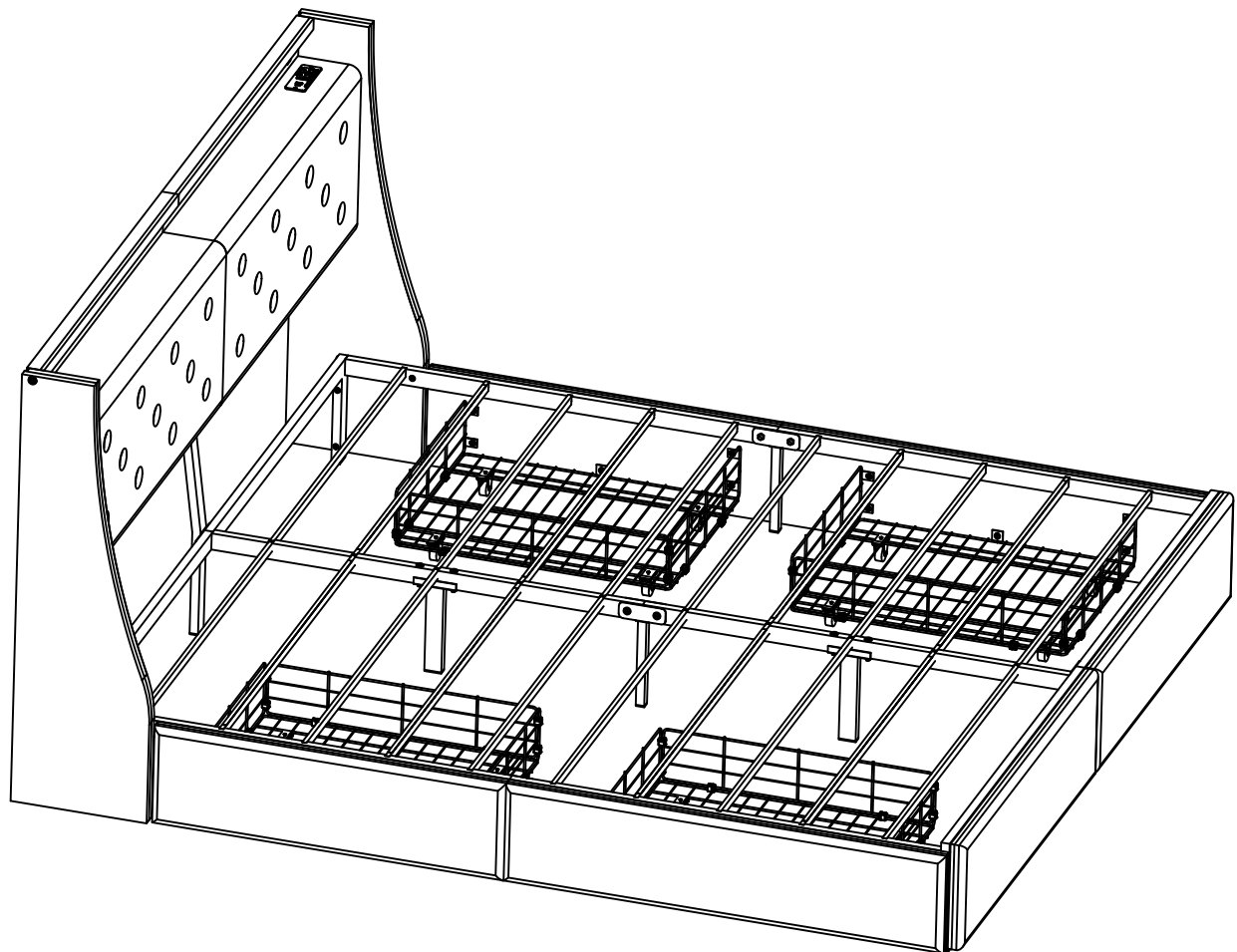
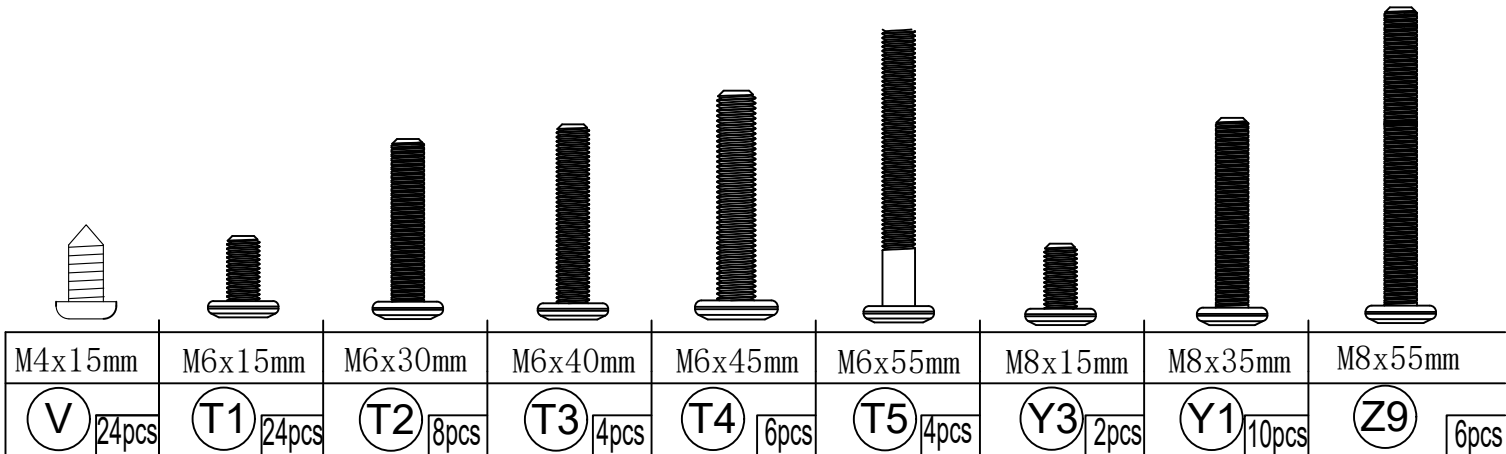
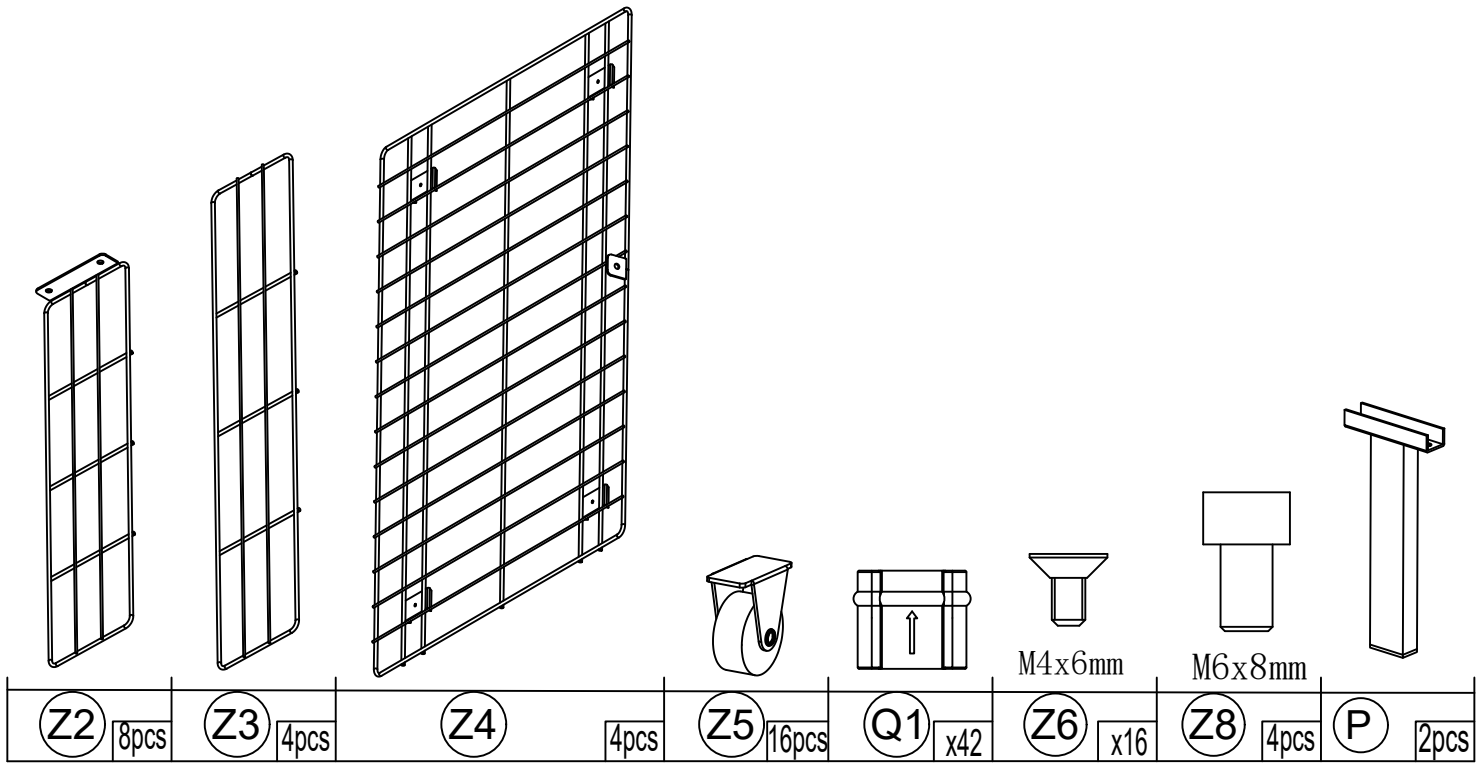
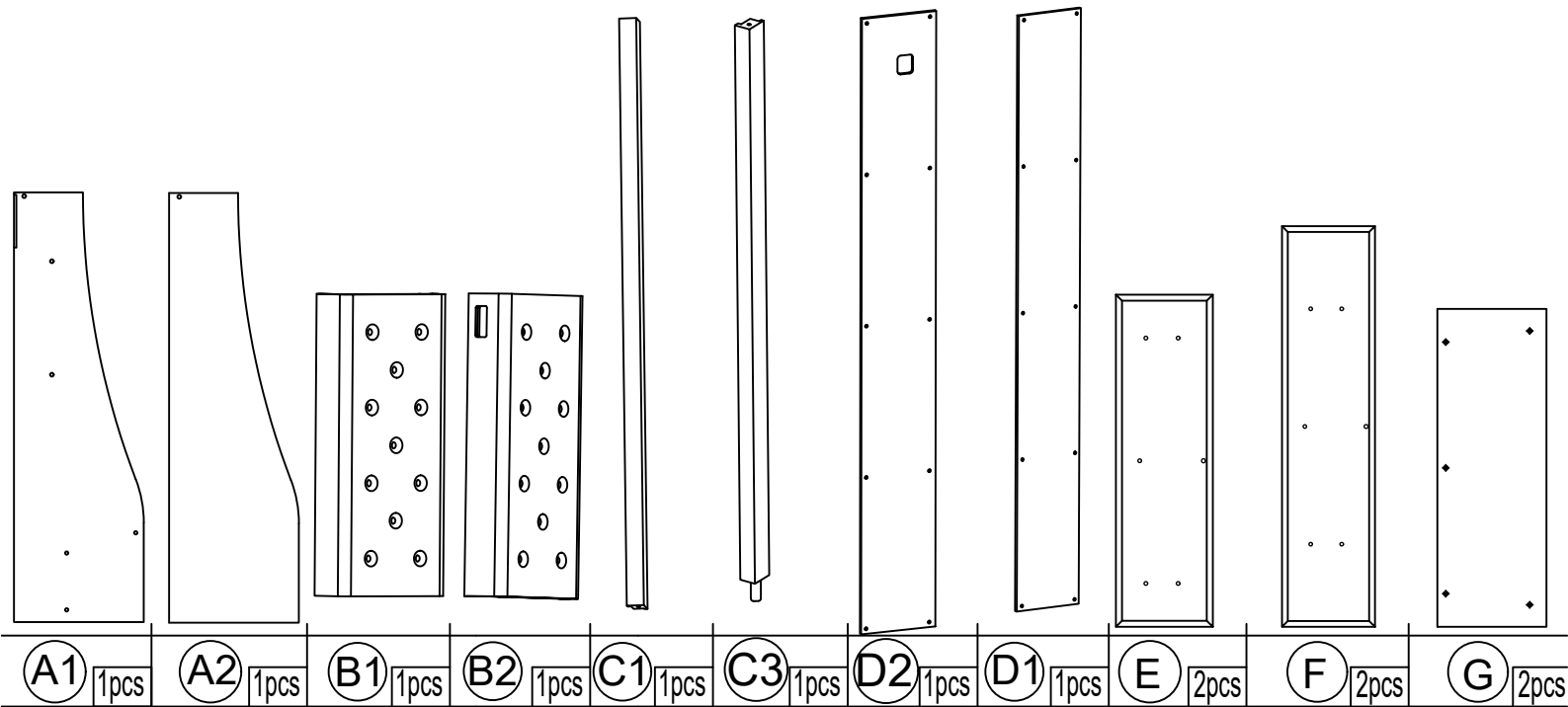


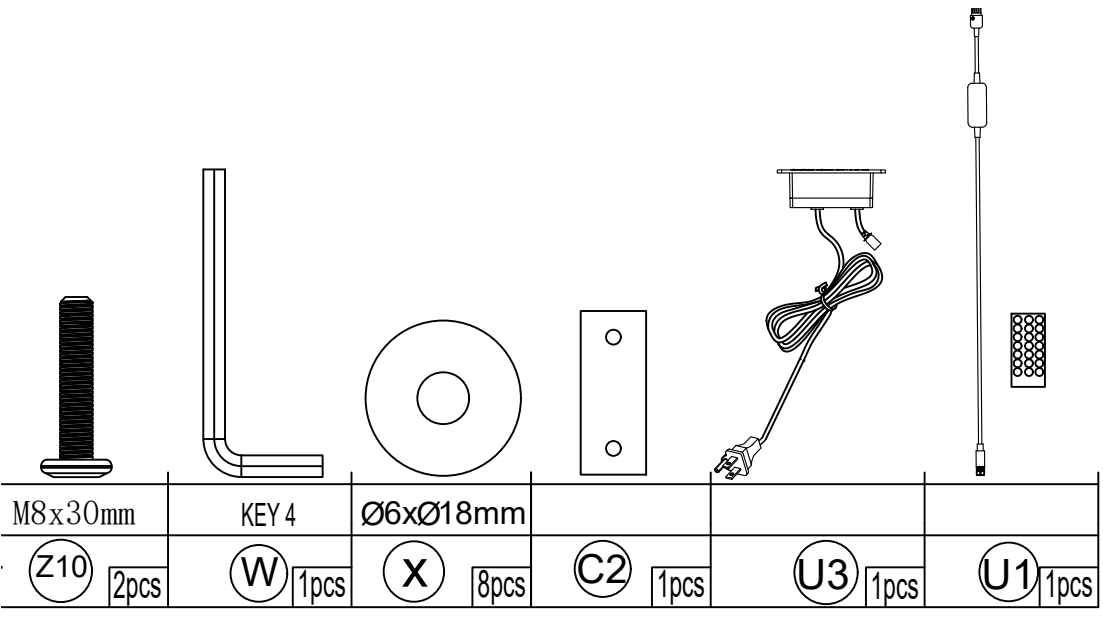
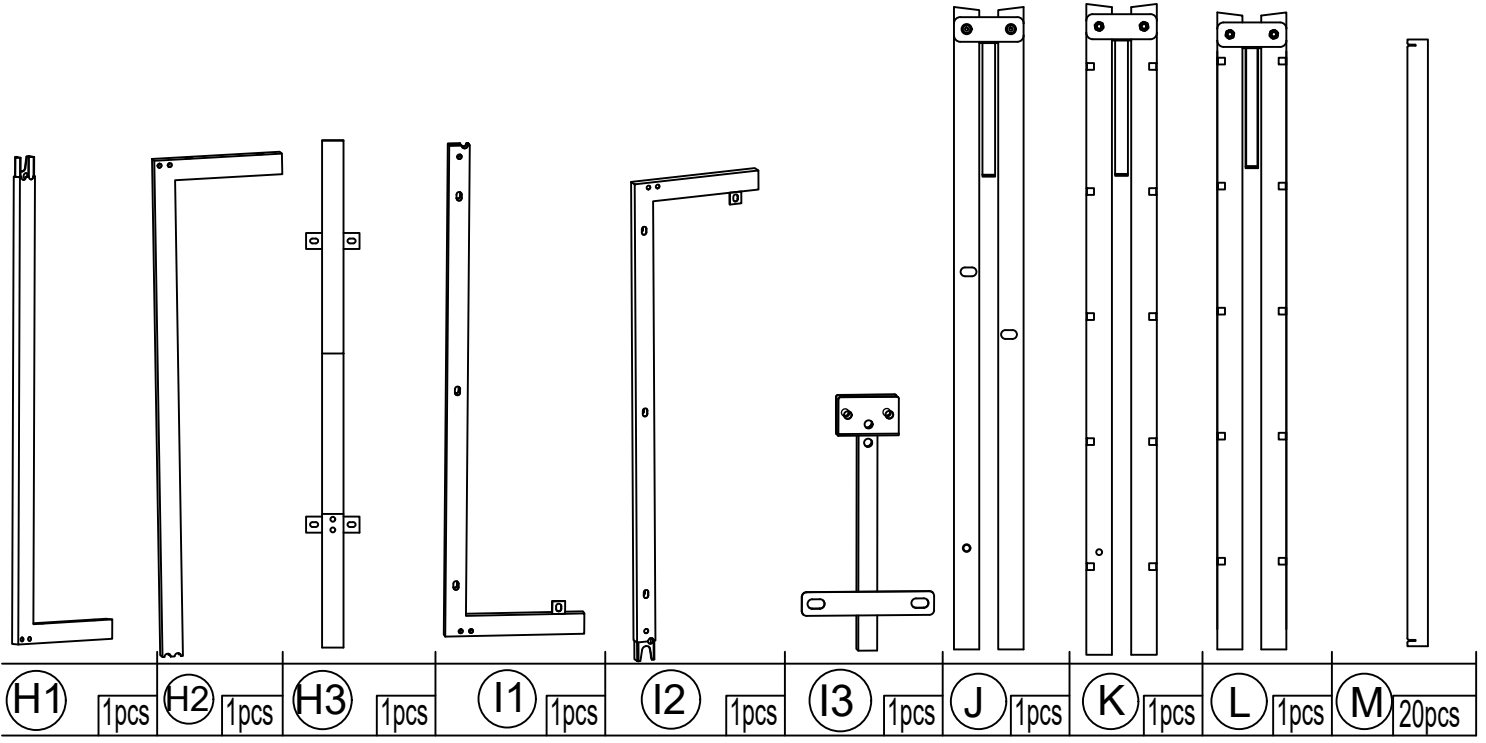
# Installation & Assembly



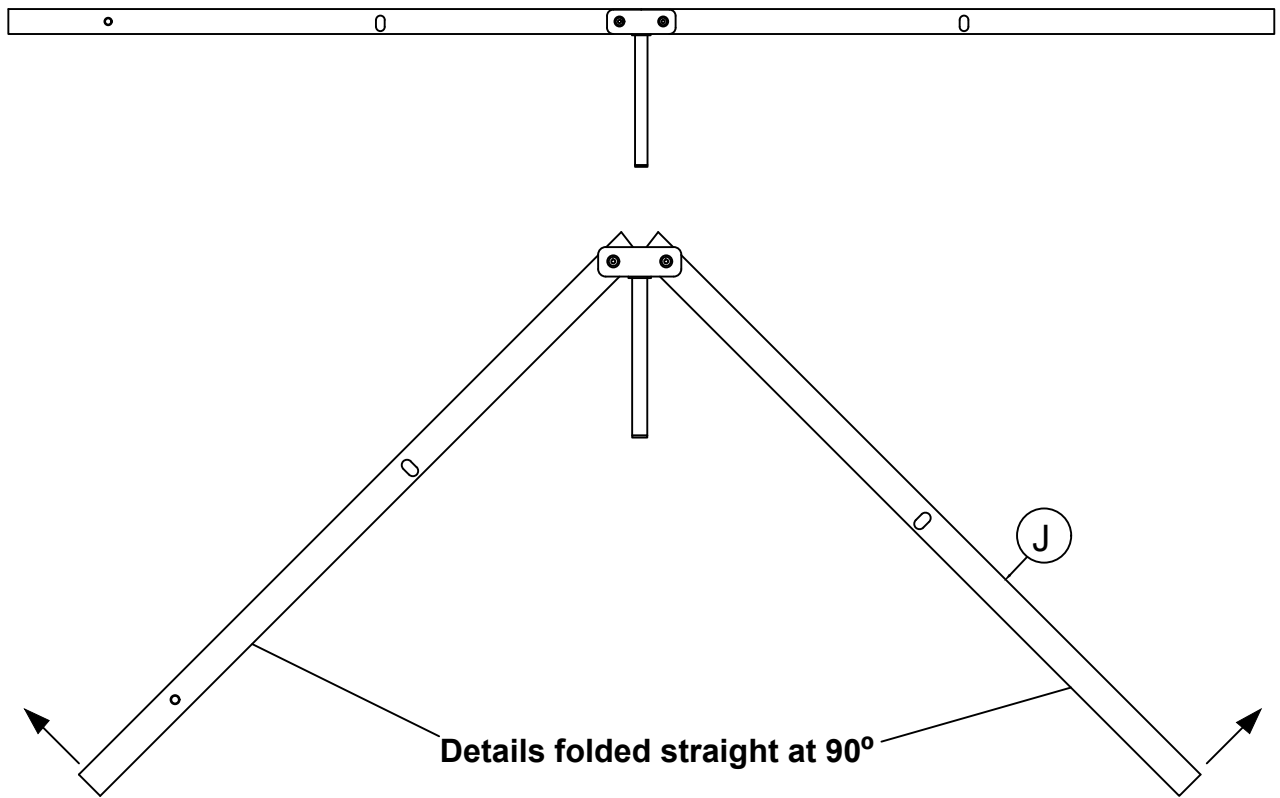
# Parts List:



# Parts List:

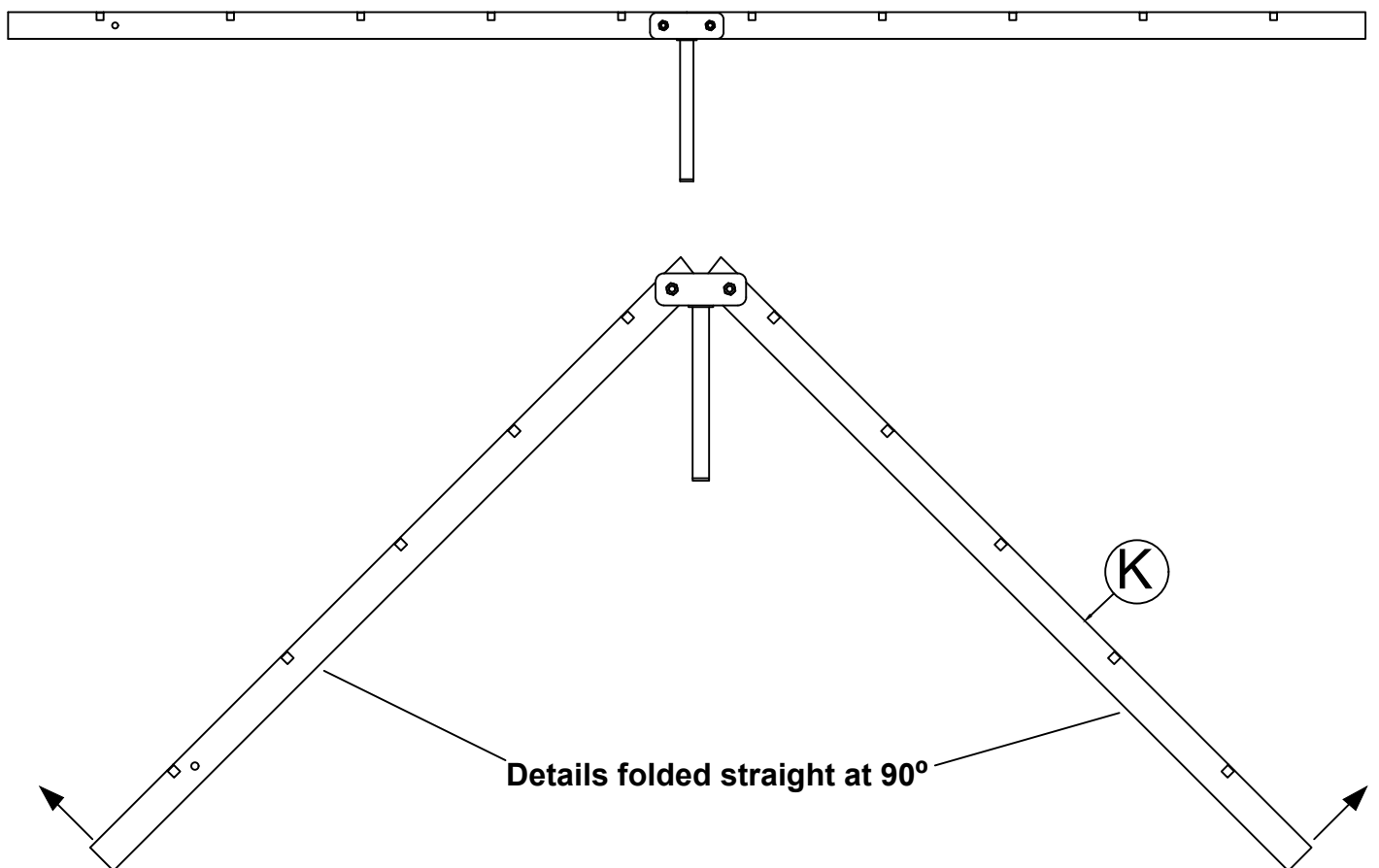


# Step 1

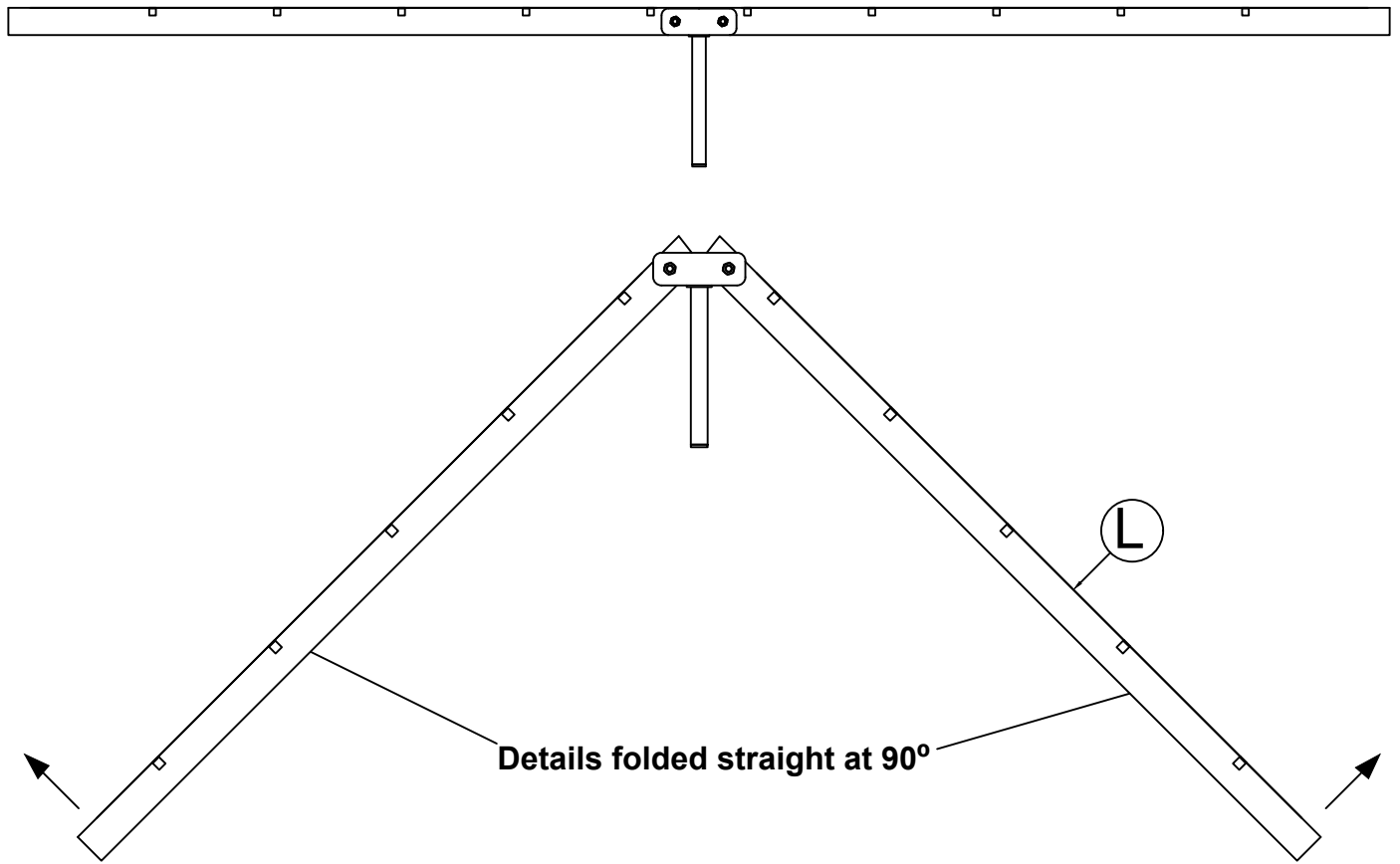


---

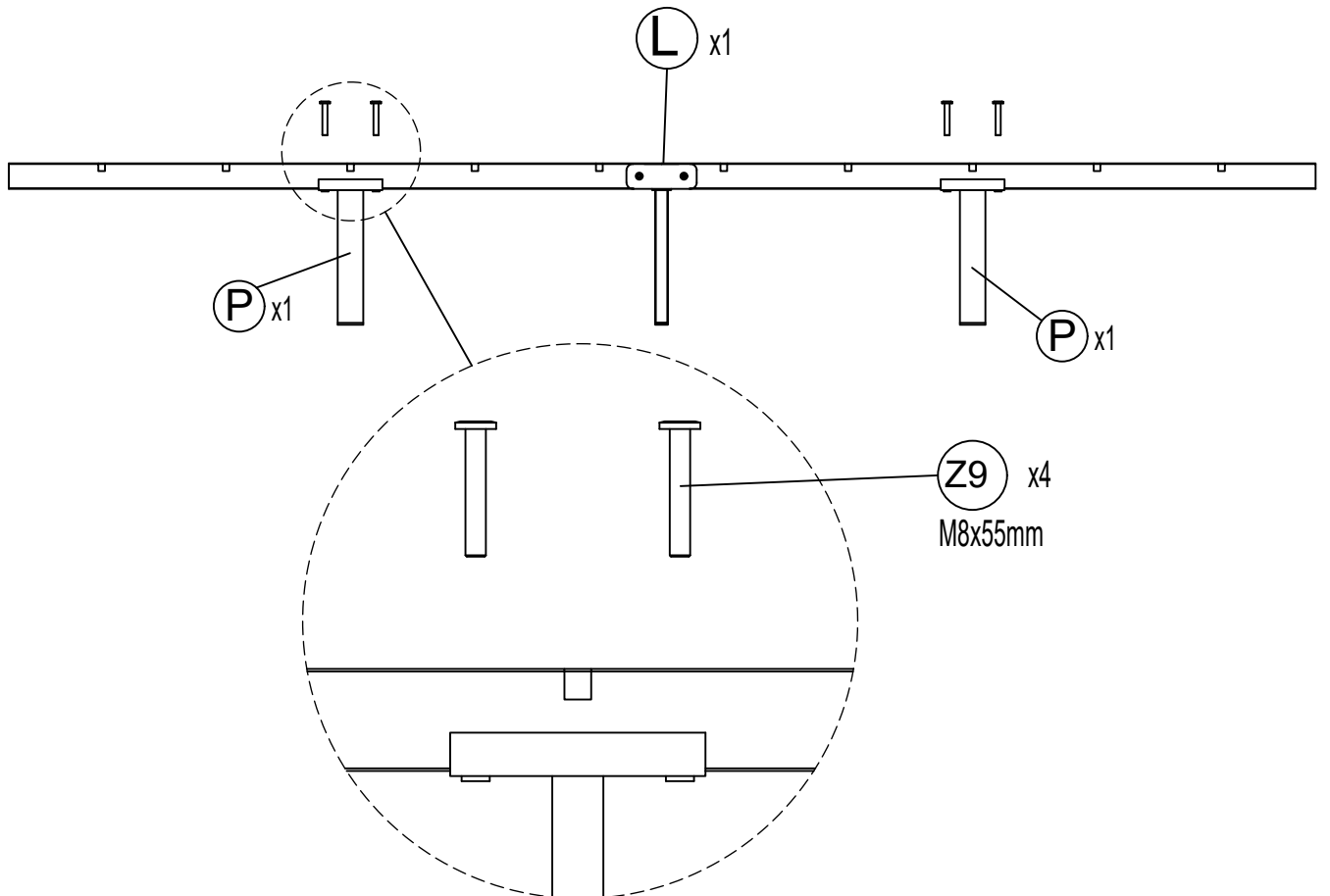
# Step 2



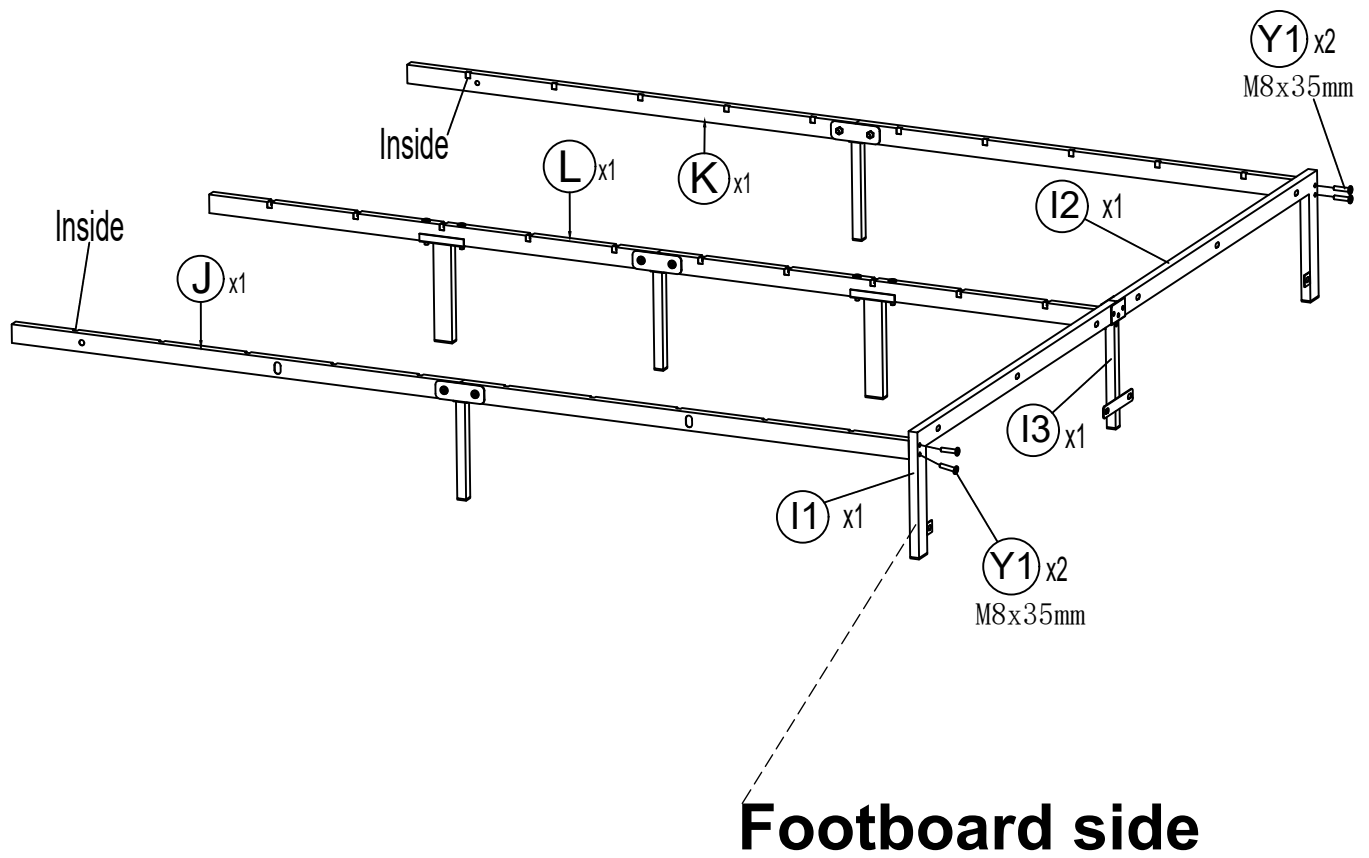
# Step 3



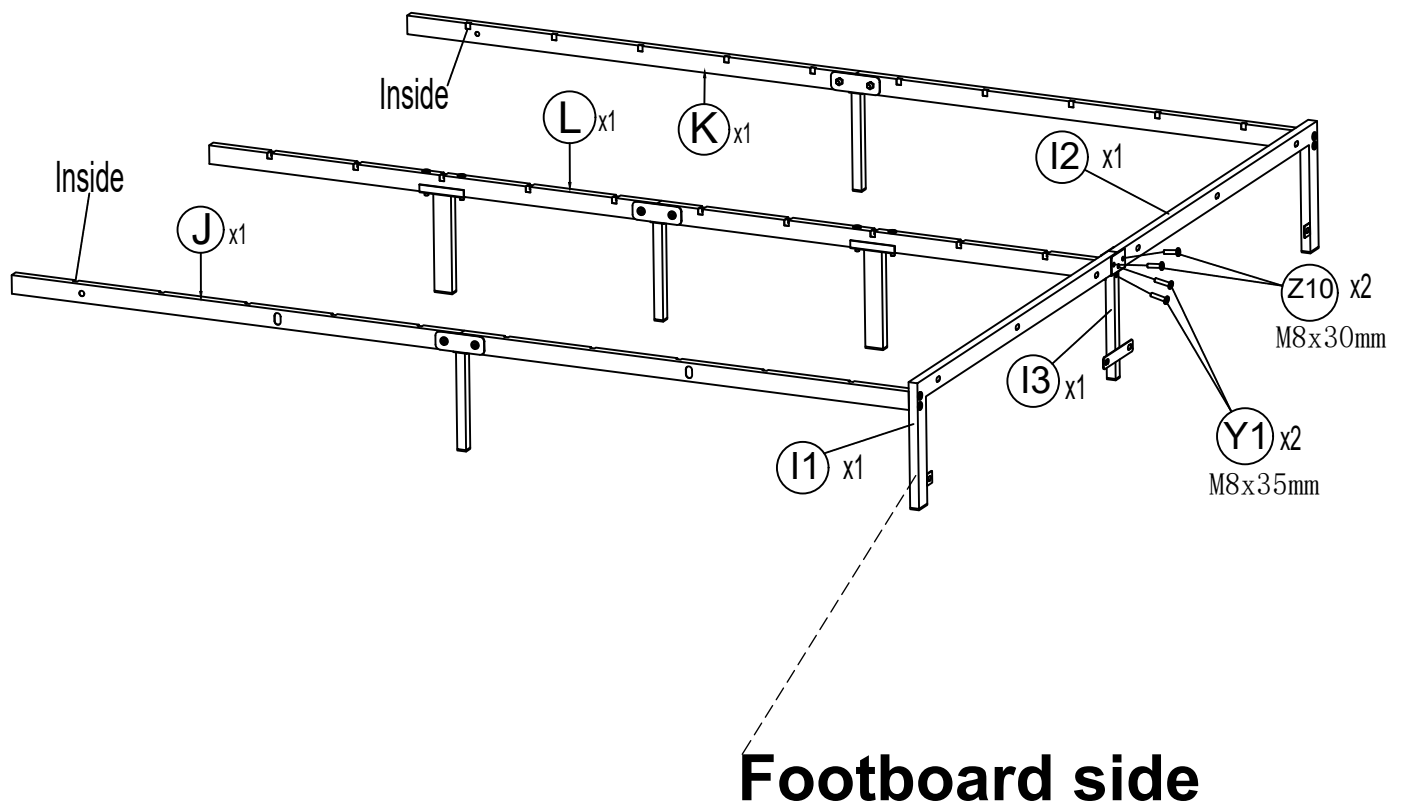
# Step 4



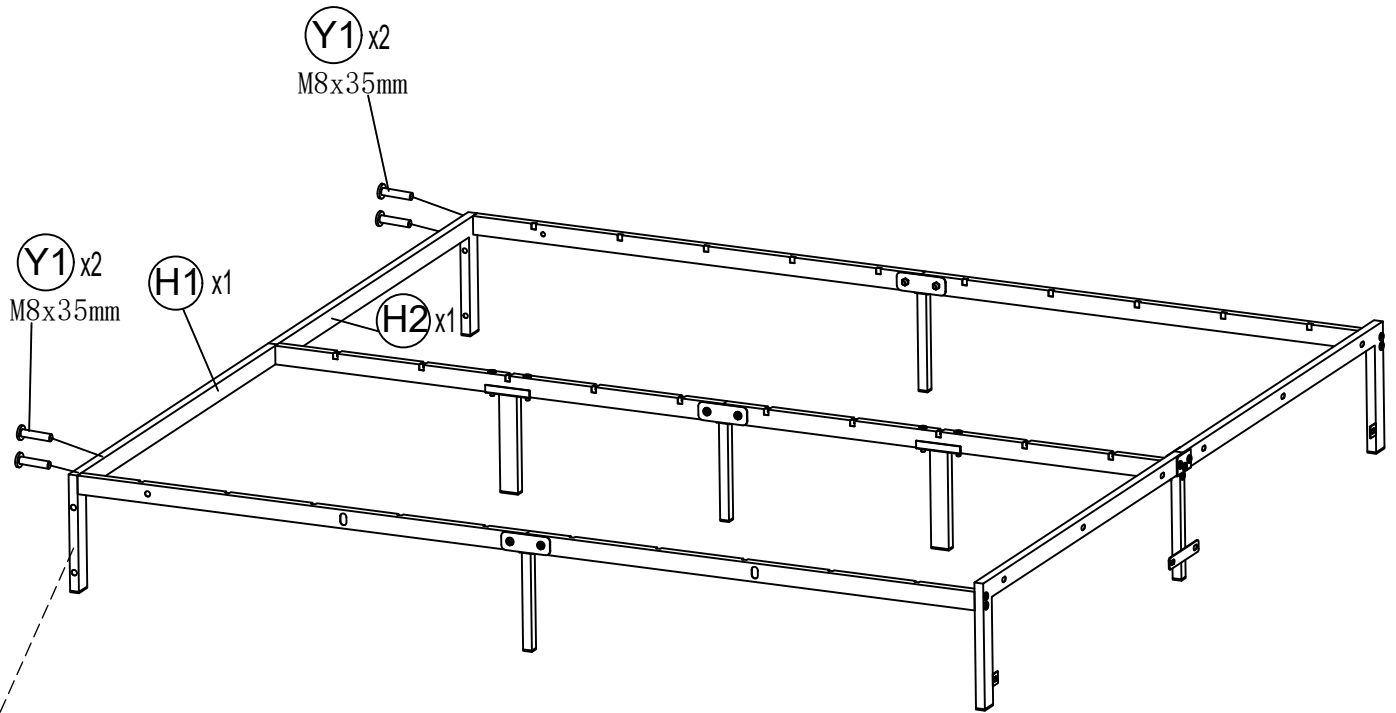
# Step 5



# Step 6

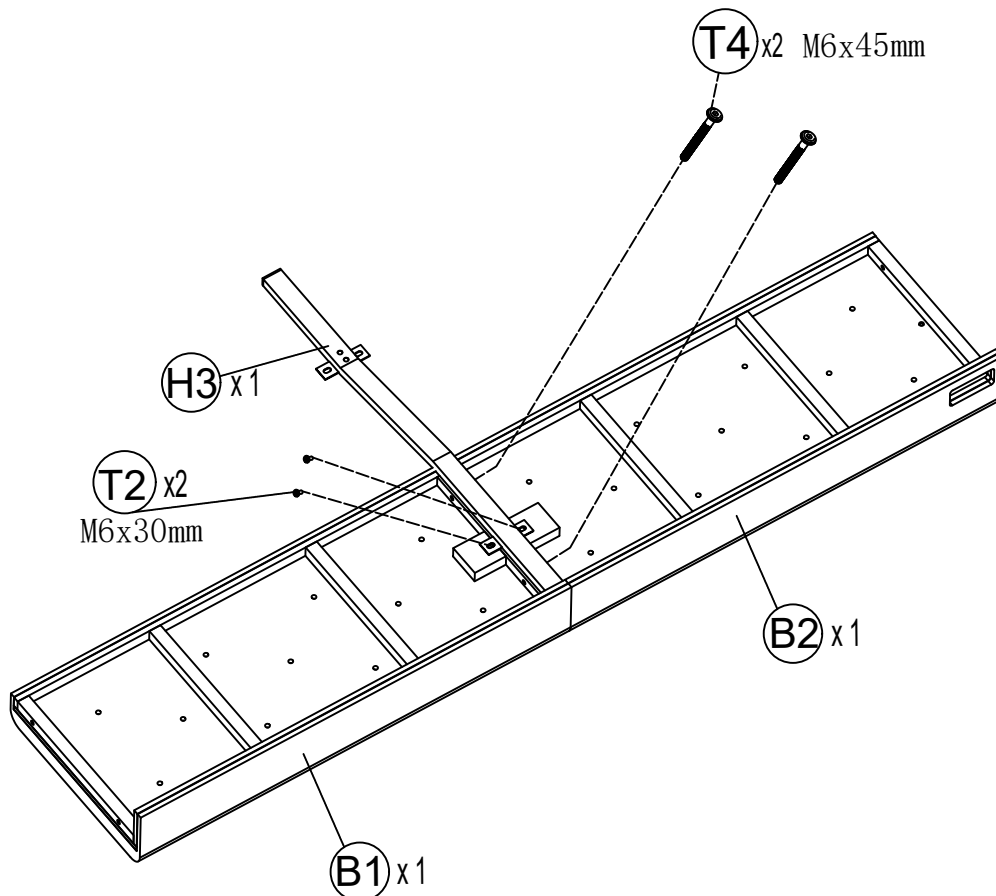


# Step 7

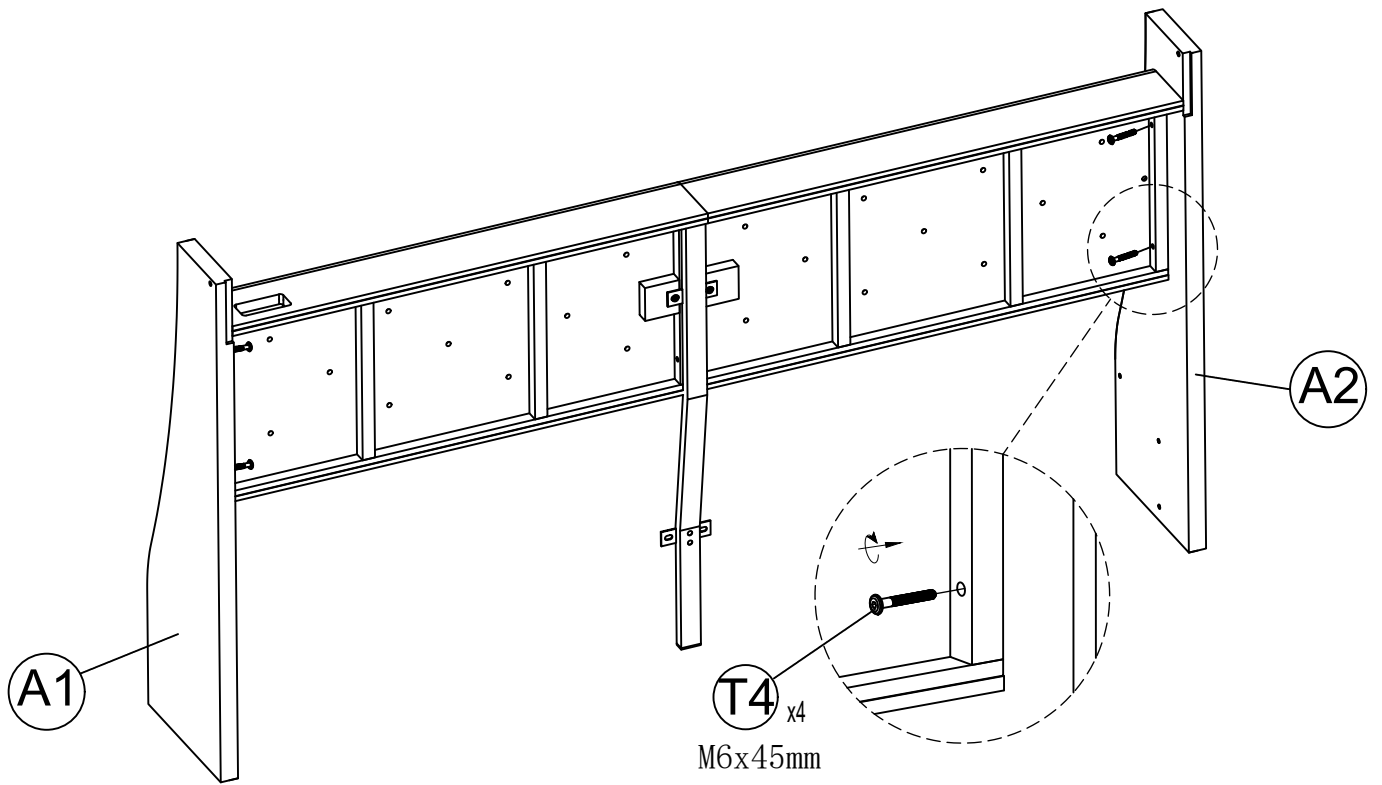


Headboard side

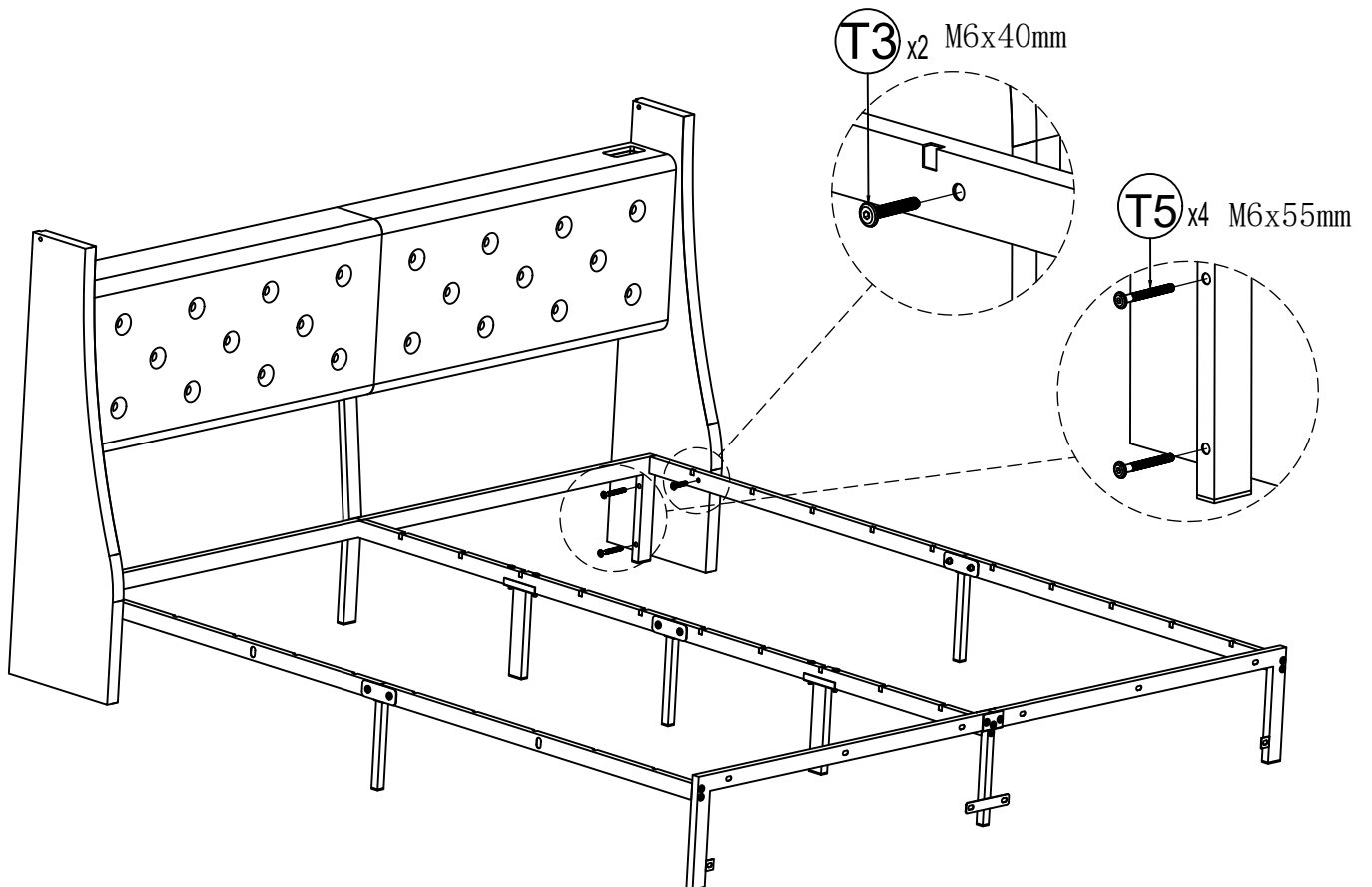
# Step 8



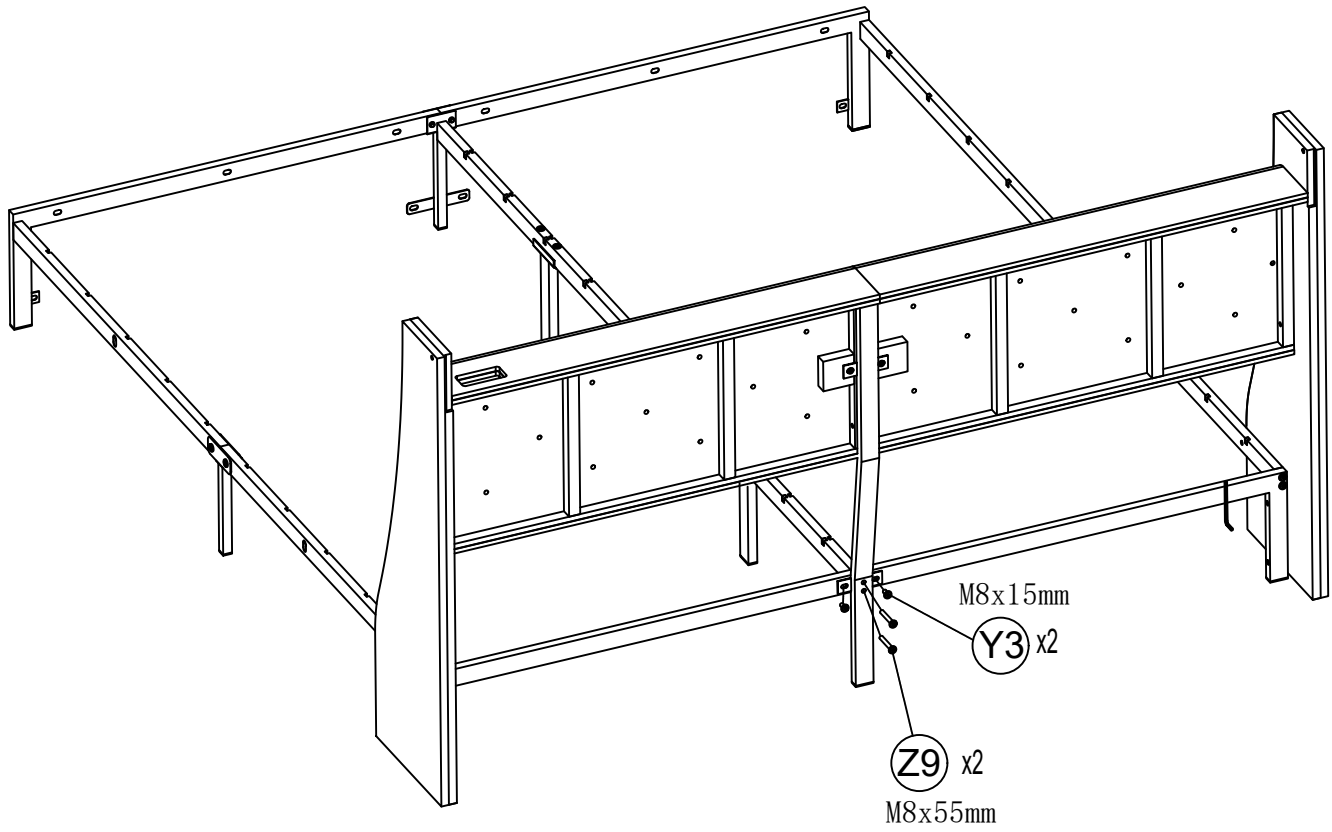
# Step 9



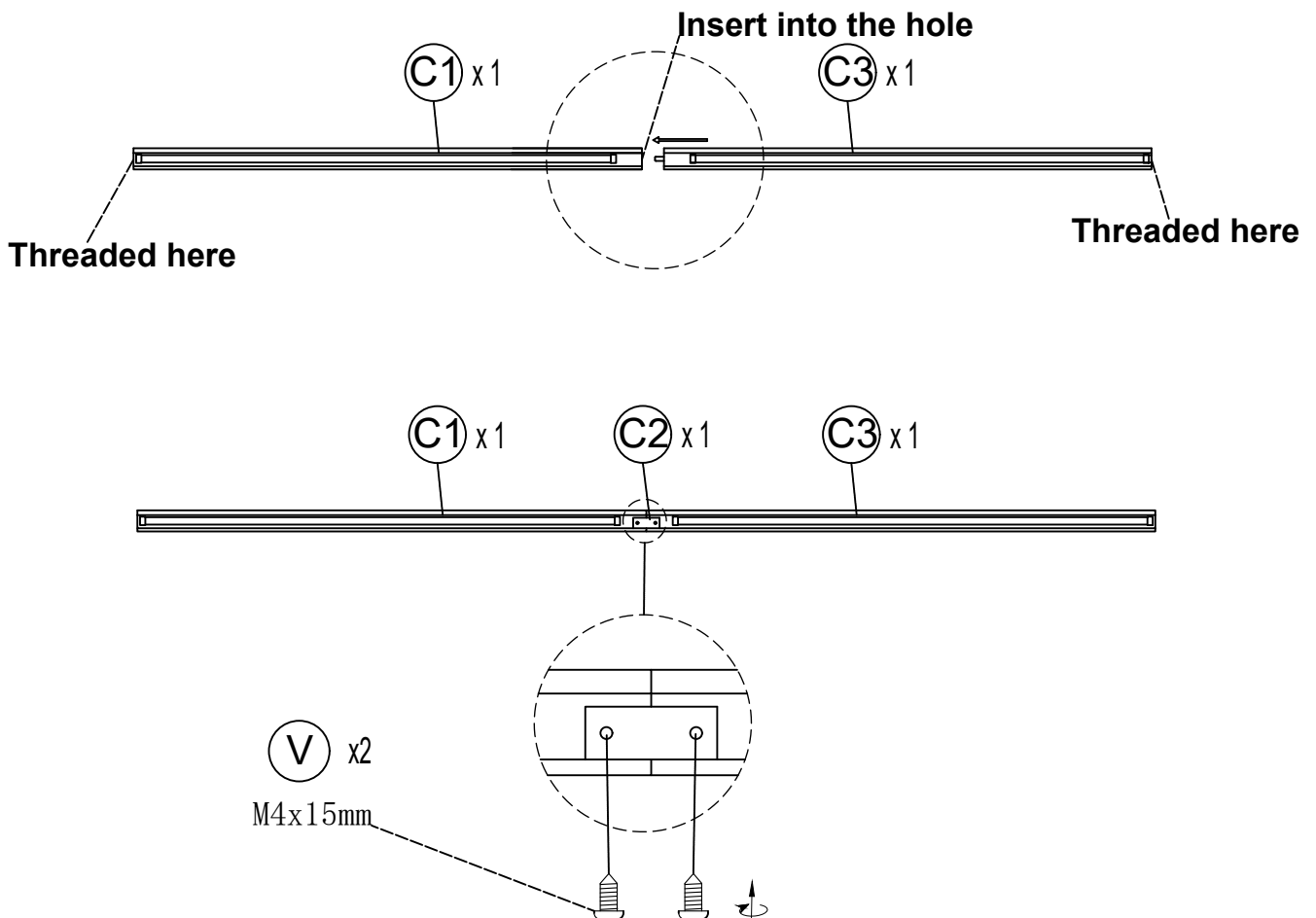
# Step 10



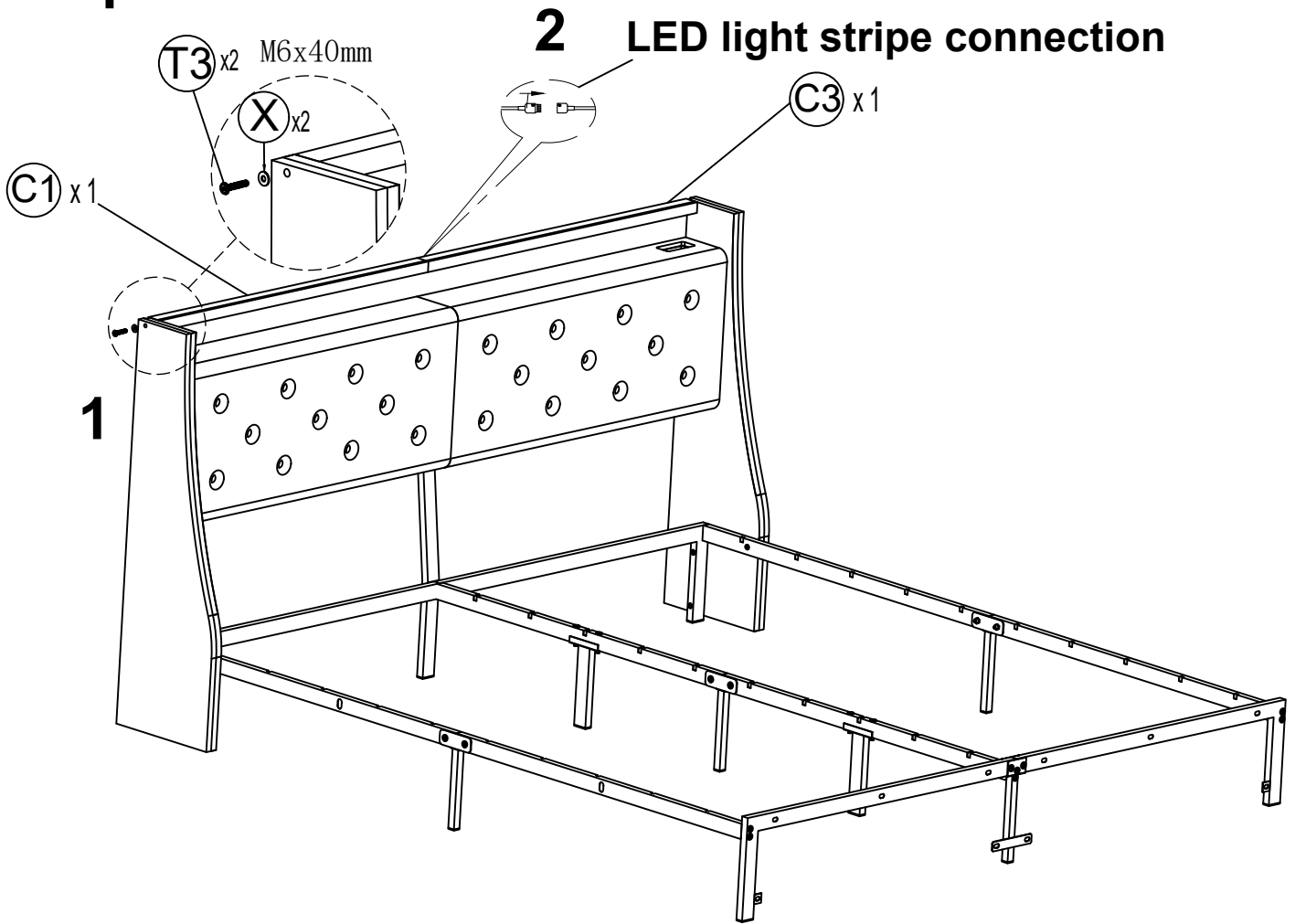
# Step 11



# Step 12

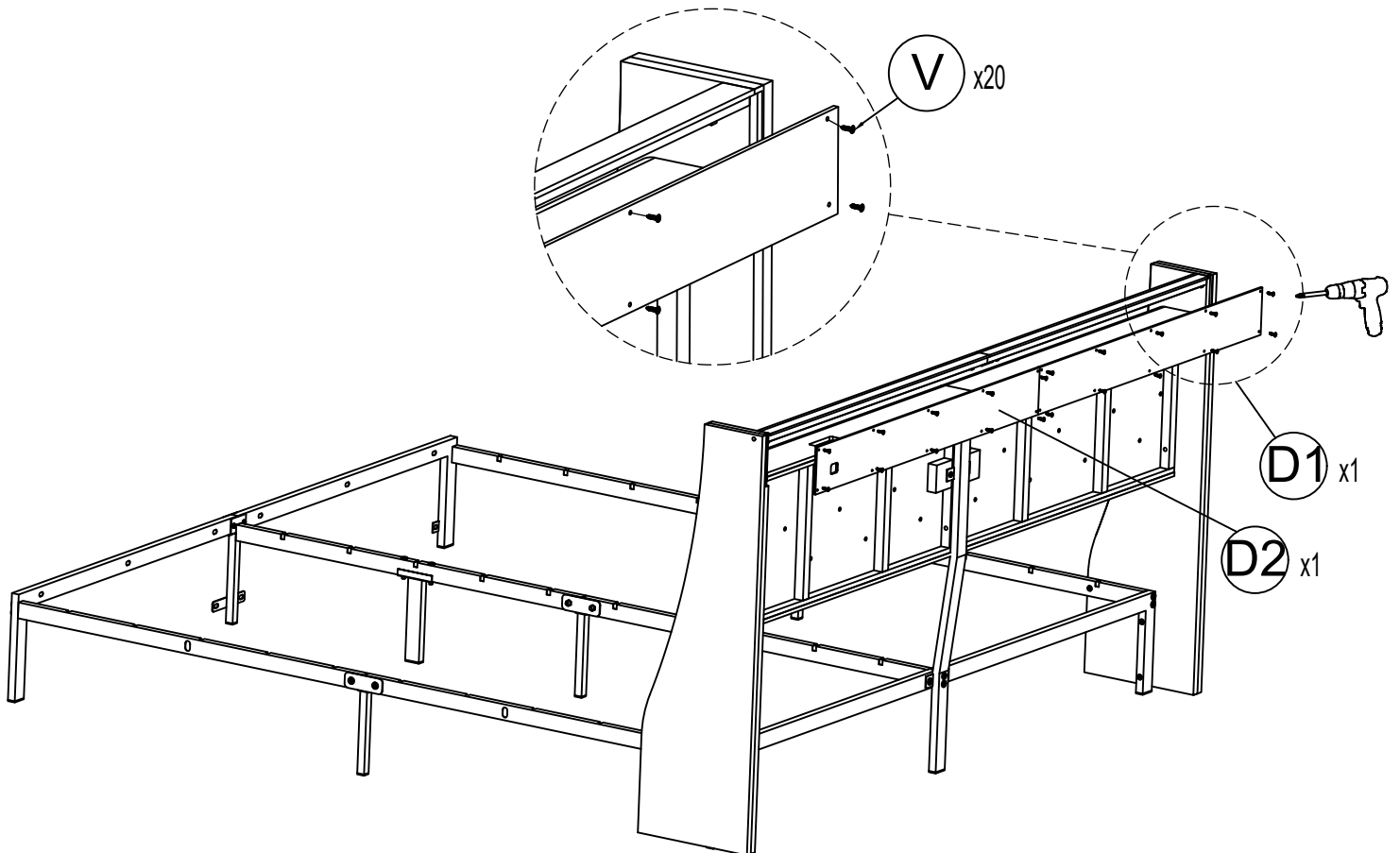


# Step 13

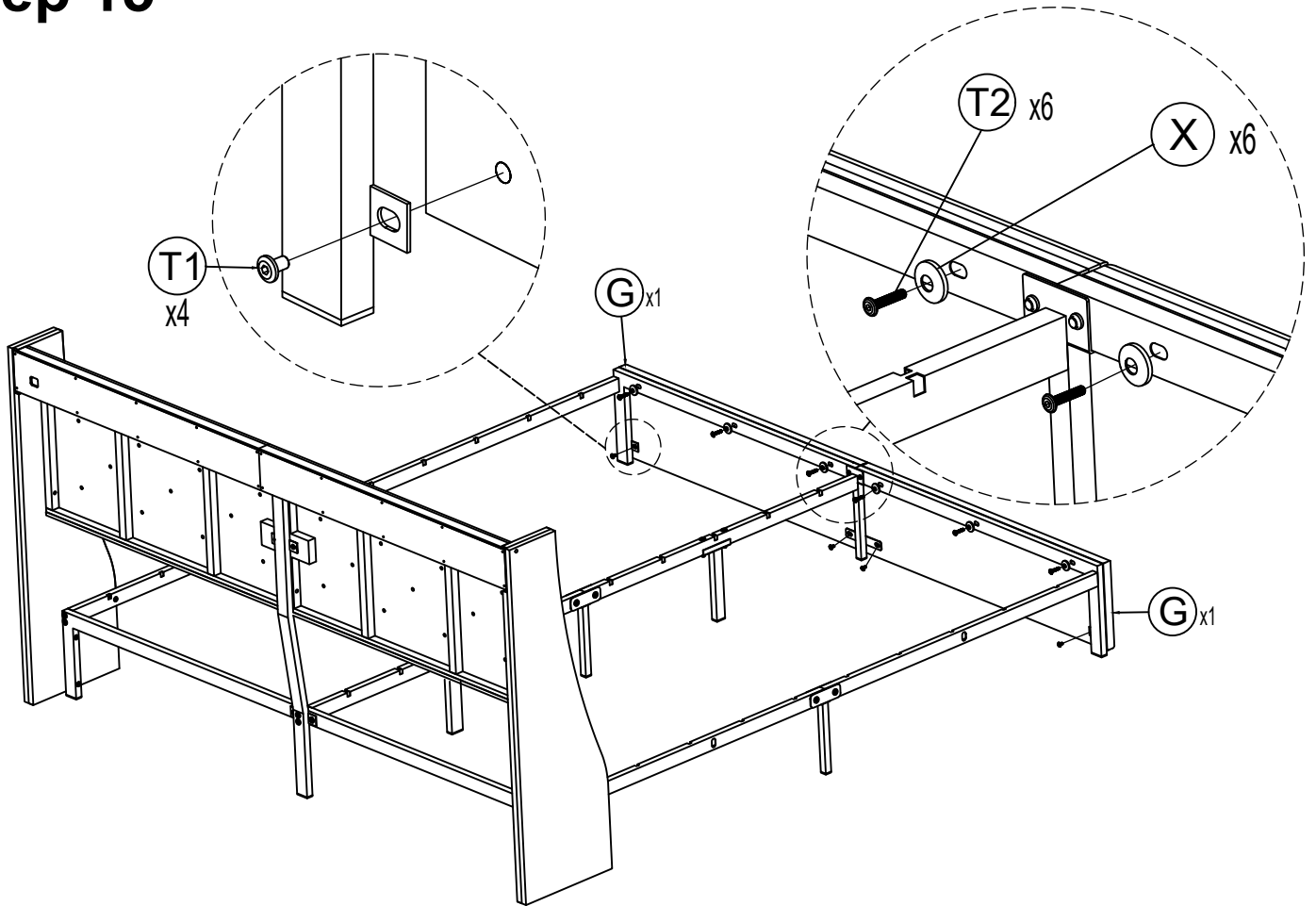


# Step 14

We suggest using drill machine to install "V" screws

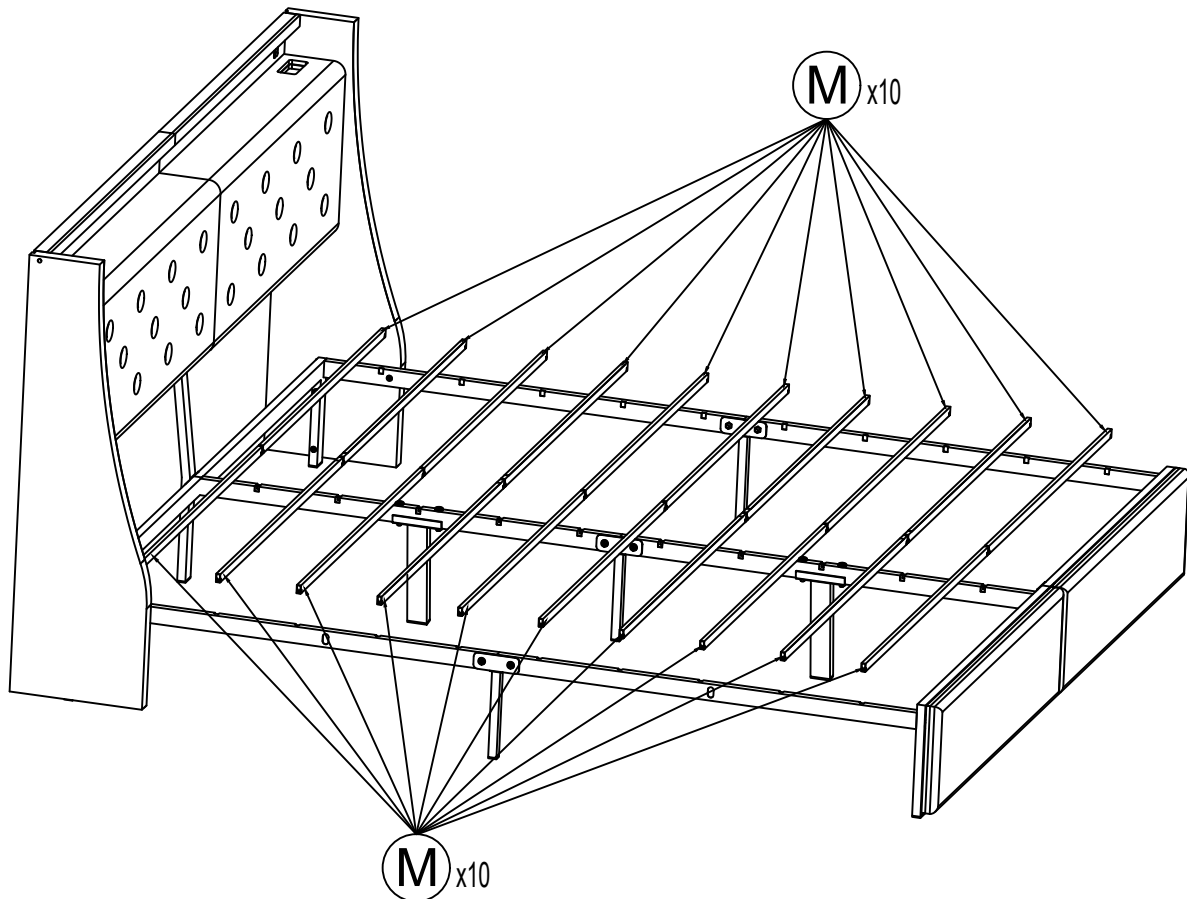


# Step 15



# Step 16

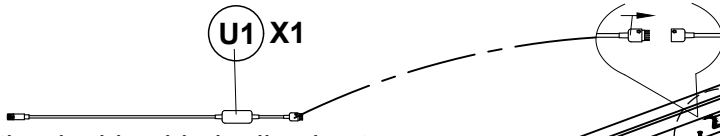
Tear off the double-sided adhesive tape before place the mattress.



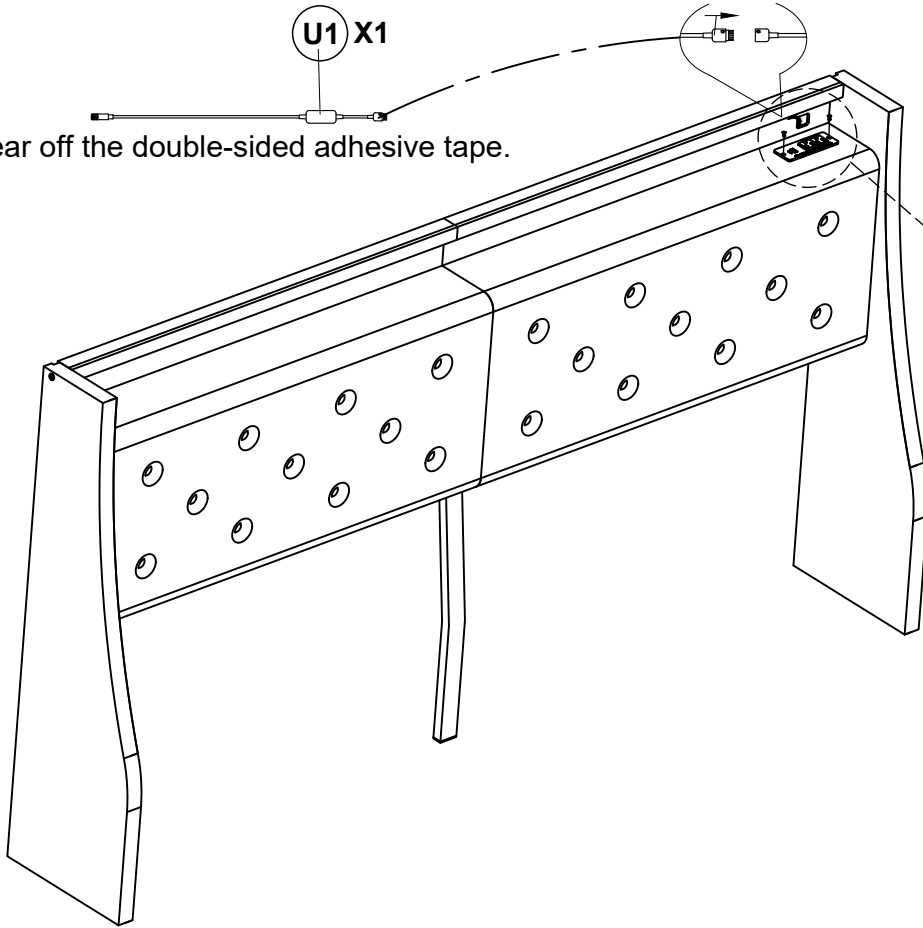
# Step 17 We suggest using drill machine to install V screws

\*Note: no holes on the board "B2" is normal

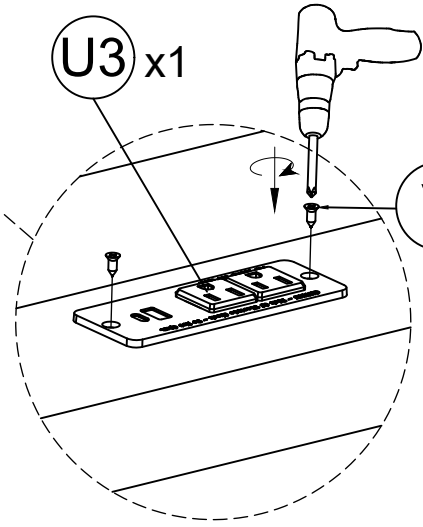
U1 X1



Tear off the double-sided adhesive tape.

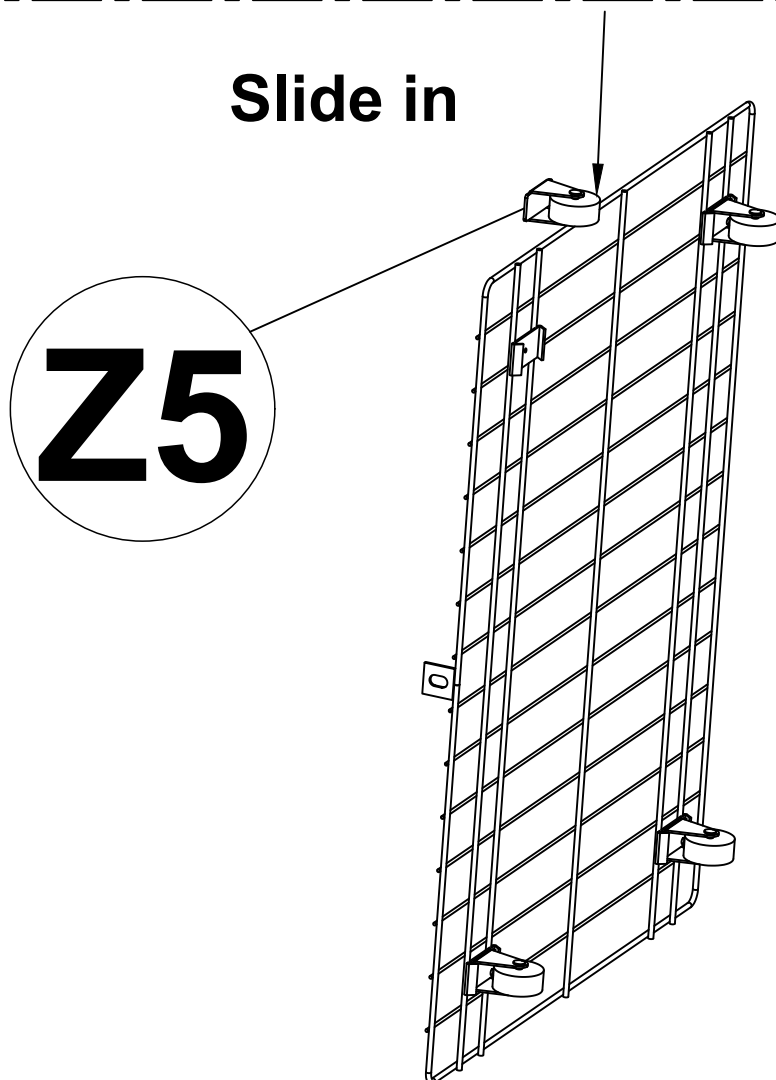
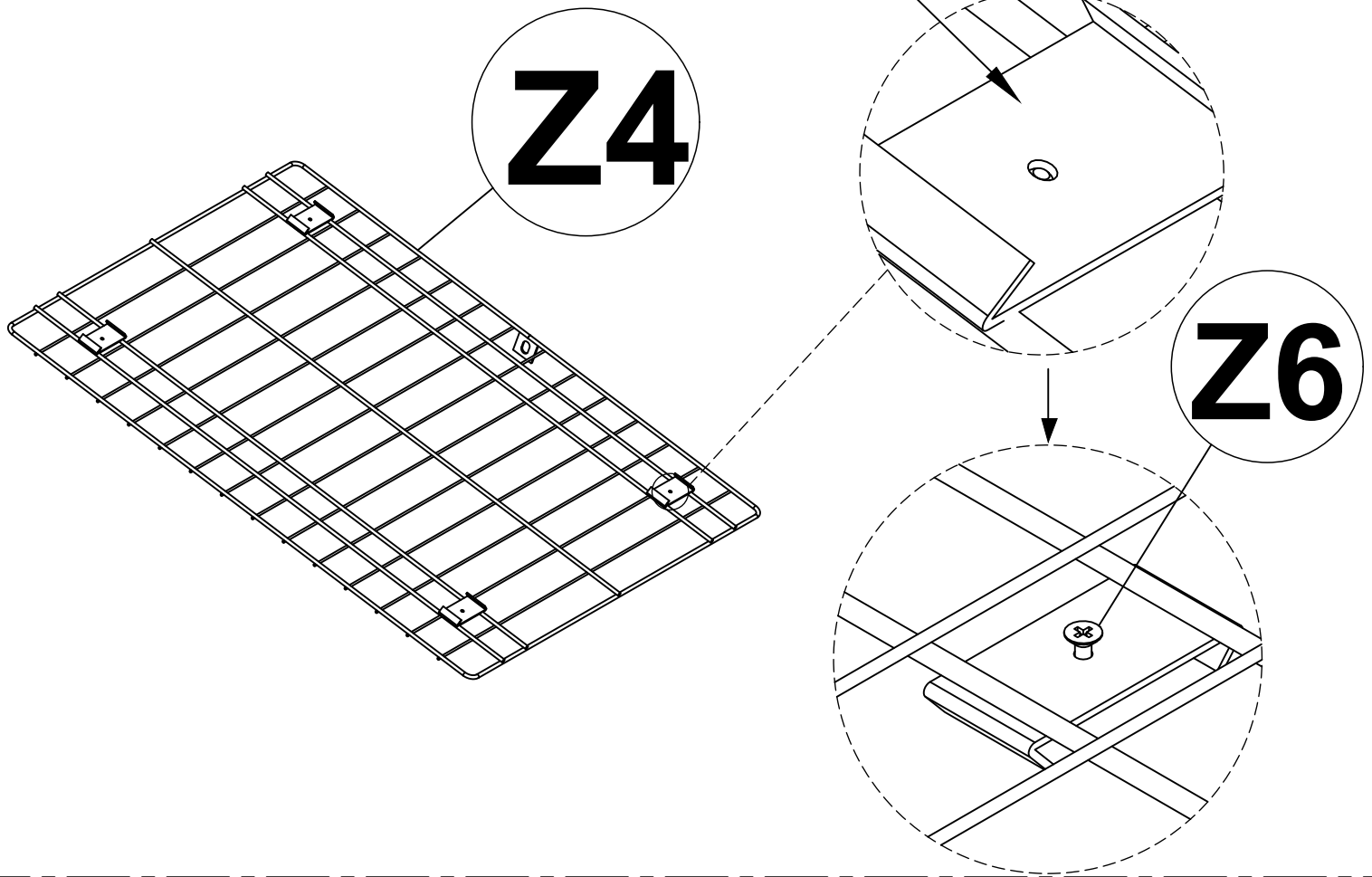


U3 x1

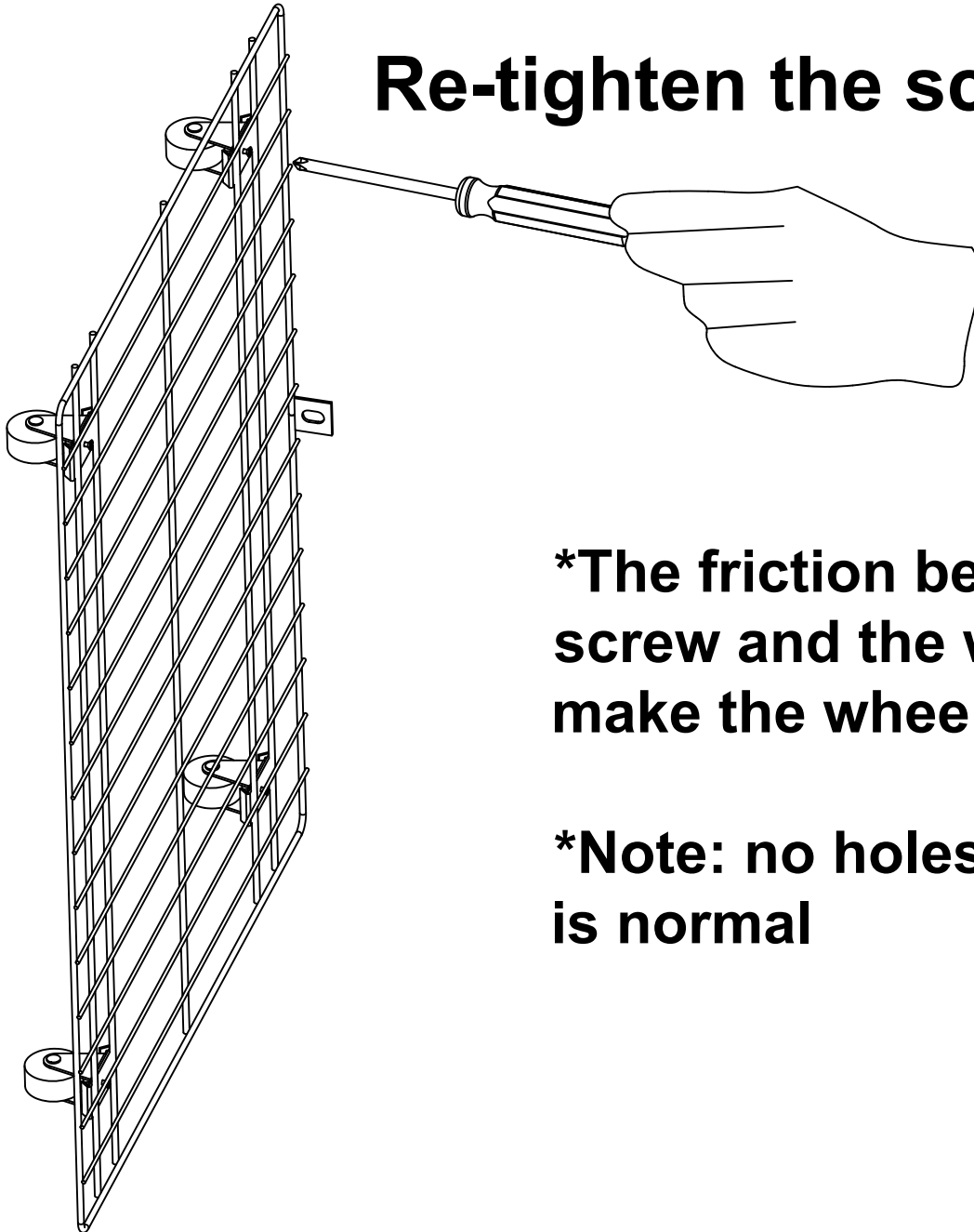


V x2

Put all the screw in but not tighten, don't let the screws get through all the wheel's holder



## Re-tighten the screws

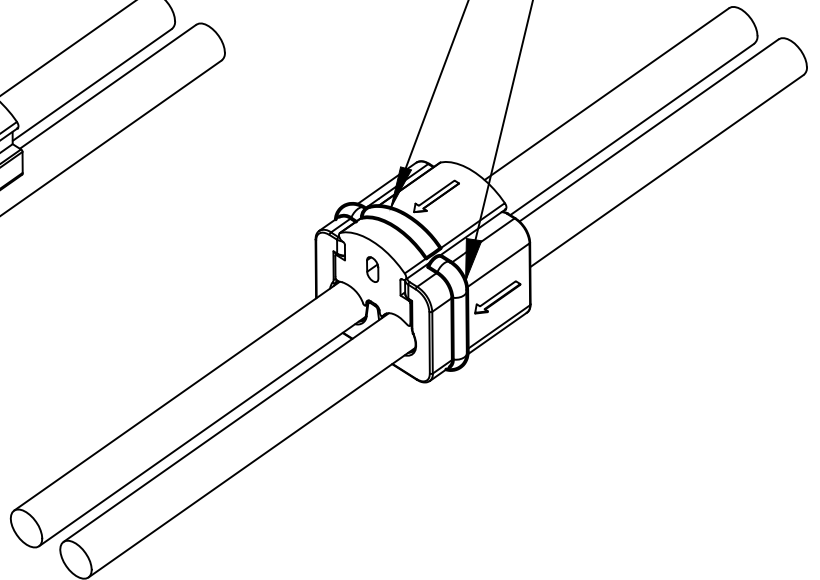
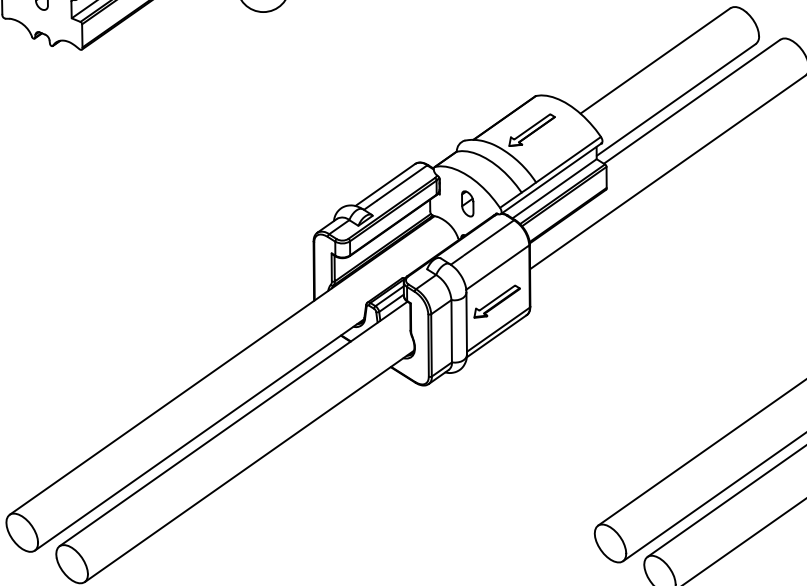
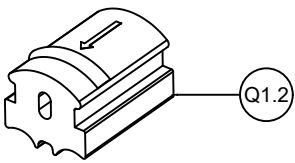
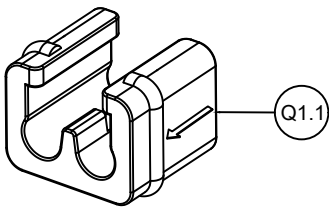


**\*The friction between the screw and the wheels will make the wheels can be holded**

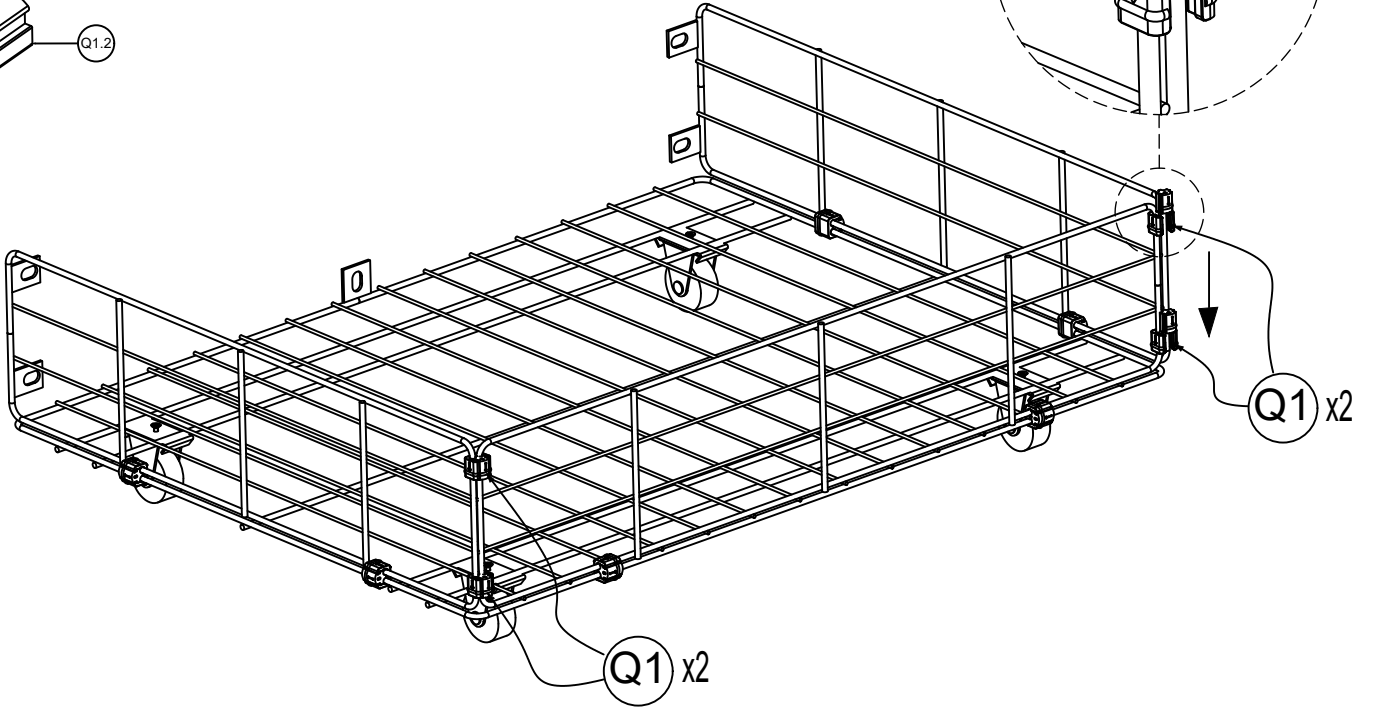
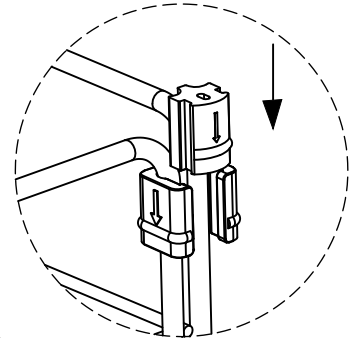
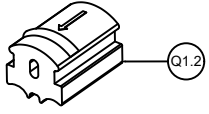
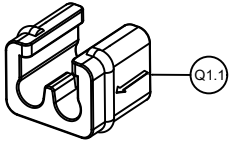
**\*Note: no holes on the wheels is normal**

# Detailed assembly instructions Q1

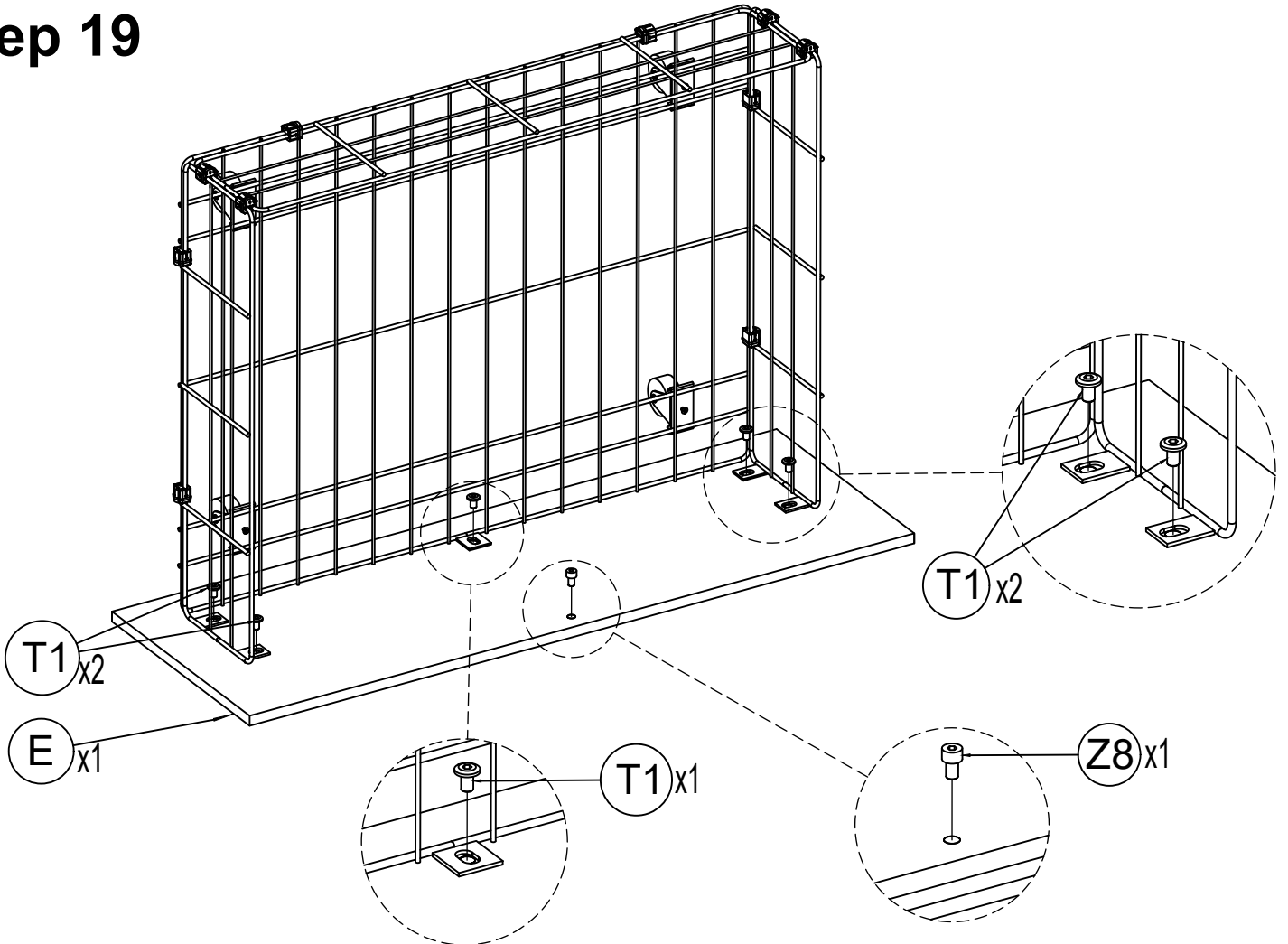
**these two  
lines on Q1.1  
and Q1.2 need  
to be matched**



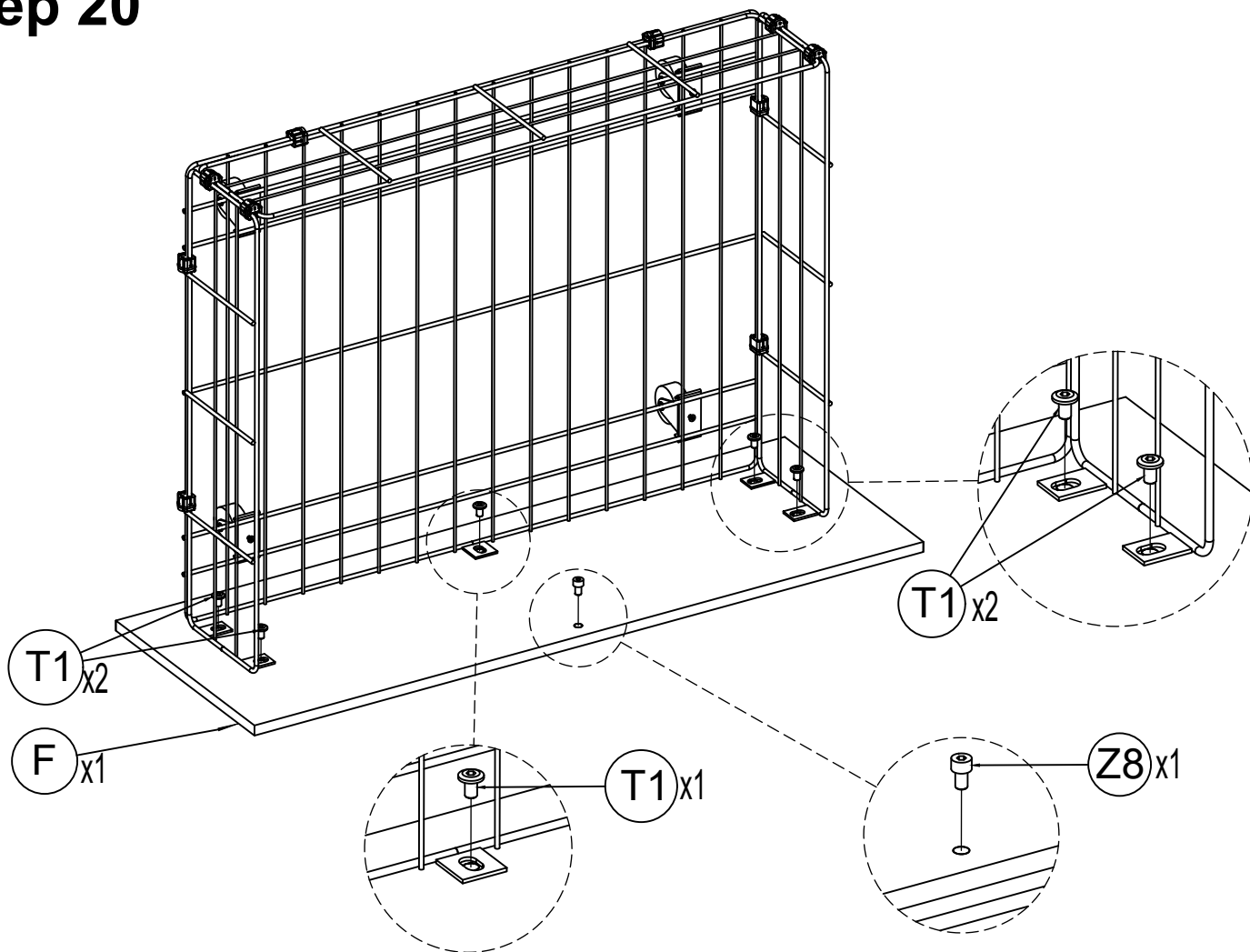
# Step 18



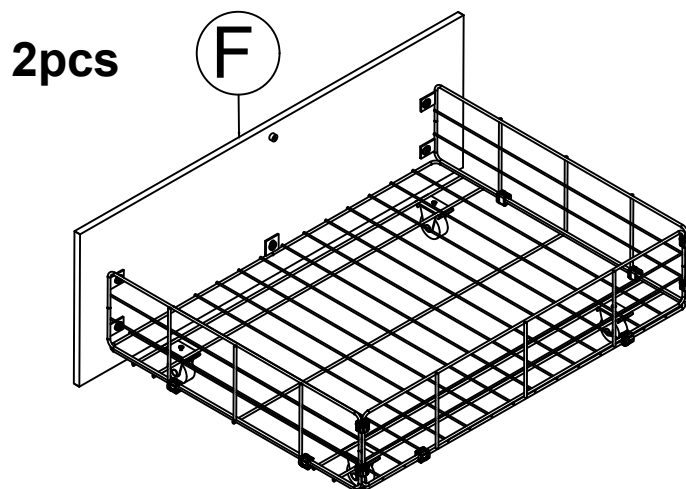
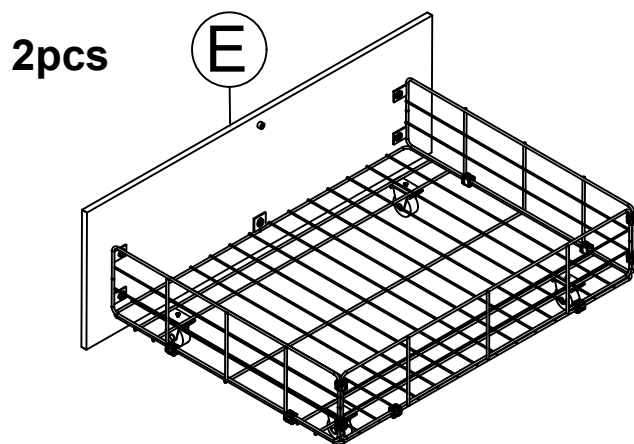
# Step 19



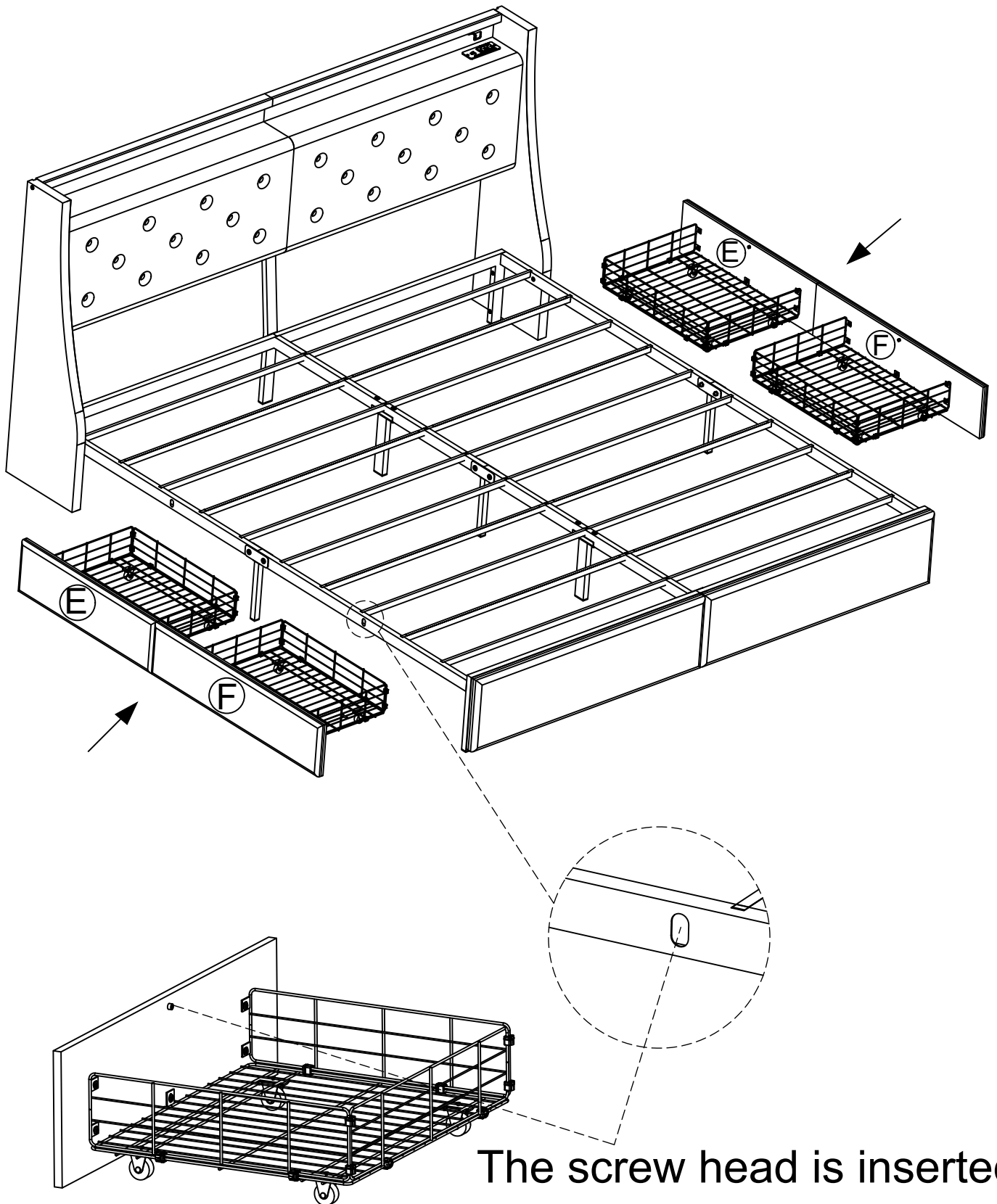
# Step 20



# Step 21



# Step 22



The screw head is inserted into this hole to help the drawer can be in the fixed position.

# REMOTE CONTROL

