

ASSEMBLY INSTRUCTIONS

Description: Dining Side Chair

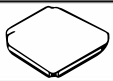
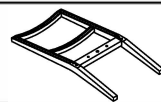
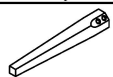
Important safety instructions:

- Please read carefully all instructions before assembly.
- For your safety and ease, assembly by two or more adults is recommended.
- Keep instructions for future use.







Pre-assembly:

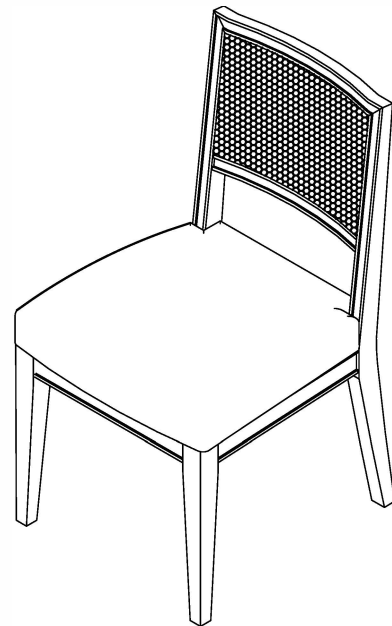
- Do not discard any content until assembly is complete to avoid accidentally discarding small parts or hardware.
- Take out all parts and hardware from box.

Parts List

| Item | Description | QTY |
|------|--|-----|
| P1 | Seat Cushion  | 1 |
| P2 | Back Frame  | 1 |
| P3 | Front Legs  | 2 |

Hardware List

| Item | Description | QTY |
|------|--|-----|
| H1 | Short Bolts Ø5/16"*2"  | 1 |
| H2 | Medium Bolts Ø5/16"*2-1/4"  | 4 |
| H3 | Long Bolts Ø5/16"*3-1/4"  | 4 |
| H4 | Lock Washers 5/16"  | 9 |
| H5 | Flat washers 5/16"  | 9 |
| H6 | Allen Wrench 5/16"  | 1 |







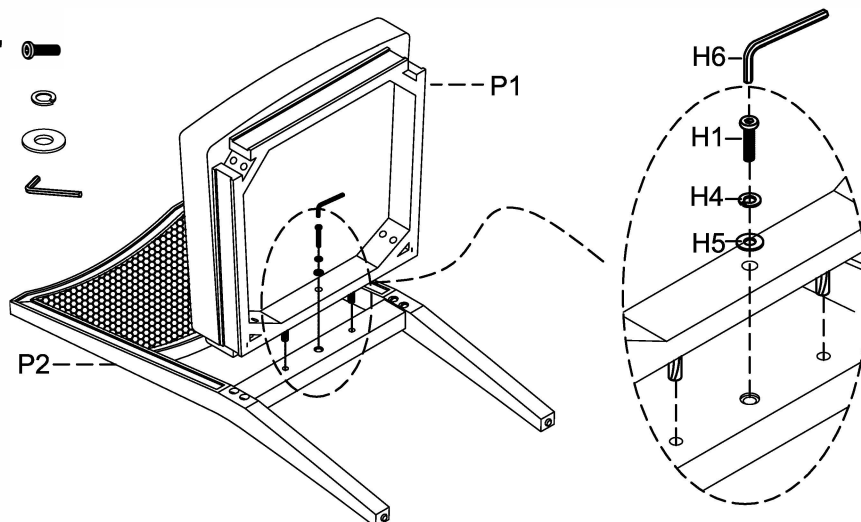
DISCLAIMER:

WHEN PROPERLY ASSEMBLED, THIS ITEM IS SAFE FOR INTENDED USE. SELLER IS NOT LIABLE FOR ANY DAMAGES RESULTING FROM ITEM BEING IMPROPERLY ASSEMBLED AFTER PURCHASE.





Assembly Procedures:

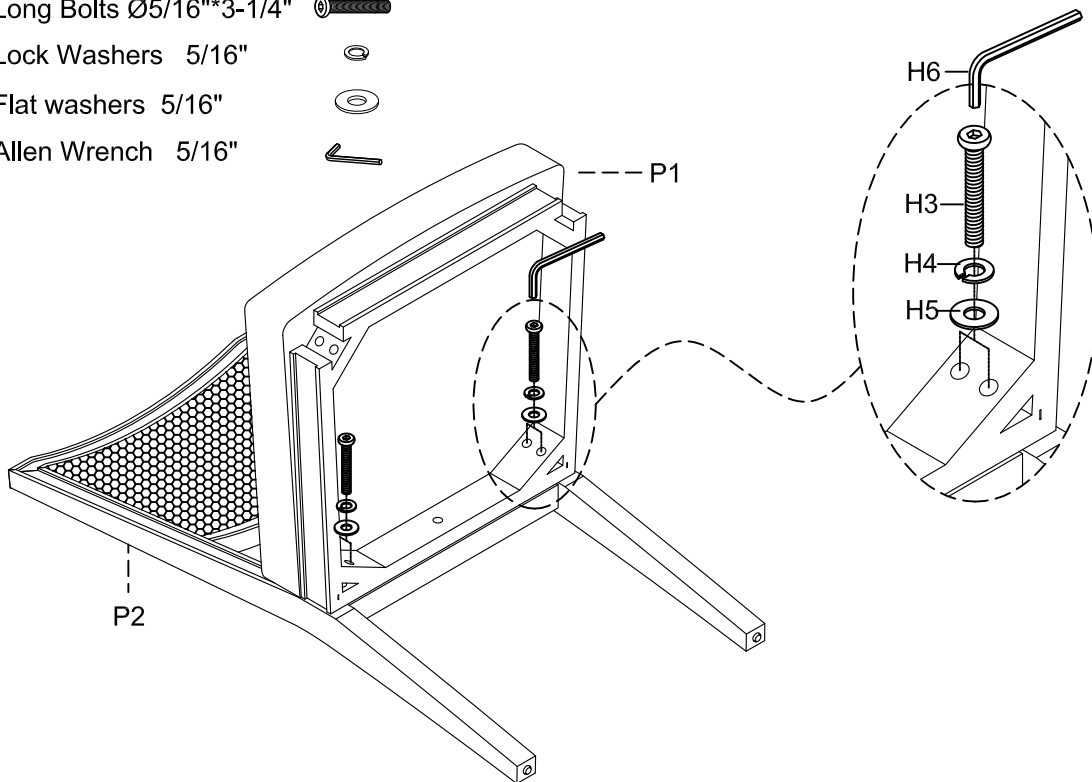
Step 1. Assemble the chair on a flat, soft surface such as a carpet or cloth to prevent scratching the finish. Attach seat cushion (P1) with two located dowels to back frame (P2) as shown below. Loosely tighten the bolts with Allen wrench (H6).

- (H1)x1 Short Bolts Ø5/16"*2" 
- (H4)x1 Lock Washers 5/16" 
- (H5)x1 Flat washers 5/16" 
- (H6)x1 Allen Wrench 5/16" 







Step 2. Attach seat cushion (P1) to the legs of back frame (P2) as shown below. Loosely tighten the bolts with Allen wrench (H6).

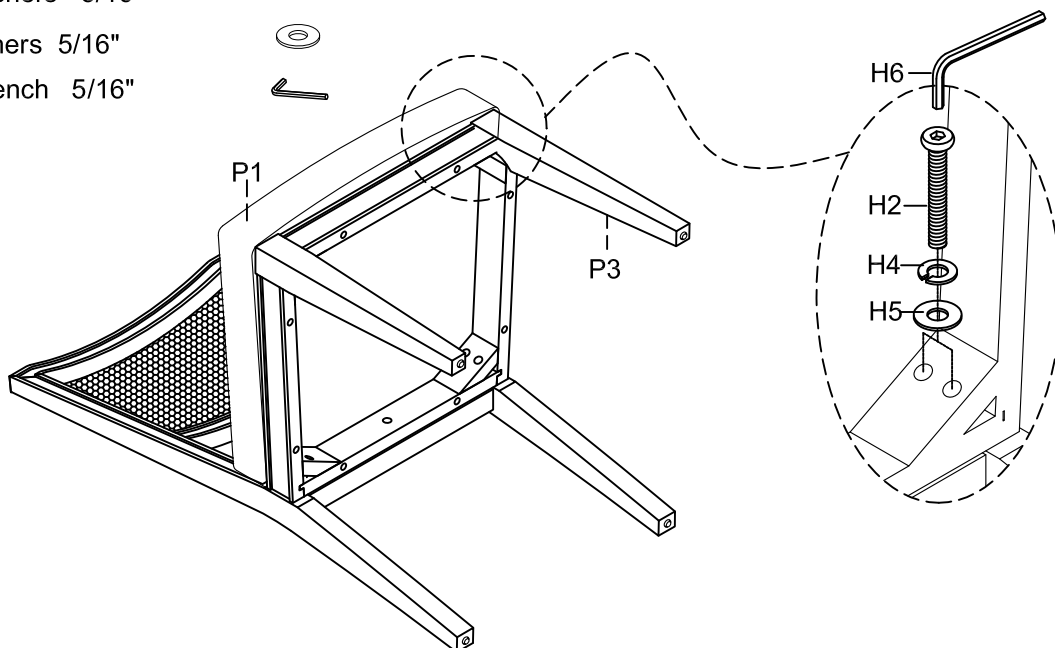
- (H3)x4 Long Bolts $\text{Ø}5/16 \times 3-1/4$ " 
- (H4)x4 Lock Washers 5/16" 
- (H5)x4 Flat washers 5/16" 
- (H6)x1 Allen Wrench 5/16" 



Step 3.

- 1) Attach the front legs (P3) to the seat cushion (P1) as shown below. Make sure the assembled chair is level and securely tighten all the bolts with Allen wrench (H6).
- 2) Assembly is complete. **Failure to follow these instructions may cause the bolts to misalign during assembly.**

- (H2)x4 Medium Bolts $\text{Ø}5/16 \times 2-1/4$ " 
- (H4)x4 Lock Washers 5/16" 
- (H5)x4 Flat washers 5/16" 
- (H6)x1 Allen Wrench 5/16" 



ADDITIONAL NOTE ABOUT SAFETY:

BOLTS MAY LOOSEN DURING NORMAL EVERYDAY USE.

THEY SHOULD BE INSPECTED AT LEAST EVERY 3 MONTHS AND RE-TIGHTENED AS NEEDED TO PREVENT DAMAGE OR INJURY, AND ENSURE STABILITY.

Thank you for your purchase