

Single Clamp Rotating Keyboard Tray

SKU: MOUNT-KB04CB
Instruction Manual

Assembly Video & Product Info
www.vivo-us.com/products/mount-kb04cb



! CAUTION! !

If you do not understand these directions, or if you have any doubts about the safety of the installation, please contact our product support team at 309-278-5303 or help@vivo-us.com for further assistance. Check carefully to make sure there are no missing or defective parts. Improper installation may cause damage or serious injury. Do not use this product for any purpose that is not explicitly specified in this manual. Do not exceed weight capacity. We cannot be liable for damage or injury caused by improper mounting, incorrect assembly or inappropriate use.



WARNING: CHOKING HAZARD

SMALL PARTS - NOT FOR CHILDREN UNDER 3 YEARS. ADULT SUPERVISION IS REQUIRED.



DO NOT EXCEED WEIGHT CAPACITY

FAILURE TO DO SO MAY RESULT IN SERIOUS INJURY.

We're Here for You

Open **Monday - Friday 7:00am - 7:00pm** CST, our dedicated support team can offer immediate assistance with rapid response times. If any parts are received damaged or defective, please contact us. We are happy to replace parts to ensure you have a fully functioning product.



Give us a Call:
309-278-5303

AVG. RESOLUTION TIME (*within office hrs*): **5M 4S**



Chat Us:
www.vivo-us.com

AVG. RESOLUTION TIME (*within office hrs*): **< 15 M**

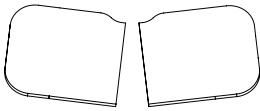


Email Us:
help@vivo-us.com

AVG. RESPONSE TIME (*within office hrs*): **1HR 8M**

- 23% within < 15m
- 38% within < 30m
- 61% within < 1hr
- 83% within < 2hr
- 92% within < 3hr

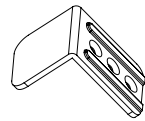
Package Contents



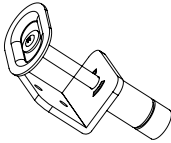
A (x1)
Keyboard Tray



B (x1)
Connecting
Plate



C (x1)
Clamp
Brace



D (x1)
Clamp



E (x1)
Sticker



F (x2)
Plastic
Bushing



G (x1)
Swivel
Cap

Included Hardware & Tools



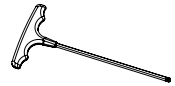
S-A (x4)
M8x12mm
Screw



S-B (x10)
M5x12mm
Screw



T-A (x1)
3mm Allen Wrench



T-B (x1)
4mm Allen Wrench

Tools Needed:



**Phillips
Screwdriver**

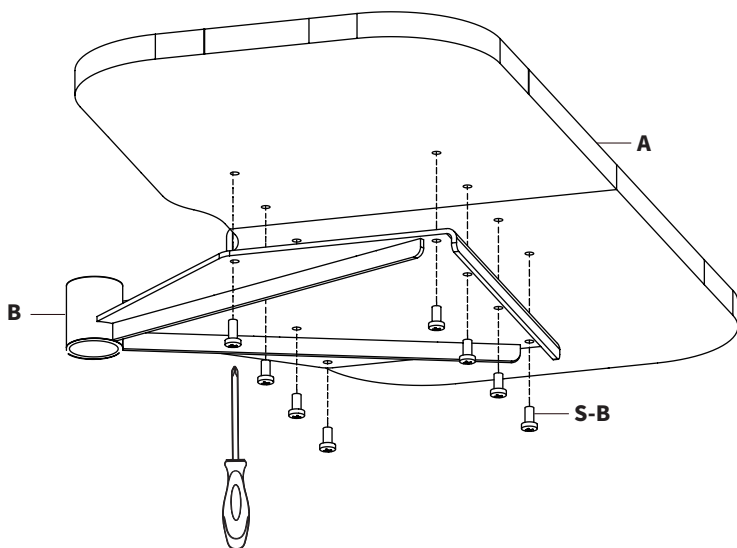
Weight Capacity:



ASSEMBLY STEPS

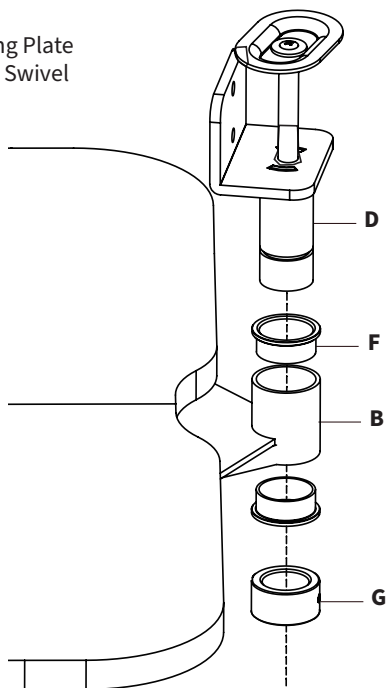
STEP 1

Assemble Keyboard Tray (**A**) together using Connecting Plate (**B**) and M5x12mm Screws (**S-B**). Tighten screws using a Phillips screwdriver.



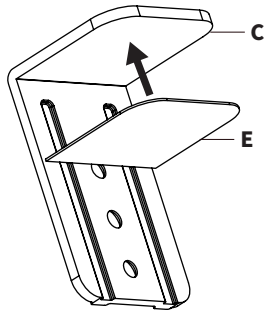
STEP 2

Attach Clamp (**D**) to the Connecting Plate (**B**) using Plastic Bushings (**F**) and Swivel Cap (**G**) as shown.

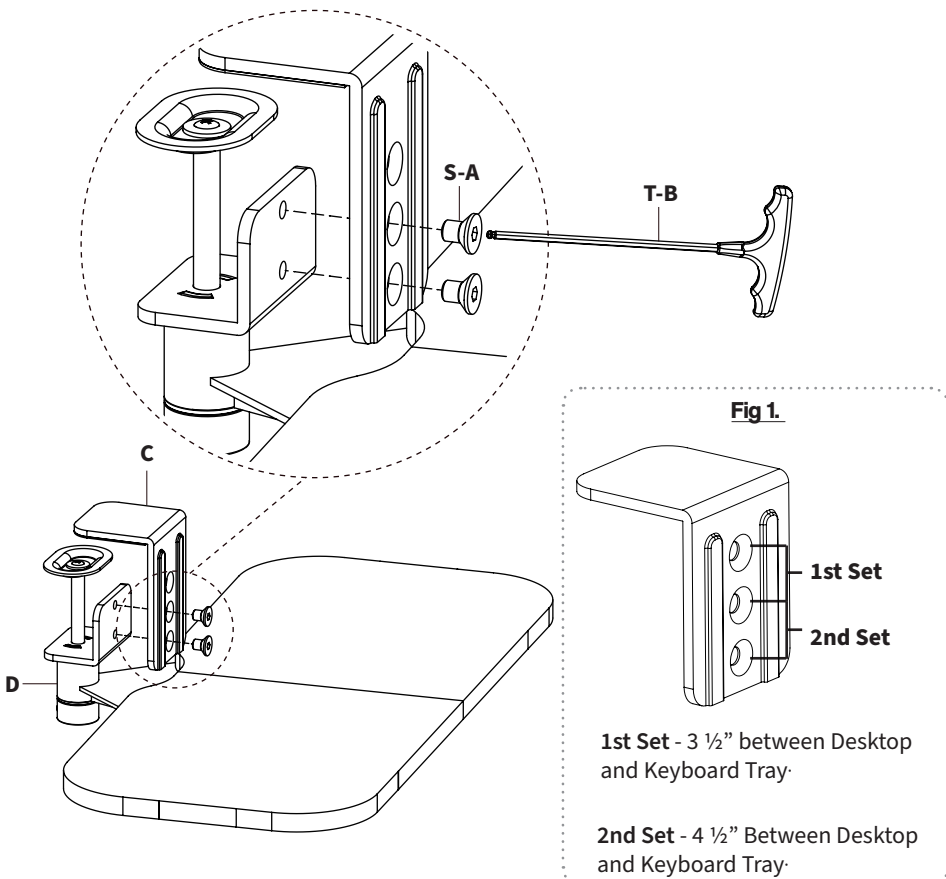


STEP 3

Remove adhesive backing from Sticker (E) and apply to Clamp Brace (C) as shown.

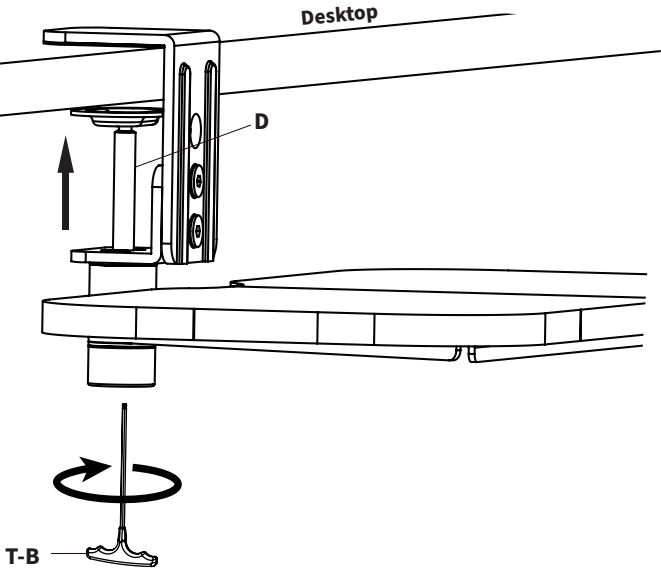


Choose your set placement based on **Fig 1**. Secure Clamp Brace (C) to the Clamp (D) using M8x12mm Screws (S-A) and 4mm Allen Wrench (T-B).



STEP 4

Clamp the assembly onto your desktop. Tighten Clamp (**D**) by turning the Internal Screw using 4mm Allen Wrench (**T-B**).

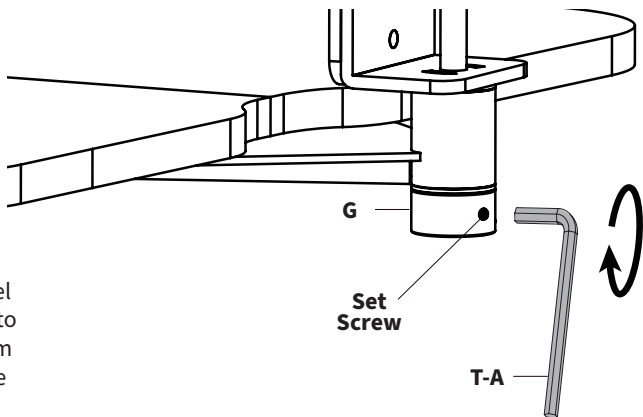


Secure by tightening the **Set Screw** on the Swivel Cap (**G**) with 3mm Allen Wrench (**T-A**).



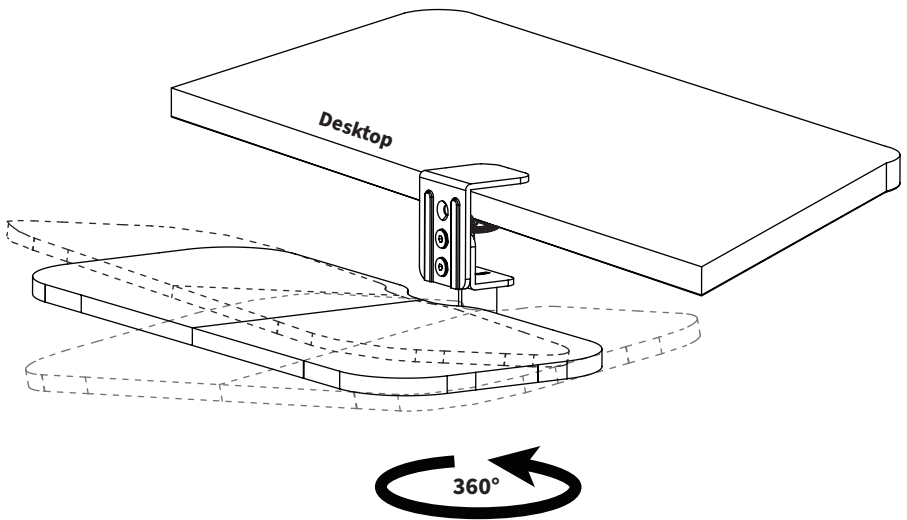
CAUTION

The Set Screw on the Swivel Cap **MUST BE TIGHTENED** to prevent the Swivel Cap from loosening and allowing the tray assembly to fall.

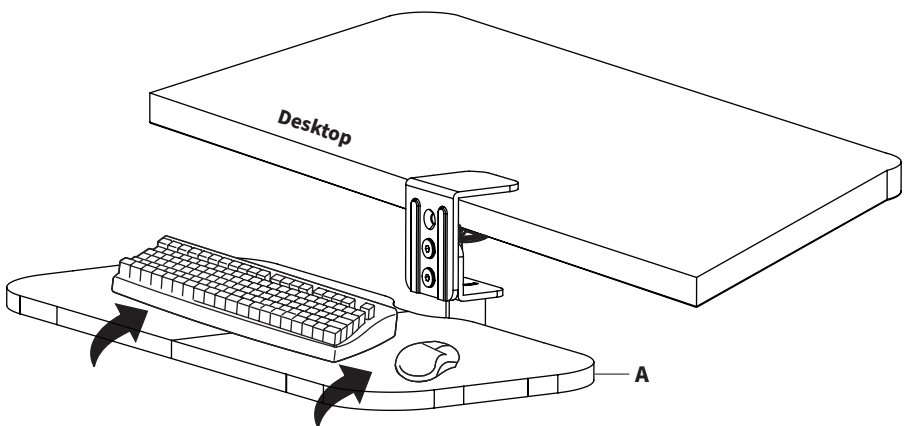


STEP 5

Adjust as desired.



Place your accessories onto the Keyboard Tray (A).





Need Help? Get In Touch

Monday-Friday from 7:00am-7:00pm CST



help@vivo-us.com



www.vivo-us.com

Chat live with an agent!



309-278-5303



VIVO-us @vivo_us

FOR MORE GREAT VIVO PRODUCTS,
CHECK OUT OUR WEBSITE AT: WWW.VIVO-US.COM