



Kitchen&Dining Chair Series

ASSEMBLY INSTRUCTION MANUAL

01

“Lifestyle is the ultimate form of design”.

Thanks for purchasing our “Kitchen&Dining Chairs”.

WARNING:

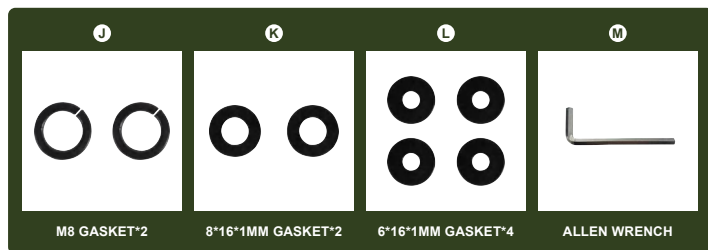
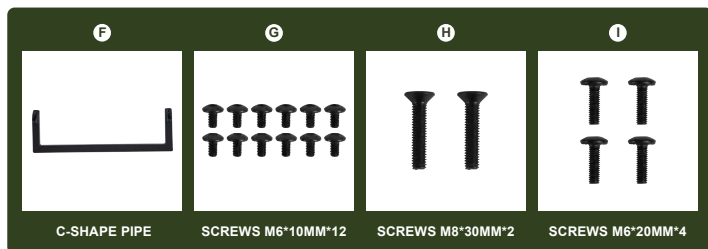
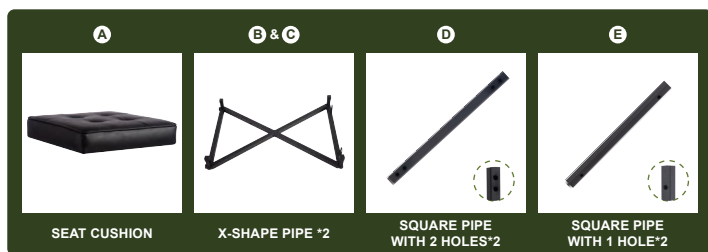
- Read and understand all instructions. Failure to follow all instructions listed below, may result product damaged.
- Before assembly, check all components in package. Make sure you have all hard-wares for operation.
- Please keep your personal property away during the installation to avoid any damage.

SAVE THESE INSTRUCTIONS FOR FUTURE REFERENCE.



02

Each package contains **TWO** bar stools. The following display shows the components for **ONE** bar stool.

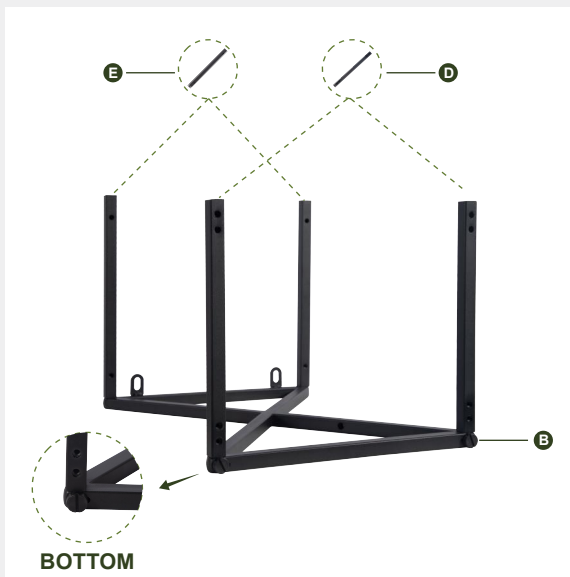


CUSTOMER SERVICE INFO

If you have any product related problems during your assembly or use,
we will provide faithful solutions for you.

03

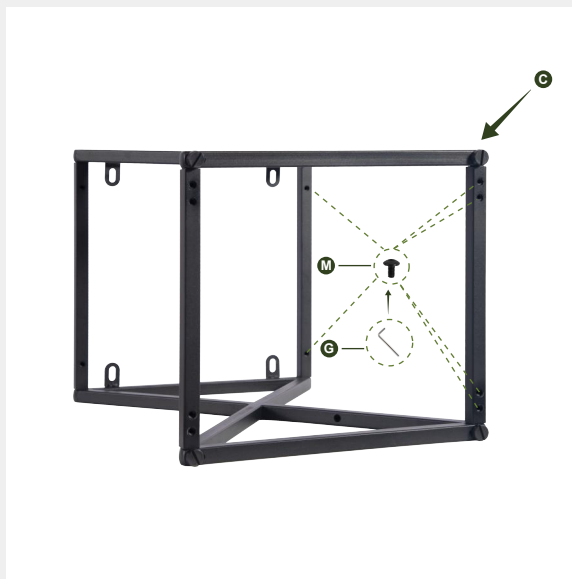
STEP 1:



PUT THE X-SHAPE SUPPORT (B) ON THE FLOOR AND ATTACH THE 4 SQUARE PIPES ($D \times 2 + E \times 2$) TO THE SUPPORT (B). THE PIPES WITH 2 HOLES ON EACH SIDE ARE AT THE BOTTOM.

04

STEP 2:



PUT THE OTHER X-SHAPE SUPPORT (C) ONTO THE PIPES AND THEN CONNECT THEM WITH 12 SCREWS M6*10MM (G)

PLEASE NOTE: **DO NOT** TIGHTEN ALL SCREWS IN STEP 1 AND STEP 2 FOR ADJUSTMENT.

05

STEP 3:



PUT C-SHAPE PIPE (F) IN PARALLEL WITH D/E, AND FIX IT WITH THE 2 SCREWS M8*30MM (H) AND THE 4 GASKETS (K&J). NOTE THAT BEFORE FIXING, FOLLOW THE SEQUENCE OF K-J-H, AS SHOWN IN THE PICTURE.

***NOW PLEASE DON'T FORGET TO TIGHTEN ALL THE SCREWS.**

06

STEP 4:



FLIP OVER THE LEGS AND SEAT CUSHION (A) FOR CONNECTION.
USE 4 SCREWS M6*20MM (L) WITH THE 4 GASKETS (L) TO
CONNECT THE TWO PARTS.

FASTEN ALL SCREWS FOR STABLE SEATING EXPERIENCE!
YOU ARE ALL SET!