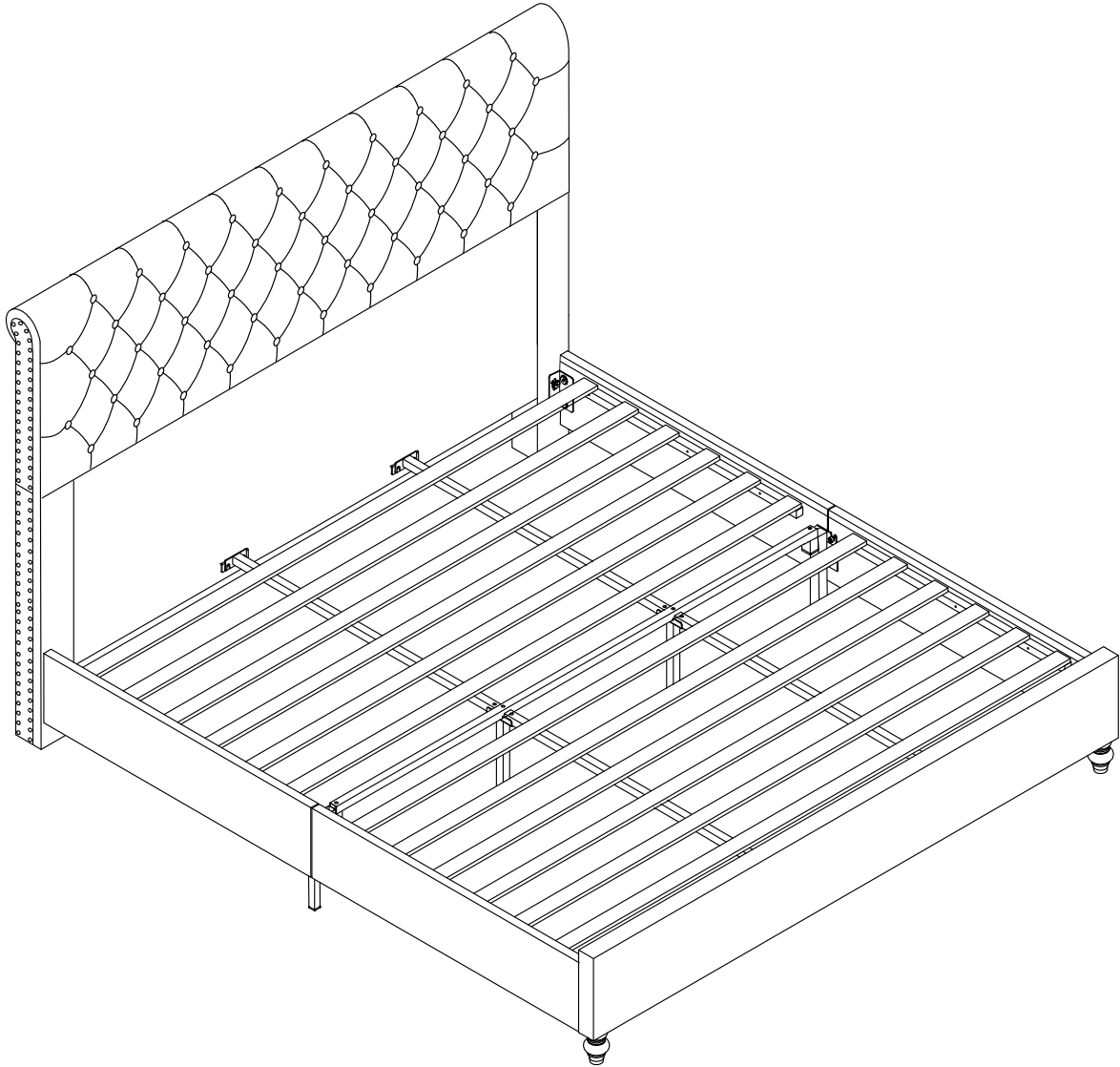


Assembly Instruction

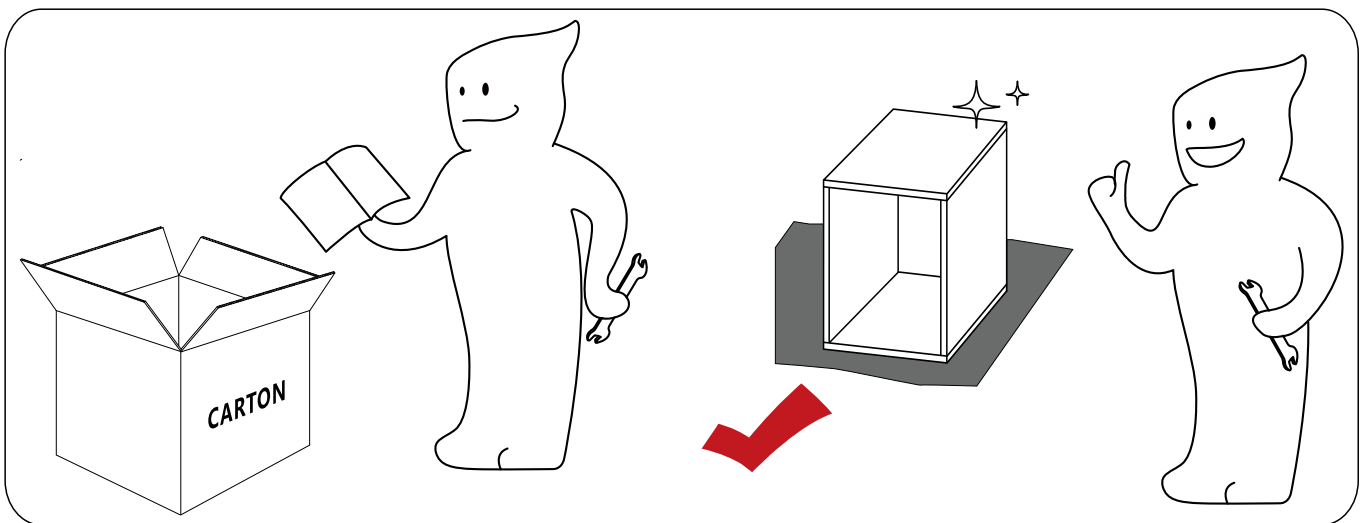
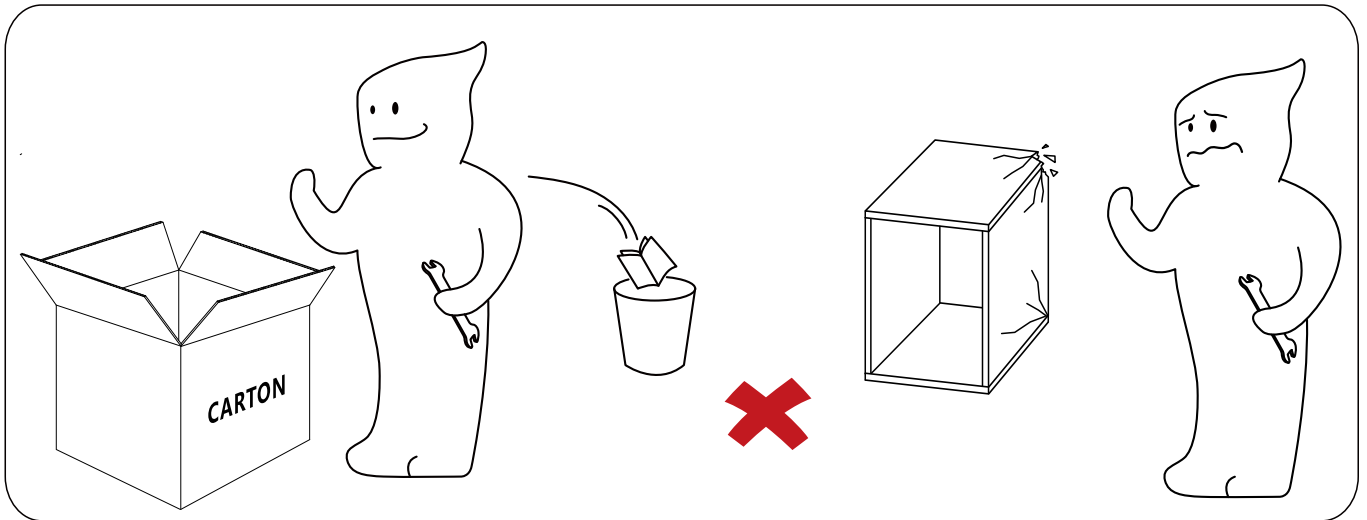


Please check that you have all the parts listed before you start assembling,if you do find that something is missing,do not continue assembly,please contact us immediately.

NOTE:Please do not completely tighten all the hardware until the entire assembly is complete!

! IMPORTANT

Please follow the instruction manuals and use a pad to protect the product during your assembly.

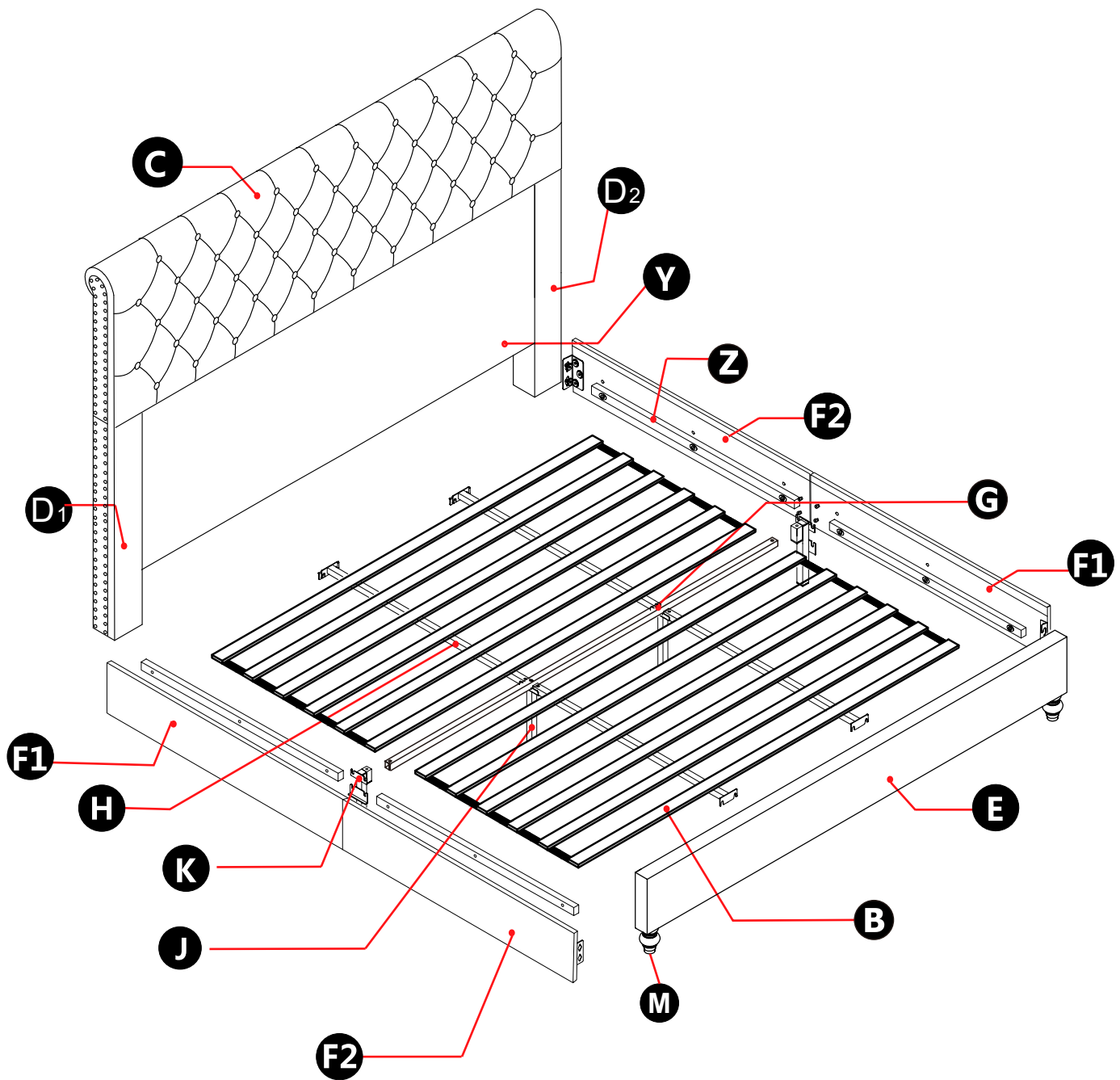


Note:

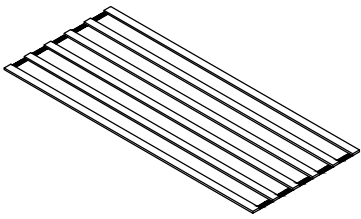
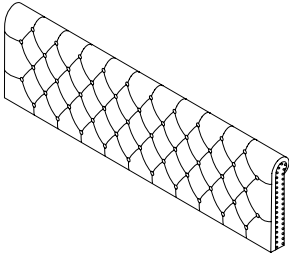

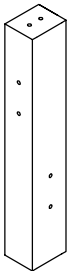
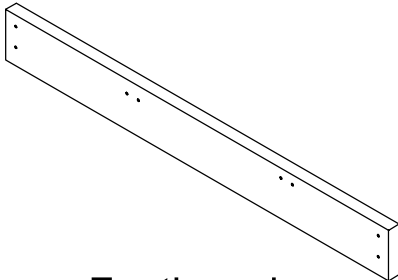
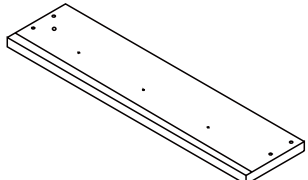
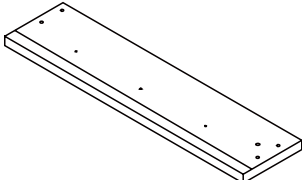
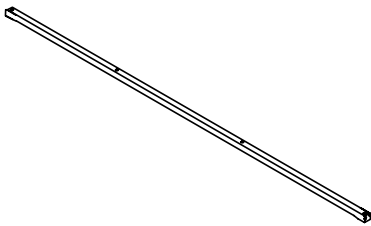
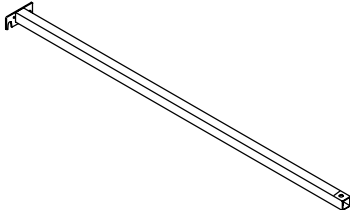
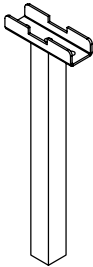
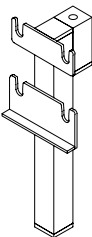
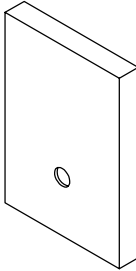
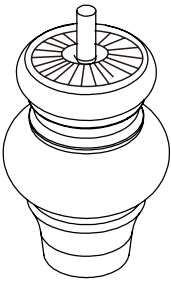
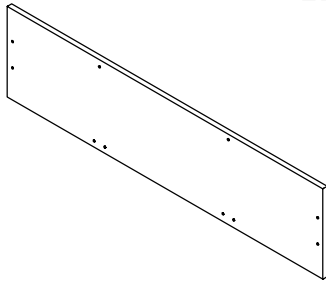
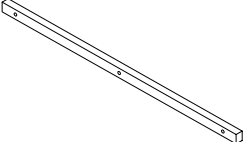
1. Should be assembled on flat ground to keep balance.
2. Before completing the installation, do not tighten the screws.



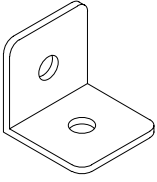
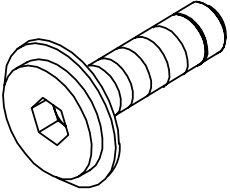
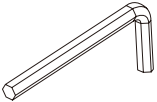
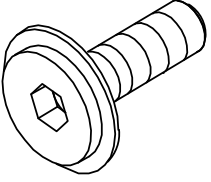
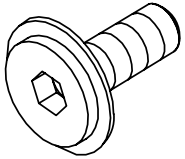
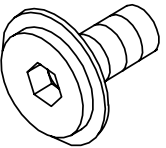
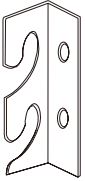
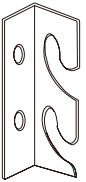
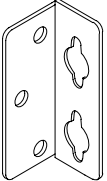
For easier and better assembly, **2** or more adults are required.



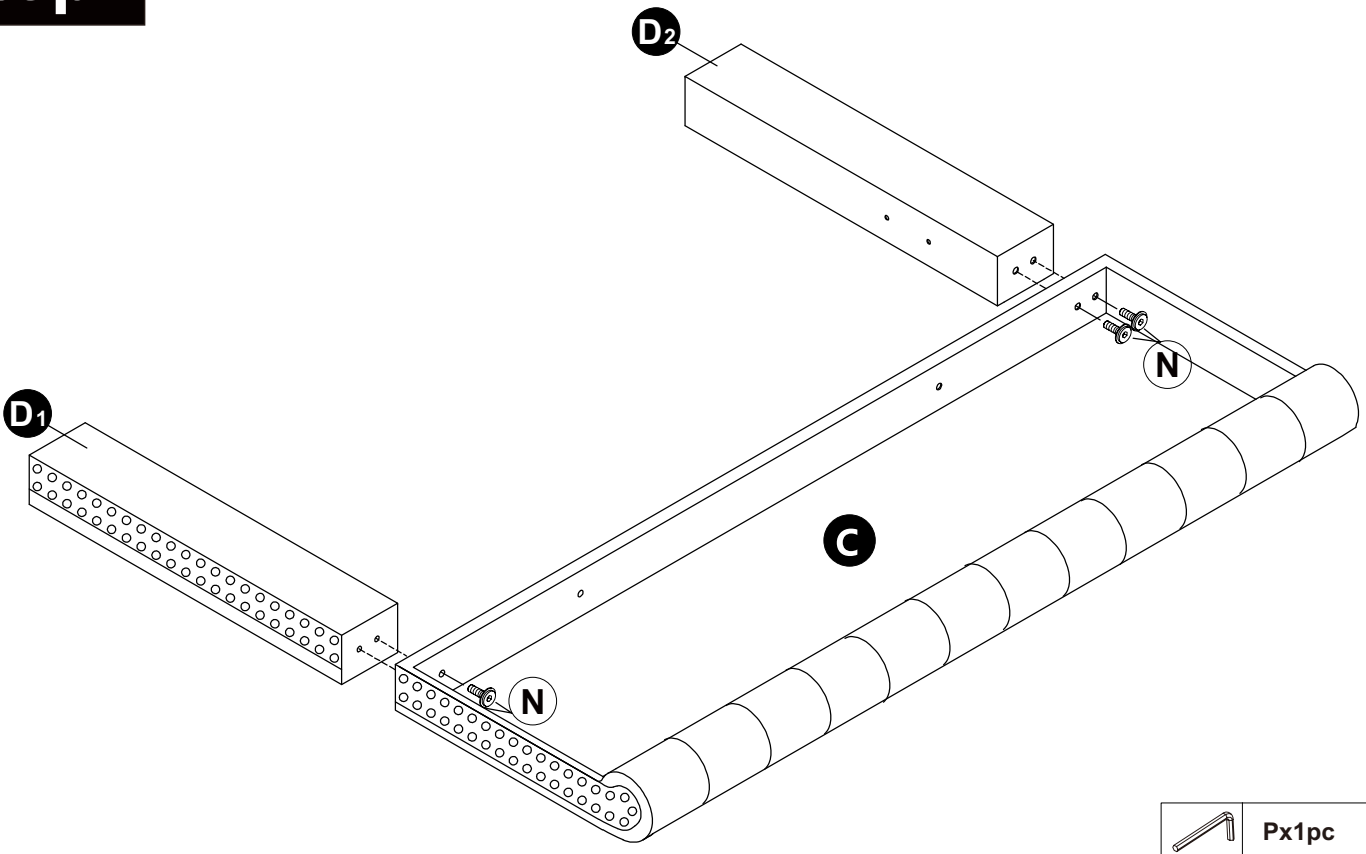
BED FRAME PARTS LIST



B  Slat 2PCS	C  Top headboard 1PC	D1  Left Leg 1PC
D2  Right Leg 1PC	E  Footboard 1PC	F1  side rail 2PCS
F2  side rail 2PCS	G  Cross bar 1PC	H  Middle support bar 4PCS
J  Support leg 2PCS	K  Support leg 2PCS	L  Support block 2PCS
M  Leg 2PCS	Y  Bottom headboard 1PC	Z  side bar 4PCS

FITTING PART LIST

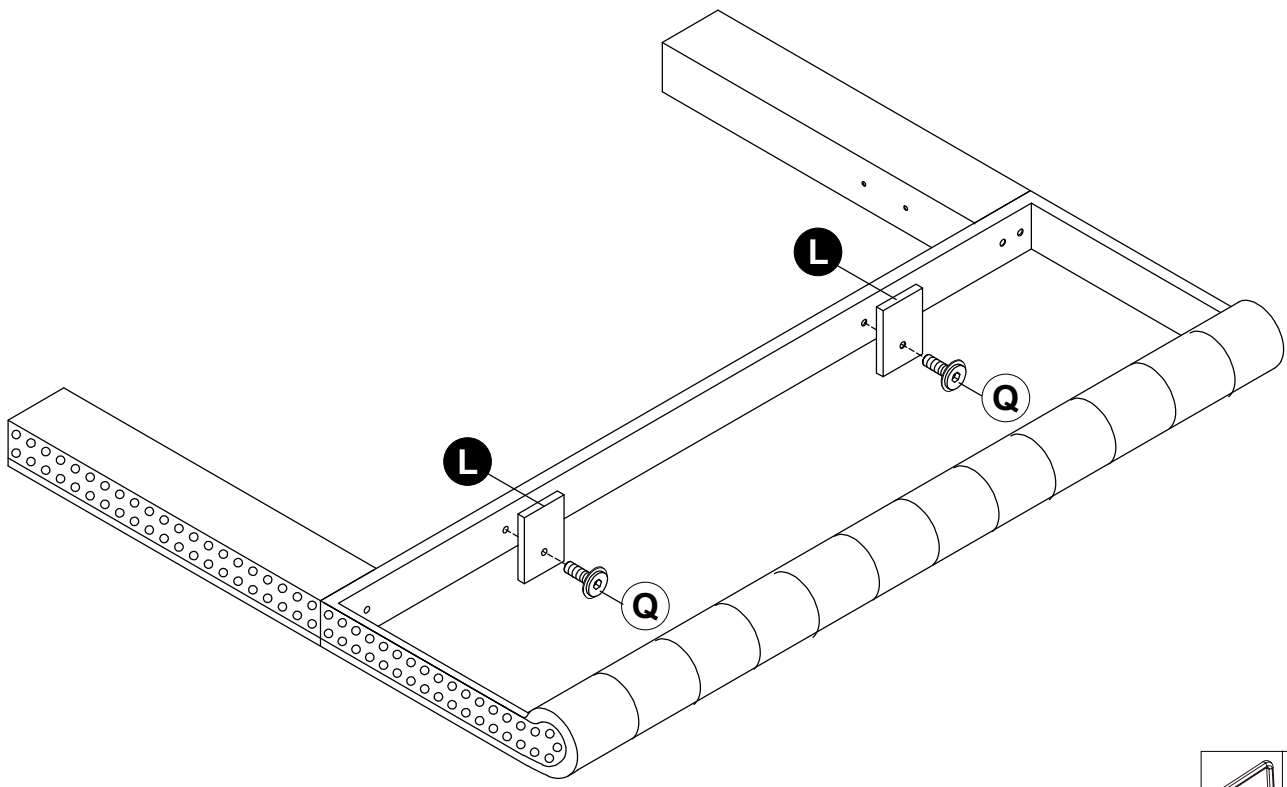
I	2PCS	N	4PCS	P	1PC	Q	26PCS
							
Connector		M8*45		M6		M8*35	
R	24PCS	S	20PCS	X₁	1PC	X₂	1PC
							
M8*25		M8*18		Connector		Connector	
X	4PCS						
							
Connector							



step1



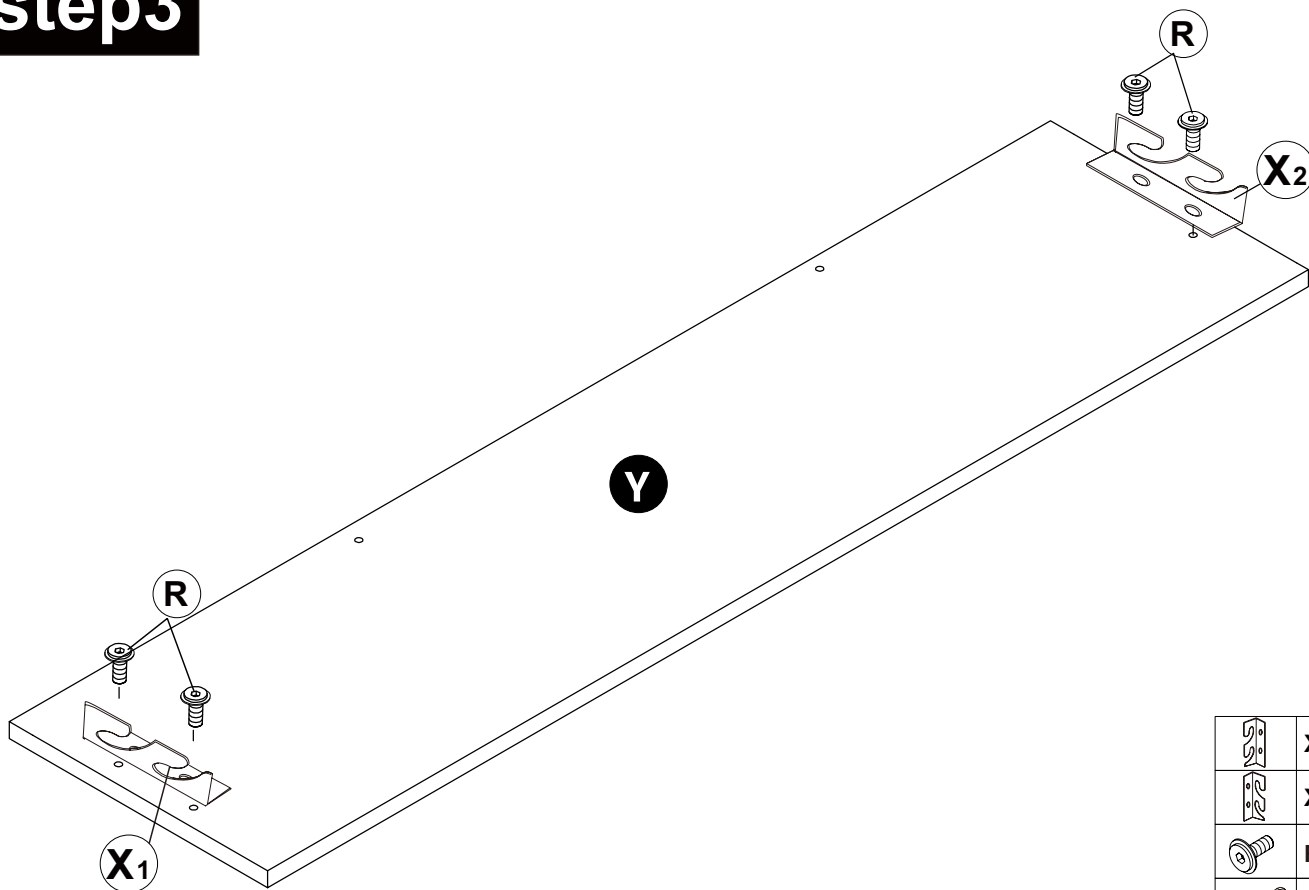
	Px1pc
	N x 4pcs





step2



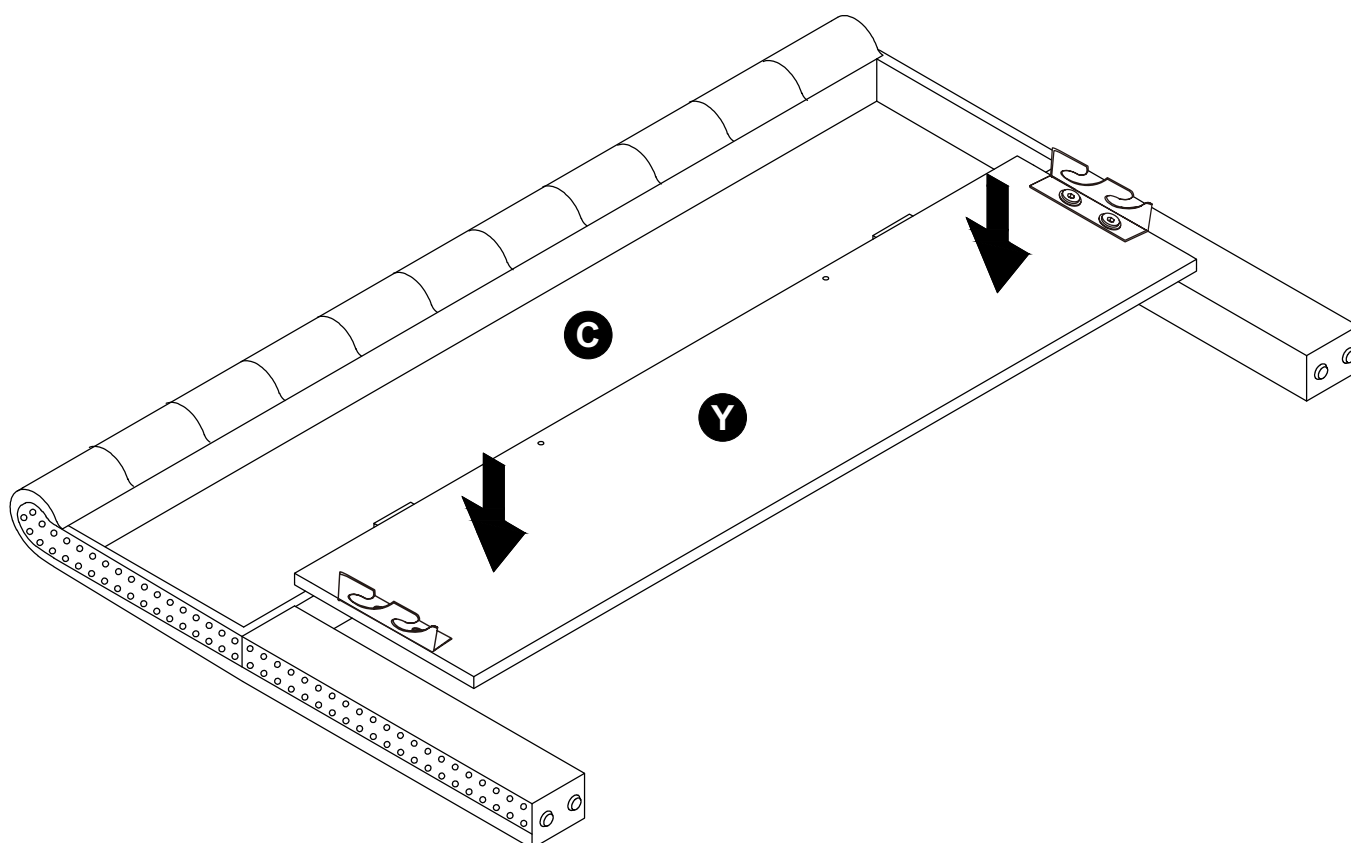
	Px1pc
	Q x 4pcs

step3

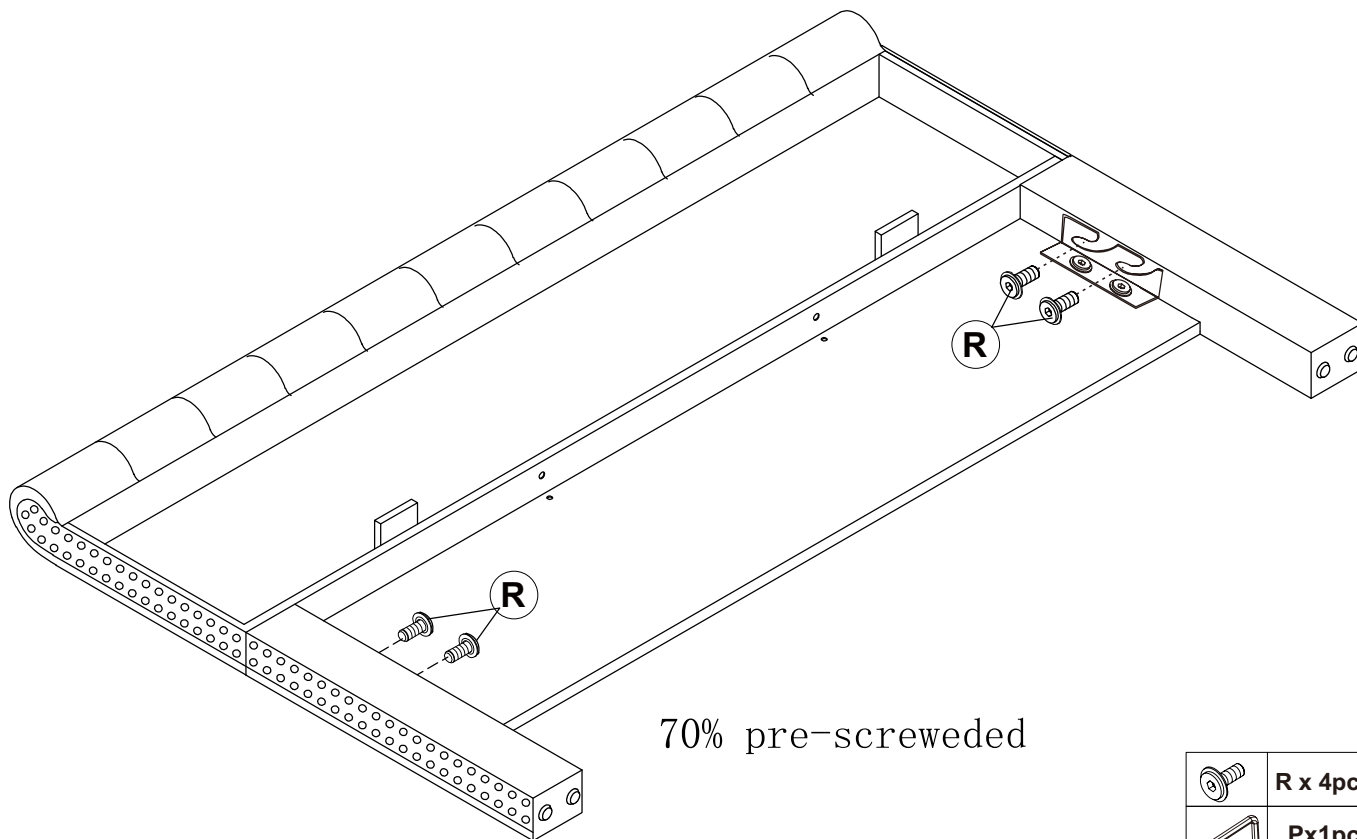


	X ₁ x 1pcs
	X ₂ x 1pcs
	R x 4pcs
	P x 1pc

step4

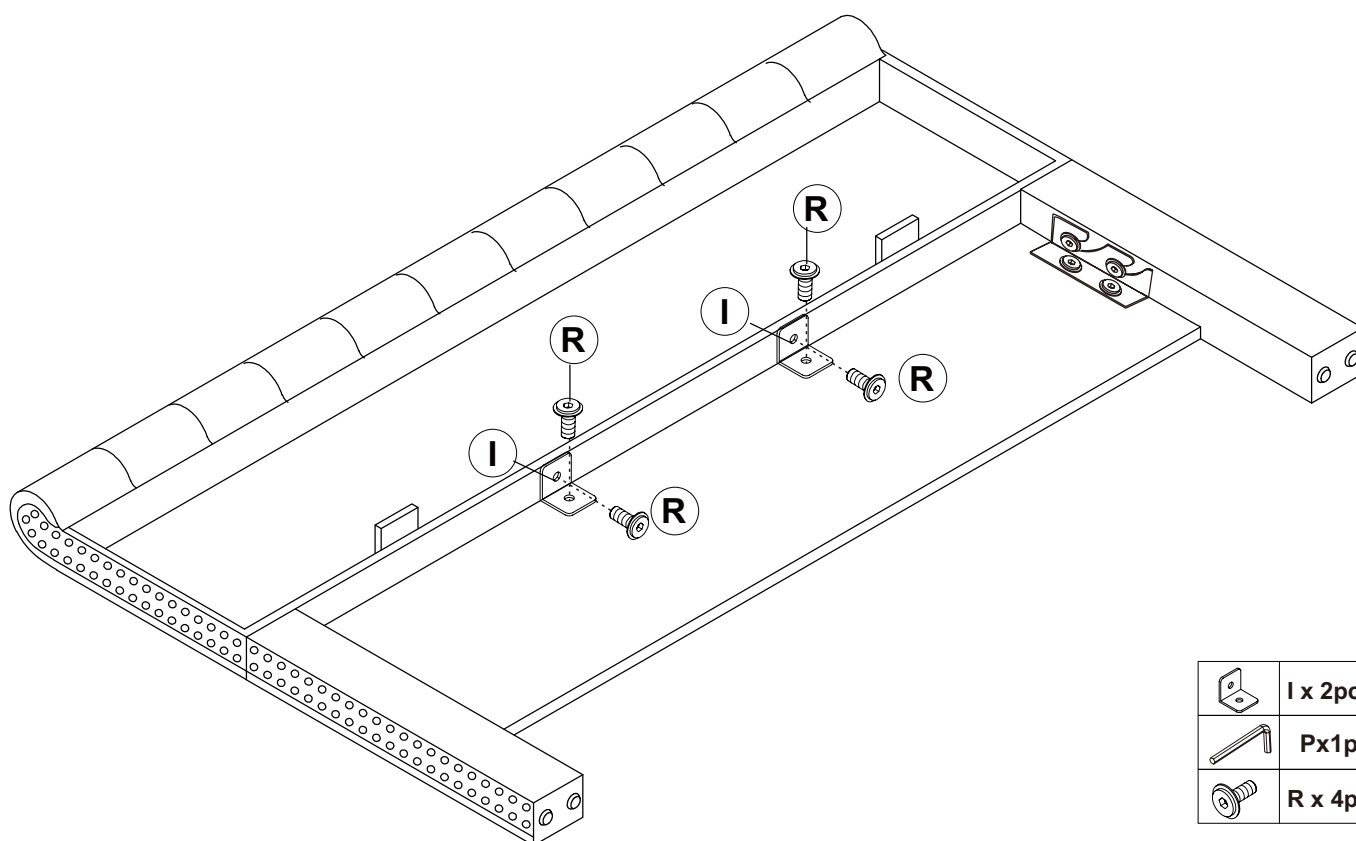


step5

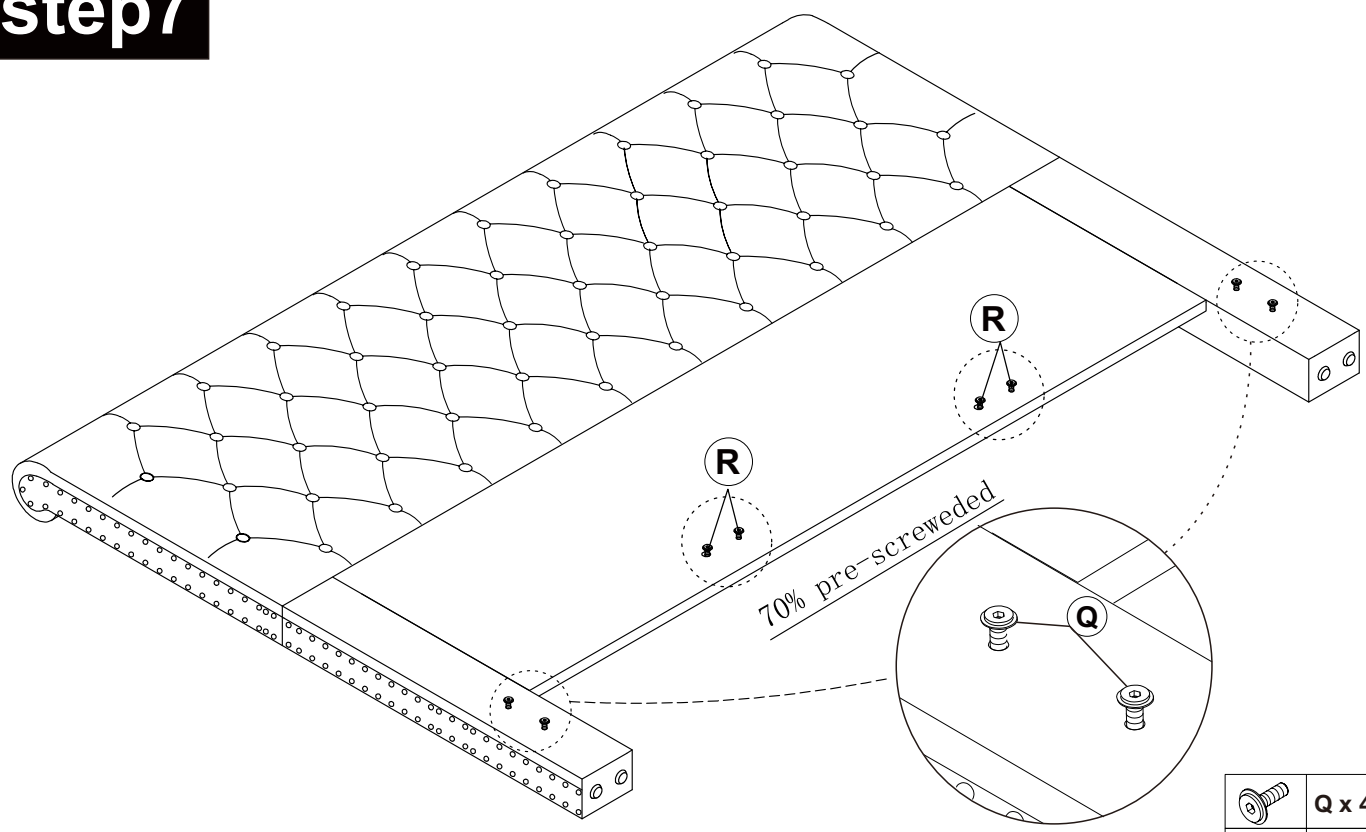


step6

During the assembly, please first half-tighten all the screws into the holes. After all the screws are set, fully tighten them.

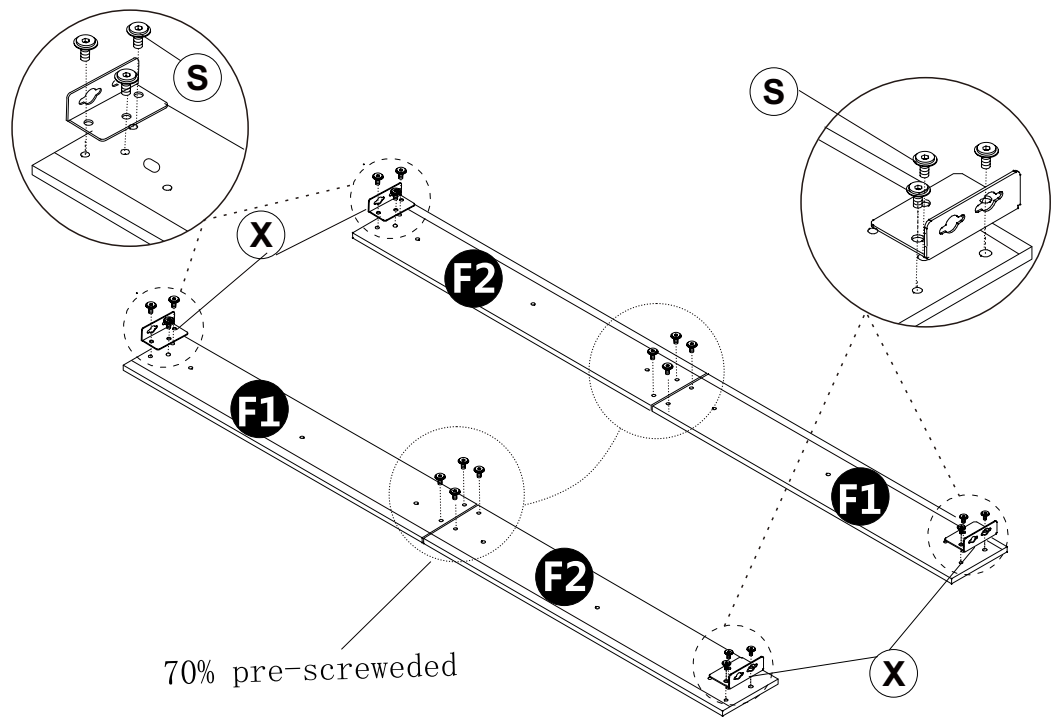


step7



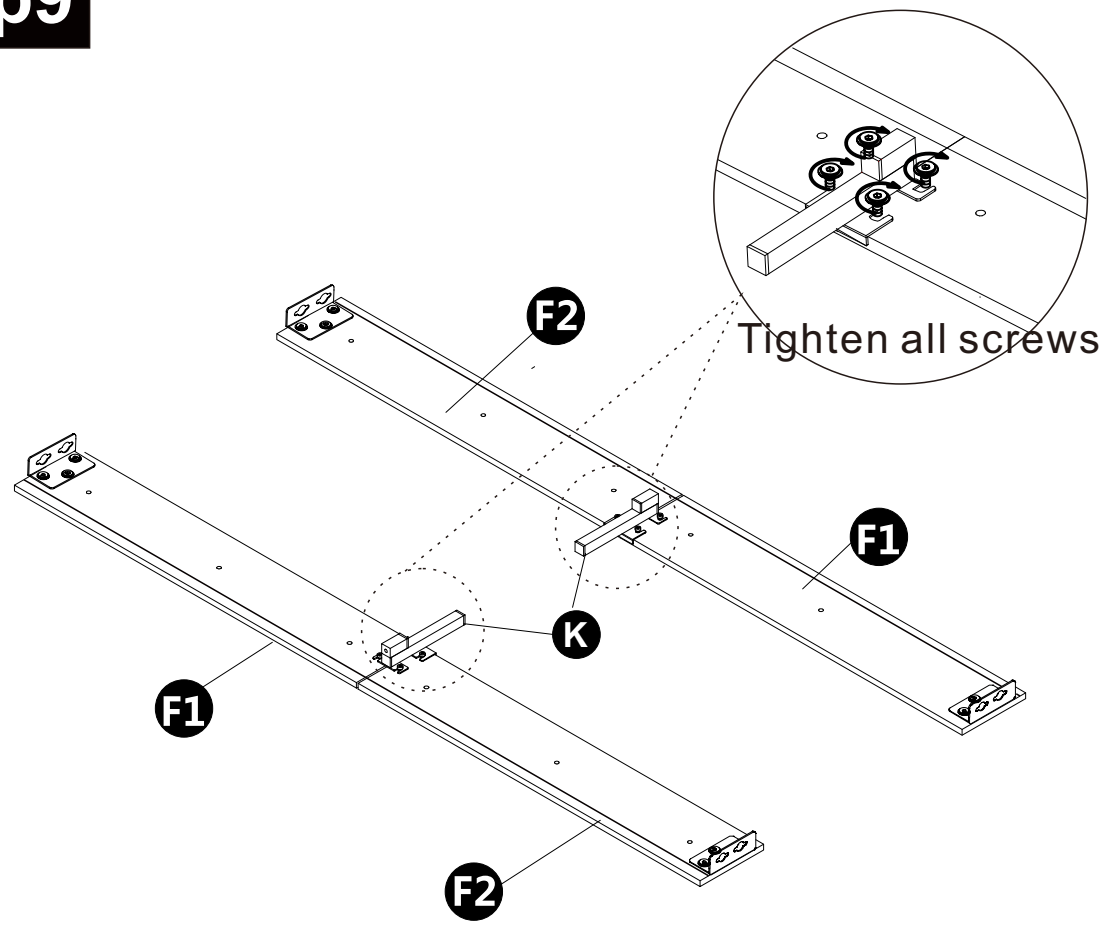
	Q x 4pcs
	R x 4pcs
	Px1pc

step8

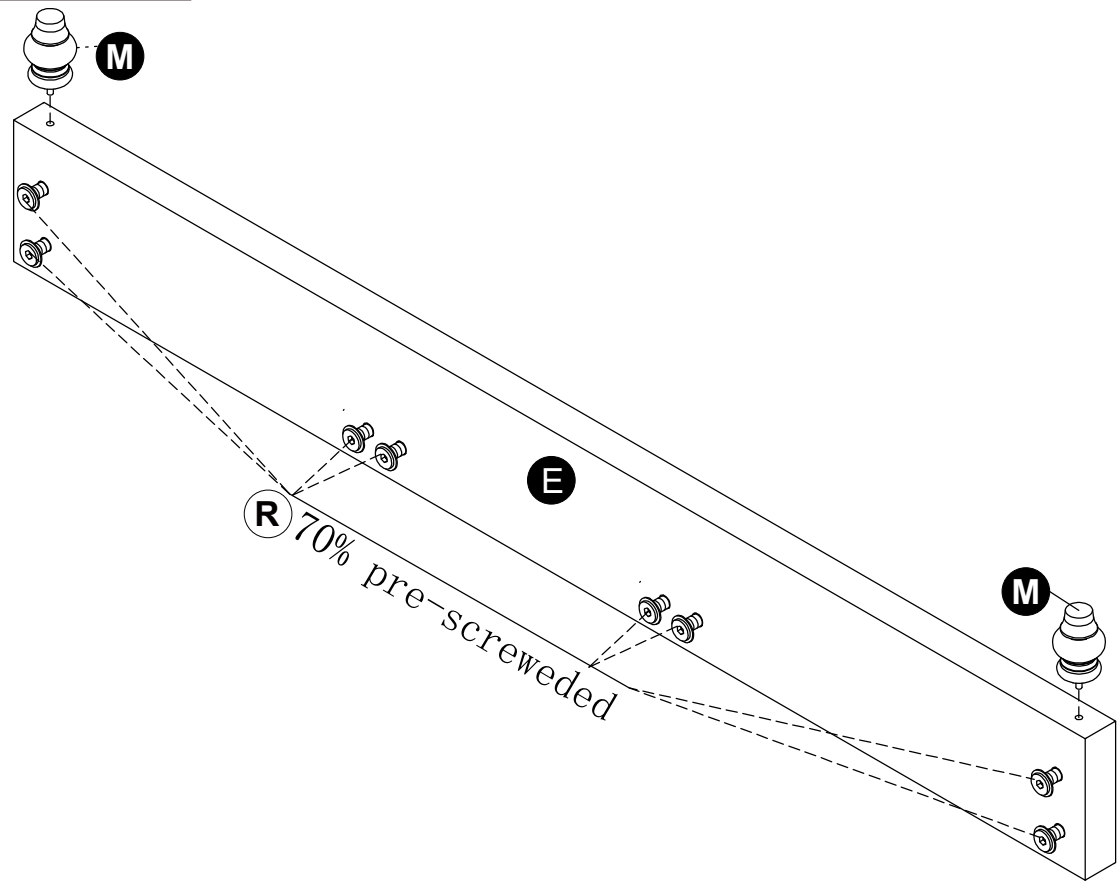



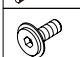
	X x 4pcs
	Px1pc
	S x 20pcs

step9

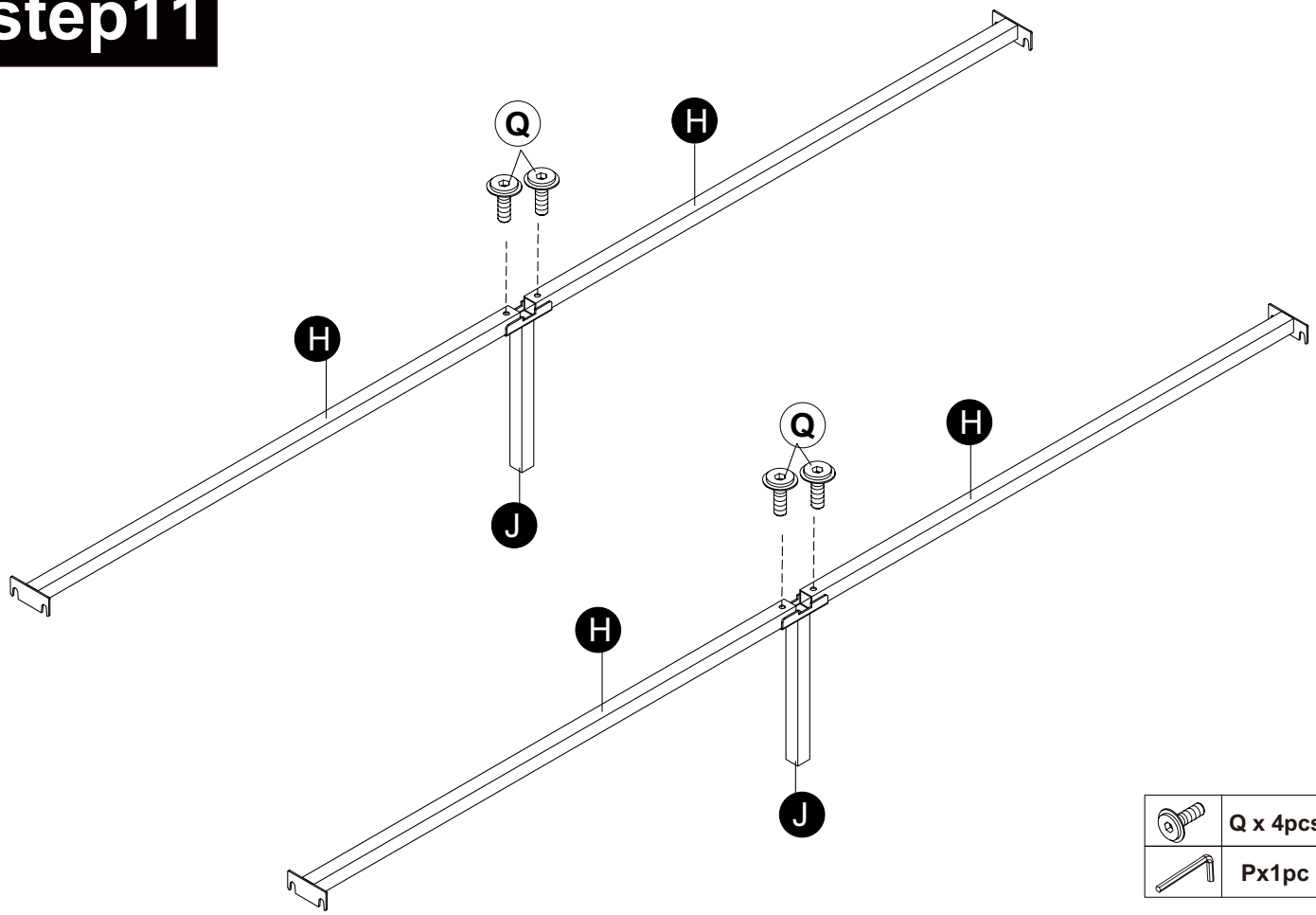


step10



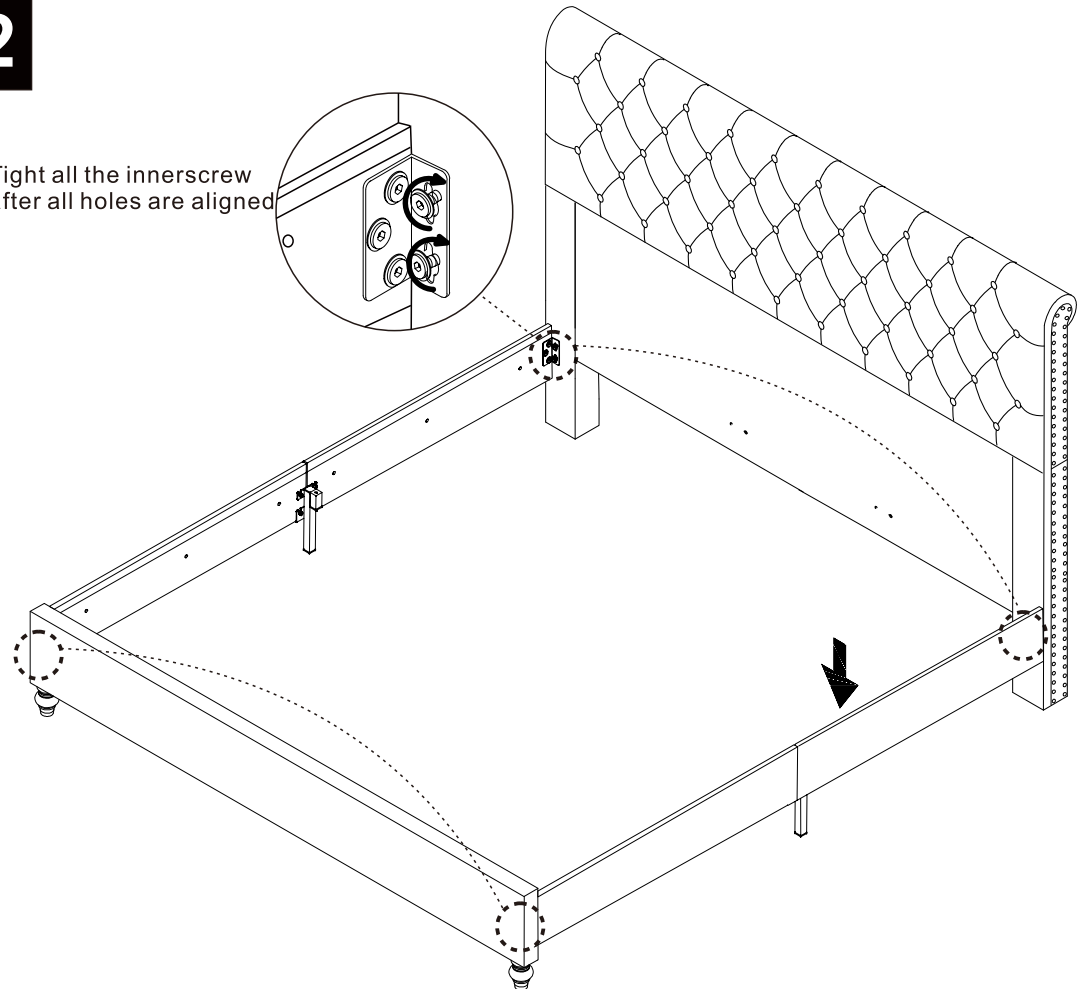
	Px1pc
	R x 8pcs

step11

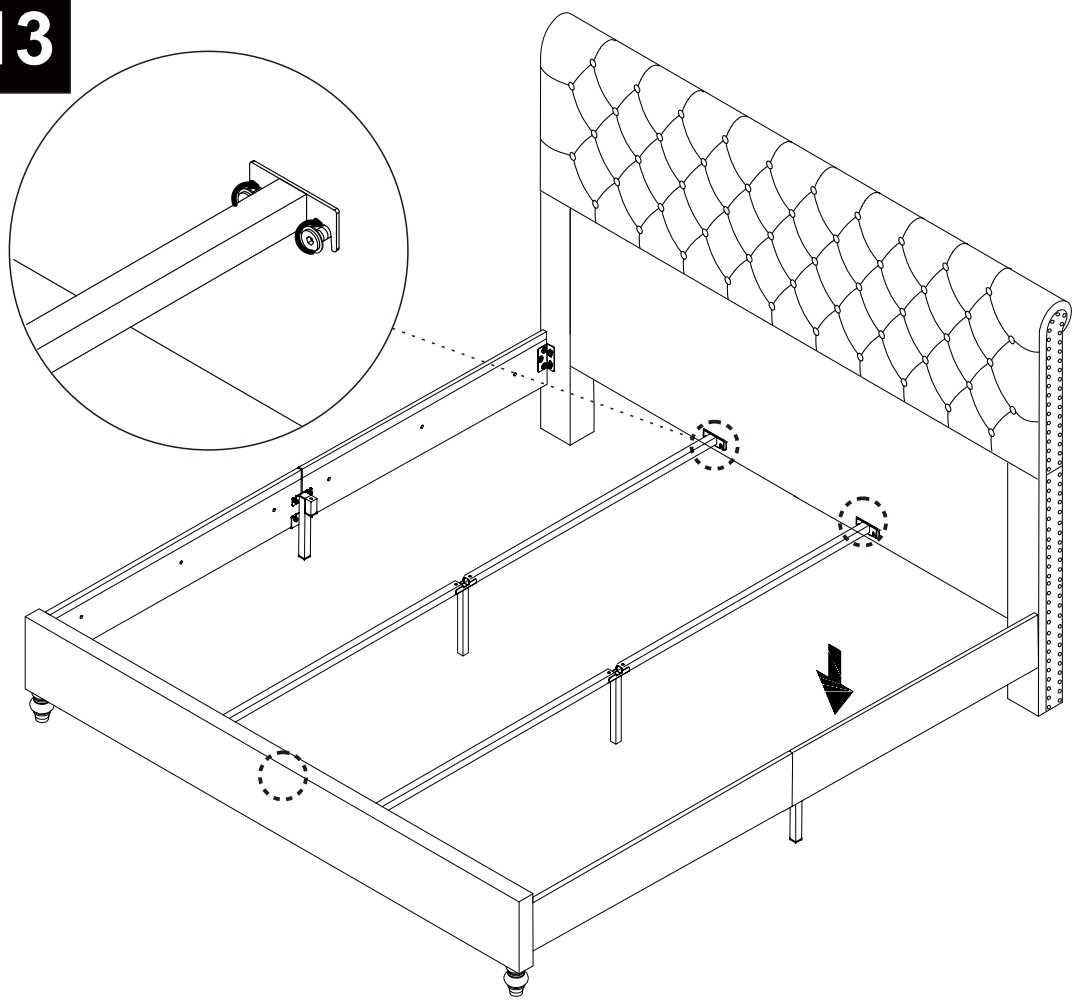


step12

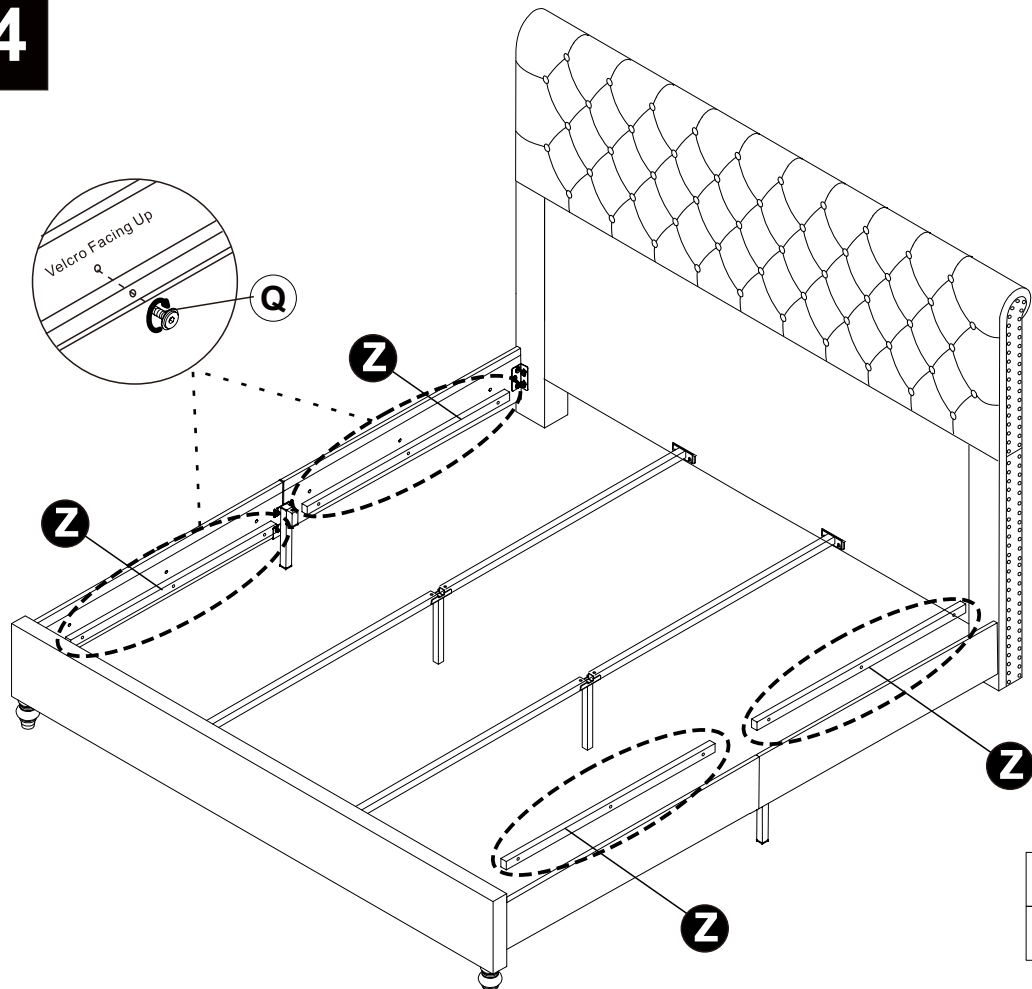
Tight all the innerscrew after all holes are aligned



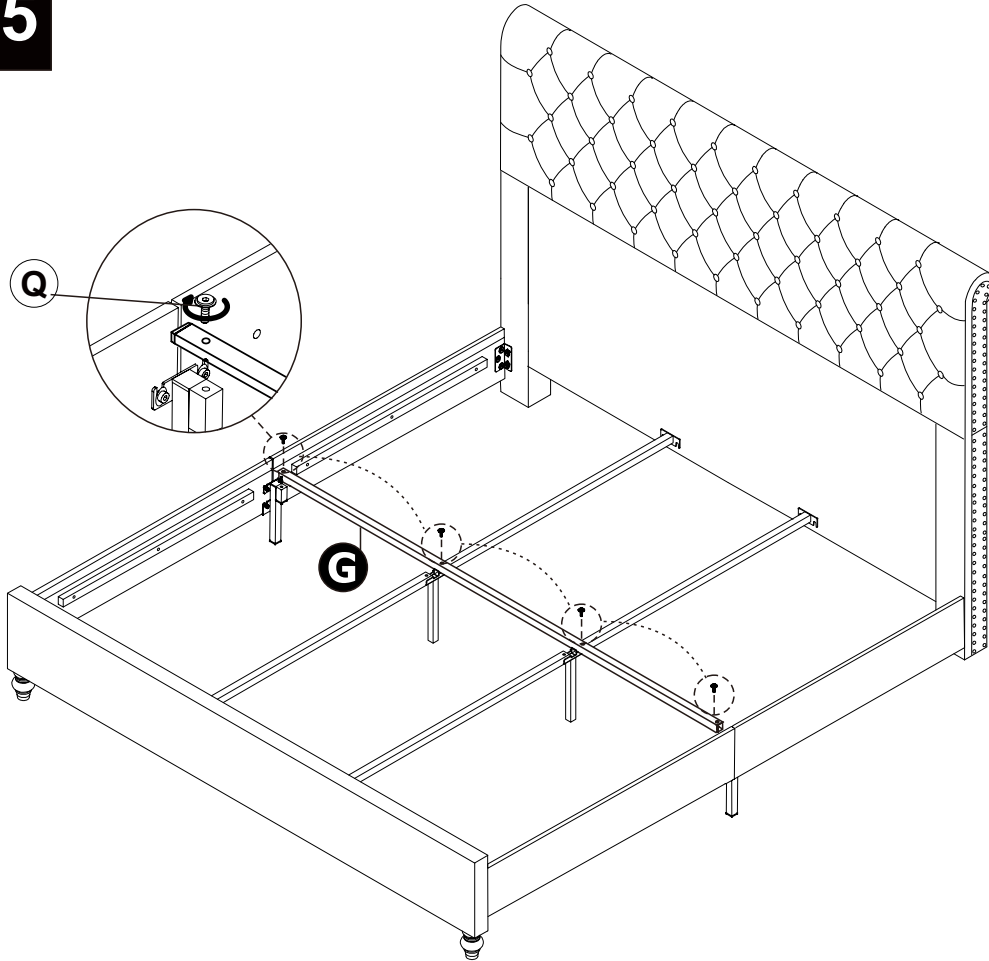
step13





step14

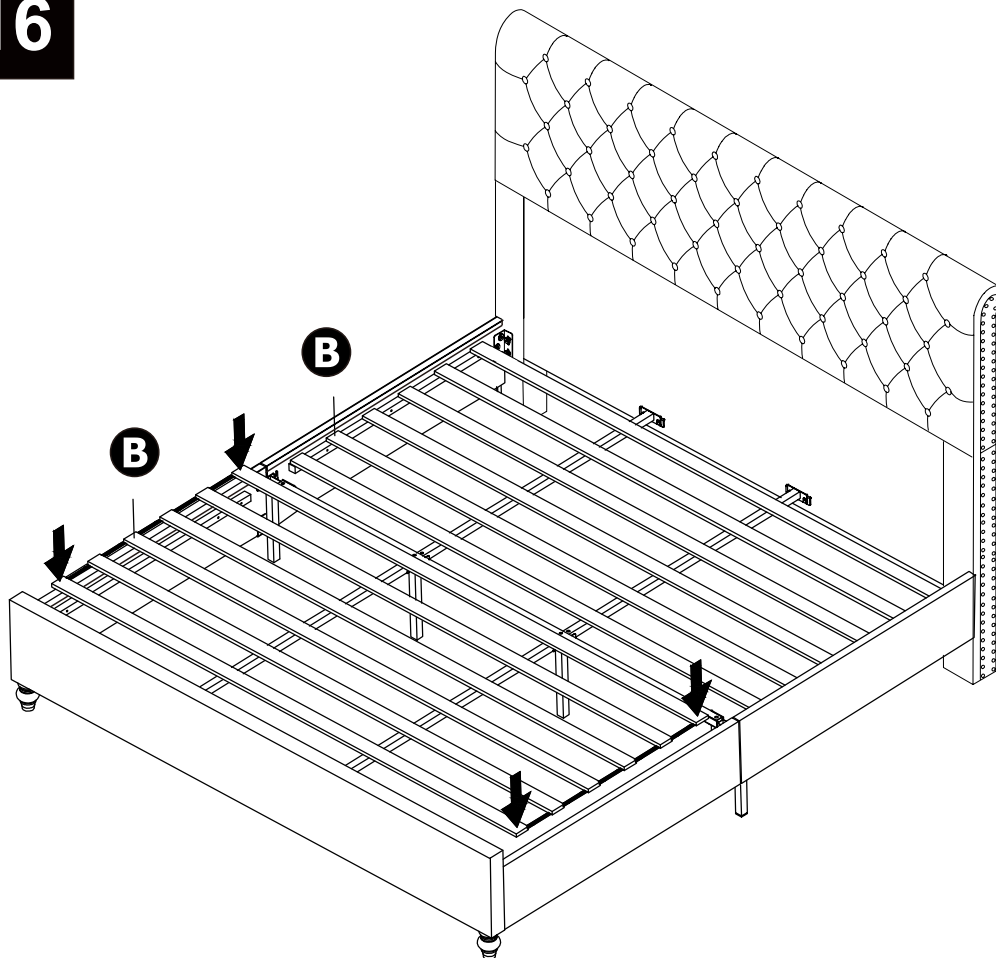


step15

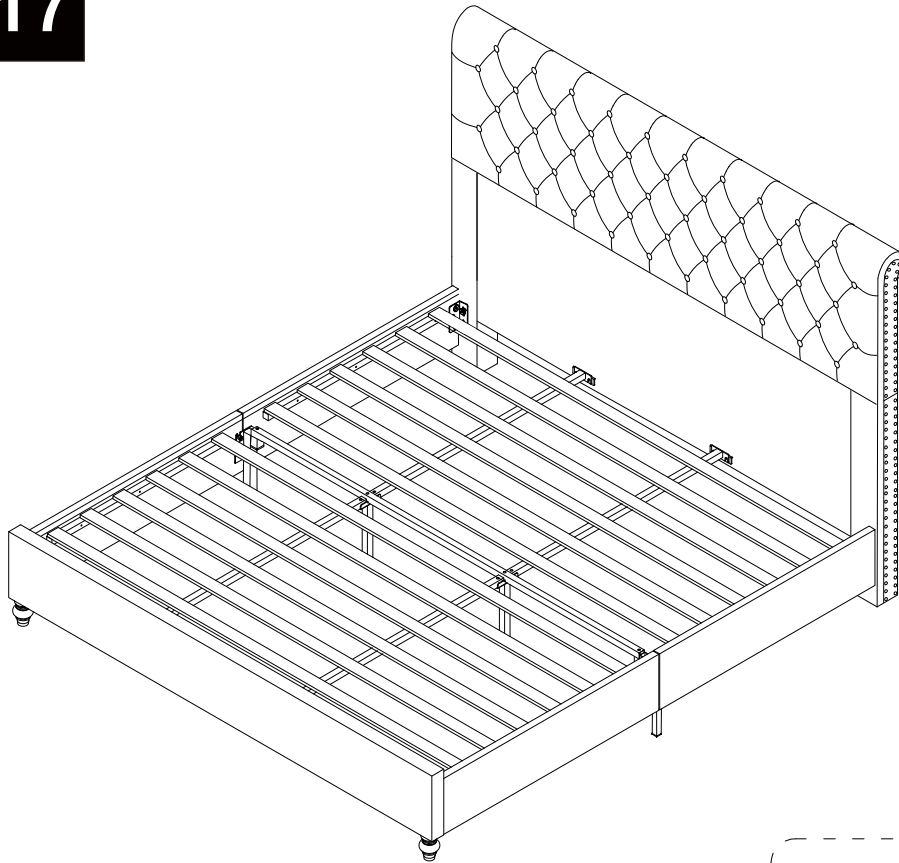


	Q x 4pcs
	Px1pc

step16



step17



Installation Complete