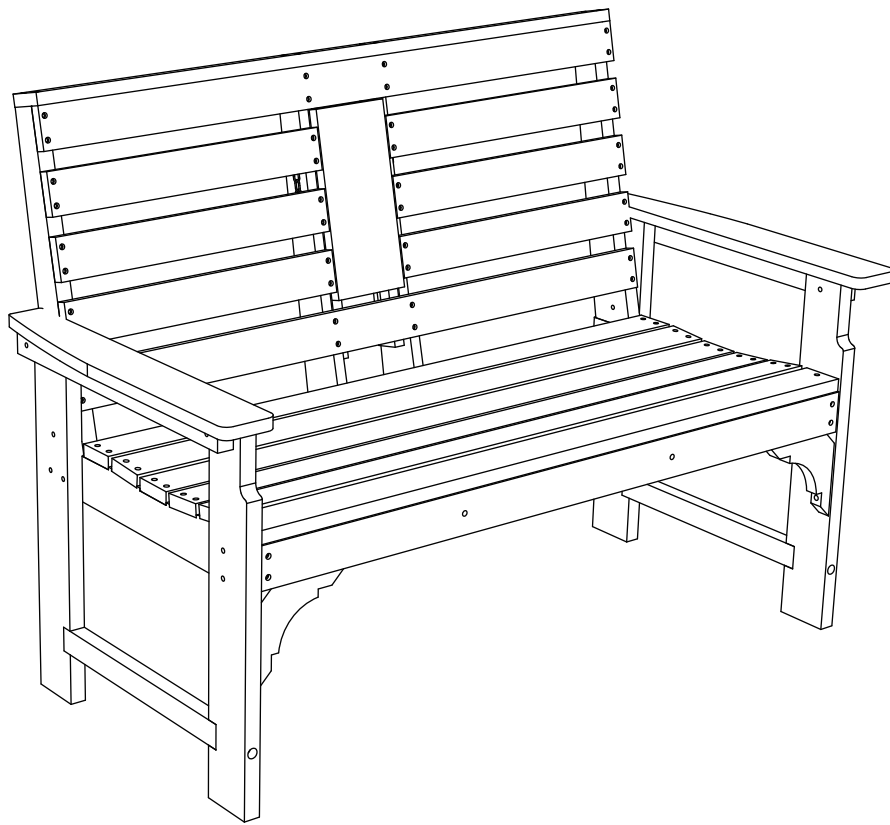
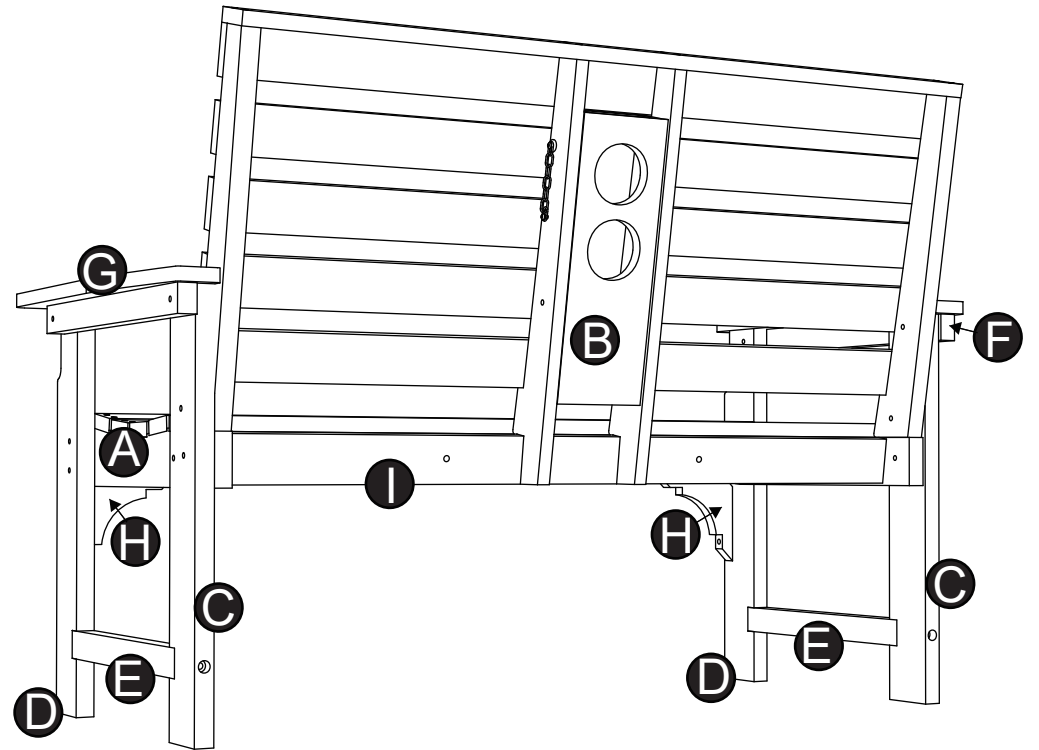


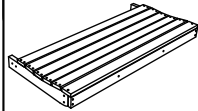
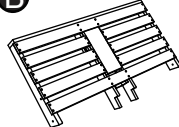
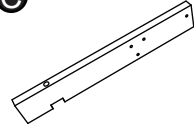
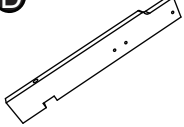
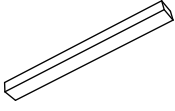
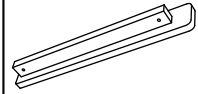
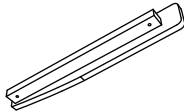
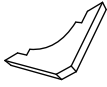
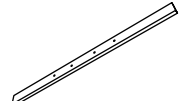
INSTRUCTION MANUAL




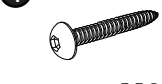



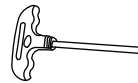
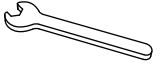


OUTDOOR BENCH

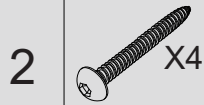
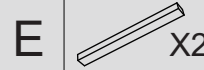
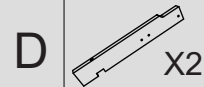
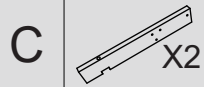
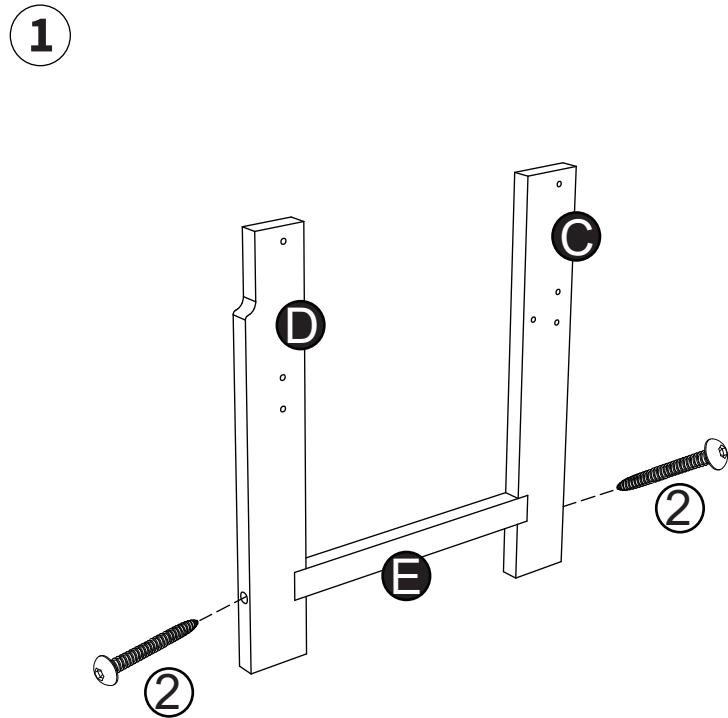


List of Accessories

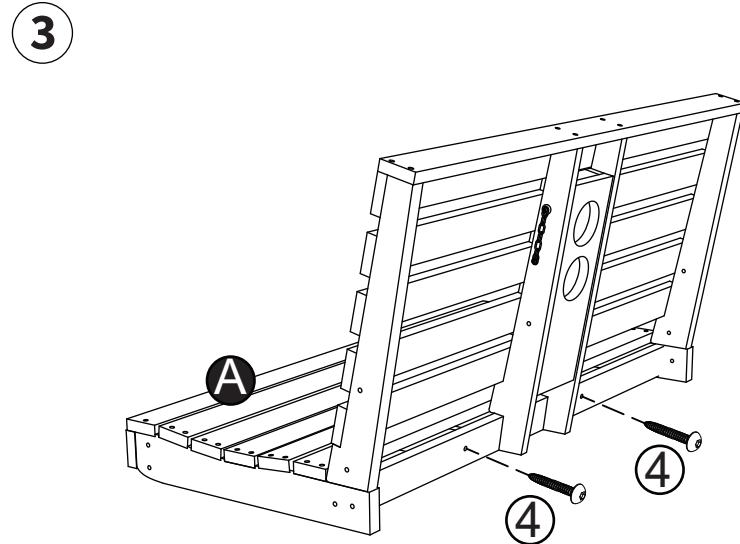
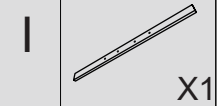
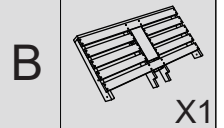
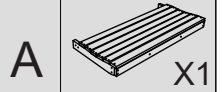
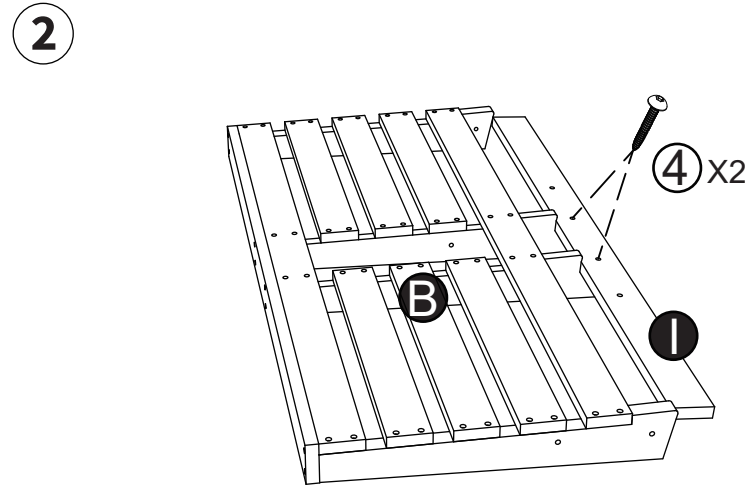
A 	B 	C 	D 	E 
1 PC	1 PC	2 PCS	2 PCS	2 PCS
F 	G 	H 	I 	
1 PC	1 PC	2 PCS	1 PC	

1  M6*90	2  M6*80	3  M6*60	4  M6*50	5  M6*40
2 PCS	6 PCS	10 PCS	4 PCS	4 PCS
6 	7 	8 	9 	
12 PCS	12 PCS	1 PC	1 PC	

Step 1: Connect front leg(Part D)back leg(Part C)and rail(Part E). quantity * 2.

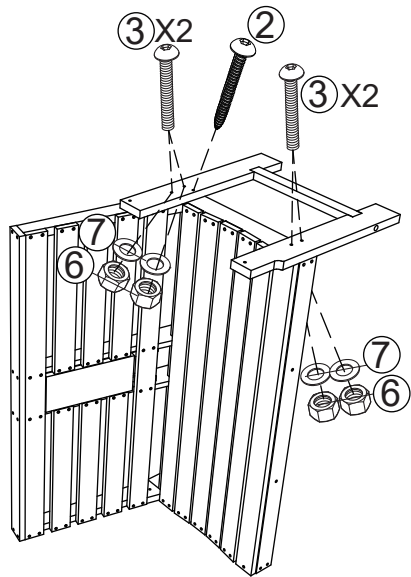


Step 2: Connect (Part I) to the backrest (Part B) .
Step 3: Connect (Part A) to the previous step.

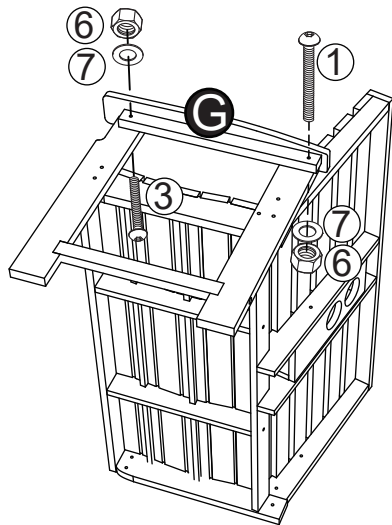



Step 4: Connect the right leg of the seat to the previous step.
Step 5: Connect the armrest (Part G).

4




5



G  X1

1  X1

2  X1

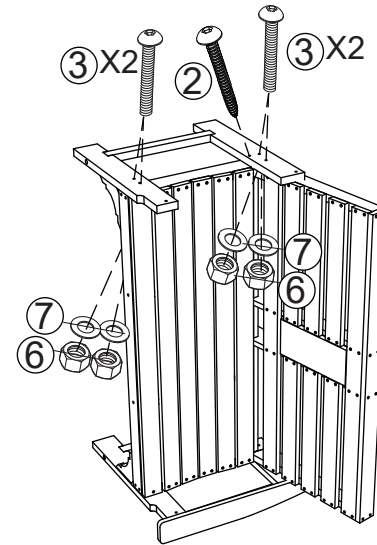
3  X5

6  X6

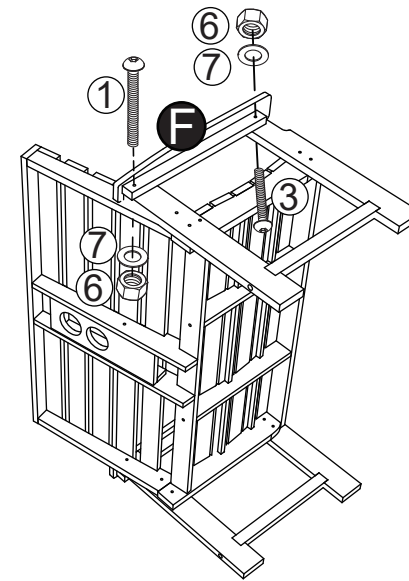
7  X6

Step 6: Connect the left leg of the seat to the previous step.
Step 7: Connect the armrest (Part F).

6



7



F  X1

1  X1

2  X1

3  X5

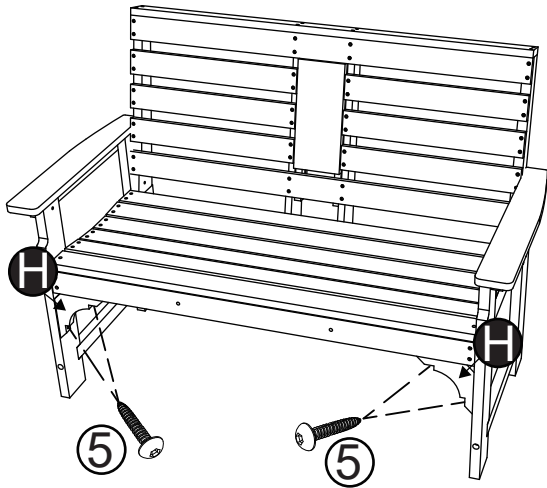
6  X6

7  X6

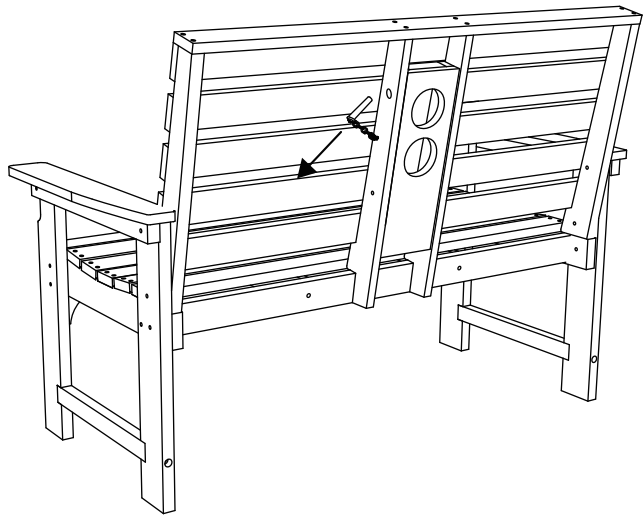
Step 8: Connect two (Part H) to the previous step,
Installation completed.

Step 9: pull out the pin.

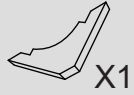
8



9



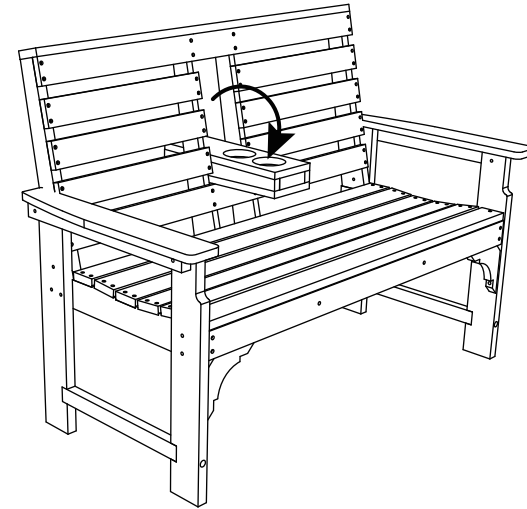
H



5



10



Missing parts, damages, and any other problems, please contact us via email.



kulamoonniki@outlook.com