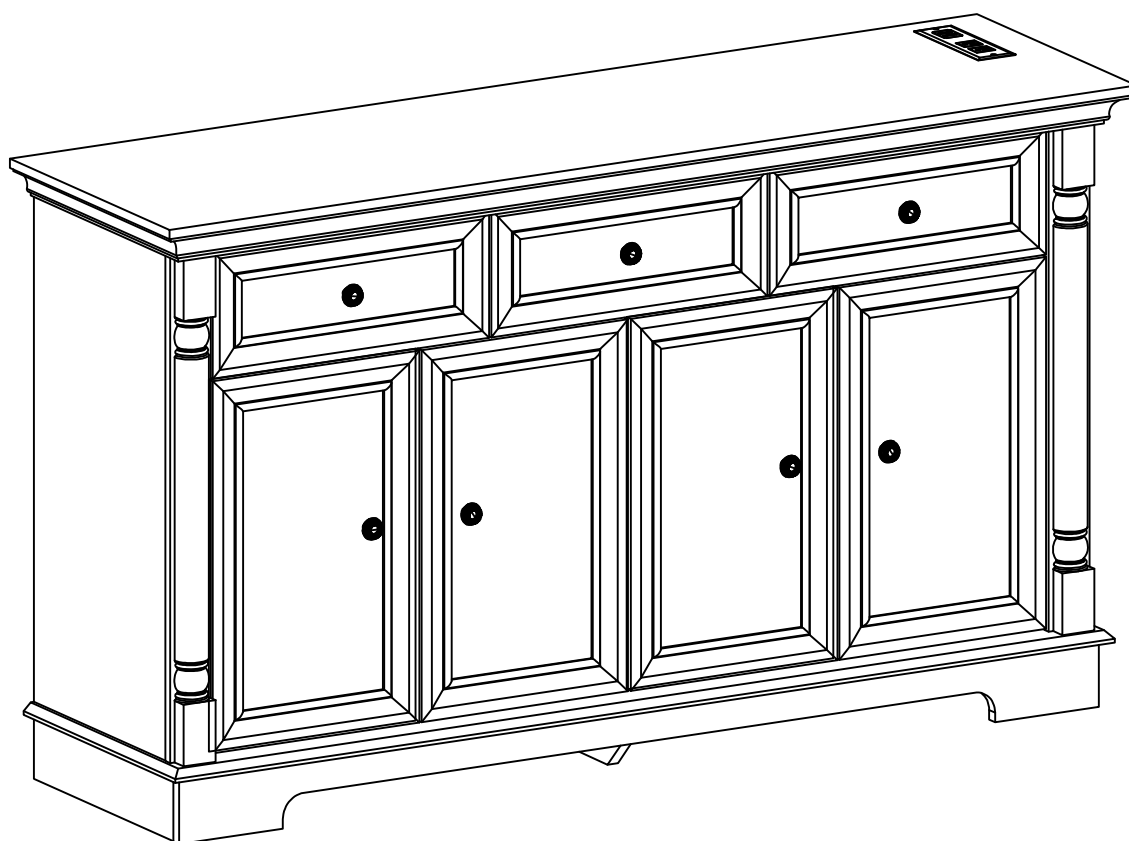
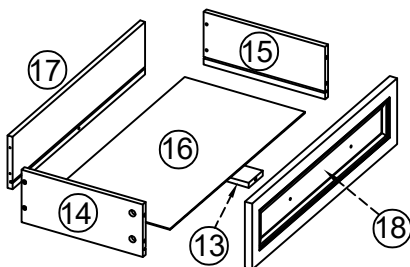
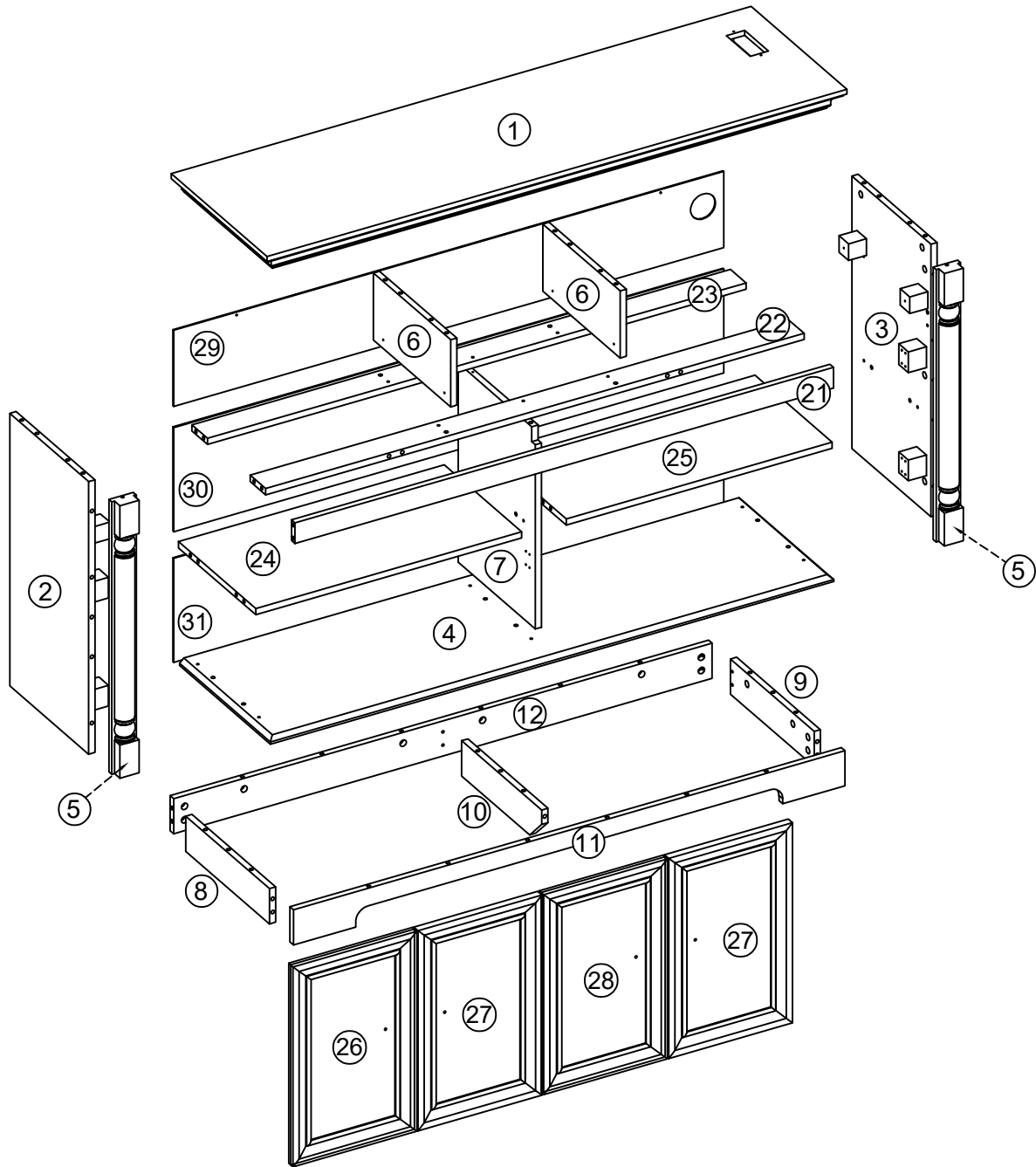


# Multifunctional storage

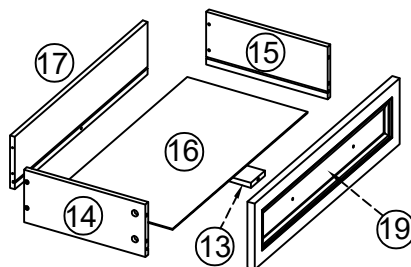
## Assembly Instructions



# Parts List

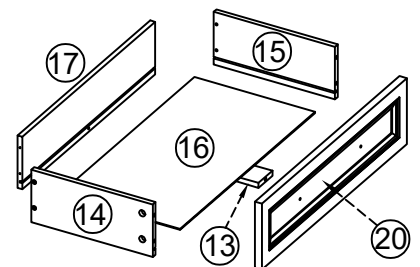


X1



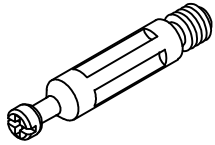
X1

1

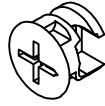


X1

# Hardware

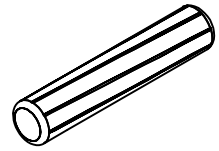


A x 69sets



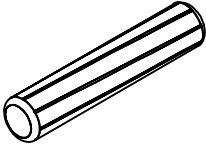
∅15X9.5MM

B x 69sets



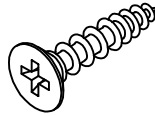
∅8 x 30MM

C x 48pcs



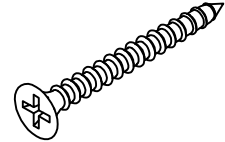
∅6 x 30MM

D x 8pcs



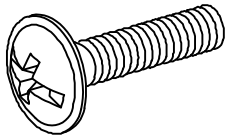
3.5 x 12MM

E x 76pcs



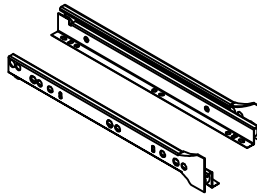
3.5 x 35MM

F x24pcs



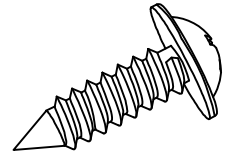
M4 x 16MM

G x 7pcs



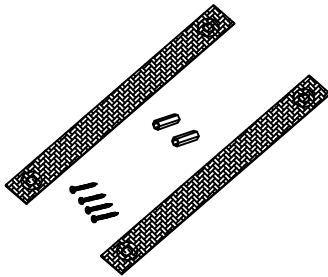
300MM

H x 3sets

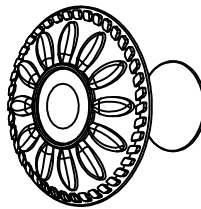


3.5 x 12MM

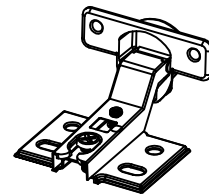
I x36pcs



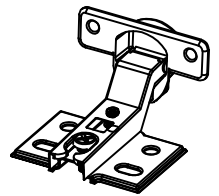
J x 1sets



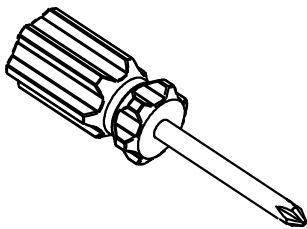
K x 7sets



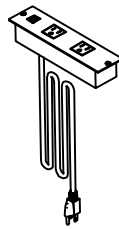
(L) x 4sets



(M) x 4sets

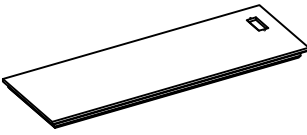


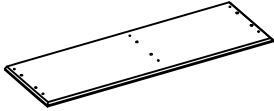

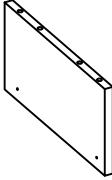

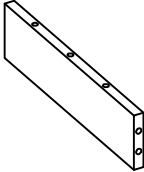
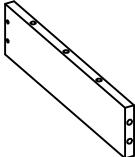
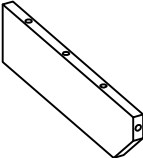
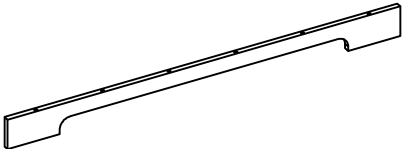
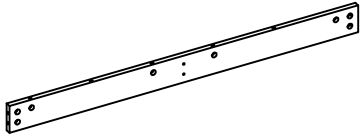
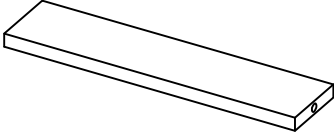
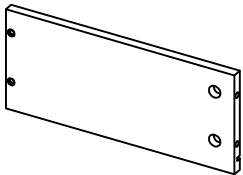
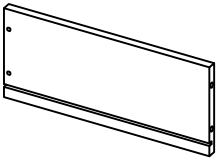
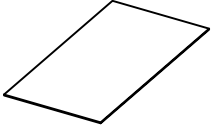


N x 1sets

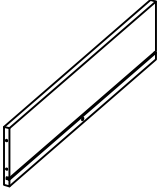
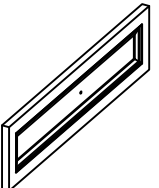
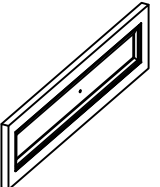
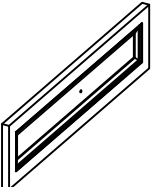

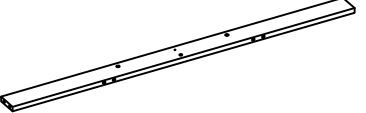
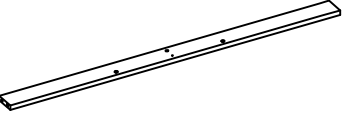
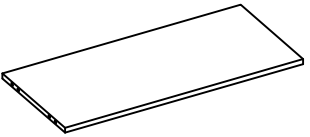
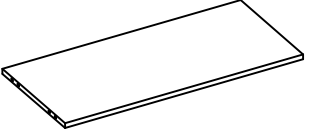
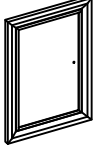
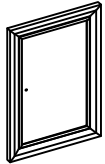
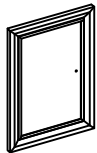
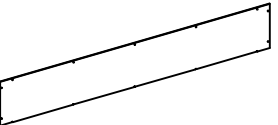
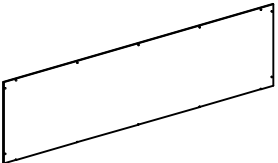
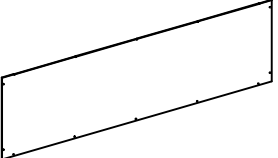


O x 1sets


## ASSEMBLY MATERIAL


Item no.	Reference Image	Oty.	Item no.	Reference Image	Oty.
①		X1	②		X1
③		X1	④		X1
⑤		X2	⑥		X2
⑦		X1	⑧		X1
⑨		X1	⑩		X1
⑪		X1	⑫		X1
⑬		X3	⑭		X3
⑮		X3	⑯		X3

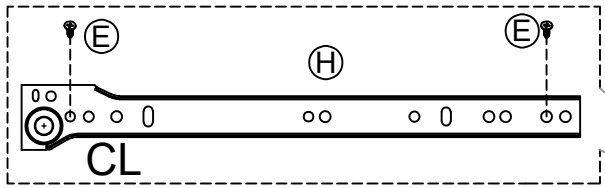
## ASSEMBLY MATERIAL

Item no.	Reference Image	Oty.	Item no.	Reference Image	Oty.
17		X3	18		X1
19		X1	20		X1
21		X1	22		X1
23		X1	24		X1
25		X1	26		X1
27		X2	28		X1
29		X1	30		X1
31		X1			

# Step 1

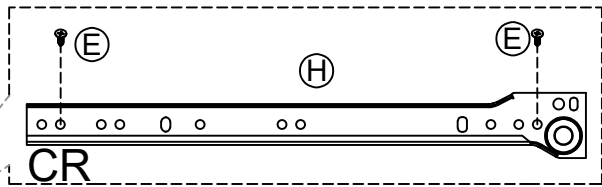
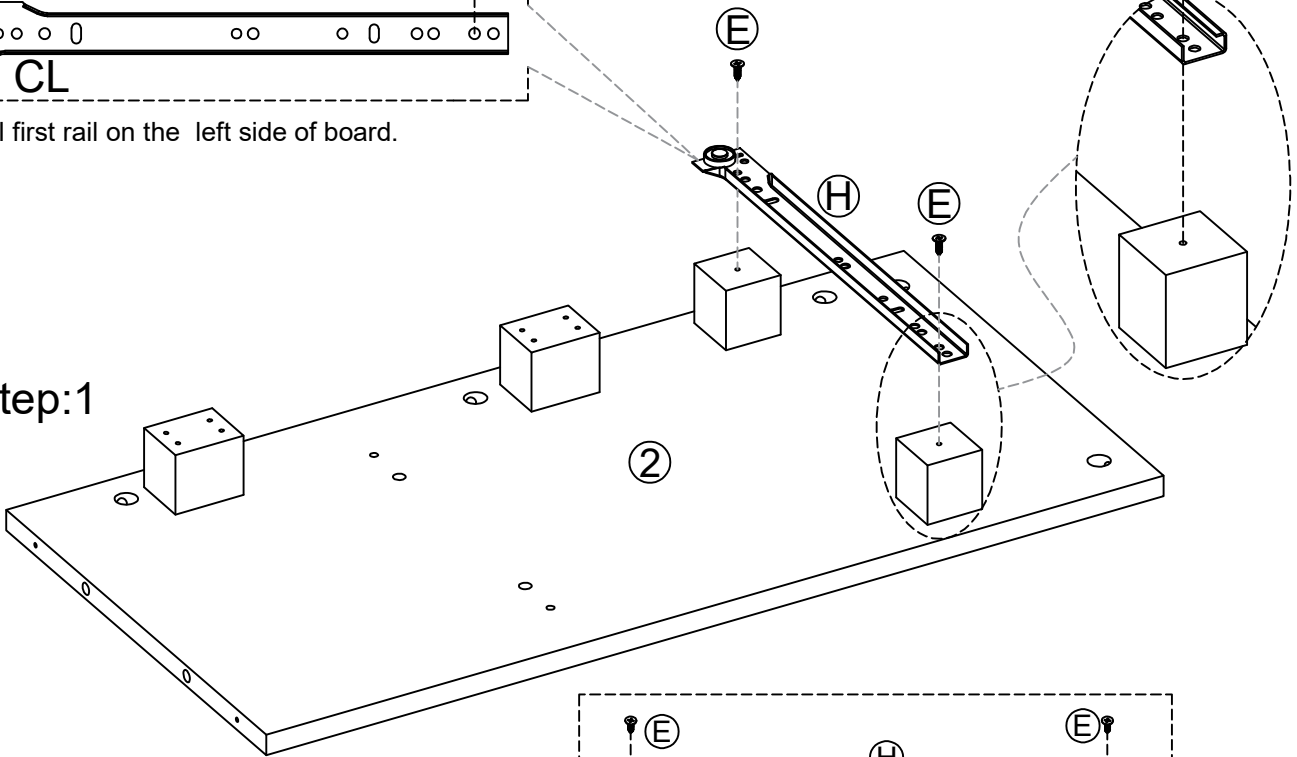
**E**   $\phi 3.5 \times 12\text{mm}$   
4X

**H**   
300MM CL  
2X



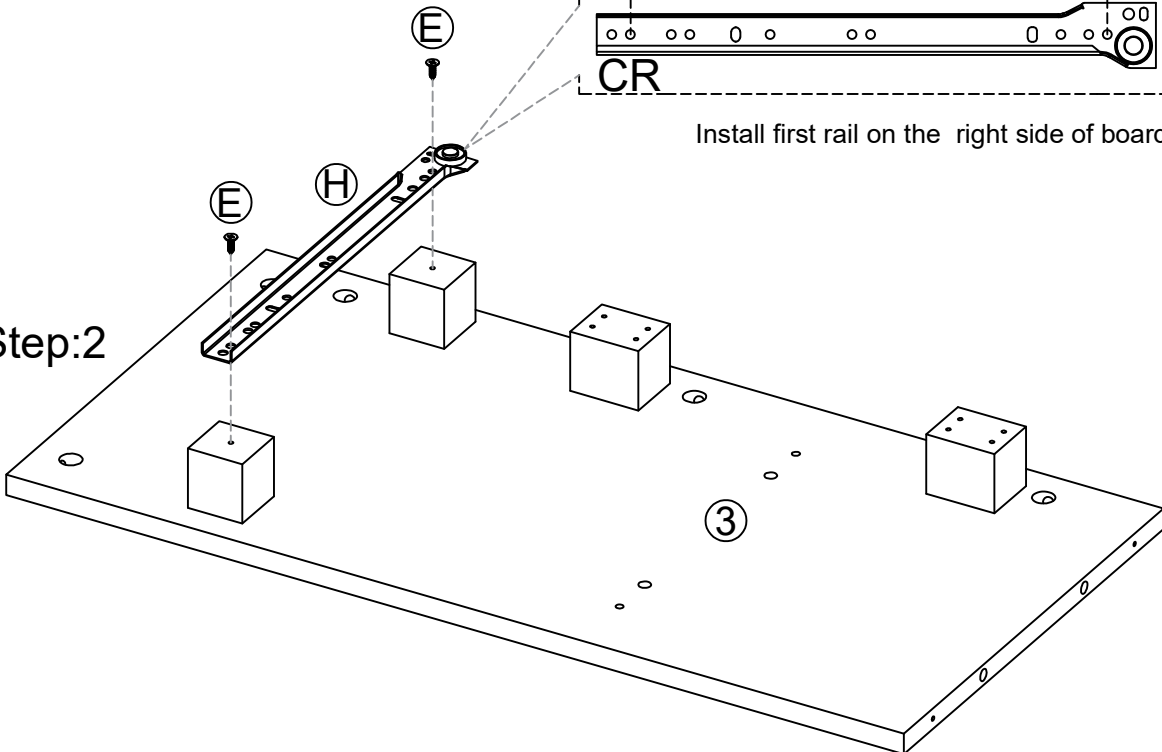
Install first rail on the left side of board.

Step:1

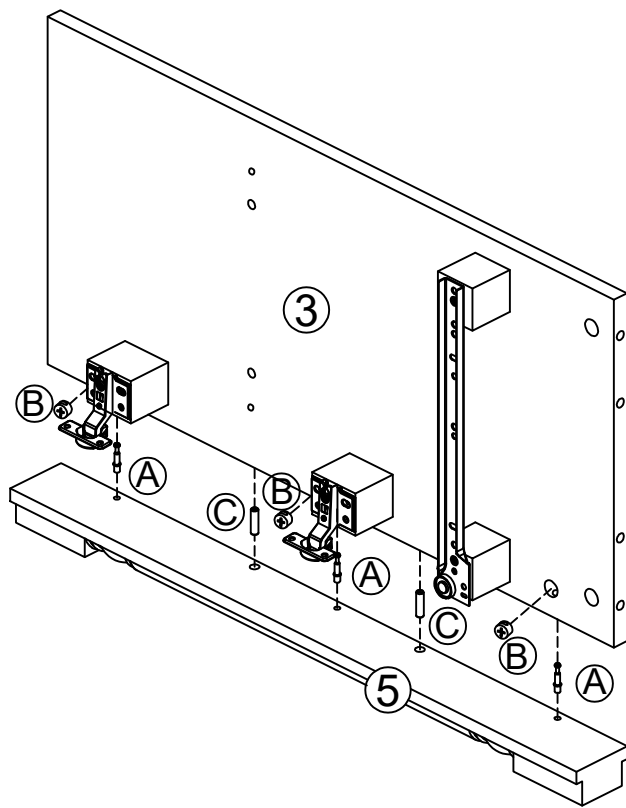
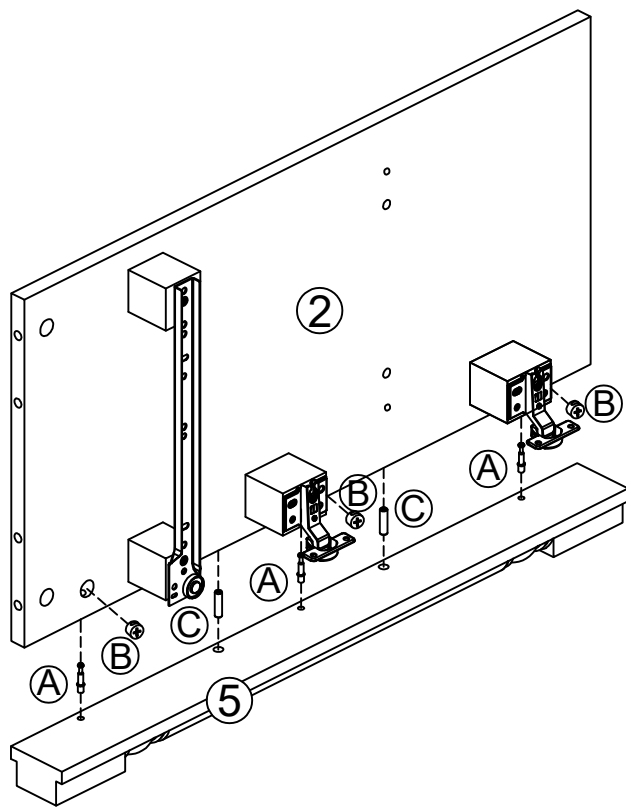
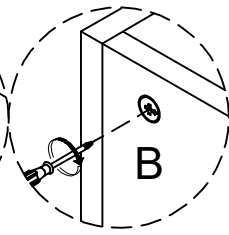
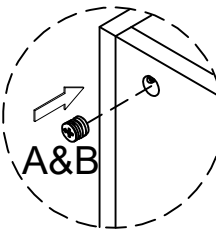
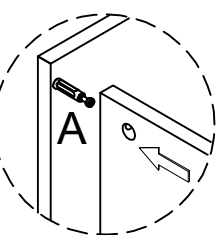
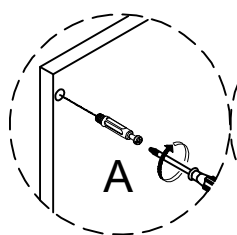
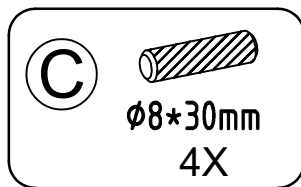
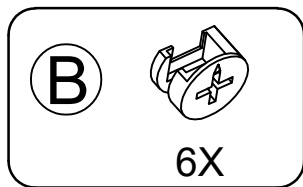
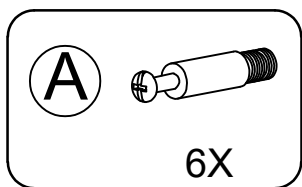


Install first rail on the right side of board.

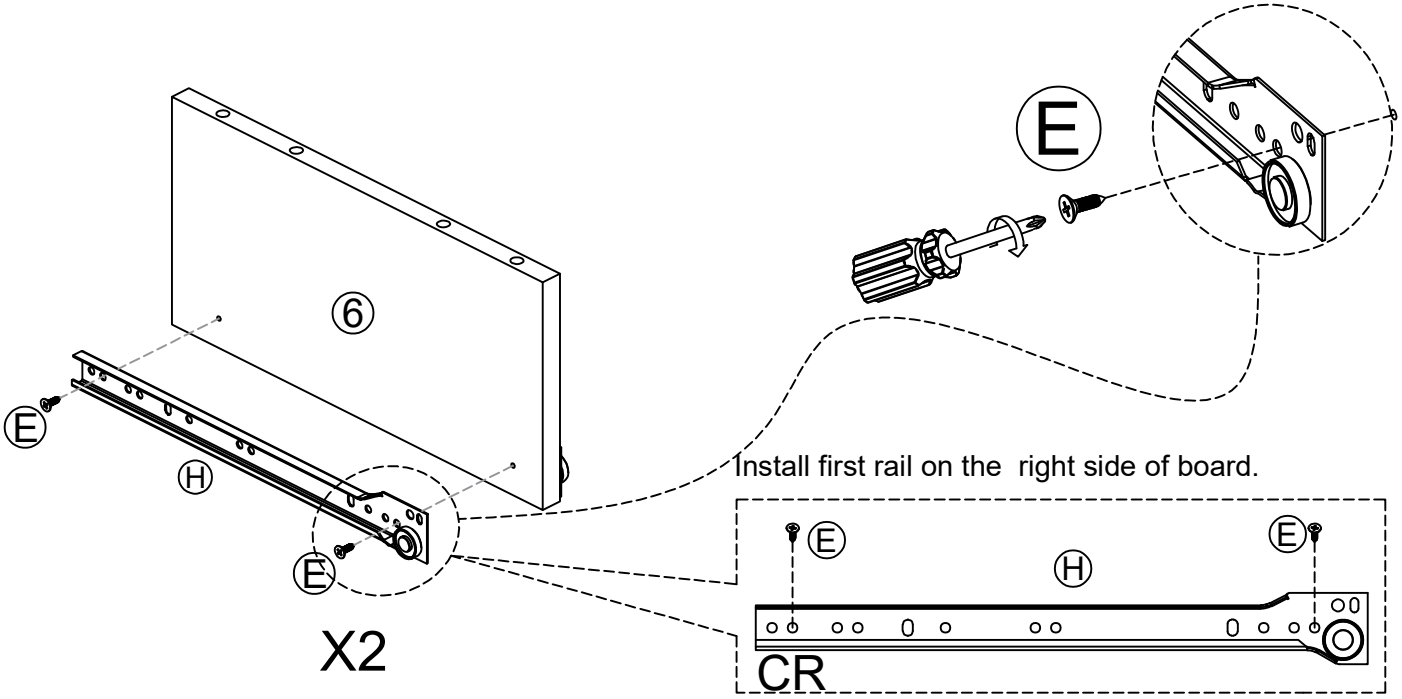
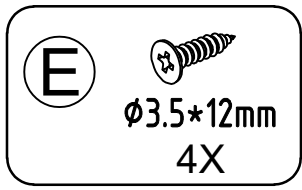
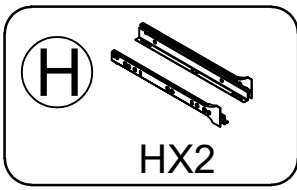
Step:2



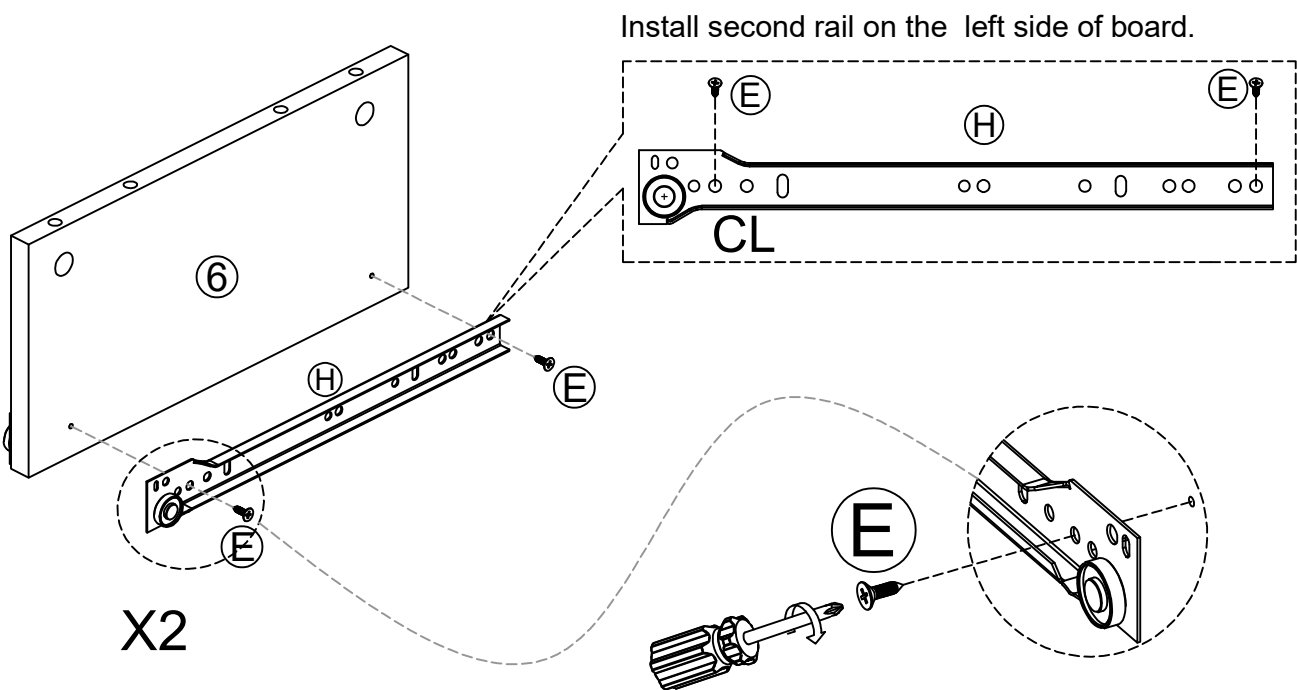
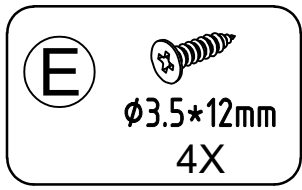
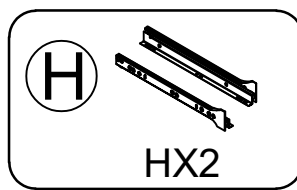
# Step 2



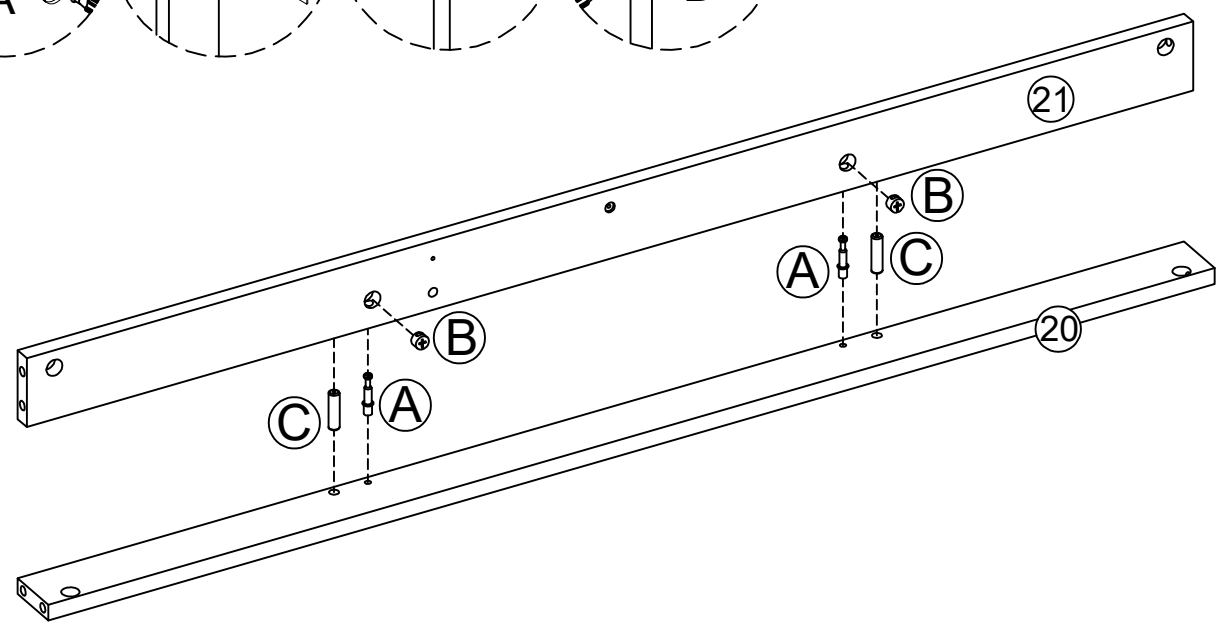
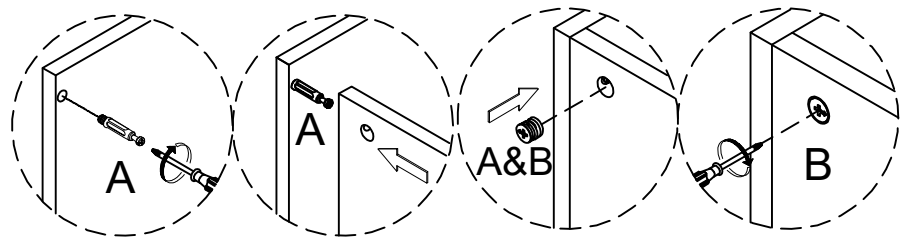
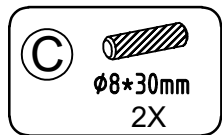
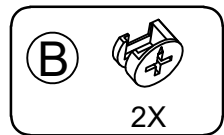
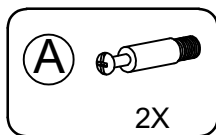
# Step 3



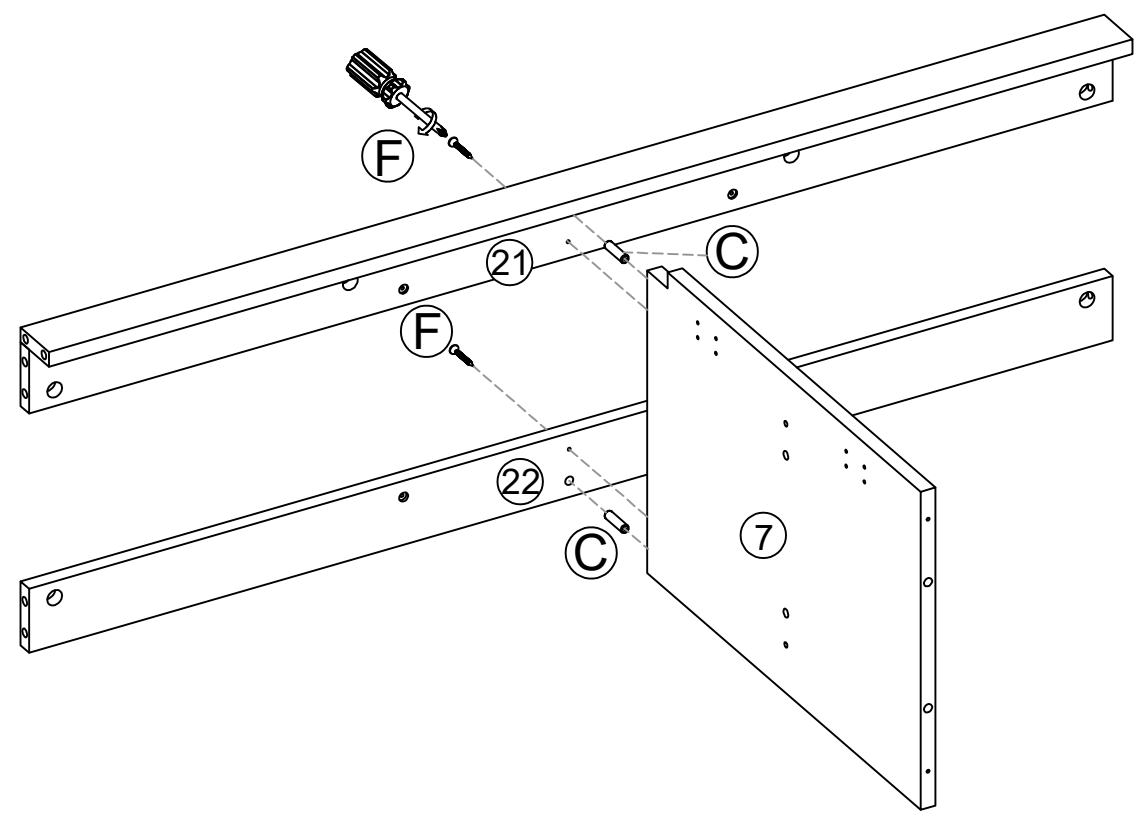
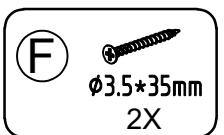
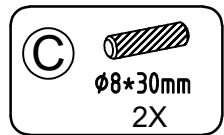
# Step 4



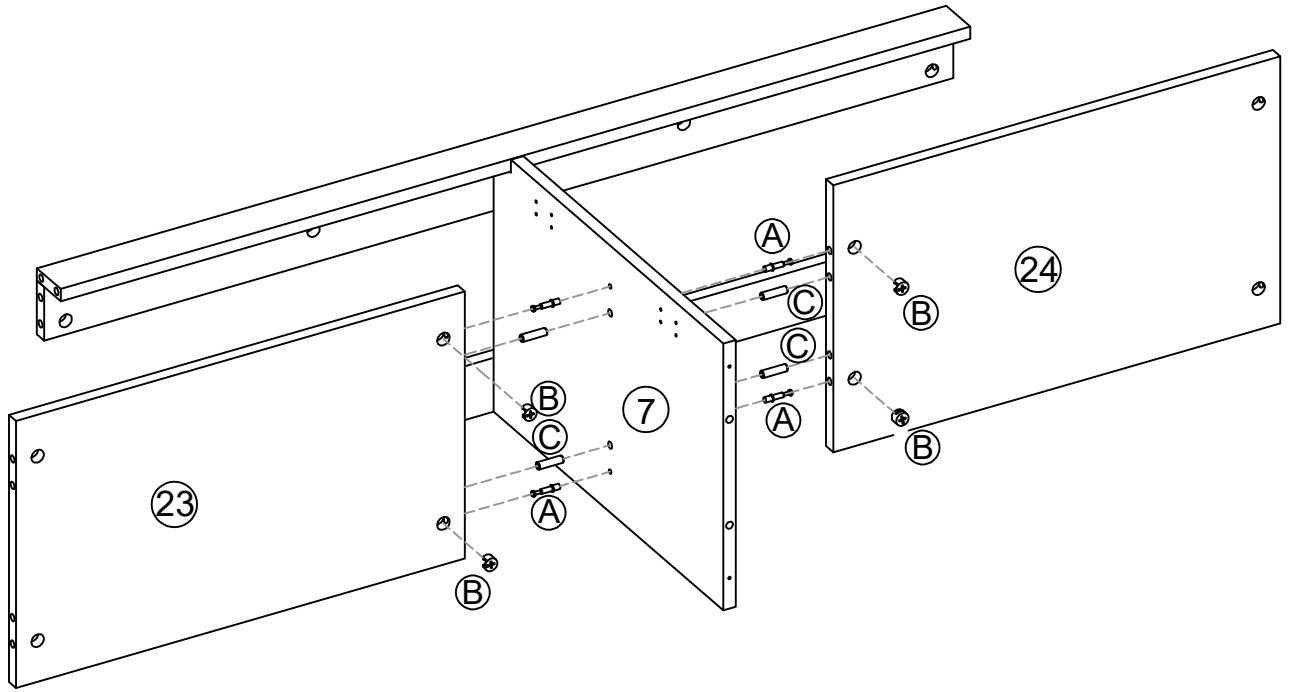
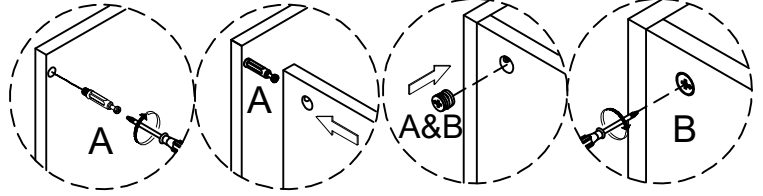
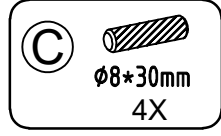
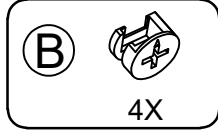
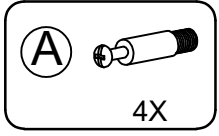
# Step 5



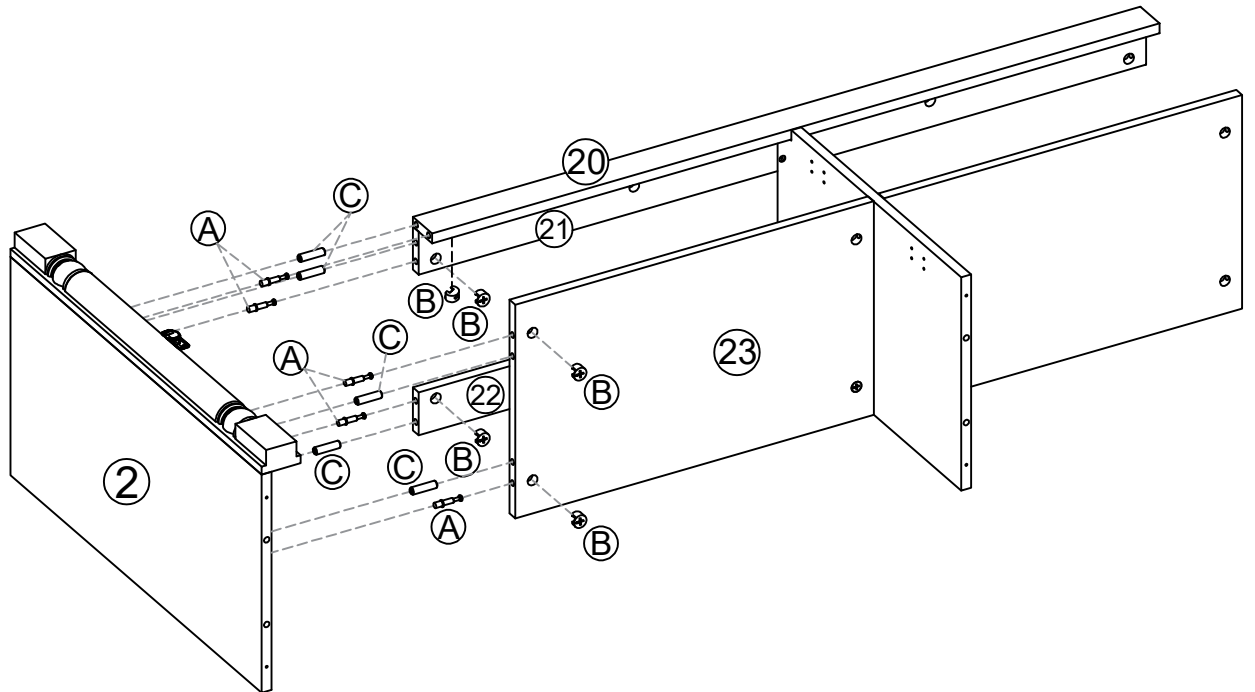
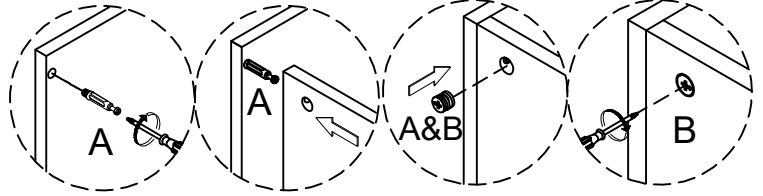
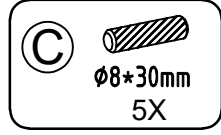
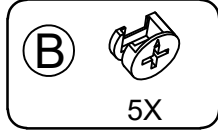
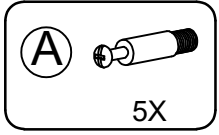
# Step 6



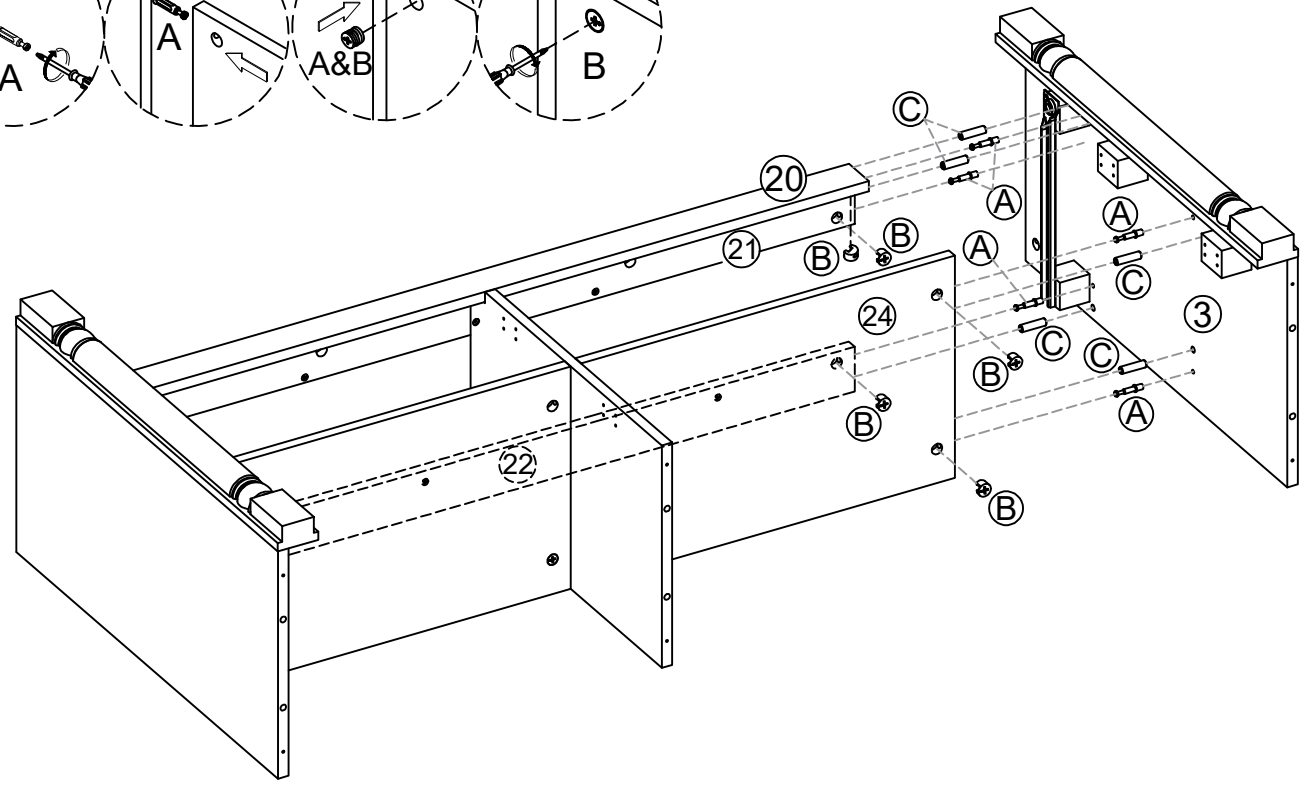
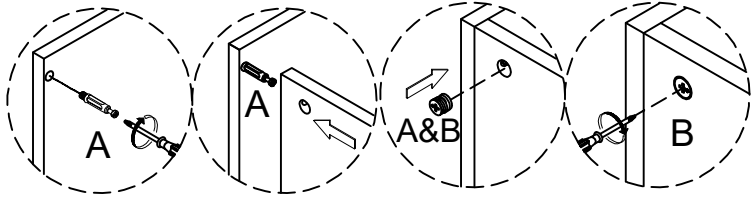
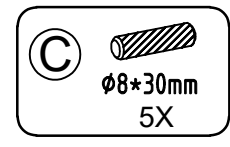
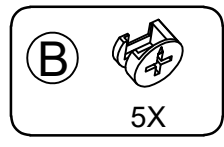
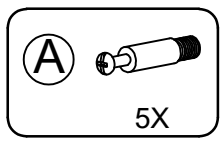
# Step 7



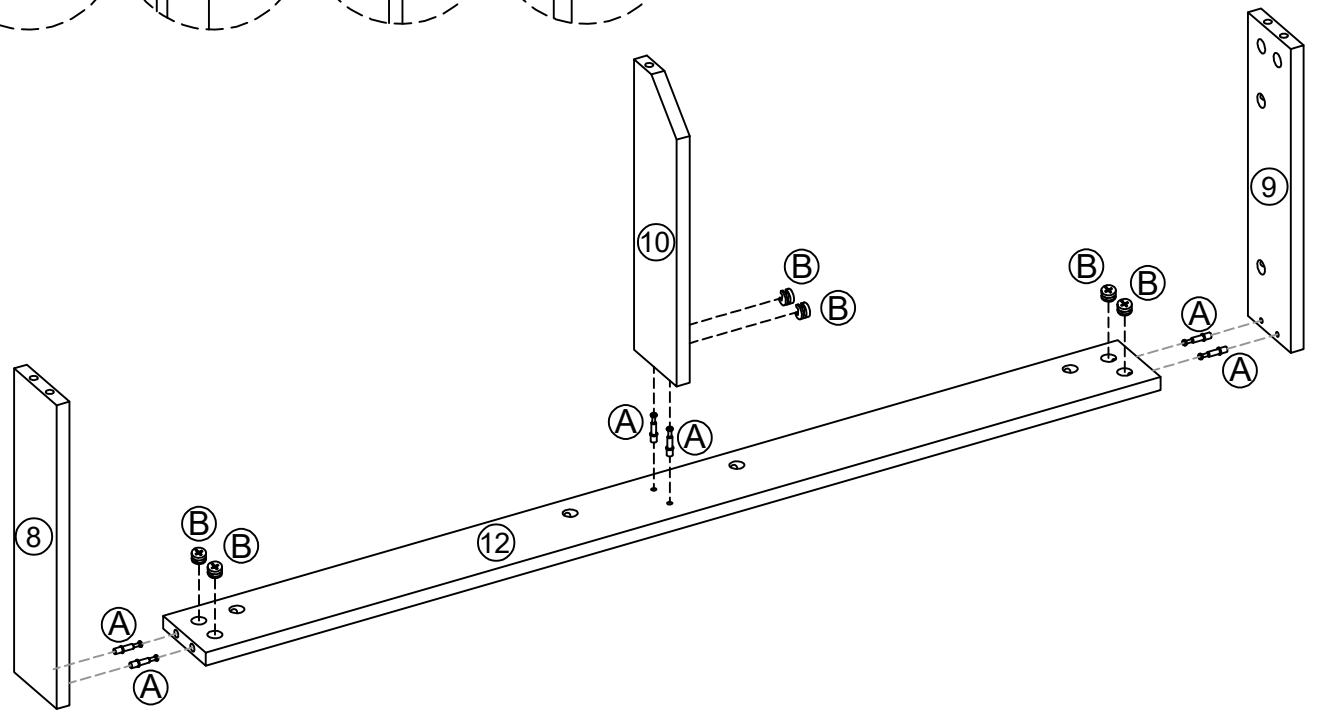
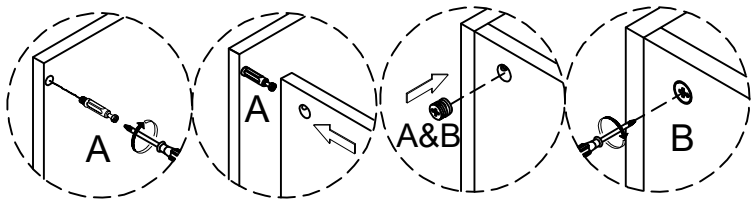
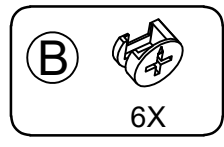
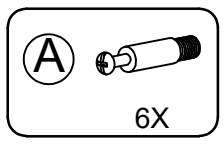
# Step 8



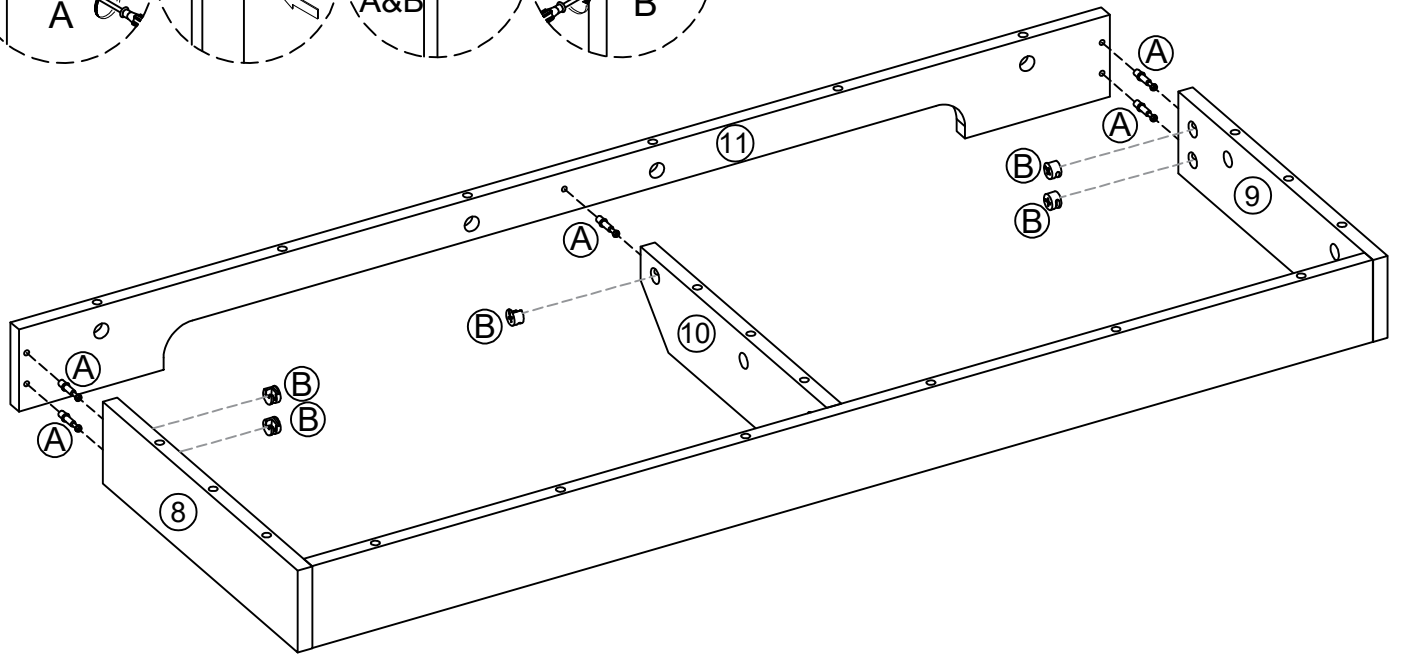
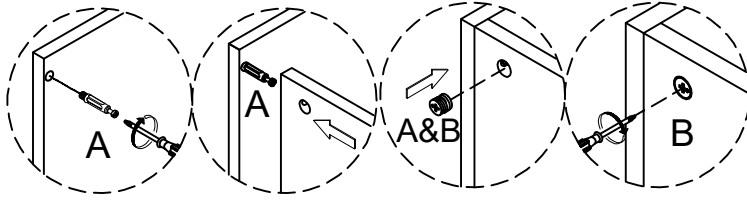
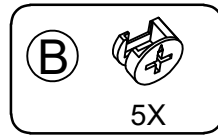
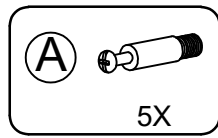
# Step 9



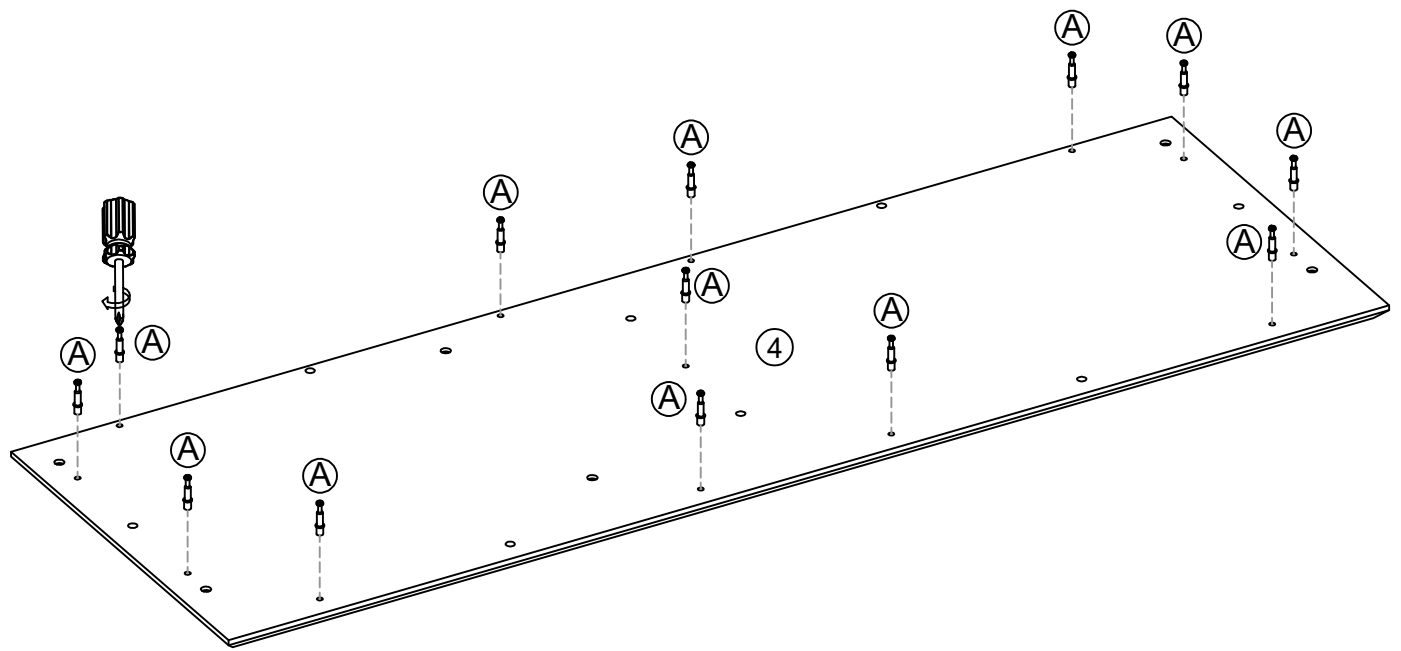
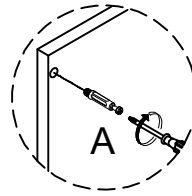
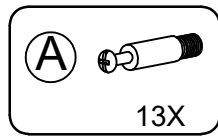
# Step 10



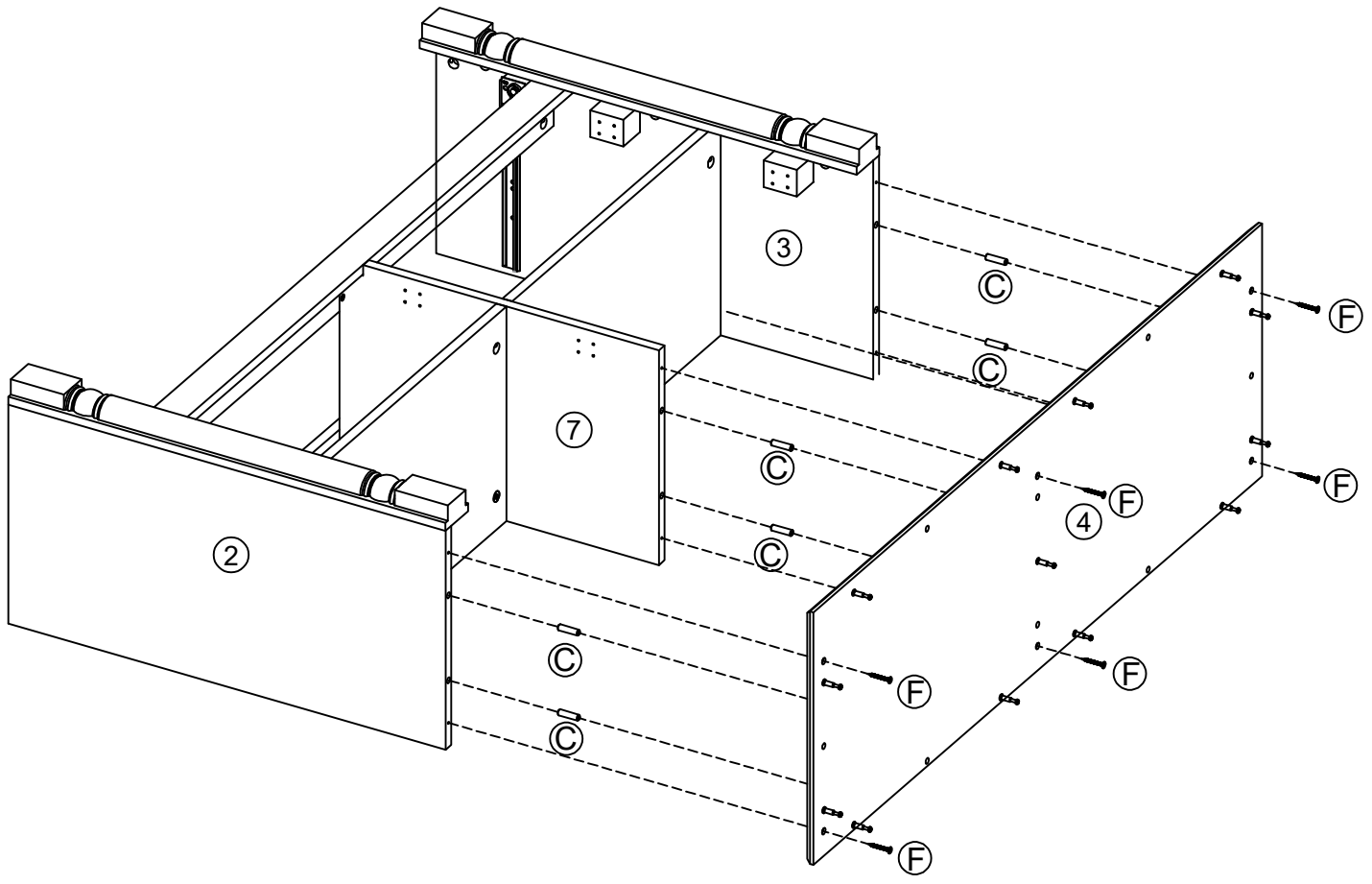
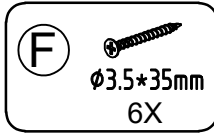
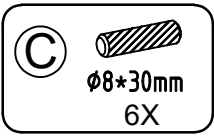
# Step 11



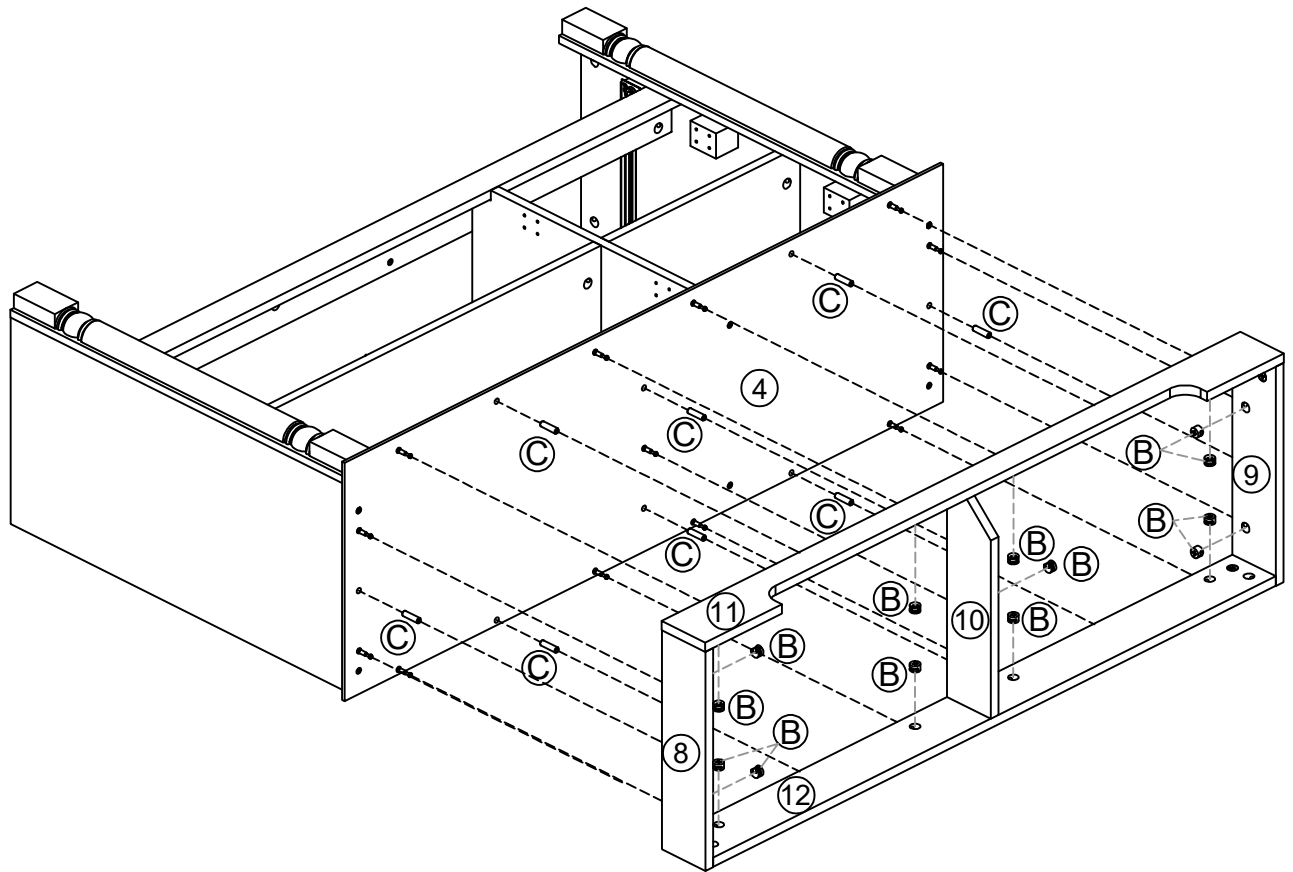
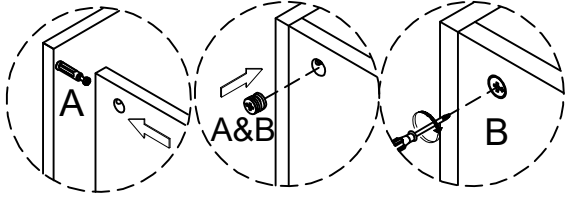
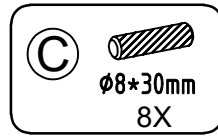
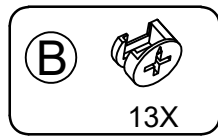
# Step 12



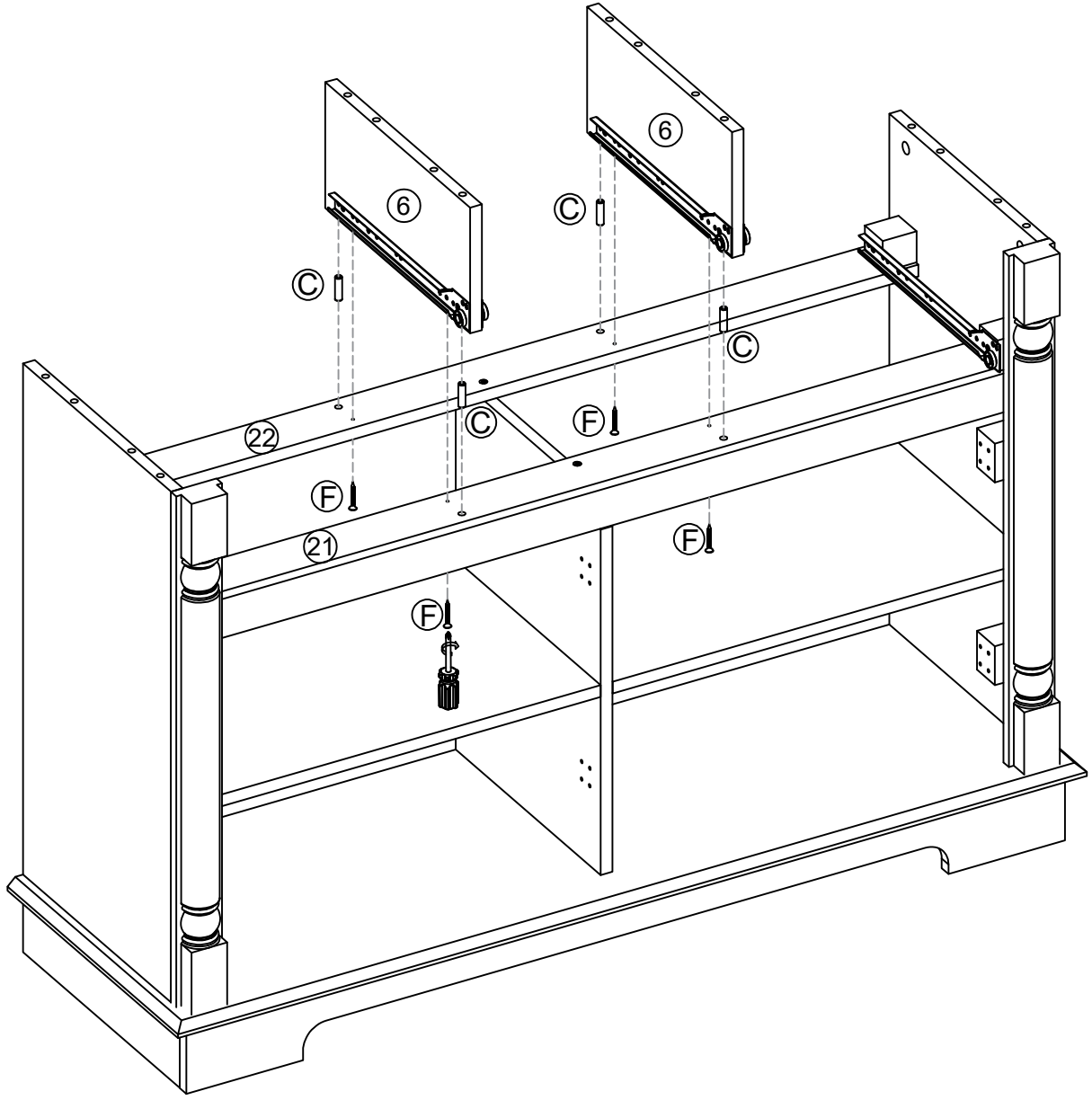
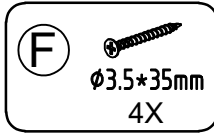
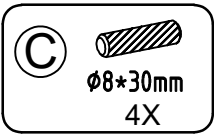
# Step 13



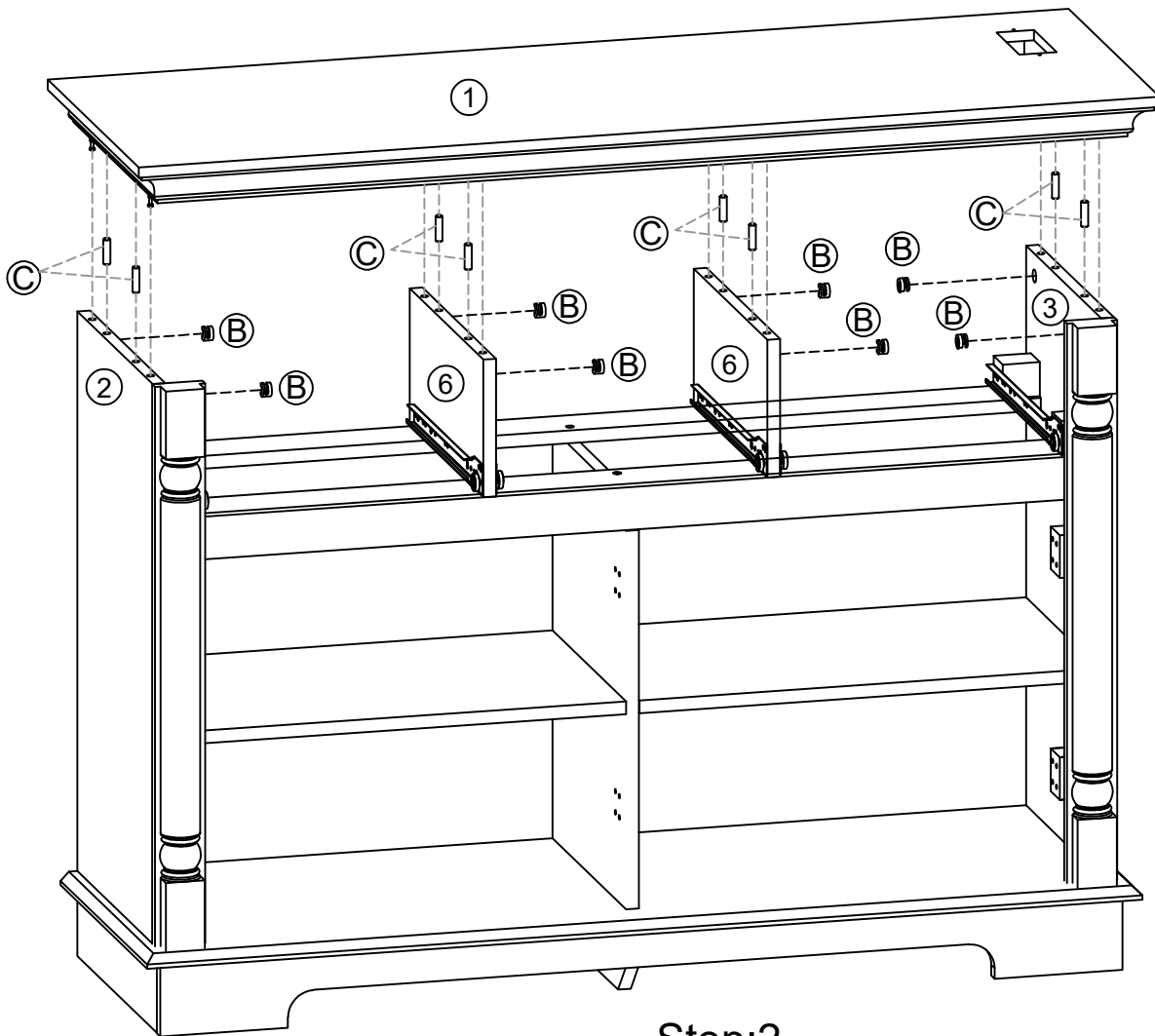
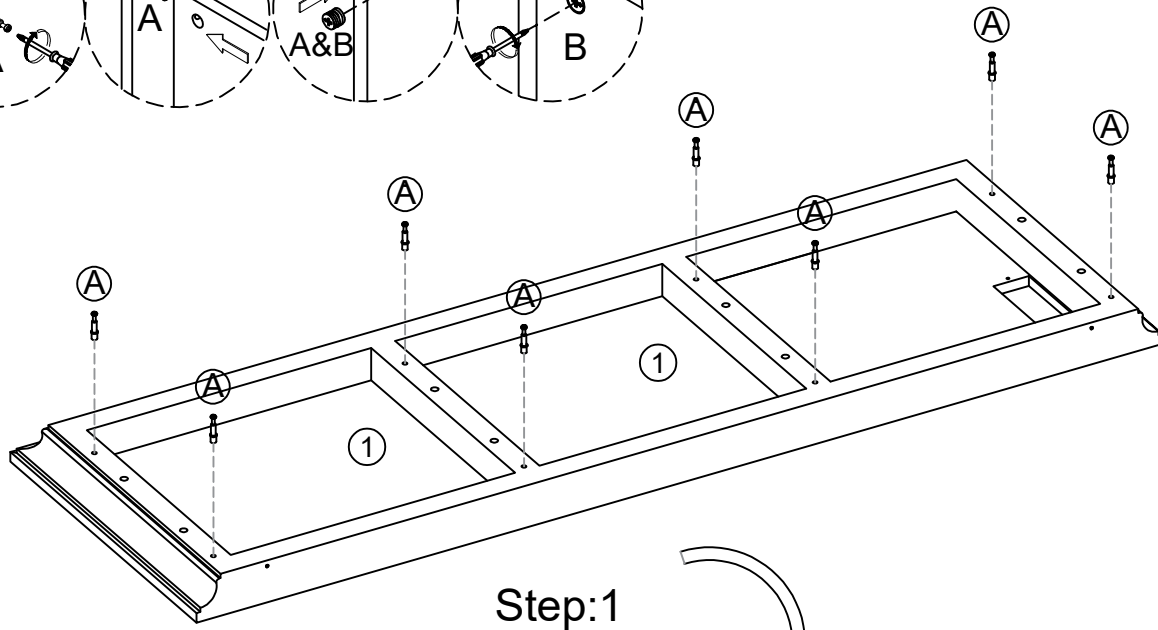
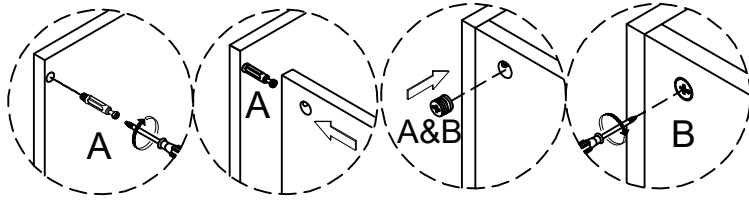
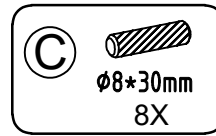
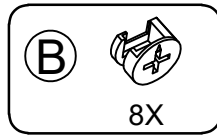
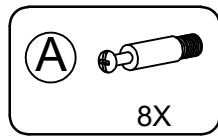
# Step 14



# Step 15





# Step 16





## Step:2

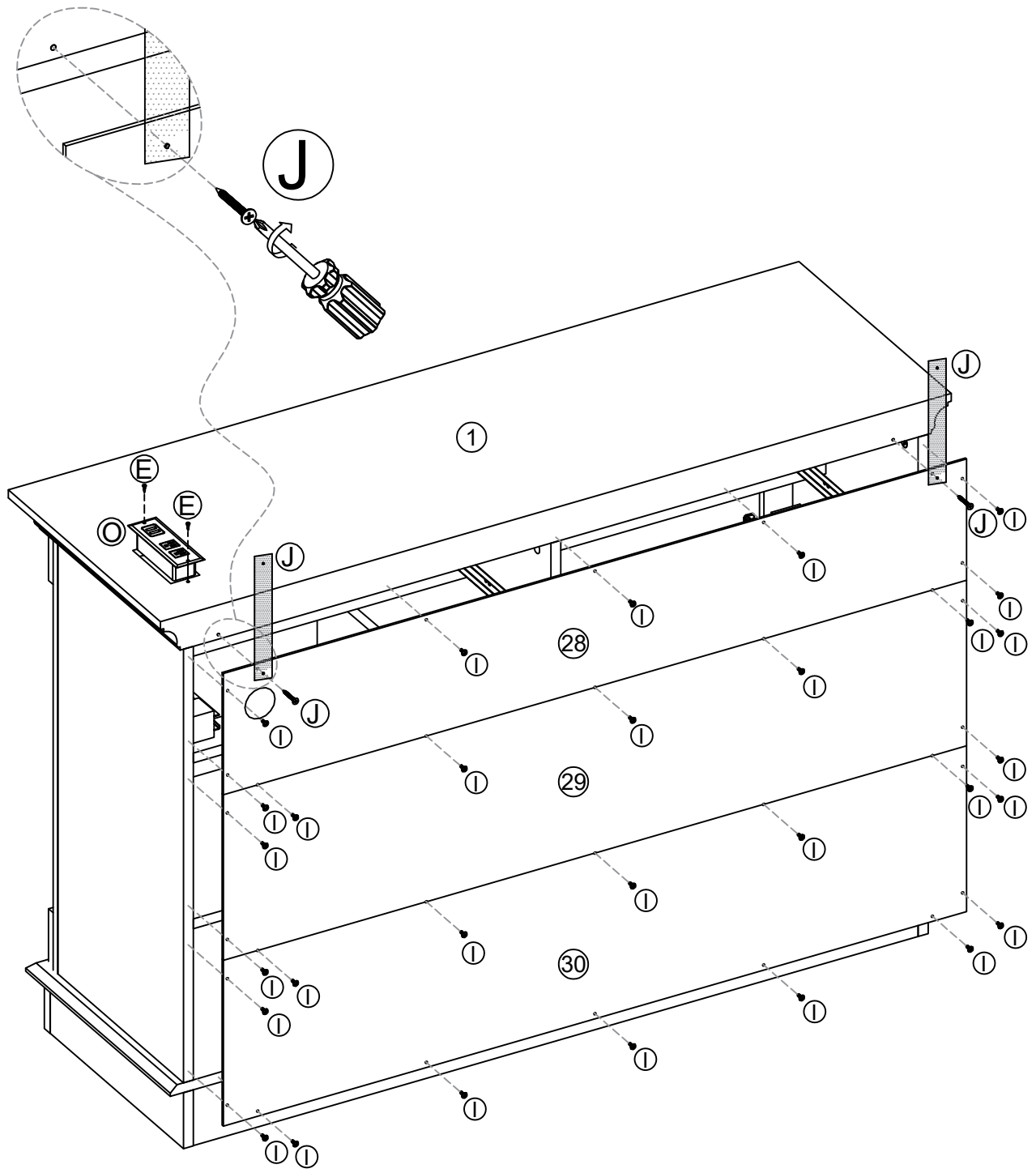
# Step 17

**E**   $\phi 3.5 \times 12\text{mm}$   
2X

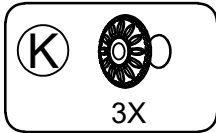
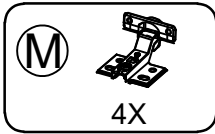
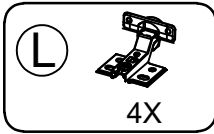
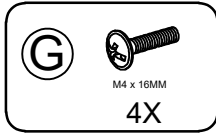
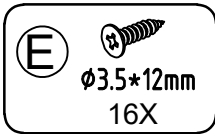
**O**   
1X

**I**  3.5 x 12MM  
30X

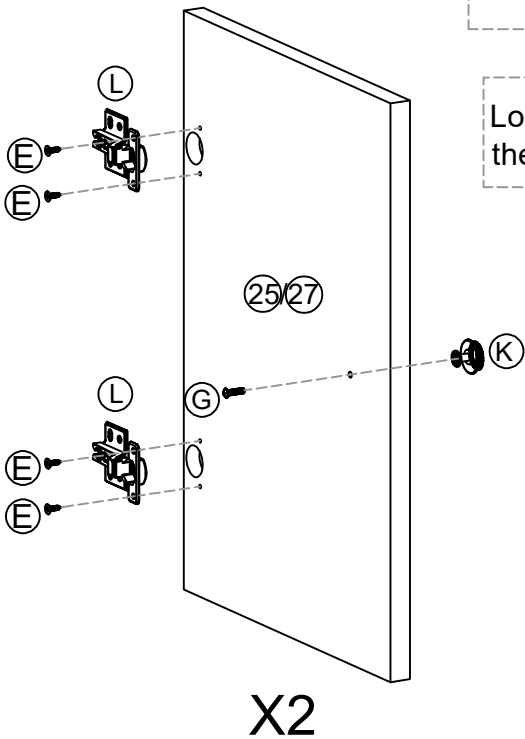
**J**   
1X



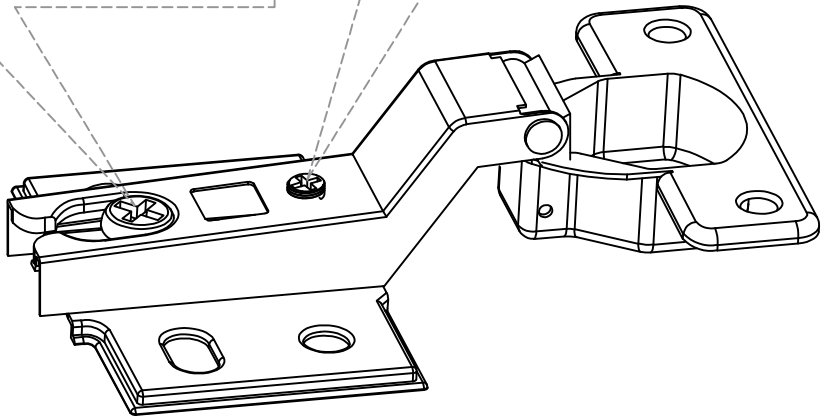
# Step 18



Clockwise rotation of the bolt increases the door hinge height; counterclockwise rotation of the bolt decreases the door hinge height.

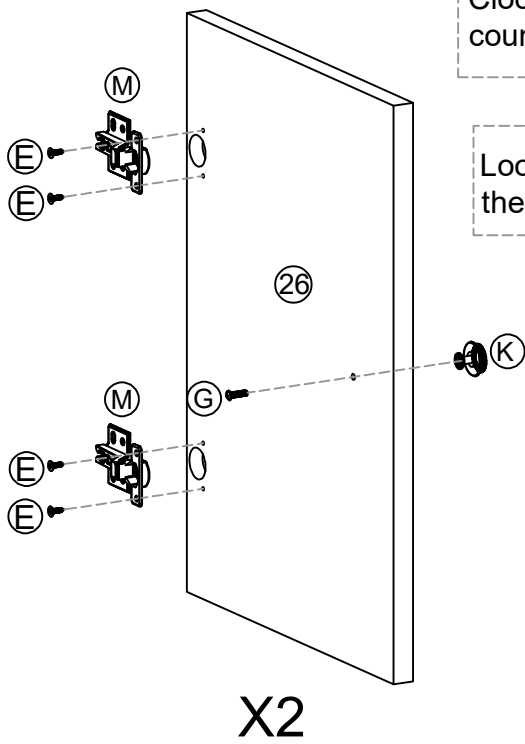


Loosen the screw to adjust the length of the door hinge

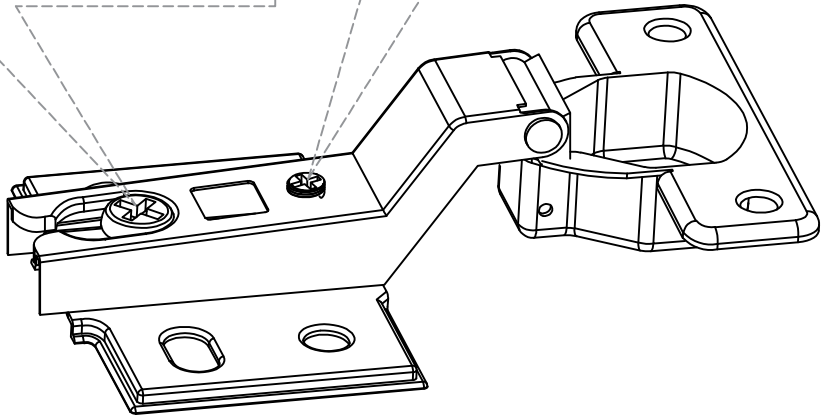


Hinge of big bend

Clockwise rotation of the bolt increases the door hinge height; counterclockwise rotation of the bolt decreases the door hinge height.

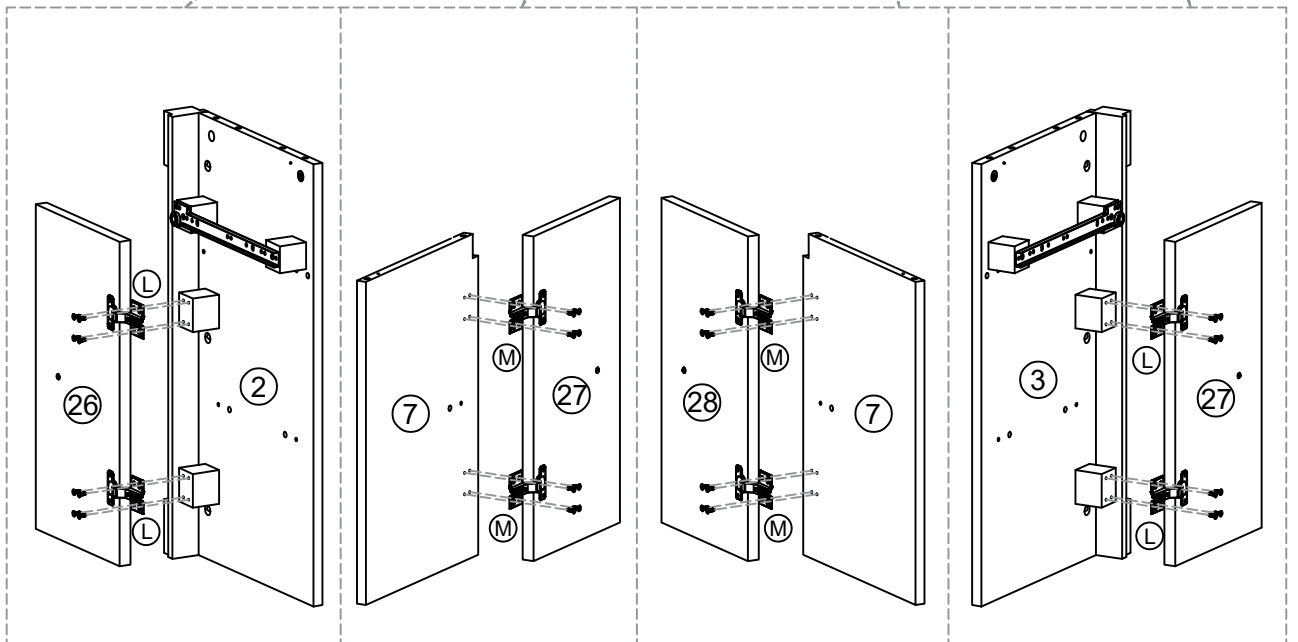
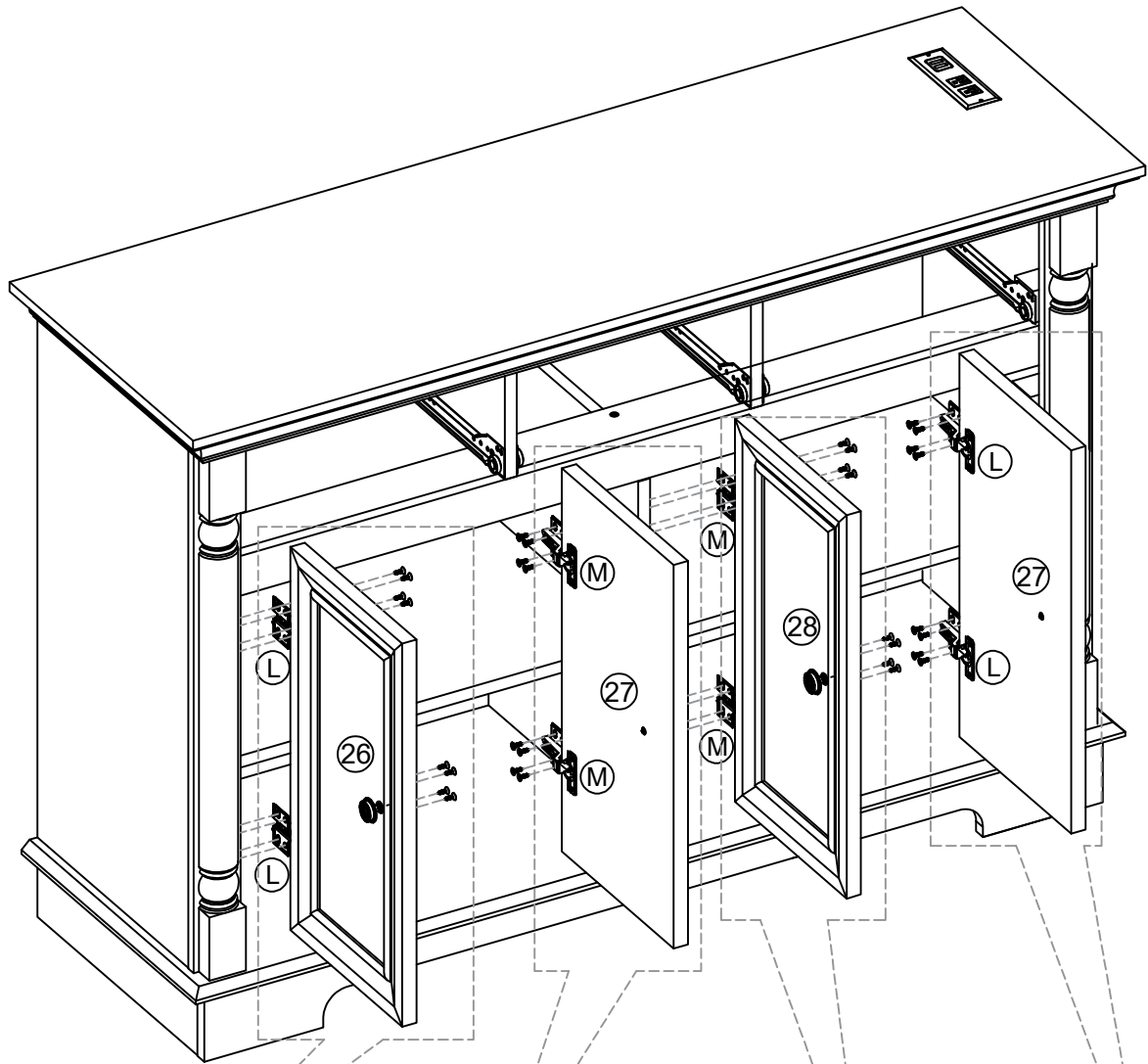
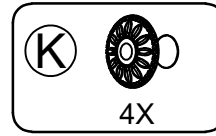
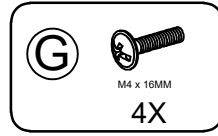
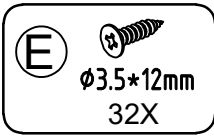


Loosen the screw to adjust the length of the door hinge

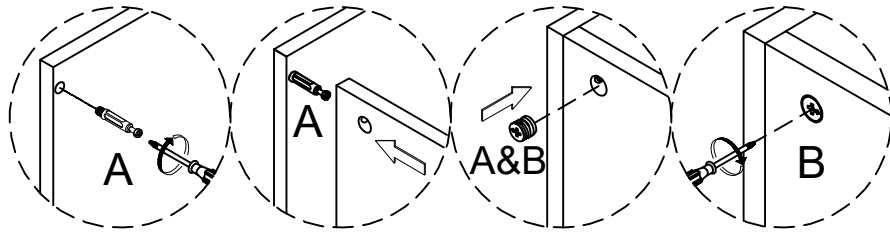
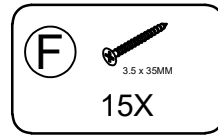
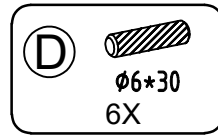
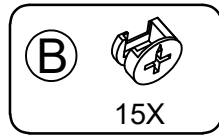
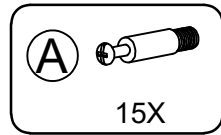


Hinge with a medium bend

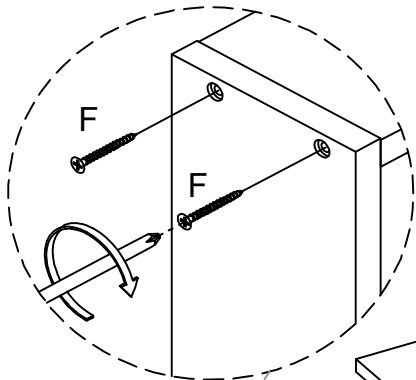
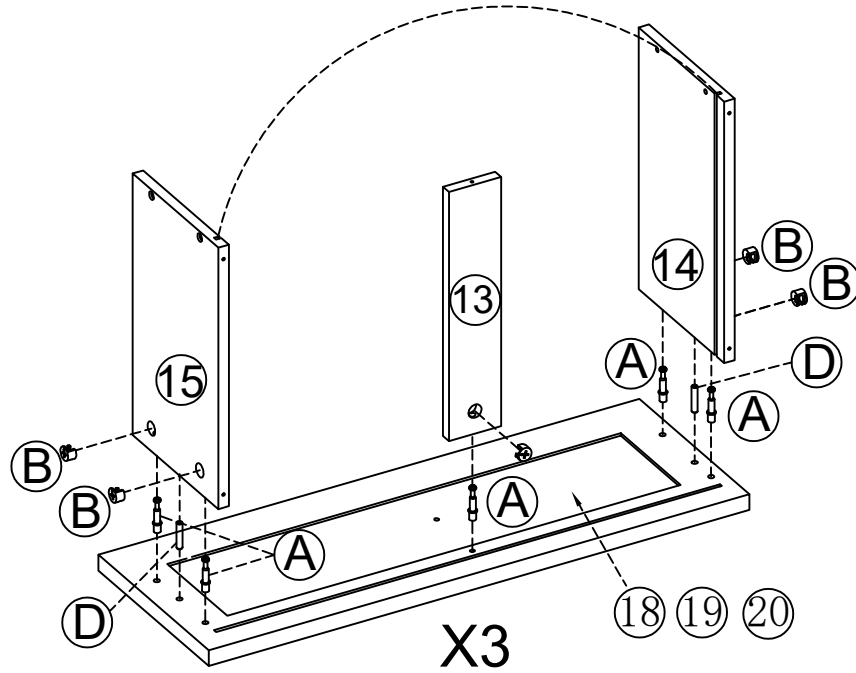
# Step 19



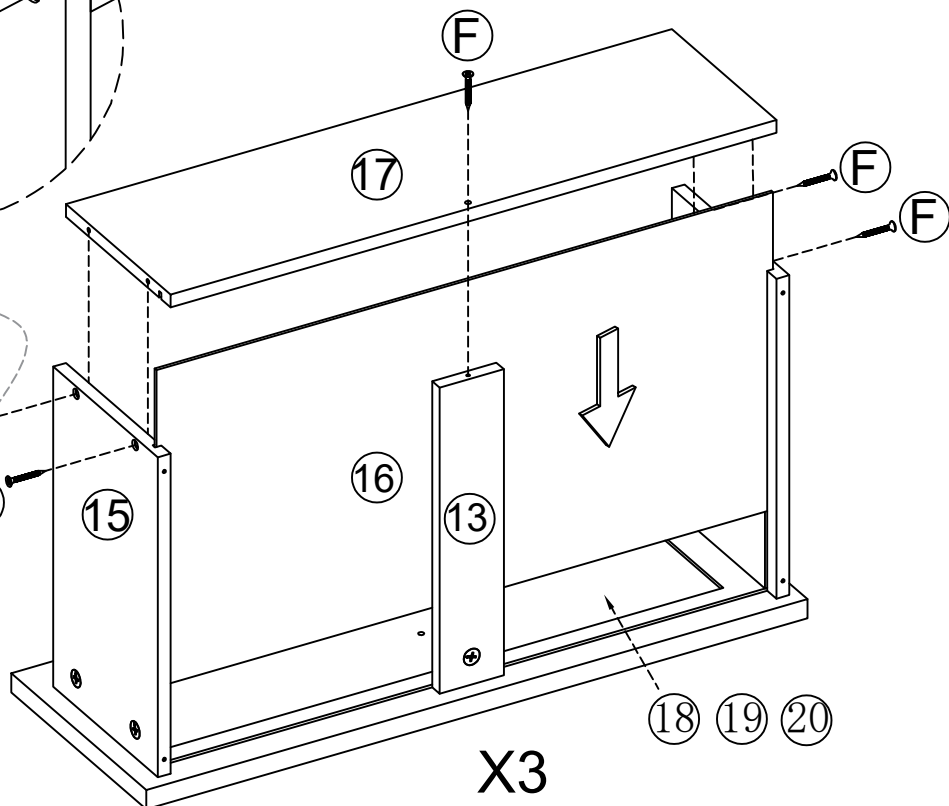
# Step 20




Step:1





Step:2

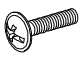


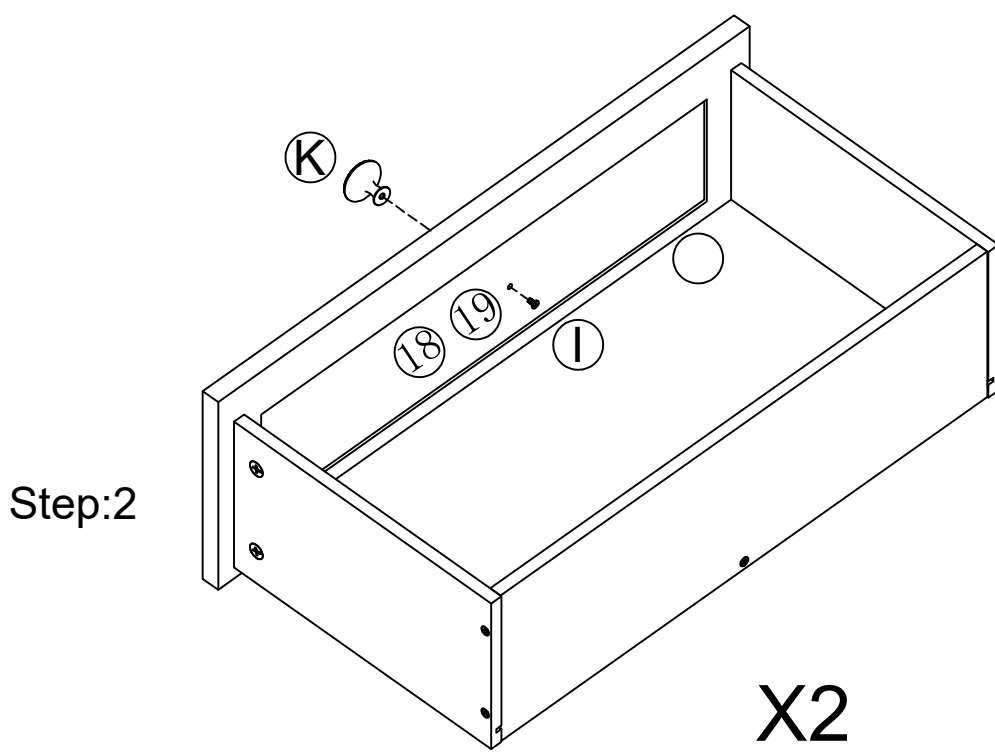
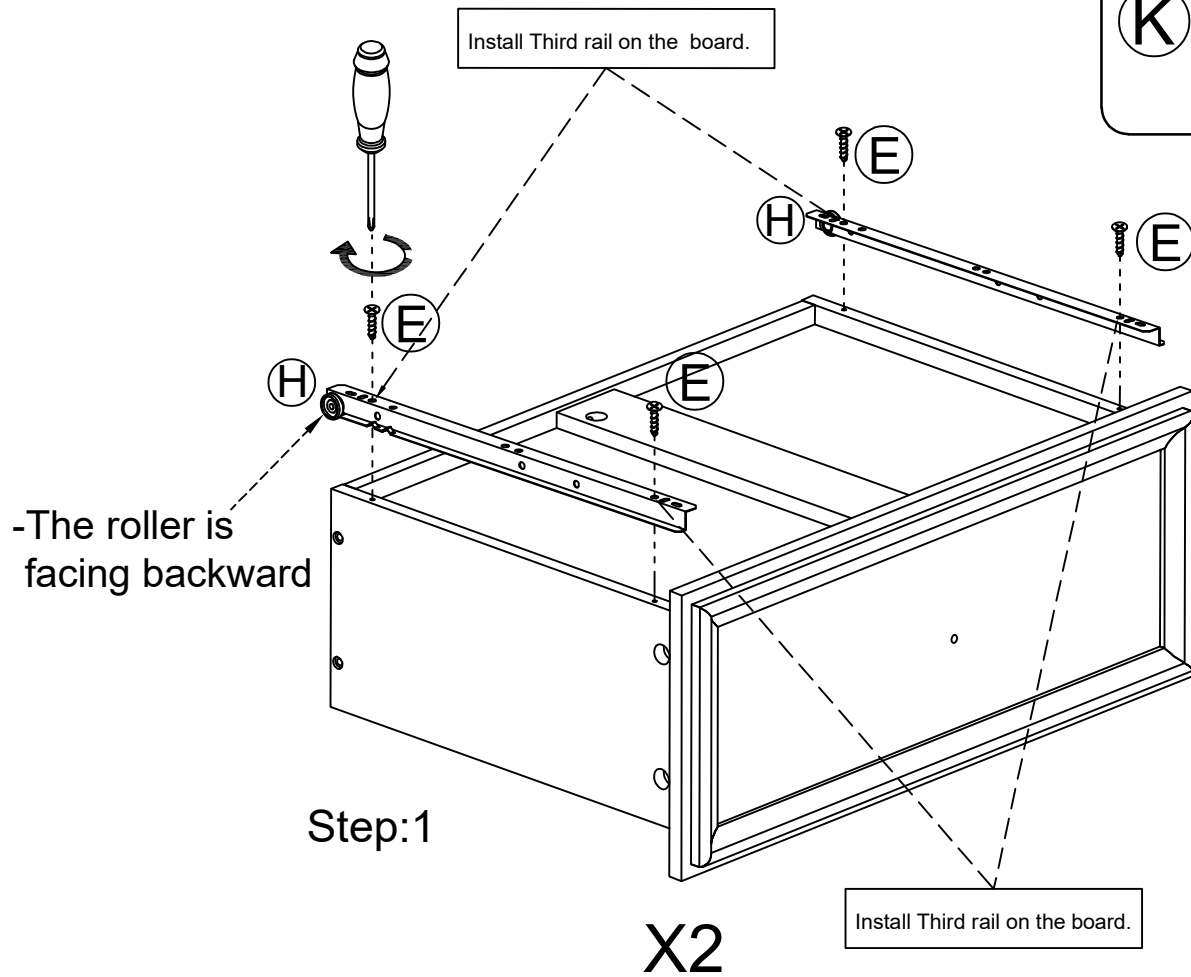
# Step 21

**E**   
Ø3.5\*12mm  
12X

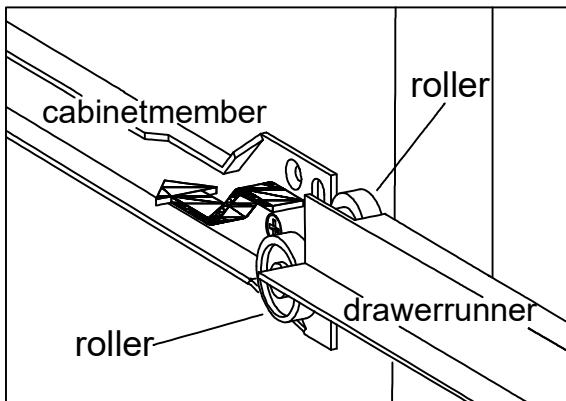
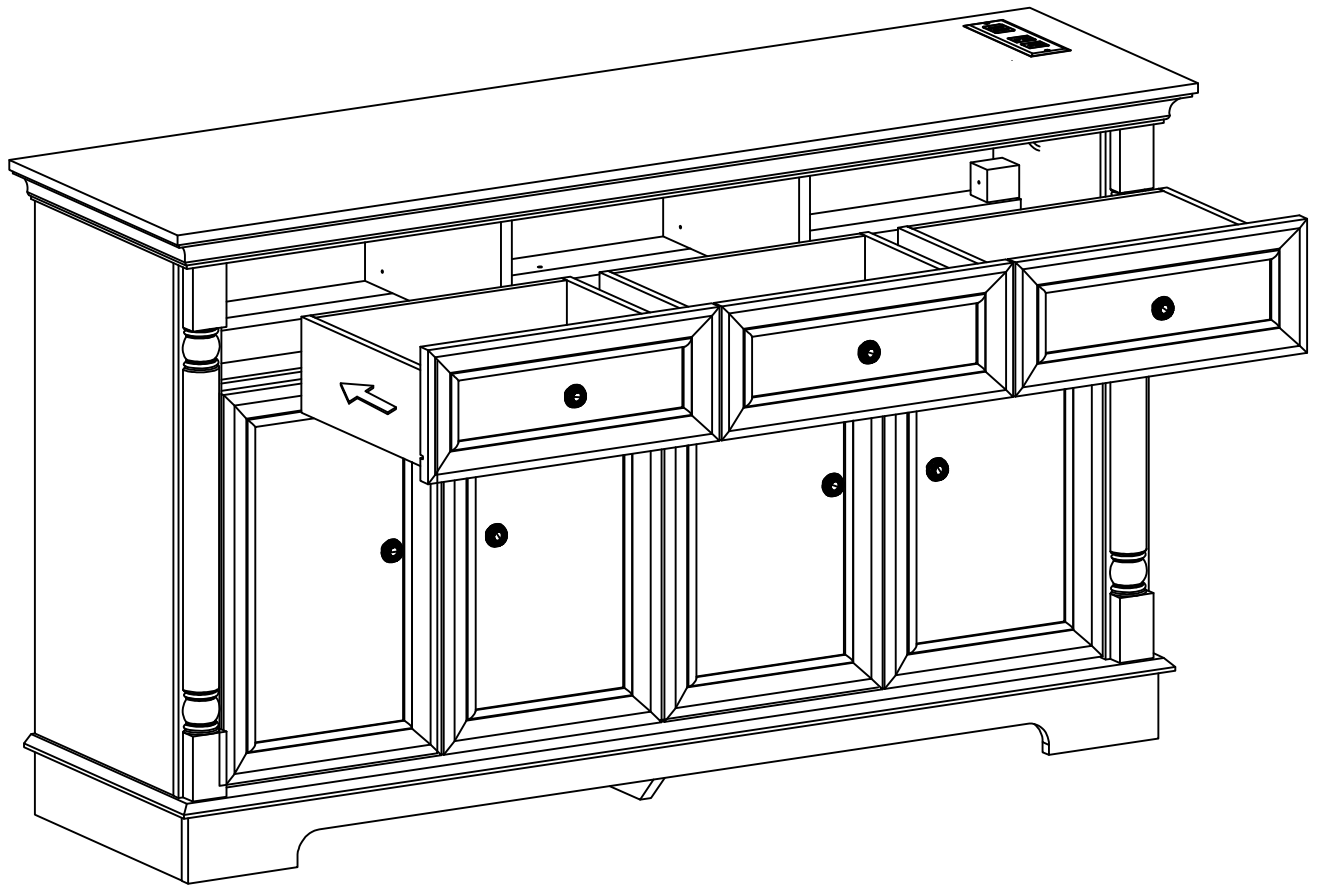
**H**   
3X

**G**   
M4 x 16MM  
3X

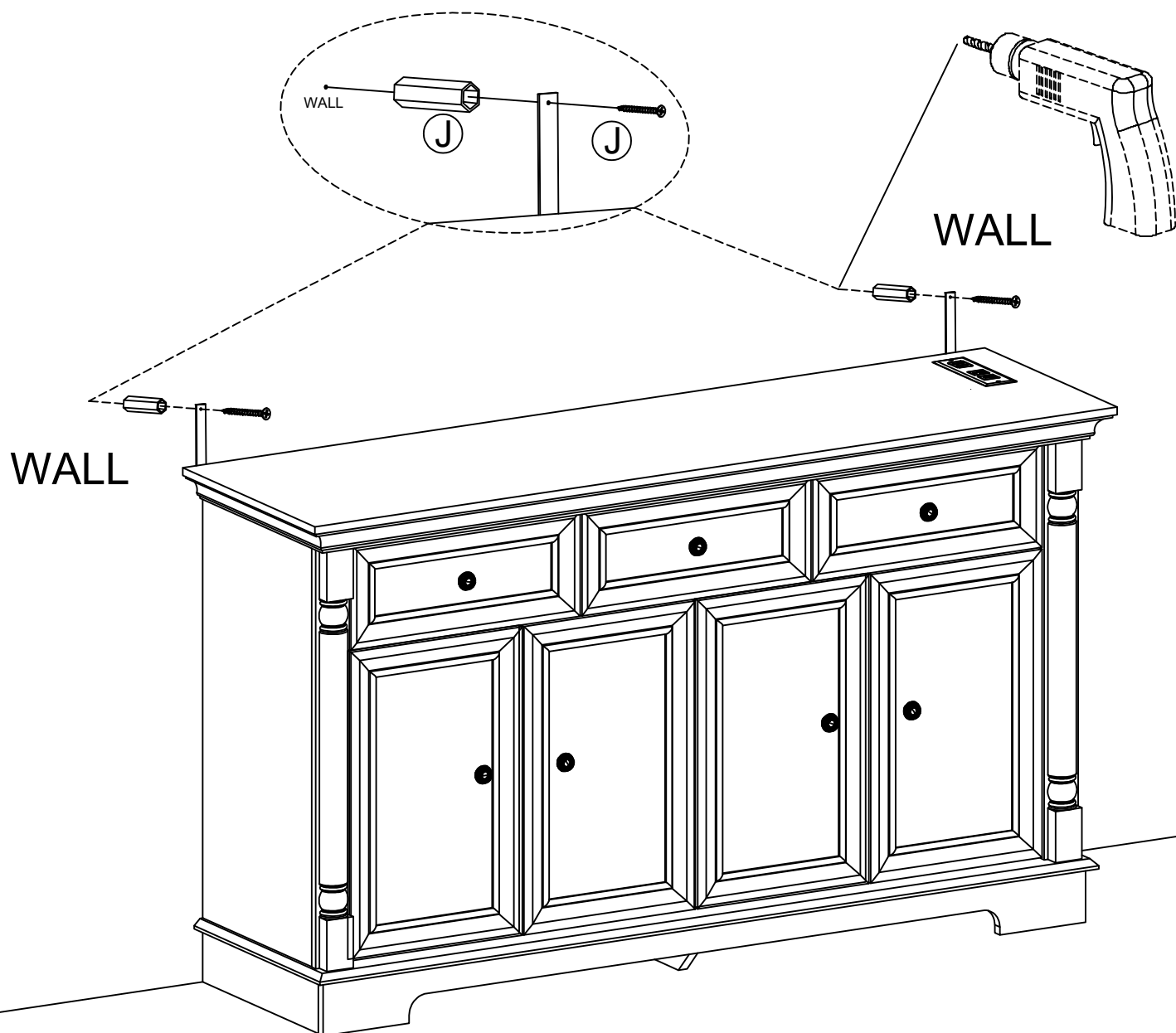
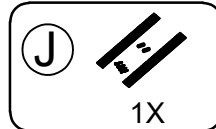
**K**   
M4 x 14MM  
3X



# Step 22



## Step 23



The furniture must permanently be fixed to the wall using the provided anti-tipping device to prevent it from tipping over.

- Mark the drill positions on the wall with a pencil.
- Drill a small hole on the marked positions.
- Insert a wall anchor into the drilled hole.
- Fix the anti-tipping strap to the wall using the provided screws.