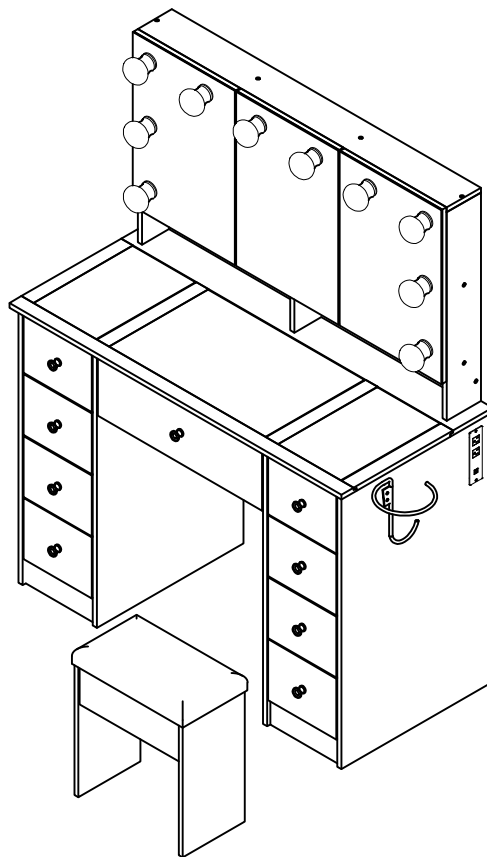


# ASSEMBLY INSTRUCTIONS

Made In Vietnam

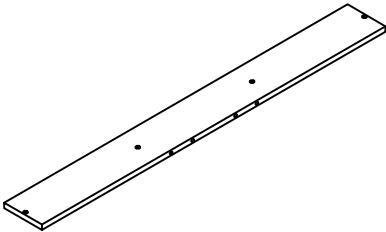
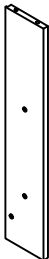
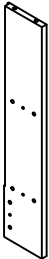


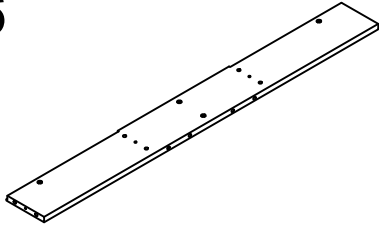
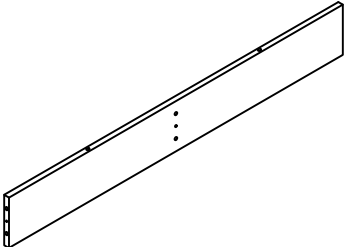
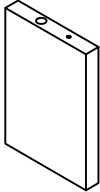
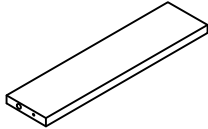


Thank you for purchasing this quality product. Be sure to check all packing material carefully for small parts, which may have come loose inside the carton during shipment. Count all parts and material hardware, then compare with parts list to be sure all parts are present. If any parts are missing or damaged, phone, fax

Department for efficient and speedy service. Please indicate the model number and code letter of part(s) needed.

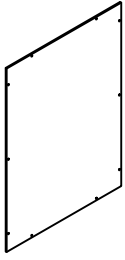
NOTE: In order to prevent damage during assembly, please assemble this item with at least two people.

IMPORTANT NOTE: Follow instructions listed below in proper sequence as numbered to assure fast, easy and correct assembly.

<b>PARTS LIST</b>		
<b>1</b>		<b>2</b>
<b>3</b>		
<b>4</b>		<b>5</b>
<b>6</b>		
<b>7</b>		<b>8</b>
<b>9</b>		
<b>TOP UPPER PANEL-1PC</b>	<b>TOP LEFT PANEL-1PC</b>	<b>TOP RIGHT PANEL-1PC</b>
<b>TOP MIDDLE LEFT PANEL-1PC</b>	<b>TOP MIDDLE RIGHT PANEL-1PC</b>	<b>TOP MIDDLE PANEL-1PC</b>
<b>TOP LOWER PANEL-1PC</b>	<b>FRONT PANEL-1PC</b>	<b>TOP SHELF PANEL-2PCS</b>

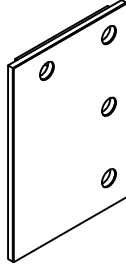
# PARTS LIST

10



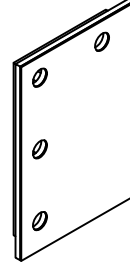
TOP BACK PANEL-2PCS

11



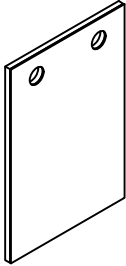
LEFT DOOR-1PC

12



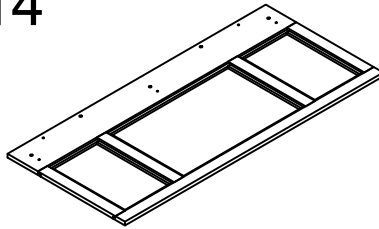
RIGHT DOOR-1PC

13



MIDDLE PANEL-1PC

14



TOP PANEL-1PC

15



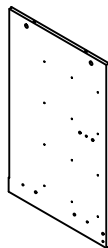
LEFT SIDE PANEL-1PC

16



RIGHT SIDE PANEL-1PC

17



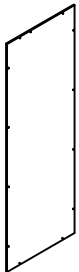
STAND LEFT PANEL-1PC

18



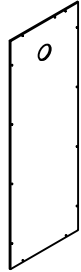
STAND RIGHT PANEL-1PC

19



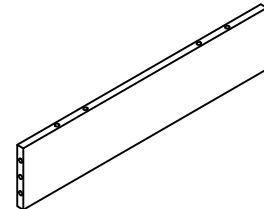
LEFT BACK PANEL-1PC

20



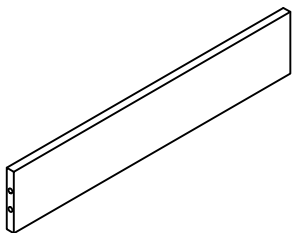
RIGHT BACK PANEL-1PC

21



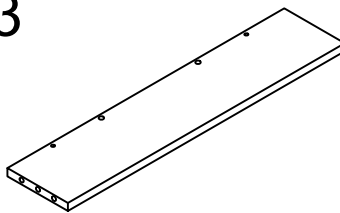
UPPER BACK RAIL-1PC

22



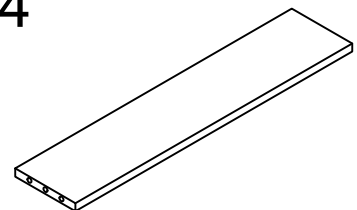
MIDDLE BACK RAIL-1PC

23



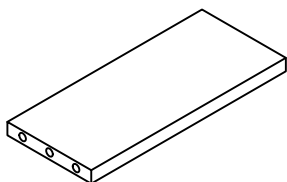
LOWER BACK RAIL-1PC

24



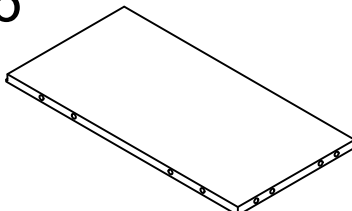
MIDDLE FRONT RAIL-1PC

25



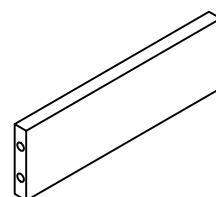
SIDE FRONT RAIL-2PCS

26



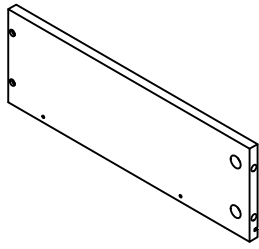
BOTTOM PANEL-2PCS

27



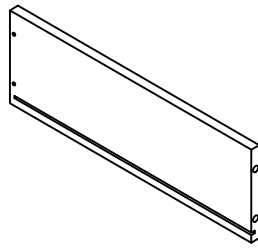
BOTTOM RAIL PANEL-2PCS

28



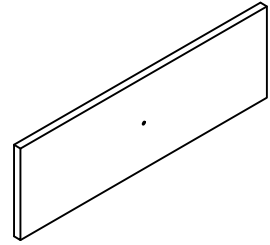
LEFT SIDE DRAWER-9PC

29



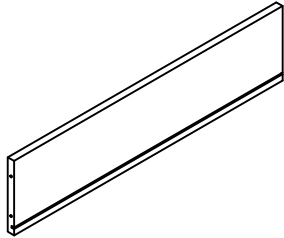
RIGTH SIDE DRAWER-9PC

30



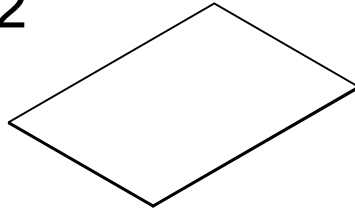
FRONT MIDDLE DRAWER-1PC

31



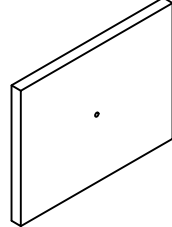
BACK MIDDLE DRAWER-1PC

32



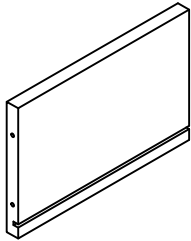
BOTTOM MIDDLE DRAWER-1PC

33



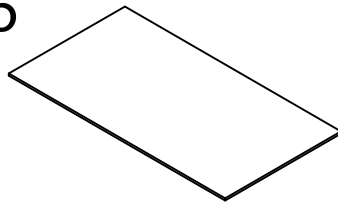
FRONT SIDE DRAWER-8PCS

34



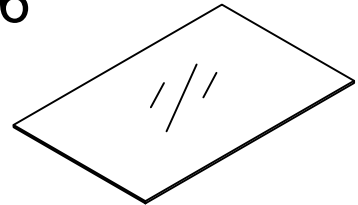
BACK SIDE DRAWER-8PCS

35



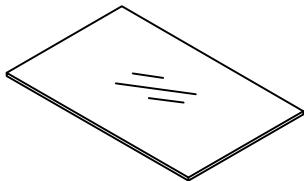
BOTTOM SIDE DRAWER-8PCS

36



TEMPE GLASS-1PC

37



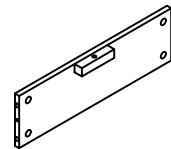
TEMPE GLASS-2PCS

38



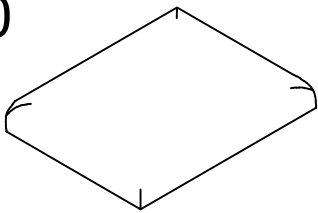
CHAIR SIDE PANEL-2PCS

39



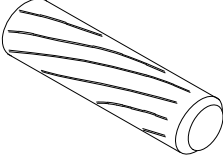
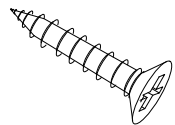
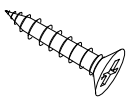
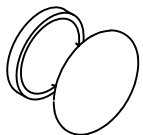
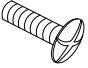
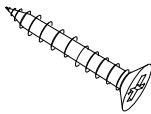
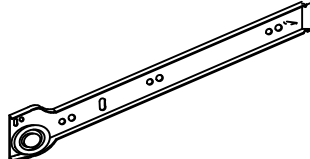
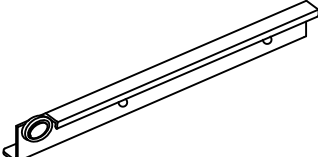
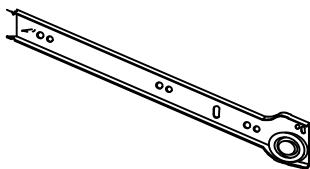
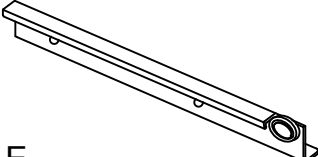


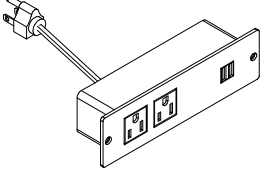
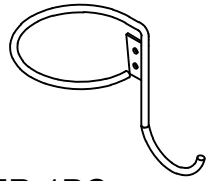
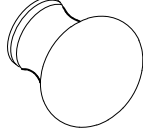
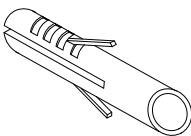
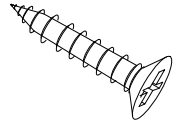
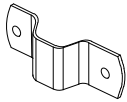
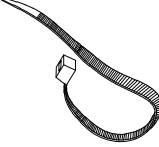


CHAIR  
FRONT/BACK PANEL-2PCS

40



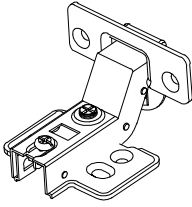
SEAT FRAME-1PC

<p><b>A</b></p>  <p>CAM-BOLTS - 48PCS</p>	<p><b>B</b></p>  <p>CAM-LOCKS-48PCS</p>	<p><b>C</b></p>  <p>DOWELS-92PCS</p>
<p><b>D</b> <span style="float: right;">Ø8*30mm</span></p>  <p>SCREWS - 29PCS</p>	<p><b>E</b> <span style="float: right;">Ø6*12mm</span></p>  <p>SCREWS - 174PCS</p>	<p><b>F</b></p>  <p>KNOB - 9PCS</p>
<p><b>G</b> <span style="float: right;">Ø8*15mm</span></p>  <p>BOLT - 9PCS</p>	<p><b>H</b> <span style="float: right;">Ø6*25mm</span></p>  <p>SCREW - 36PCS</p>	<p><b>I</b></p>  <p>FEMALE SLIDING LEFT-9PCS</p>
<p><b>J</b></p>  <p>MALE SLIDING LEFT-9PCS</p>	<p><b>K</b></p>  <p>FEMALE SLIDING RIGHT-9PCS</p>	<p><b>L</b></p>  <p>MALE SLIDING RIGHT-9PCS</p>
<p><b>M</b></p>  <p>SMALL CAM-BOLTS - 36PCS</p>	<p><b>N</b></p>  <p>SMALL CAM-LOCKS - 36PCS</p>	<p><b>O</b></p>  <p>SOCKET-1PC</p>
<p><b>P</b></p>  <p>HANGER-1PC</p>	<p><b>Q</b></p>  <p>LED LIGHT - 10PCS</p>	<p><b>R</b></p>  <p>ANCHORS-4PCS</p>
<p><b>S</b> <span style="float: right;">Ø8*38mm</span></p>  <p>SCREW-4PCS</p>	<p><b>T</b></p>  <p>HOOKS-4PCS</p>	<p><b>U</b></p>  <p>PLASTIC BELTS-2PCS</p>

**NOTE: THE SURFACE WITH THE STICKER IS THE BACK SIDE.**

**V**

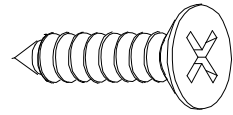
CAM TOOL-1PC

**W**

HINGES-4PCS

**X**

Ø7\*15mm

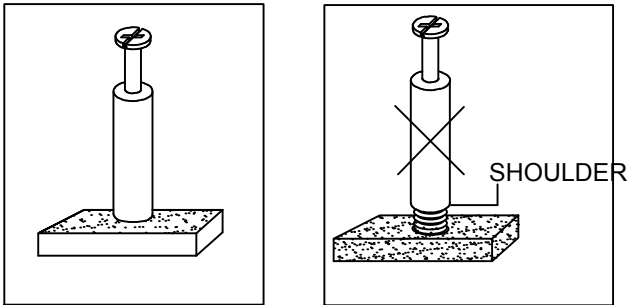


SCREWS-24PCS

**Y****Z**

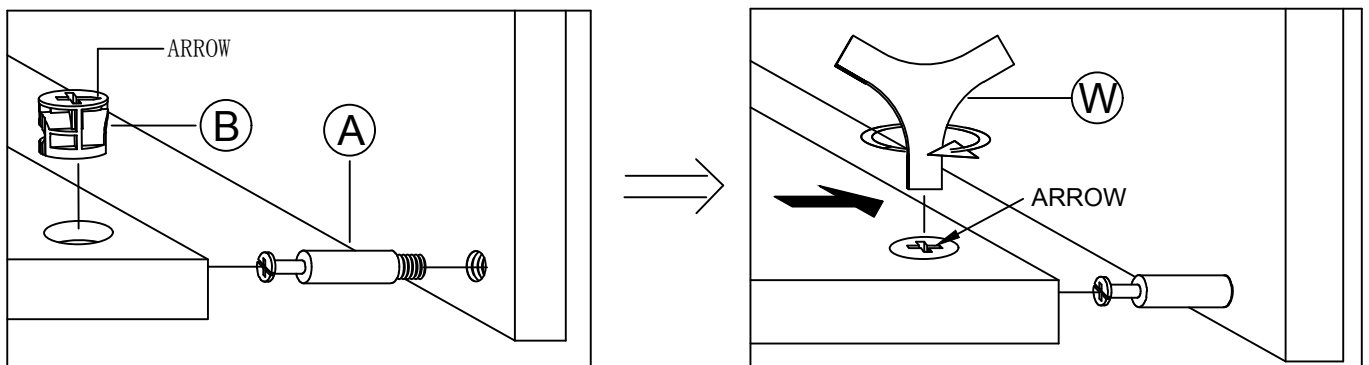
NOTE: THE SURFACE WITH THE STICKER IS THE BACK SIDE.

NOTE: ● UPON OPENING, THOROUGHLY CLEAN ALL WOOD SURFACES TO REMOVE DUST AND DIRT THAT MAY HAVE SETTLED ONTO FINISH DURING SHIPMENT. IN ORDER TO PREVENT DAMAGE DURING ASSEMBLY, PLEASE ASSEMBLE THIS ITEM WITH AT LEAST TWO PEOPLE.

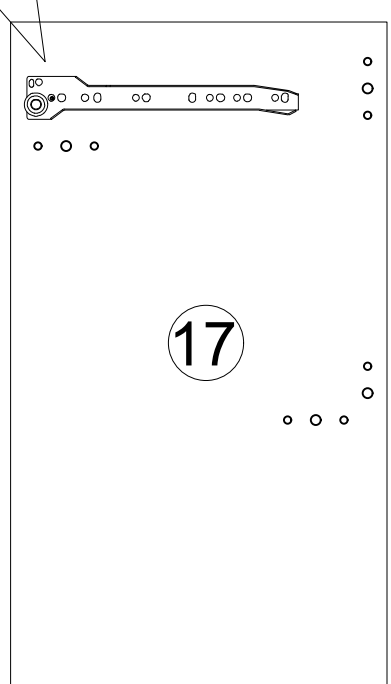
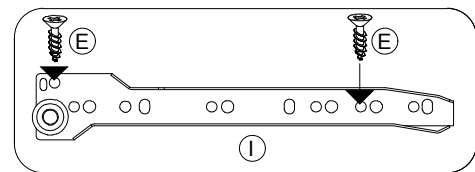
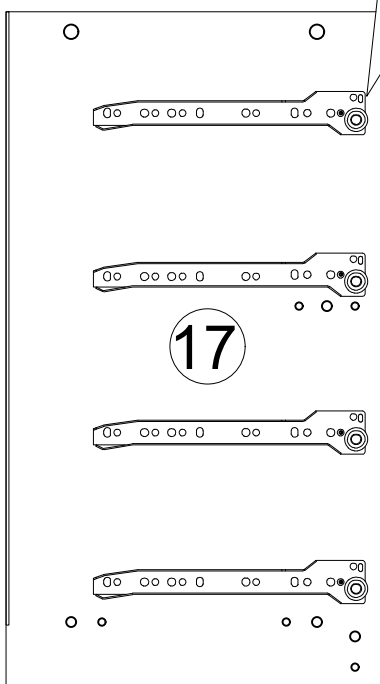
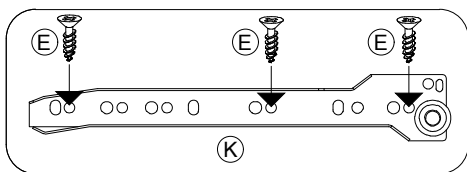
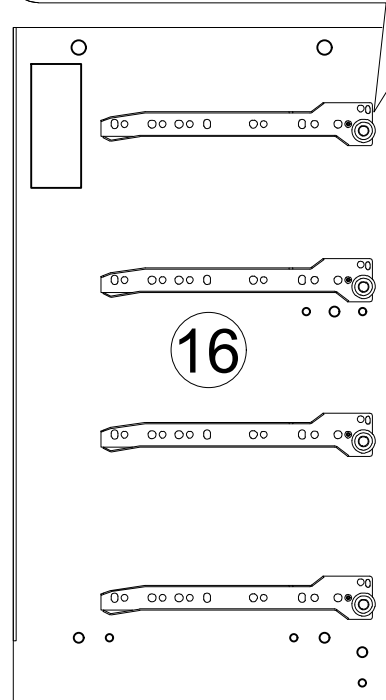
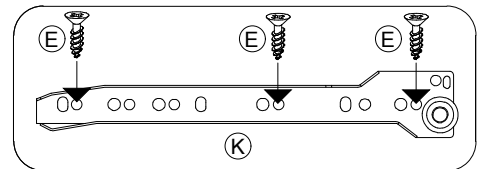
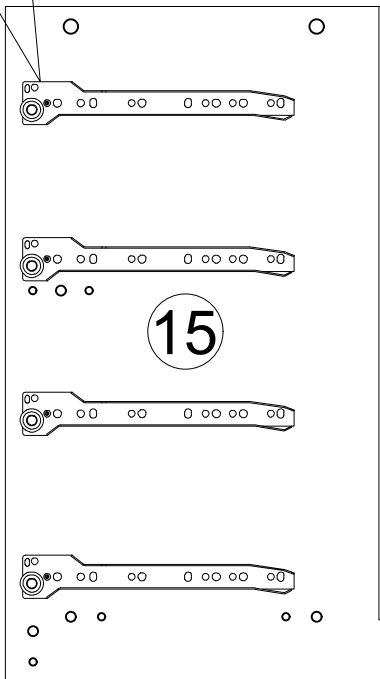
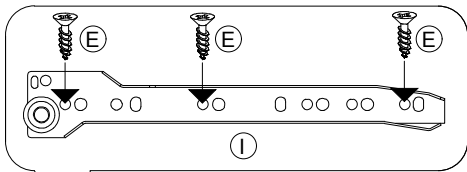


NOTE: TURN THE CAM-BOLT SCREWS UNTIL THEY ARE TIGHT, THE SHOULDER SHOULD BE AGAINST THE SURFACE OF THE PART.

## HOW TO USE THE CAM-TOOL



NOTE: ● THE ARROWS ON THE HIDDEN CAM-LOCKS SHOULD POINT TO THE CAM-BOLTS

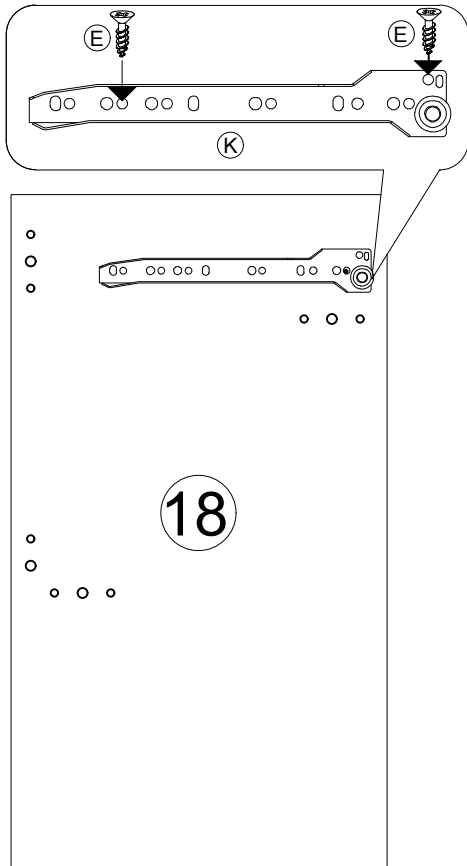


## LEFT SIDE

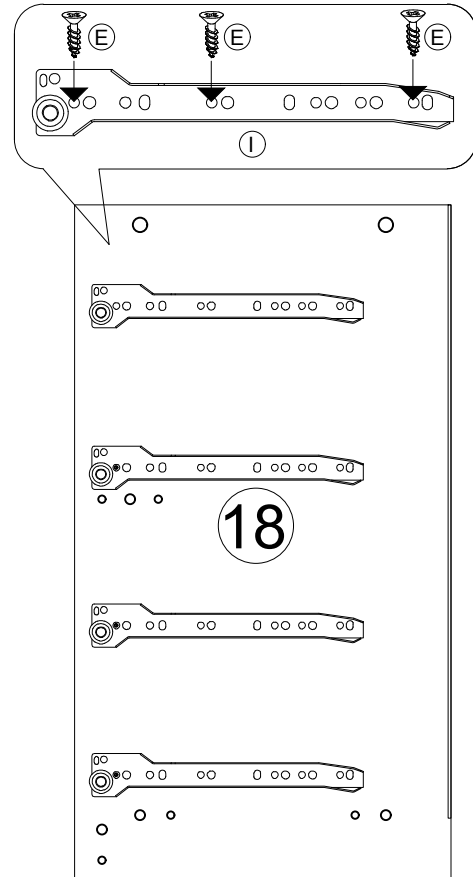
## RIGHT SIDE

1). ASSEMBLE THE FEMALE SLIDING (I/K).

- PLACE THE FEMALE SLIDING (I/K) INTO THE HOLES IN THE PANEL (15/16/17/18) AND ATTACH USING 54 SCREW (E).



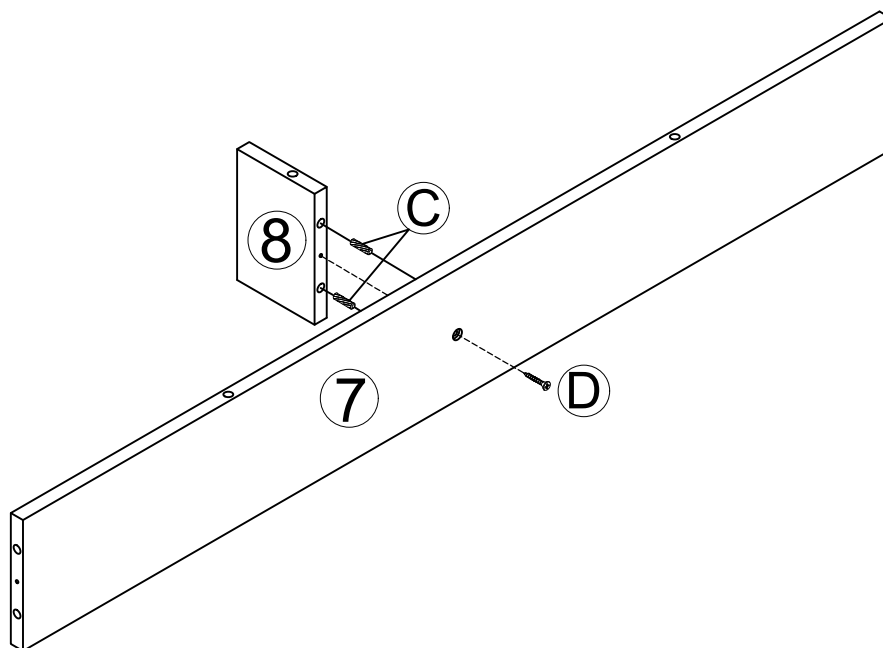
**LEFT SIDE**



**RIGHT SIDE**

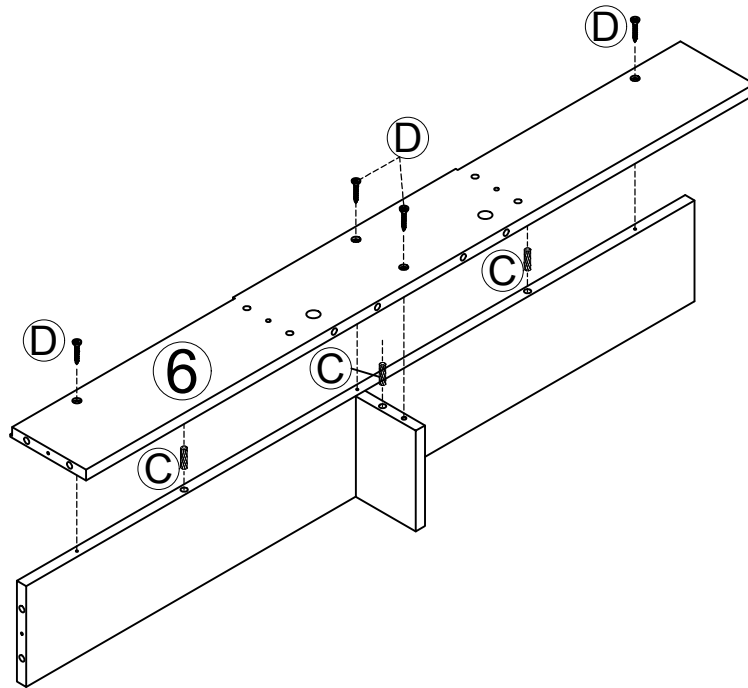
1).ASSEMBLE THE FEMALE SLIDING (I/K).

- PLACE THE FEMALE SLIDING (I/K) INTO THE HOLES IN THE PANEL (15/16/17/18) AND ATTACH USING 54 SCREW (E).



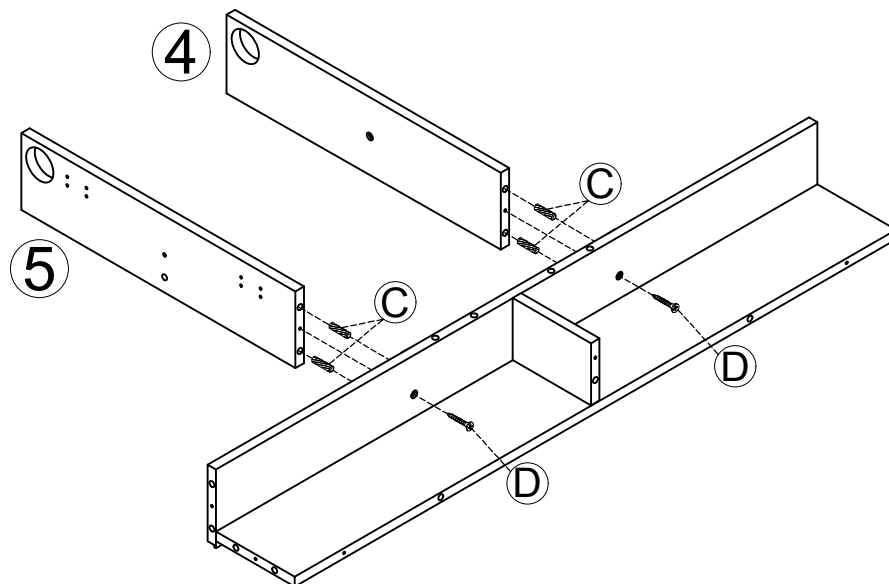
2).ASSEMBLE THE PANEL (7/8).

- PLACE THE PANEL (8) AND 2 DOWELS (C) INTO THE HOLES IN THE PANEL (7) AND ATTACH USING 1 SCREW (D).



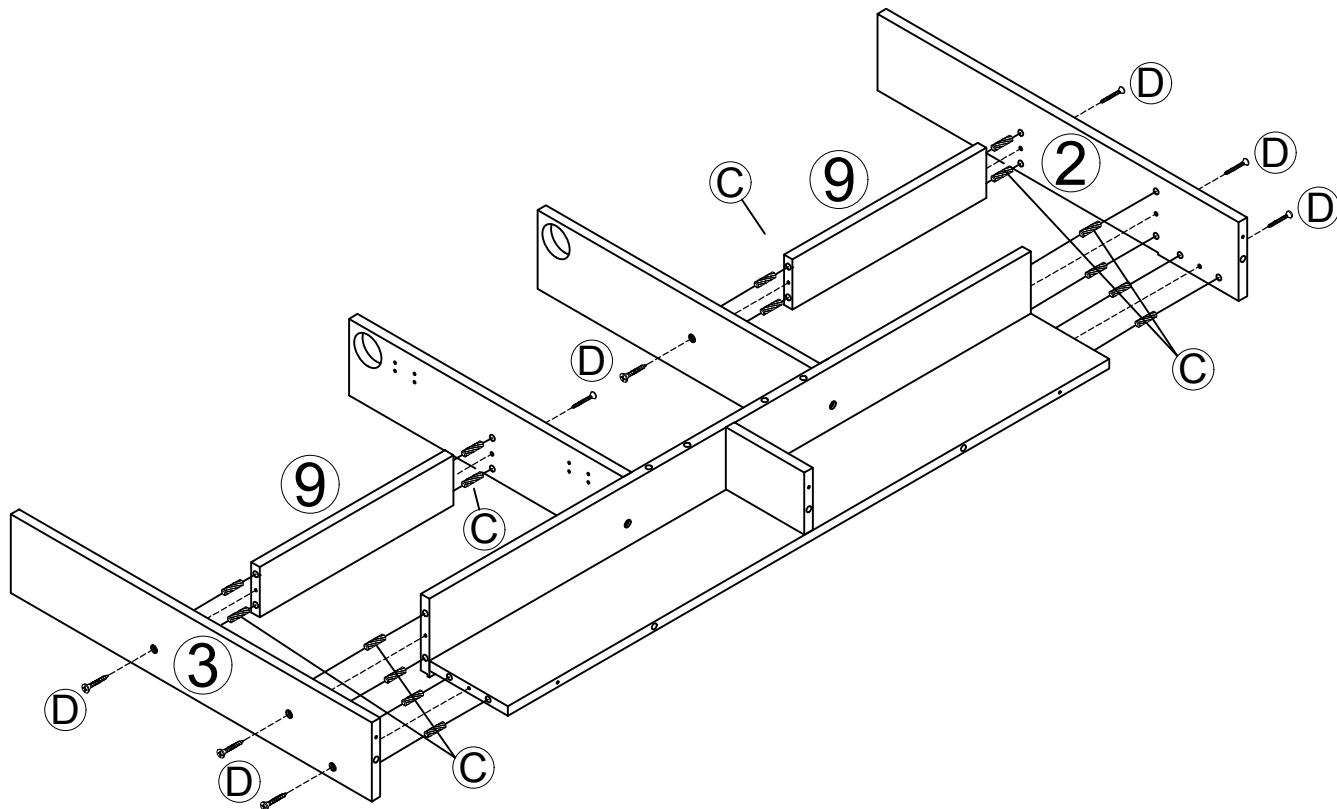
3).ASSEMBLE THE PANEL (6).

- PLACE THE PANEL (6) AND 3 DOWELS (C) INTO THE HOLES IN THE PANEL (7/8) AND ATTACH USING 4 SCREWS (D).



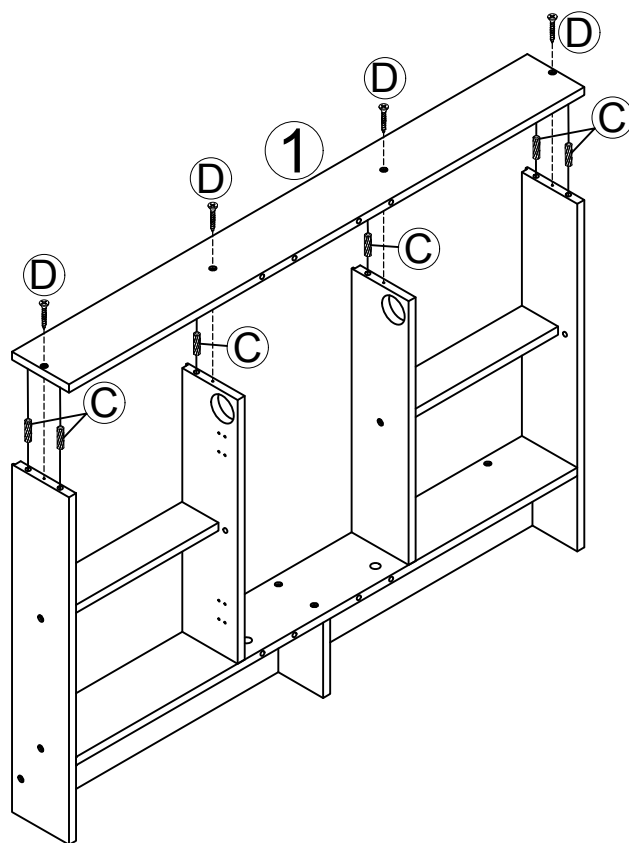
4).ASSEMBLE THE PANEL (4/5)

- PLACE THE PANEL (4/5) AND 4 DOWELS (C) INTO THE HOLES IN THE PANEL (6) AND ATTACH USING 2 SCREWS (D).



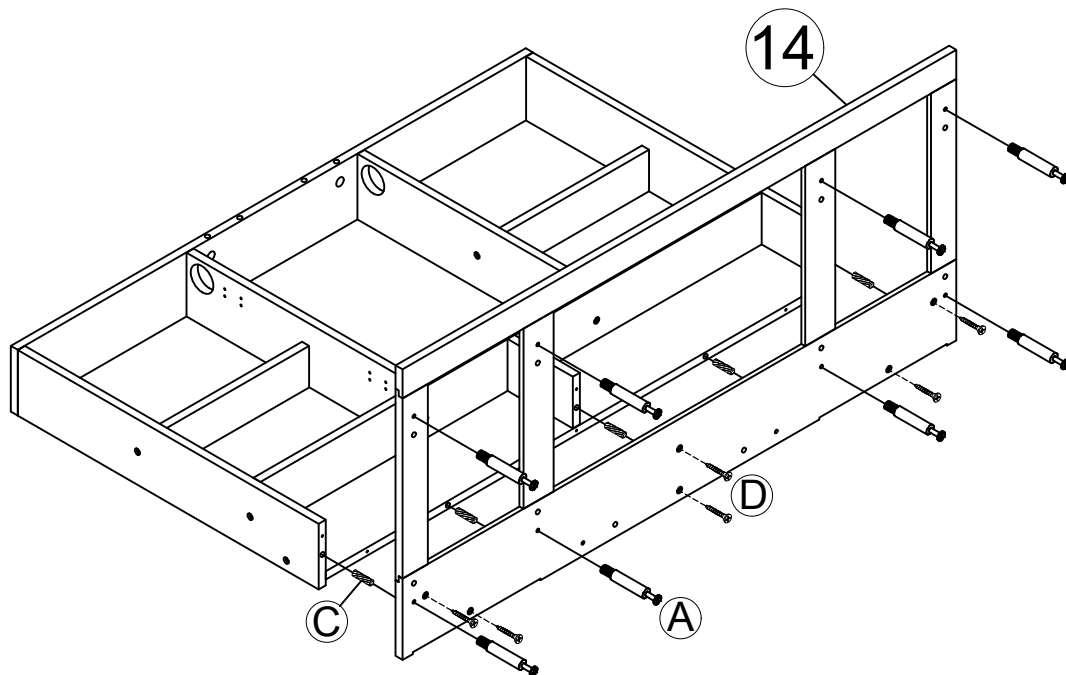
5).ASSEMBLE THE PANEL (2/3/9).

- PLACE THE PANEL (2/3/9) AND 16 DOWELS (C) INTO THE HOLES IN THE PANEL (4/5/6/7) AND ATTACH USING 8 SCREWS (D).



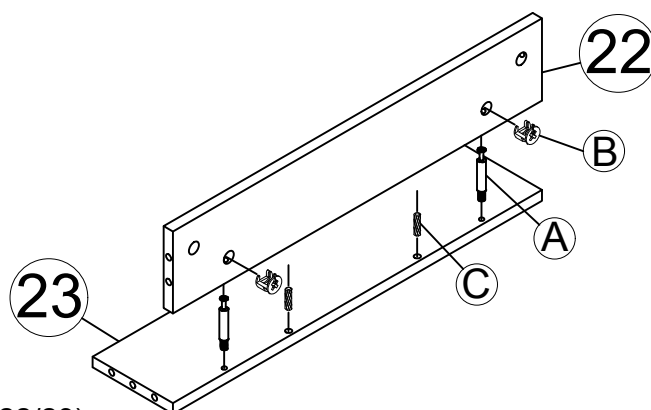
6).ASSEMBLE THE PANEL (1).

- PLACE THE PANEL (1) AND 6 DOWELS (C) INTO THE HOLES IN THE PANEL (2/3/4/5) AND ATTACH USING 4 SCREWS (D).



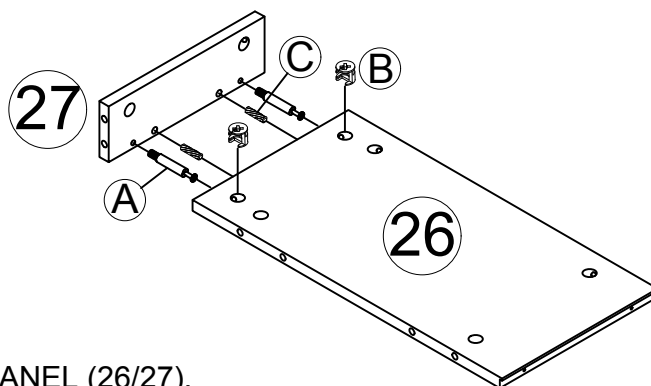
**7).ASSEMBLE THE PANEL (14).**

- ROTATE THE 8 CAM-BOLTS (A) INTO THE HOLES IN THE TOP PANEL(14).
- PLACE THE PANEL (14) AND 5 DOWELS (C) INTO THE HOLES IN THE PANEL (2/3/7/8) AND ATTACH USING 6 SCREWS (D).



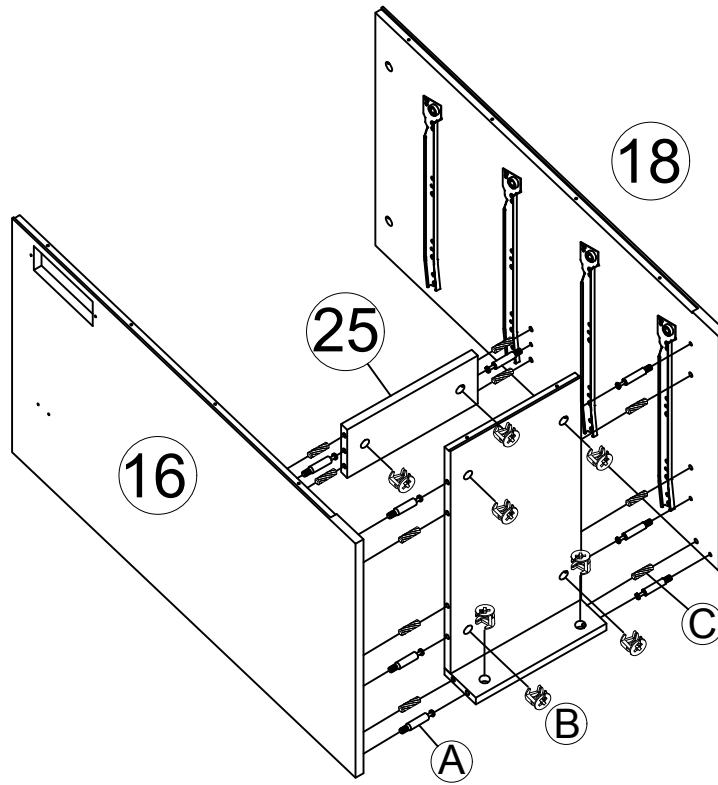
**8).ASSEMBLE THE PANEL (22/23).**

- ROTATE 2 CAM-BOLTS(A) INTO THE HOLES IN THE PANEL (23).
- PLACE THE PANEL (22) AND 2 DOWELS (C) INTO THE HOLES IN THE PANEL (23) AND ATTACH USING 2 CAM-LOCKS (B).



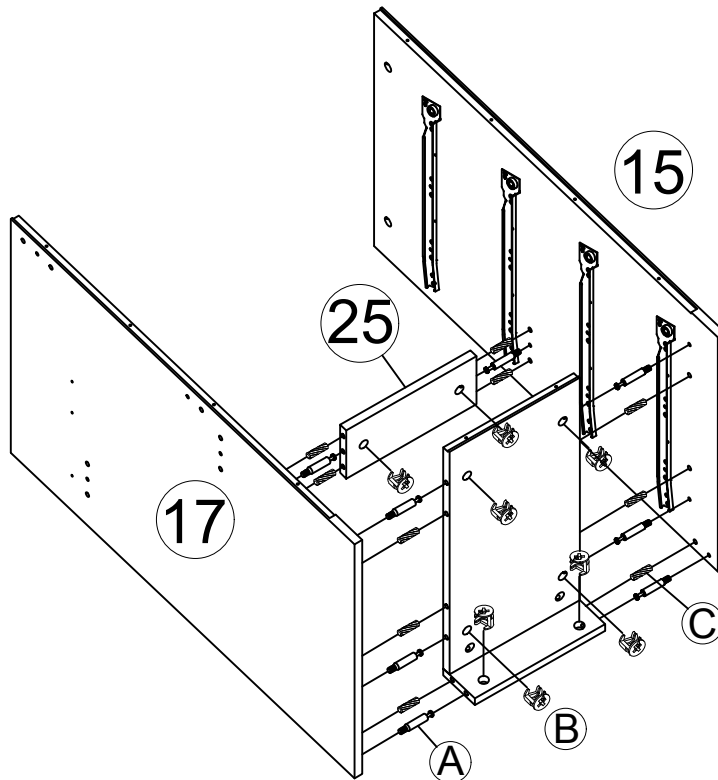
**9).ASSEMBLE THE PANEL (26/27).**

- ROTATE 2 CAM-BOLTS(A) INTO THE HOLES IN THE PANEL (27).
- PLACE THE PANEL (26) AND 2 DOWELS (C) INTO THE HOLES IN THE PANEL (27) AND ATTACH USING 2 CAM-LOCKS (B).



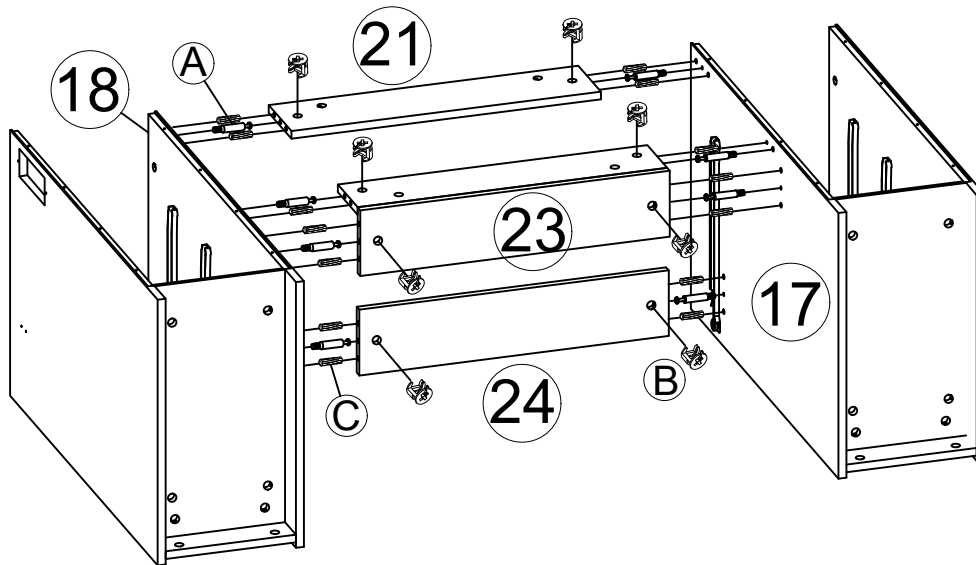
**10).ASSEMBLE THE PANEL (16/18/25).**

- ROTATE 8 CAM-BOLTS (A) INTO THE HOLES IN THE PANEL (16/18).
- PLACE THE PANEL (16/18) AND 10 DOWELS (C) INTO THE HOLES IN THE FRAME (25/26) AND ATTACH USING 8 CAM-LOCKS (B).



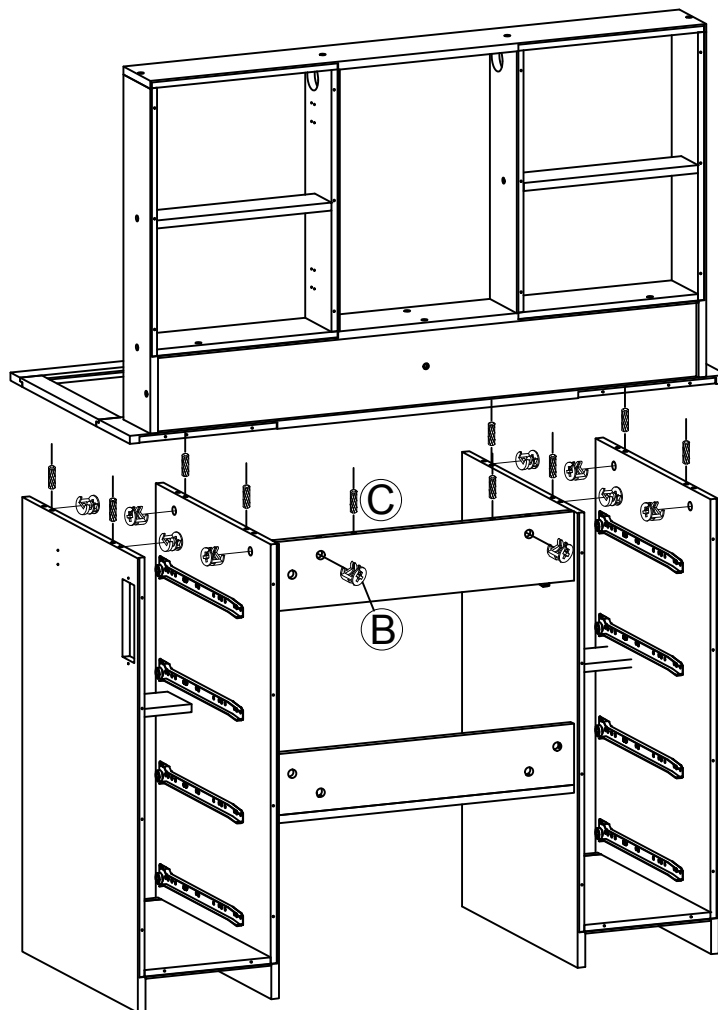
**11).ASSEMBLE THE PANEL (15/17/25).**

- ROTATE 8 CAM-BOLTS (A) INTO THE HOLES IN THE PANEL (15/17).
- PLACE THE PANEL (15/17) AND 10 DOWELS (C) INTO THE HOLES IN THE FRAME (25/26) AND ATTACH USING 8 CAM-LOCKS (B).



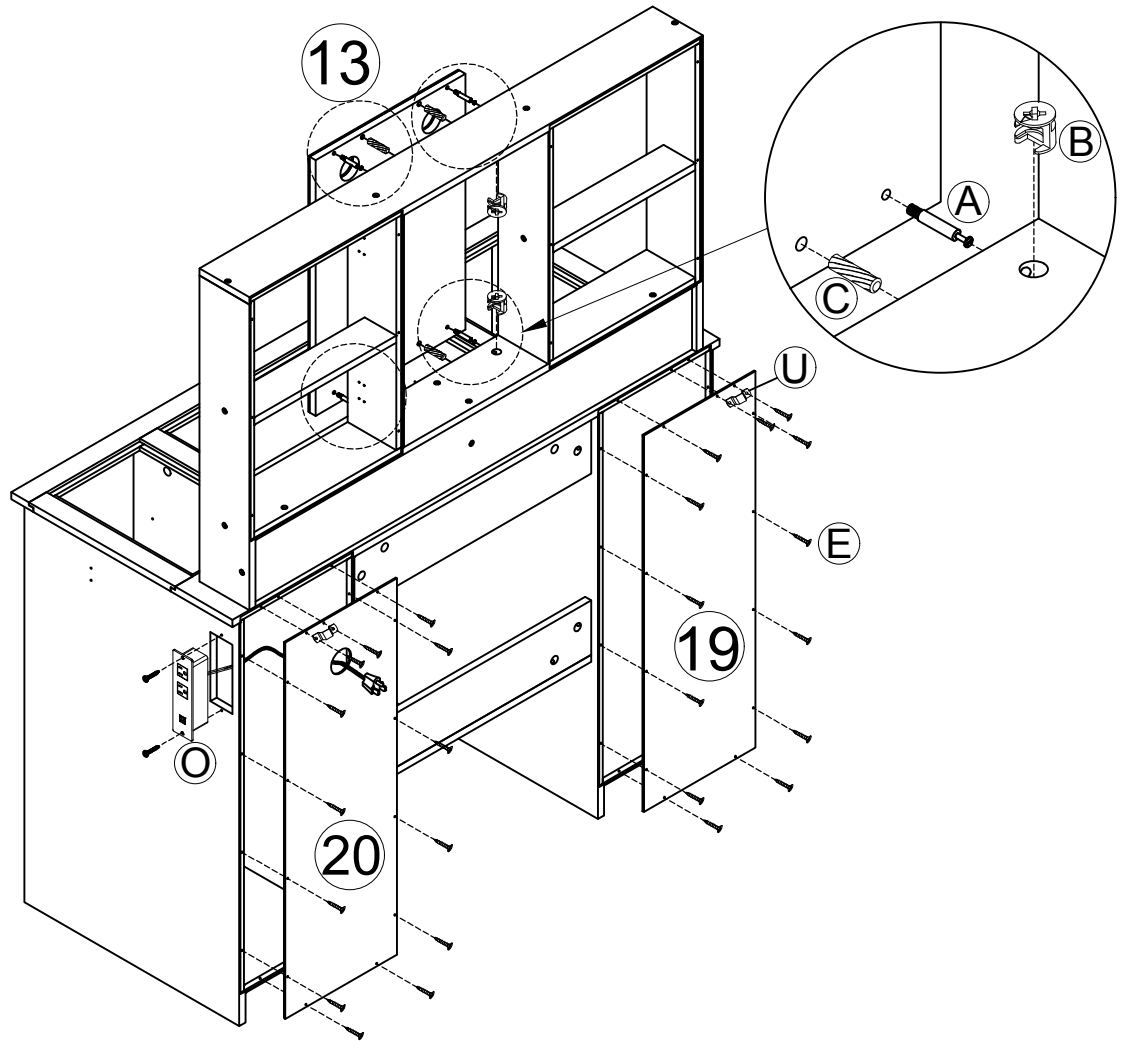
**12).ASSEMBLE THE PANEL (21/24).**

- ROTATE 8 CAM-BOLTS (A) INTO THE HOLES IN THE PANEL (17/18).
- PLACE THE PANEL (21/22/23/24) AND 14 DOWELS (C) INTO THE HOLES IN THE FRAME (17/18) AND ATTACH USING 8 CAM-LOCKS (B).



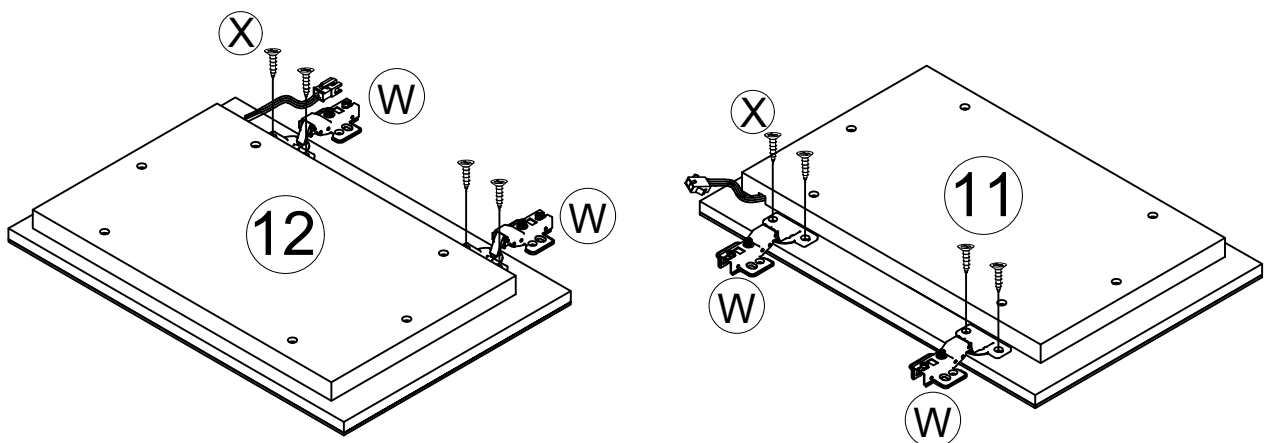
**13).ASSEMBLE THE TOP FRAME AND MAIN BODY.**

- PLACE THE TOP FRAME (14) AND 10 DOWELS (C) INTO THE HOLES IN MAIN BODY (15/16/17/18/21) AND ATTACH USING 10 CAM-LOCKS (B).



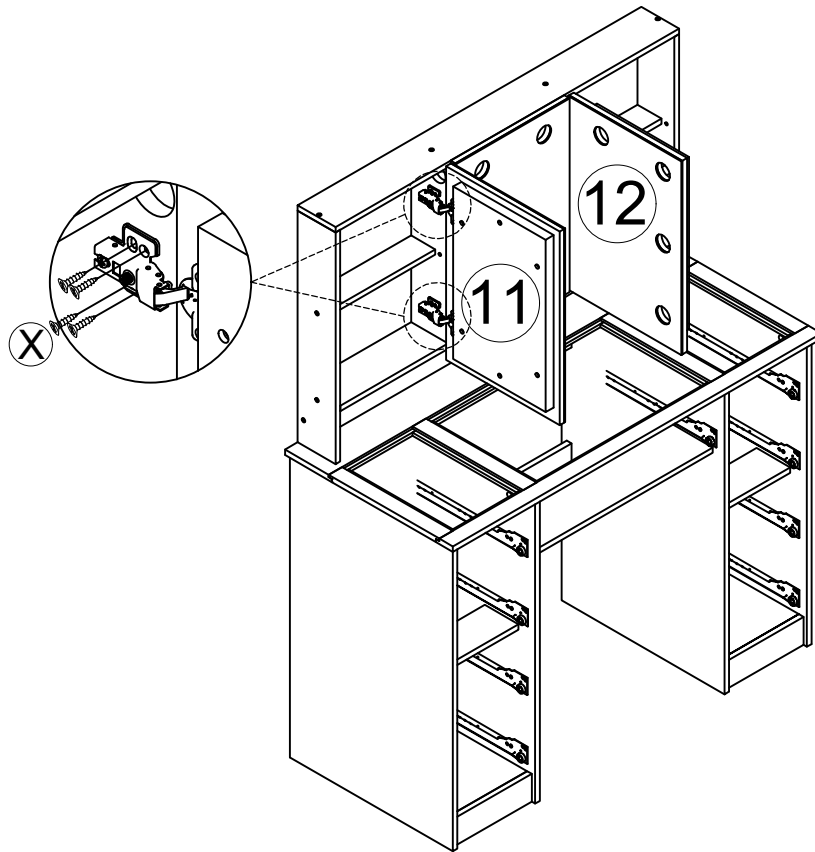
**14).ASSEMBLE THE PANEL (13/19/20).**

- ROTATE 4 CAM-BOLTS (A) INTO THE HOLES IN THE PANEL (10).
- PLACE THE PANEL (13) AND 4 DOWELS (C) INTO THE HOLES IN THE FRAME (1/4/5/6) AND ATTACH USING 4 CAM-LOCKS (B).
- PLACE THE PANEL (19/20), SOCKET (O) AND 2 HOOK (U) INTO THE HOLES IN THE MAIN BODY AND ATTACH USING 28 SCREWS (E).



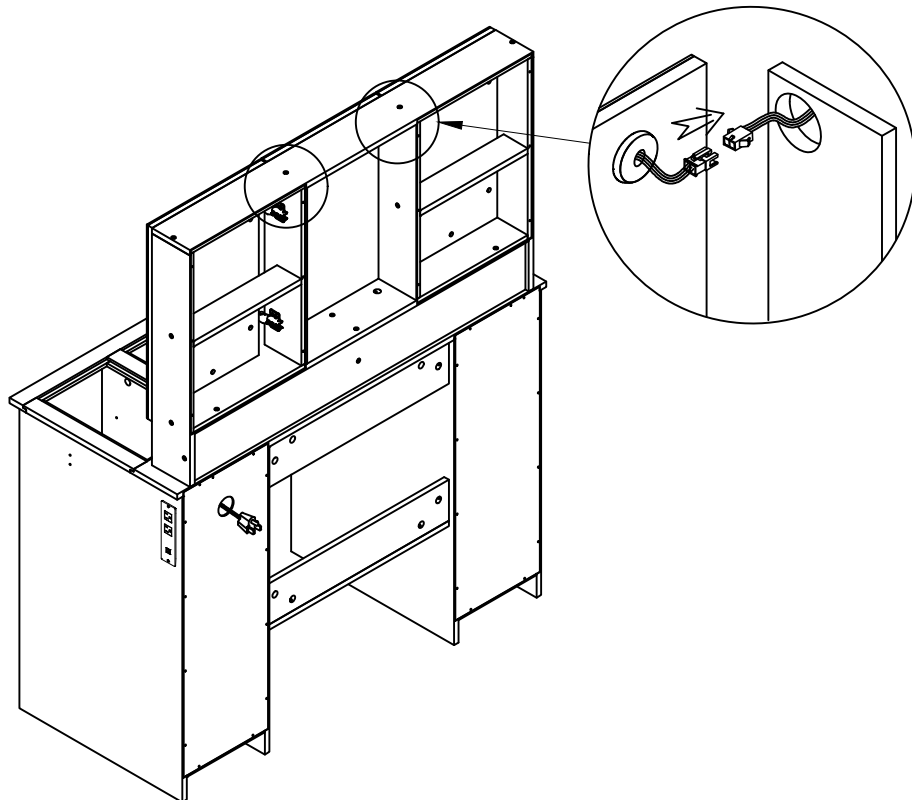
**15).ASSEMBLE THE DOOR (11/12) AND HINGES (W).**

- PLACE THE HINGES (W) INTO THE HOLES IN THE PANEL (11/12) AND ATTACH USING 8 SCREWS (X).



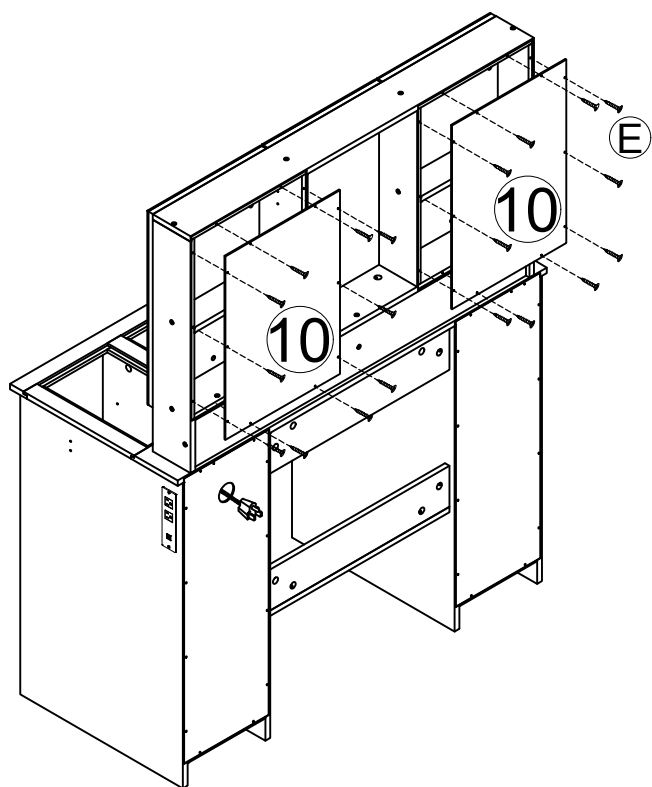
16).ASSEMBLE THE DOOR (11/12)

- PLACE THE DOOR (11/12) INTO THE HOLES IN THE MAIN BODY AND ATTACH USING 16 SCREWS (X)



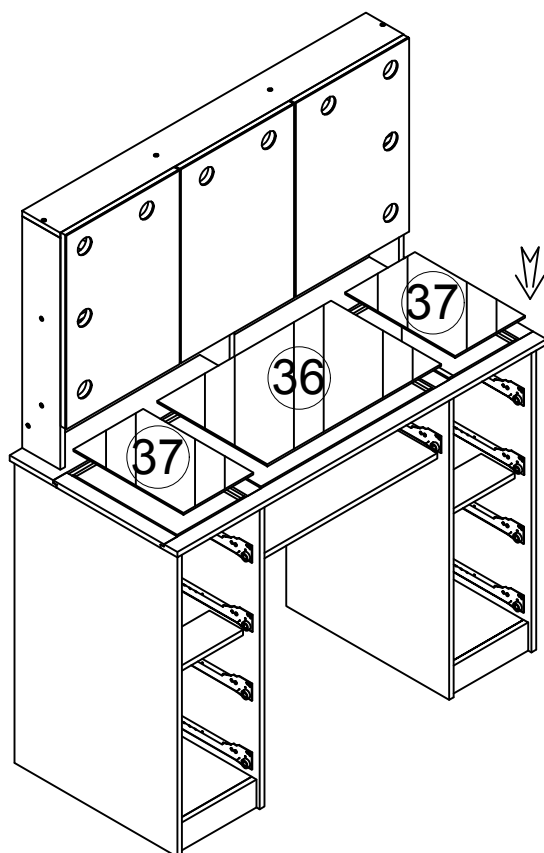
17).CONNECT THE WIRES

- CONNECT THE WIRES IN THE DOOR (11/12) INTO THE WIRES IN THE MIDDLE PANEL (13).



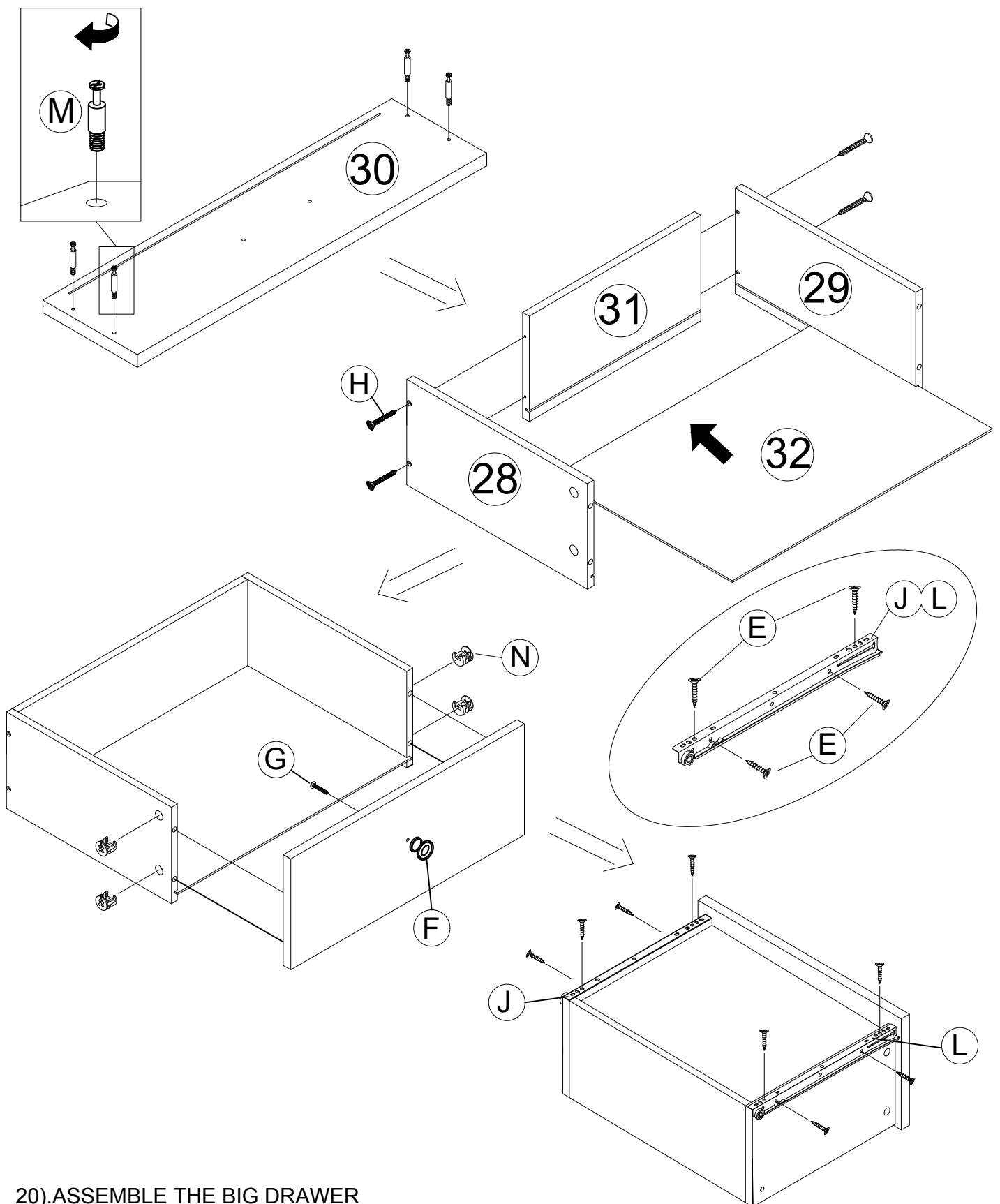
18).ASSEMBLE THE PANEL (10)

- PLACE THE PANEL (10) INTO THE HOLES IN THE MAIN BODY AND ATTACH USING 20 SCREWS (E)



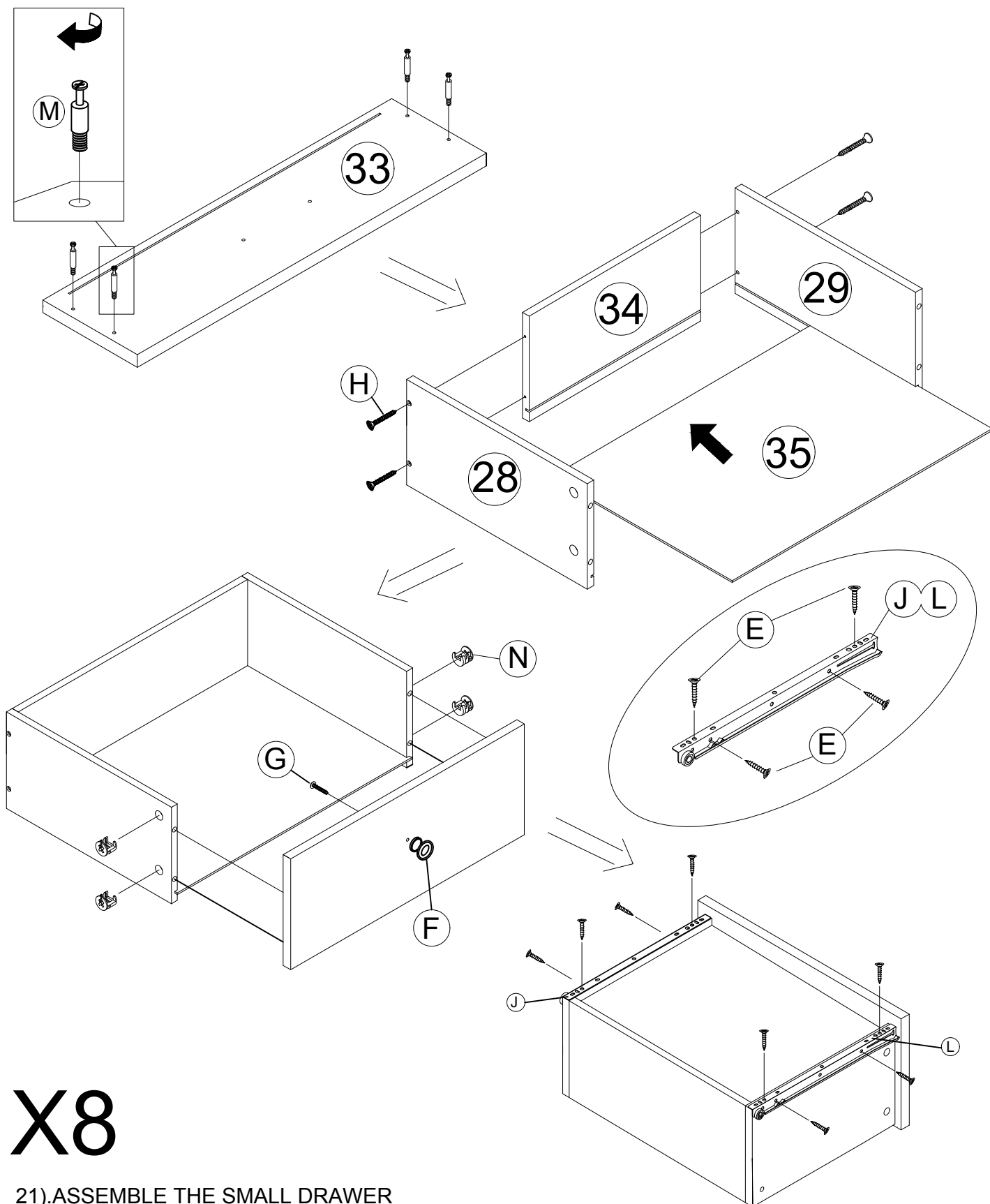
19).ASSEMBLE THE GLASS (36/37)

- PLACE THE GLASS (36/37) INTO THE HOLES IN THE MAIN BODY.



## 20).ASSEMBLE THE BIG DRAWER

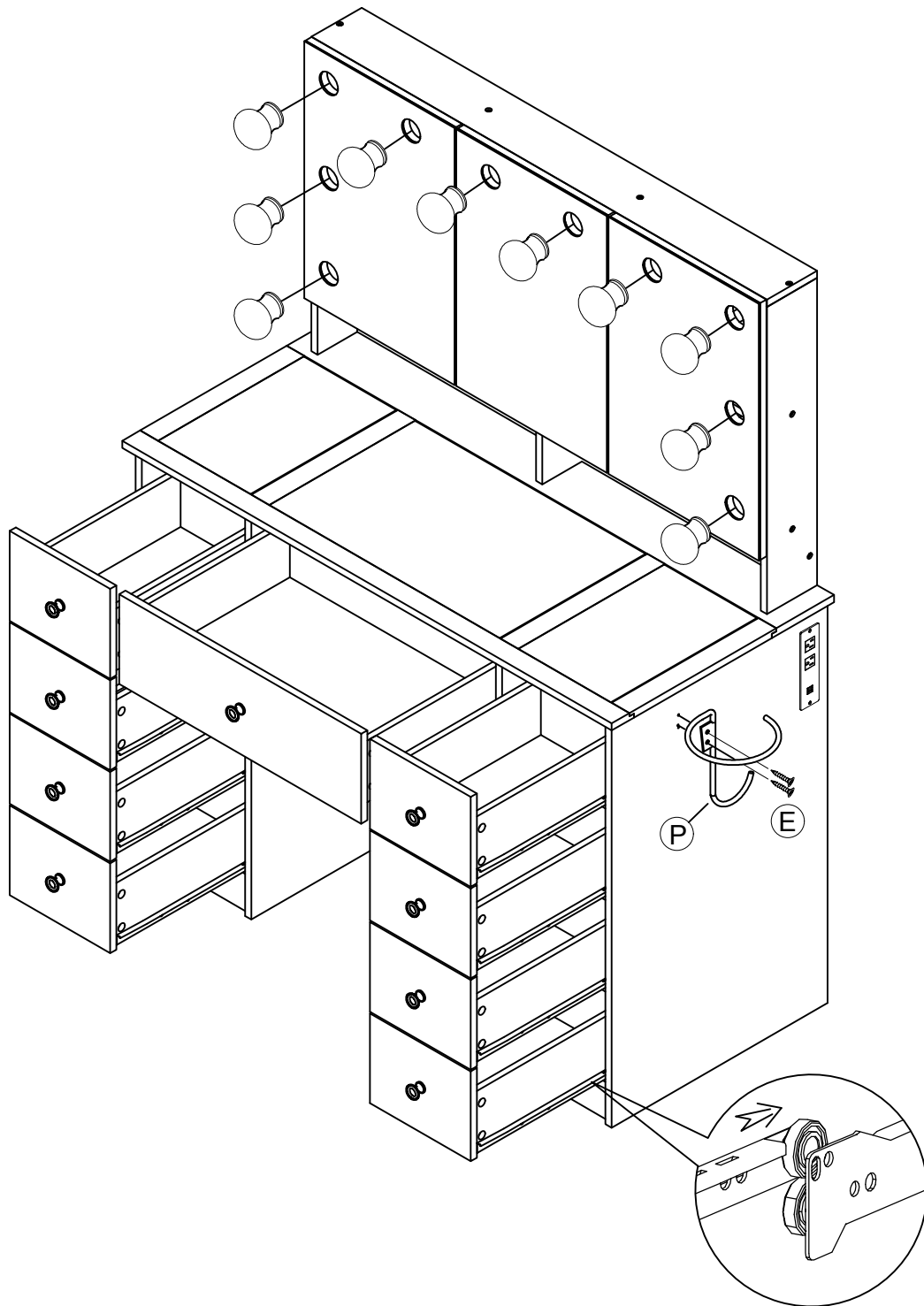
- ROTATE 4 SMALL CAM-BOLTS (M) INTO THE HOLES IN THE BIG DRAWER FRONT PANEL(30).
- ATTACH THE DRAWER BACK (31) AND DRAWER LEFT/RIGHT (28/29) USING 4 SCREWS (H).
- PLACE THE BIG DRAWER FRONT PANEL (30) INTO THE HOLES IN THE DRAWER LEFT/RIGHT (28/29) AND ATTACH USING 4 SMALL CAM-LOCKS (N).
- PLACE THE SLIDING (J),(L) INTO THE HOLES IN THE DRAWER SIDE PANEL(28/29) AND USING 8 SCREWS (E).



# X8

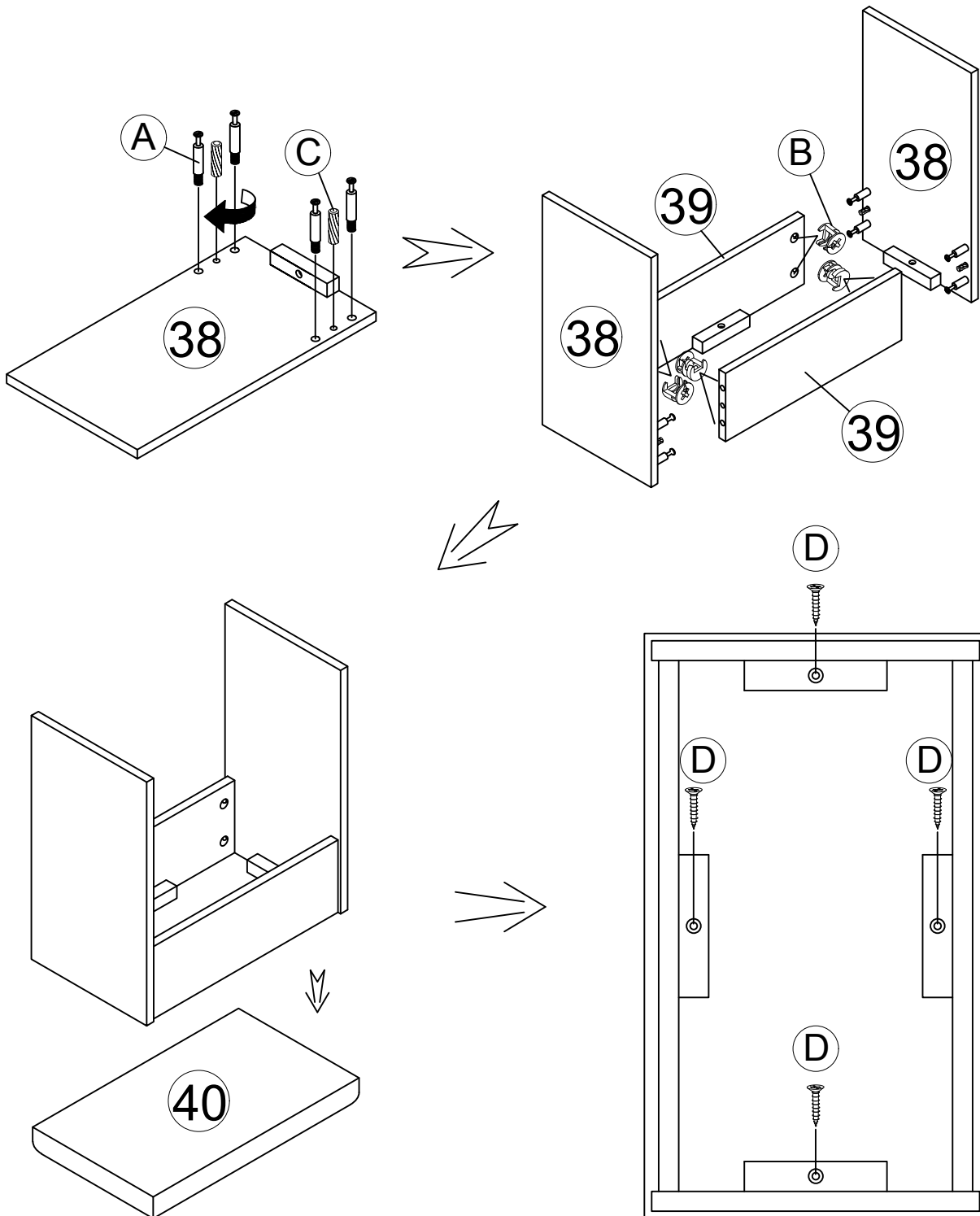
## 21).ASSEMBLE THE SMALL DRAWER

- ROTATE 32 SMALL CAM-BOLTS (M) INTO THE HOLES IN THE BIG DRAWER FRONT PANEL(33).
- ATTACH THE DRAWER BACK (34) AND DRAWER LEFT/RIGHT (28/29) USING 32 SCREWS (H).
- PLACE THE BIG DRAWER FRONT PANEL (33) INTO THE HOLES IN THE DRAWER LEFT/RIGHT (28/29) AND ATTACH USING 32 SMALL CAM-LOCKS (N).
- PLACE THE SLIDING (J),(L) INTO THE HOLES IN THE DRAWER SIDE PANEL(28/29) AND USING 64 SCREWS (E).



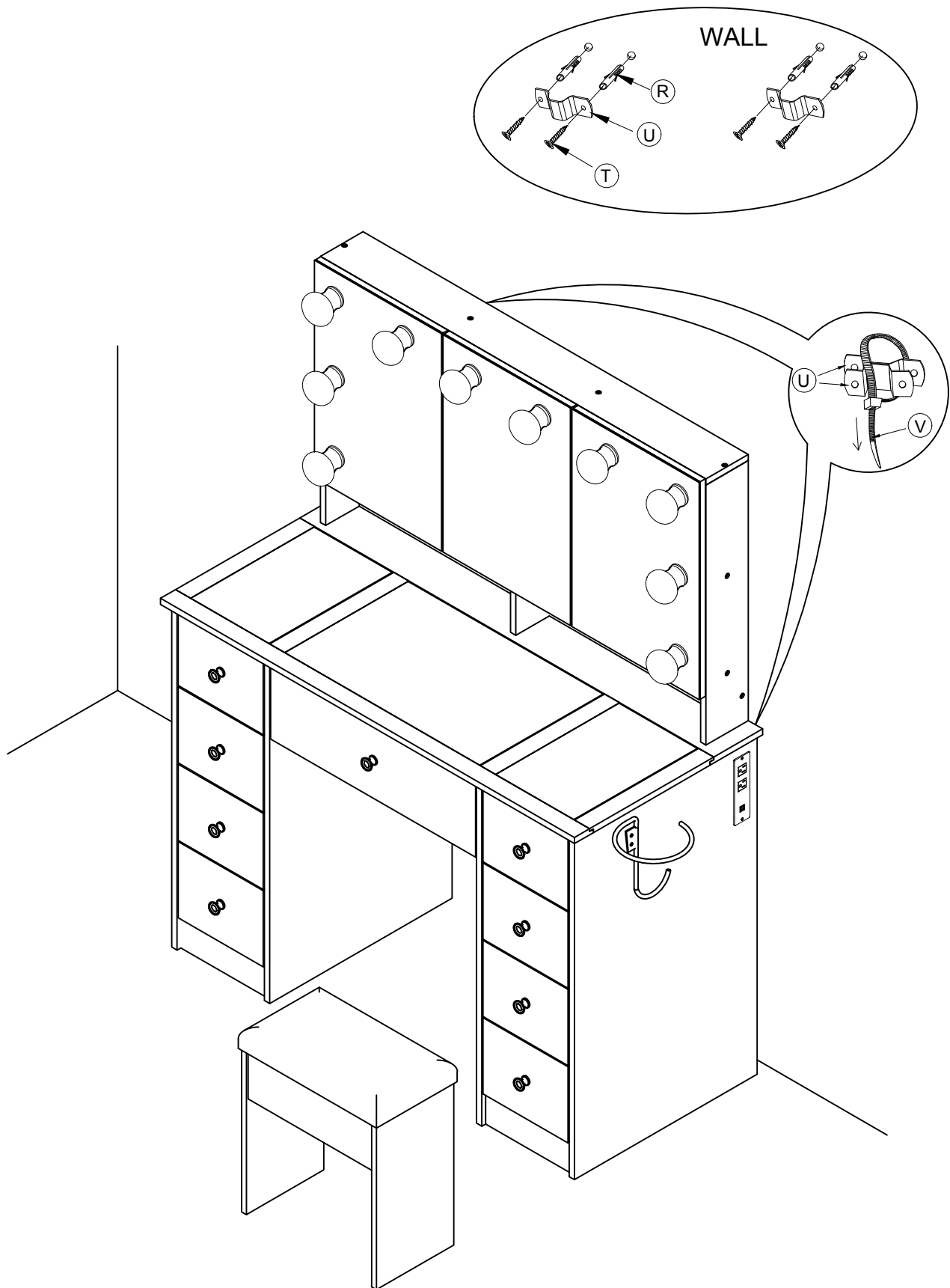
22).ATTACH THE DRAWERS, LED LIGHTS (Q) AND HANGER (P).

- SLIDE THE DRAWERS INTO THE SLIDERS-OUTS.
- ROTATE LED LIGHTS (Q) INTO THE HOLES IN THE MIRROR FRAME (7).
- PLACE THE HANGER (P) INTO THE HOLES IN THE MAIN BODY AND ATTACH USING 2 CREWS (E).



### 23).ASSEMBLE THE STOOL.

- INSERT 4 DOWELS (C) INTO THE HOLES IN THE SIDE CHAIRS (27).
- ROTATE 8 CAM-BOLTS (A) INTO THE HOLES IN THE SIDE CHAIRS (27).
- PLACE THE CAMBOLTS (A) AND DOWELS (C) INTO THE HOLES IN THE FRONT/BACK CHAIRS (28) AND ATTACH USING 8 CAM-LOCKS (B)
- PLACE THE CHAIR BODY IN THE SEAT FRAME (27) AND ATTACH USING 4 SCREWS (D).



**24).ASSEMBLE THE ANTI-TIP HARDWARE.**

- DRILL 4 HOLES INTO THE WALL, PLEASE REFER TO THE REAR TOP FRAME HOLE DISTANCE AND HEIGHT.
- PUT 4 ANCHORS (R) INTO THE HOLES IN THE WALL, AND ROTATE 4 SCREWS (T) INTO THE ANCHORS (R).
- CONNECT THE TWO HOOKS (U) WITH A PLASTIC BELT (V).