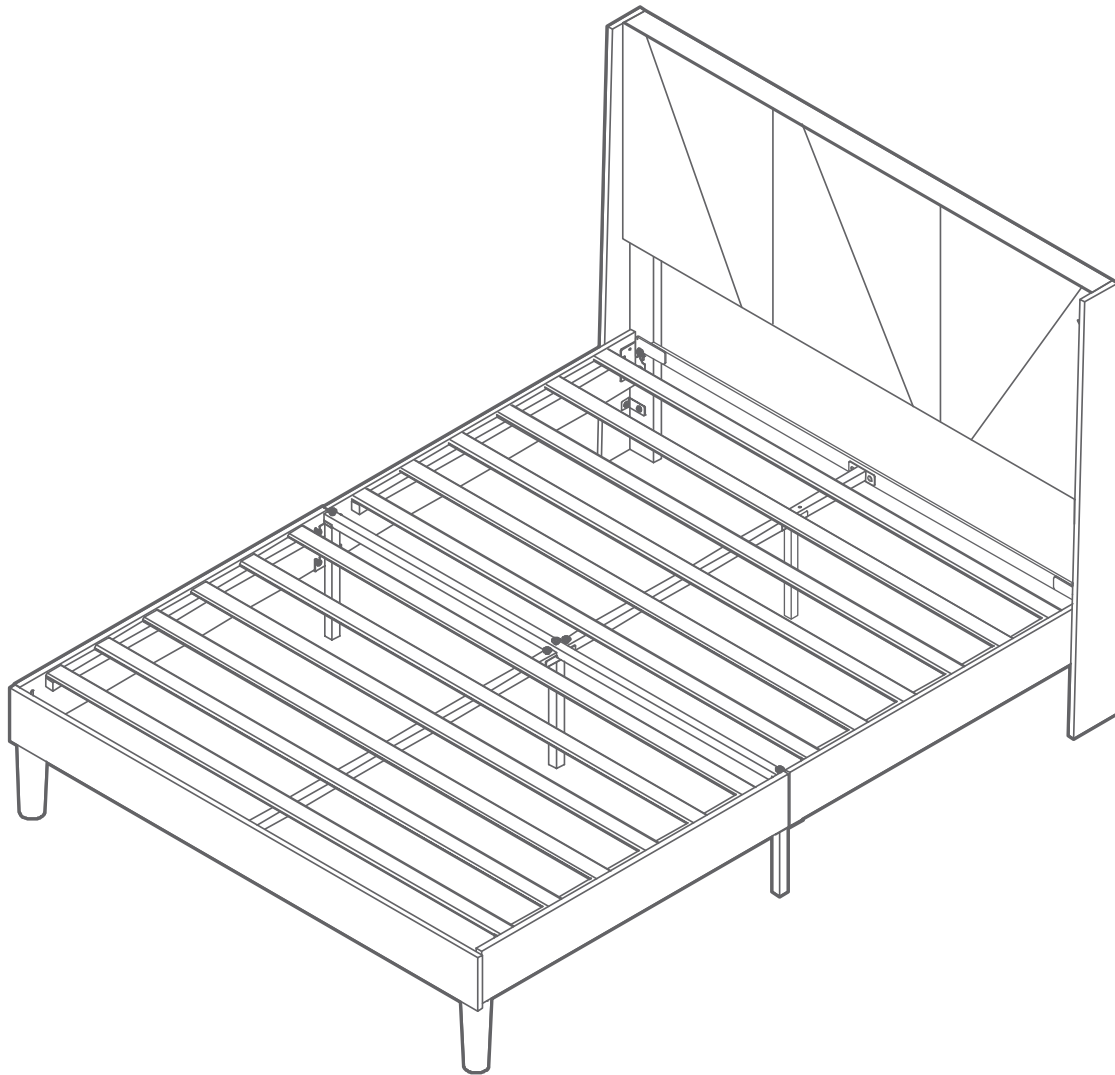


# PLATFORM BED

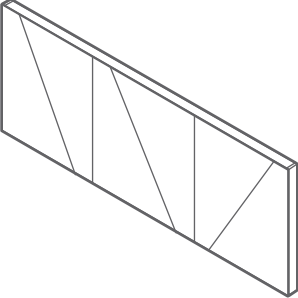
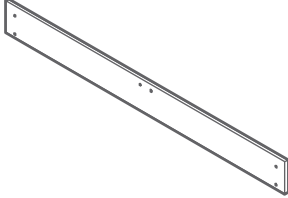
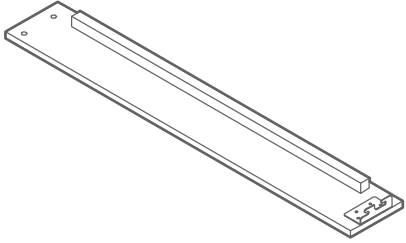
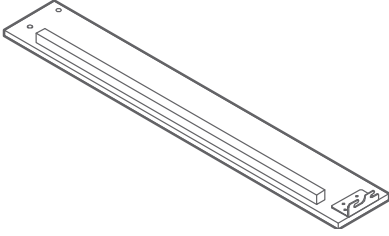
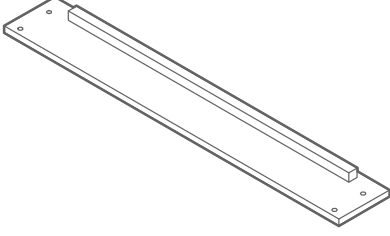
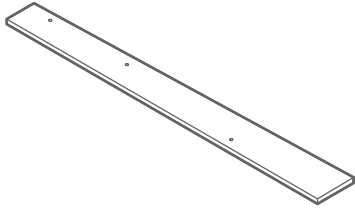
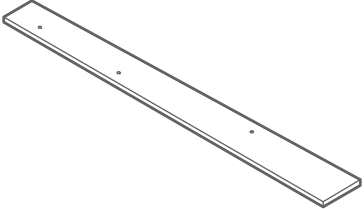
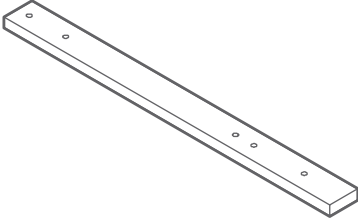
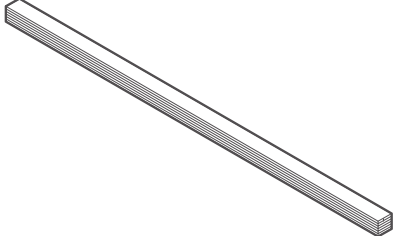
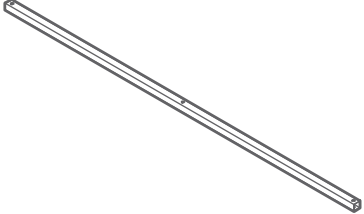
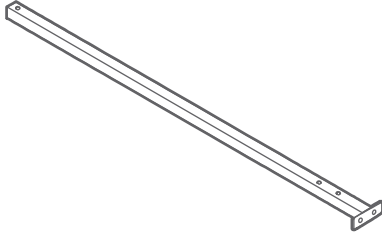
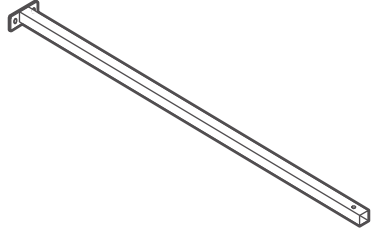


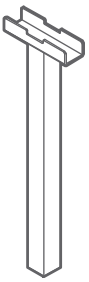
## ORIGINAL INSTRUCTION MANUAL

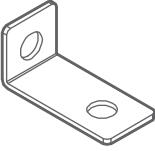
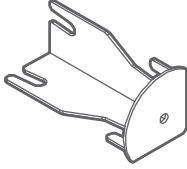
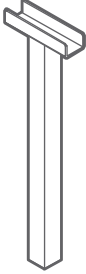
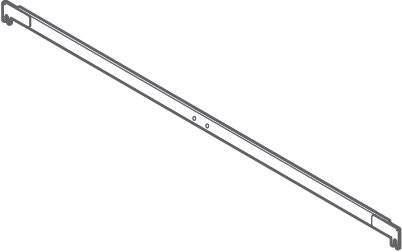
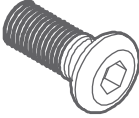

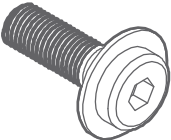
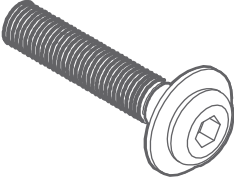
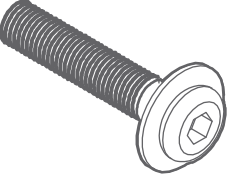
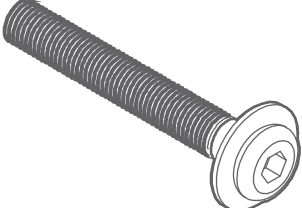



**DEAR CUSTOMER,**

Thank you for choosing our product. Please read this manual carefully before assembling or using the product, to avoid damage caused by improper use. If the product is passed on to third parties, this manual has to be passed on along with the product. For any question don't hesitate to contact us.

# PARTS LIST

<b>A</b>  <b>1×</b>	<b>B</b>  <b>1×</b>	<b>C</b>  <b>1×</b>
<b>D</b>  <b>1×</b>	<b>C1</b>  <b>2×</b>	<b>A1</b>  <b>1×</b>
<b>A2</b>  <b>1×</b>	<b>A3</b>  <b>2×</b>	<b>E1</b>  <b>2×</b>
<b>F</b>  <b>1×</b>	<b>G</b>  <b>1×</b>	<b>G1</b>  <b>1×</b>
<b>H</b>  <b>2×</b>	<b>F1</b>  <b>2×</b>	<b>I</b>  <b>1×</b>

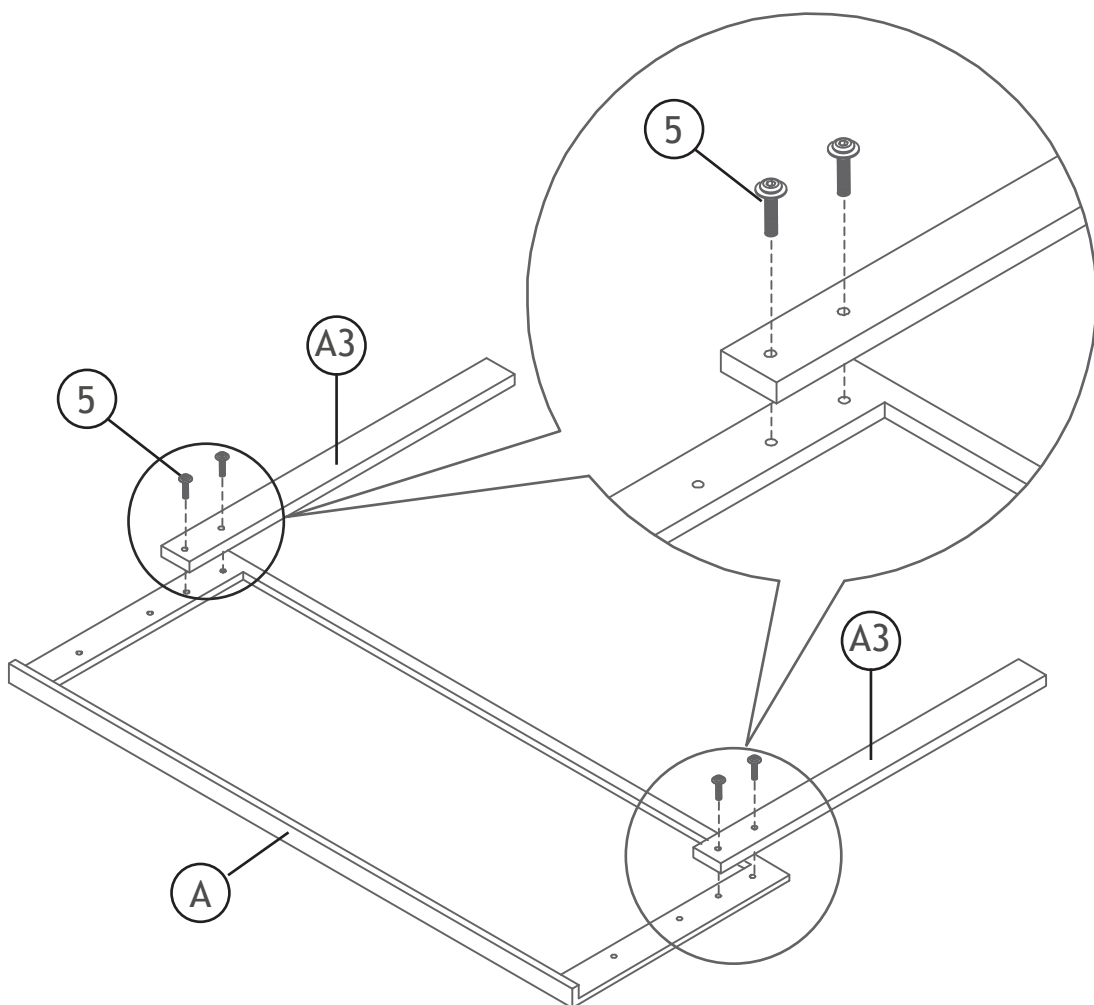
<p>J</p> <p>6×</p> 	<p>K</p> <p>2×</p> 	<p>M</p> <p>1×</p> 
<p>N</p> <p>1×1</p> 	<p>20×</p> <p>2</p>  <p>M8×18</p>	<p>12×</p>  <p>M8×18</p>
<p>3</p> <p>4×4</p>  <p>M8×25</p>	<p>6×</p> <p>5</p>  <p>M8×35</p>	<p>4×</p>  <p>M8×45</p>
<p>6</p>  <p>M8×50</p>	<p>1×</p> <p>7</p>  <p>1×</p>	

# ASSEMBLY

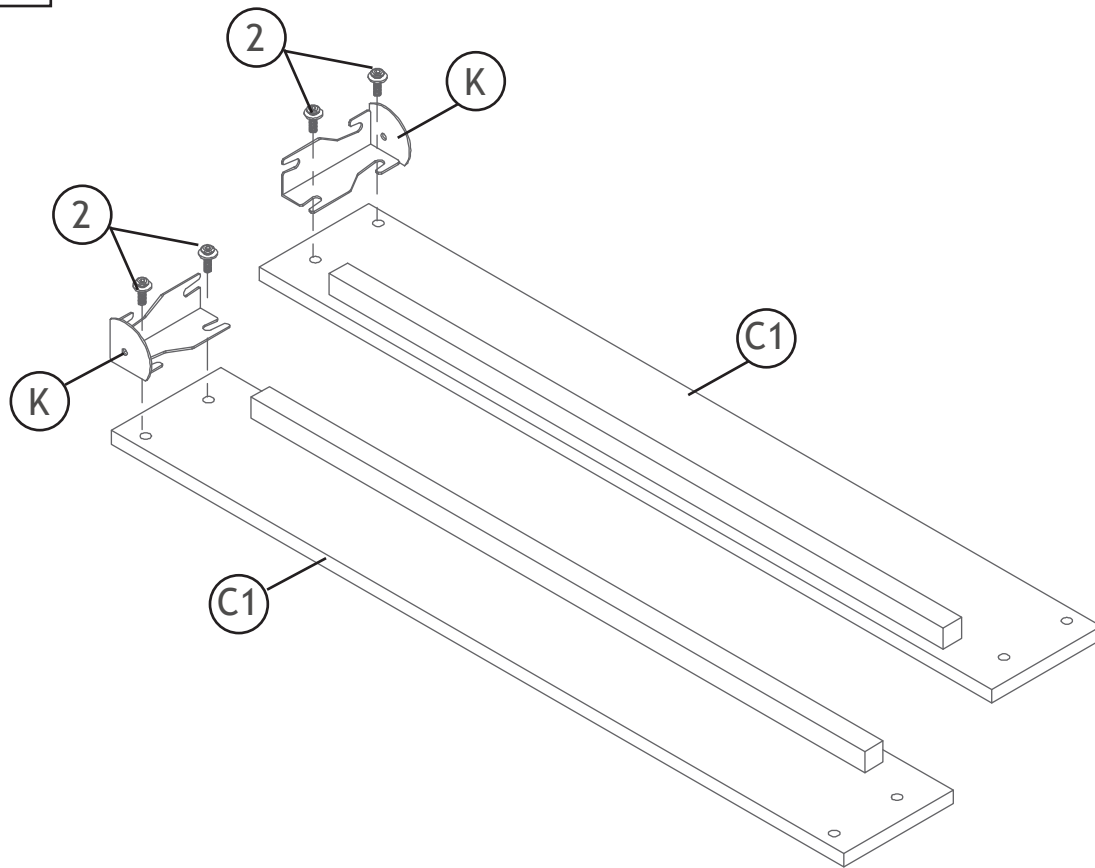
Before your installation, please make sure that you have all the parts listed on the manual. If you find something missing, stop installing and contact your supplier immediately.

**NOTE: Please do not completely tighten all the hardware until the entire assembly is completed!**

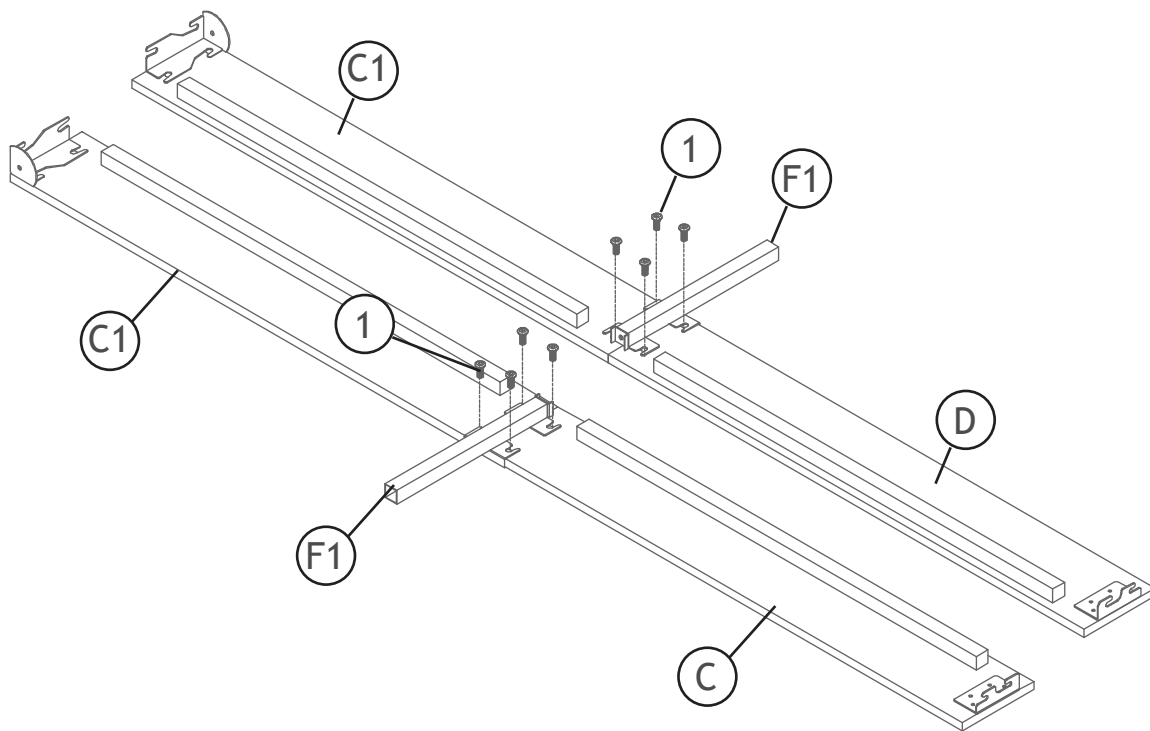
1



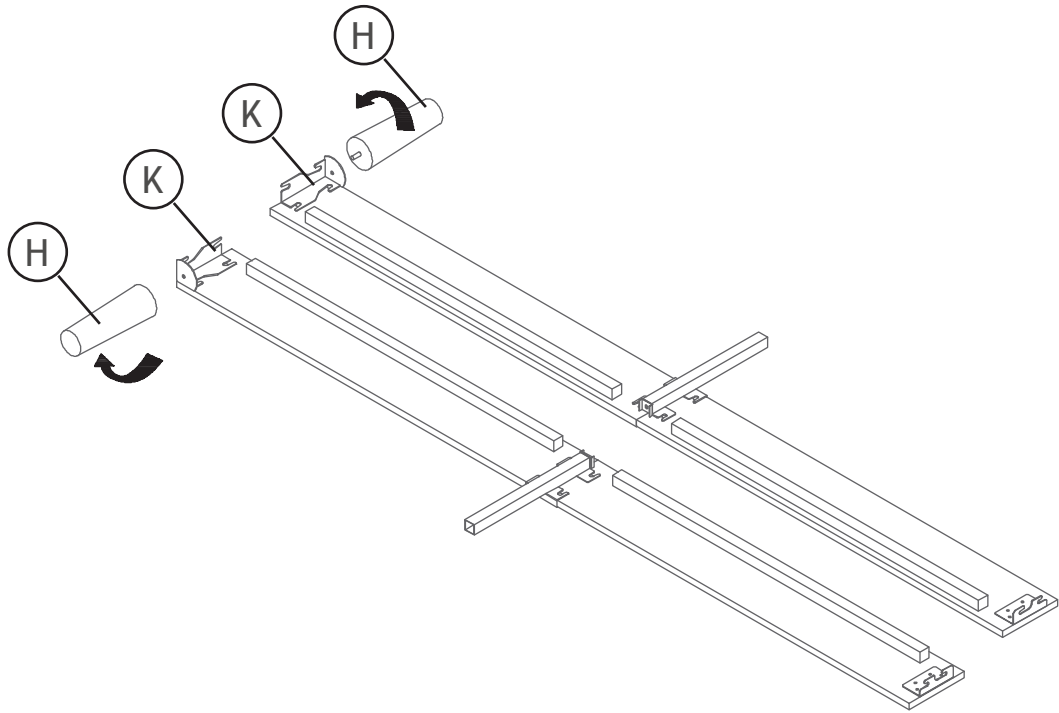
2



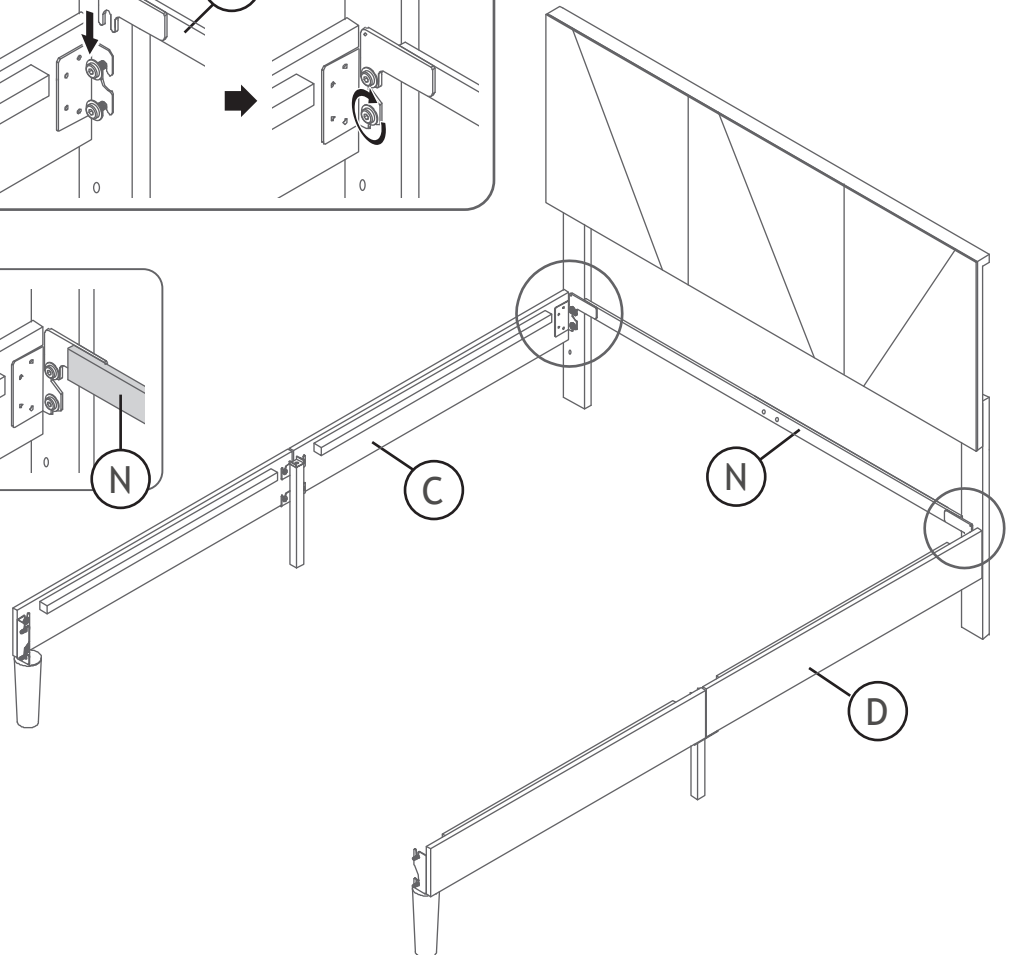
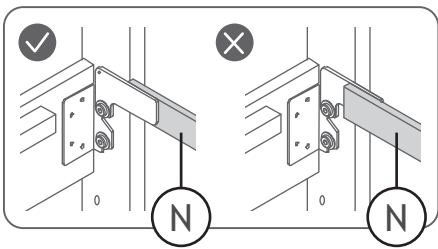
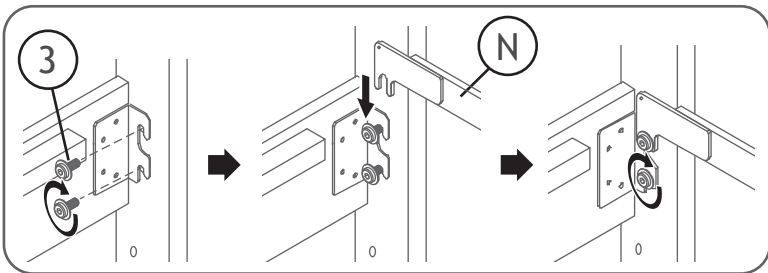
3



4

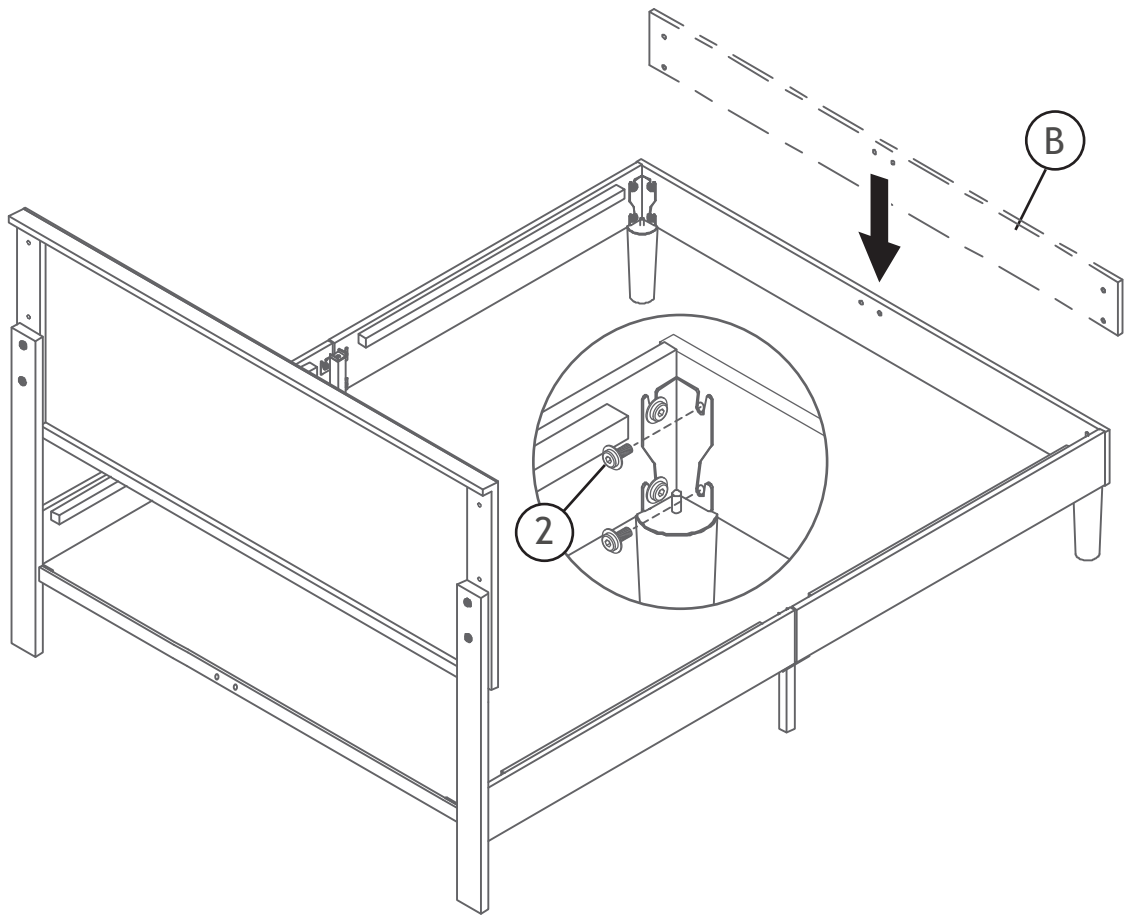


5 Assemble part C and D first (with screws untightened), then assemble part N. Tighten all screws in the last step.

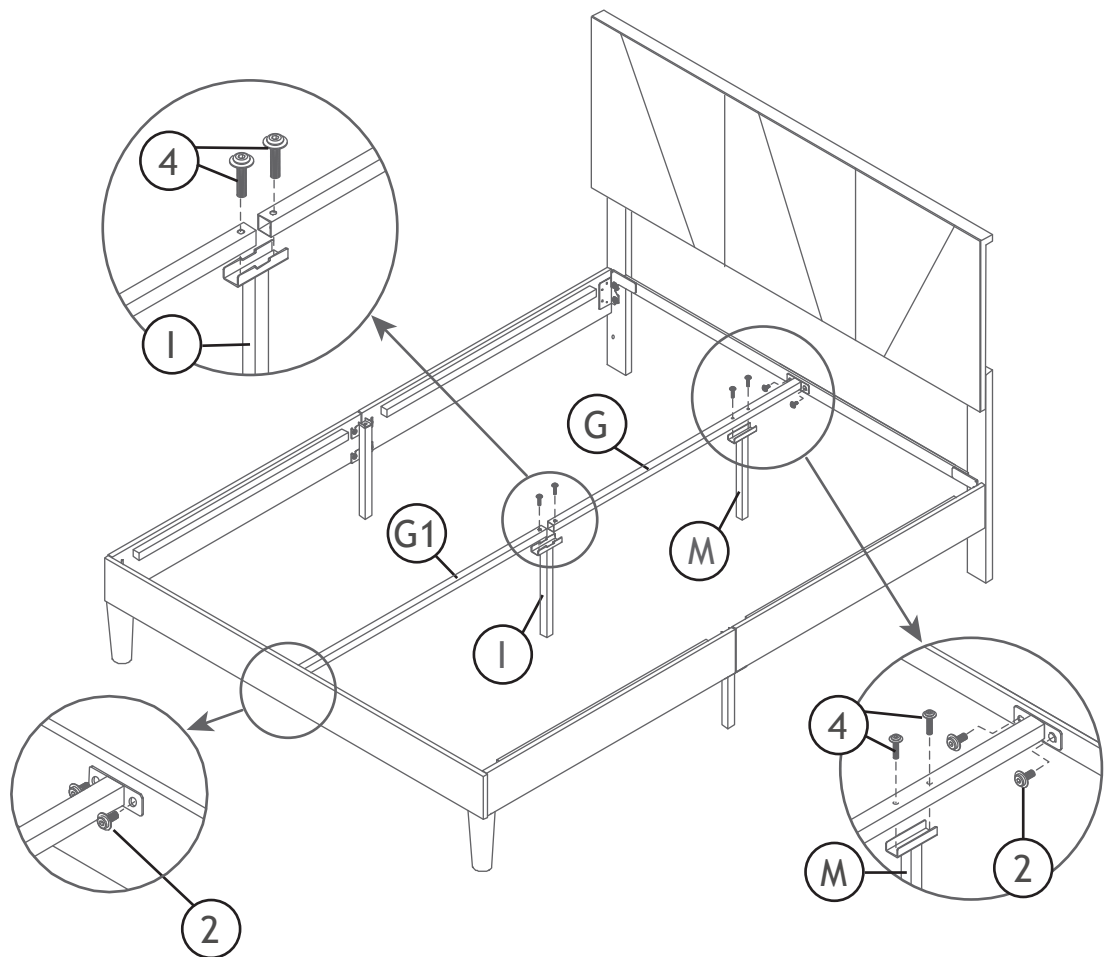


6

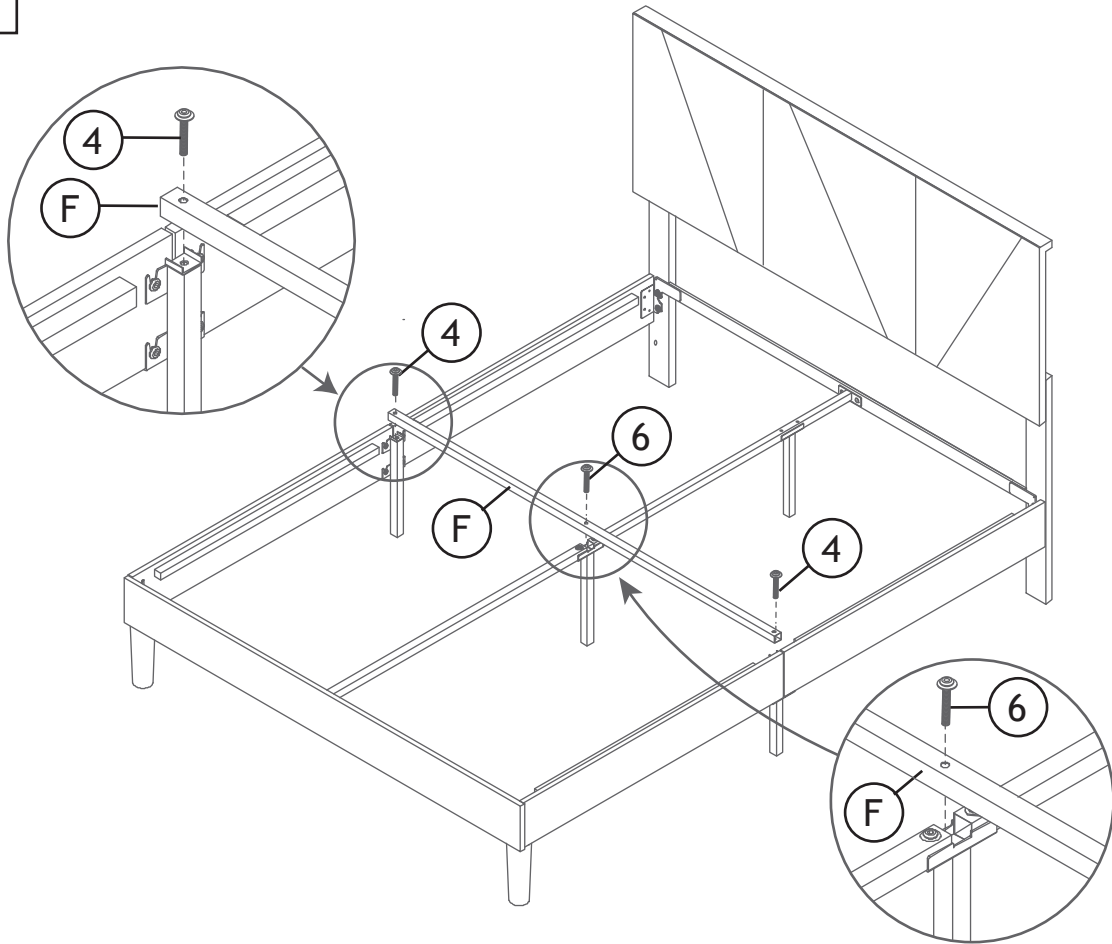
6



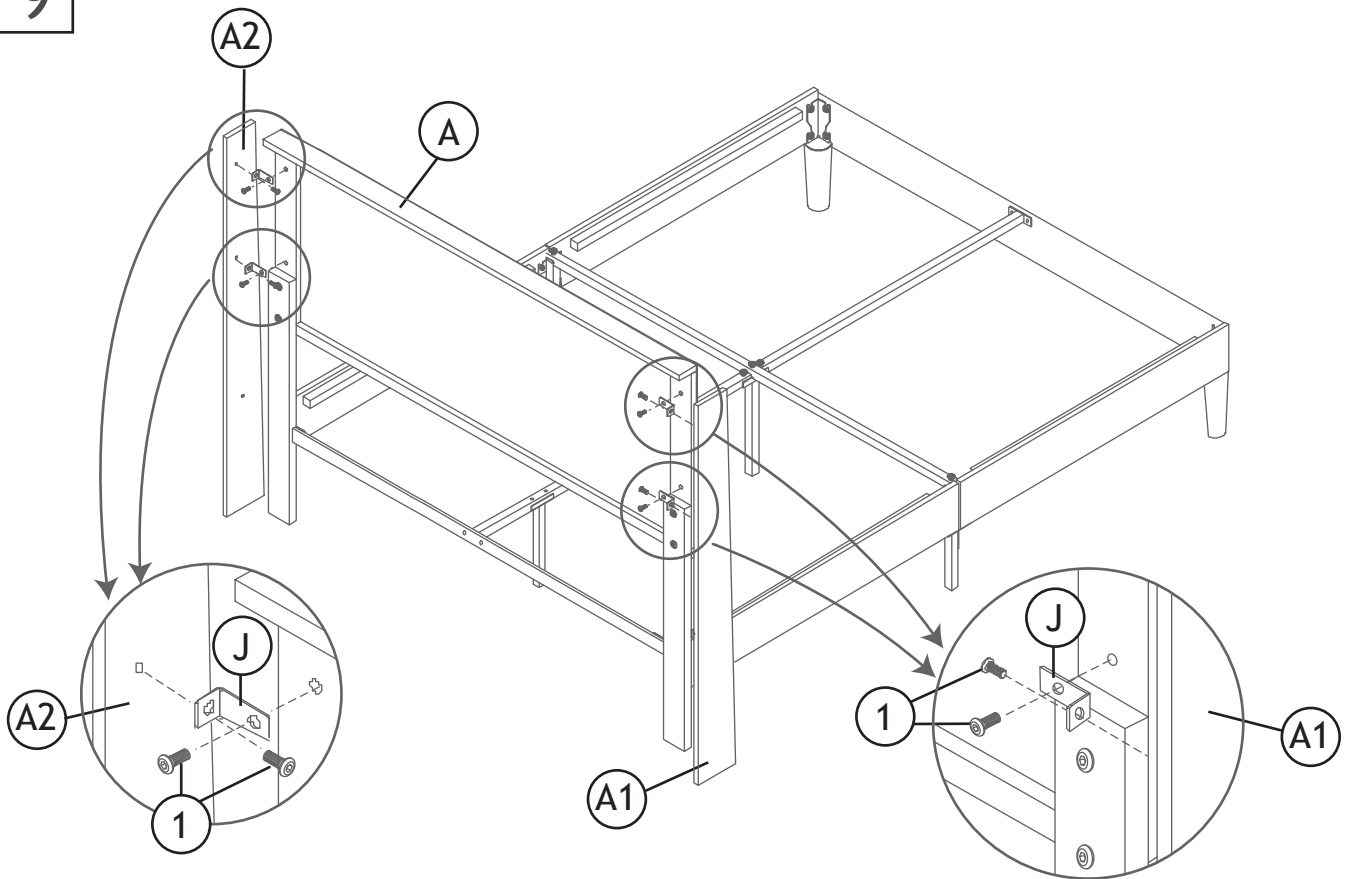
7



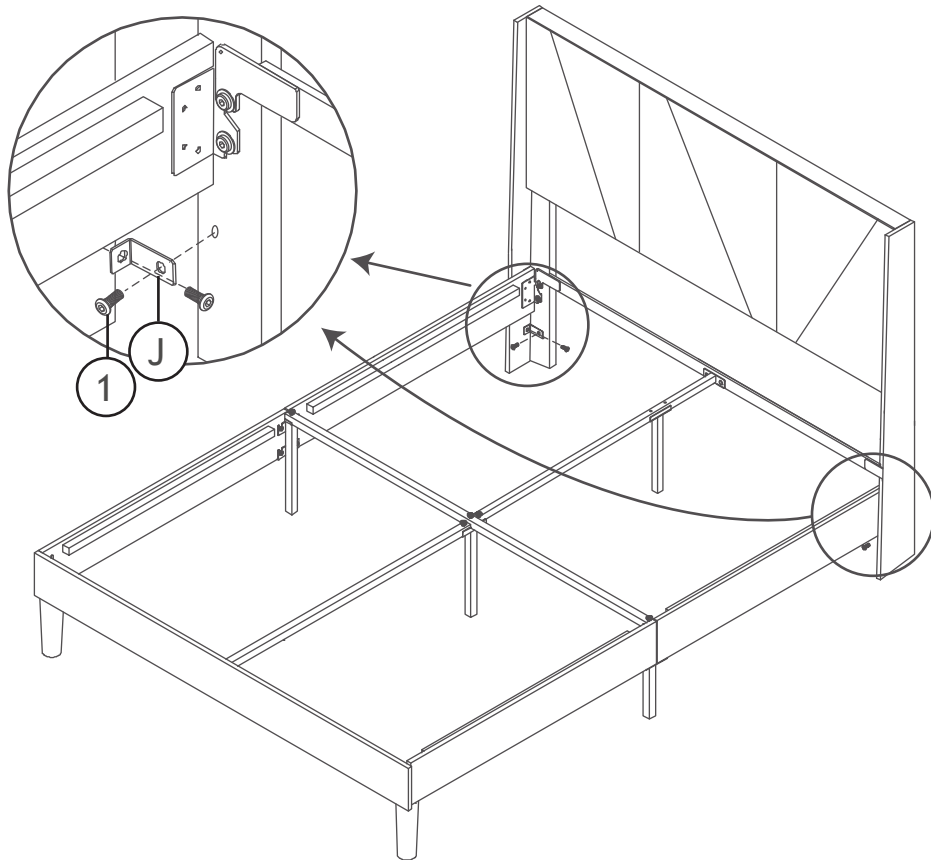
8



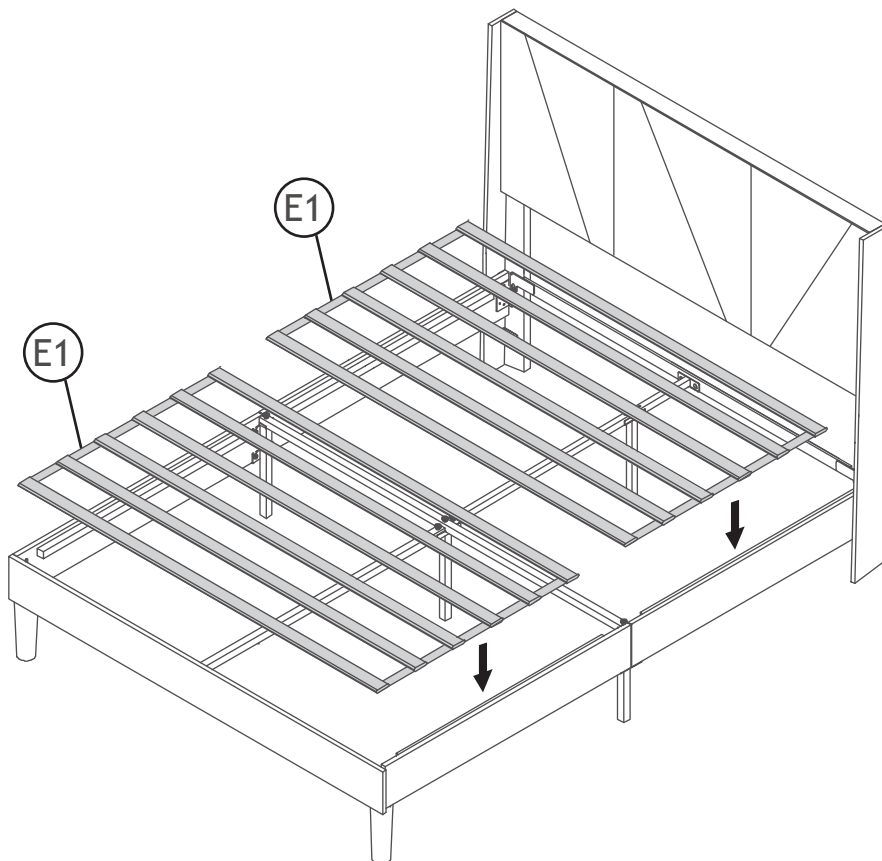
9



10



11



NOTE: Before use it, please make sure you tighten all screws!  
Made in china