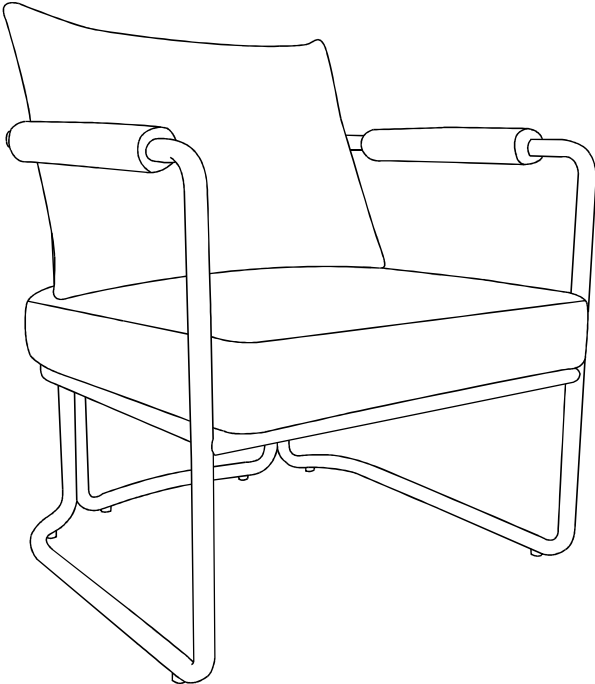


Installation & Assembly



WARNING

Please read the instructions carefully and follow the assembly steps.



**SAFETY AND
CARE ADVICE**



NO POWER TOOLS

ASSEMBLY PARTS AND TOOL

A



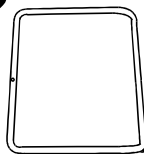
1PC

B



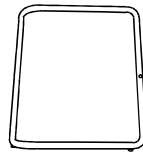
1PC

C



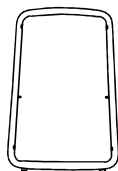
1PC

D



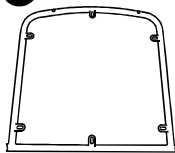
1PC

E



1PC

F



1PC

G



1PC

H



2PCS

I



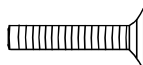
**M6x18MM
8PCS**

J



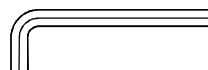
**M6x35MM
4PCS**

K



**M8x40MM
2PCS**

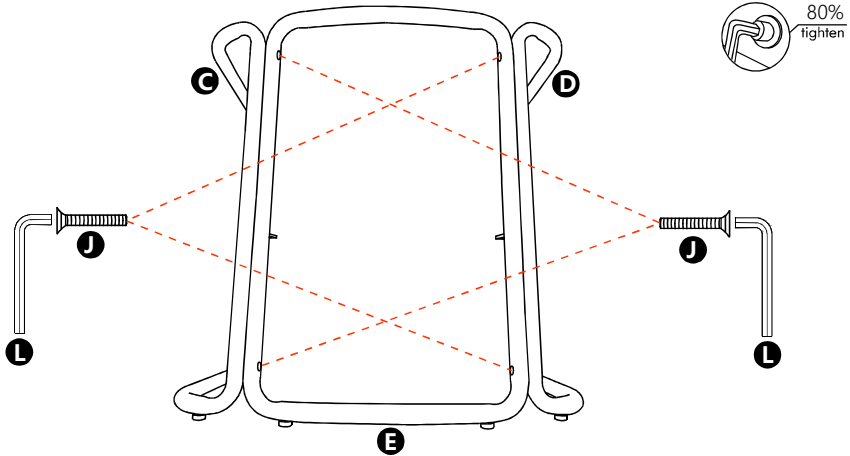
L



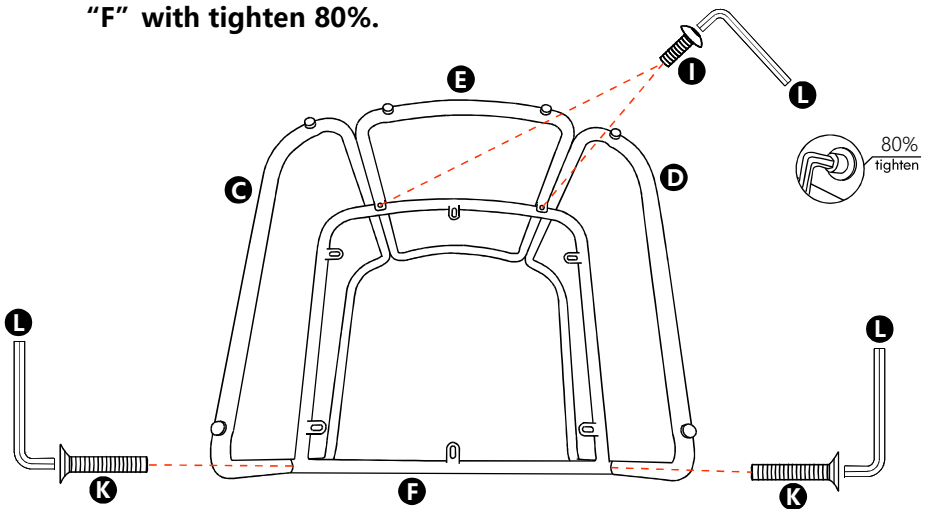
1PC

Assembly

STEP 1 Use "J" and "L" to make connection "C" and "D" with "E" with tighten 80%.

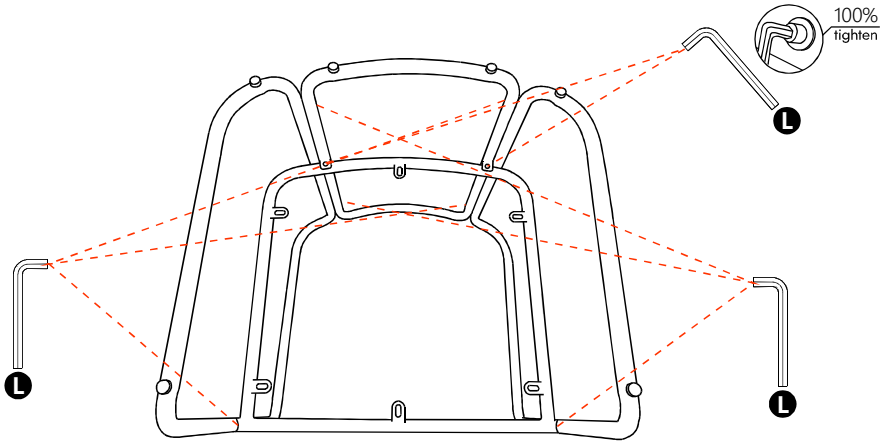


STEP 2 Use "I" and "L" to make connection "E" with "F" with tighten 80%. Use "L" and "K" to make connection "C" and "D" with "F" with tighten 80%.

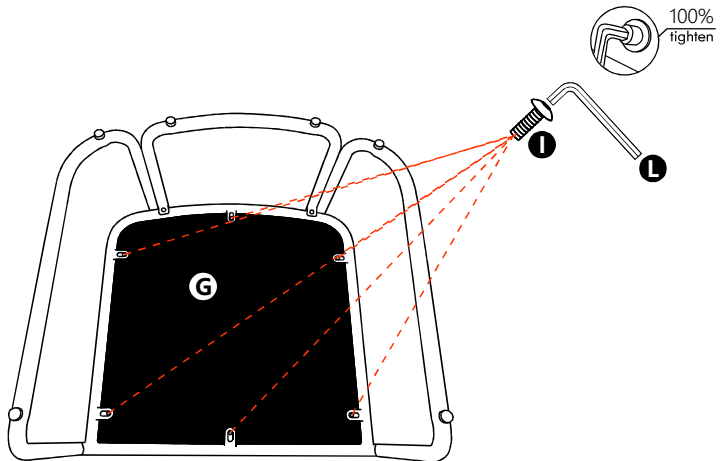


Assembly

STEP 3 Use "L" to make all screws 100% tighten.

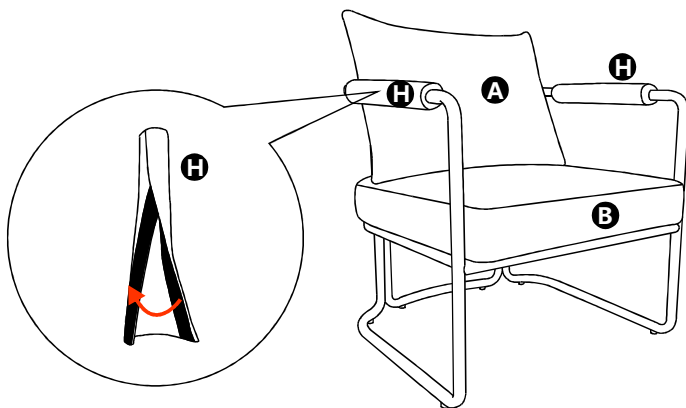


STEP 4 Use "I" and "L" to fix "G" 100% tighten.



Assembly

STEP 5 Install the handrail cover.



STEP 6

