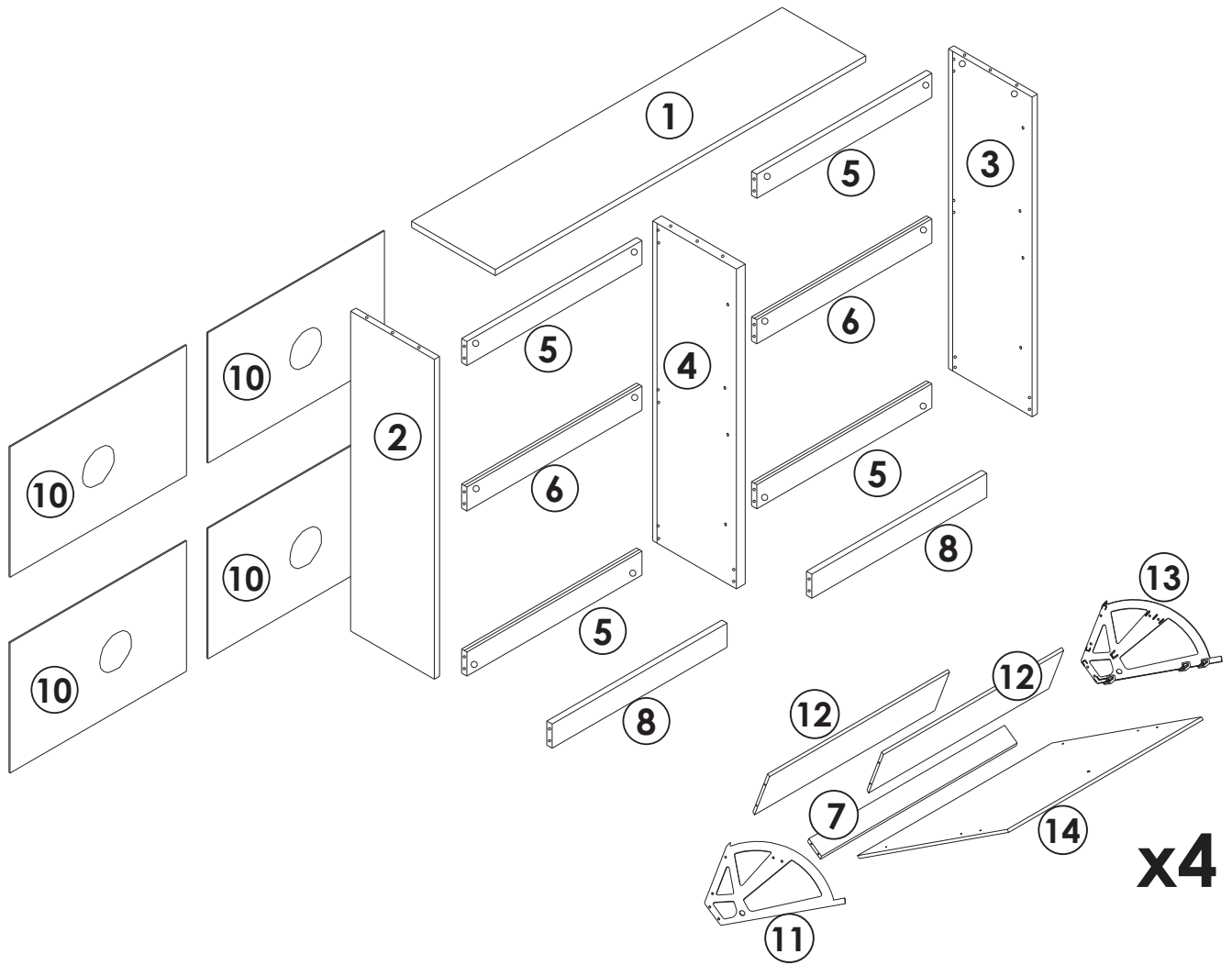


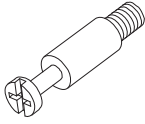
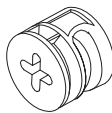
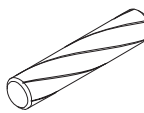
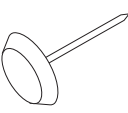
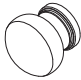


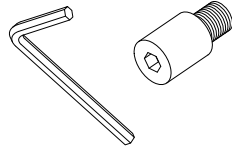

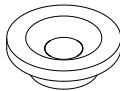
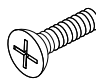
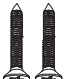

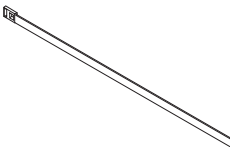
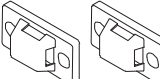
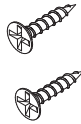
# USER MANUAL

---



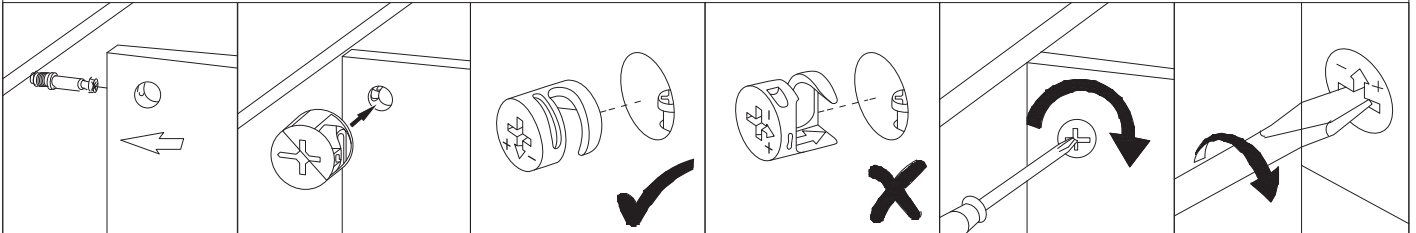
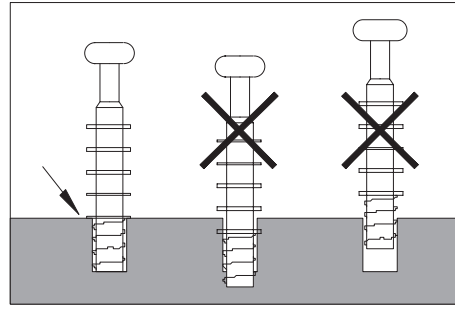
# PARTS LIST



<b>A</b> M6*40  x22	<b>B</b> Ø15*11  x22	<b>C</b> Ø8*40  x19	<b>D</b>  x6
<b>E</b>  x4	<b>F</b> M4*20  x4	<b>G</b> M3.5*16  x64	<b>H</b>  x8
<b>J</b> M3*16  x16	<b>K</b>  x8	<b>M</b> M6*16  x8	
<b>N = N1 + N2 + N3 + N4 + N5</b>  <b>N1</b>  <b>N2</b>  <b>N3</b>  <b>N4</b>  <b>N5</b> x2			

# INSTALLATION STEPS

Installation method of three  
in one rod and buckle

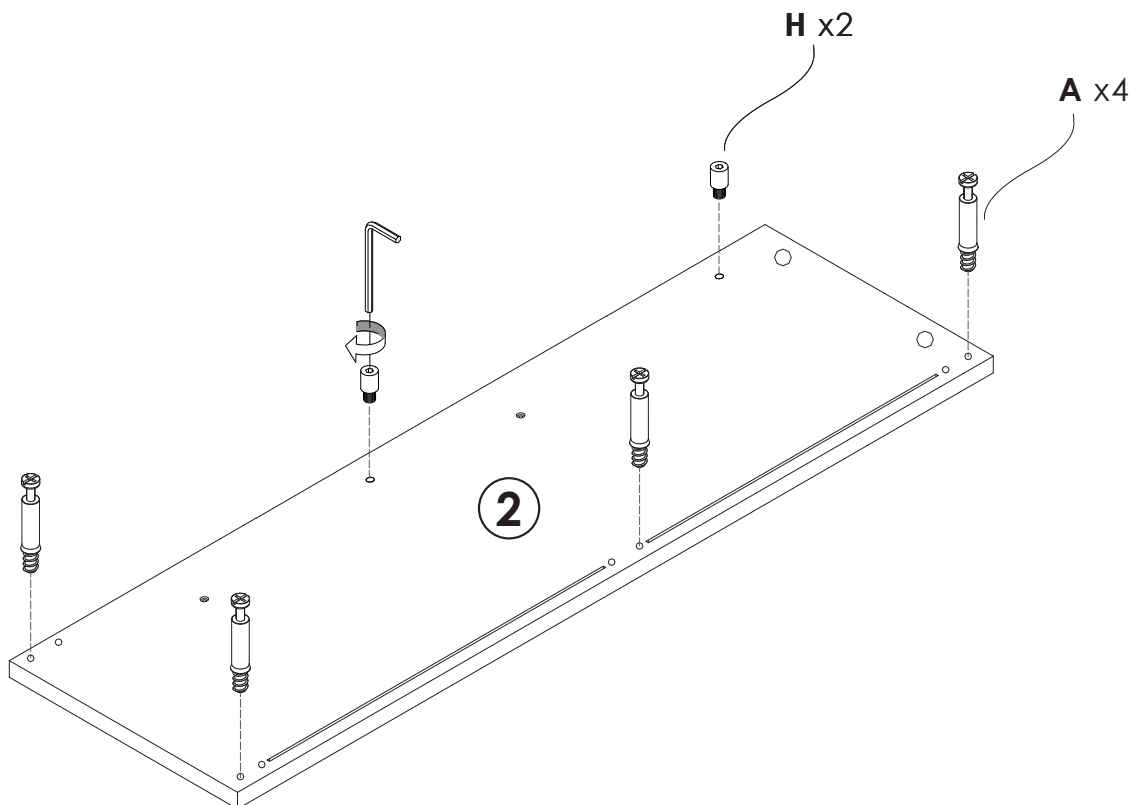


1

YOU WILL NEED

A x4

H x2



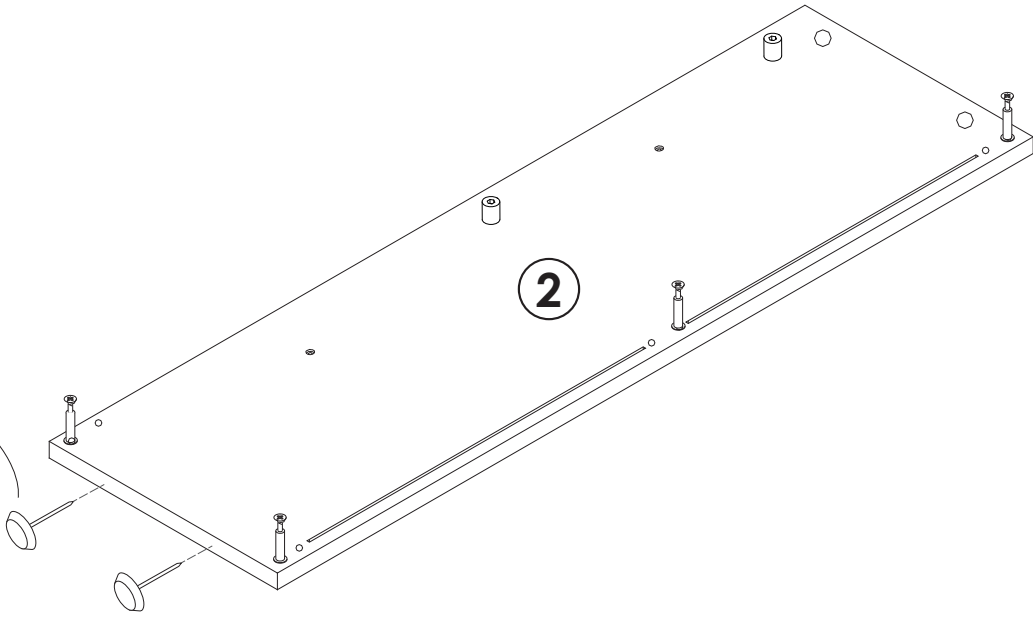
2

YOU WILL NEED

D x2

D x2

2



3

YOU WILL NEED

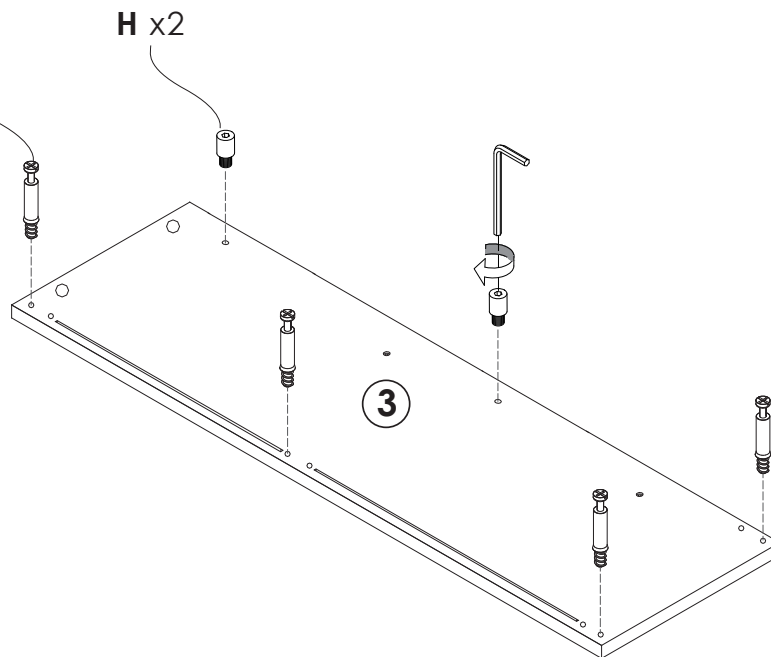
A x4

H x2

A x4

H x2

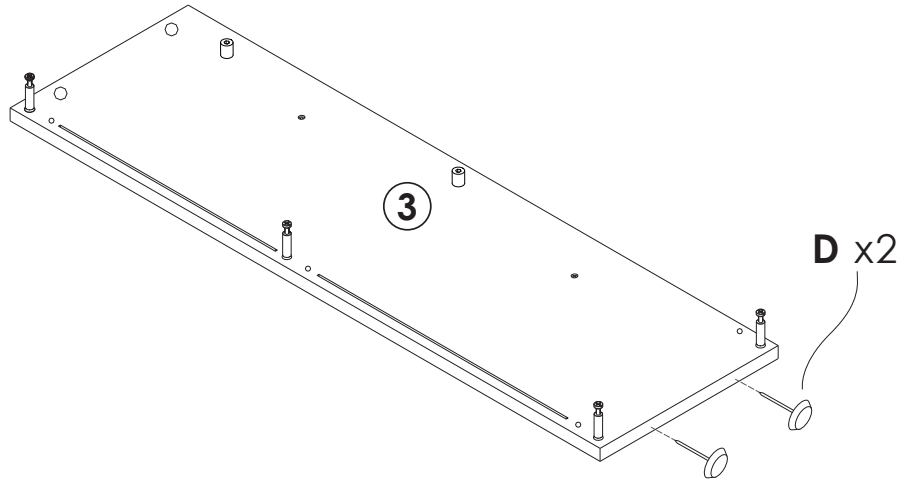
3



4

YOU WILL NEED

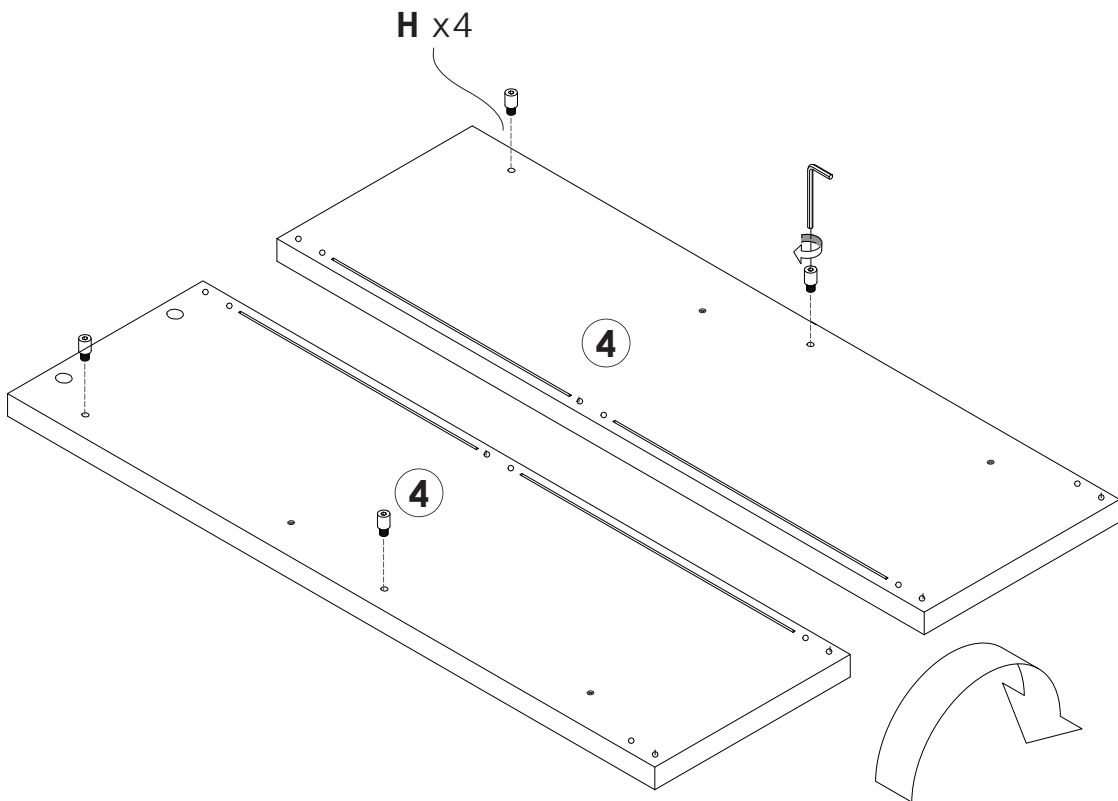
D x2



5

YOU WILL NEED

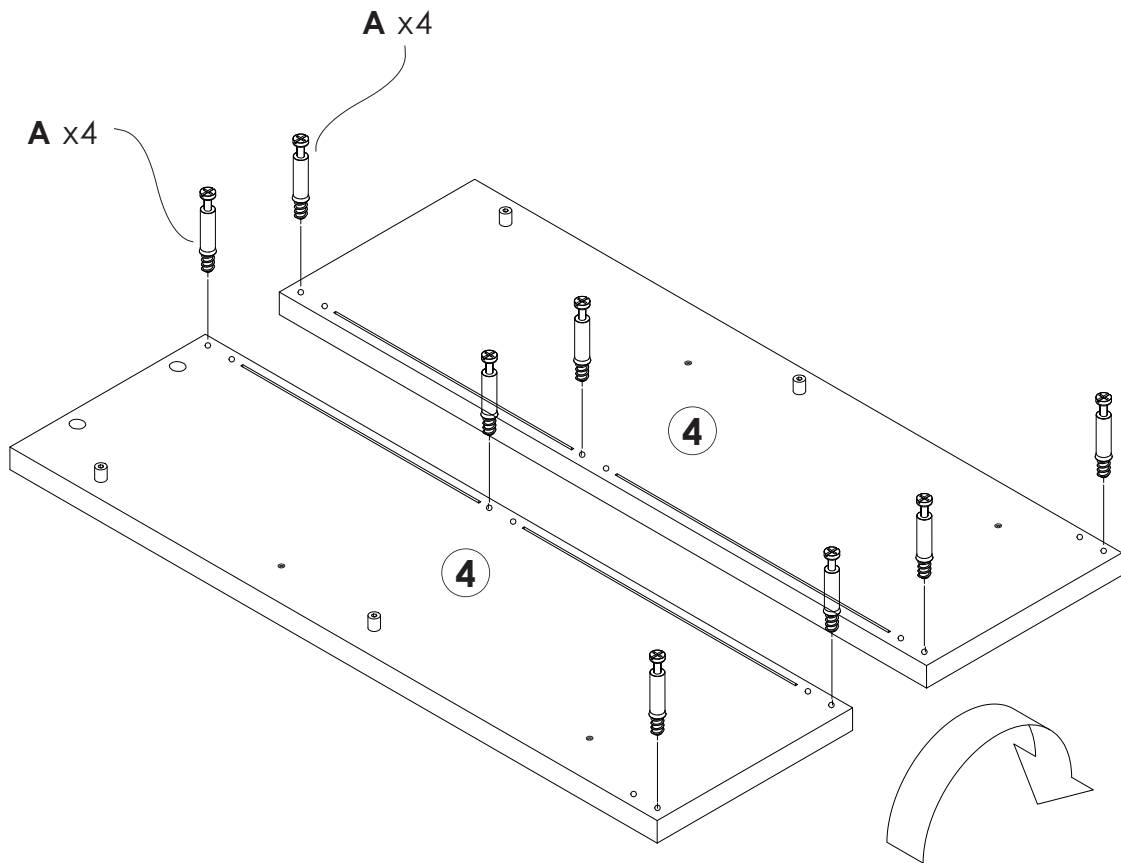
H x4



6

YOU WILL NEED

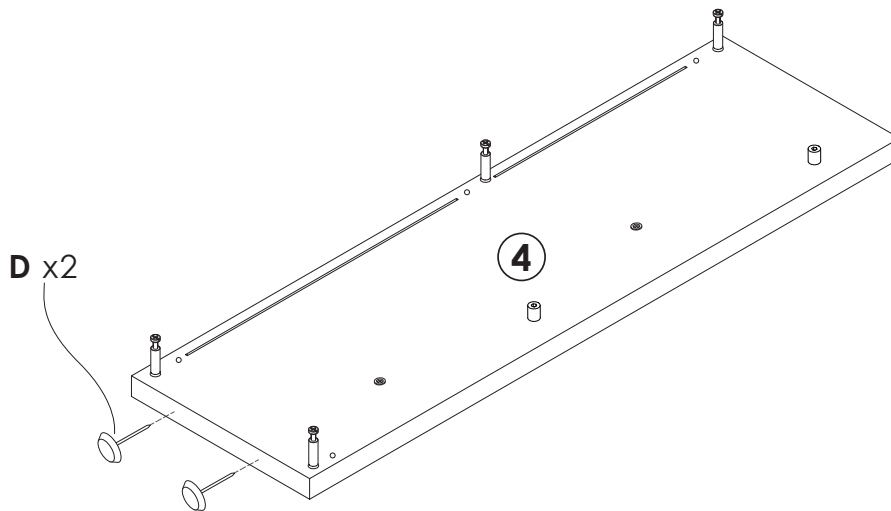
A x8



7

YOU WILL NEED

D x2

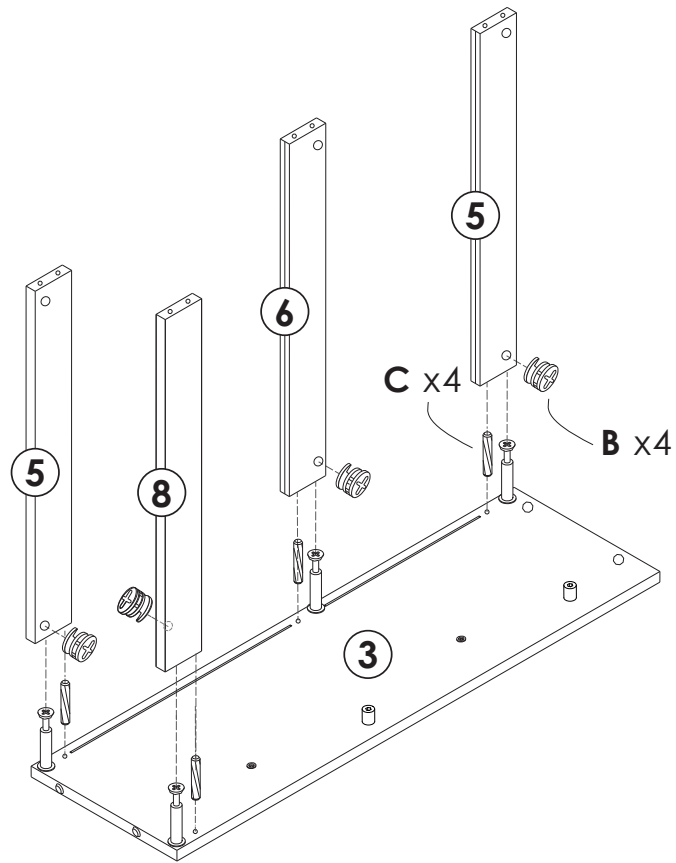


8

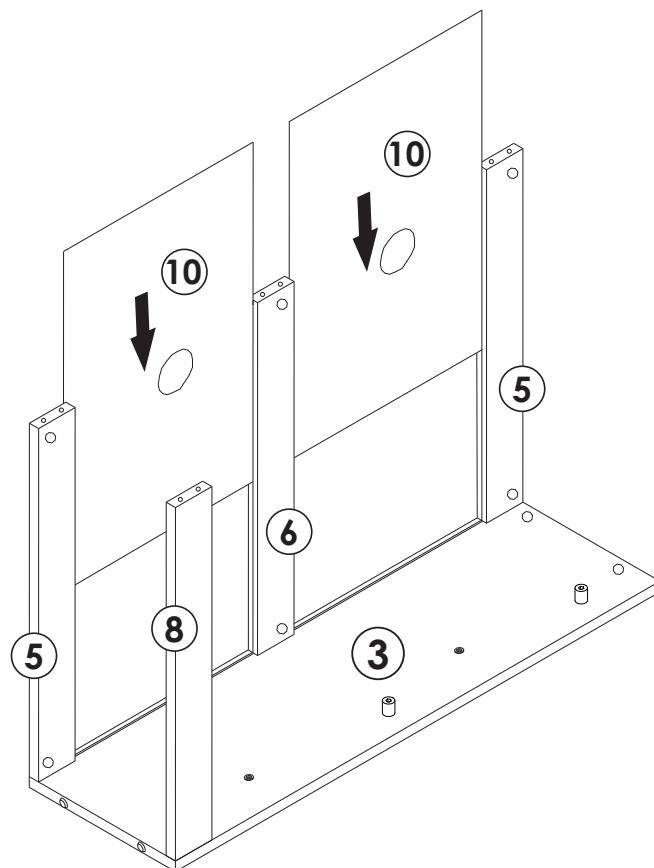
YOU WILL NEED

B x4

C x4



9

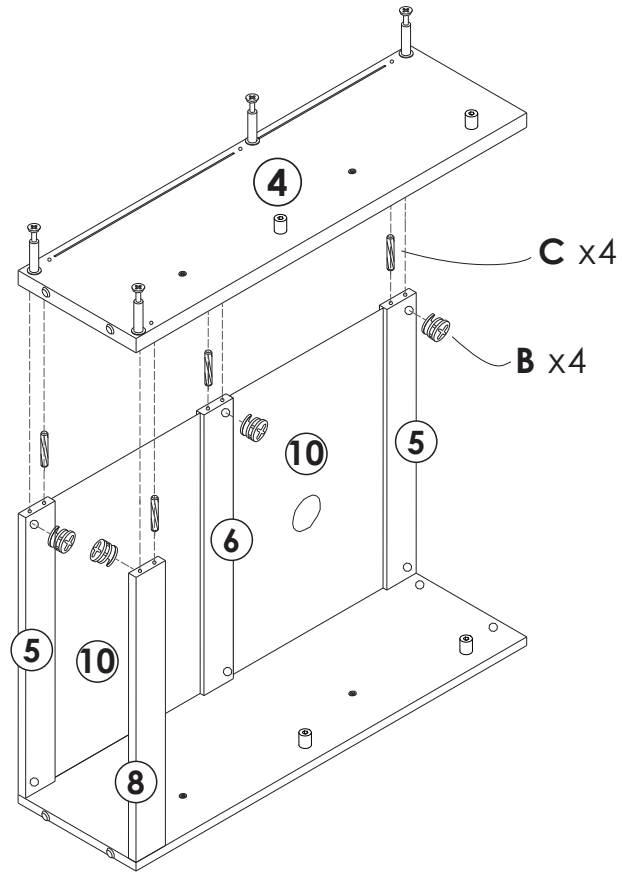


10

YOU WILL NEED

B x4

C x4

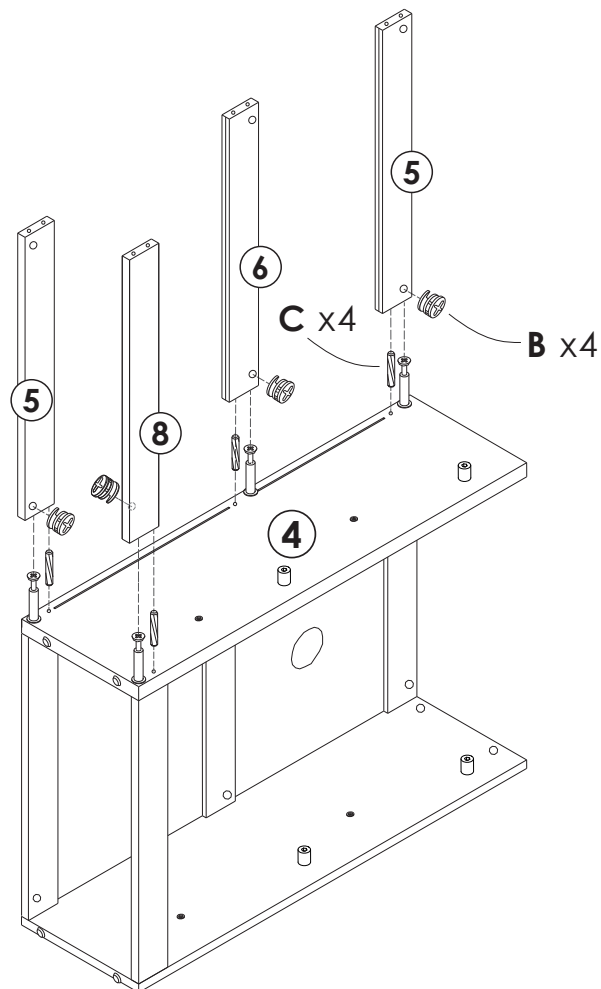


11

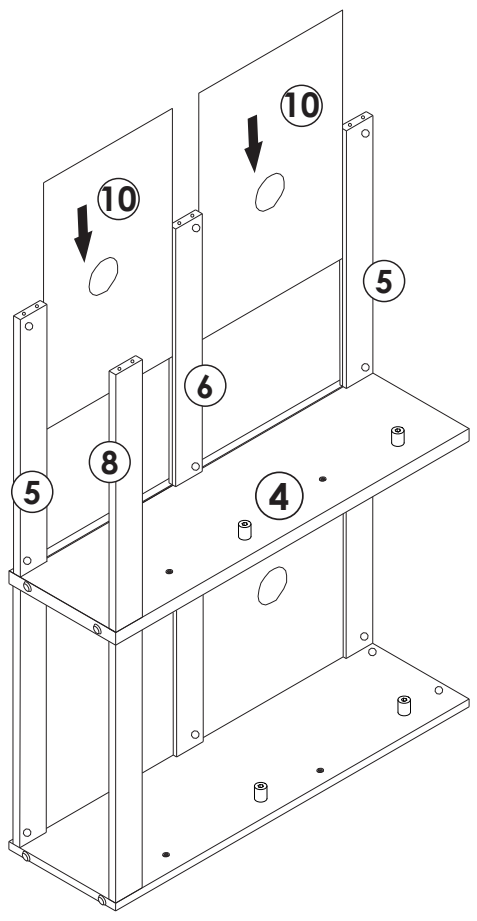
YOU WILL NEED

B x4

C x4

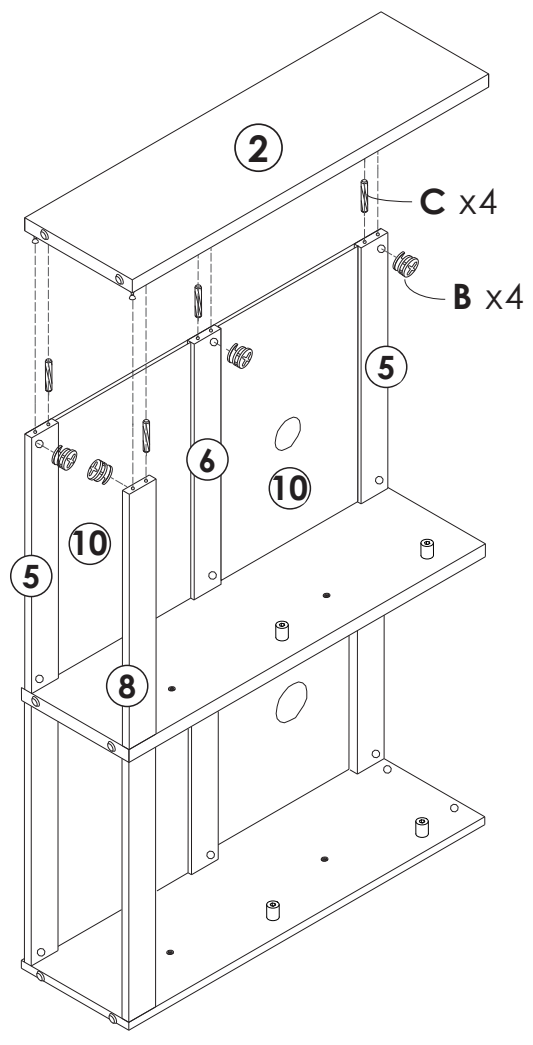


12



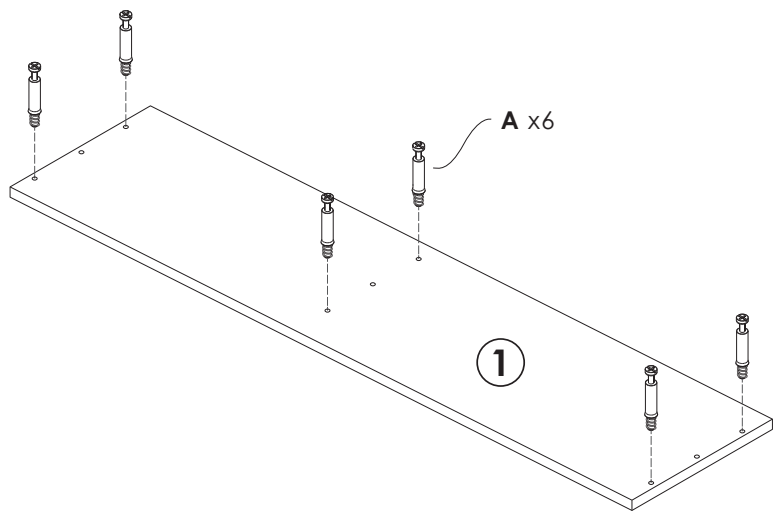
13

**YOU WILL NEED**  
**B x4** | **C x4**



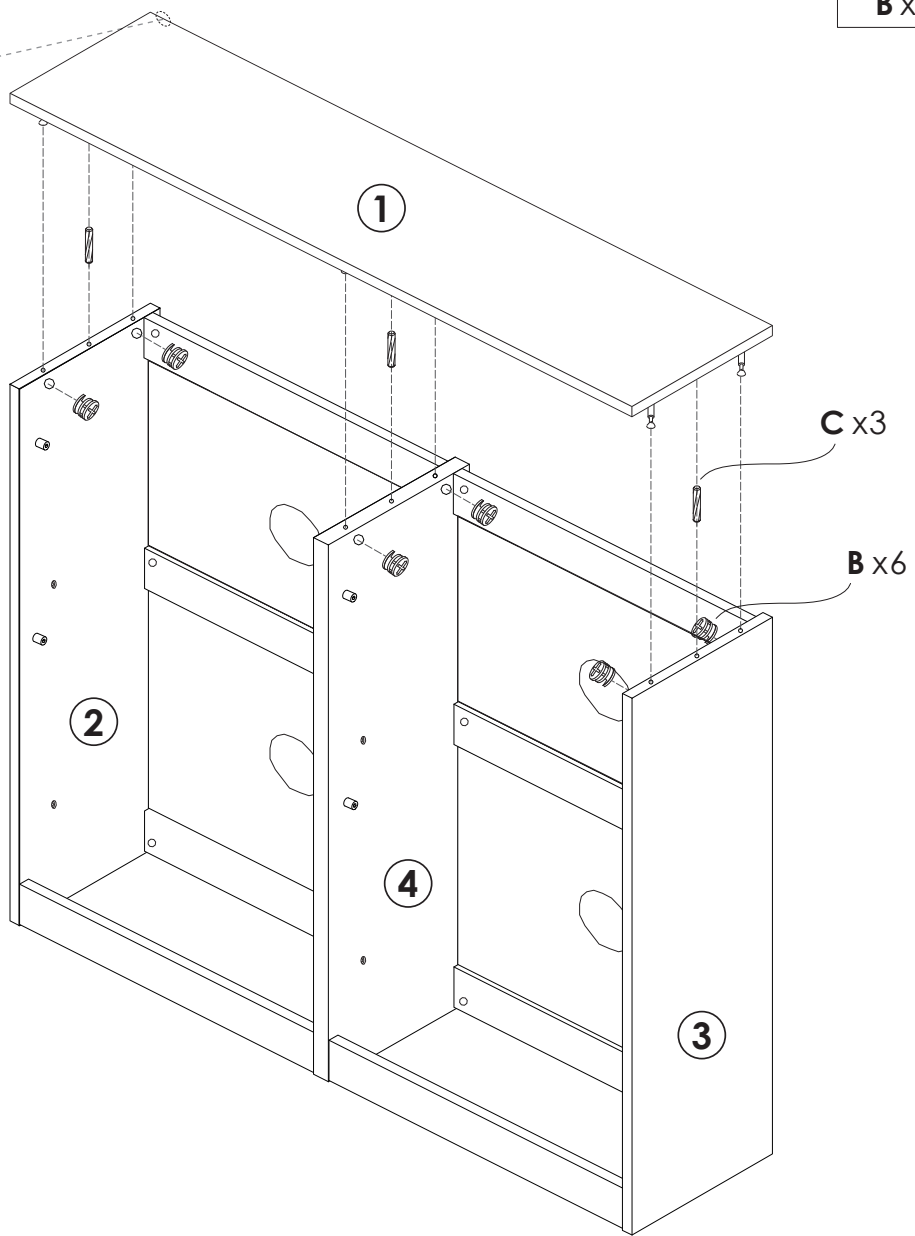
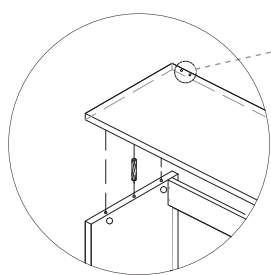
14

YOU WILL NEED	
A x6	



15

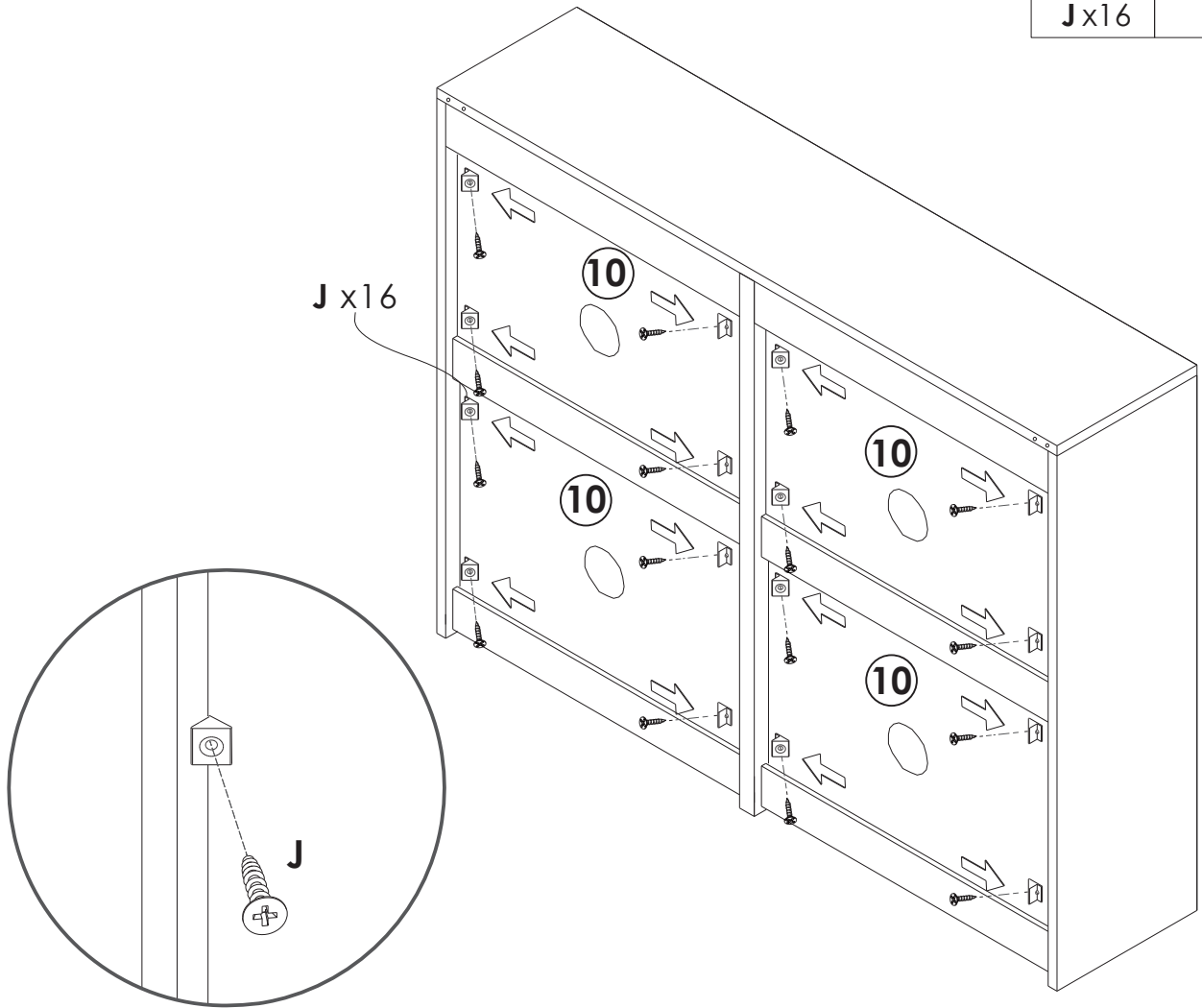
YOU WILL NEED	
B x6	C x3



16

YOU WILL NEED

J x16



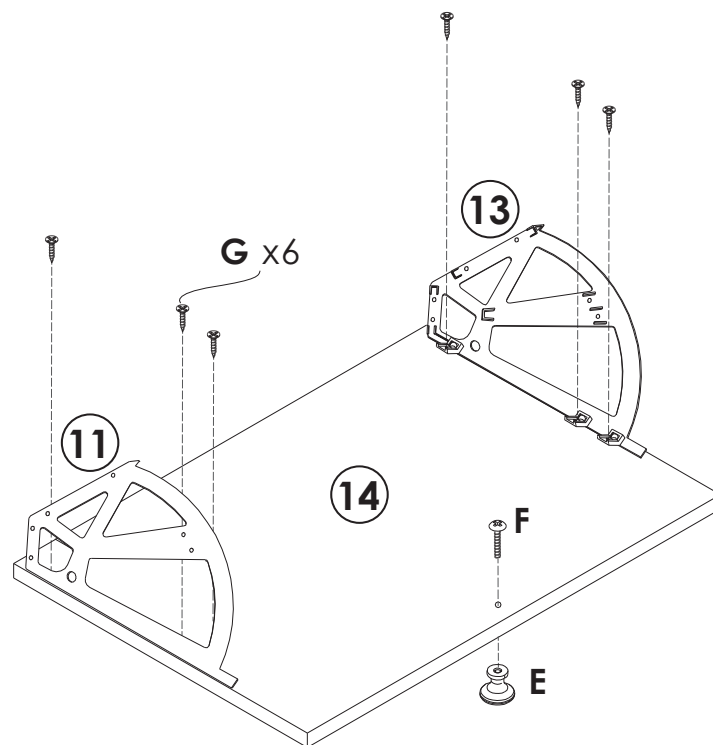
17

YOU WILL NEED

E x4

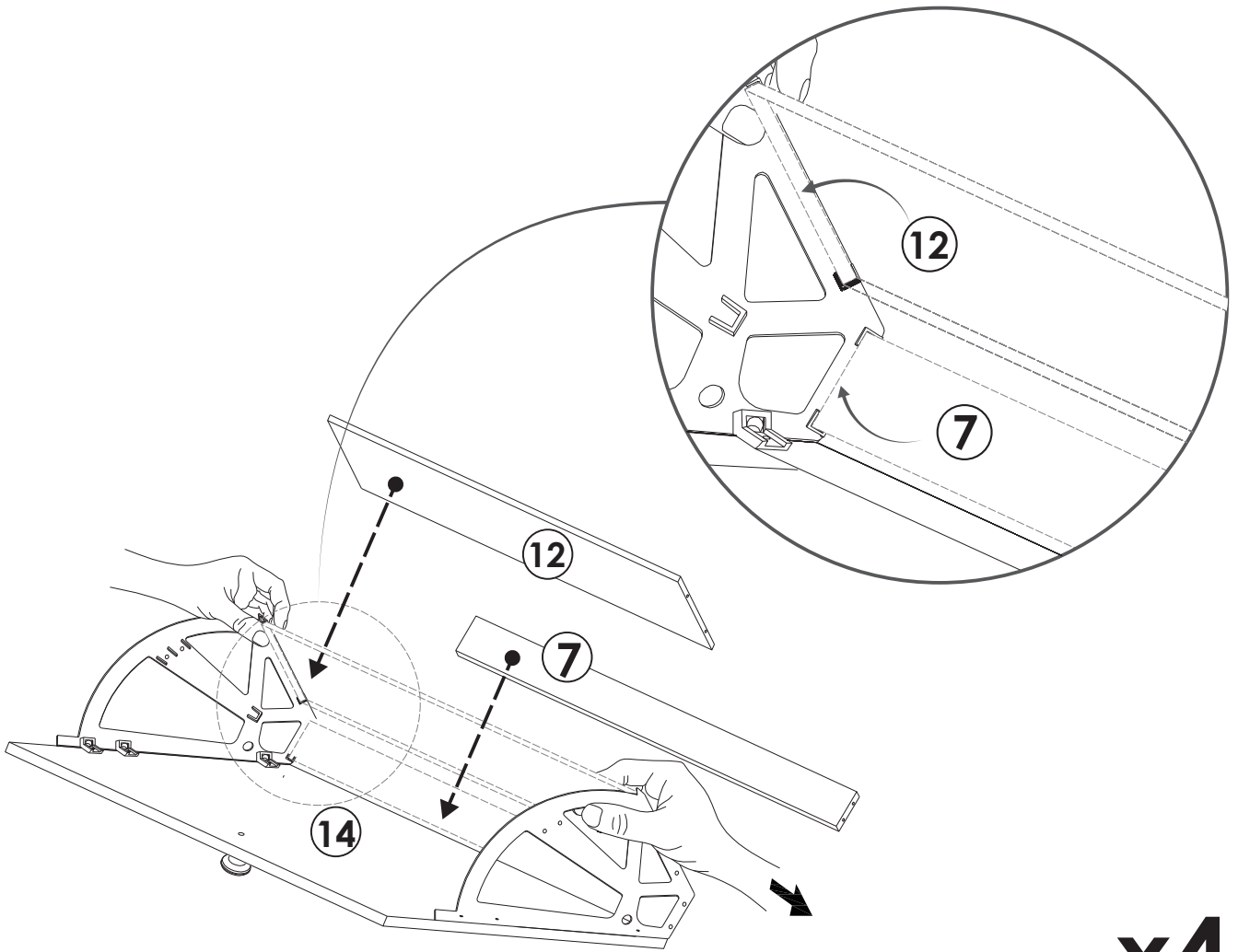
F x4

G x24



x4

18

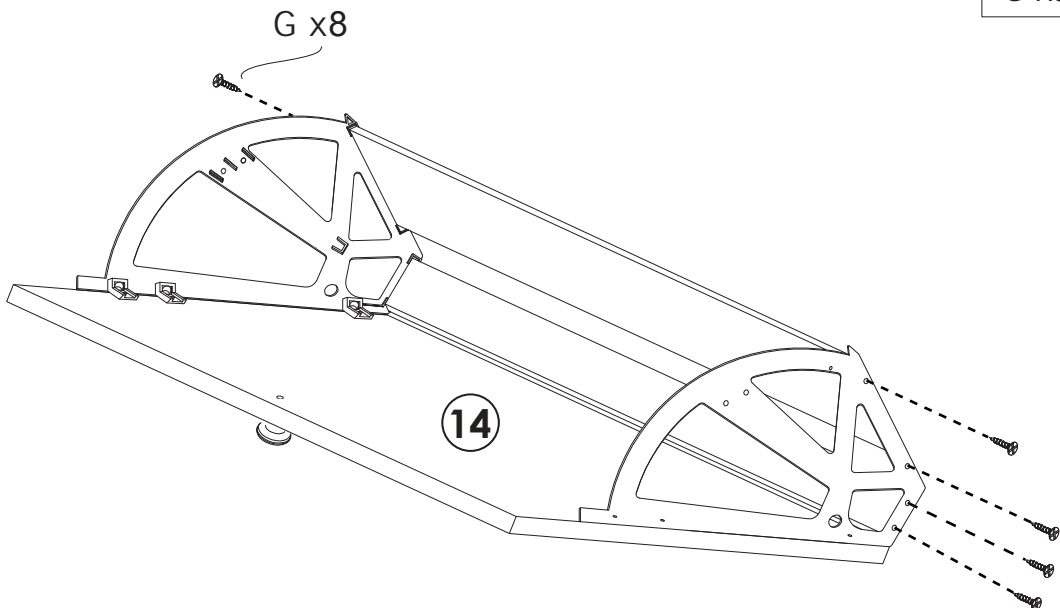


**x4**

19

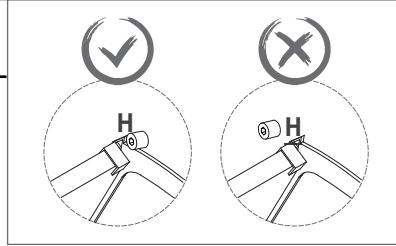
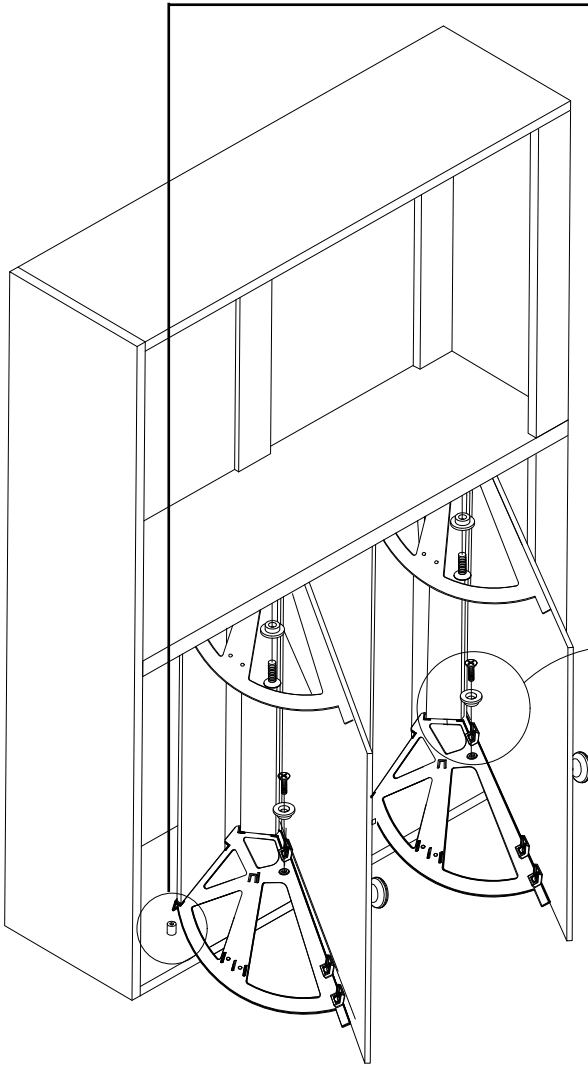
**YOU WILL NEED**

G x32



**x4**

20

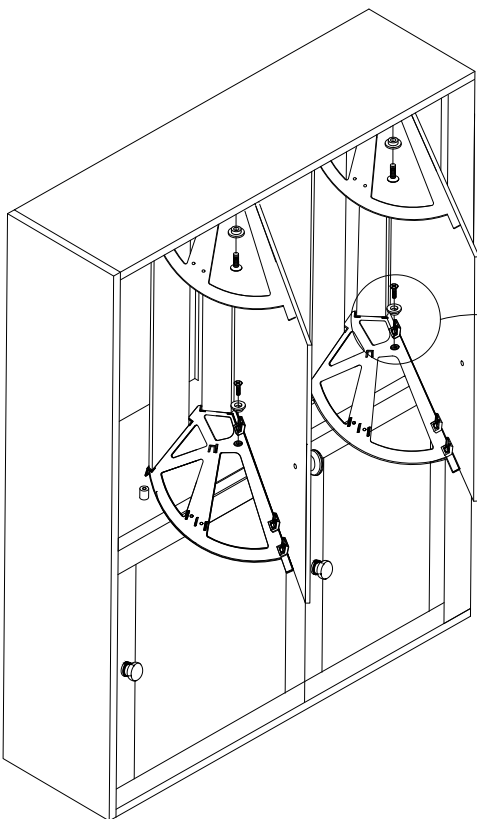


**YOU WILL NEED**

M x4

K x4

21



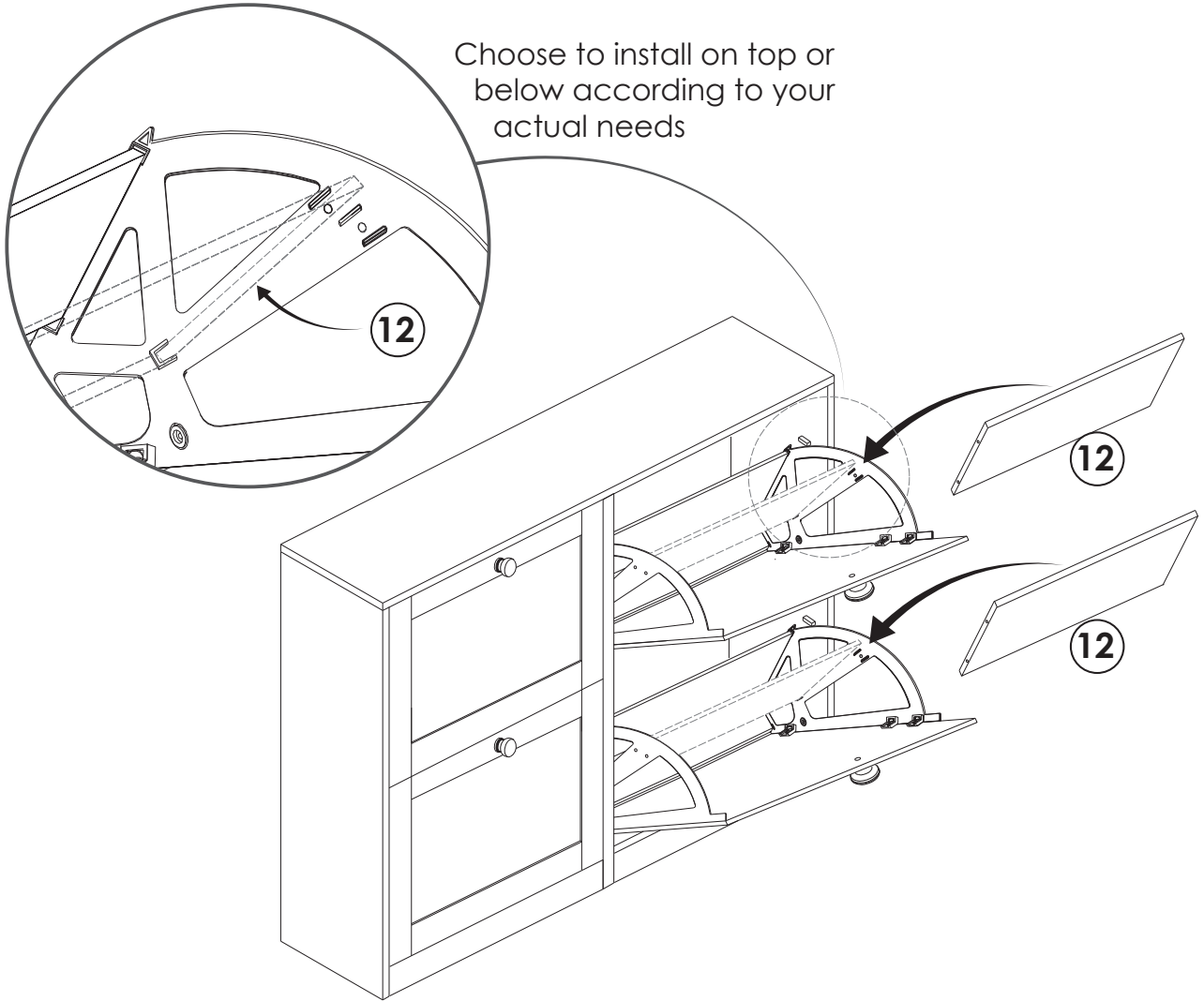
**YOU WILL NEED**

K x4

M x4

22

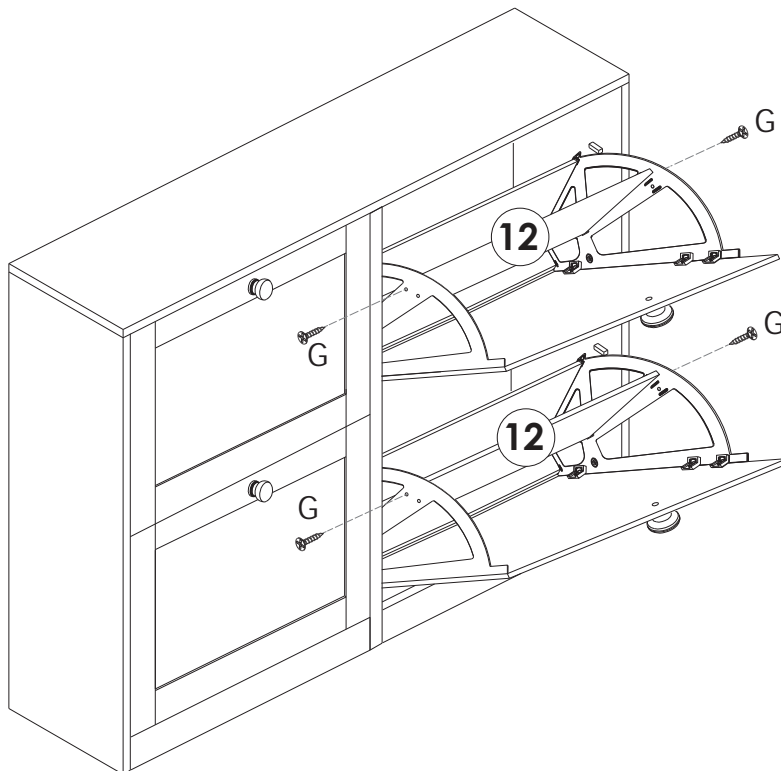
Choose to install on top or below according to your actual needs



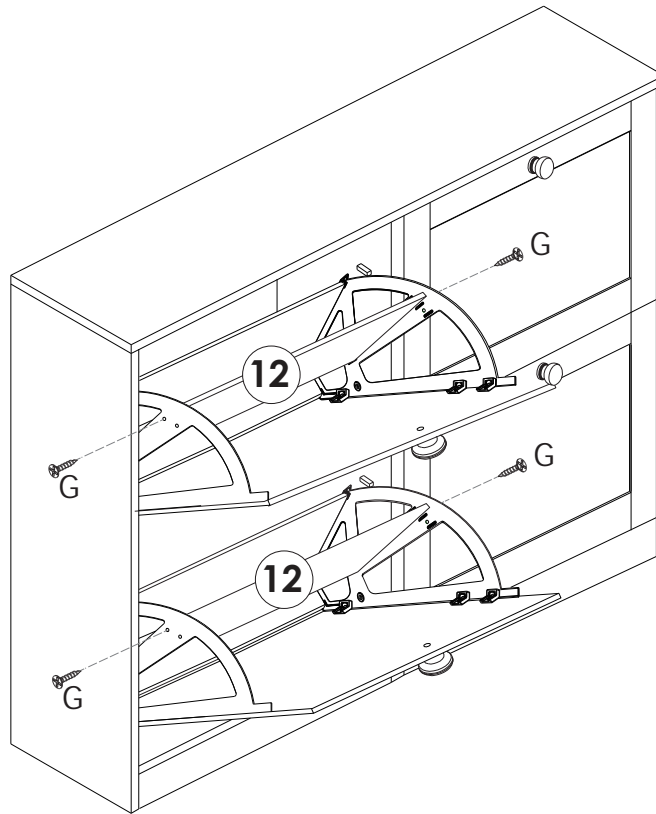
23

**YOU WILL NEED**

G x4



24



**YOU WILL NEED**

G x4

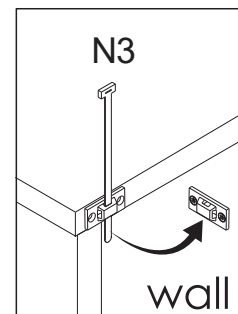
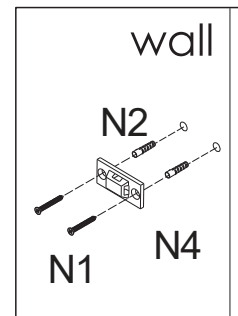
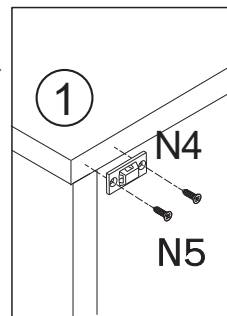
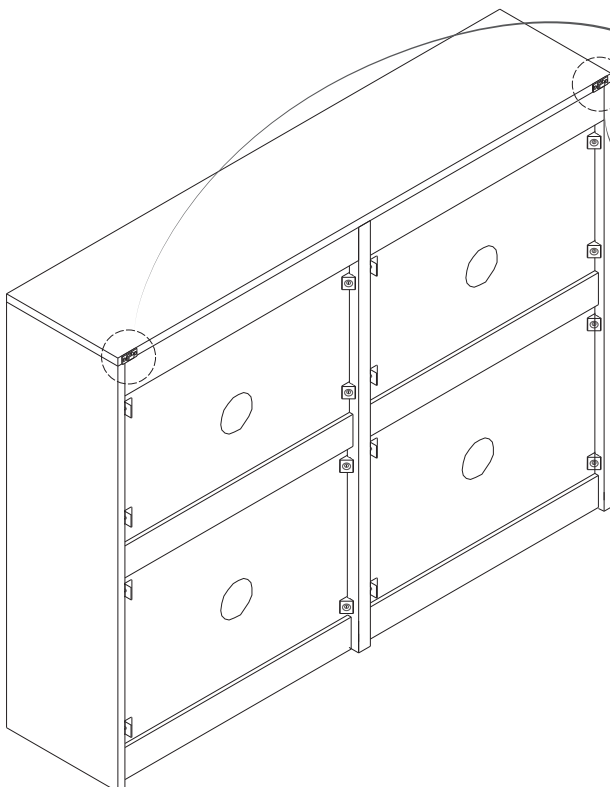
25

**MANDATORY!**

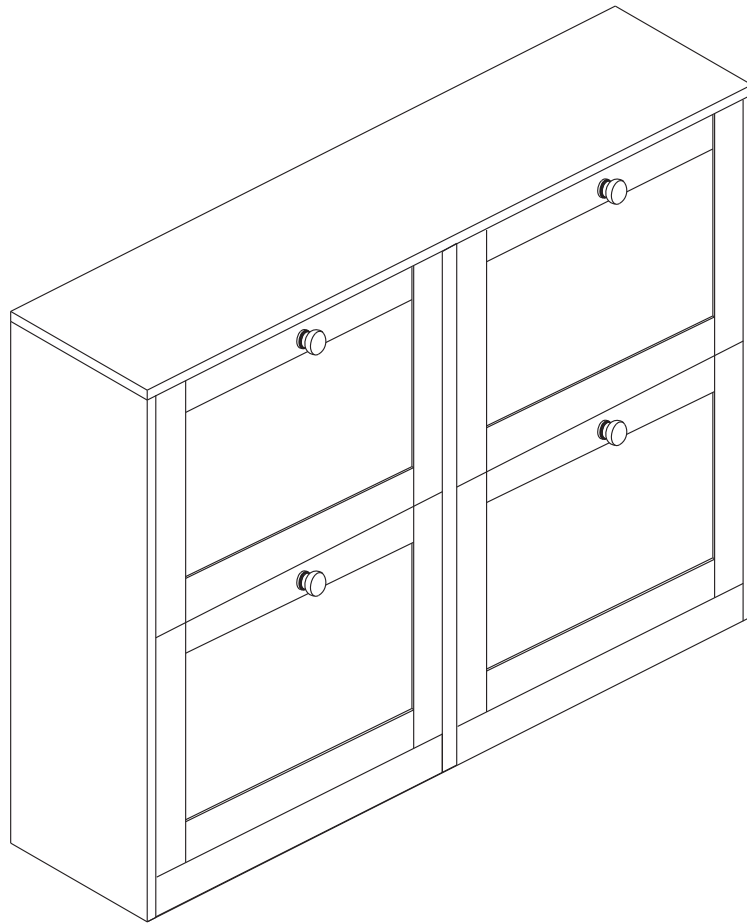
For safety reasons, we recommend you follow these instructions to install the anti-tipping hardware, when installed properly, this hardware may prevent the unit from tipping unexpectedly.

**YOU WILL NEED**

N x2



-WARNING -Serious injury can occur if furniture tips over. Place heavy items on lower shelved and as far back as possible.



## INTRODUCTION

Thank you for purchasing our products. Committed to providing customers with the best quality products and service has always been our lifelong goal. Before using the product, please read this instruction manual carefully to ensure correct use. Keep the instruction manual in a place where the user can find it at any time. If you need further assistance, please contact the customer service online.

## PRECAUTIONS

1. There are many components and accessories in the package. Each component and accessory is labeled with a letter or a number, check carefully before using any of them. Keep them away from children to prevent accidents.
2. Please install the product on a clean and soft underlay (such as carpet or cardboard) to avoid scratching or damaging the surface of the product.
3. The main components of the product is relatively heavy. Please pay attention to safety during installation.
4. The product is not stable during installation. Please do not move it randomly before it is completely installed.
5. If you have any questions during installation, please contact the customer service in time.

**\*PLEASE BE SURE TO FOLLOW THE INSTALLATION STEPS IN THE MANUAL TO AVOID UNNECESSARY LOSSES CAUSED BY IMPROPER INSTALLATION.**