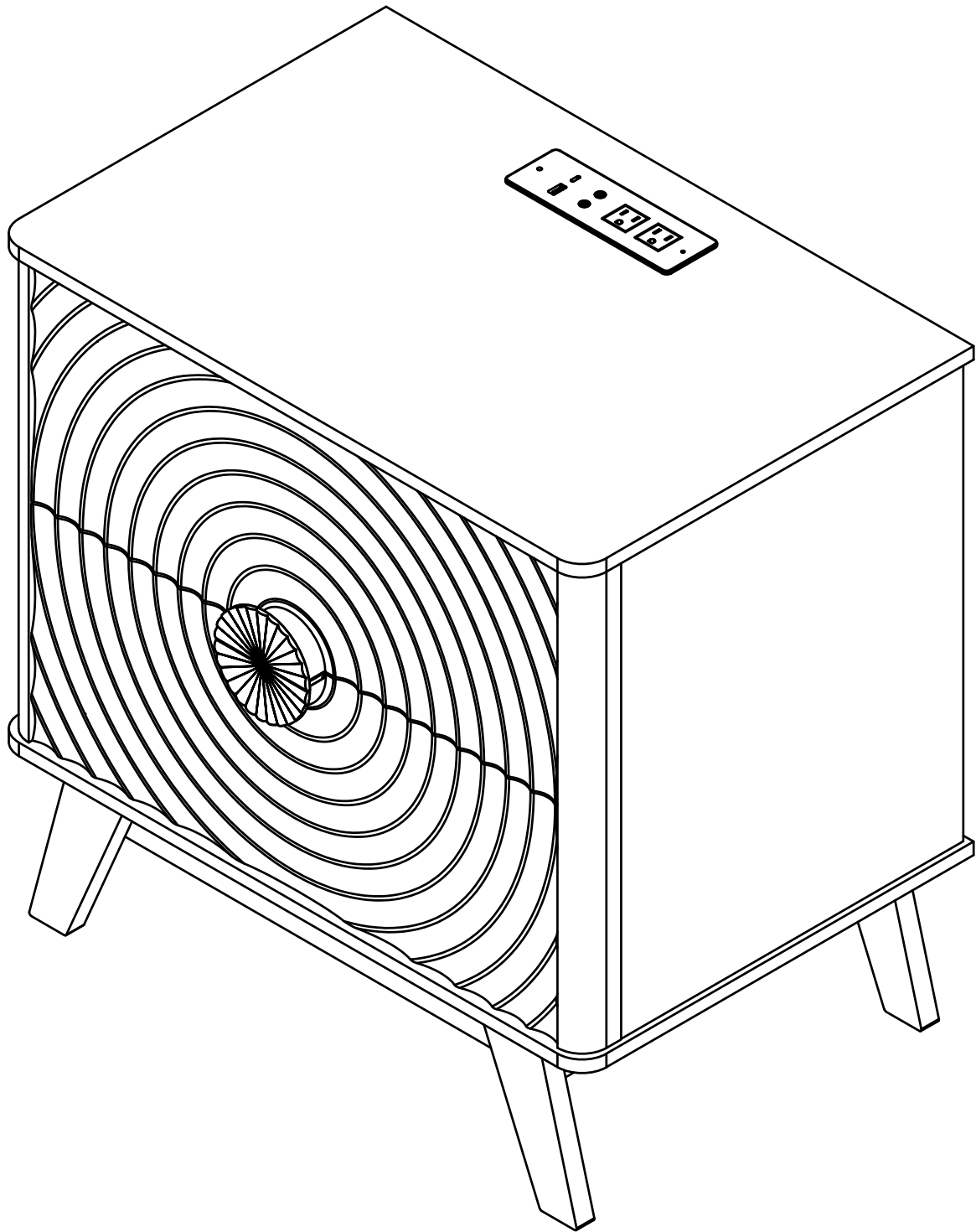
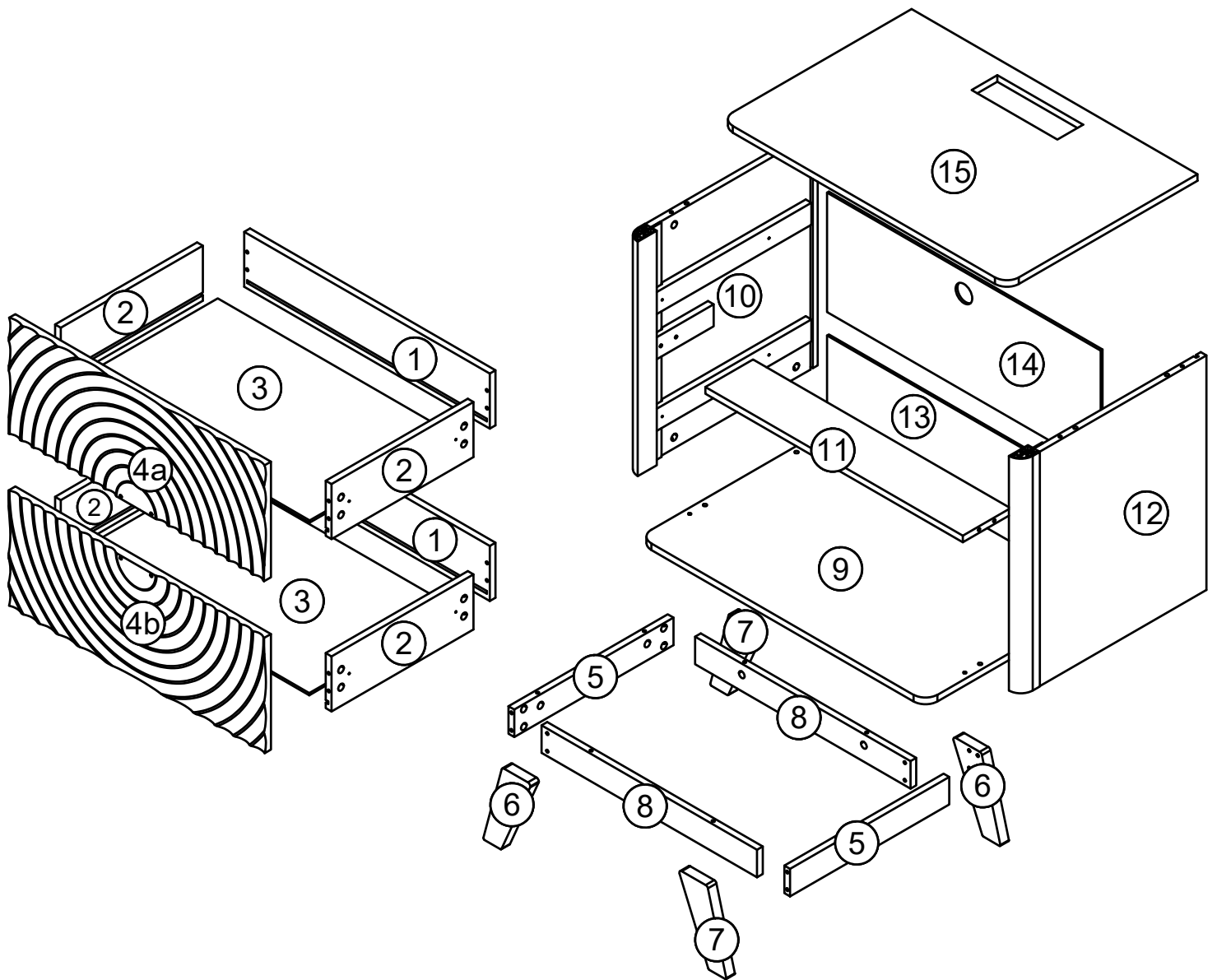
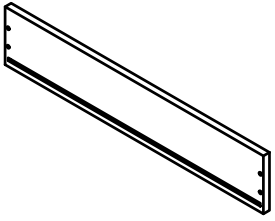


Product Installation Instructions

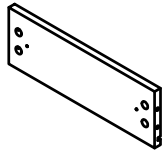


Product structure decomposition

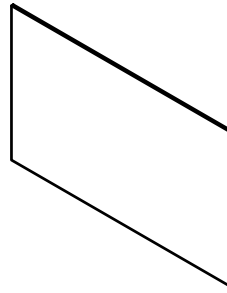




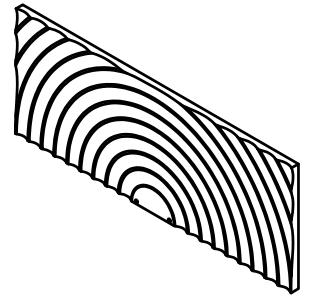
1x2



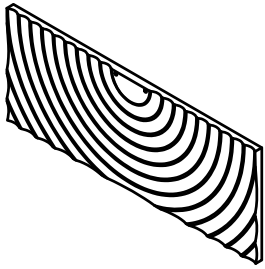
2x4



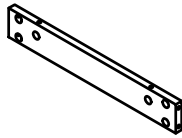
3x2



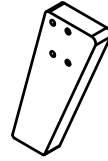
4ax1



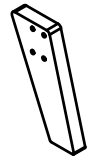
4bx1



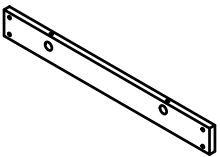
5x2



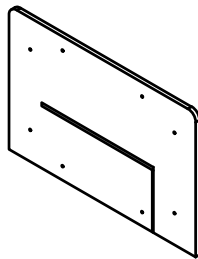
6x2



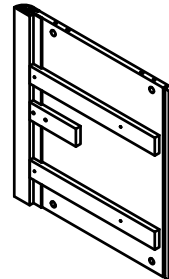
7x2



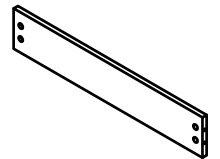
8x2



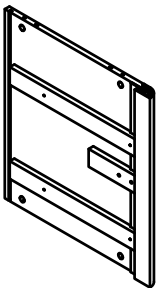
9x1



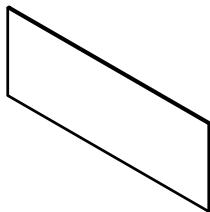
10x1



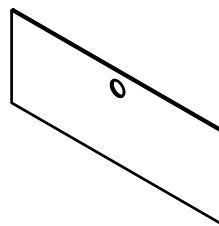
11x1



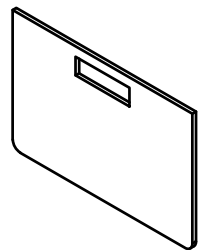
12x1



13x1

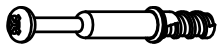

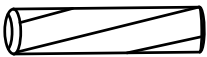


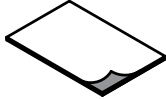

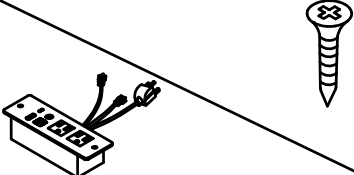



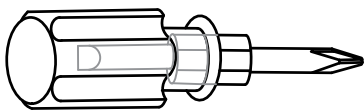
14x1



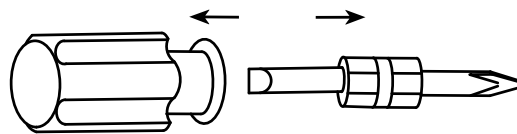
15x1

Accessories list

A		Two In One Screw (6x28mm)	44pcs +3pcs
B		Two In One Nut (10x12mm)	44pcs +3pcs
C		Wood Chipping (6x30mm)	8pcs +1pcs
D		Handle & Screw (4x18mm)	4pcs +2pcs 2pcs
E		Screw & Guide(12inch) (3x12mm)	20pcs +5pcs 4pcs
F		Non-slip pads	4pcs
G		Confirmat Screws (7x28mm)	8pcs
H		Power Socket & Screw (3x10mm)	2pcs 1pcs
I		Fixing clip & screw (3x16mm)	4pcs +2pcs

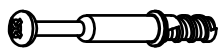


1pcs



Double-head screwdriver, use as required

A



16 pcs

B



16 pcs

D



2 pcs



4 pcs

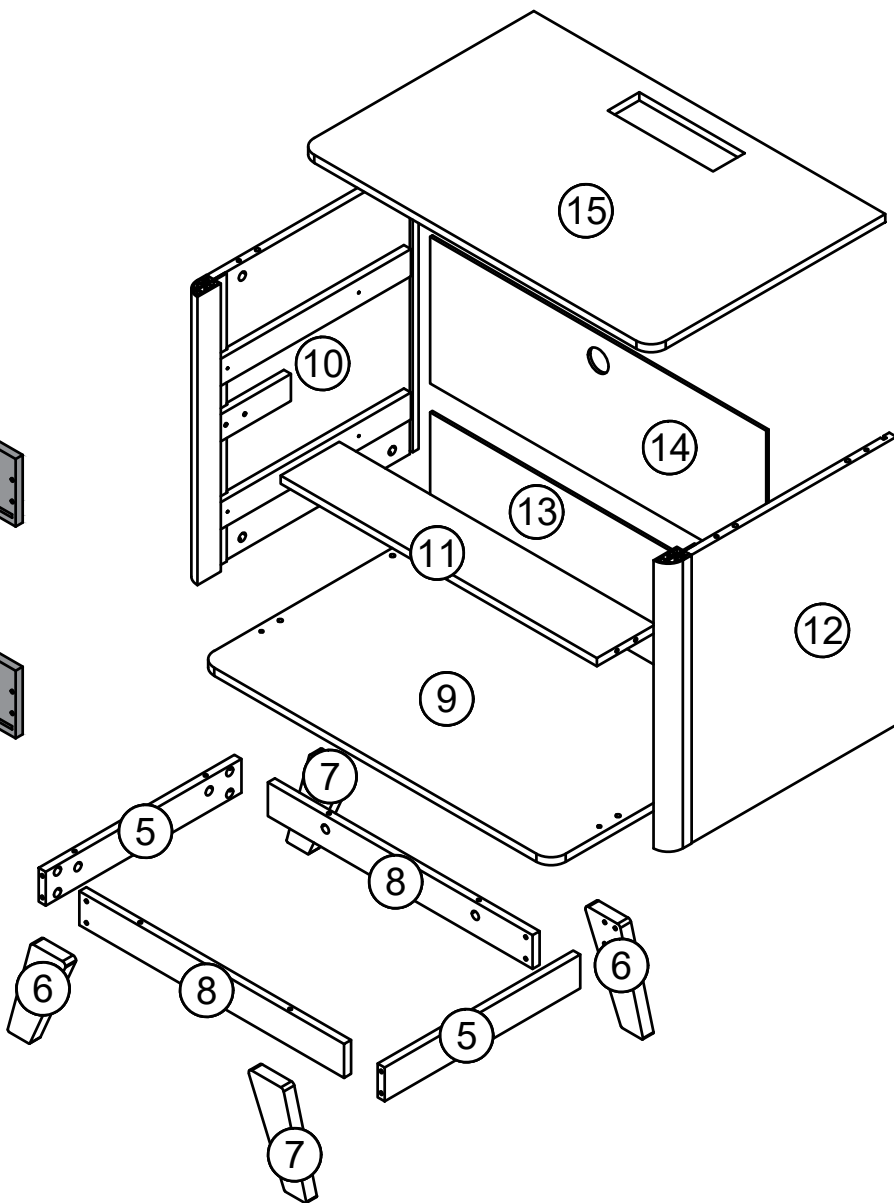
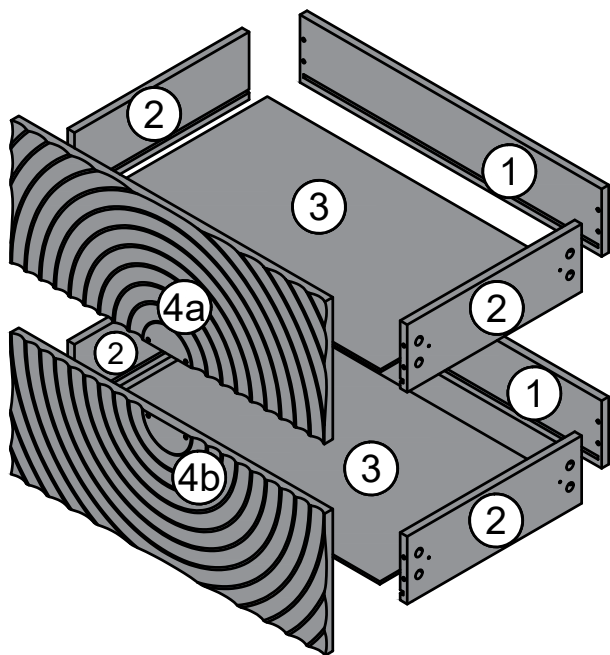
E



4 pcs

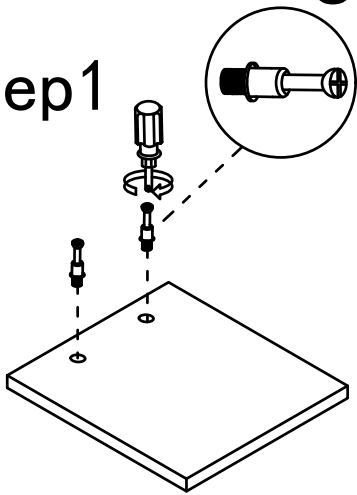


8 pcs

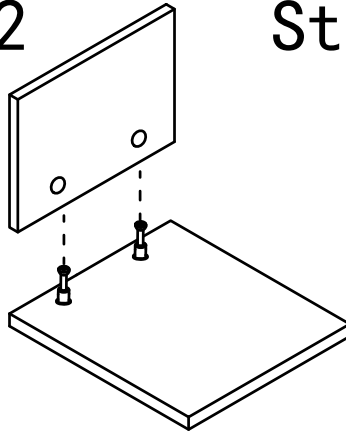


Use parts (A) and (B)

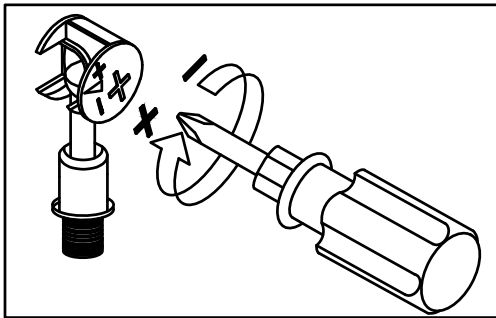
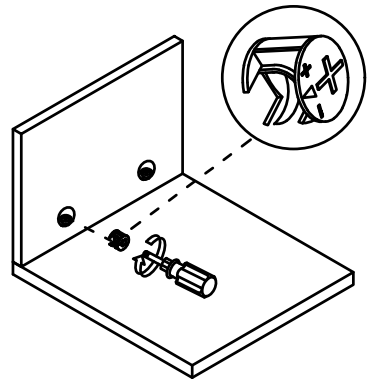
Step1



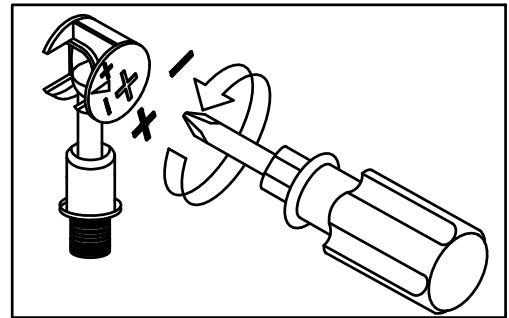
Step2



Step3

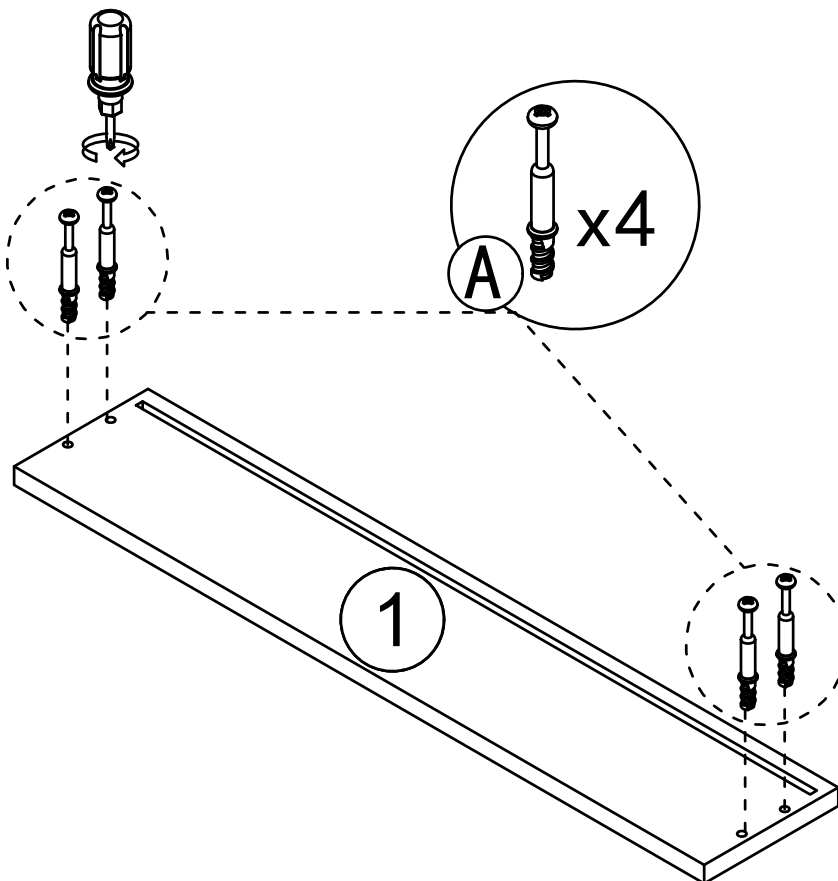
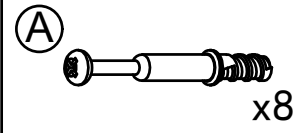


Use a screwdriver to lock in the direction of the "+" sign



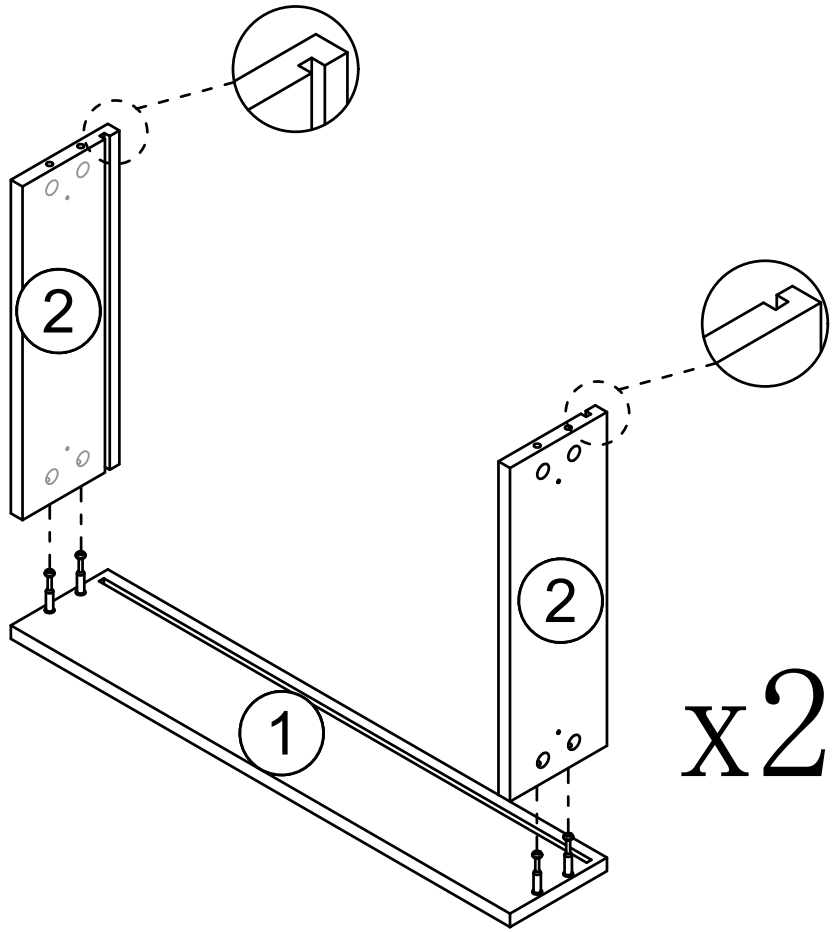
Disassemble along the direction of "-" sign

Step 1



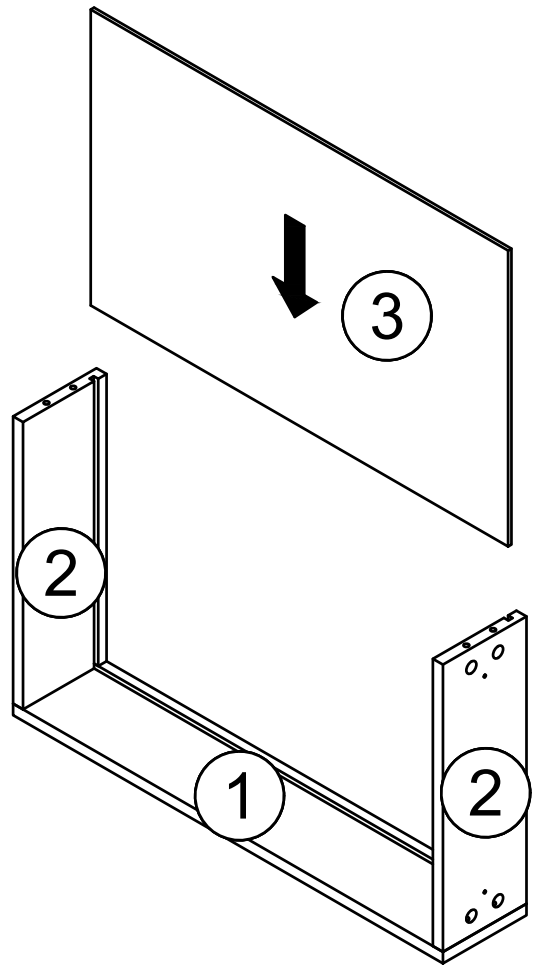
x2

Step 2

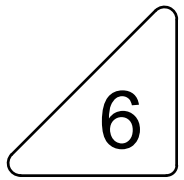


x2

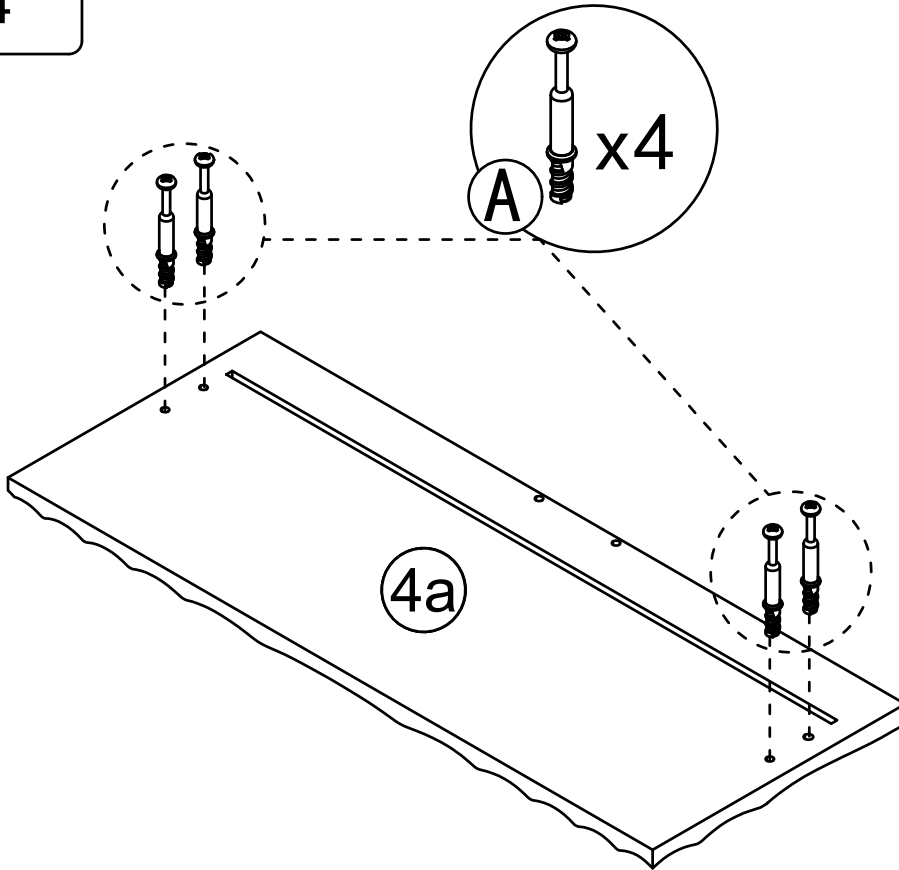
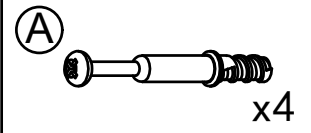
Step 3



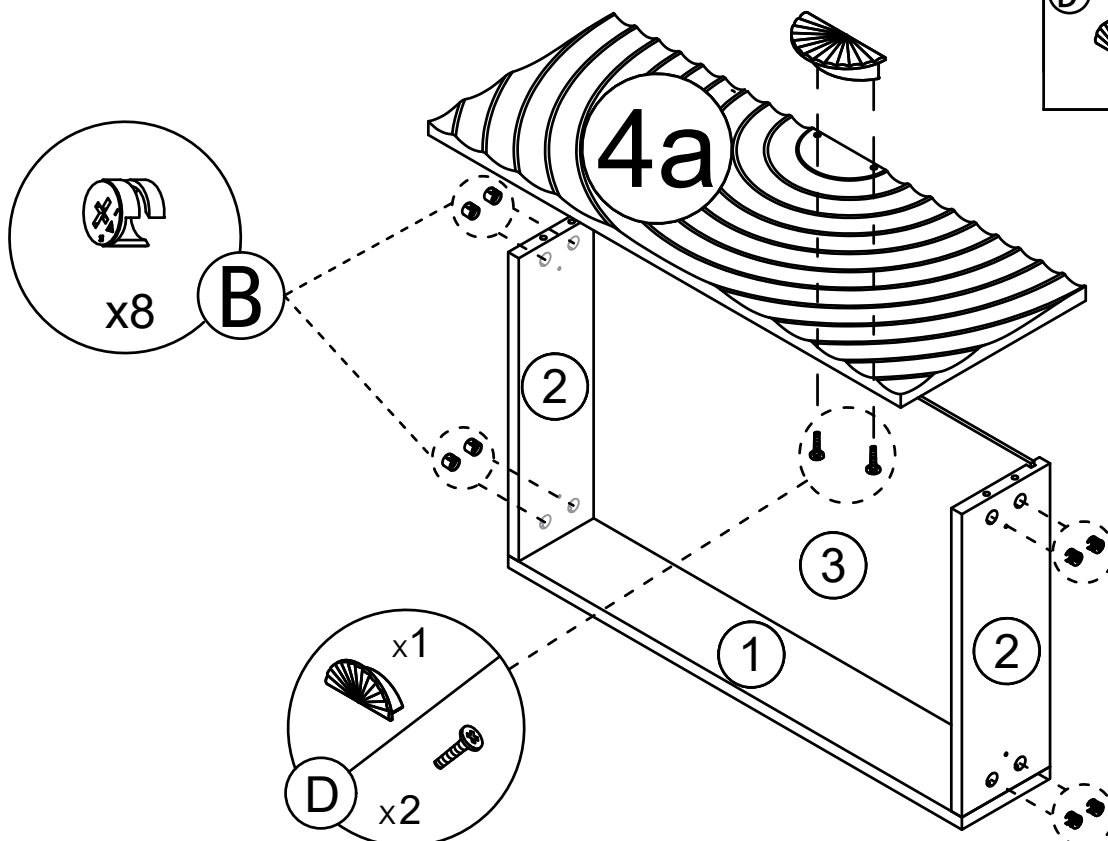
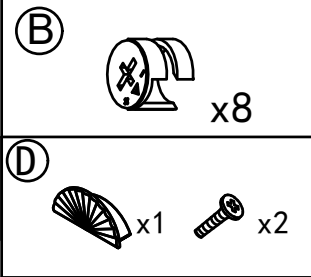
x2



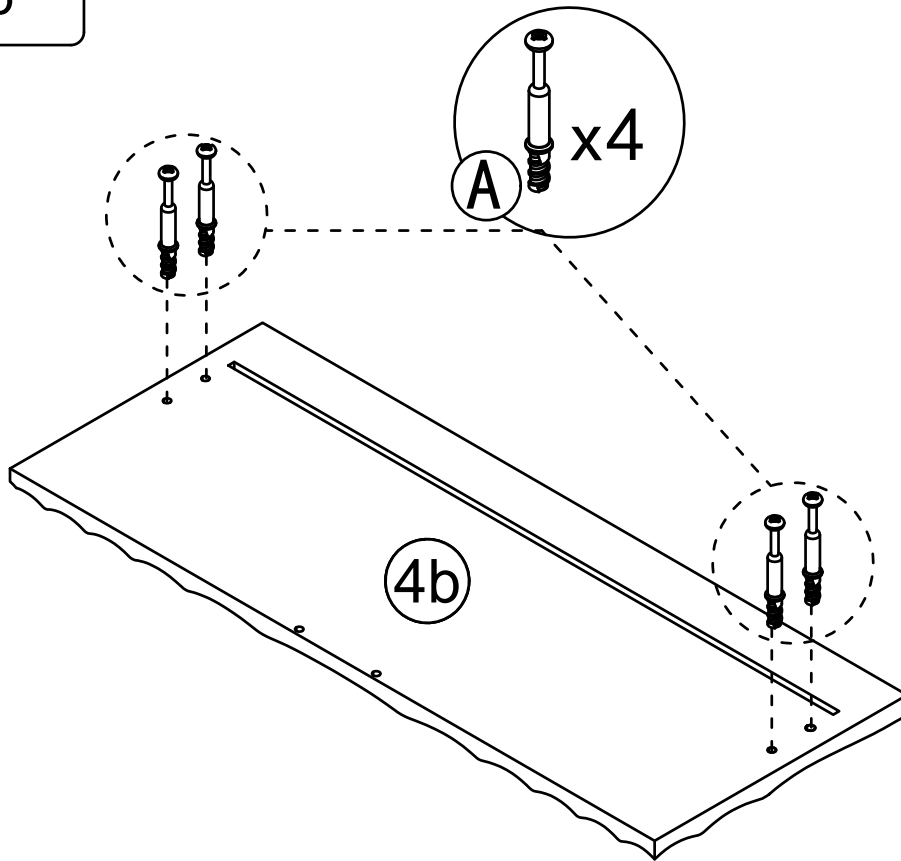
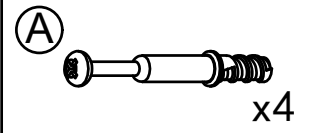
Step 4



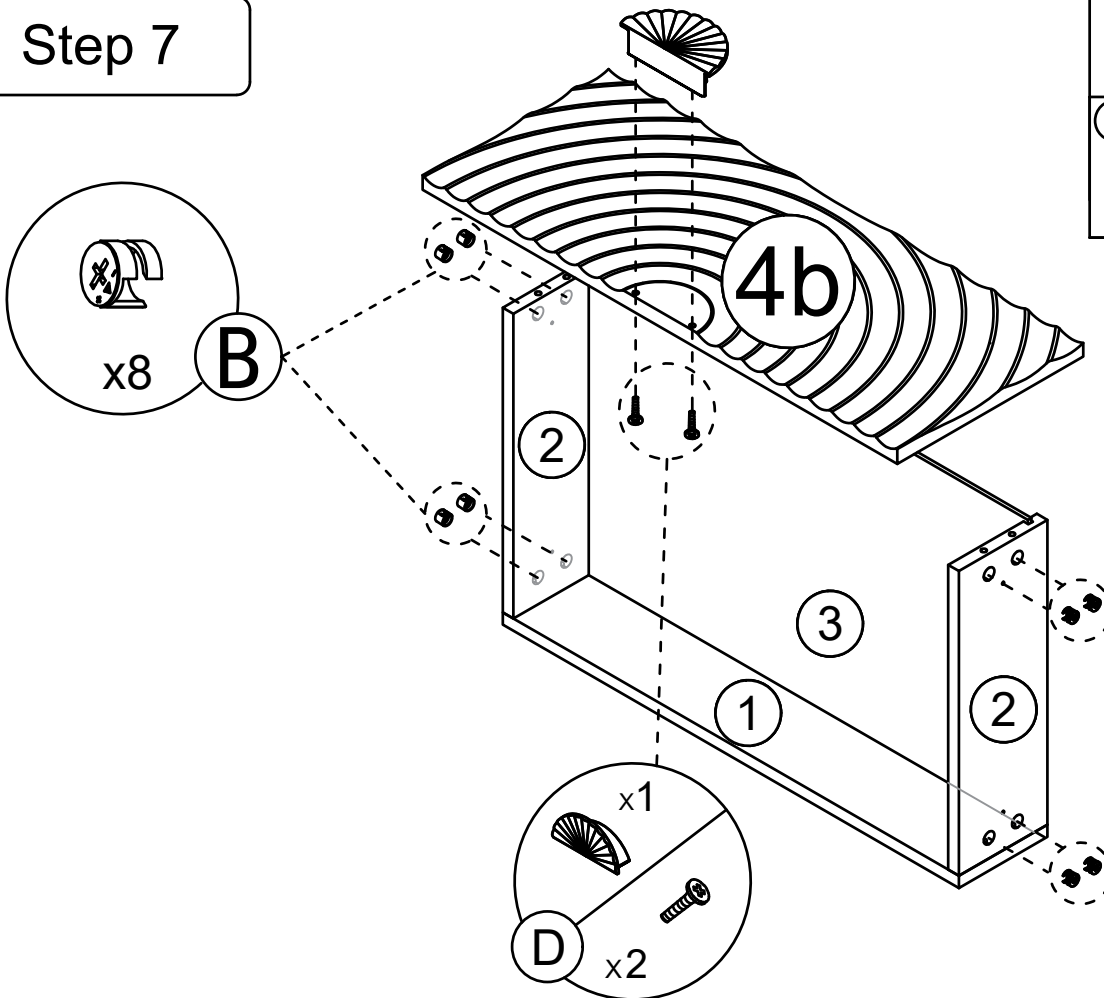
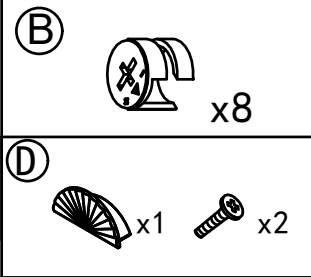
Step 5



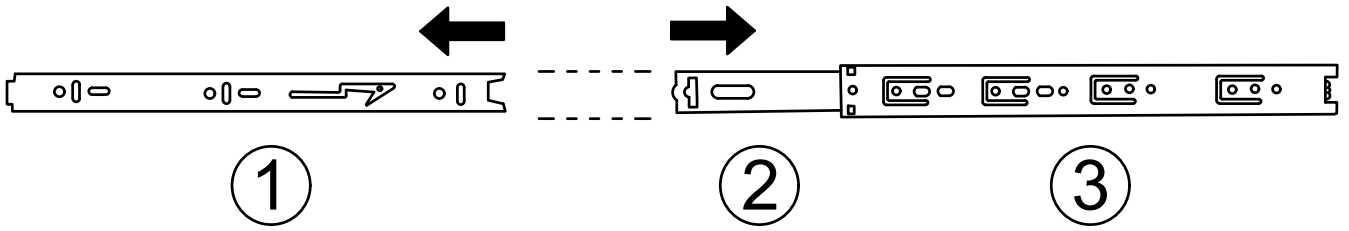
Step 6



Step 7

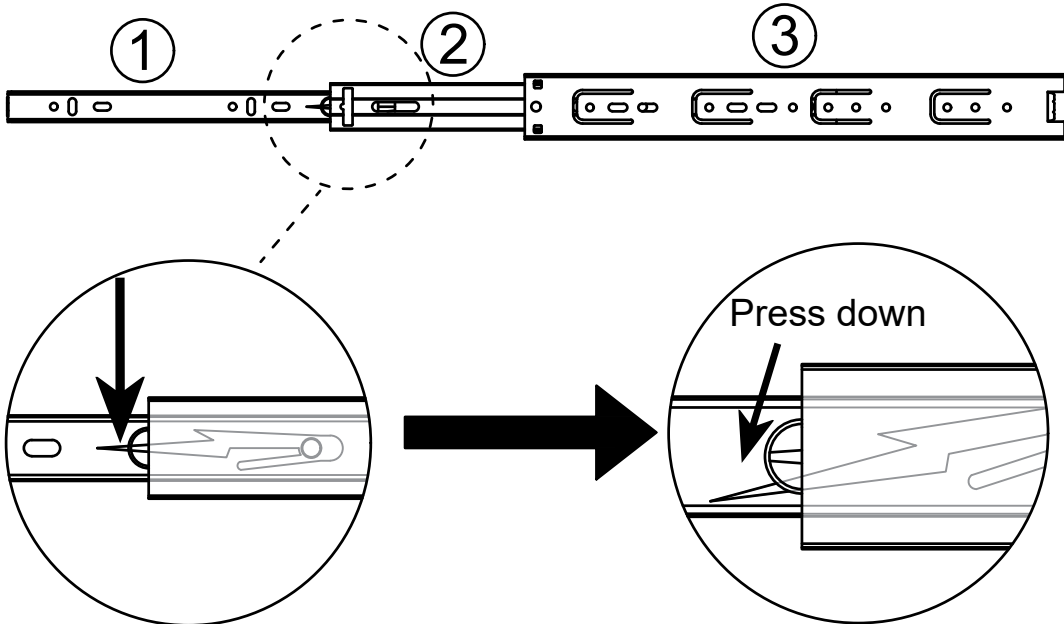


Drawer rail breakdown diagram



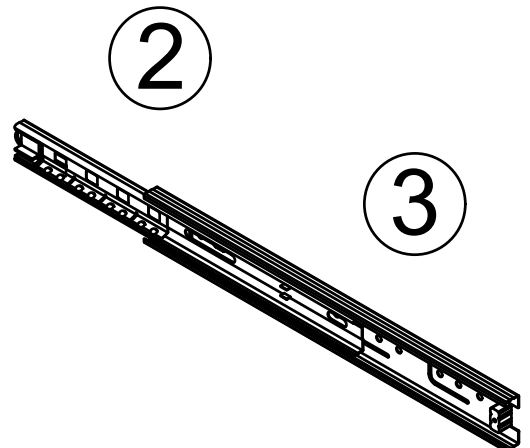
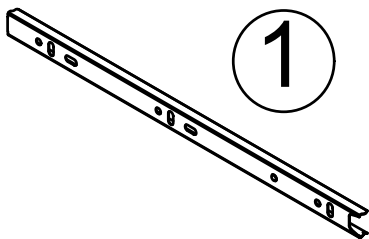
① Dismantle the schematic diagram

Step 1 : Pull the rails apart

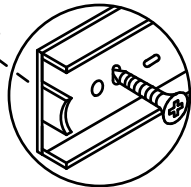
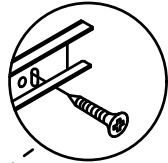
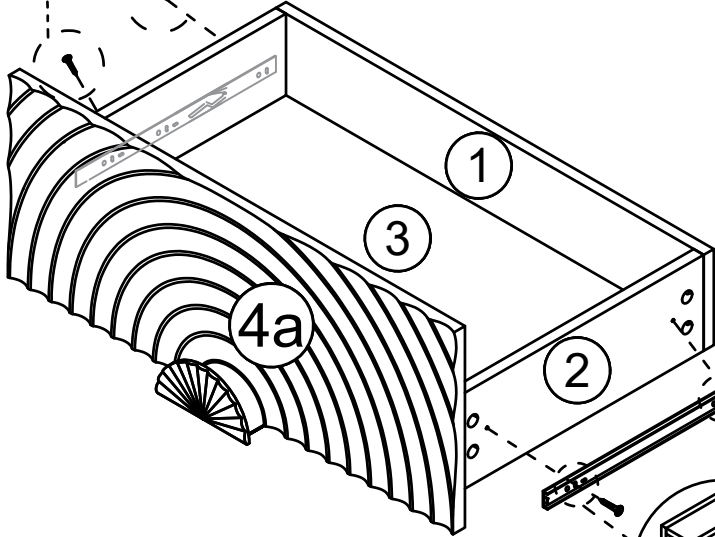
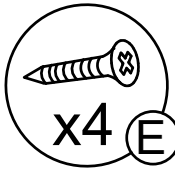
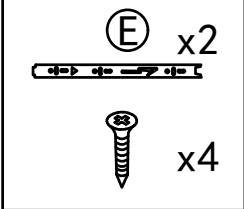
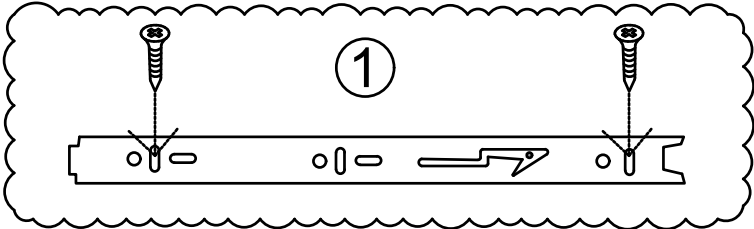


Step 2 : Press the nylon button and pull out ①.

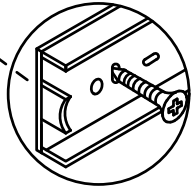
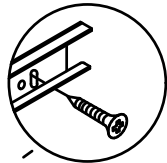
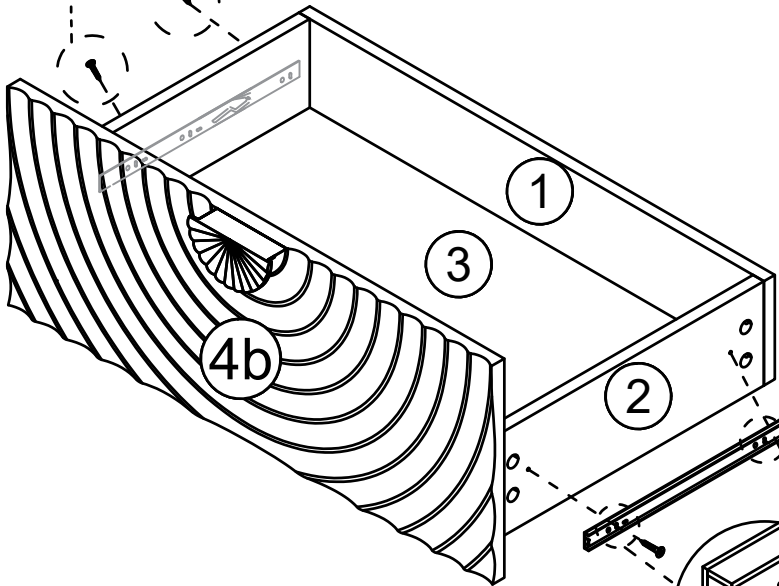
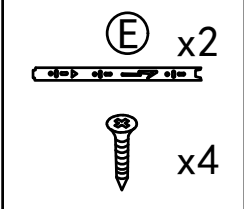
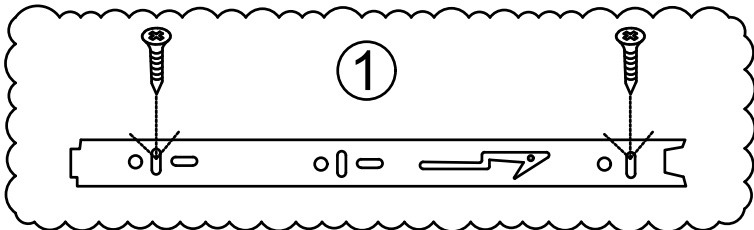
Drawer rail decomposition completed schematic diagram

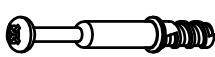

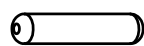





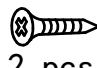




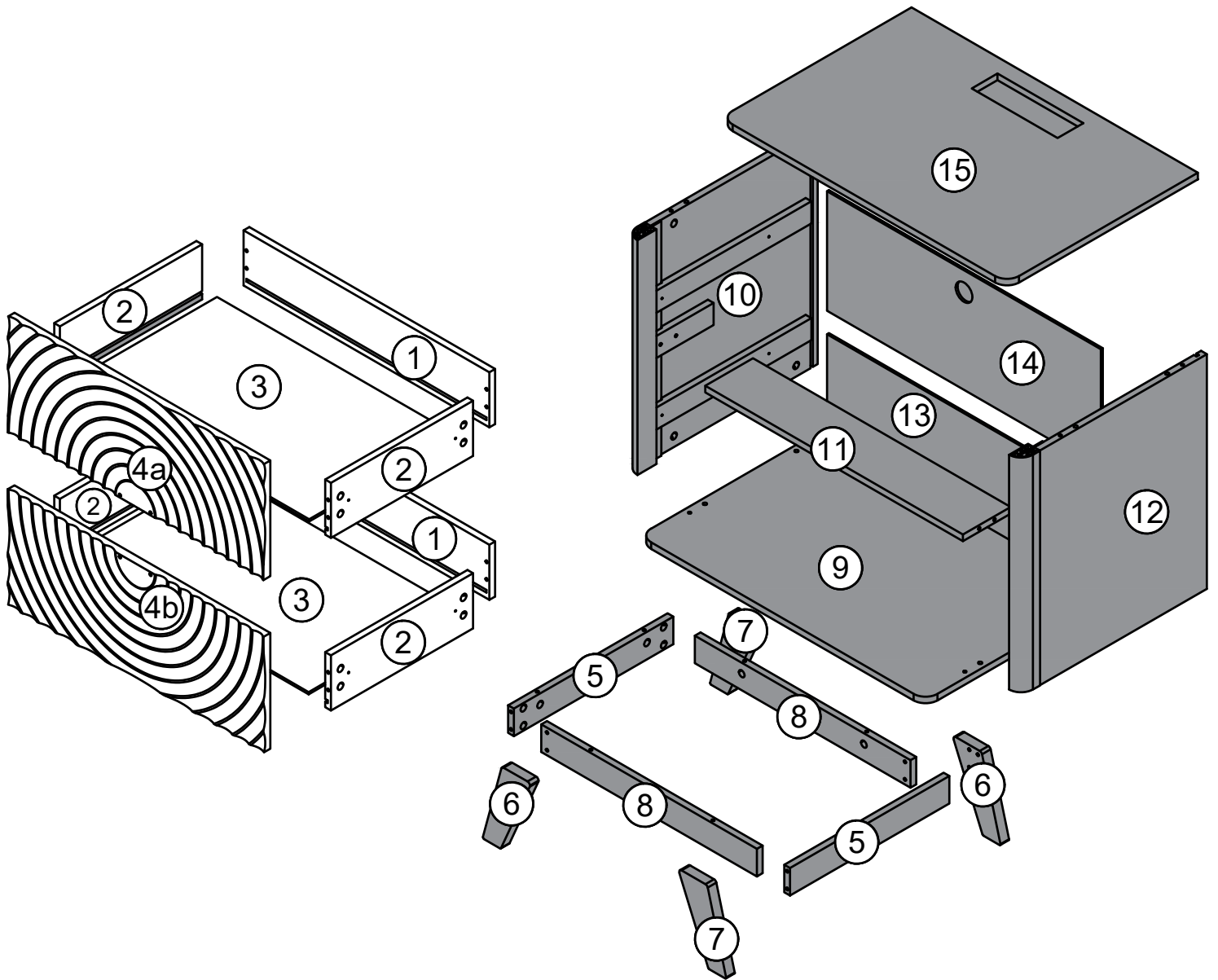
Step 8



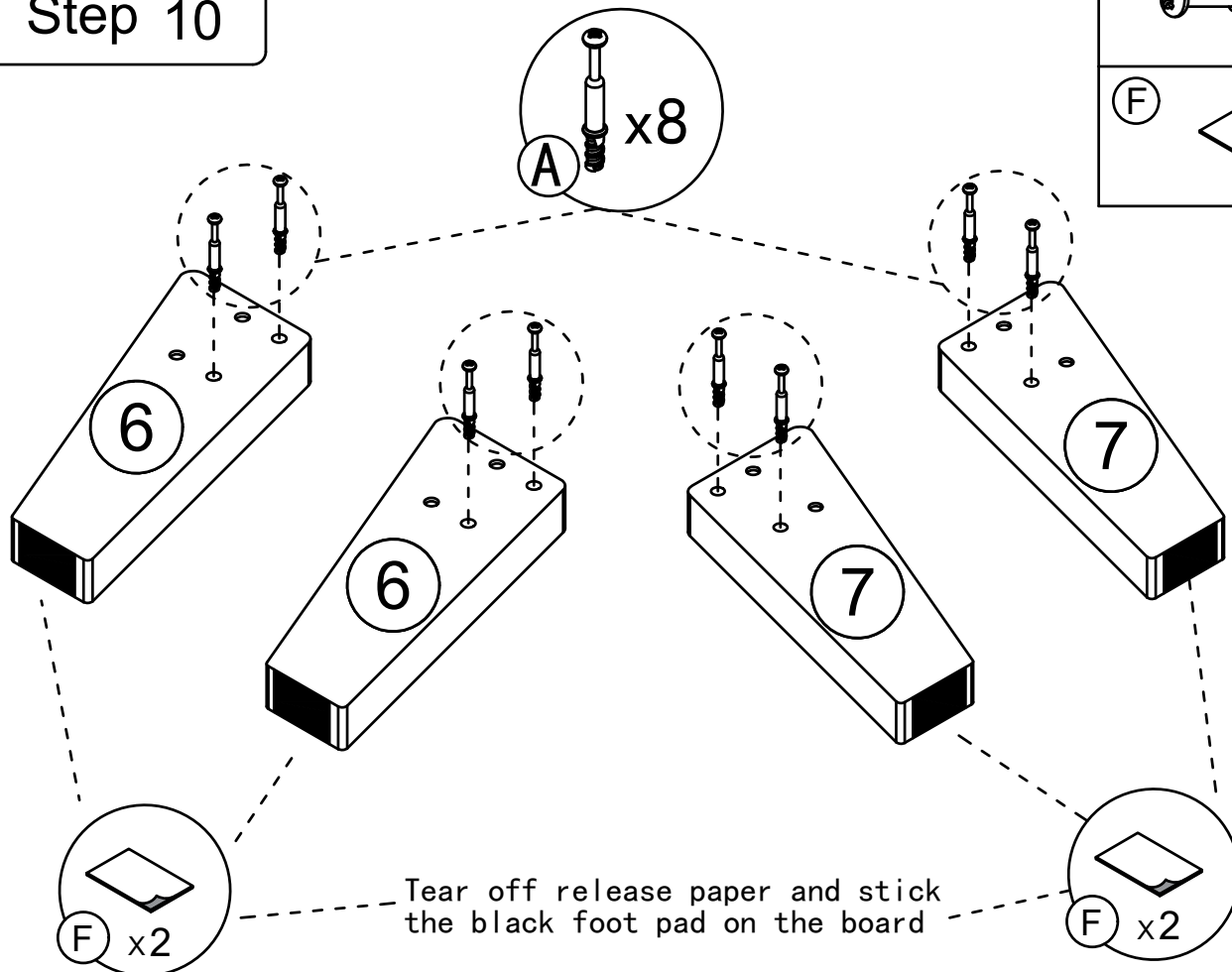
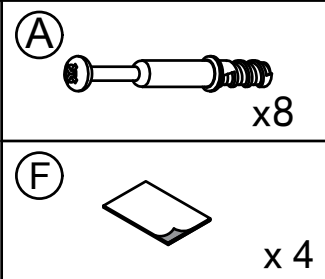
Step 9



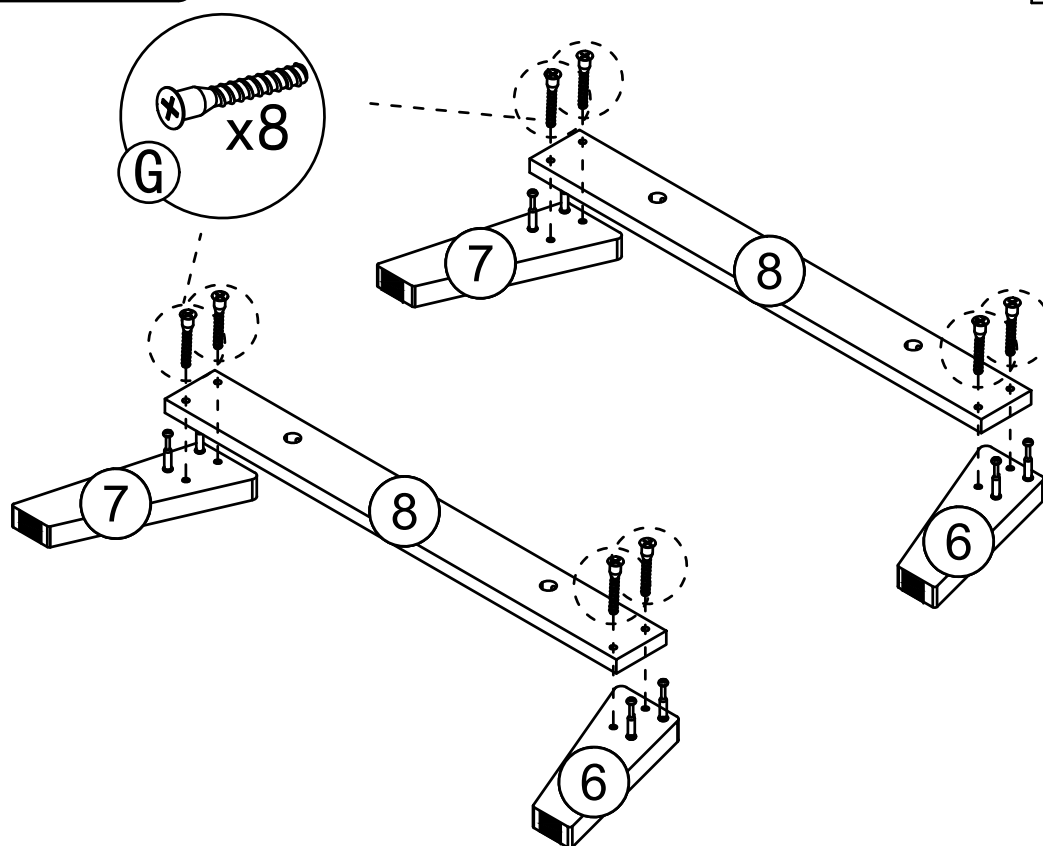
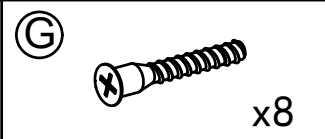
A		28 pcs	B		28 pcs	C		8 pcs		
E		4 pcs		12 pcs	F		4 pcs	G		8 pcs
H		1 pcs		2 pcs	I		4 pcs		4 pcs	



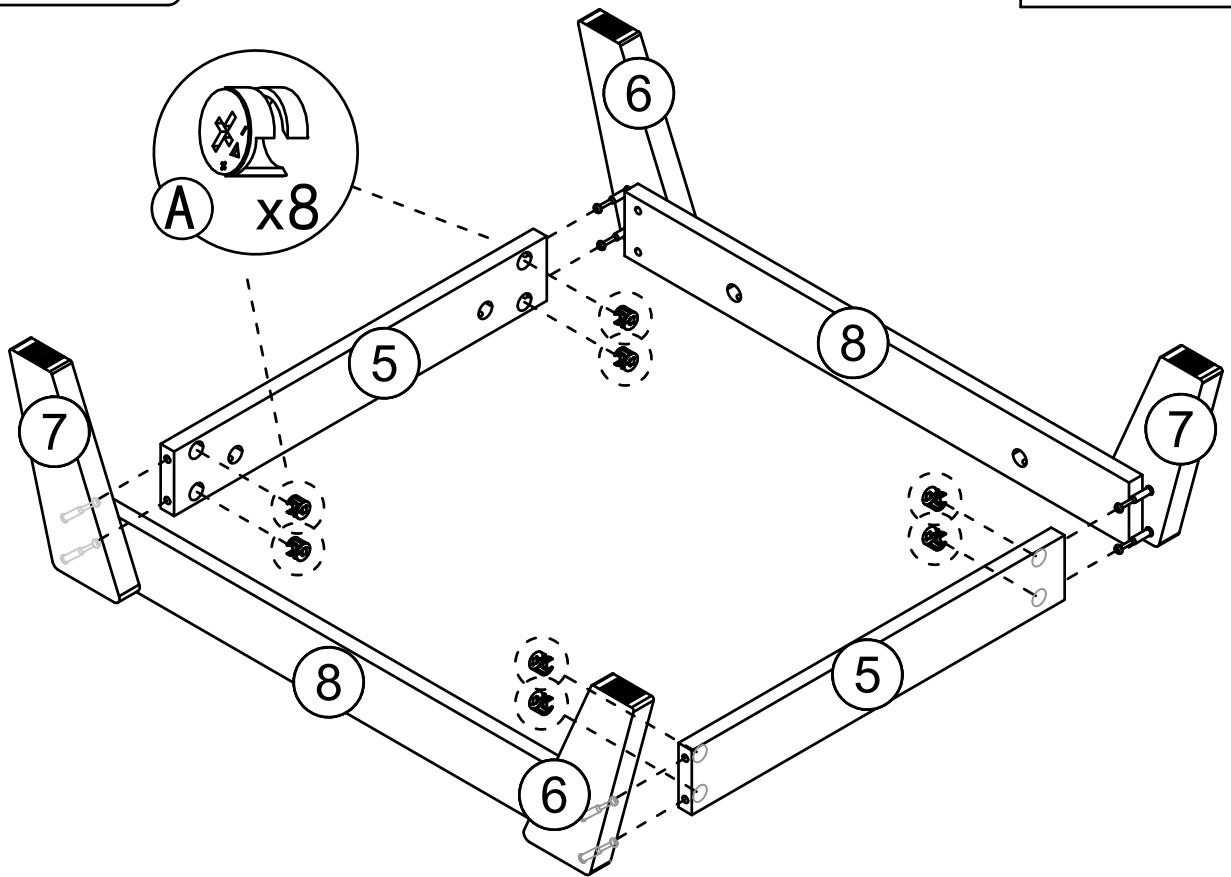
Step 10



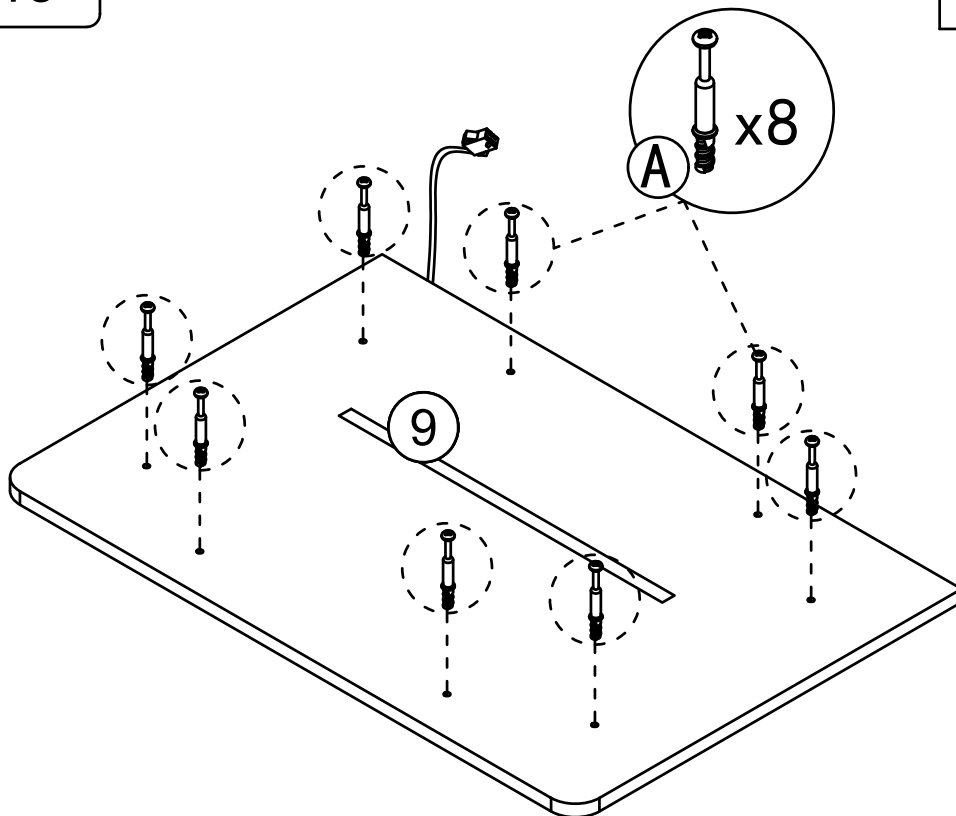
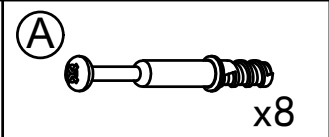
Step 11



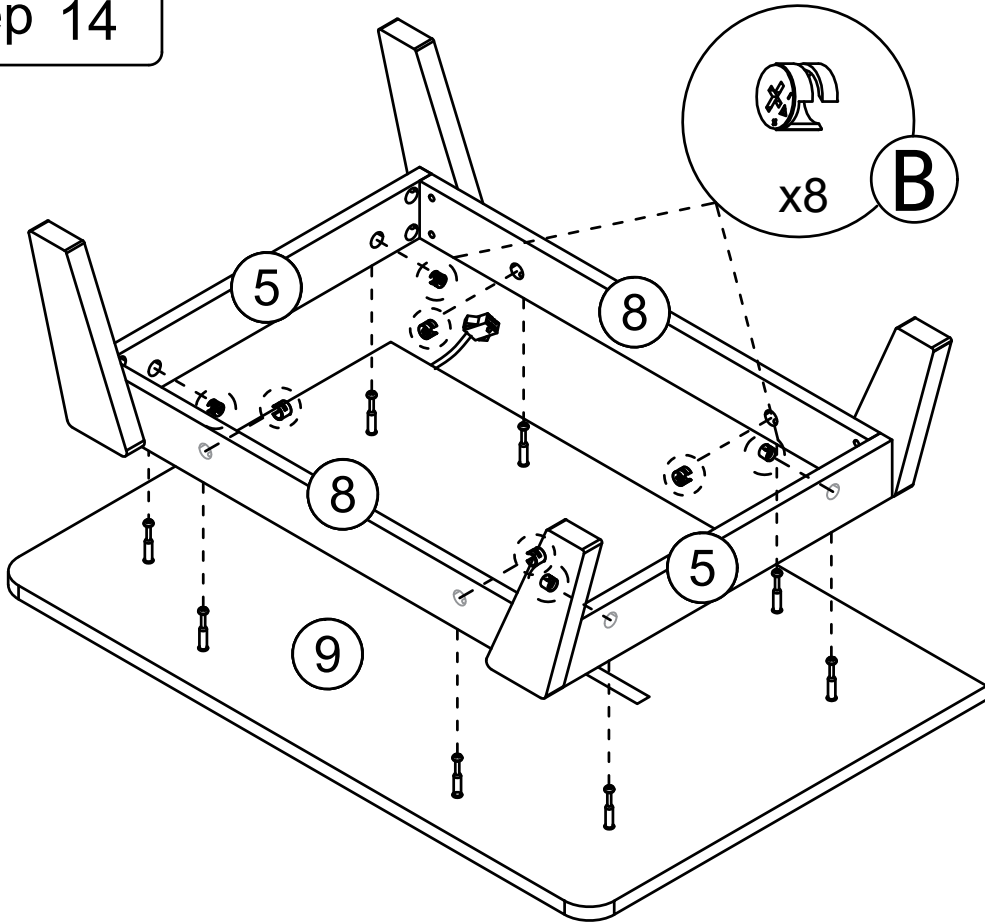
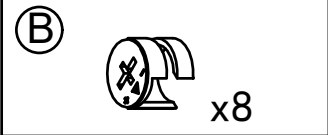
Step 12



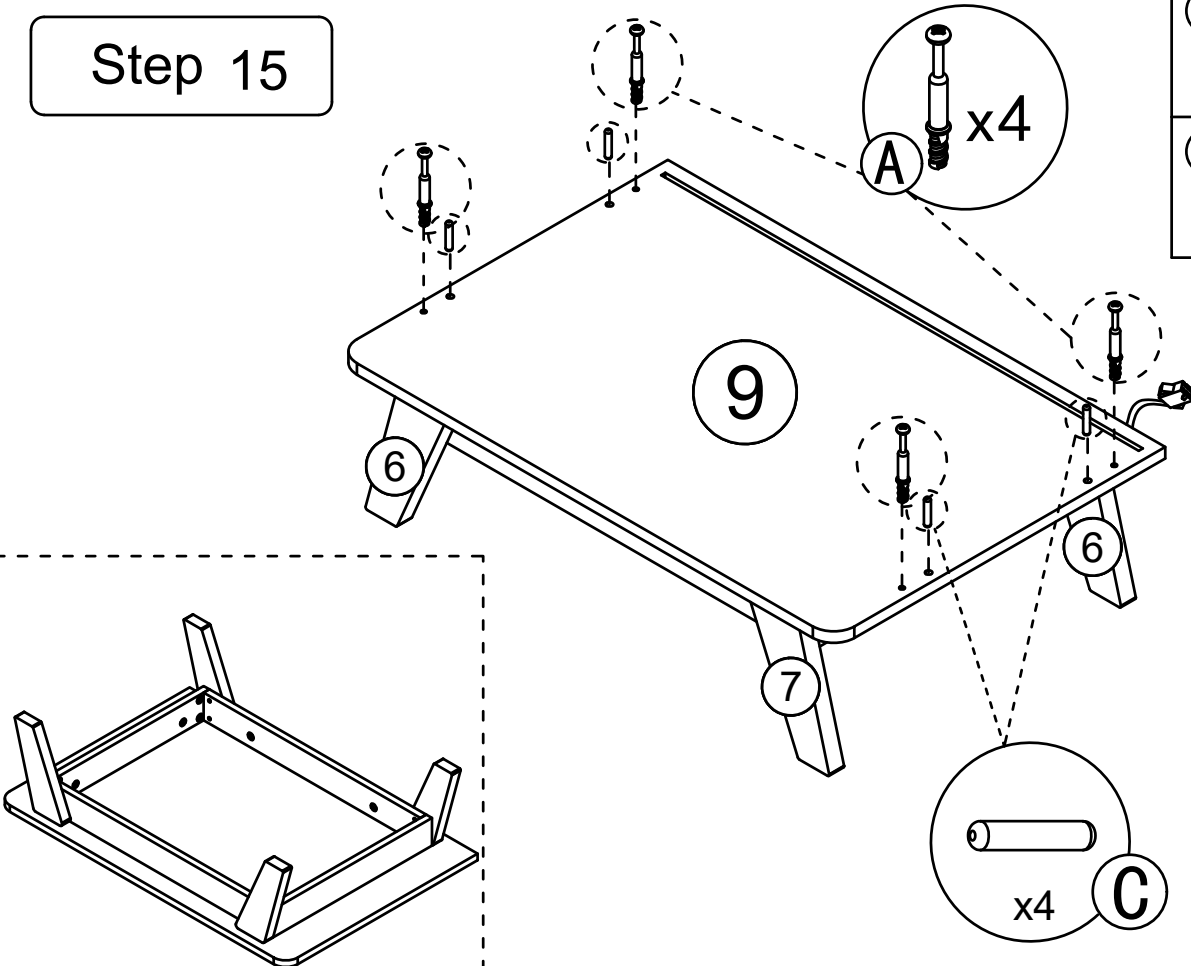
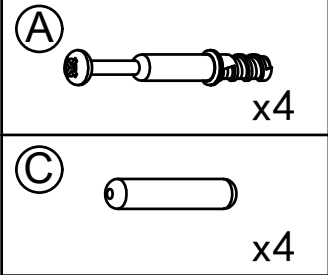
Step 13



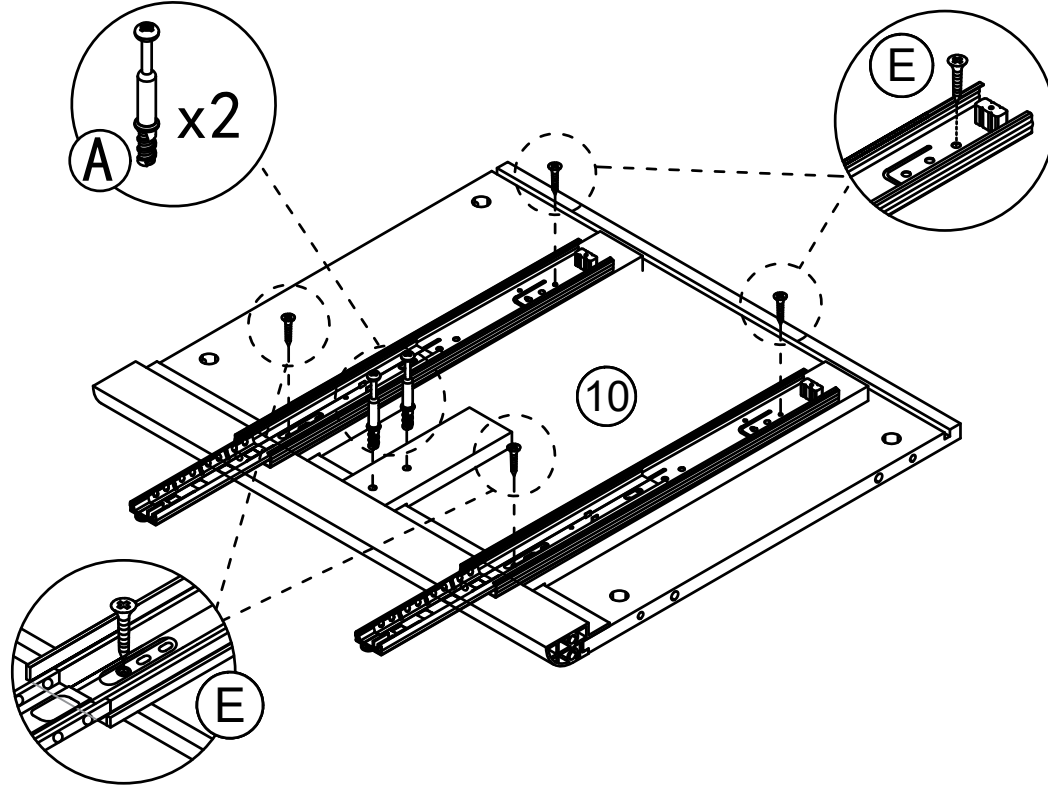
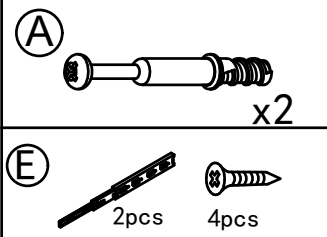
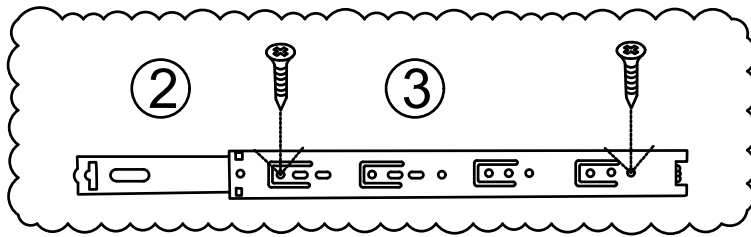
Step 14



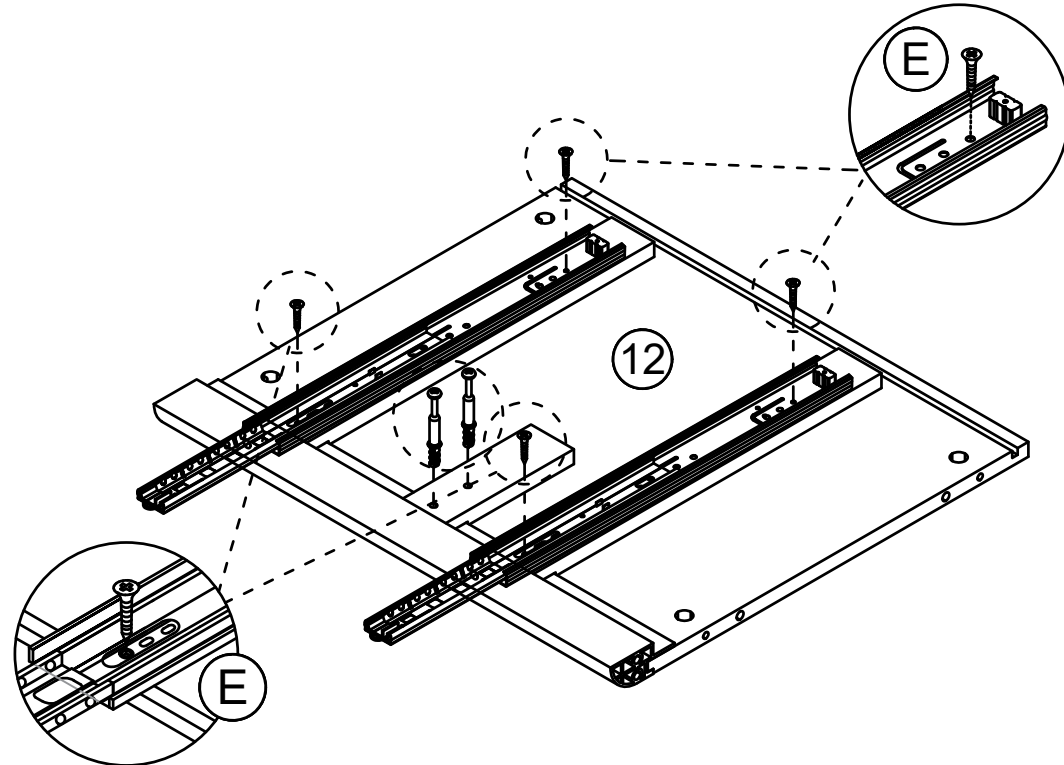
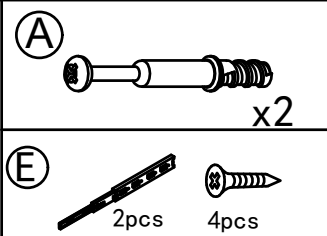
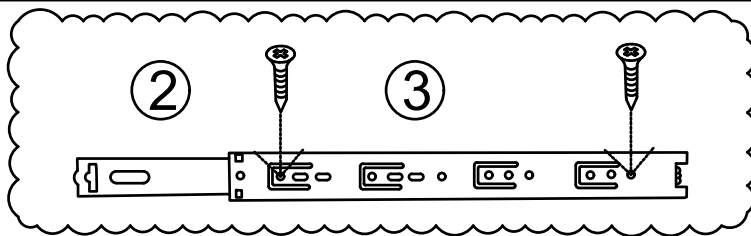
Step 15



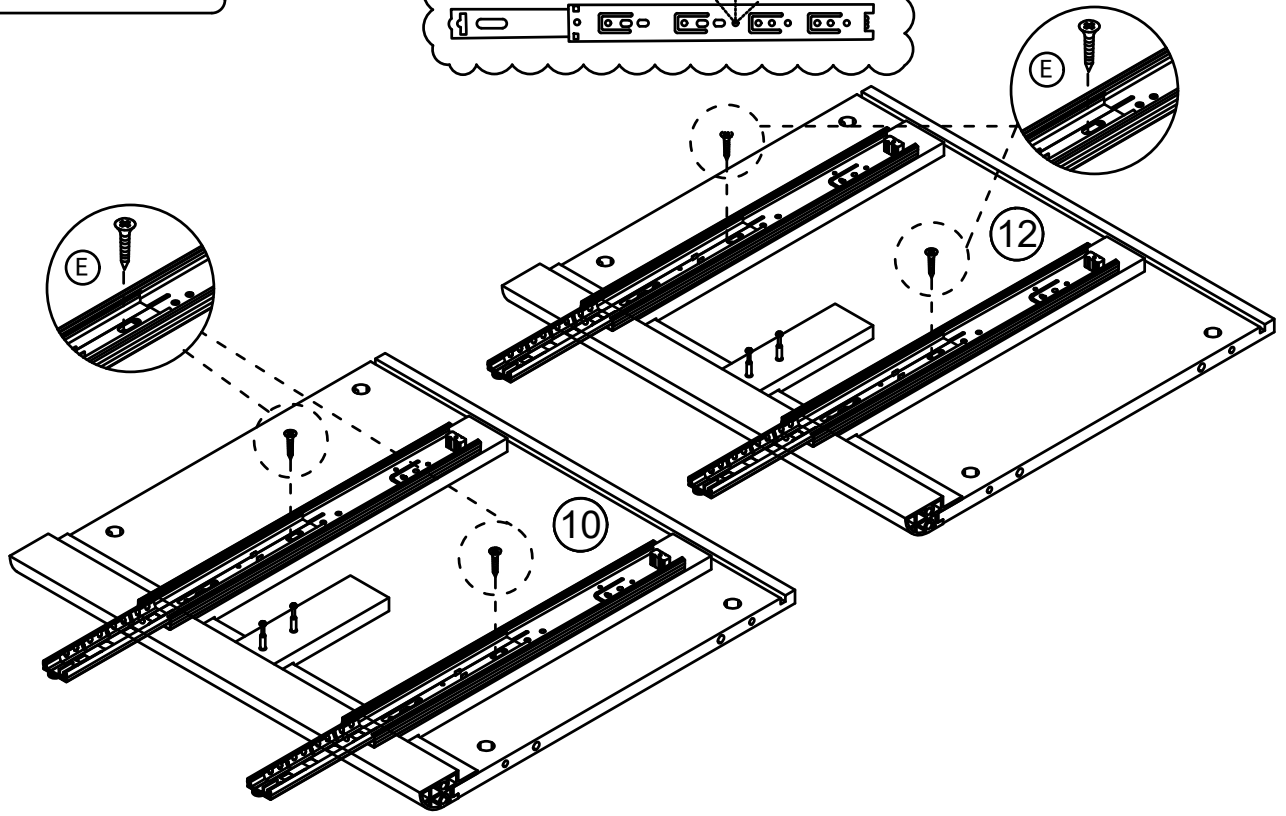
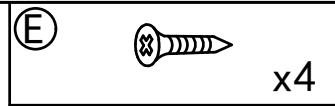
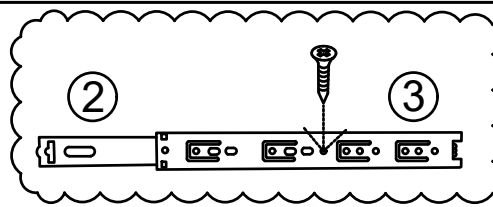
Step 16



Step 17

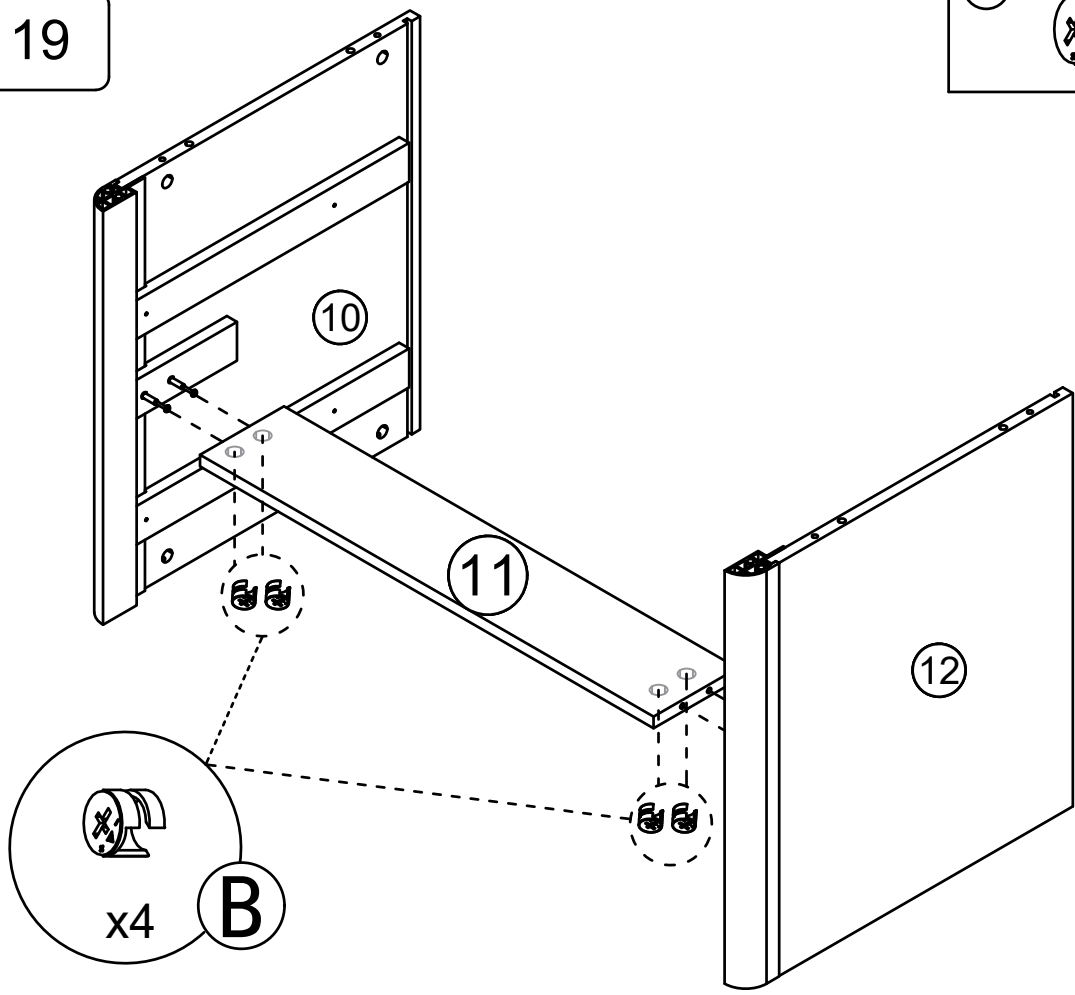
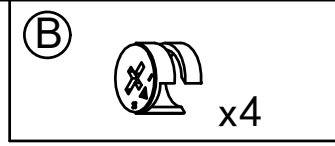


Step 18

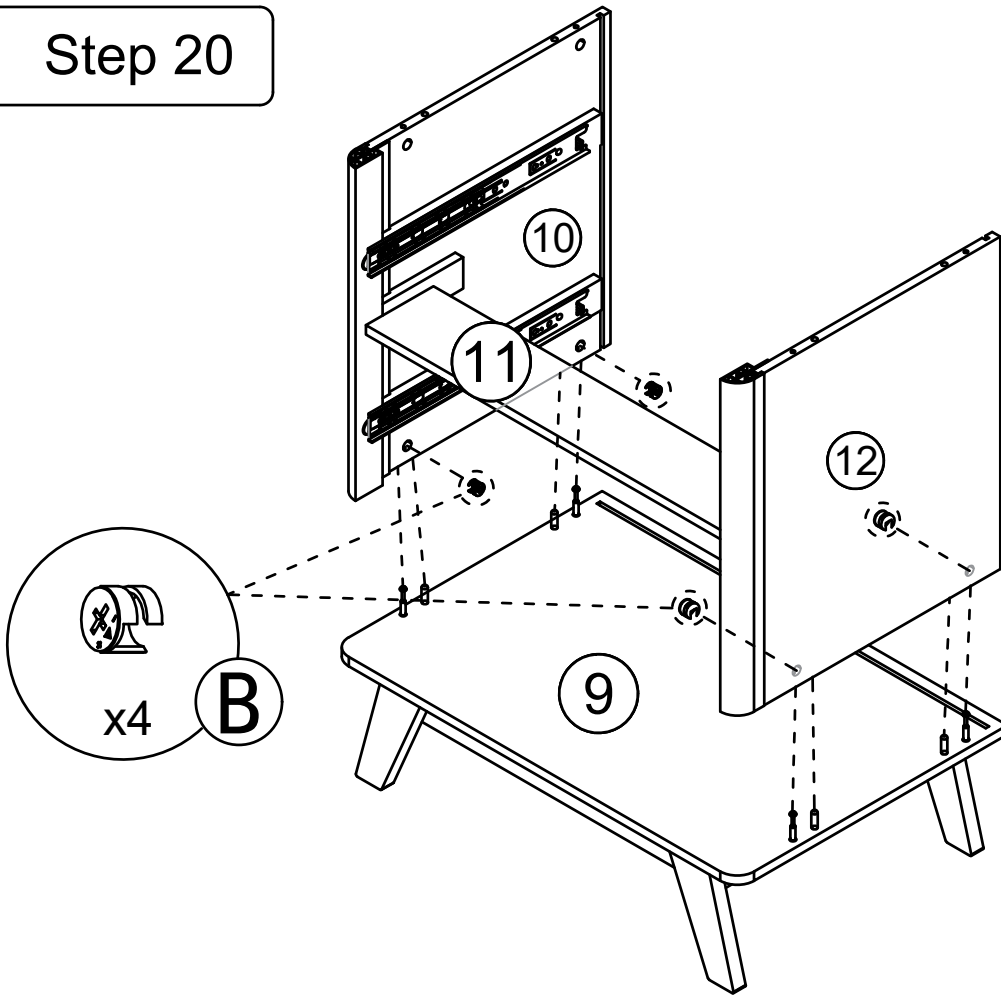


This hole is for strengthening fixed hole customers can choose to install according to their needs.

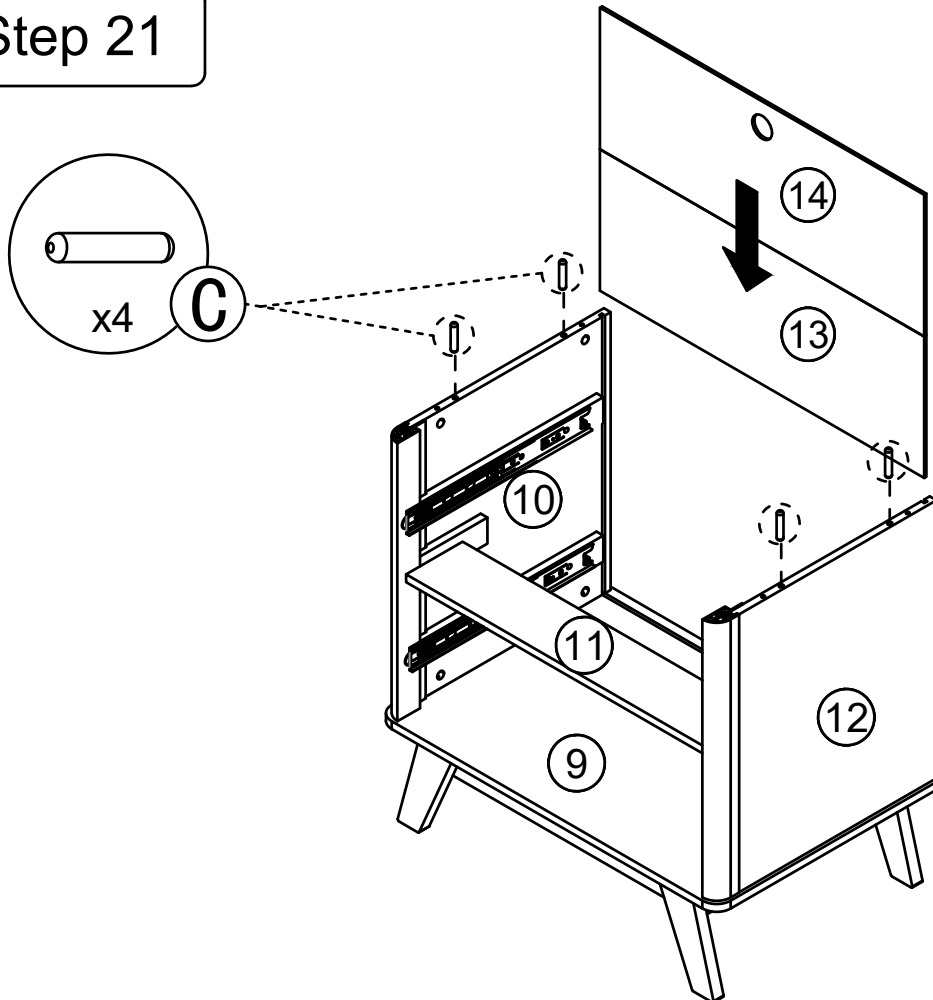
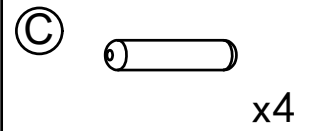
Step 19



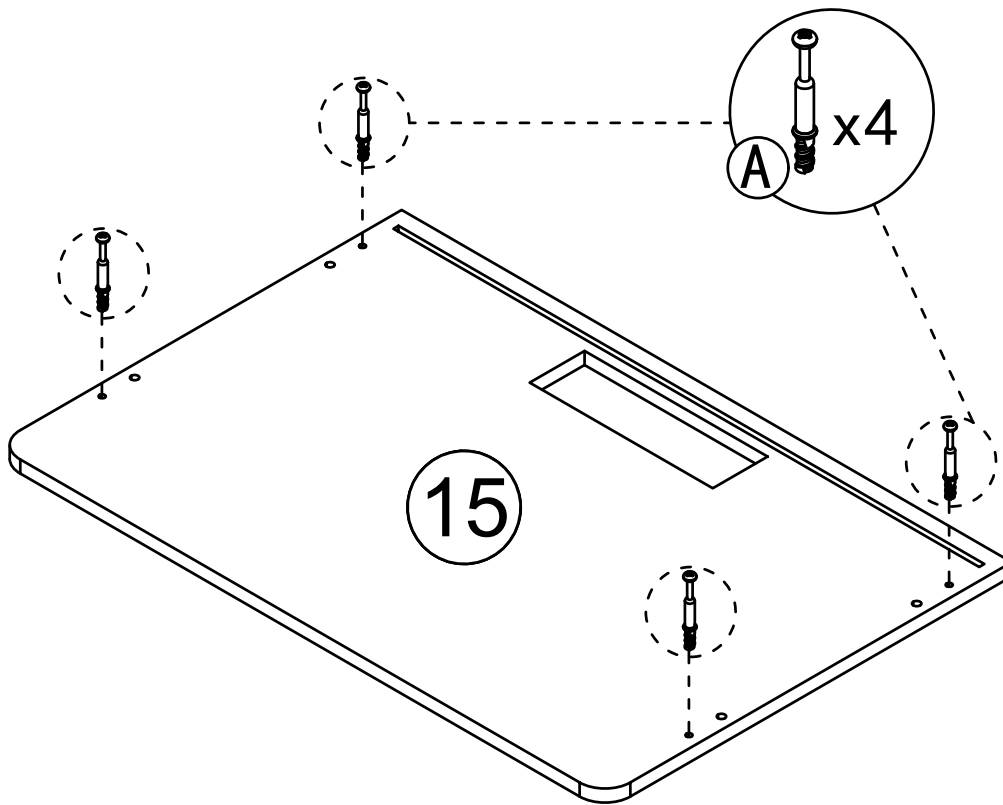
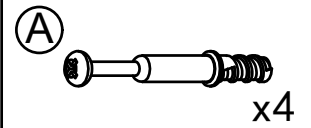
Step 20



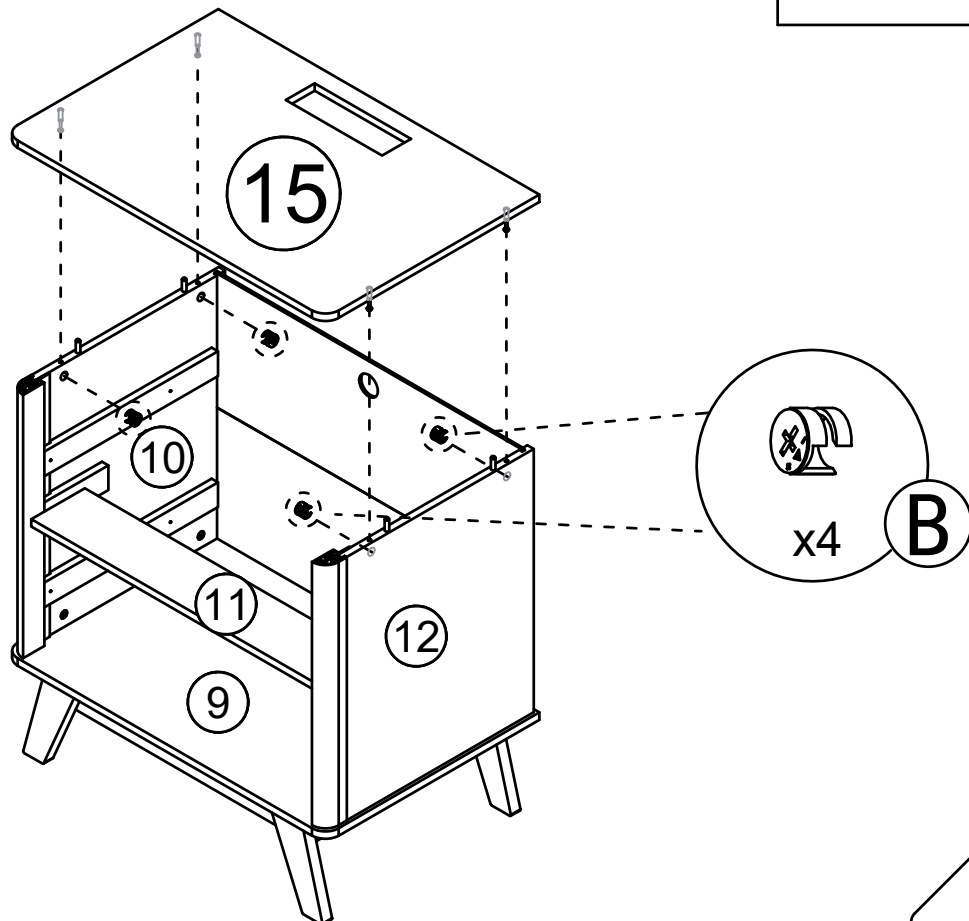
Step 21



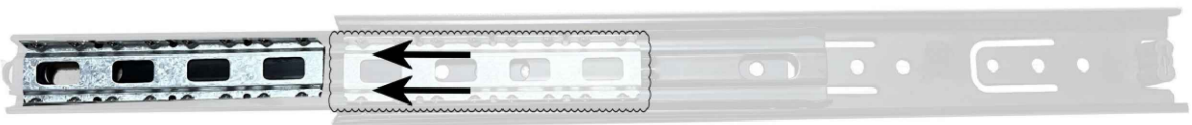
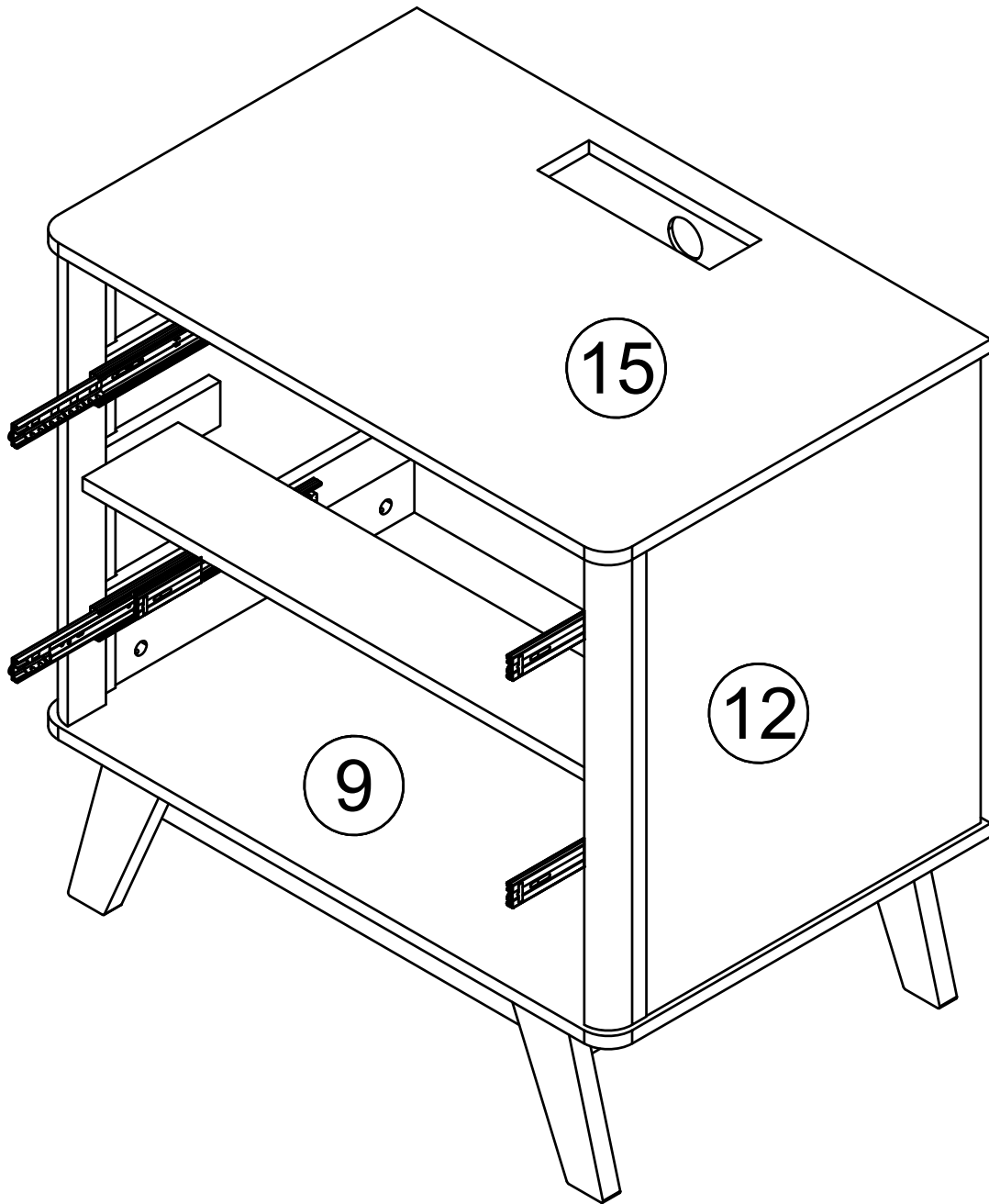
Step 22



Step 23

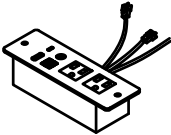
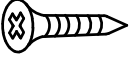


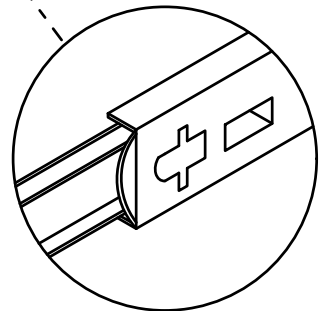
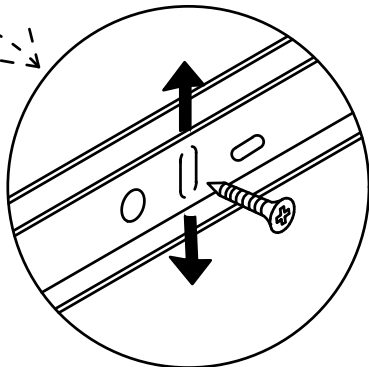
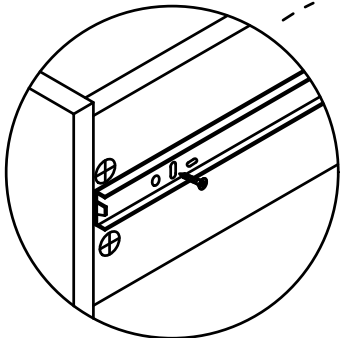
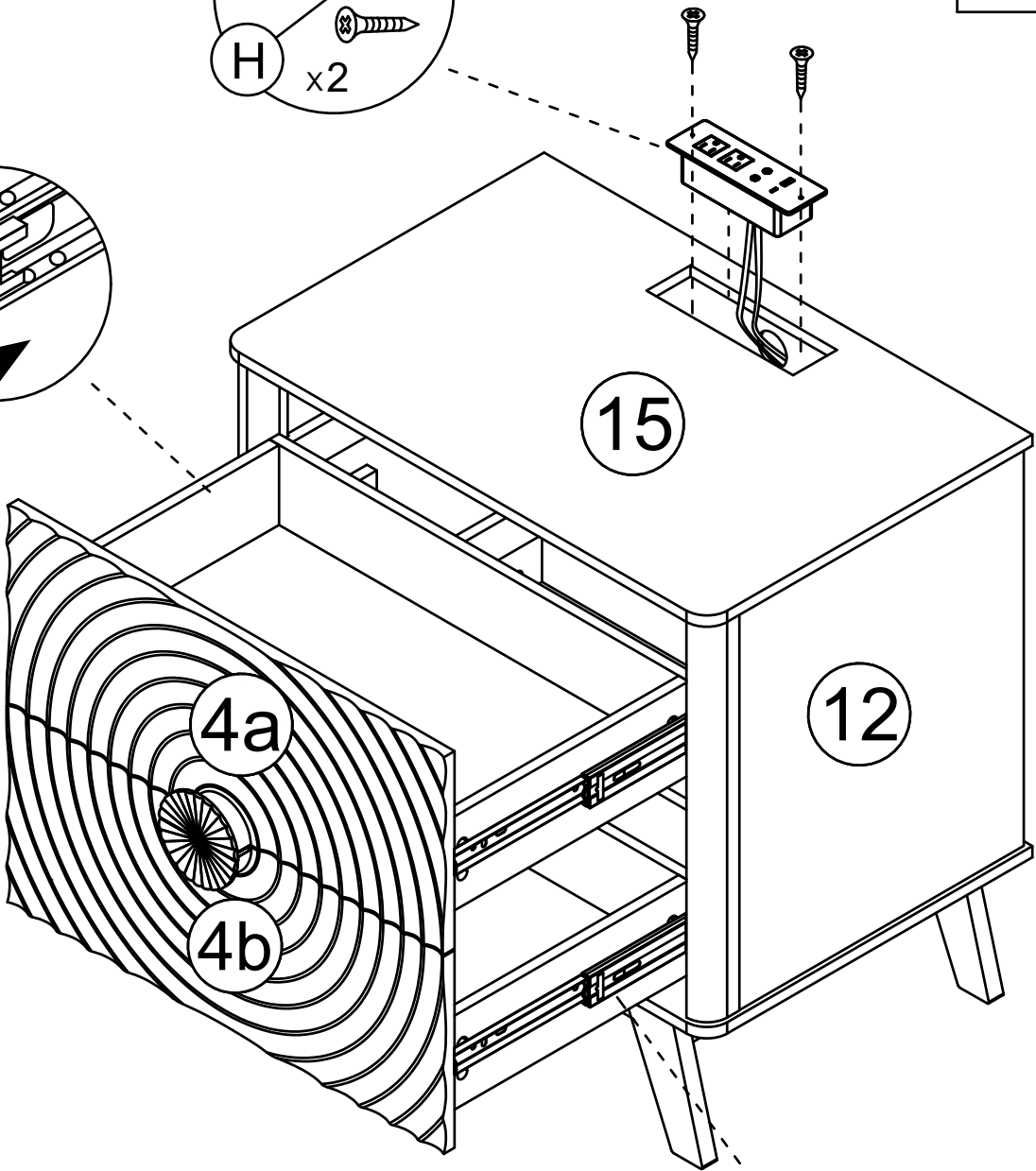
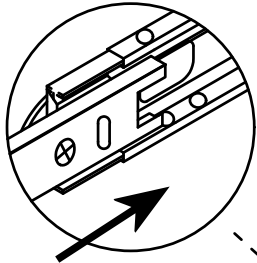
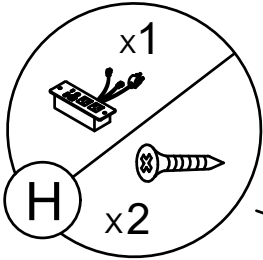
Step 24



As shown, When installing the drawer, pull the guide rail out first, Slide beads are also pulled out.



Step 25

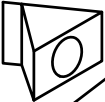

- (H)  x 1
-  x 2

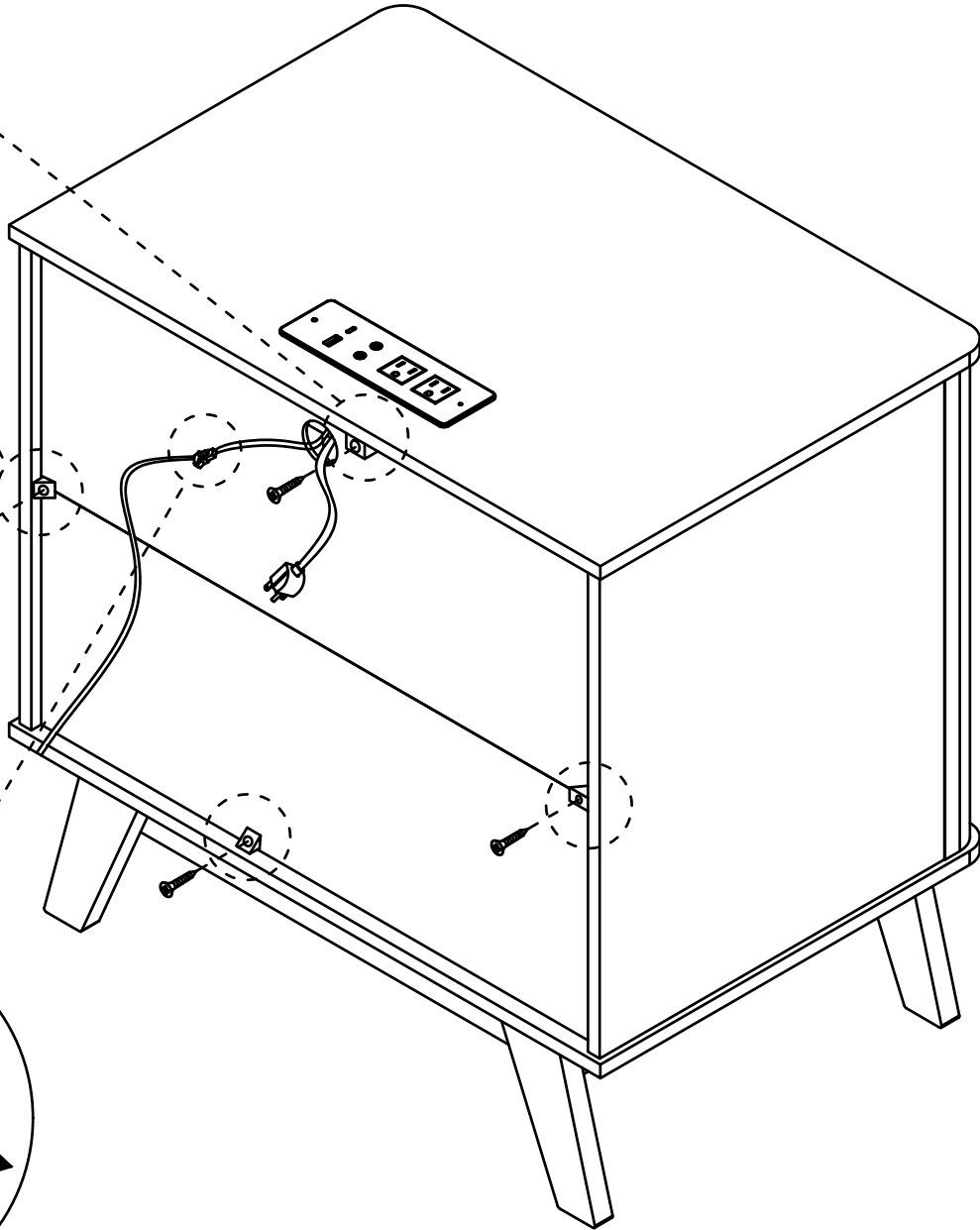


If a large gap is found after installing the drawer the slide rail can be moved up and down to adjust the gap

Step 26

①  x 4  x 4

①  x 4  x 4



This inset diagram shows two different types of cable connectors. One is a standard RJ45 Ethernet connector, and the other is a different type of multi-pin connector. Two black arrows point towards the connectors, indicating the direction of assembly or connection.

Step 27

