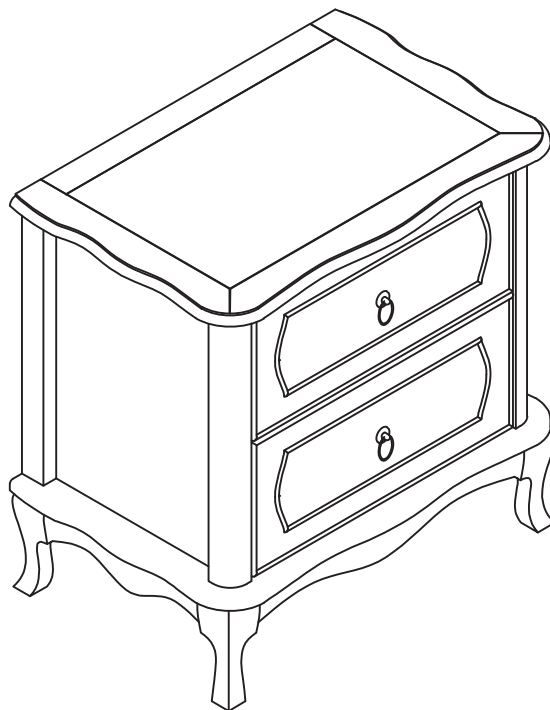


# Owner Manual



Per Seat Weight Limitation

**100 LBS**

---

Thank You For Choosing Our Furniture

▀ If you have any questions or concerns,  
don't hesitate to reach out to us. ▀

**NOTE:**






This brochure contains  
**IMPORTANT** safety info.  
Please read and keep it  
for future reference.

# MAINTENANCE AND WARNINGS



## Before You Start

### ***Please follow the steps below:***

-  Check the packaging for any damage, deformation, or water stains. If there is significant damage, please contact us promptly.
-  Open the packaging and confirm that the panels, hardware, screws, etc are complete.
-  Please read the installation instructions carefully to understand the installation steps and precautions to ensure proper installation.
-  Clean the installation area in advance and ensure the ground is level and there is enough space to avoid damaging the furniture or making installation difficult.
-  Lay a protective mat on the ground to prevent scratching the floor during installation.

### ***After-Sales Service***

- If you encounter any issues or need technical support during use, please contact our after-sales team. We offer long-term maintenance and warranty services.



## Precautions

- ⚠ This product for indoor use only. Do not expose it to outdoor elements or high-humidity environments.
- ⚠ Keep the product away from high heat or open flames to prevent fire hazards.
- ⚠ Do not allow children to climb on the product to prevent personal injury caused by tipping



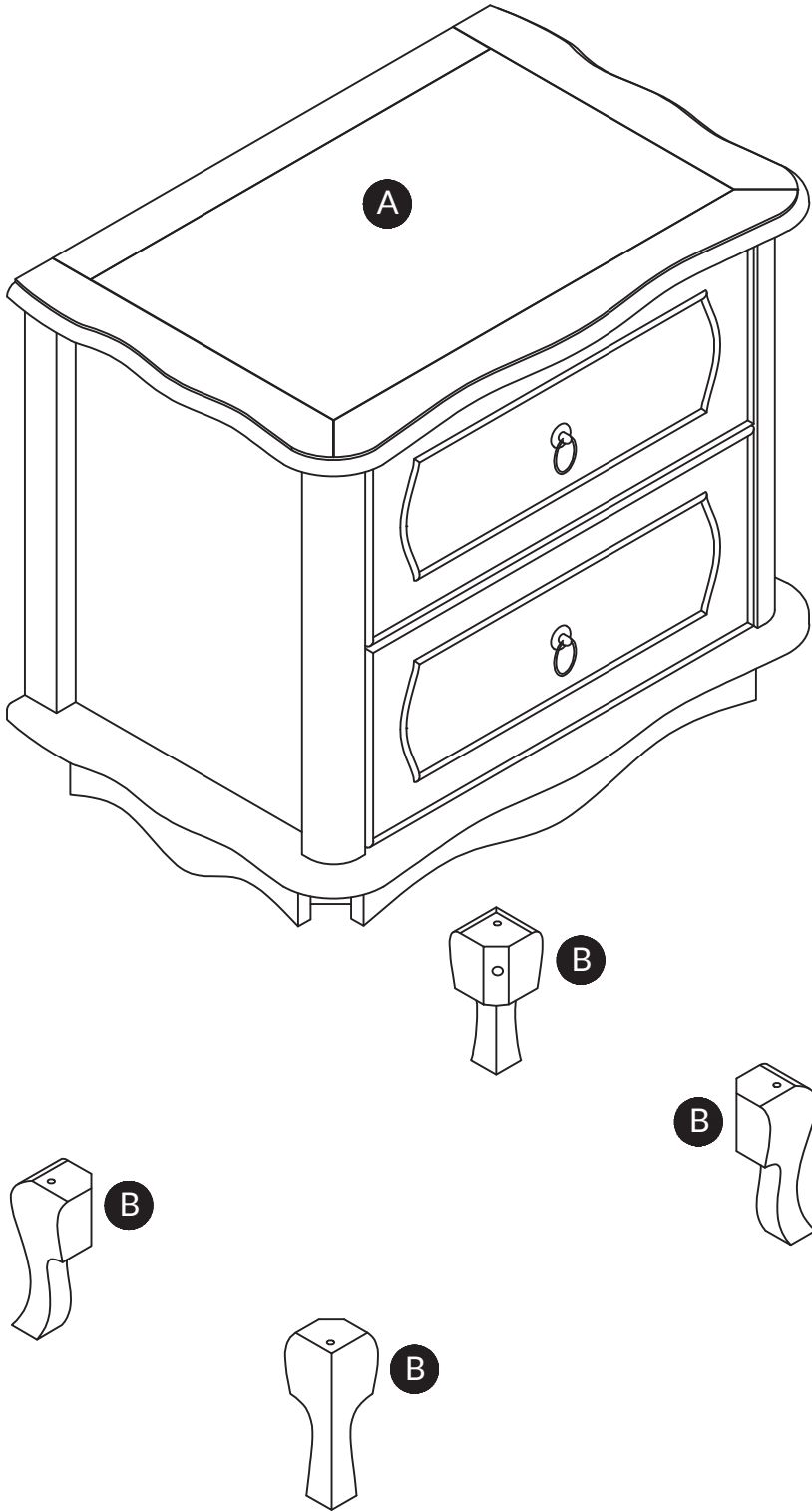
## Safety Warnings

- ⚠ If you notice any loose or damaged parts, stop using the product immediately and contact customer service.
- ⚠ Do not attempt to disassemble or replace any components yourself, as this may affect the stability and safety of the product.

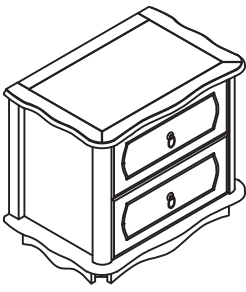

### ***Daily Maintenance***

- Do not use cleaning agents containing acids, alkalis, or corrosive substances, as they may damage the surface. It is recommended to use neutral cleaning agents or specialized furniture cleaners
- Avoid exposing furniture to humid environments for extended periods to prevent swelling or deformation of the boards. Use a dehumidifier or desiccant during humid weather.
- Avoid direct contact of furniture with water. If water is accidentally spilled, wipe it dry immediately.
- Avoid placing excessively heavy objects on the furniture: ensure the weight is within a reasonable load-bearing range.
- Avoid using sharp or rough items on the furniture surface to prevent scratches, Handle items gently when moving them

**Explosive view**



# Parts list

<p><b>A</b></p>  <p>x1</p>	<p><b>B</b></p>  <p>x4</p>

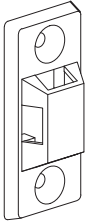
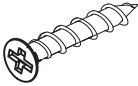
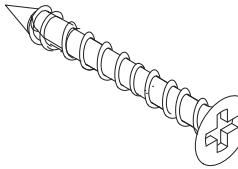
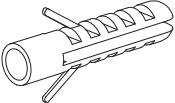
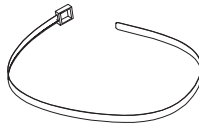
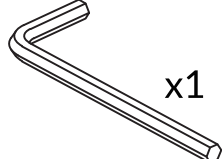
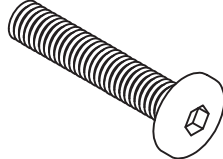

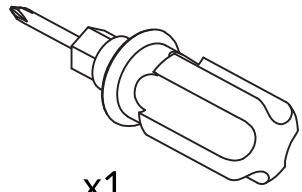


Installation:  
10minutes.



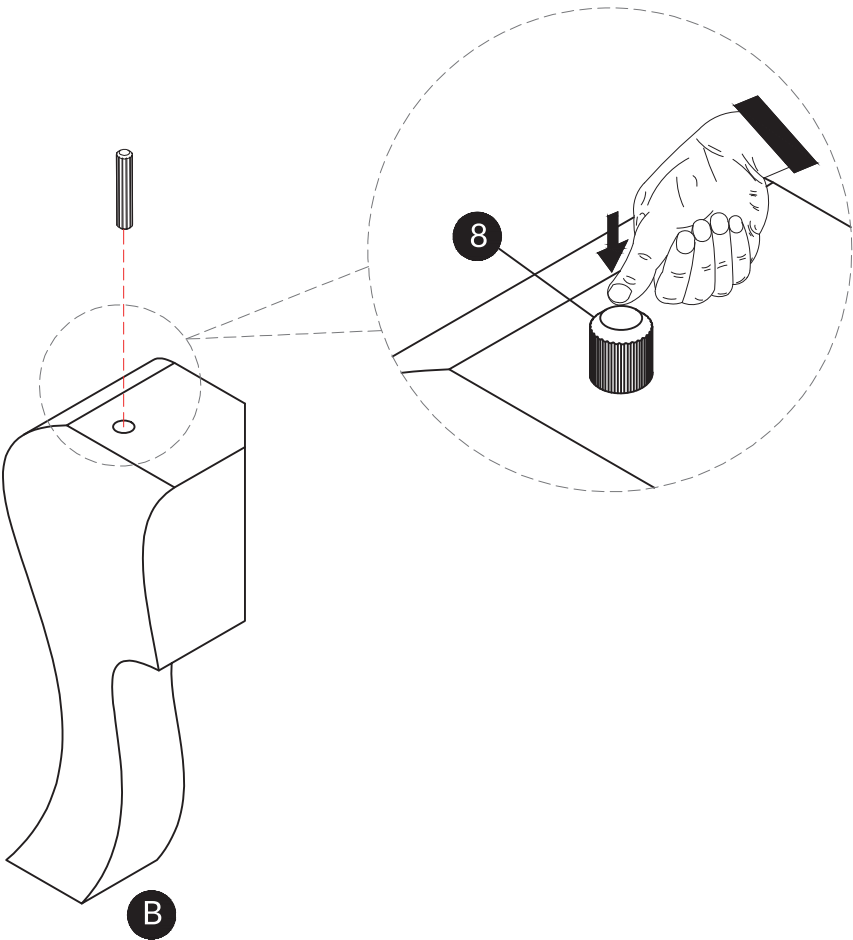
One Person


## Hardware List

<p>1</p>  <p>x4</p>	<p>2</p>  <p>x4+1</p> <p>D3x20mm</p>	<p>3</p>  <p>x4+1</p> <p>D4x39mm</p>
<p>4</p>  <p>x4</p>	<p>5</p>  <p>x2</p>	<p>6</p>  <p>x1</p> <p>M4</p>
<p>7</p>  <p>x4+1</p> <p>Ø6x40mm</p>	<p>8</p>  <p>x4+1</p> <p>Ø8x30mm</p>	<p>9</p>  <p>x1</p>

# Step 1

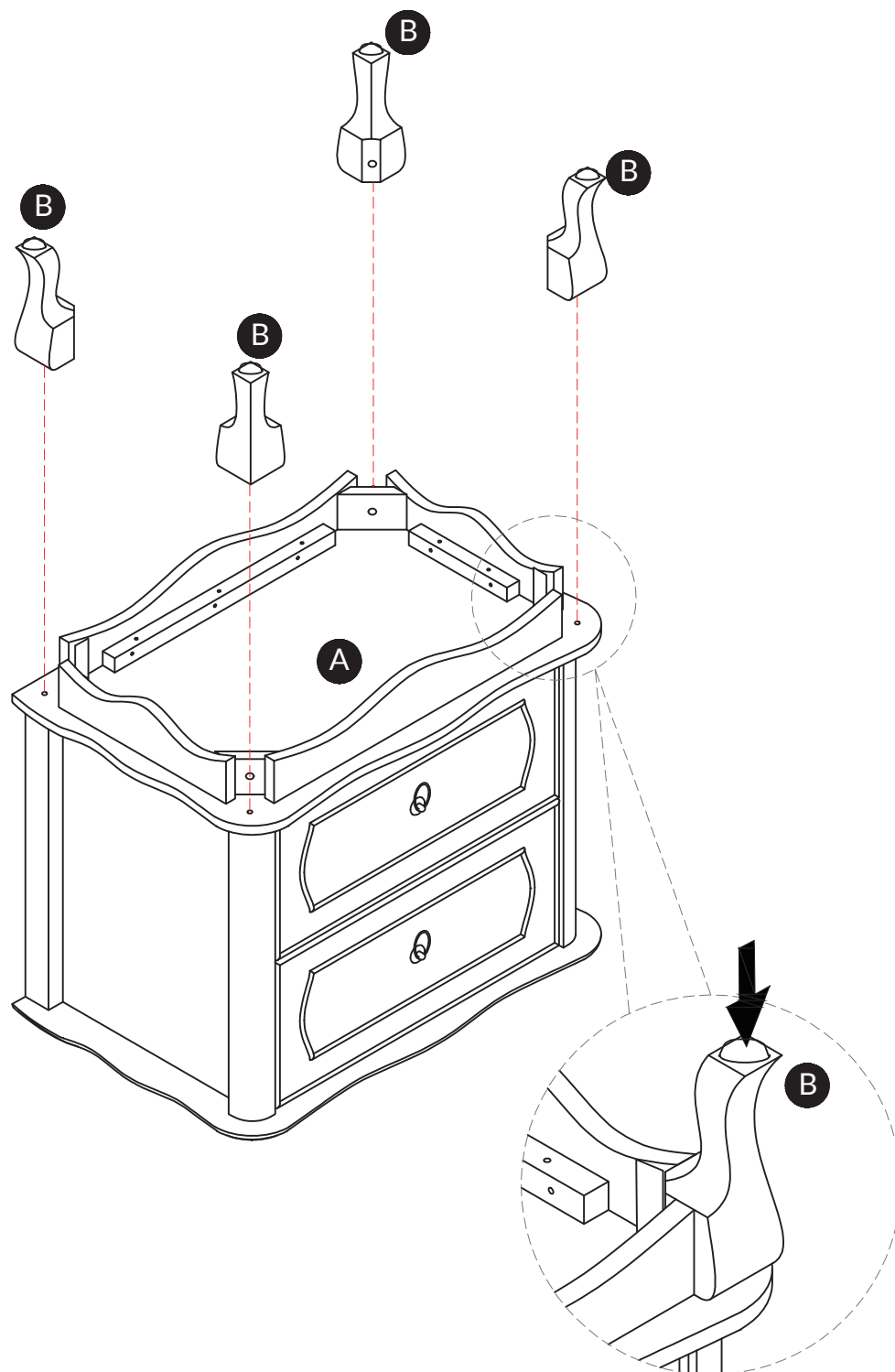
Put the tip 8 into the hole corresponding to foot B



8	x4
	
Ø8x30mm	

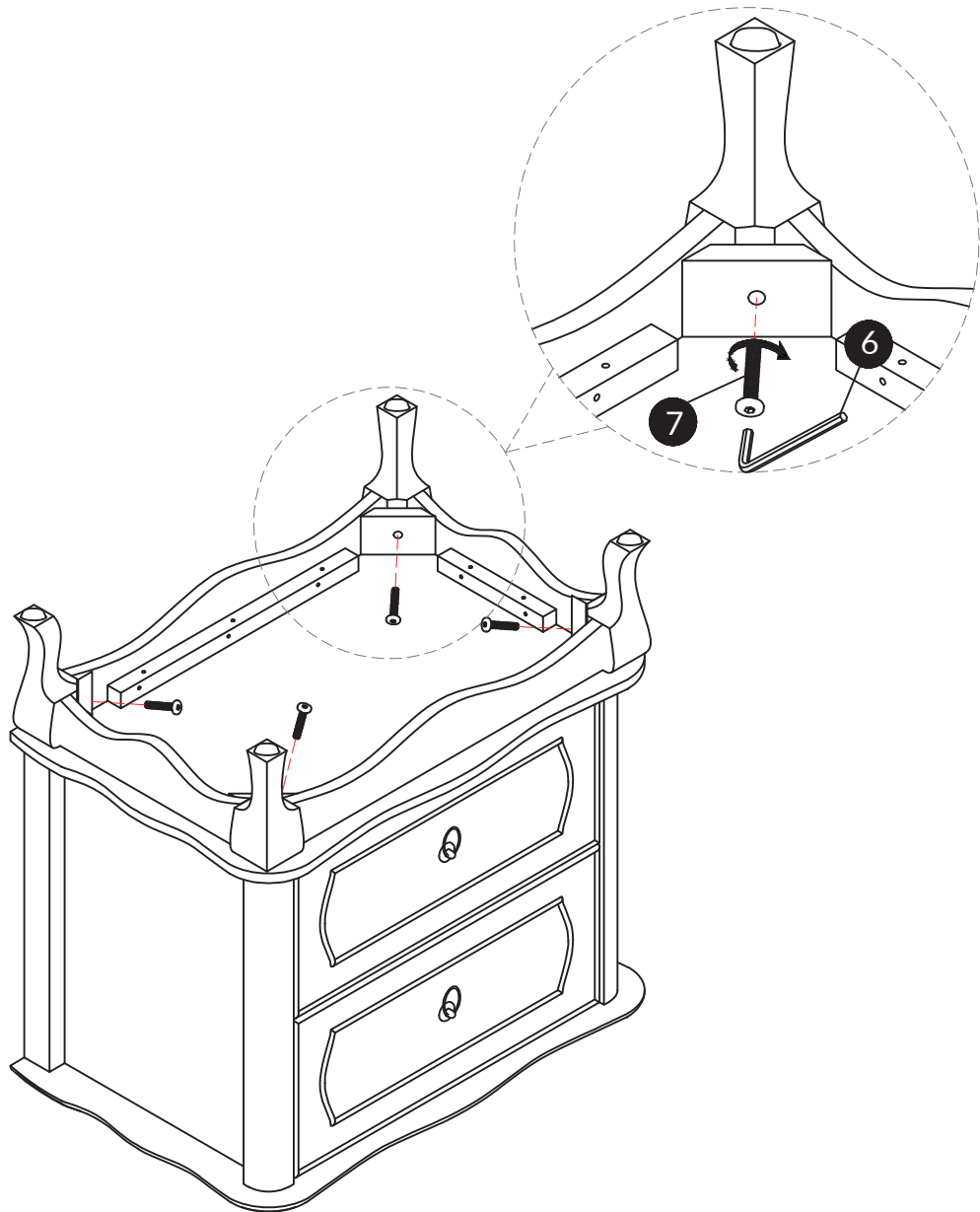
## Step 2


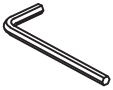
Put foot B into the hole corresponding to A



### Step 3

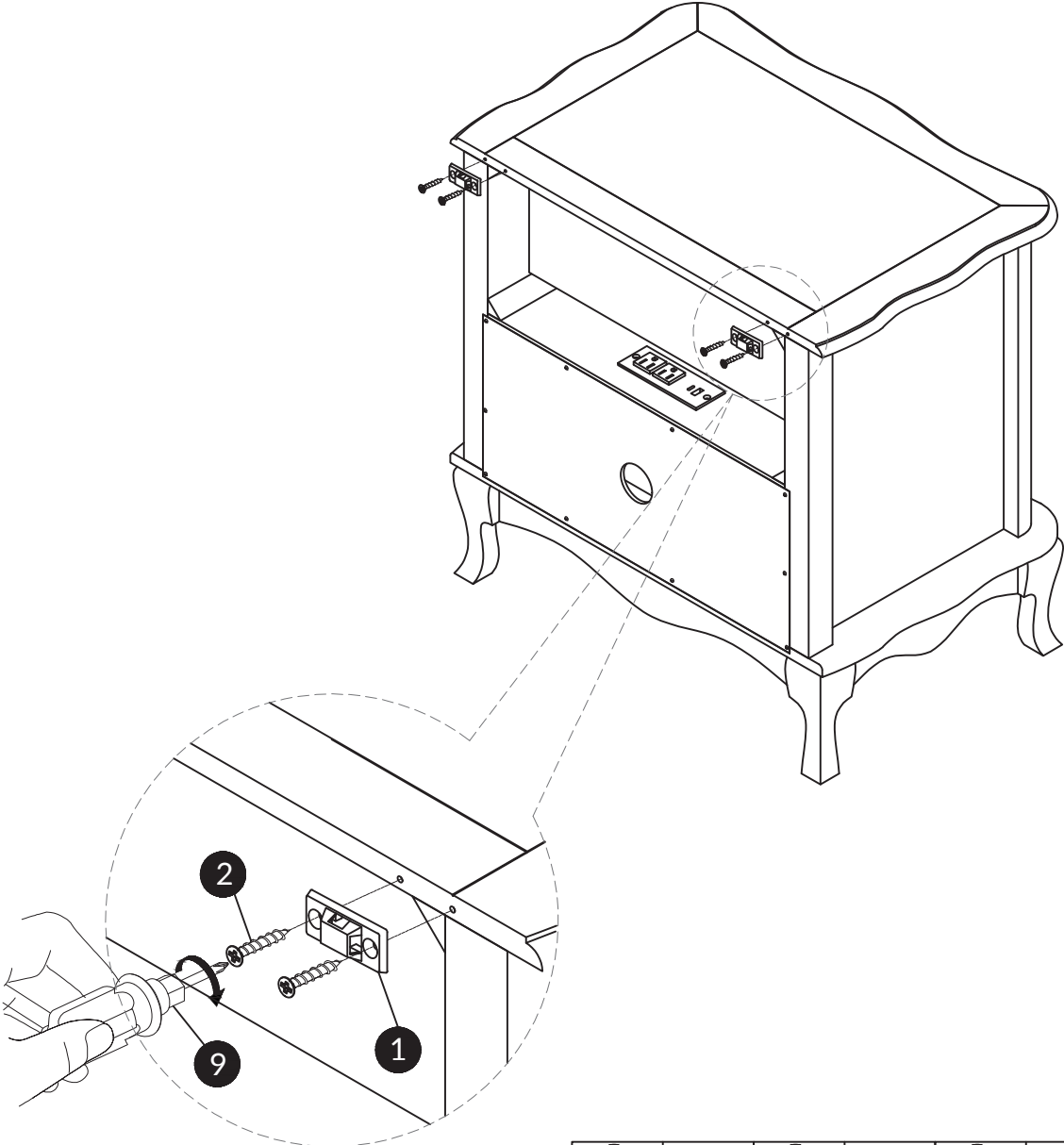
Screw 7 through the base hole of A into the corresponding hole position of B, and lock it with a wrench 6



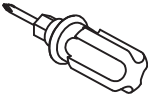


7	x4	6	x1
			
Ø6x30mm		M4	


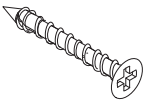
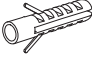
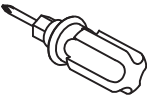
# Step 4

Use screw 2 to attach part 1 to back A , tight screw with screwdriver 9

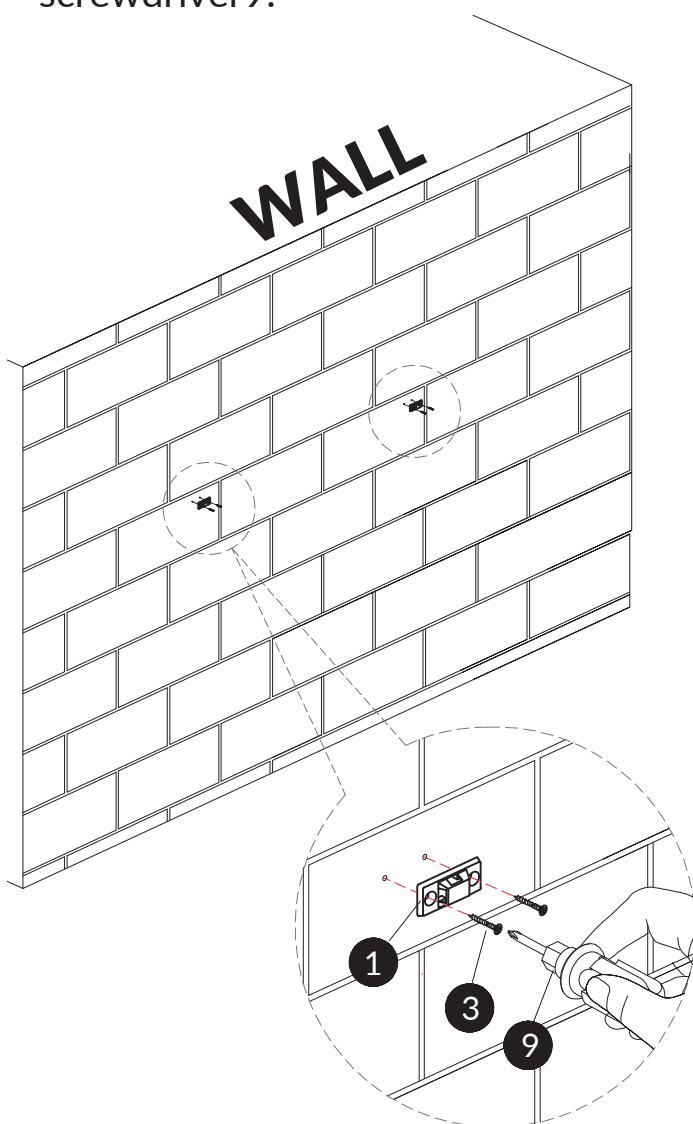


1	x2	2	x4	9	x1
					
		D3 x20mm			

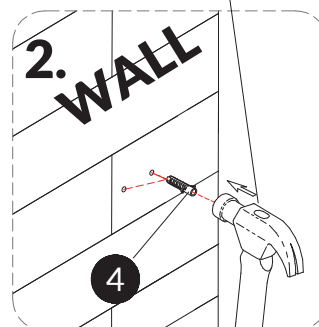
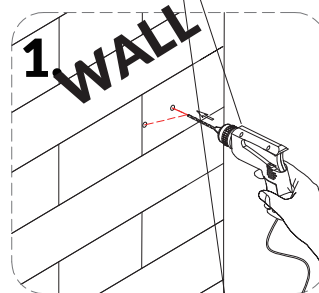
## Step 5

1	x2	3	x4	4	x4	9	x1
							
		D4x39mm					

1. Install anti-collapse device.
2. Mark the corresponding position on the wall and on cabinet A; Drill holes with a hammer and insert the retractable screw 4.
3. Assemble part 1 to the wall. Align the holes on part 1 with the expandable screw 4, connect it using screw 3 and tighten it with a screwdriver 9.

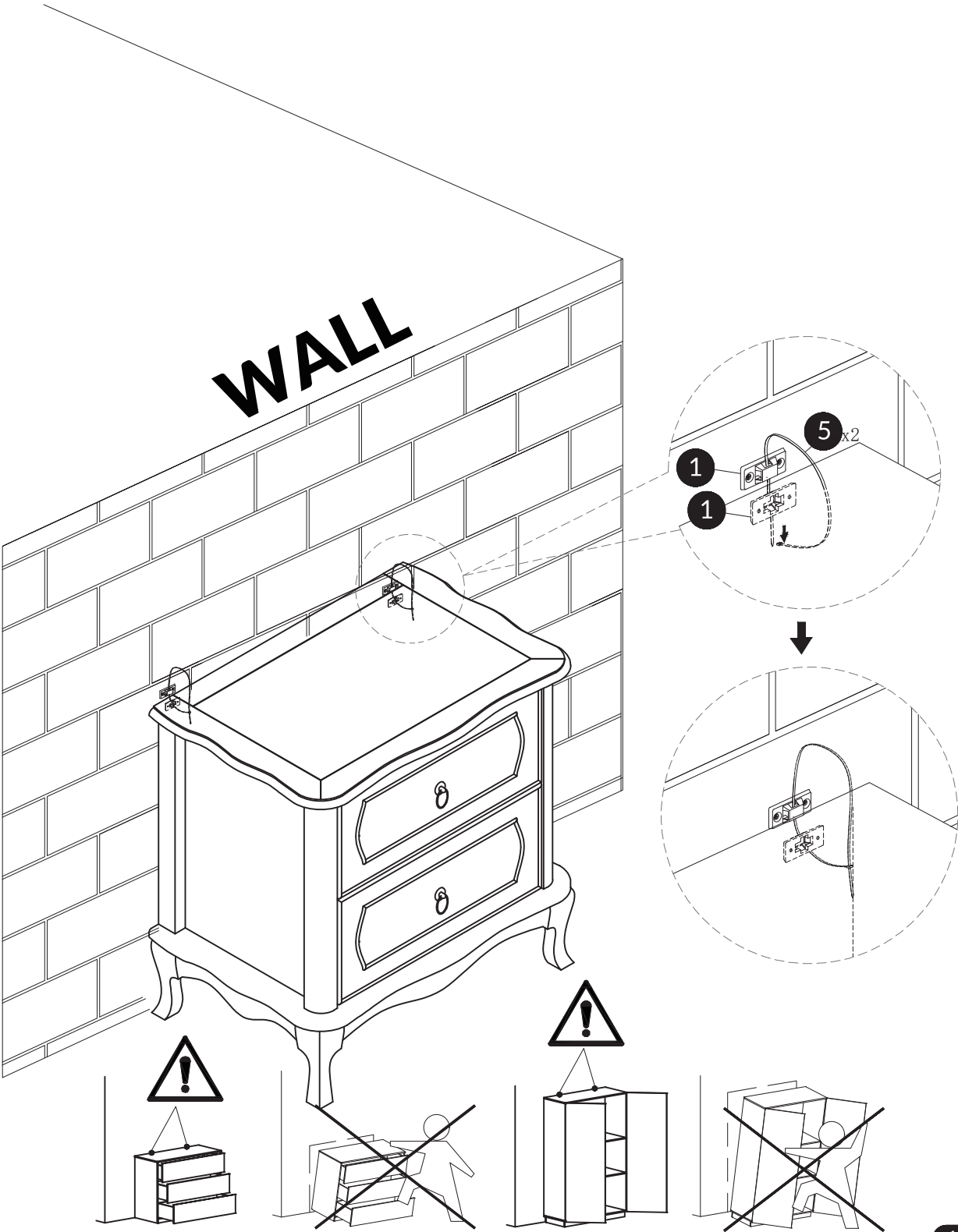


NOT PROVIDED



**Step 6**

Let the plastic belt 5 pass through the both part1 and pull tightly.



# WARRANTY

- We strive to offer quality products, and we also try our best to satisfy every customer who orders from us with products or services as needed.
- Replacement parts by purchasing them from our company if they are available.
- For return, please check the return policy with the retailer or market place you bought from

Appreciate your purchasing from us.  
Pop up your life by our furniture piece!