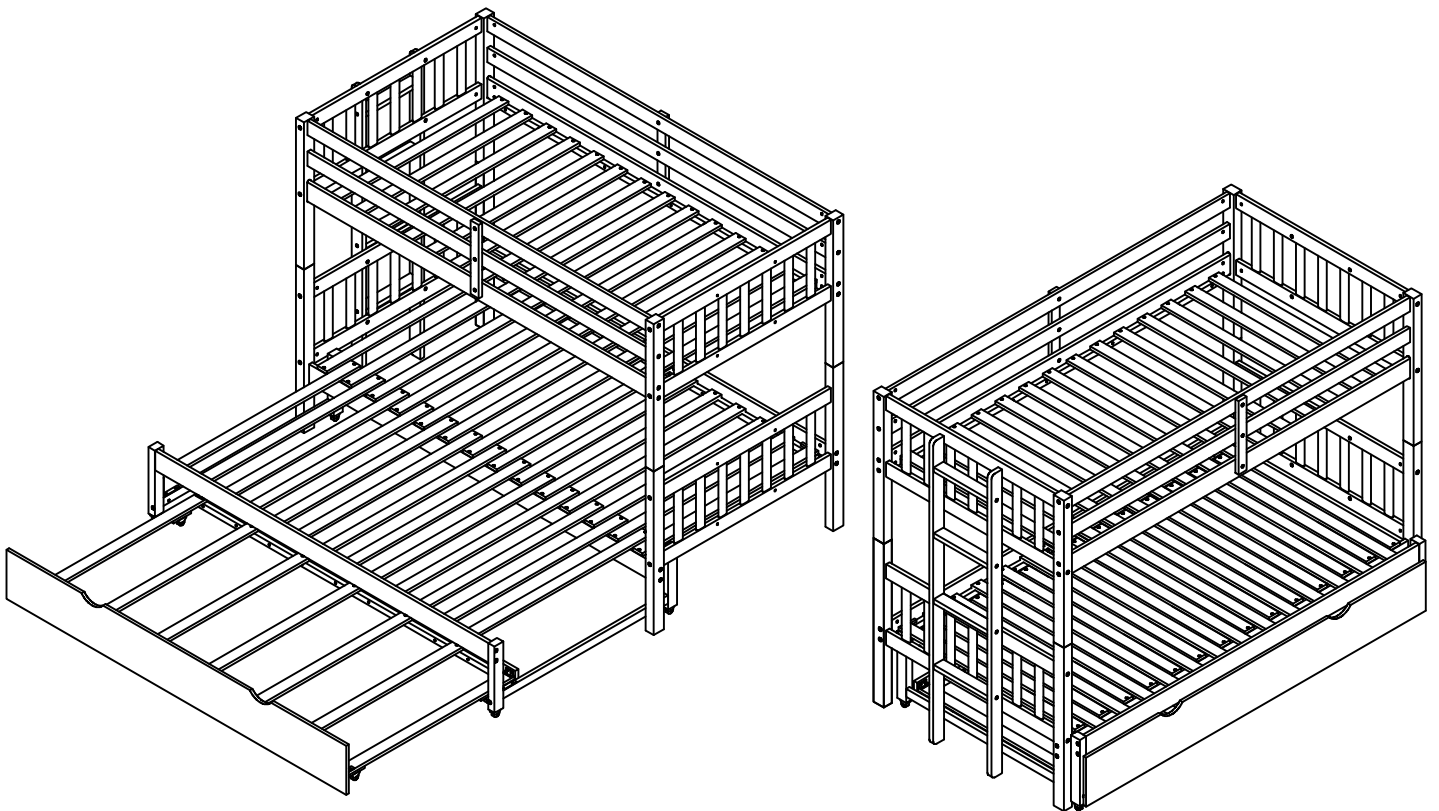


ASSEMBLY INSTRUCTIONS

TWIN/TWIN BUNK BED WITH TRUNDLE



This set is included 2 boxes if don't receive full 2 boxes please contact our customer service team.

WF286066/WF286067

SAFETY WARNINGS AND GENERAL NOTES :

Follow the information on the warnings on the bunk bed end structure and on the carton. Do not remove the warning label from the bed. Always use the recommended size mattress on mattress support, or both, to help prevent the likelihood of entrapment or falls.

The top surface of the mattress must be at least 5*inch (127mm) below the upper edge of the guardrail.

Do not allow children under 6 years of age to use the upper bunk.

Periodically check and ensure the guardrail, ladder and other components are in their proper position, free from damage, and all connectors are tight.

Do not allow horseplay on or under beds.

Always prohibit jumping on the bed.

Prohibit more than one person on upper bunk.

Always use the ladder for entering and leaving the upper bunk.

Do not use substitute parts. Contact the manufacturer or dealer for replacement parts.

Use of a night-tight may provide added safety precaution for a child using the upper bunk.

Always use guardrails on both long sides of the upper bunk.

If the bunk bed will be placed next to a wall, the guardrail that runs the full length of the bed should be placed against the wall to prevent entrapment between the bed and the wall.

The use of water or sleep flotation mattresses is prohibited.

STRANGULATION HAZARD-Never attach or hang items to any part of the bunk bed that are not designed for use with the bed.

Keep these instructions for future reference.

We recommend assembling your bunk bed on the shipping carton to protect your floor or carpet.

Be certain all staples are out of the box before beginning assembly on the shipping carton.

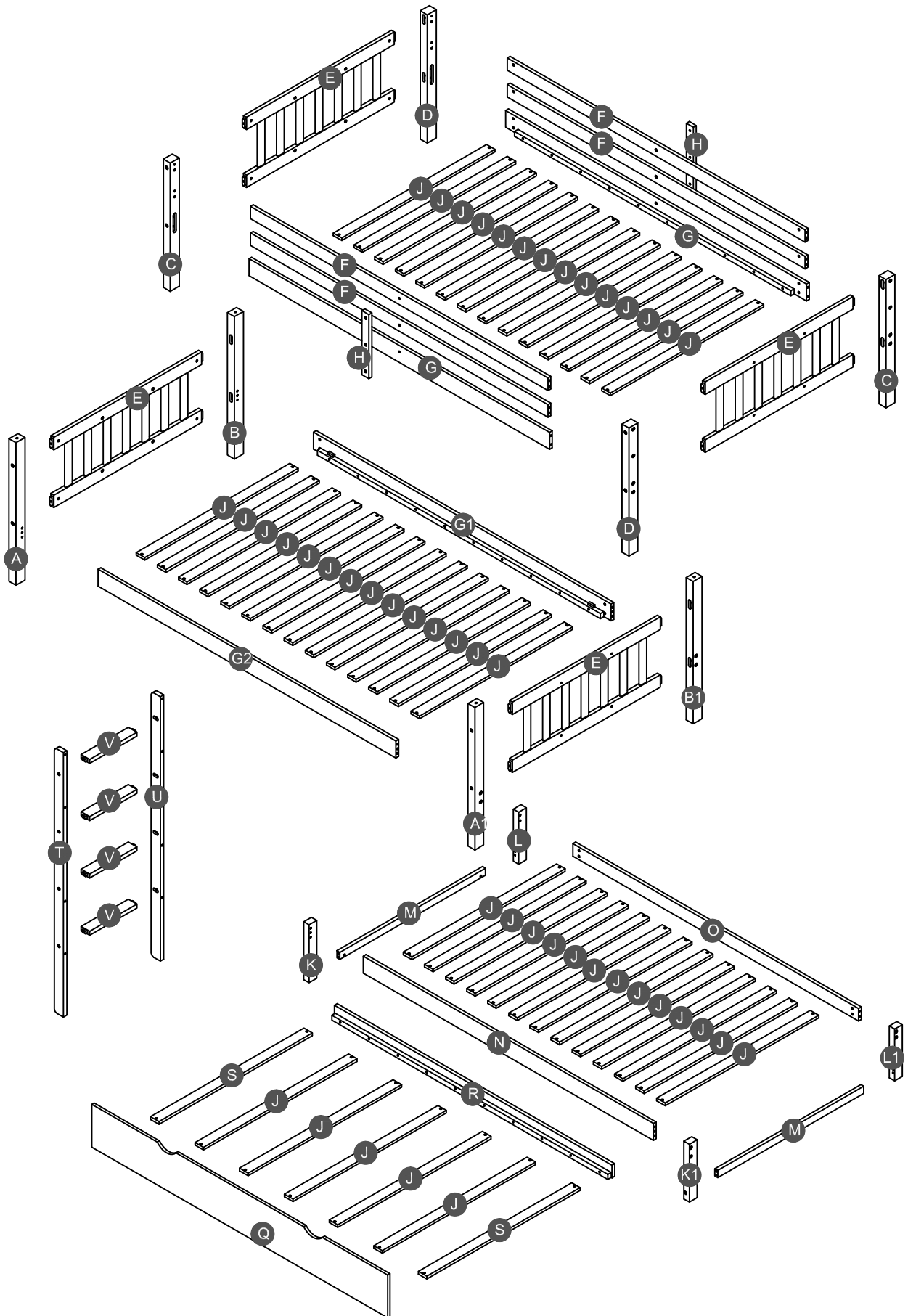
USE ONLY MATTRESSES WHICH ARE 74"-75" LONG AND 37 1/2" - 38 1/2" WIDE ON UPPER AND ON LOWER BUNKS. ENSURE THICKNESS OF MATTRESS DOES NOT EXCEED 6".

SURFACE OF MATTRESS MUST BE AT LEAST 5" (127MM) BELOW THE UPPER EDGE OF GUARDRAILS.

Replacement Parts:

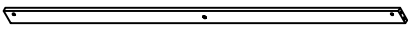
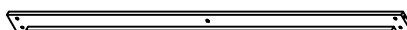
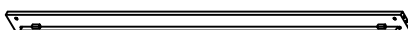
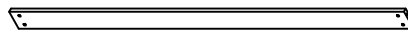

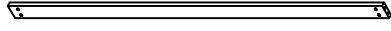
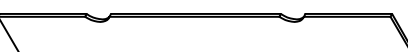


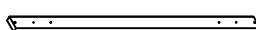

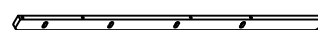
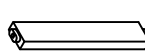

Replacement Parts, including additional guardrails, may be obtained from any of our (GIGACLOUD TECHNOLOGY (USA) INC.) dealers

Detail View

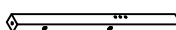
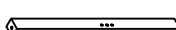


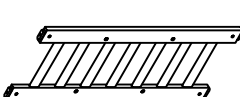
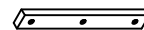


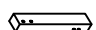






Part List

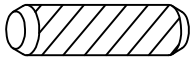
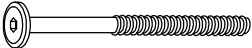
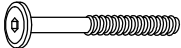
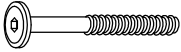




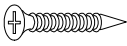
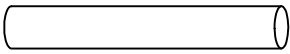
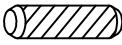
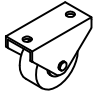
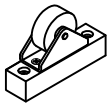
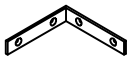

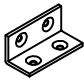

WF286066

F  Front/Back guard rail-4pcs	G  Side rail upper (front/back)-2pcs	G1  Side rail lower (back)-1pc
G2  Side rail lower (front)-1pc	N  Front side rail panel -1pc	O  Back side rail panel -1pc
Q  Trundle front panel -1pc	R  Trundle back panel -1pc	J  Slats -18pcs
S  Trundle Slats - 2pcs	T  Ladder (Right) - 1pc	U  Ladder (Left) - 1pc
V  Step ladder - 4pcs	M  Horizontal (L/R) - 2pcs	

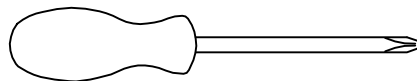
Hardware List + WF286067

A  Lower leg HB (Left)-1pc	B  Lower leg HB (Right)-1pc	C  Upper leg HB/FB (Left)-2pcs
D  Upper leg HB/FB (Right)-2pcs	E  Upper/Lower HB/FB - 4pcs	H  Vertical guard rail - 2pcs
J  Slats - 28pcs	K  Front leg left - 1pc	L  Back leg left - 1pc
K1  Front leg Right - 1pc	L1  Back leg Right - 1pc	B1  Lower leg FB (Right)-1pc
A1  Lower leg FB (Left)-1pc		

Hardware List

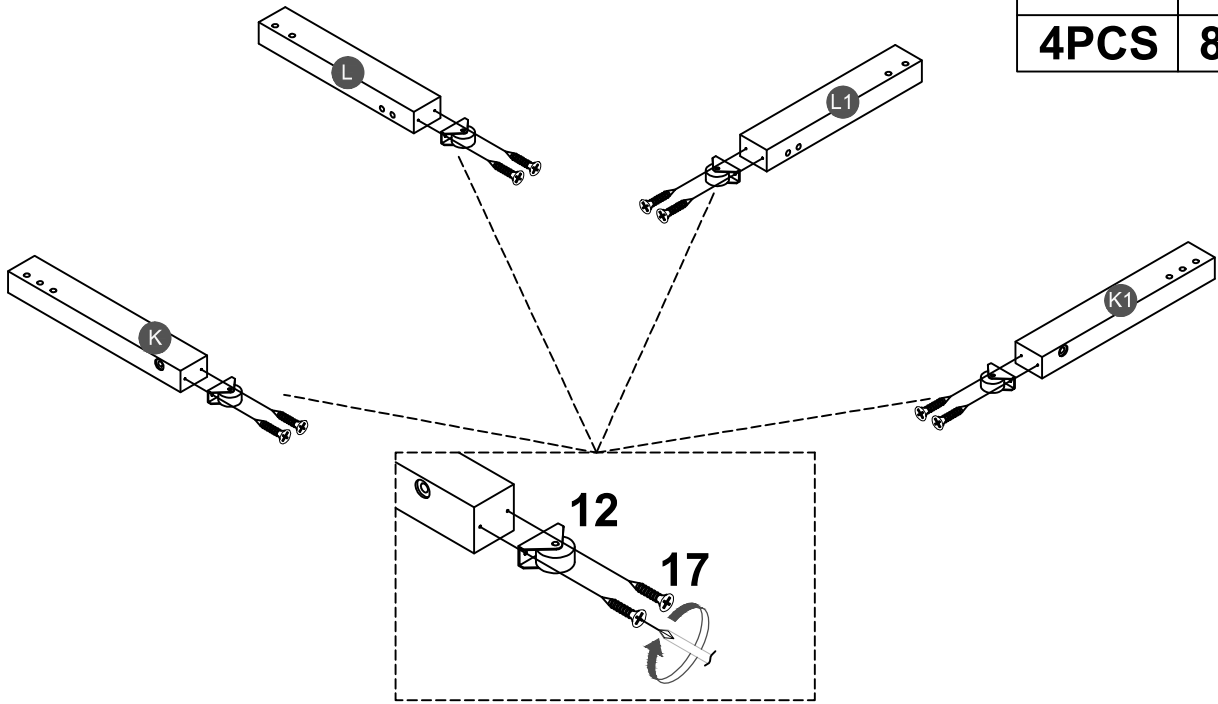
1  Ø10*40mm Wood dowel (8pcs)	2  (Ø15)1/4"*100mm Hex-Head bolts (44pcs)	3  (Ø15)1/4"*80mm Hex-Head bolts (8pcs)
4  (Ø12)1/4"*60mm Hex-Head bolts (8pcs)	5  (Ø12)1/4"*30mm Hex-Head bolts (6pcs)	6  (Ø12)1/4"*40mm Hex-Head bolts (8pcs)
7  (1/4")4.5*58mm Allen key (1pc)	8  1/4"*15 (9.5mm) Horizontal-Hole bolts(60pcs)	9  Ø4*30mm Wood screws (104pcs)
10  Ø9*90mm Metal connector (4pcs)	11  Ø8*30mm Wood dowel (10pcs)	12  45*20*35 mm Wheels (4pcs)
13  100*63*20mm Wheels (4pcs)	14  95*95*18*3mm Metal bracket (4pcs)	15  Ø3.5*15mm Wood screws (24pcs)
16  40*18*18*2mm Metal bracket (2pcs)	17  Ø3.5*19mm Wood screws (8pcs)	

ASSEMBLY TOOLS REQUIRED (NOT INCLUDED)



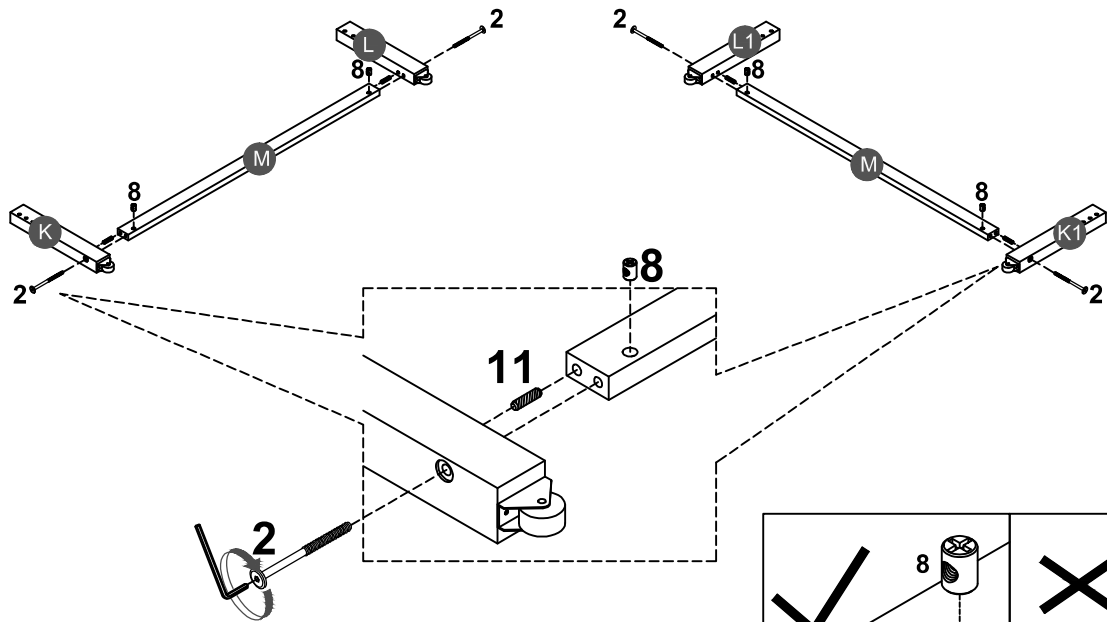
PLEASE BE CAREFUL DO NOT DAMAGE THE HOLE POSITION WHEN YOU USE POWER TOOLS !

STEP 1:



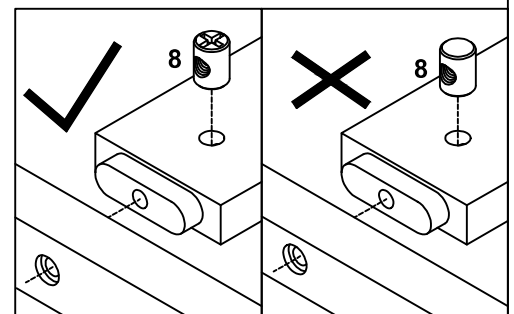
12	17
4PCS	8PCS

STEP 2:






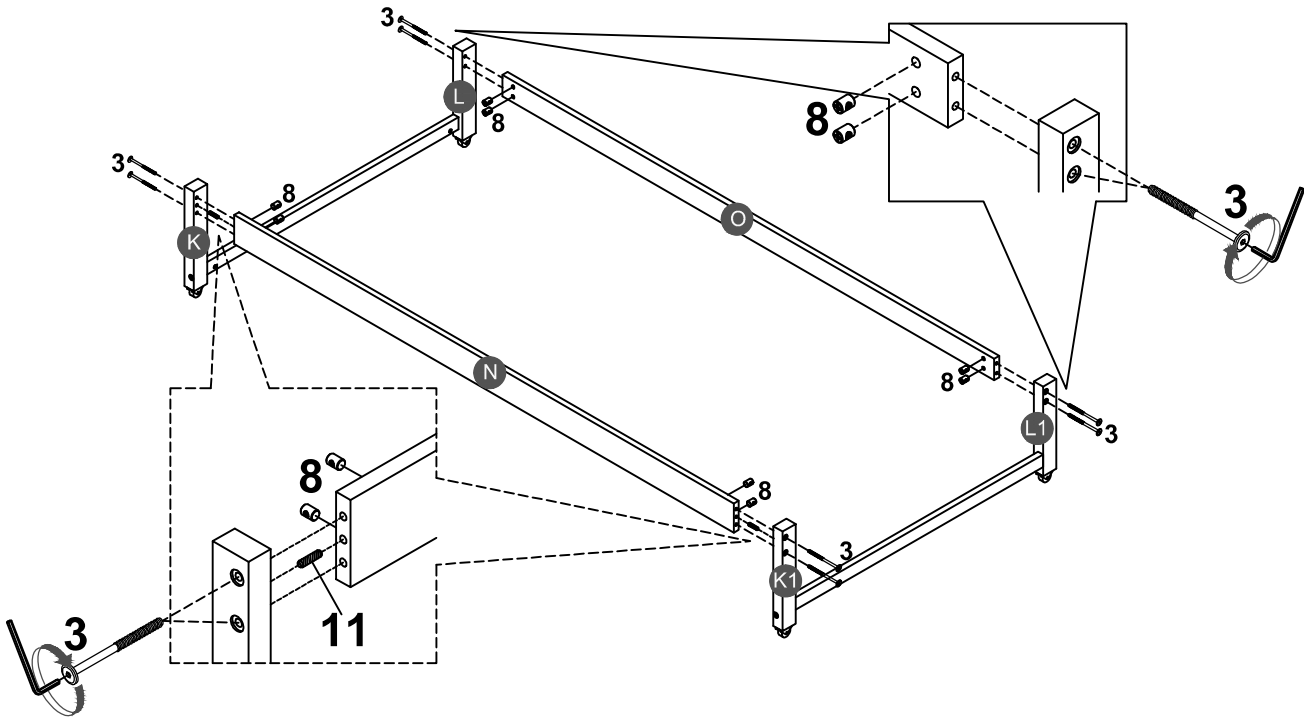
11	2	8
4PCS	4PCS	4PCS

Note: Part 8 will face up with the "x" mark on it, otherwise it cannot be tightened

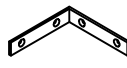



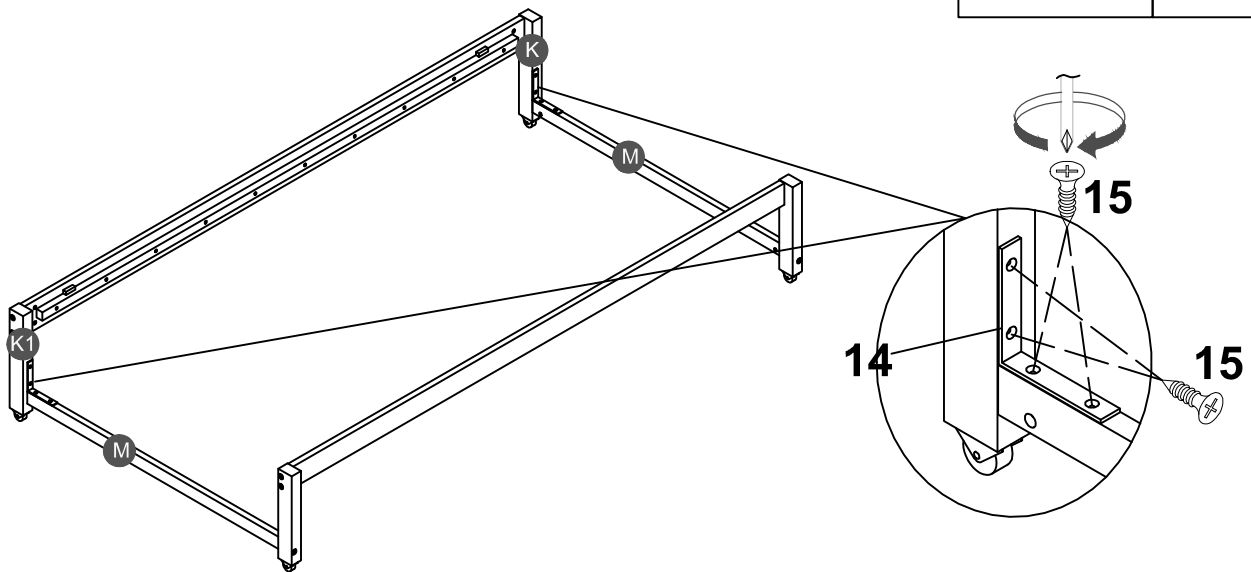
STEP 3:

11		3		8	
2PCS		8PCS		8PCS	

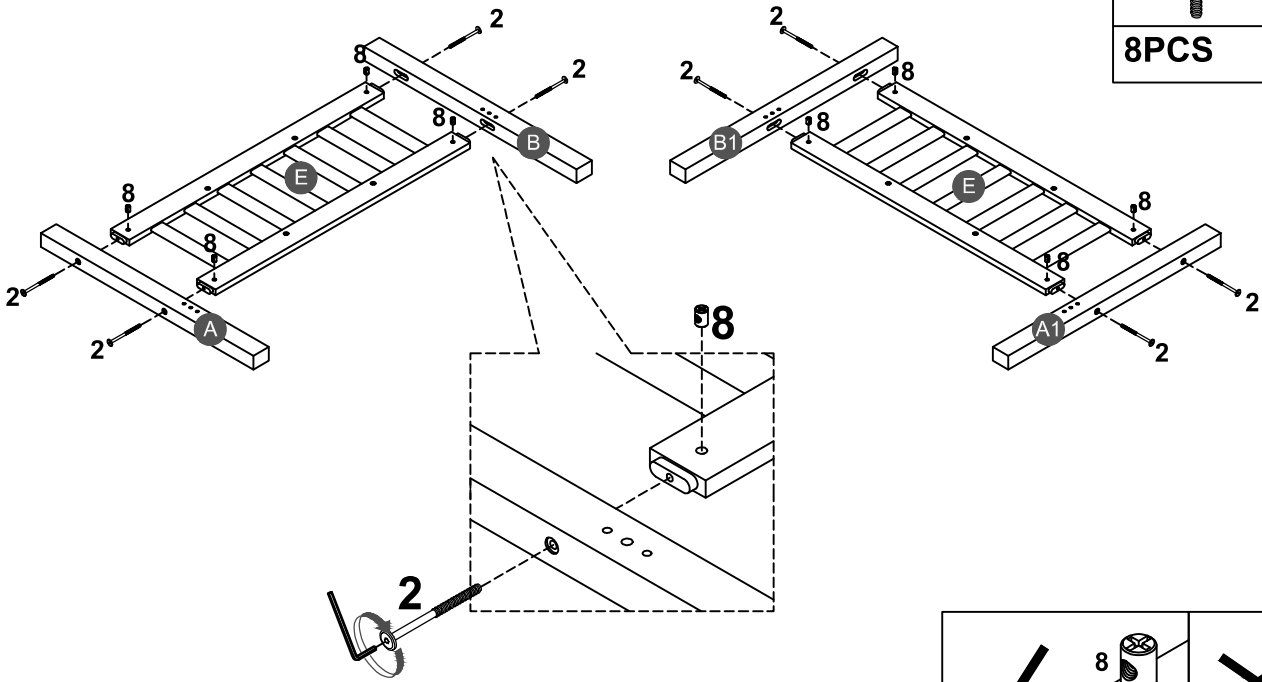




STEP 4:

14		15	
2PCS		8PCS	

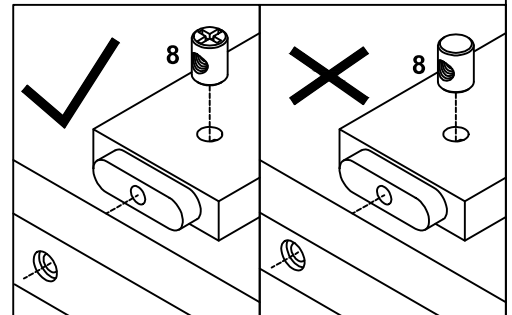


STEP 5:

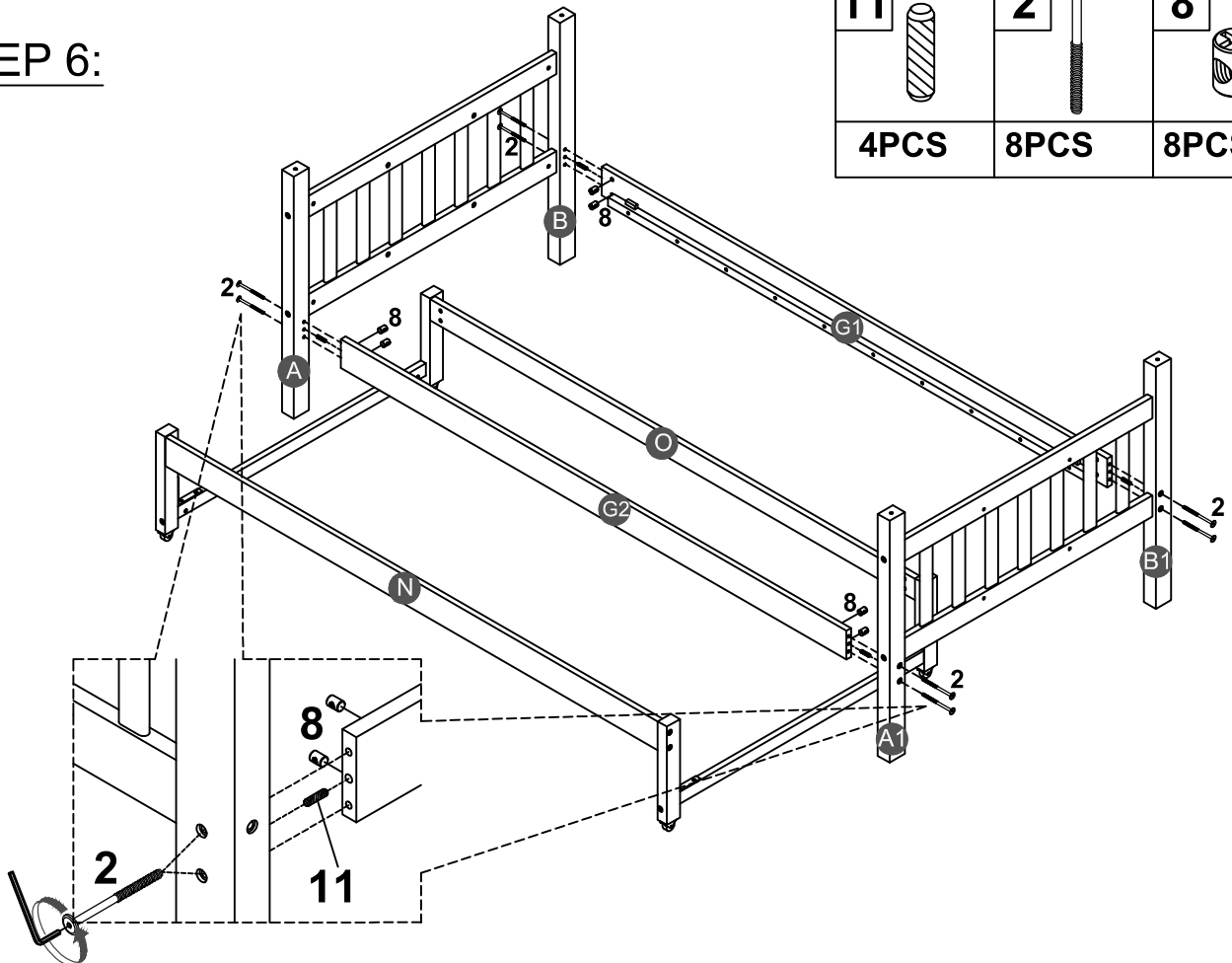





2		8	
8PCS		8PCS	

Note: Part 8 will face up with the "x" mark on it, otherwise it cannot be tightened



STEP 6:



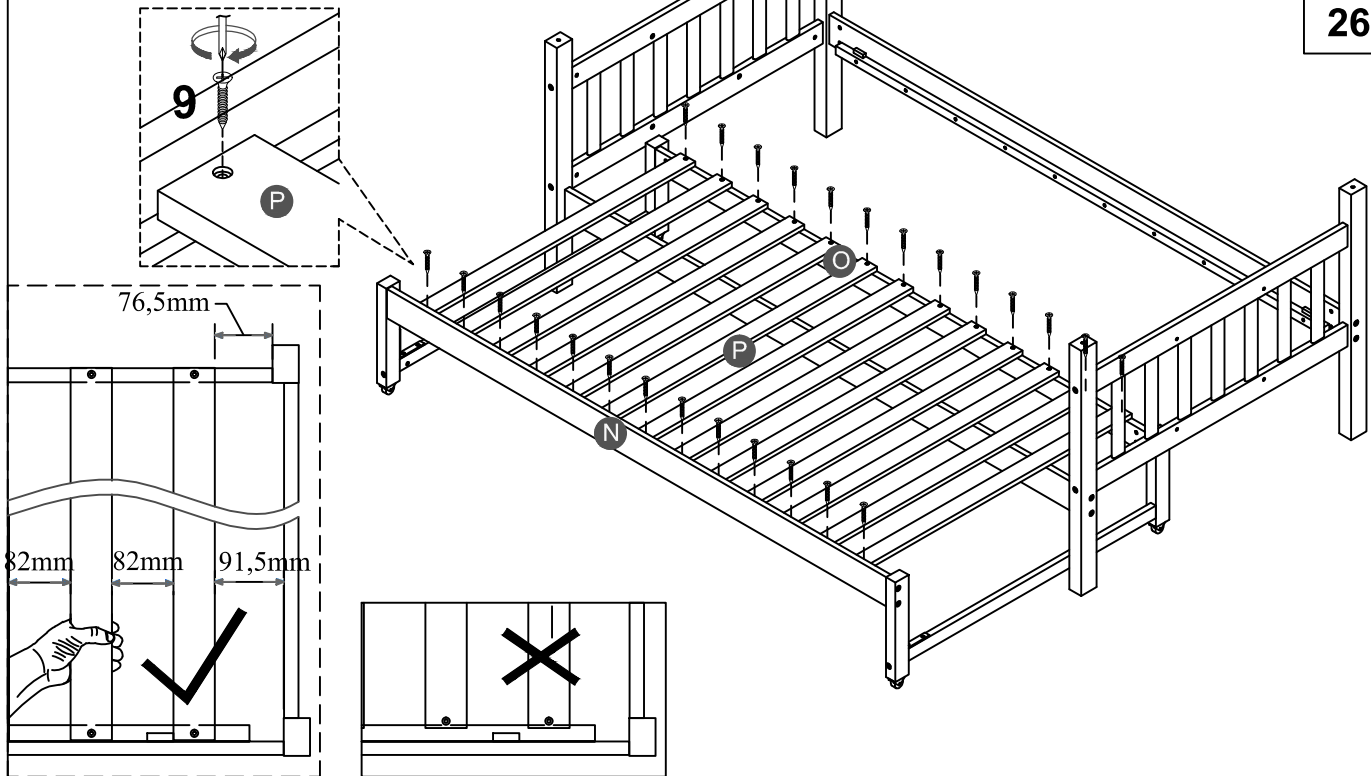
11		2		8	
4PCS		8PCS		8PCS	

STEP 7:

9



26PCS



Note: Do not lock the screws of the bed slats to the outermost edge of the bed slats, you need to leave a certain space at the edges, otherwise it will cause the board to break.
Do not lock the bed slats on the edge of the wood, please hold firmly before screwing, hold it in place with one hand, then lock the screw.

STEP 8:

2

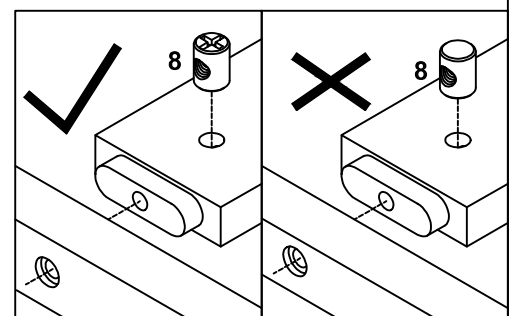
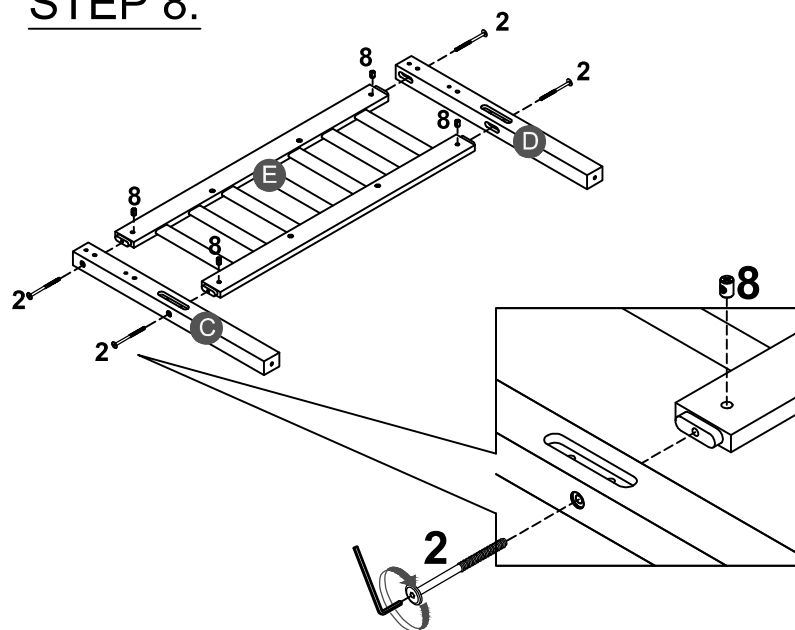


8PCS

8







8PCS

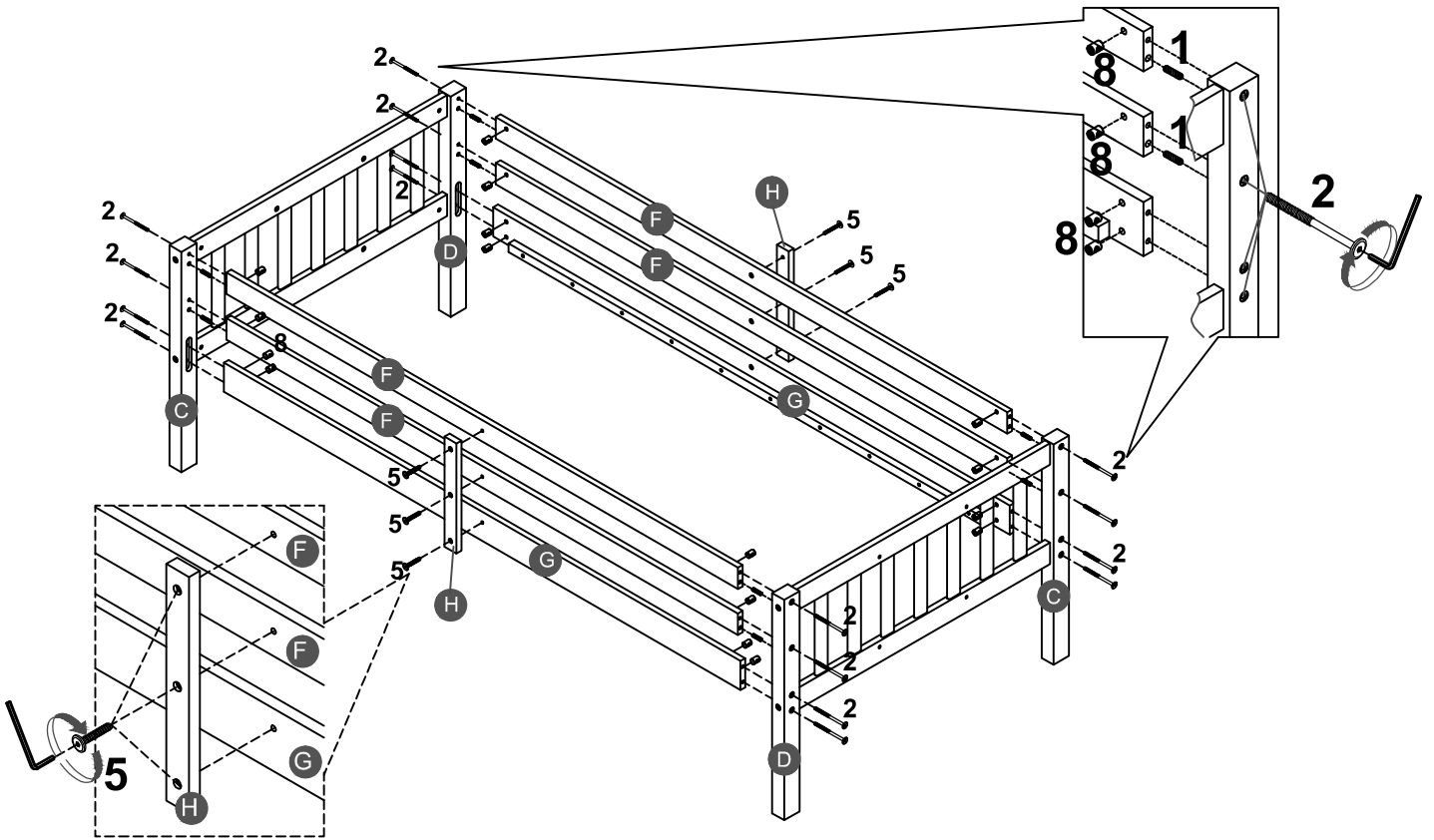


Note: Part 8 will face up with the "x" mark on it, otherwise it cannot be tightened

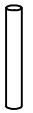
x 2

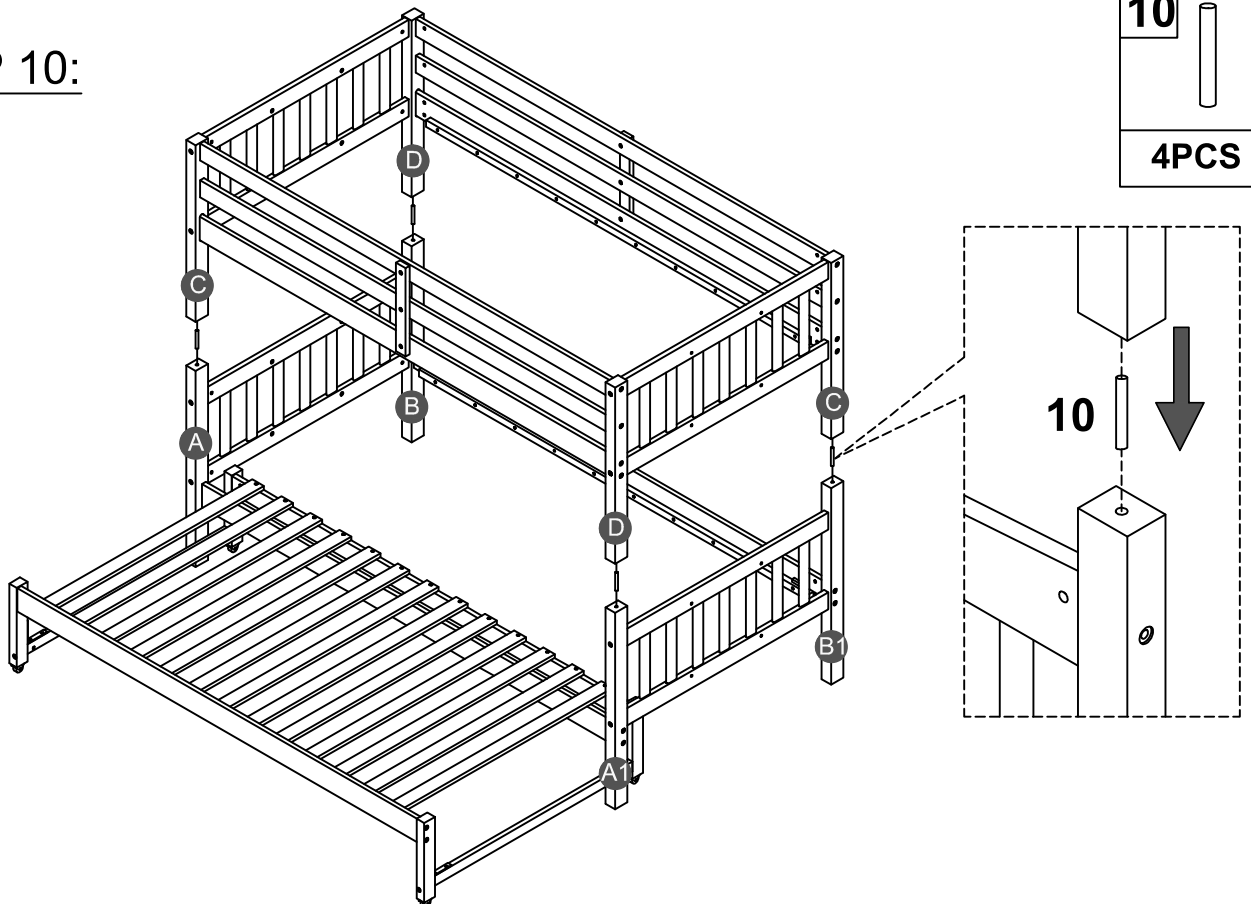
STEP 9:

1		5		2		8	
8PCS		6PCS		16PCS		16PCS	





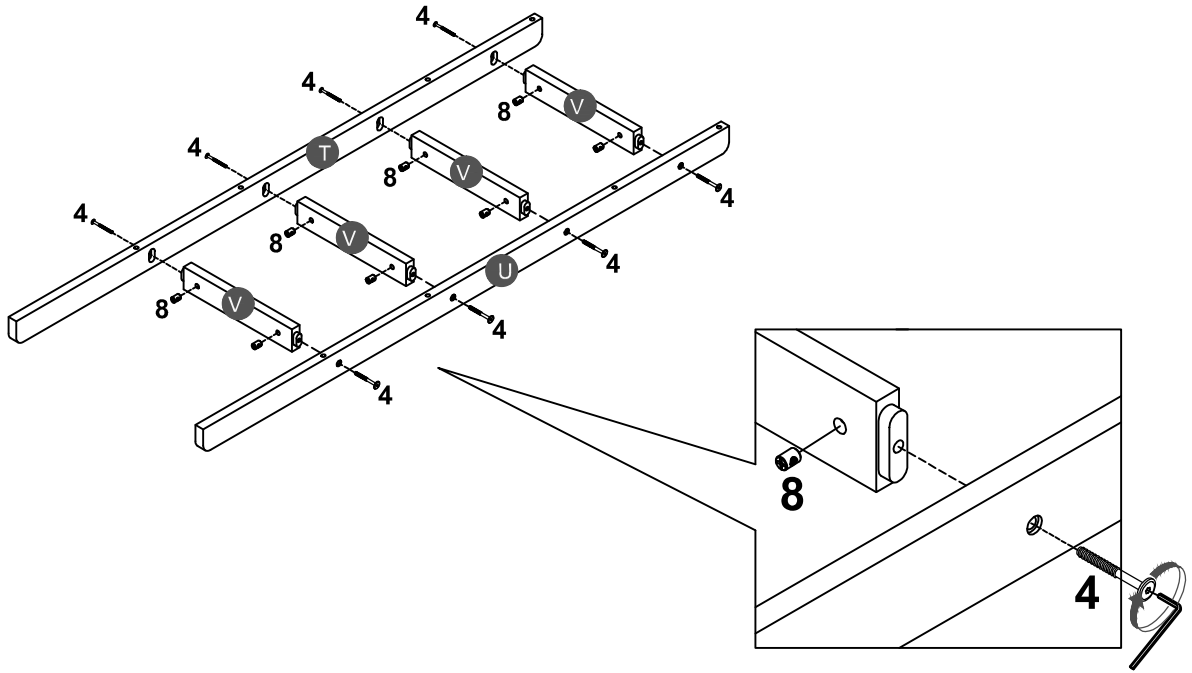
STEP 10:

10	
4PCS	




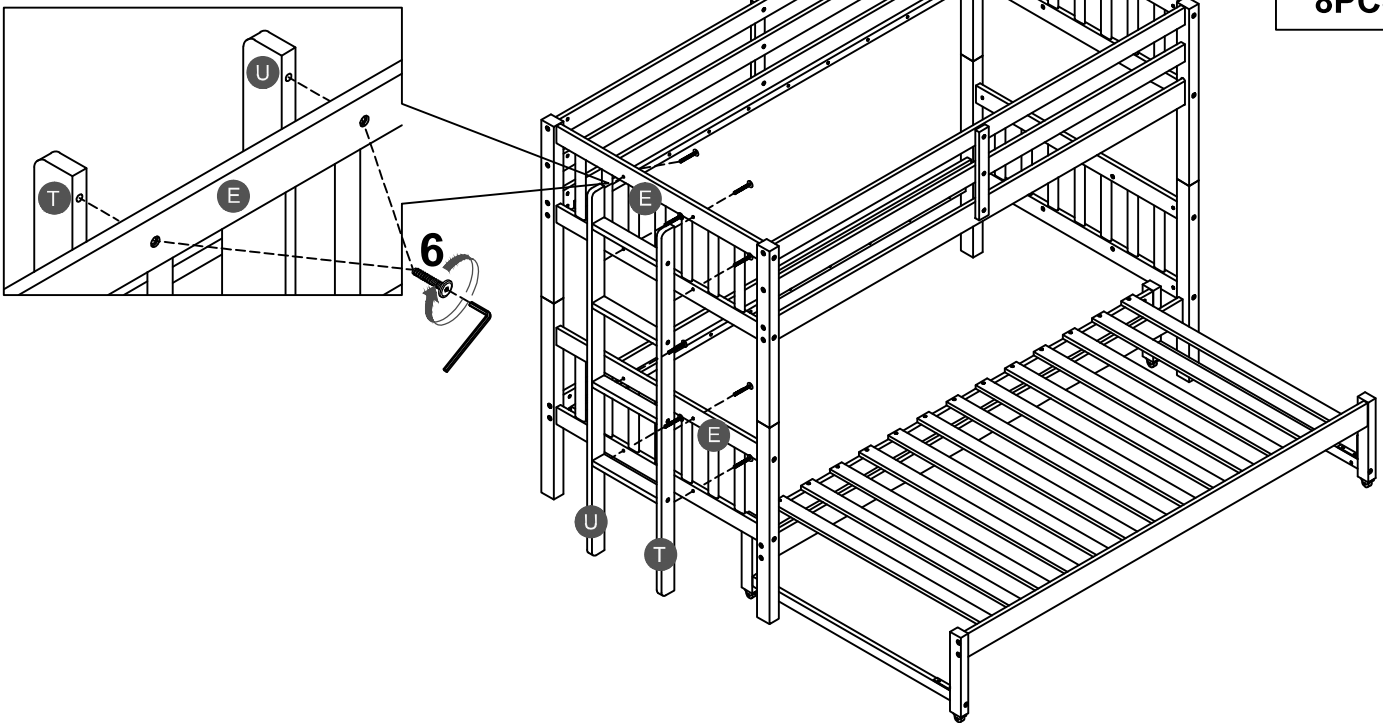
STEP 11:

4		8	
8PCS		8PCS	

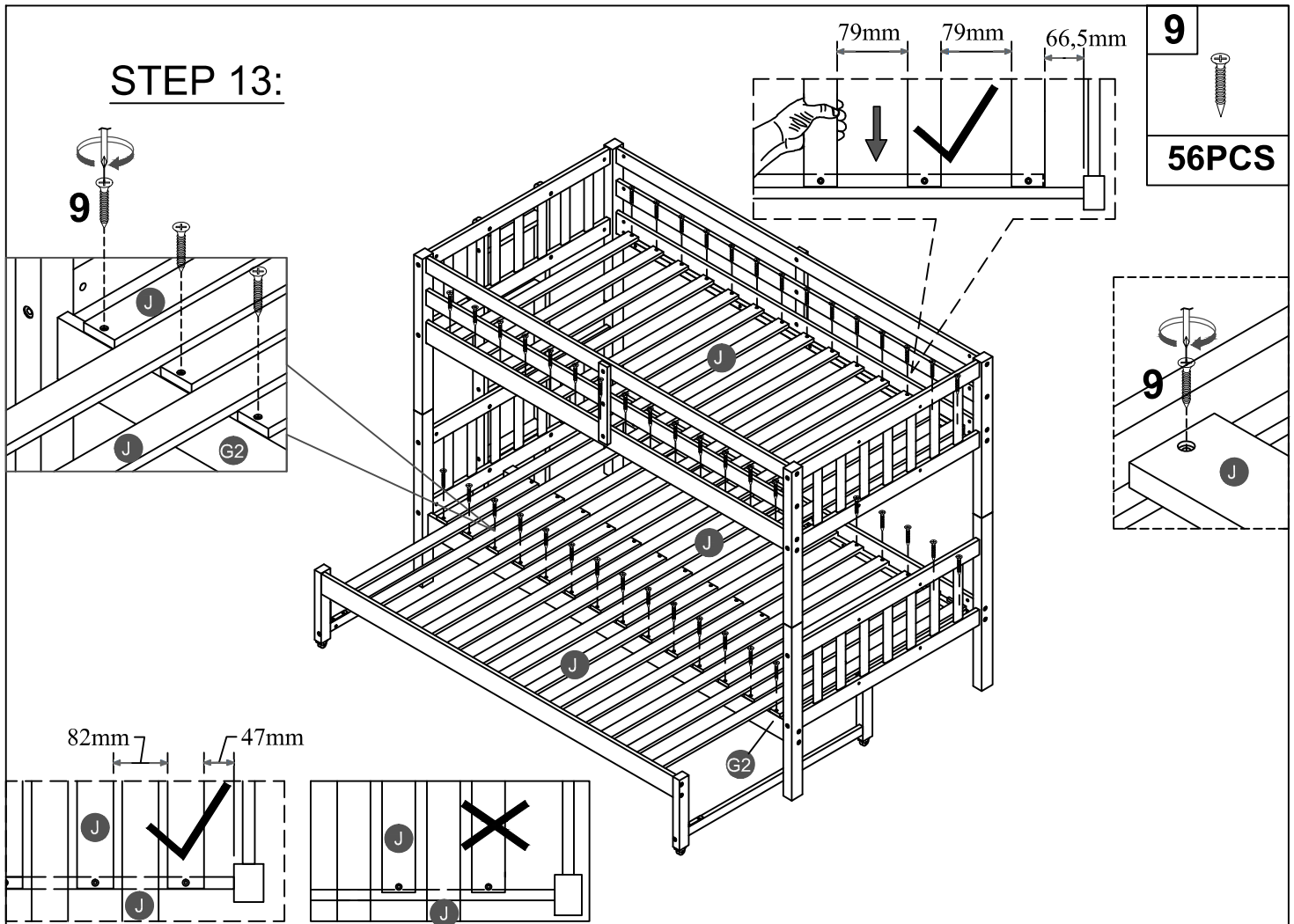


STEP 12:

6	
8PCS	

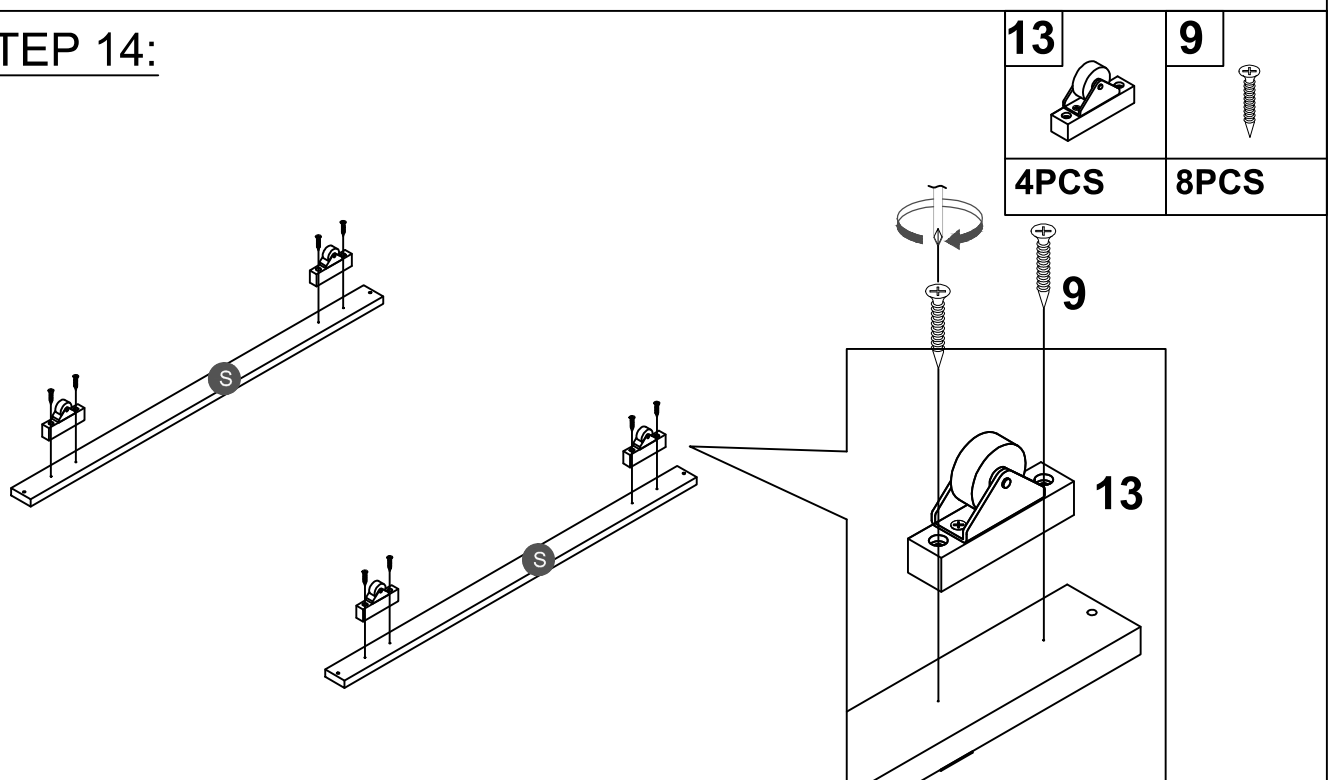


STEP 13:




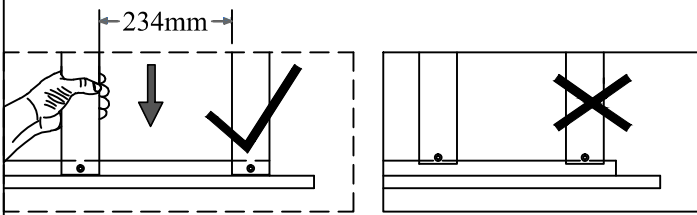
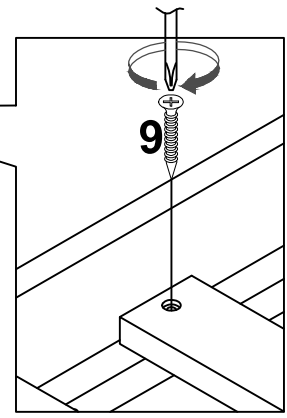
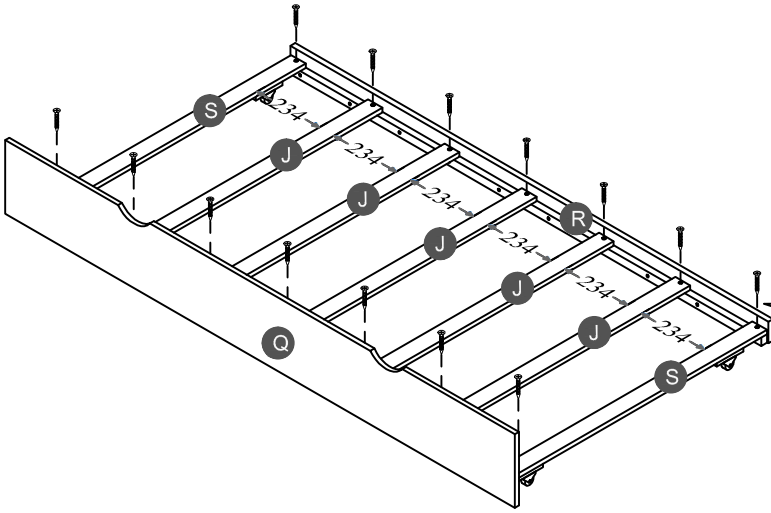
Note: Do not lock the screws of the bed slats to the outermost edge of the bed slats, you need to leave a certain space at the edges, otherwise it will cause the board to break.
Do not lock the bed slats on the edge of the wood, please hold firmly before screwing, hold it in place with one hand, then lock the screw.

STEP 14:




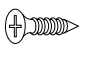
STEP 15:

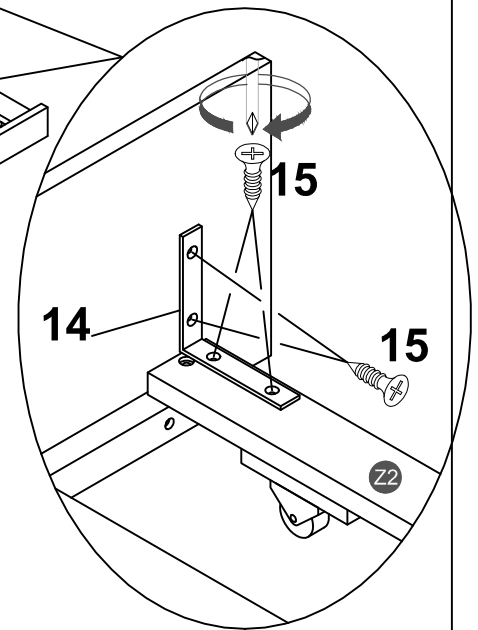
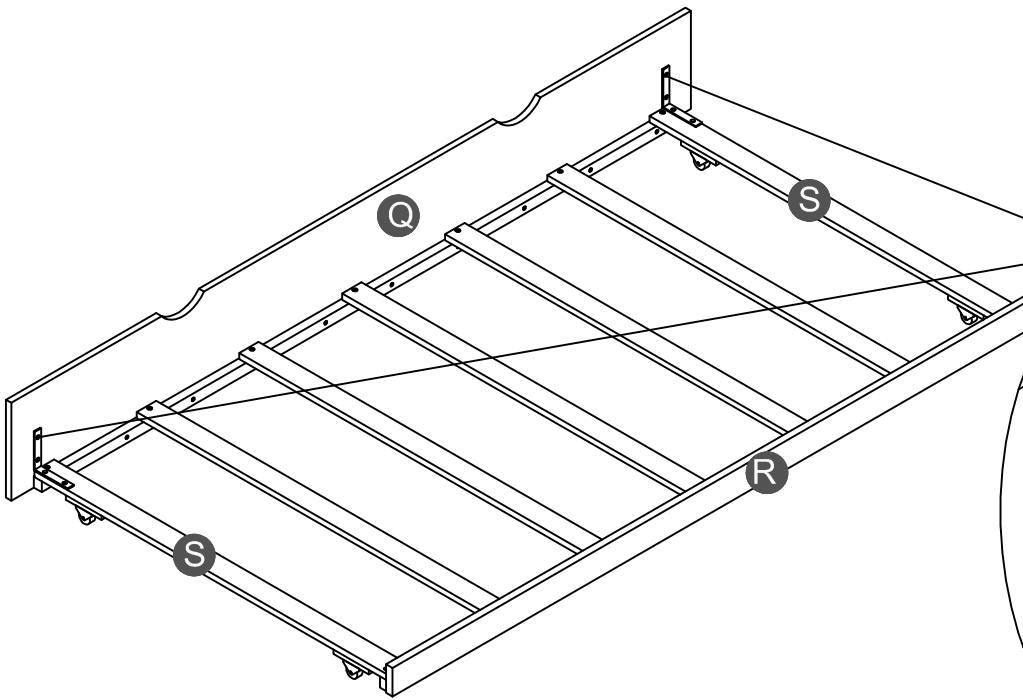
9	
14PCS	



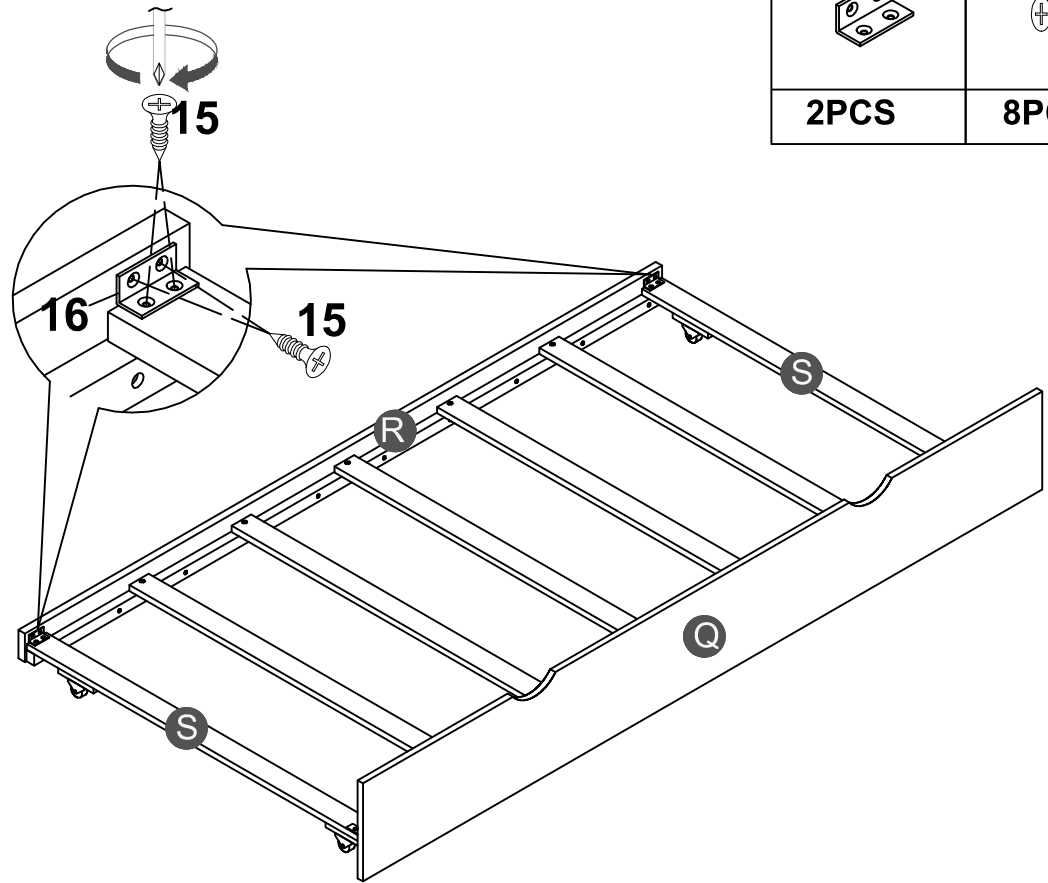
Note: Do not lock the screws of the bed slats to the outermost edge of the bed slats, you need to leave a certain space at the edges, otherwise it will cause the board to break.
 Do not lock the bed slats on the edge of the wood, please hold firmly before screwing, hold it in place with one hand, then lock the screw.

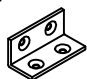
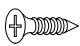
STEP 16:

14	15
	
2PCS	8PCS

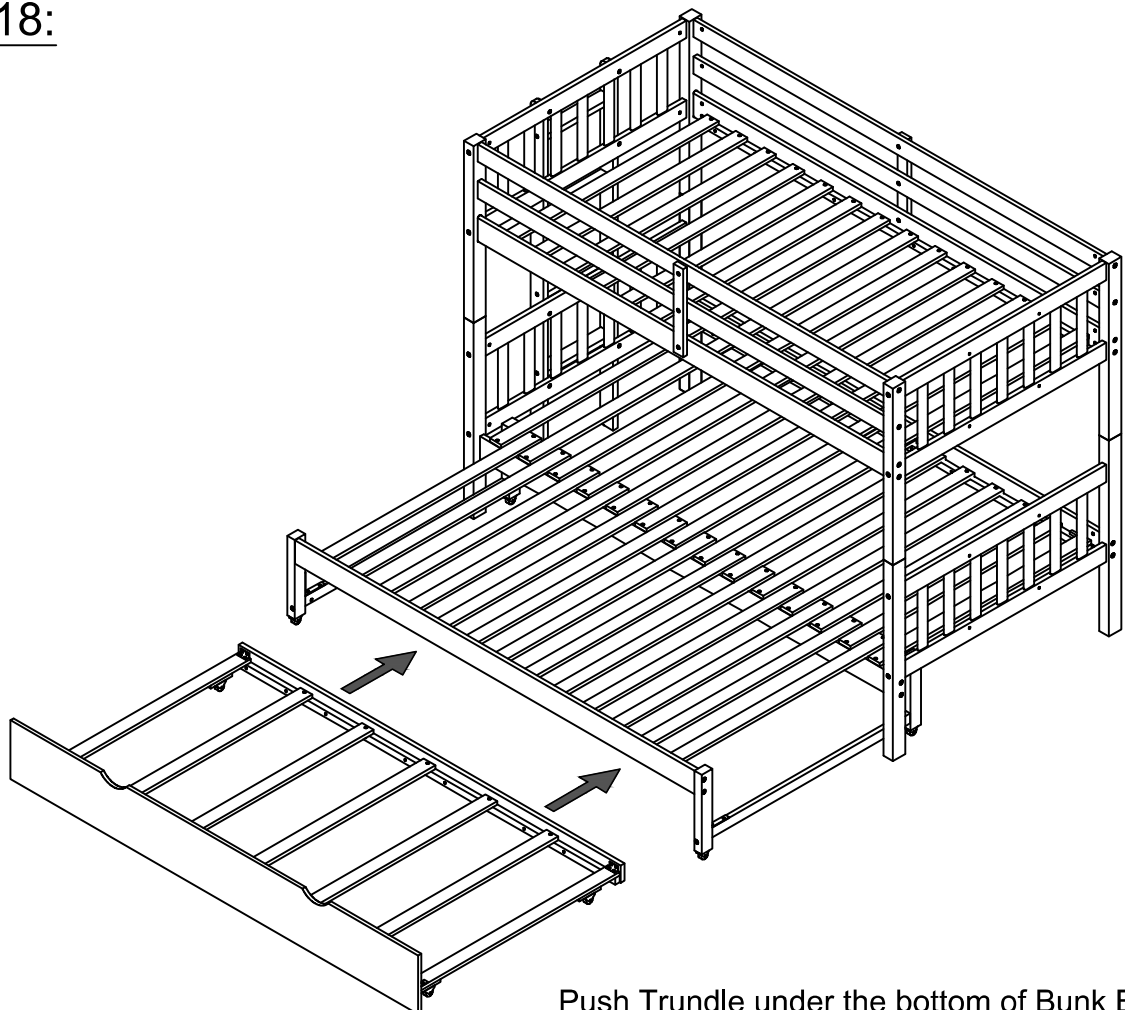


STEP 17:

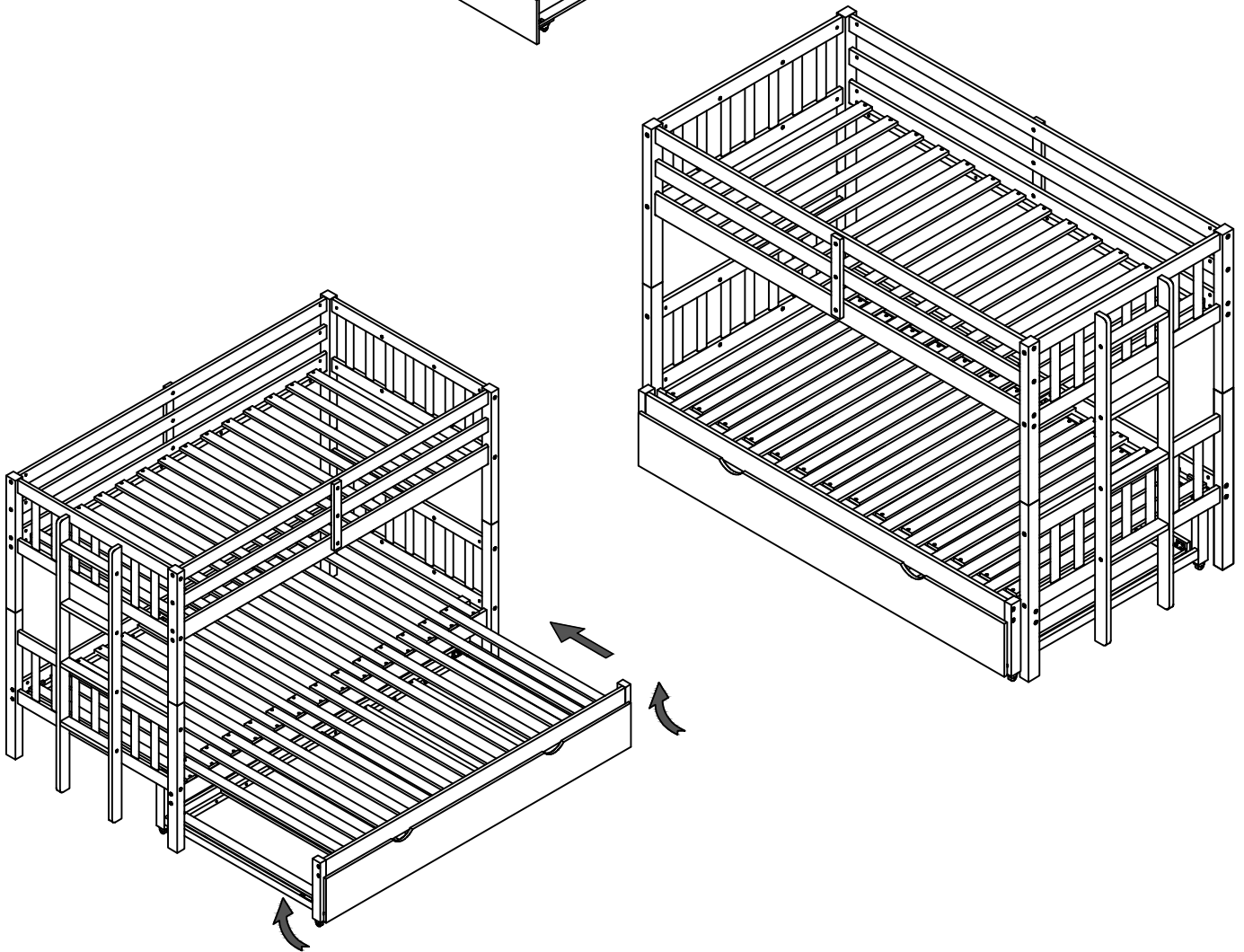
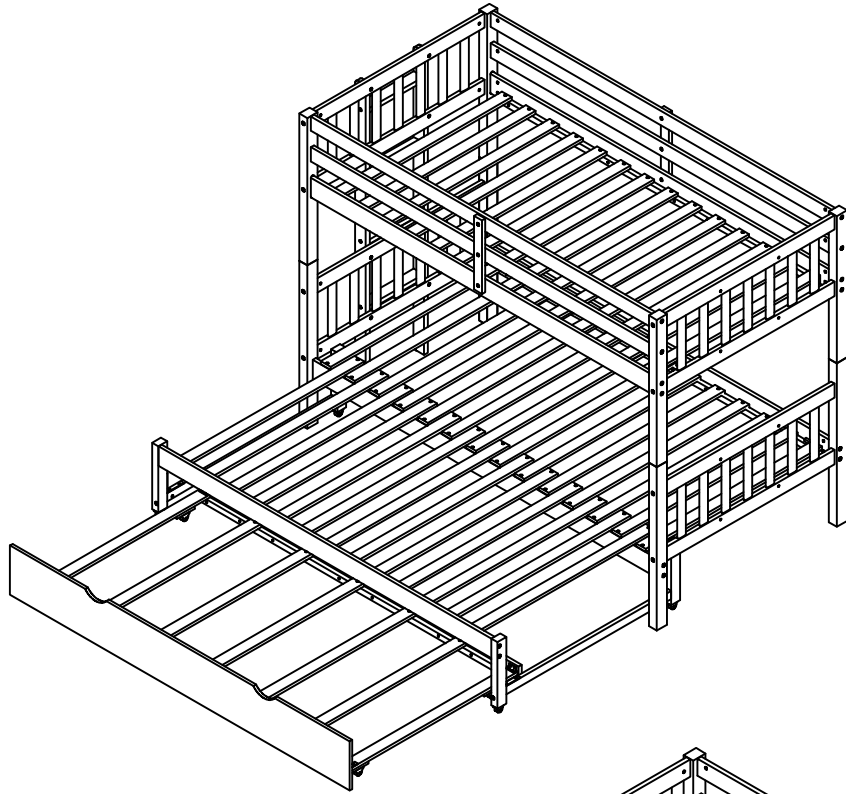


16		15	
2PCS		8PCS	

STEP 18:



STEP 19:



Remark: When opening or closing the pull bed,
Please lift the pull bed slightly before opening or closing it.