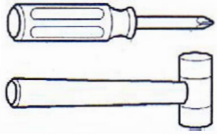
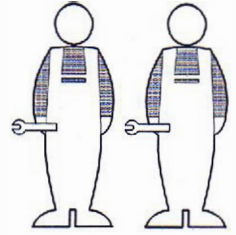
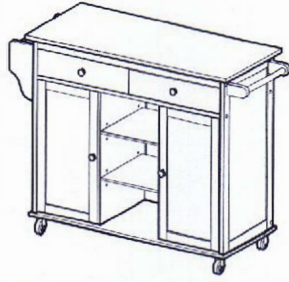


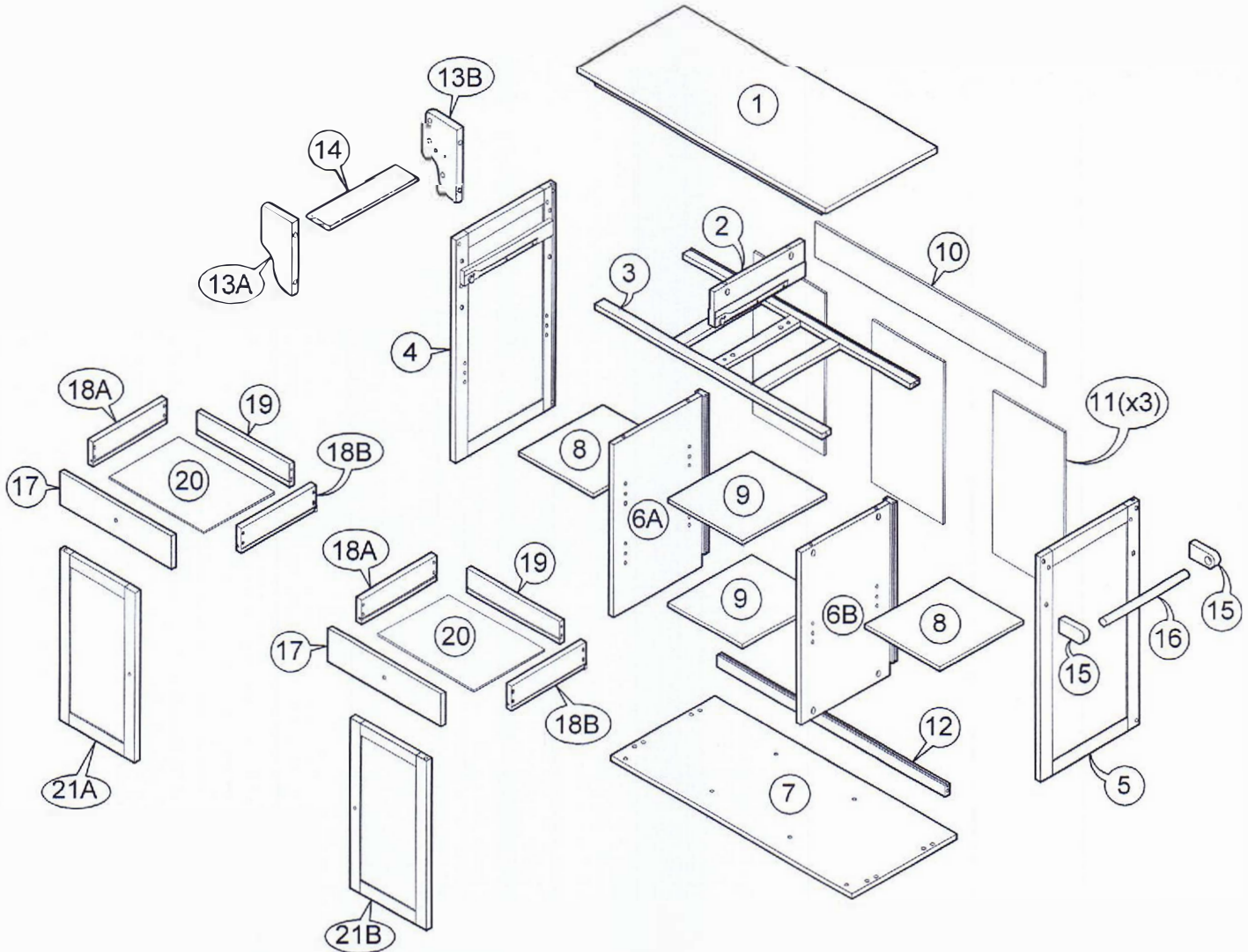
ASSEMBLY INSTRUCTIONS



Not Provided

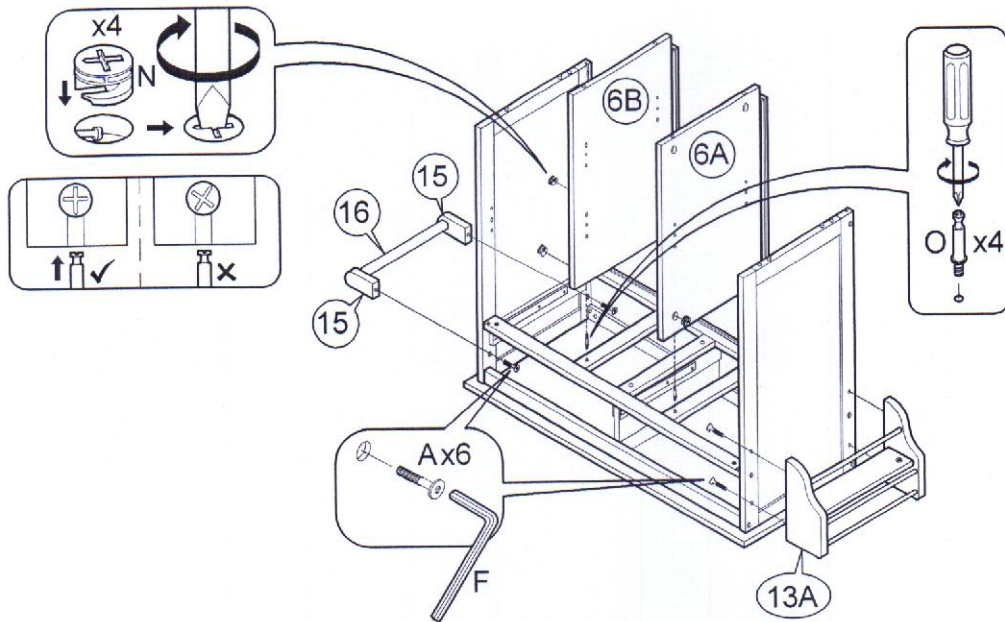


2 Persons

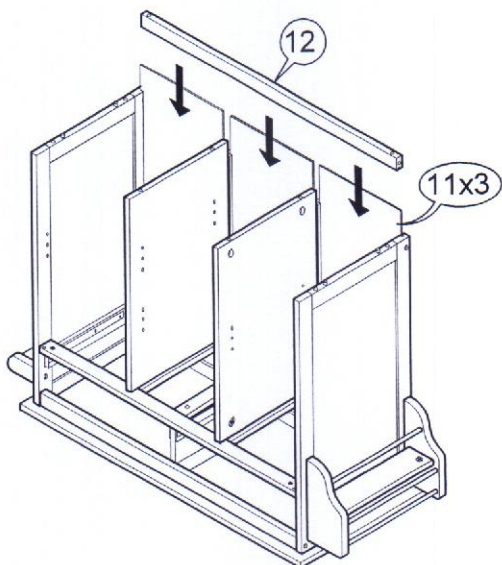


A	M6 x40mm = 10	G	= 4	M	= 4	S	50mm = 2
B	M6 x 60mm = 10	H	20mm = 4	N	9mm = 12		
C	1/4" = 4	I	= 2	O	24mm = 12	T	50mm = 2
D	M6 x13mm = 4	J	M3 x16mm = 4 (For Magnetic)	P	#8 x 1 1/4" = 18		
E	M6 x13mm = 10	K	M3.5 x16mm = 16 (For Caster)	Q	14.5Ø = 8		
F	= 1	L	= 16	R	= 3		

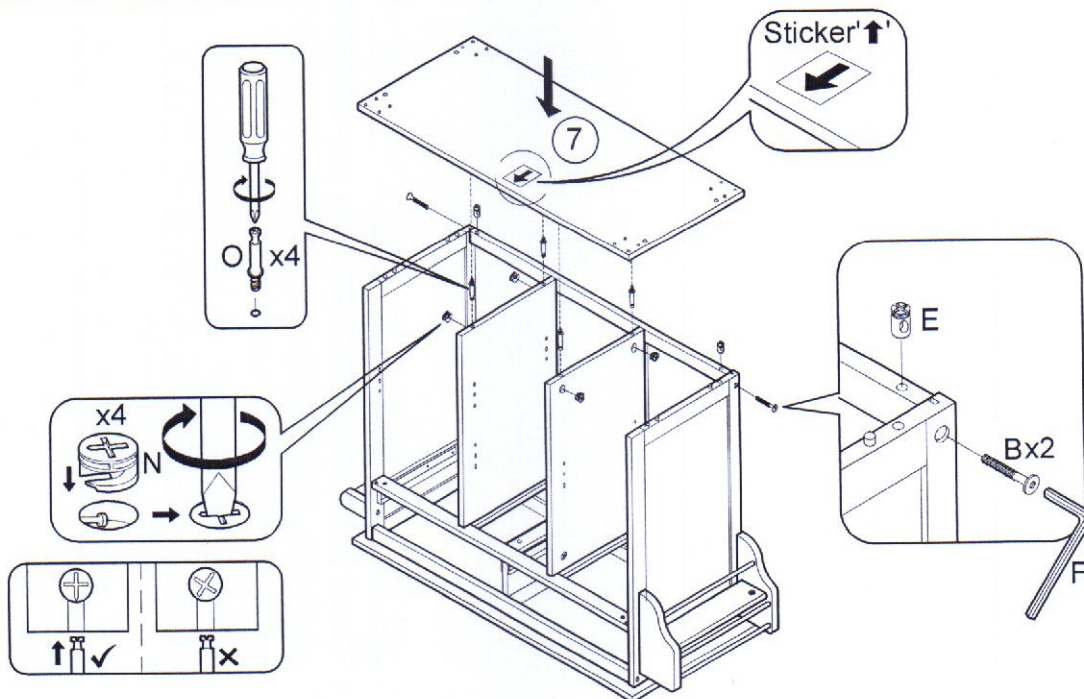
5



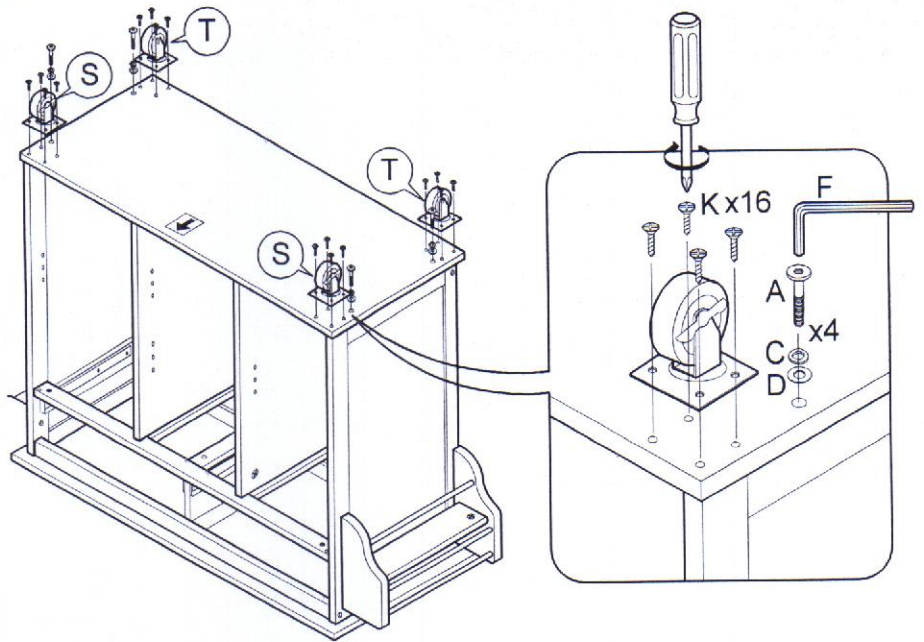
6



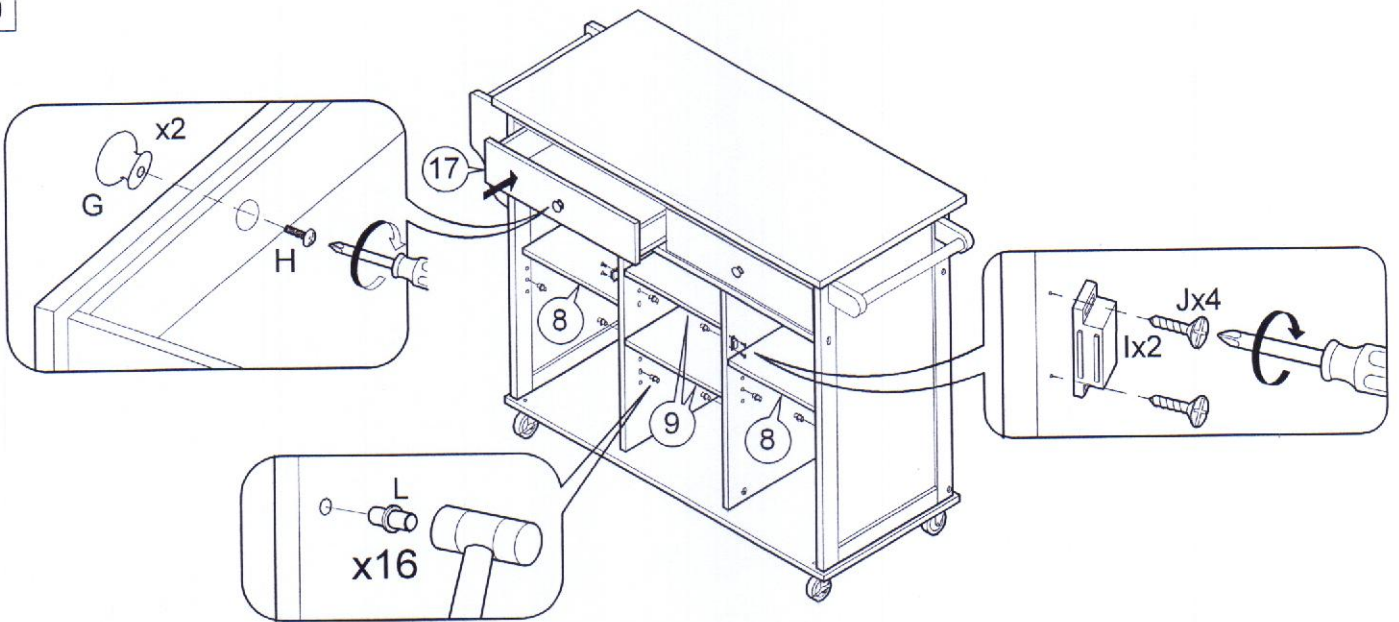
7



8



9



10

