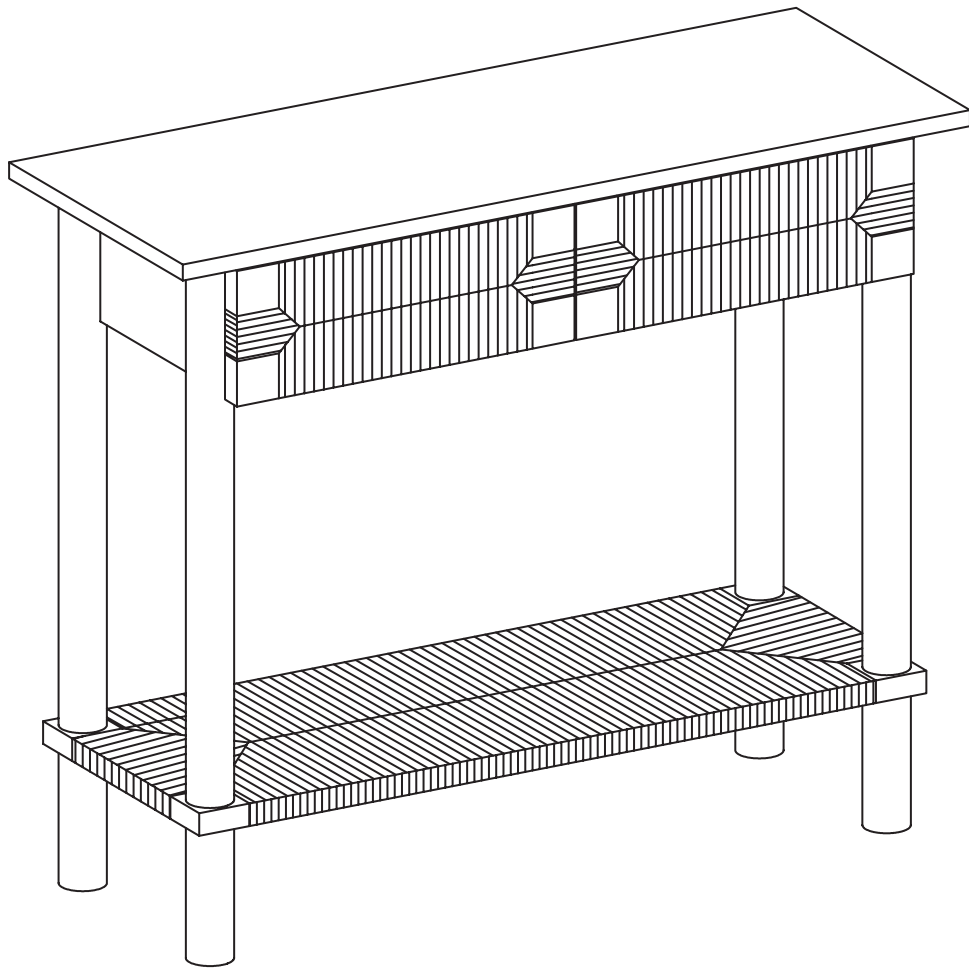


Let's build the

# Beacon Console Table

SKU 37001



**Scan me!**

Inspiration  
Digital Instructions  
Free Lifetime Warranty

nathan james

23-0628

# Ok, let's get rolling

This should be easy, just follow our instructions and you will be back to Netflix in no time.

## Estimated time for assembly



35:00

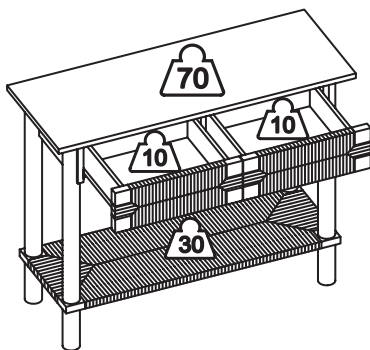
## What you need

- Some of your favorite bubbly or your preferred relaxant
- Use the packaging carton as a working surface to prevent product damage during assembly
- Phillips Head Screwdriver

Do not use a drill



## Weight Limitation



Toll-free at 1-866-619-1004  
Help@nathanjames.com  
Nathanjames.com/help

## What's included

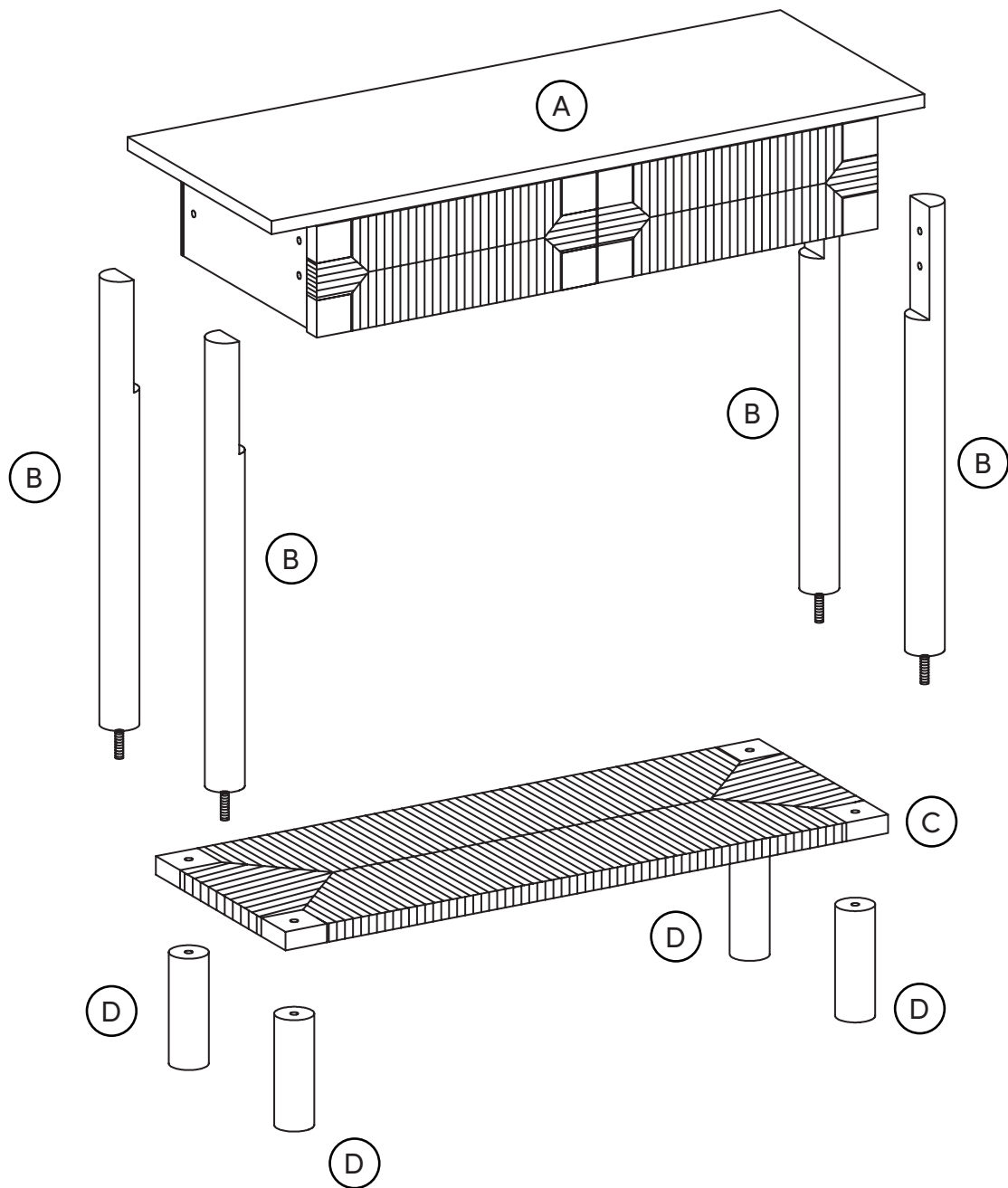
Description	Qty
A Top Frame	1
B Long Legs	4
C Shelf	1
D Short Legs	4

Scan me!

Inspiration  
Digital Instructions  
Free Lifetime Warranty



# The goods



## IMPORTANT

1. Do not tighten bolts / screws completely until all bolts / screws are lined up and inserted into holes.
2. Do not over tighten screws and bolts to avoid stripping.
3. Please use hand tools to assemble this product. Do not use power tools.



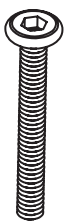
## What's included

	Description	Qty
1	1/4 x 38mm Hex Button Head Bolt	8
2	Spring Washer	8
3	Flat Washer	8
4	Allen Key	1
5	Plastic Bracket (For Anti-Tip Kit)	2
6	Non-drywall Wall Anchor (For Anti-Tip Kit)	2
7	M4*50mm Screw	2
8	M3.5*15mm Screw	2
9	Plastic Strap (For Anti-Tip Kit)	1
10	Dry Wall Anchor (For Anti-Tip Kit)	2
11	Leveler (Extra)	2



# The goods

1



2



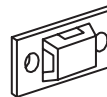
3



4



5



6



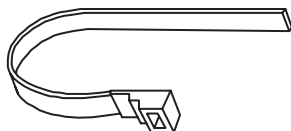
7



8



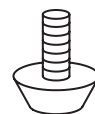
9



10



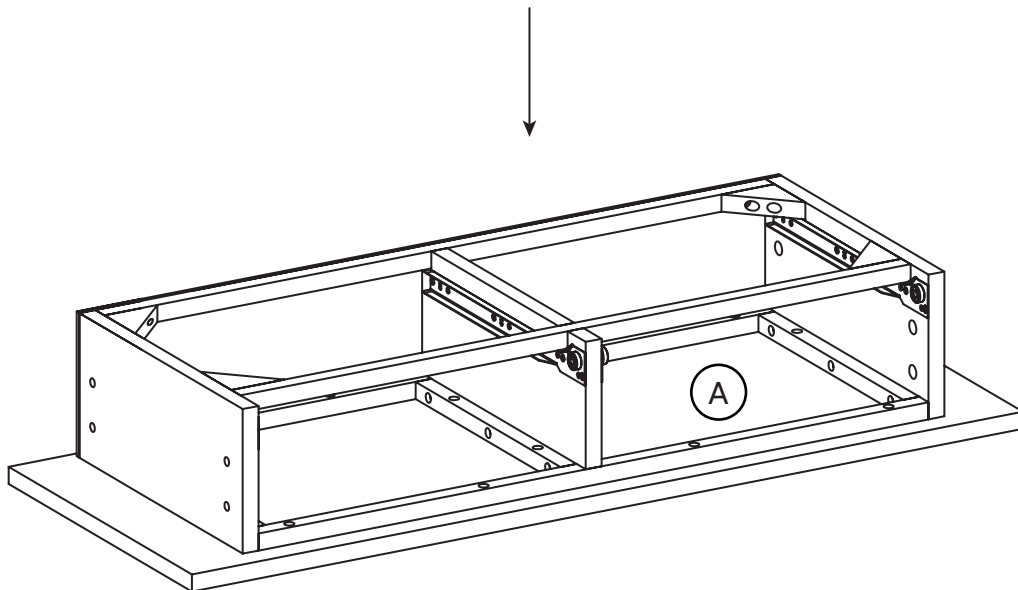
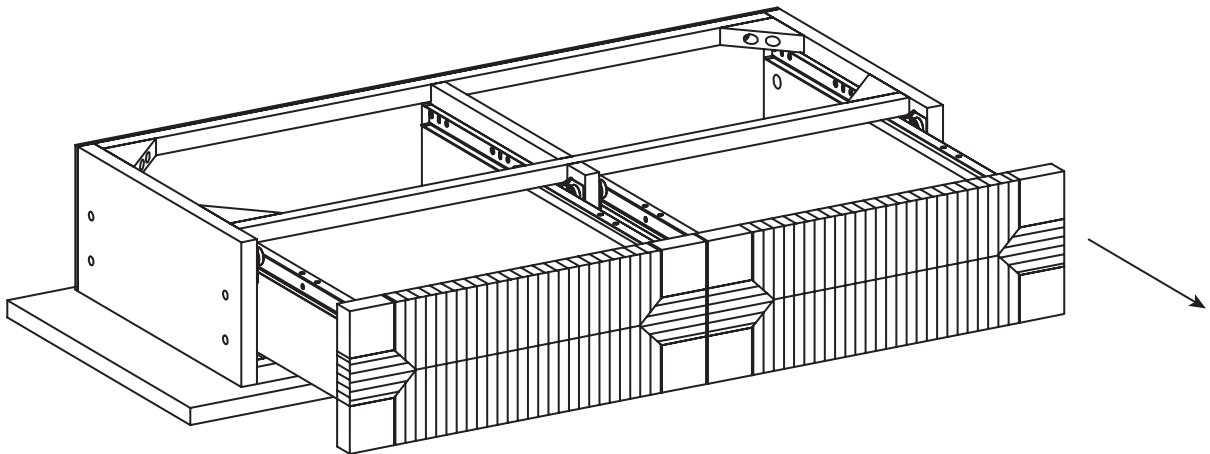
11



# Step 1

Let's get this thing fired up!

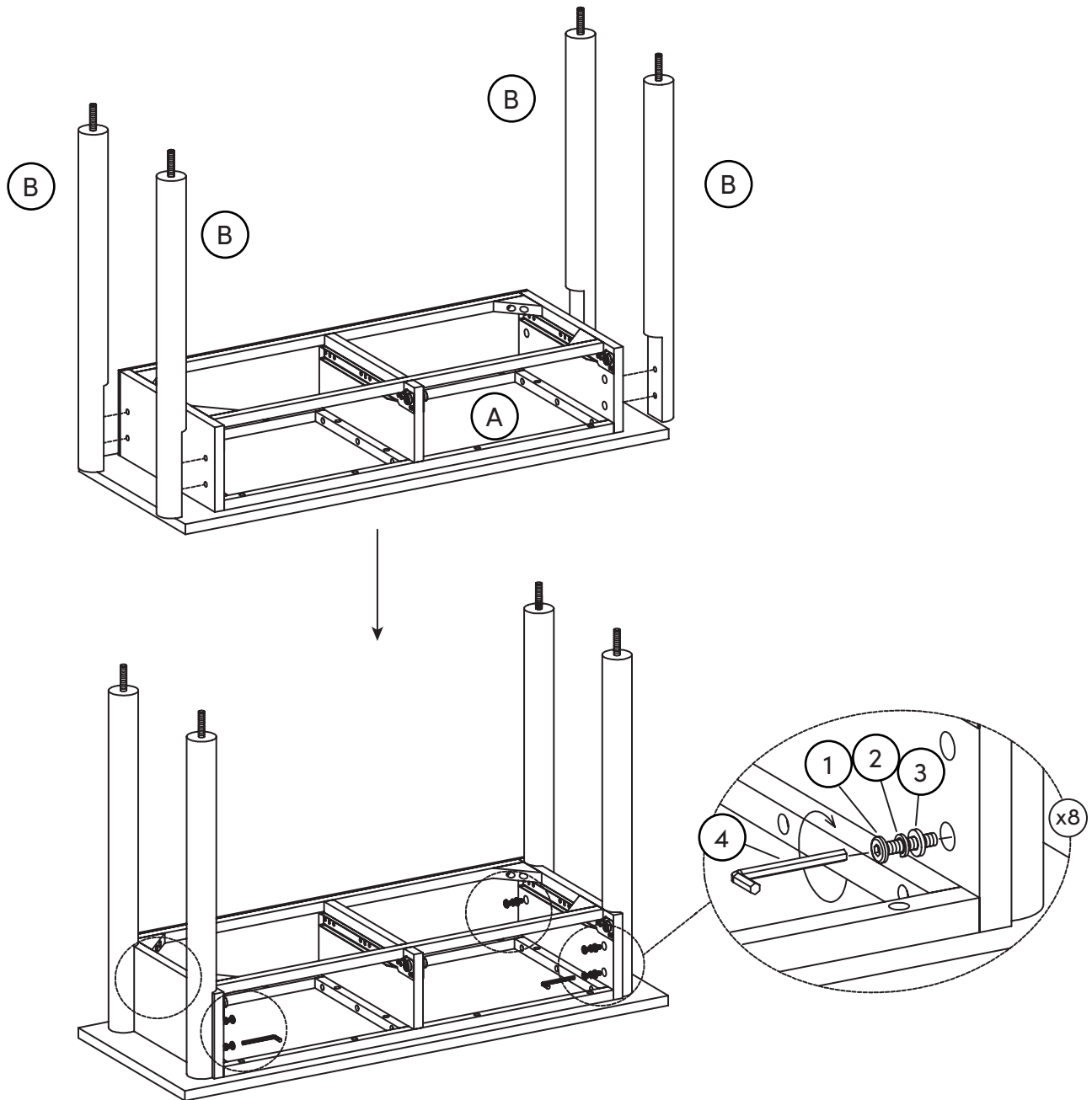
Temporarily remove the drawers  
before starting the assembly.



# Step 2

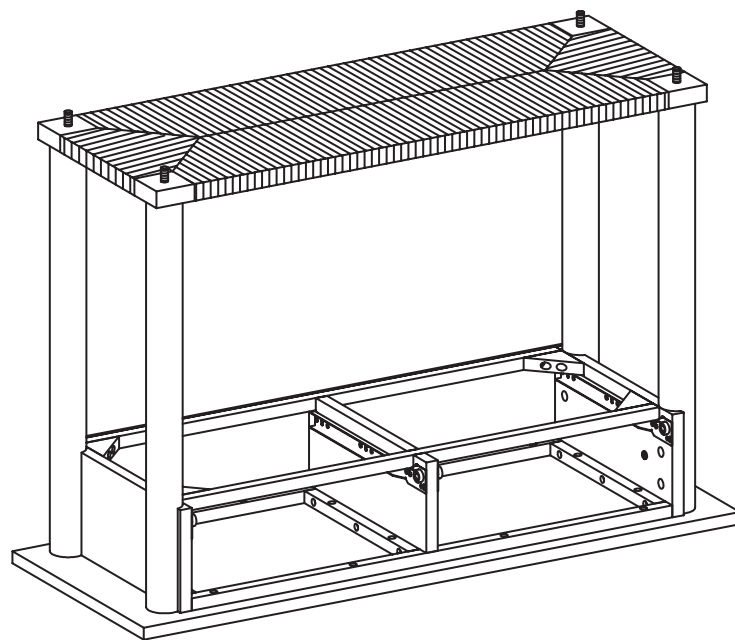
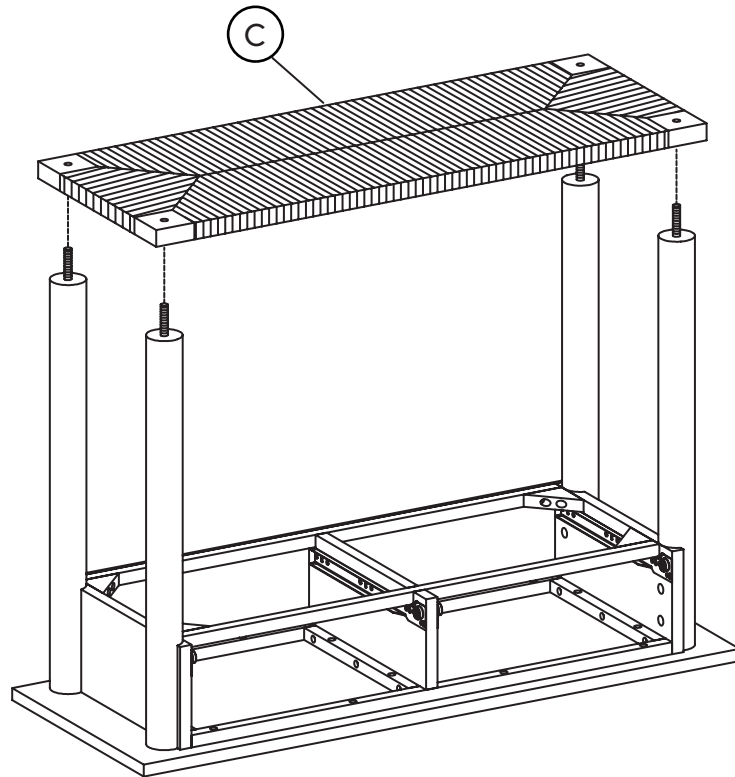
Next, attach the Long Legs (B) to the Top Frame (A) by aligning the holes. Then, use the 1/4 x 38mm inch Hex Button Head Bolts (1) to connect them. Insert the Spring Washer (2) and the Flat Washer (3) to the Bolts (1) before tightening everything to 100%.

We told you this was going to be easy!



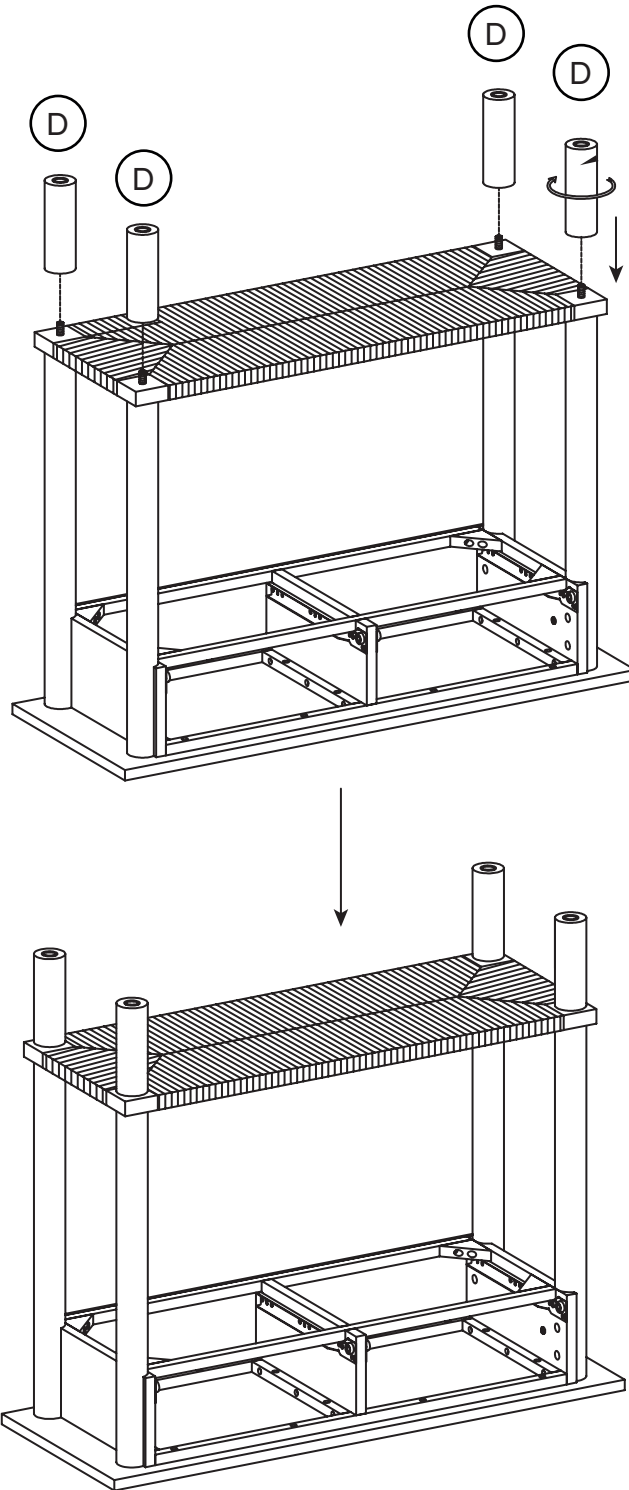
# Step 3

Attach the Shelf (C) to what you've assembled so far. Be sure to align the holes with the Frame.



# Step 4

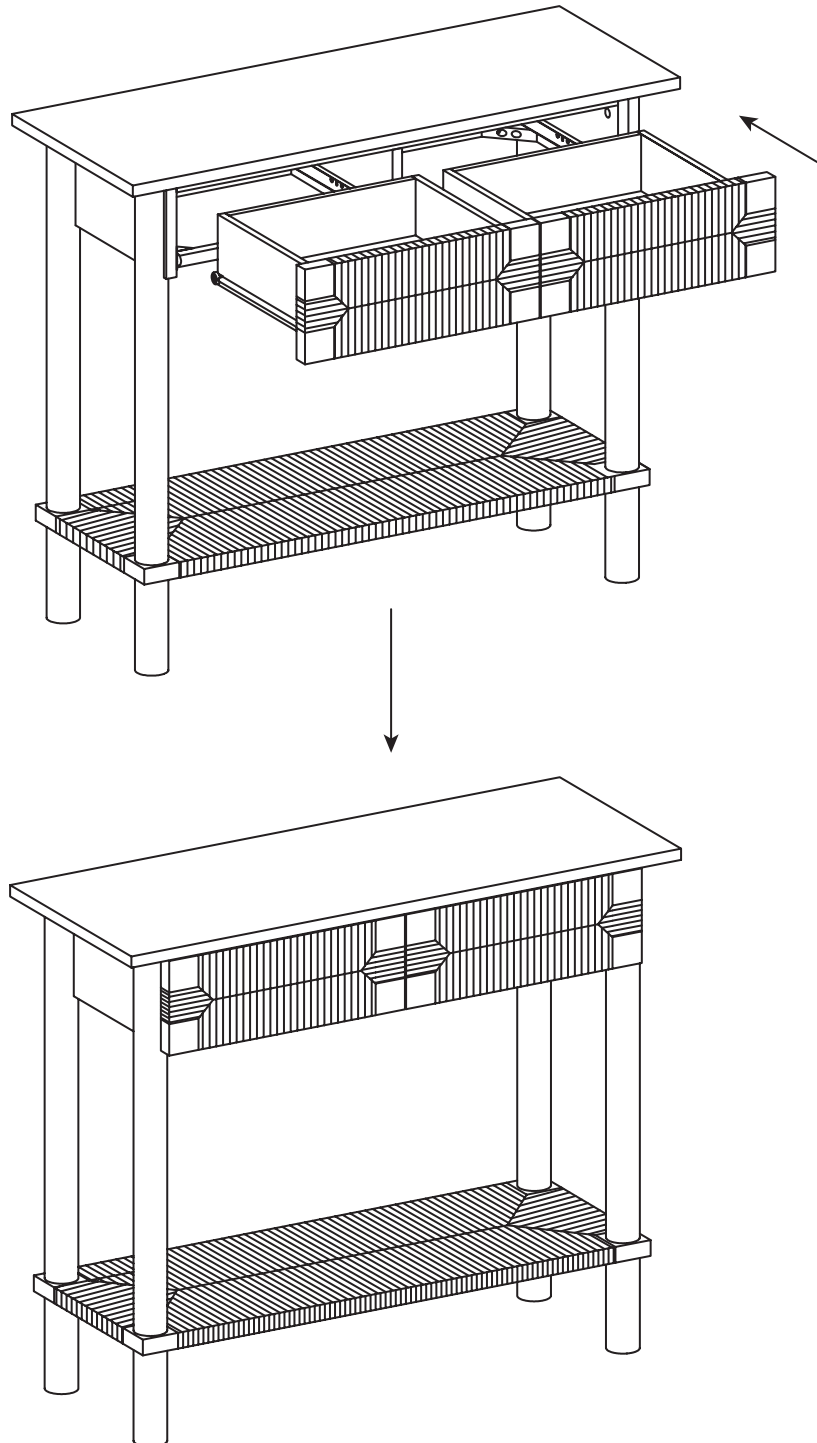
Next, attach the Short Legs (D) to what you've assembled so far, then tighten everything to 100%.



# Step 5

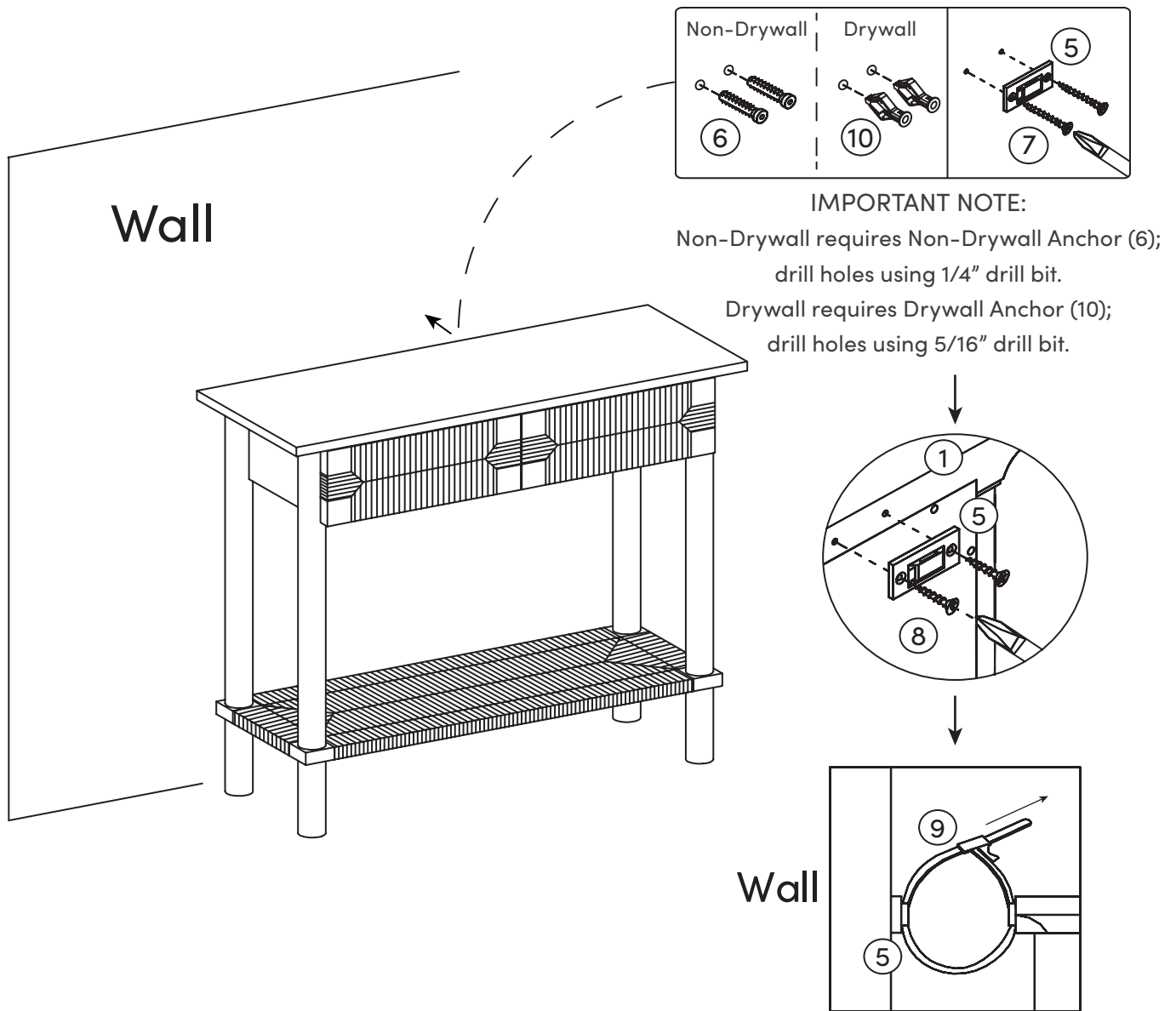
Slide the drawers inside.

You're so close!

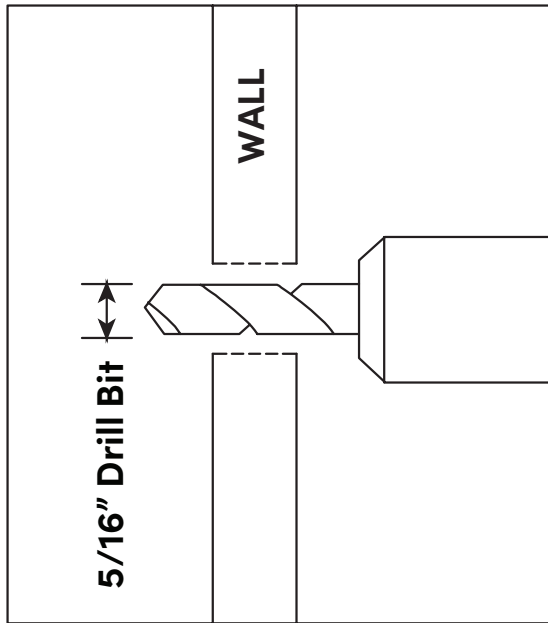


# Step 6

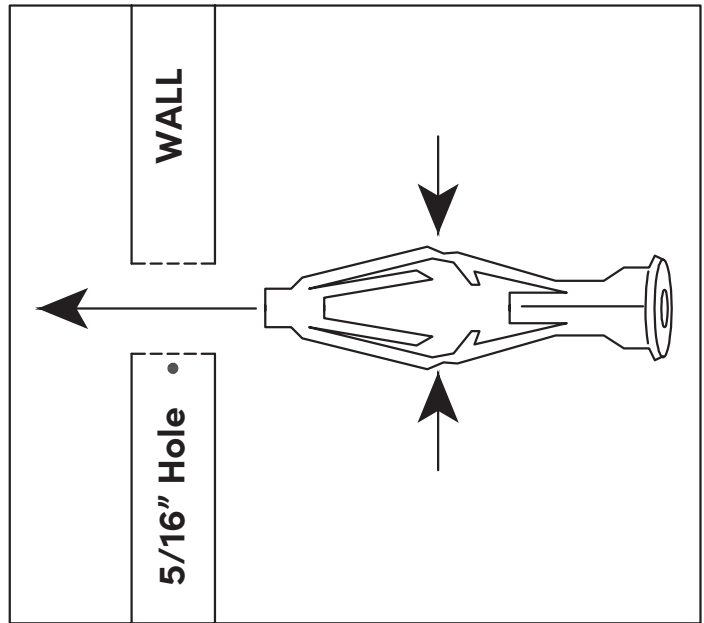
Safety first! Last but not least, secure your console table to the wall.



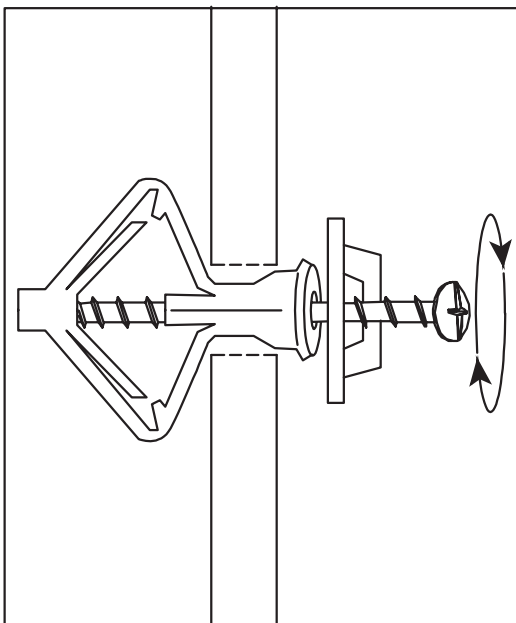
# How to Use Drywall Anchors



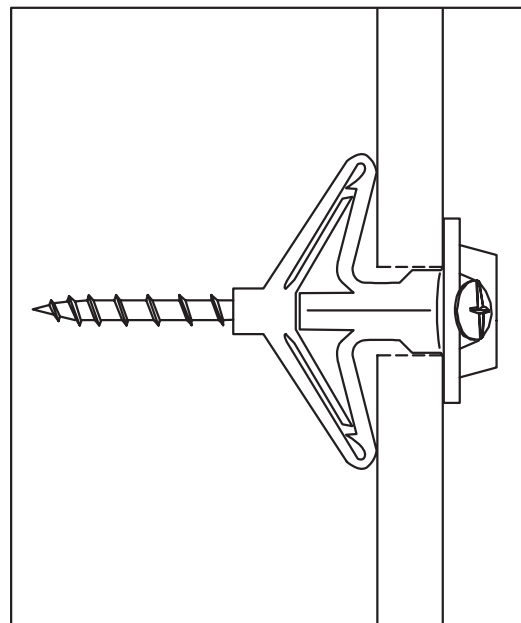
1. Drill hole with 5/16" bit.



2. Pinch and insert.



3. Begin tightening.



4. Anchor is secure when screw is tightened to 100%.



# No heartburn, when we handle the return

Give us a call **1-866-619-1004** or shoot us a message at **help@nathanjames.com** we will issue you a free replacement with **zero hassle**.

## Our way



Give us a call

---



Replacement

---



You

## Their way



Re-package item

---



Schedule pick up

---



Track package

---



Replacement

---



You

We really don't want you to go through the hassle of re-packaging your item and sending it back, because let's be honest...nobody has time for that.



# Safety first, fun later

We want your console table to last as long as possible, so we recommend that you tighten the screws 2 weeks after assembly and for added safety check the tightness of all screws every 2 months.

For proper care and treatment of wood and fabric please check our website at [NathanJames.com/products](http://NathanJames.com/products)

## Safe use of this product starts with you.

Use this console table responsibly with the primary concern for your safety. Follow assembly instructions carefully and inspect product upon receipt and each use.

Nathan James and its parent companies cannot be held legally responsible for any injuries or death resulted from failure to follow instructions or improper use of this product.

## Do not modify the structure of this product in any way.

Our products have been tested to meet specific safety measures as they were originally intended to be sold. Any modifications will present the risk of creating significant safety issues which NJ will not be responsible for.

## Proper use

- DO NOT** use for commercial purposes
- DO NOT** place on uneven floor or surface
- DO NOT** use as a step-stool or stand on table
- DO NOT** put hot serving liquid directly on table
- DO NOT** leave spilled liquid on table
- DO NOT** use if table is damaged or broken
- DO NOT** make temporary repairs
- DO NOT** use outdoors



# We are only in business if you're happy

For starters, thanks for being you.

☎ Toll-free at 1-866-619-1004

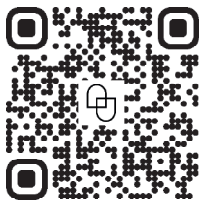
✉ Help@nathanjames.com

🌐 NathanJames.com/help

We do our best to ensure your furniture arrives without any problems, but occasionally mistakes happen—as humans we are imperfect beings. In the event that a part is damaged or missing, we will be more than happy to provide you with replacement part(s) for free.

## Warranty

This product comes with a lifetime warranty from the date of purchase. Please use your phone to scan the QR code to register your product or visit <https://goo.gl/i9dk3q>



### Did we do alright? Please spread the love!

If you are happy with your product, tell your friends and family about us or even better leave us a review online. Spreading the word gives us the opportunity to make more people happy and keep our prices low for your next purchase.

*Brooklyn Burden*

Founder, Nathan James