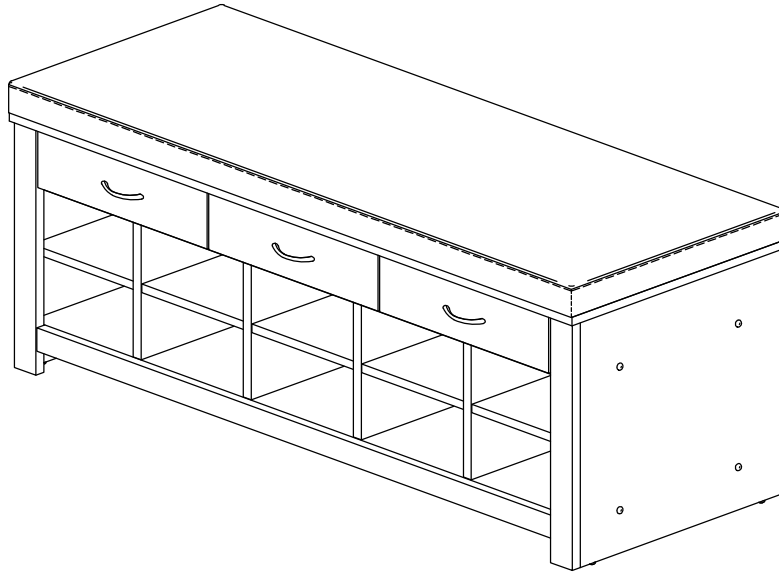
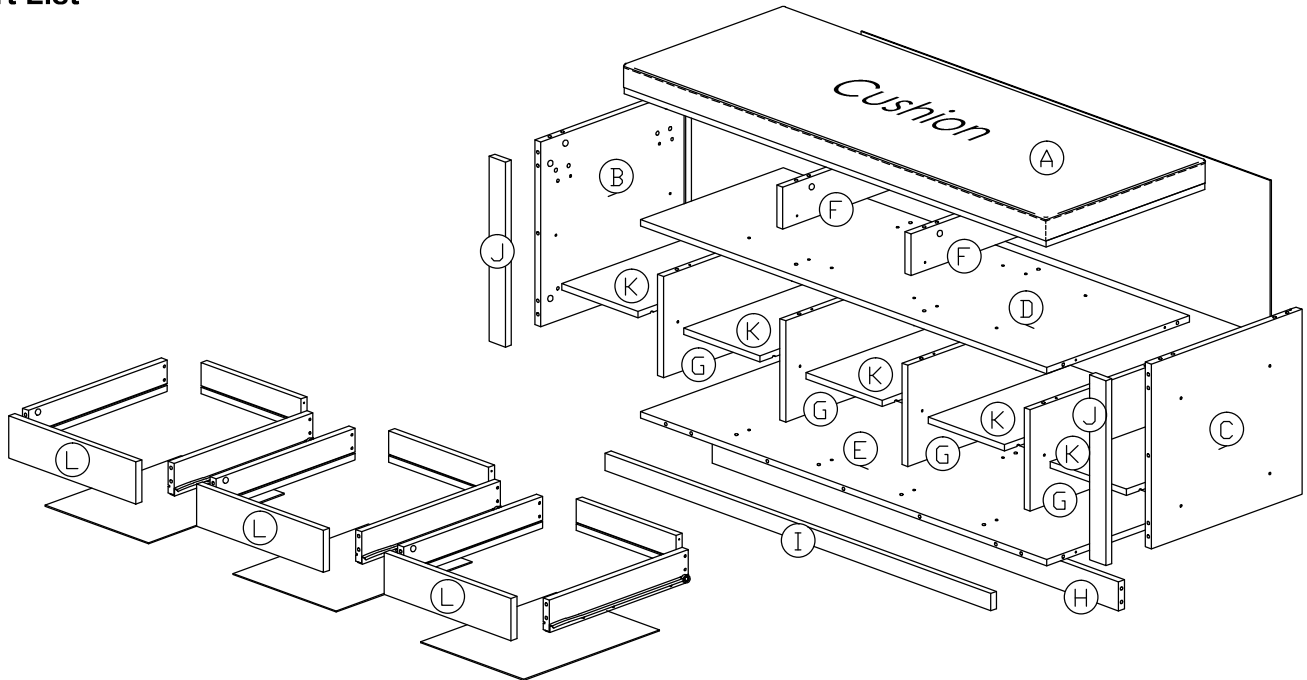


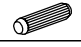
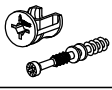



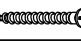

Assembly Instruction



Part List



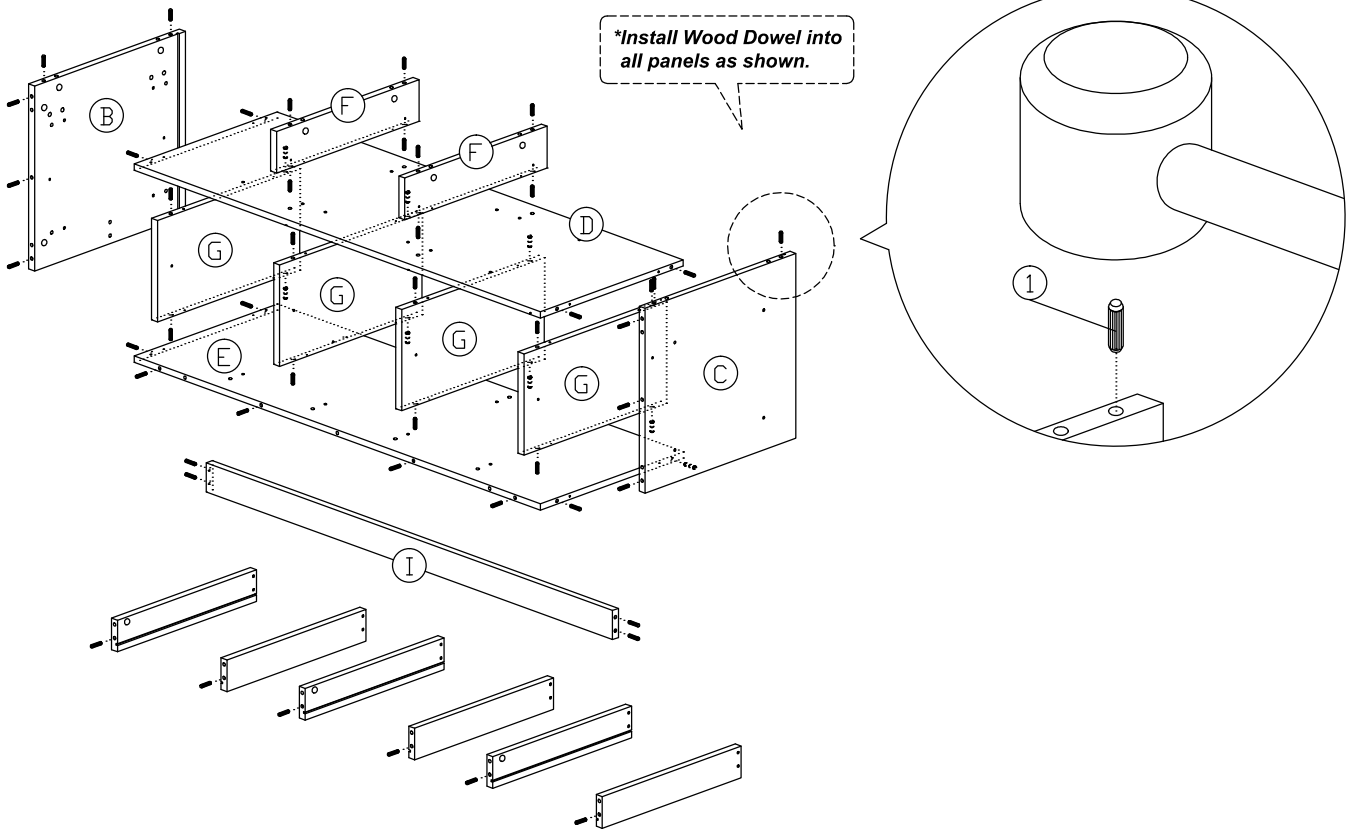
Hardware List

No.	SHAPE	DESCRIPTION	Qty.
1		8x25mm Wood Dowel	56Pcs
2		15MM Titus Mini Fix	21Sets
3		M5x8mm Screw (Euro Screw)	12Pcs
4		M3.5x16mm Screw	10Pcs
5		M4x38mm Screw	12Pcs
6		M5x38mm Screw	28Pcs
7		Shelf Support	20Pcs

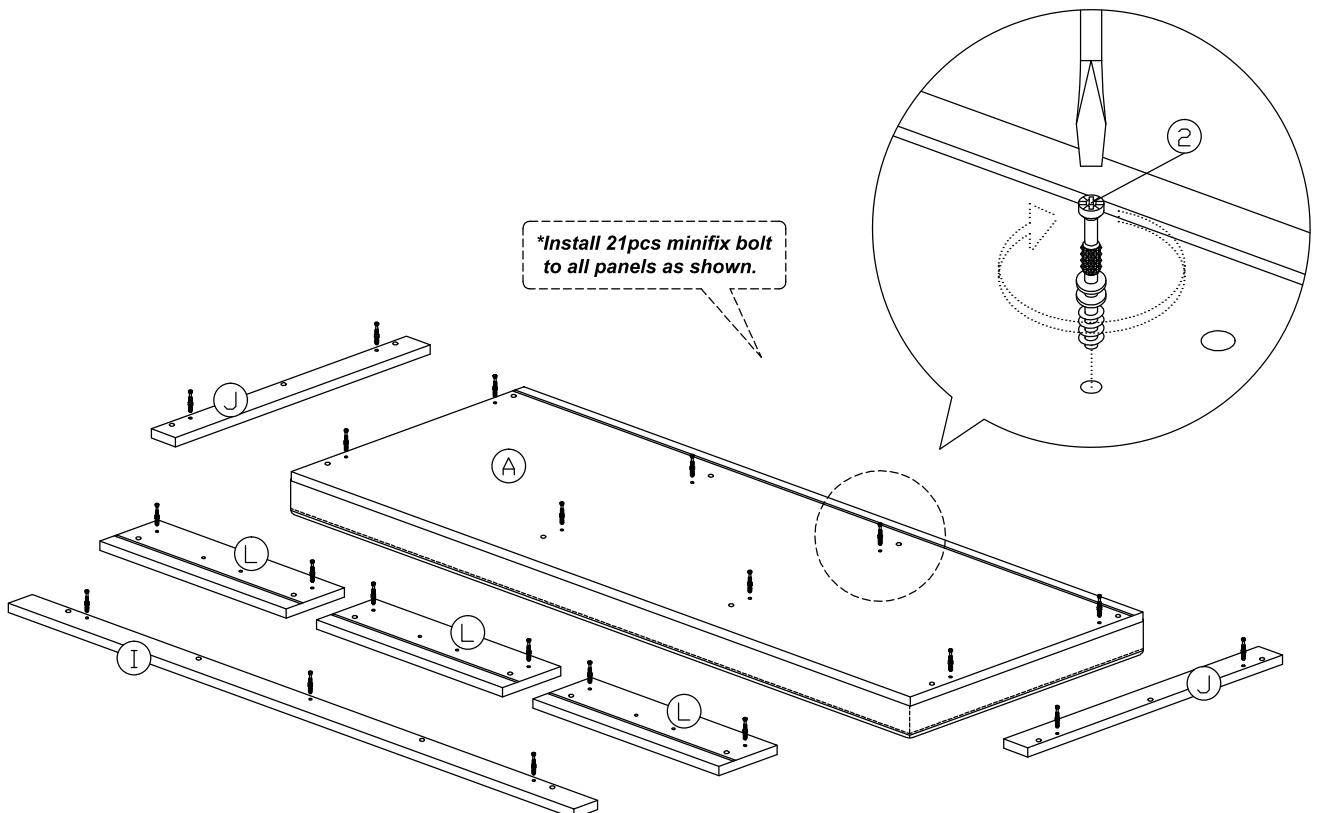
8		Handle 'C' Shape M3.6x20mm (Handle Screw)	3Sets
9		Drawer Slide = 300mm	3Sets
10		15mm Minifix Cap	6Pcs
11		Screw Cap	8Pcs
12		PVC Drawer Pin	4Pcs
13		Nail Leg	5Pcs
14		L Bracket	1Pc
15		Nail	16Pcs

Assembly Instruction

Step 1

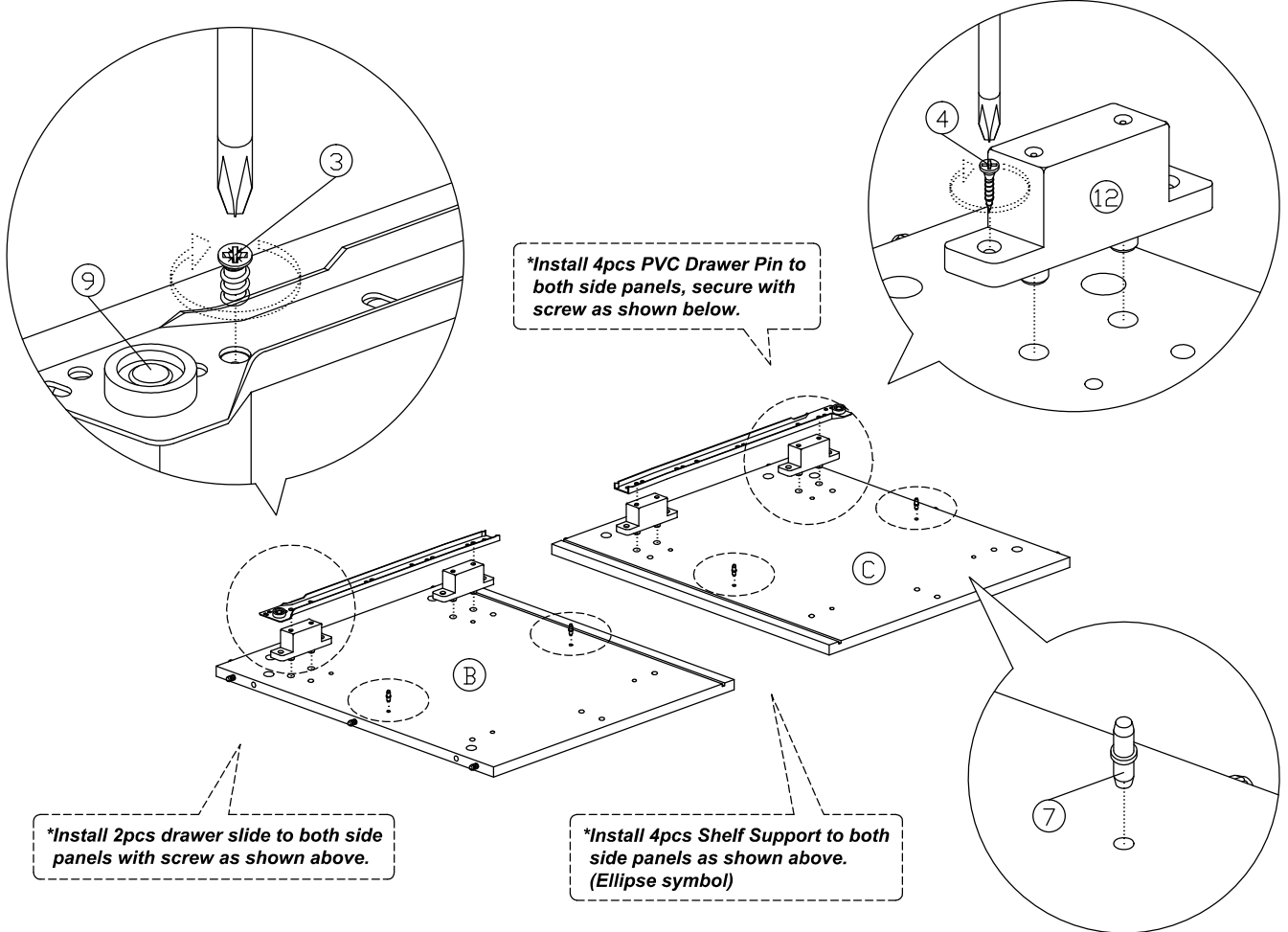


Step 2

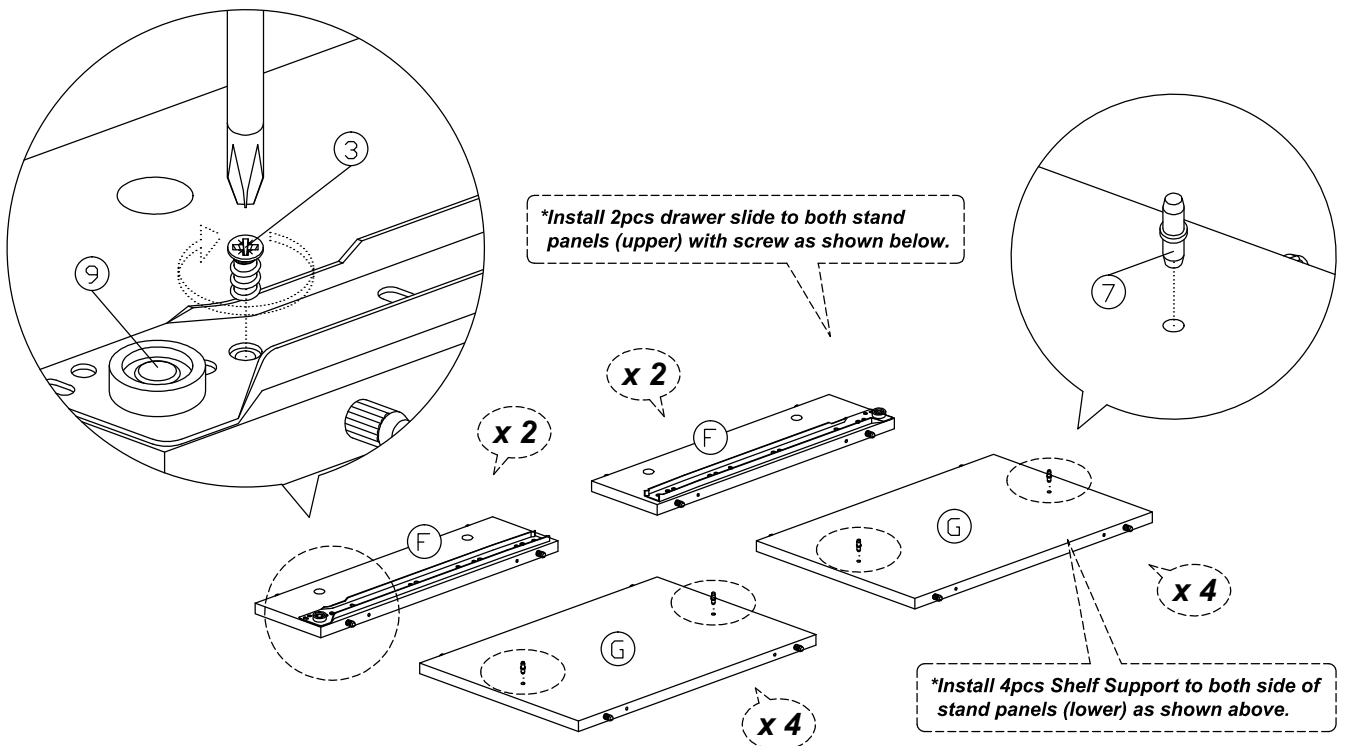


Assembly Instruction

Step 3

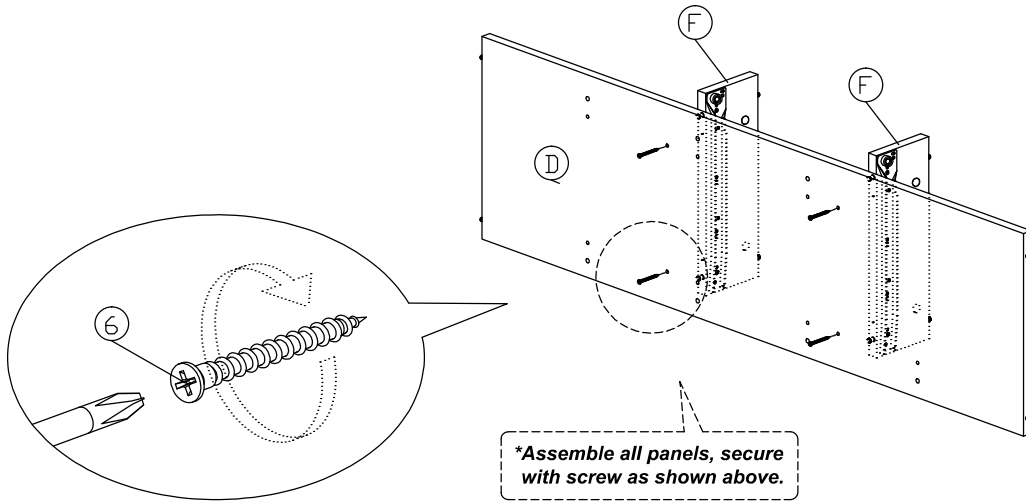


Step 4

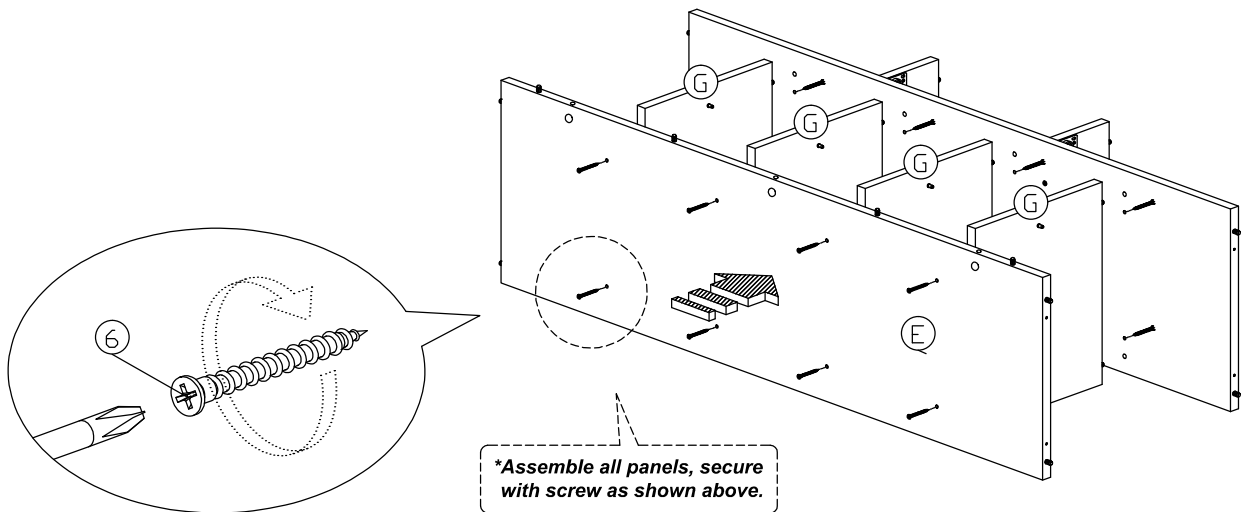


Assembly Instruction

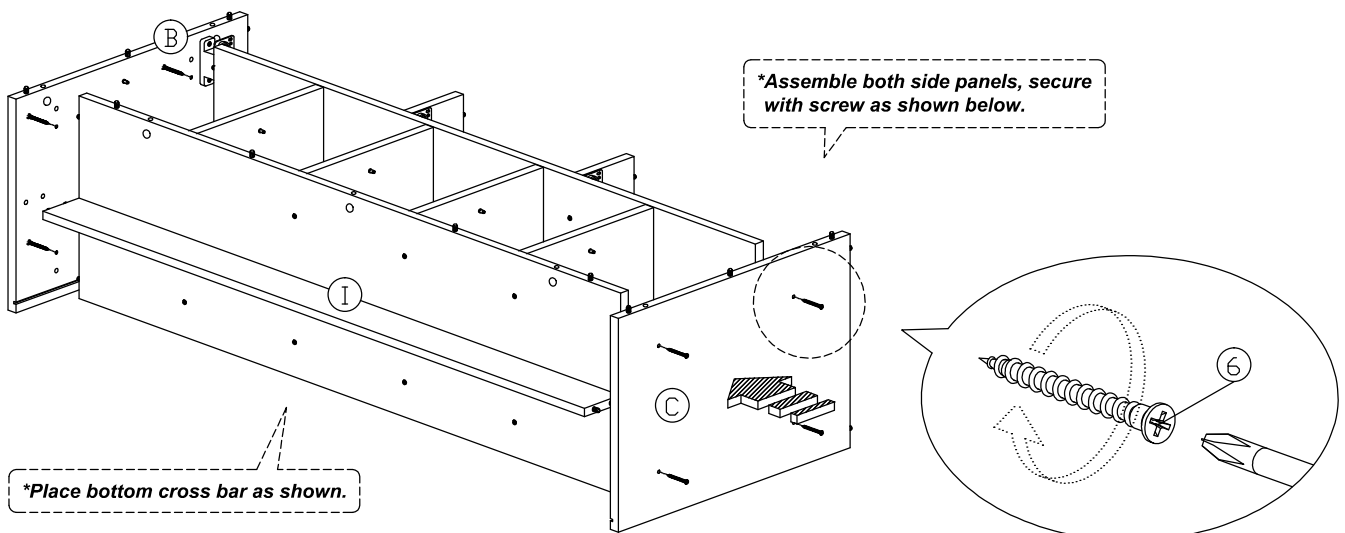
Step 5



Step 6

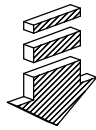
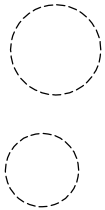
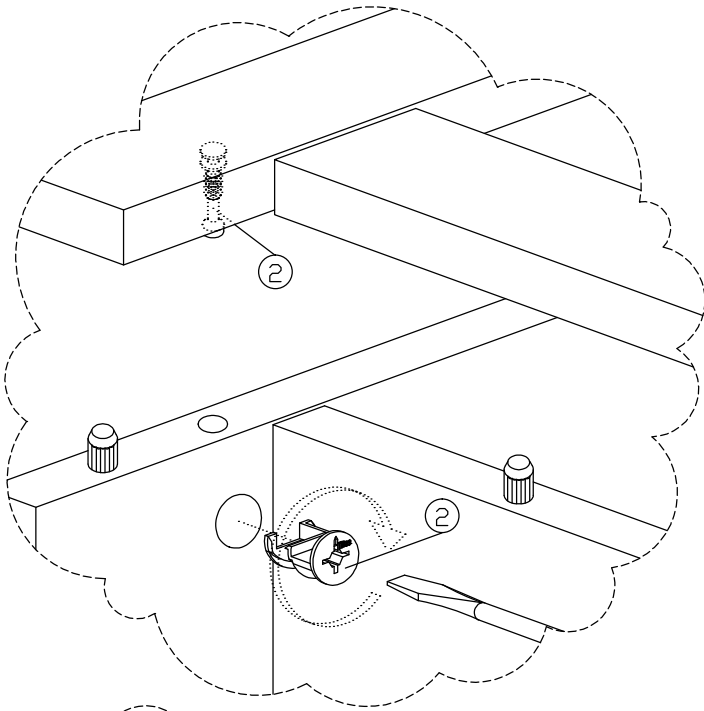


Step 7



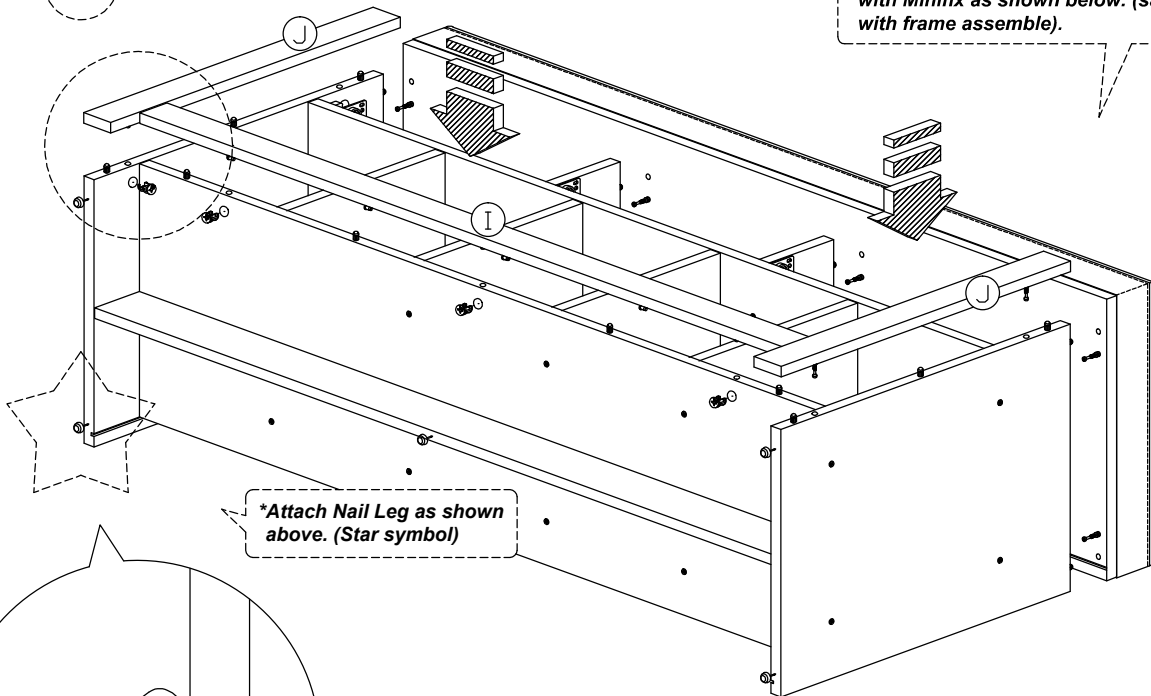
Assembly Instruction

Step 8

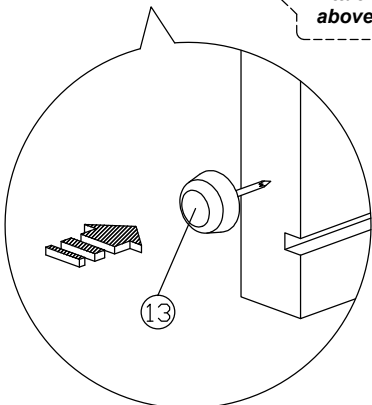


**Assemble side & bottom front cross bar.*

**Assemble top panel (Cushion), secure with Minifix as shown below. (same step with frame assemble).*

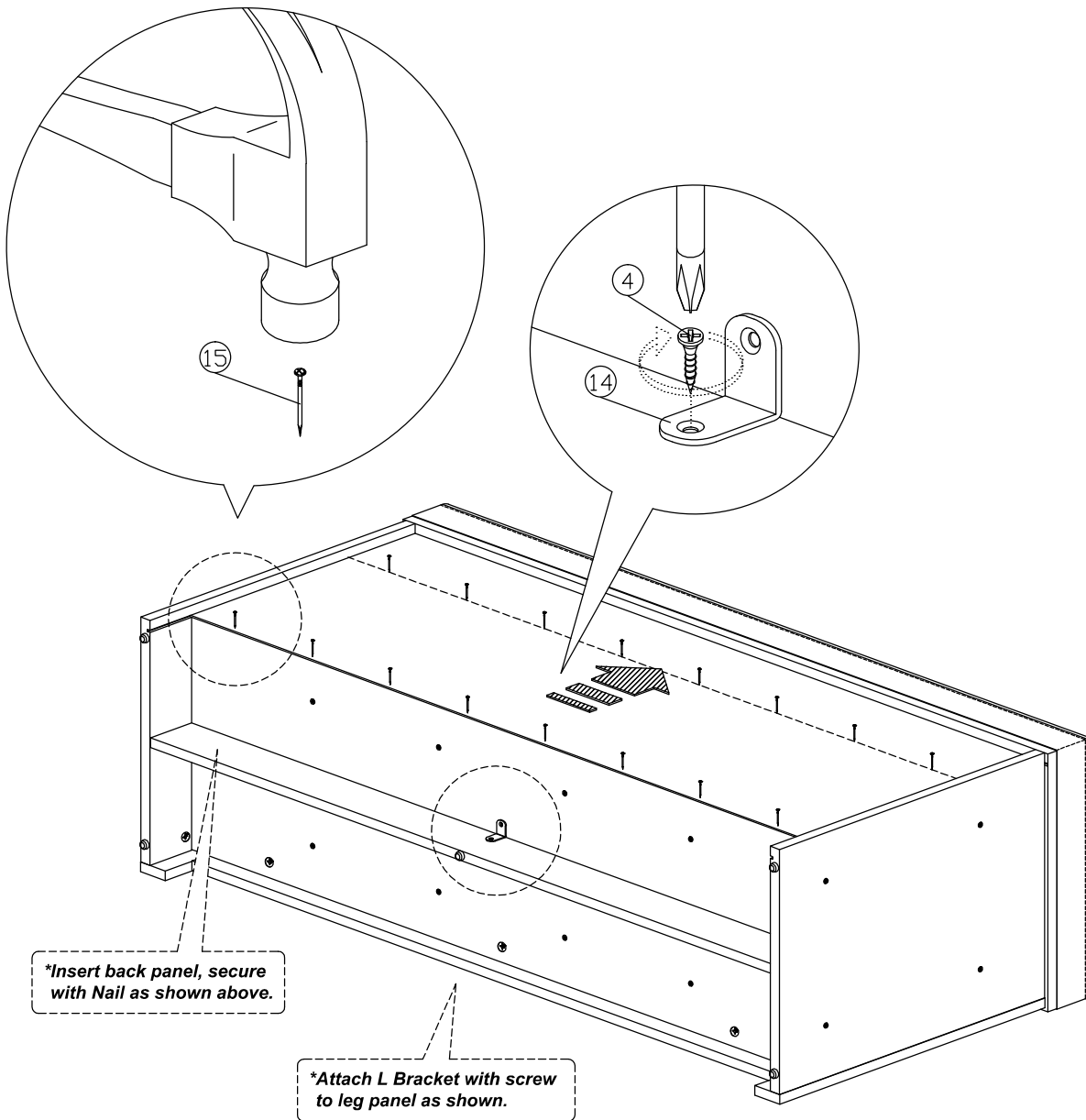


**Attach Nail Leg as shown above. (Star symbol)*

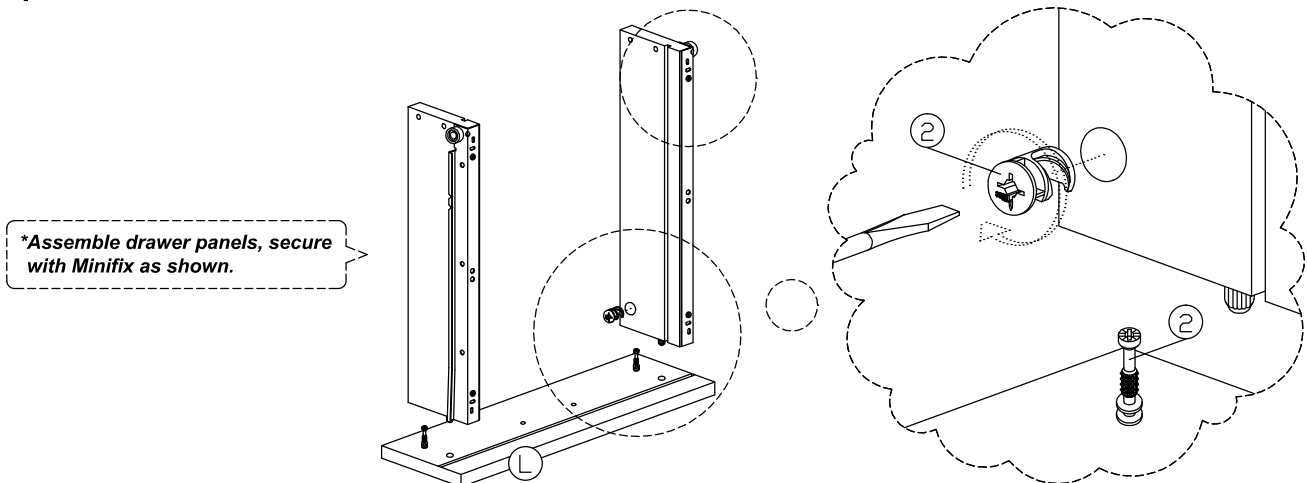


Assembly Instruction

Step 9



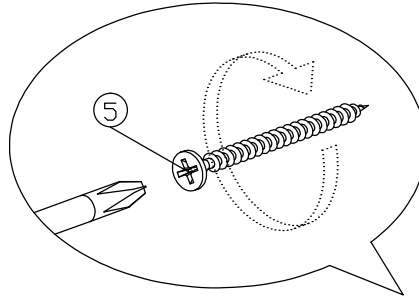
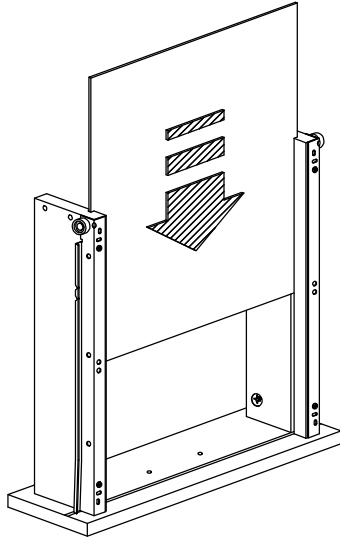
Step 10



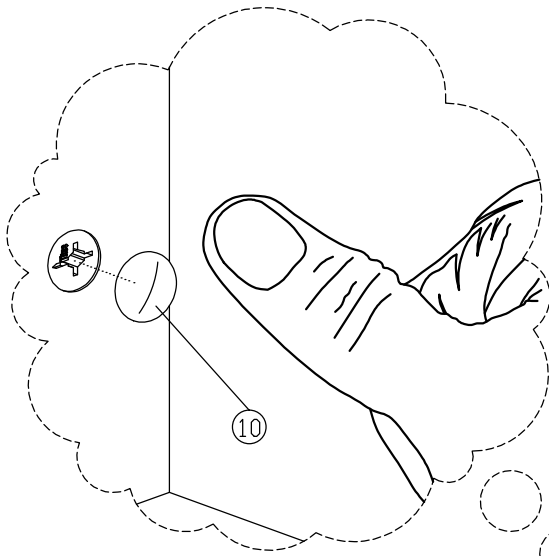
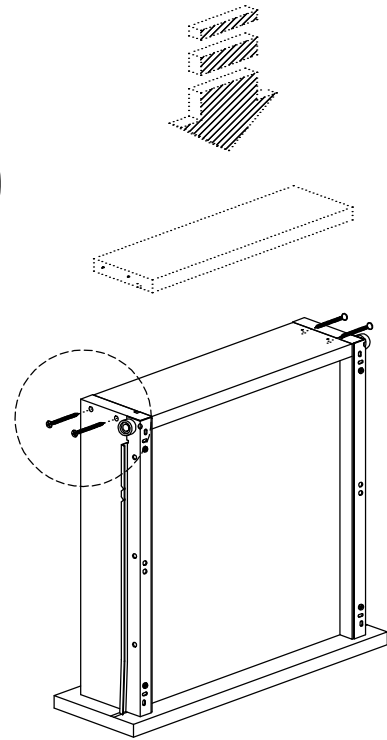
Assembly Instruction

Step 11

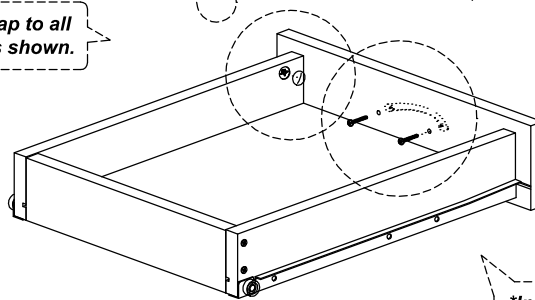
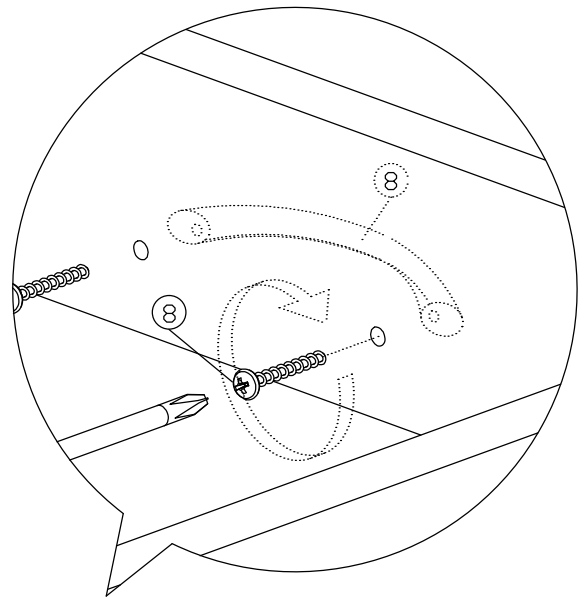
**Insert drawer bottom as shown.*



**Insert drawer back, secure with screw as shown.*



**Attach 6pcs Minifix Cap to all drawer side panels as shown.*



**Install Handle to all drawers with screw as shown.*

Assembly Instruction

Step 12

