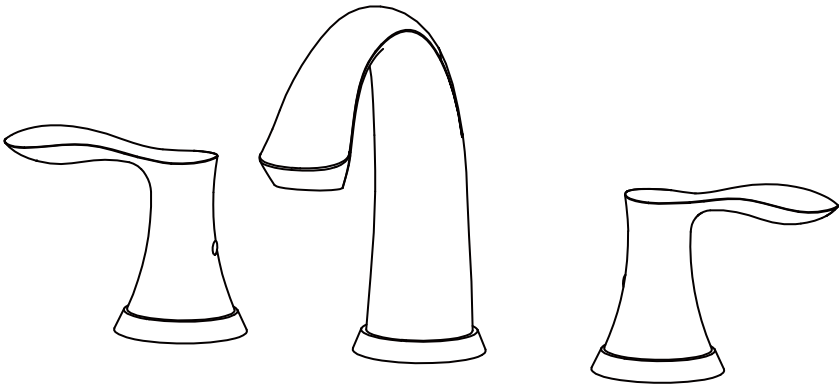




Model No.: BF405

INSTALLATION AND CARE GUIDE WIDE SPREAD LAVATORY FAUCET



Thank You

We recommend our products be installed by a professional.

We appreciate the trust and confidence you have placed in our LAVA ODORO® products. We strive to continuously create quality products designed to enhance your home at an affordable price. Please visit our distributor's website to see our full line of products available for your home improvement needs.

Contact us: www.faucetorsink.com

Email: info@faucetorsink.com

Helpful Tools

Tools:

Gather the necessary tools as shown below to complete the installation of the faucet.



Plumber's Putty



Flashlight



Basin Wrench



Safety Glasses



Screwdriver



Pliers



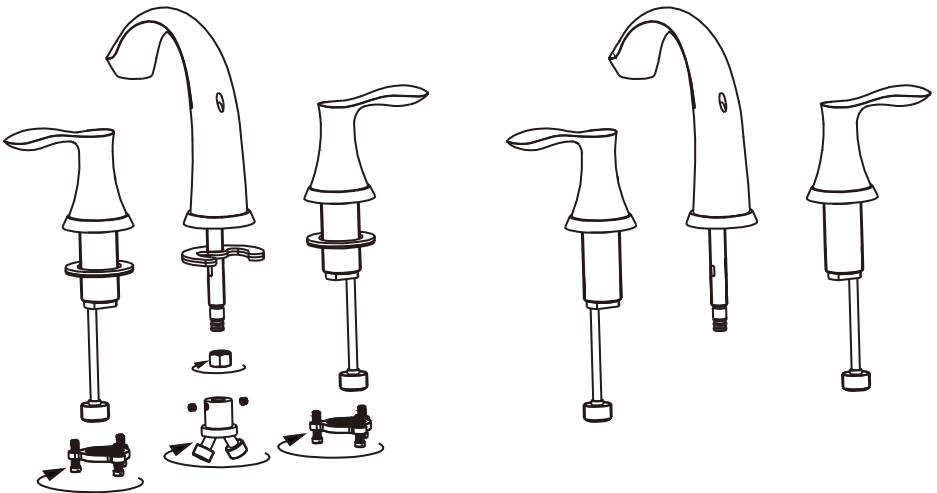
Channel Locks



Adjustable Wrench

Pre-Installation

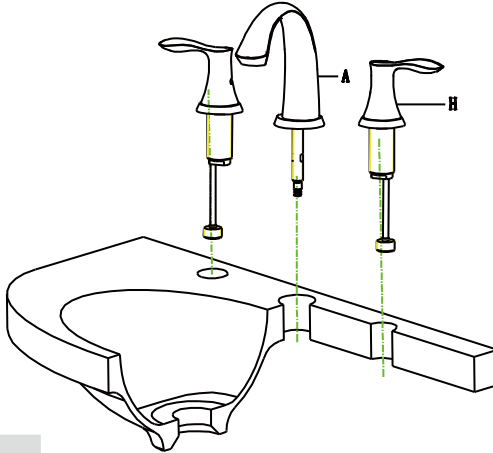
1. CAUTION: Always shut off the water supply before removing/replacing a faucet.
2. Remove the mounting nut, rubber, and metal washer from the bottom (shank) of the faucet as shown in the diagram below.



Installation

Installing the faucet assembly:

3. Insert the faucet body through the precut granite/marble/sink hole. The mounting hardware is installed from under the sink.

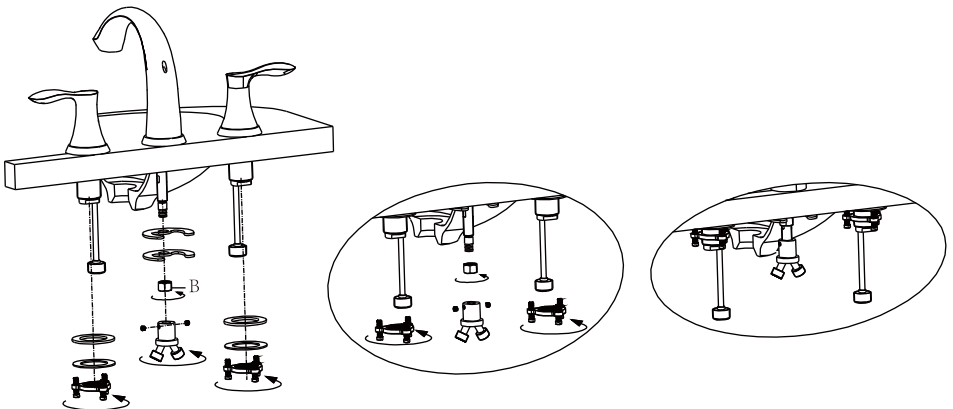


Installation

4: Securing faucet to cutout:

From underneath the sink, secure the faucet assembly to the sink with the mounting nut rubber and metal washer.

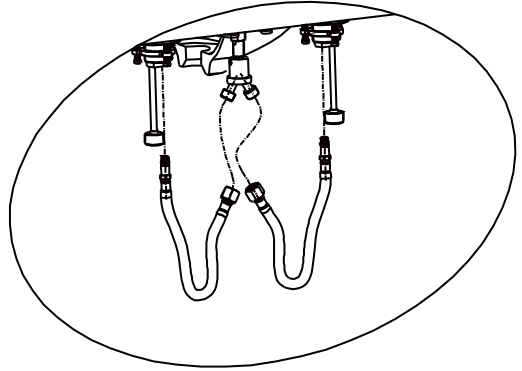
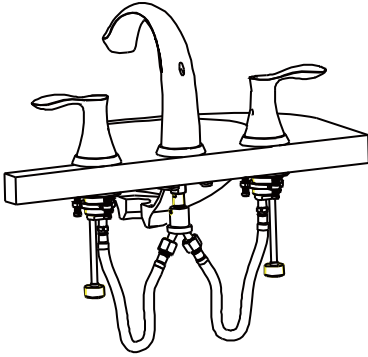
Use a screw driver to tighten the screws on the metal nut.



Installation

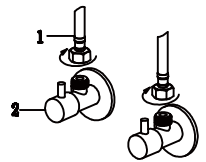
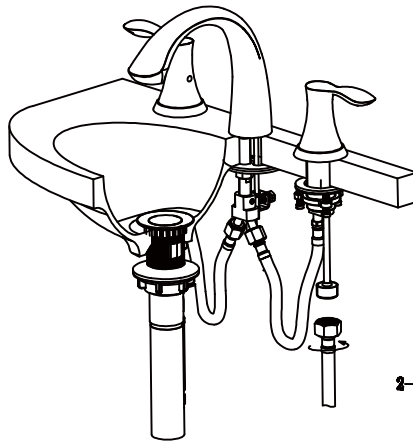
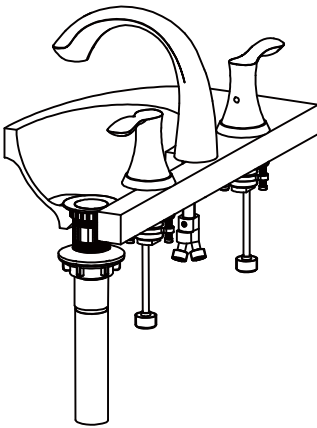
5: Attahching the connect hose

Connect the Hot and Cold Handles to the "Y" Shape Connector at the bottom of the spout with the connect hose.



6: Making the water supply connection

Making the water supply connections. Use 1/2" I.P.S Faucets connections or use supply line coupling nuts(not included)with a 3/8" O.D ball nose riser



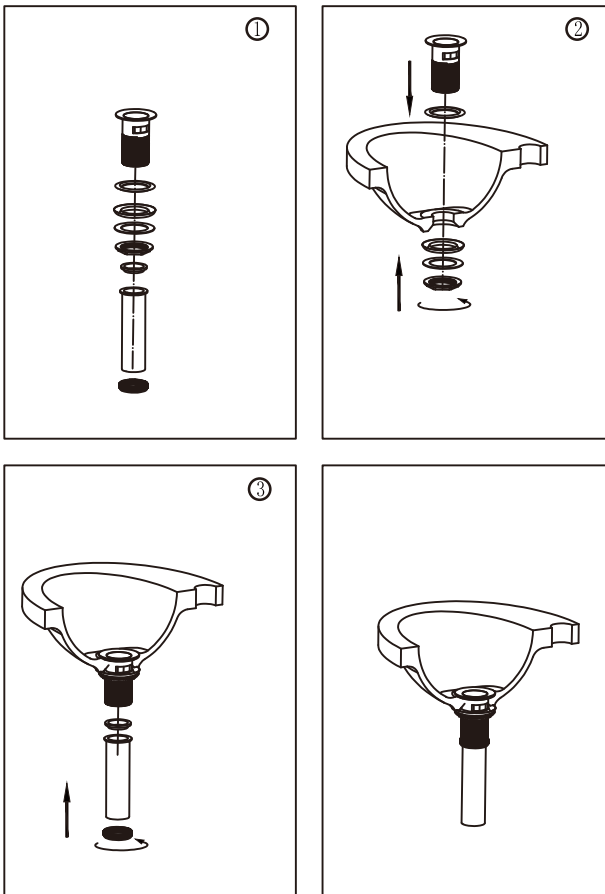
Installation

7: Pop-up Drain Installation

1. Disassemble the Pop-up drain. Remove the lock nut and the bottom rubber washer.

2. Insert the drain body in the drain hole of the sink.

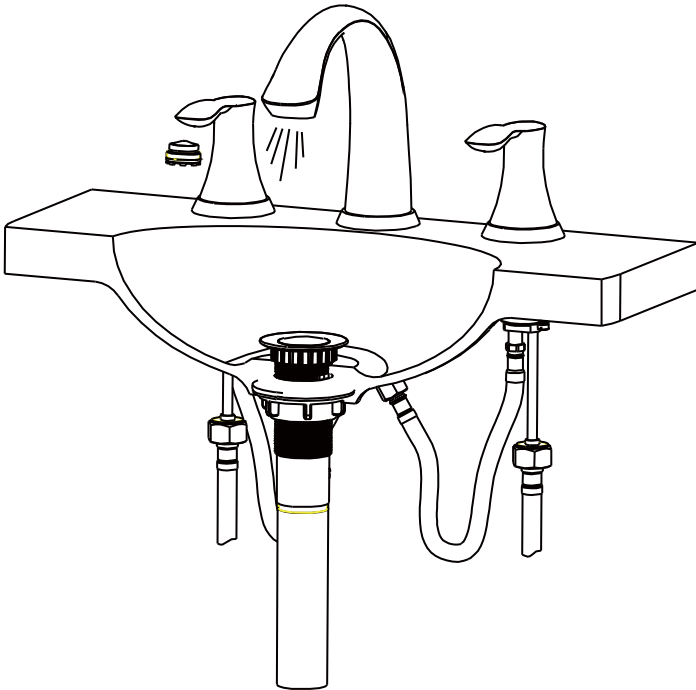
3. Slide bottom rubber washer back on drain body against bottom of sink. Tighten gasket and lock nut firmly against base for tight seal. Connect the drain Pipe to drain body.



Operation

Flushing and checking for leaks:

- A. Turn on the water supply and check that the faucet is operating properly and that no leakage is detected from any of its parts. Also check underneath the sink to ensure all connections are secure and that there are no leaks.
- B. Pull the handle upwards to turn on the water.
- C. Position it to the left for hotter water and to the right for colder water. To turn off the water, push the handle down.



Care and Cleaning:

To clean the faucet, wipe down with a damp cloth and then with a dry towel. DO NOT use abrasive cleaners, steel wool, or harsh chemicals when cleaning the faucet, or the warranty will be voided.



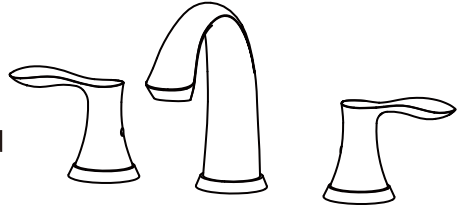
SPECIFICATIONS

Model No.: BF405

Wide Spread Lavatory Faucet

Description

- Wide spread, 3 Hole Installation
- Solid Brass Construction
- 1/4" Turn, Ceramic Disc Cartridge.
- 1/2 Inch NPSM Connection
- Matching Finish Pop-Up Drain Included
- 100% Pressure System Tested



Cartridge

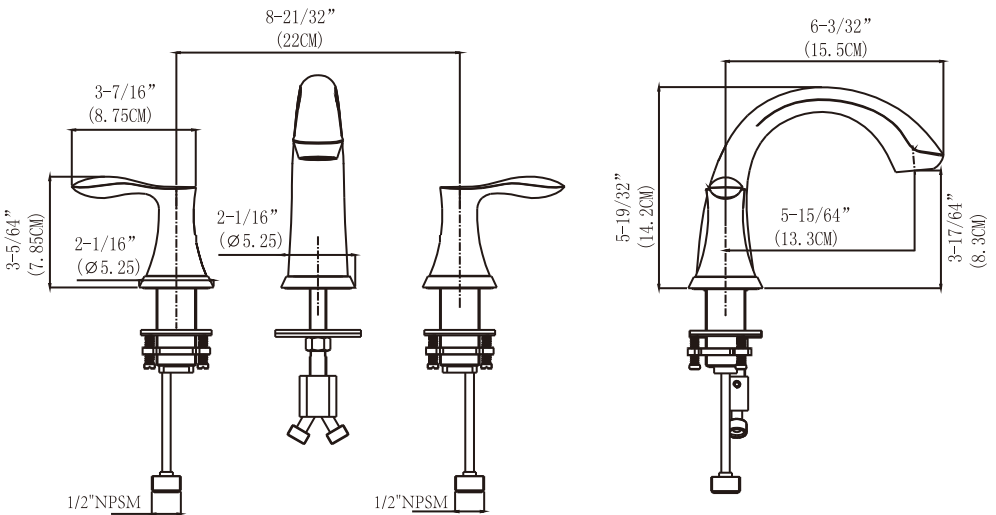
Premium grade ceramic disc cartridge

Standards

 Third party certified IAPMO, ASME112.18.1/CAS B-125-.1cUPC

 Certified to NSF/ANSI 61/9 & 372

 Complies with Federal LeadFreePlumbing Law and code AB1953





To file a warranty claim:

In order to receive replacement parts, please contact your contractor or dealer from whom you purchased the product. If your dealer is not able to provide you with the information, please send all your inquiries to **info@faucetorsink.com**.

Please show the receipt and describe the model name, product color, a complete description of the defect, and from whom the product was purchased.

This Limited Lifetime Liability Warranty is written exclusively for Lava Odoro ® products and the warranty is not transferable.

Welcome to share your bathroom faucets via
[https://www.facebook.com/
Lava-Odoro-101383718985002](https://www.facebook.com/Lava-Odoro-101383718985002)