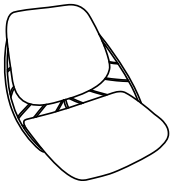
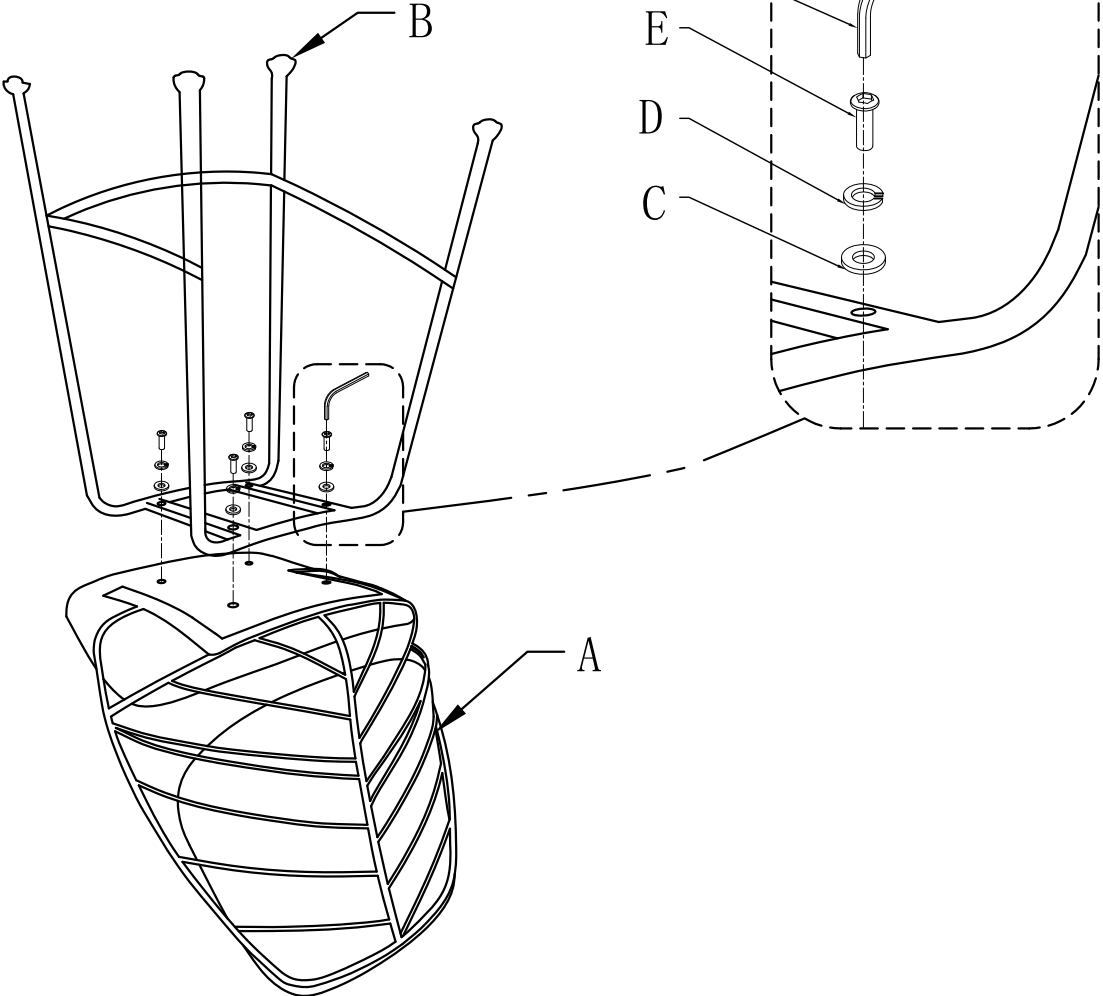
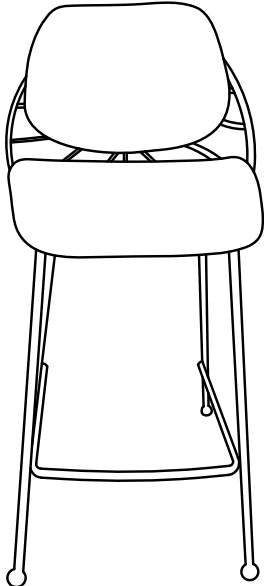
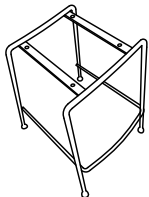


PLEASE NOTE: Check that you have received all components and hardware before assembling.

Assembly Instructions Bar Stool



A (1 pc)



B (1 pc)



C (4 pcs)



D (4 pcs)



E (4 pcs)
M6 x 20mm



F (1 pc)
4mm

During assembly, hand tighten screws only. When the screws are in place, tighten completely.