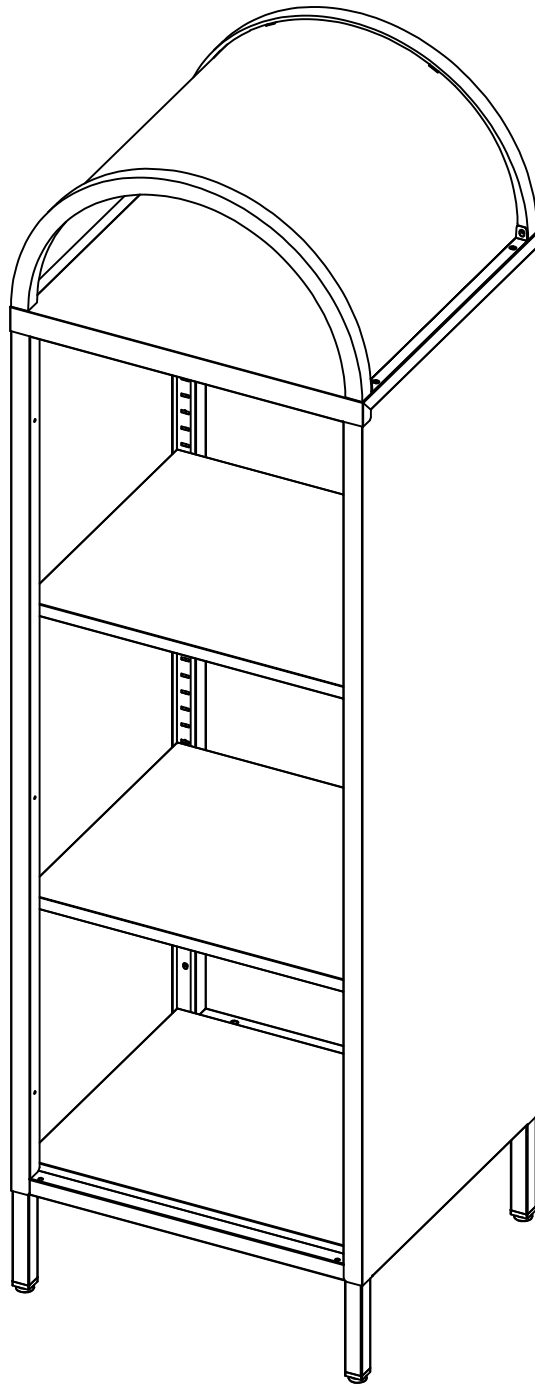
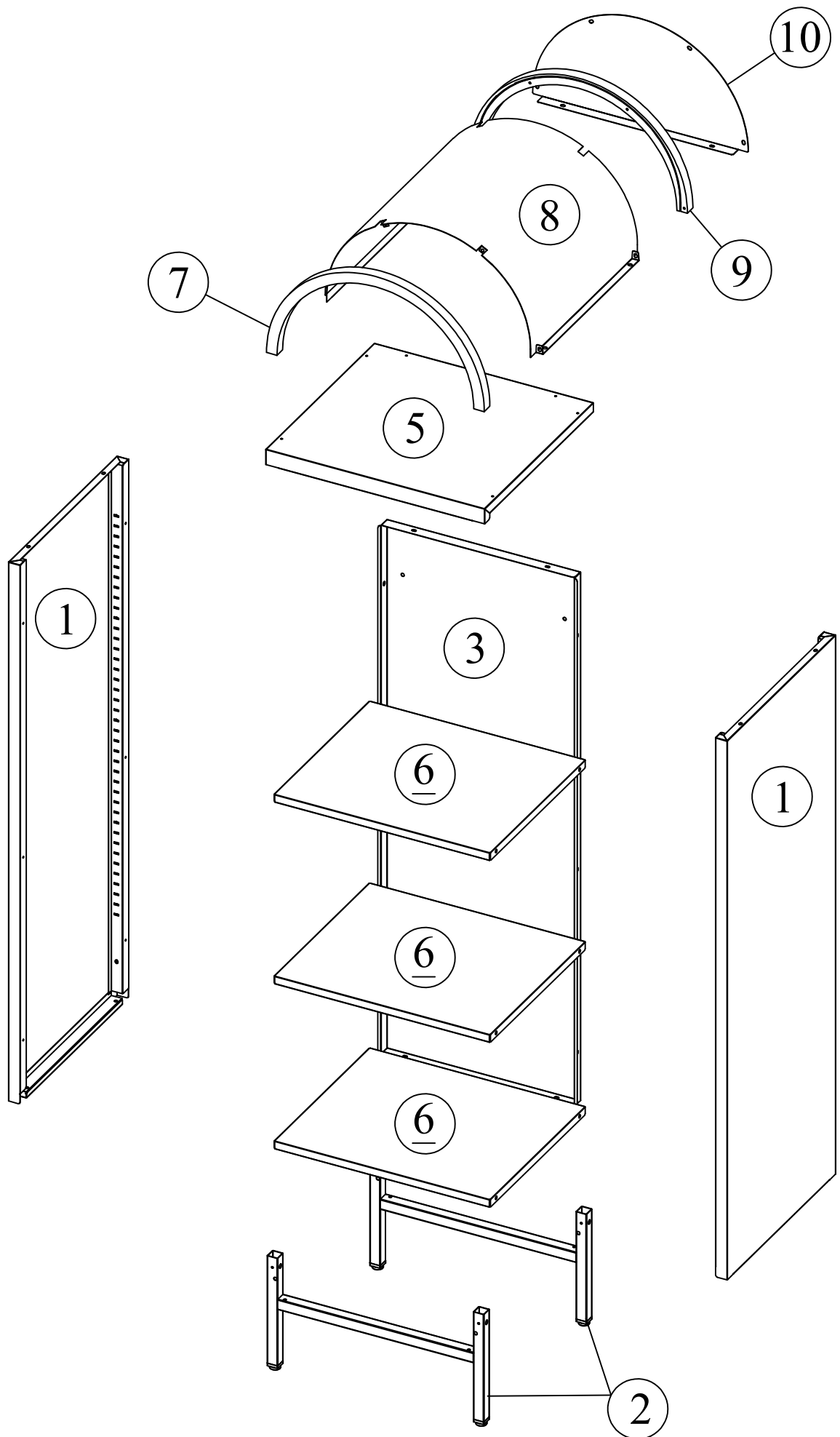
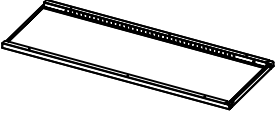
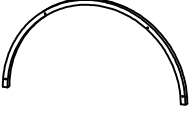

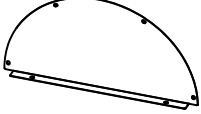
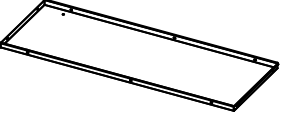

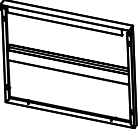

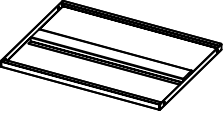
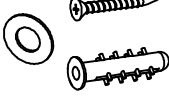

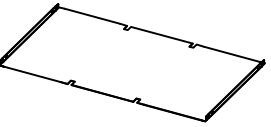


# Assembly Instructions





# Accessories

Name		Picture	Qty	Name		Picture	Qty
1	Side panel		2	9	Dome back tube		1
2	Kick plate		2	10	Dome back panel		1
3	Back panel		1	A	13/32 Screw		34
5	Top panel		1	D	Shelf clasp		8
6	Shelf		3	I	Expansion screw		2
7	Dome front tube		1				
8	Dome panel		1				



CAUTION

An assistant is required.

**CUSTOMER FIRST, SERVICE FOREMOST!**

Questions? Issues?

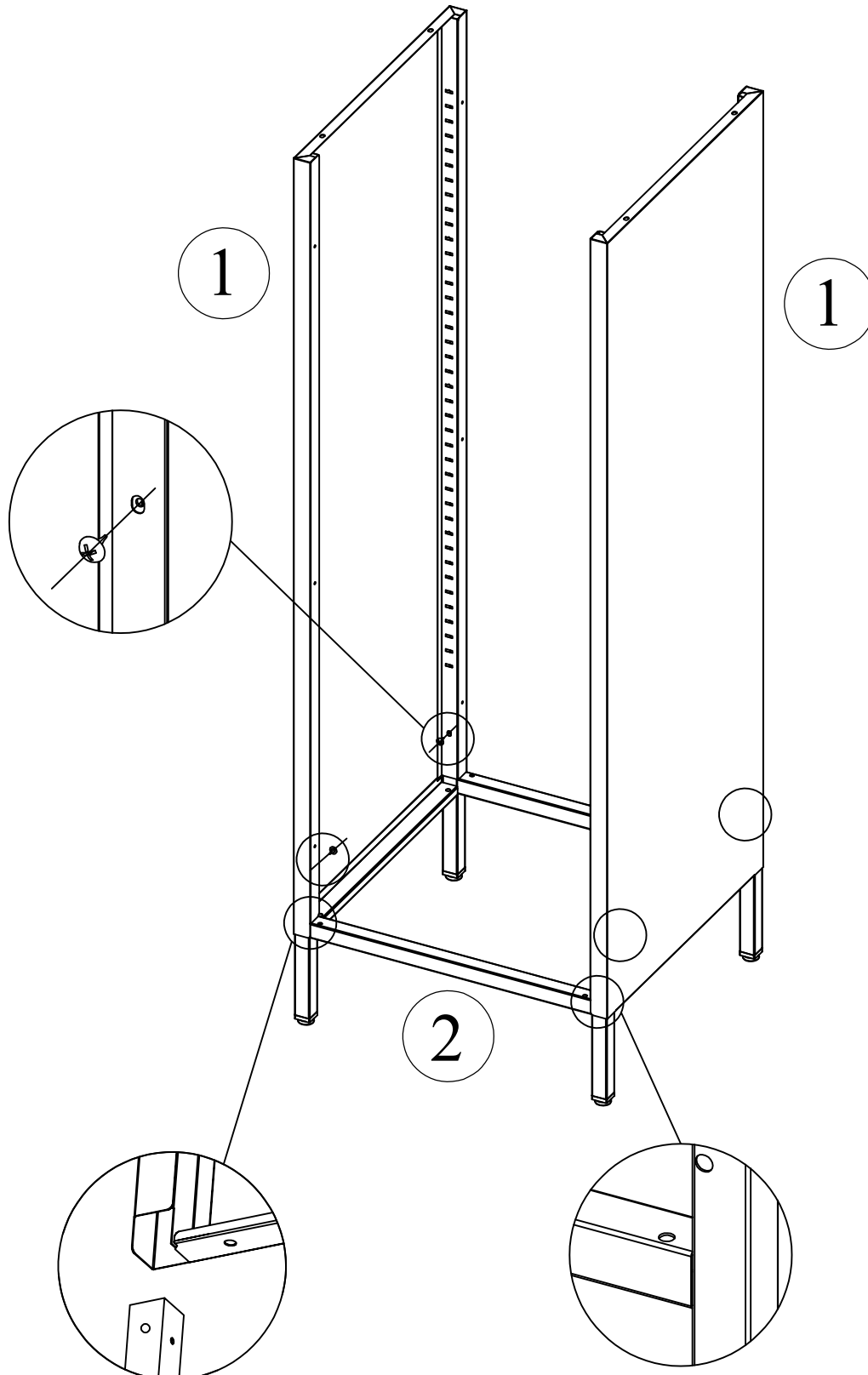
**CONTACT US**

REPLY WITHIN 24 HOURS IN BUSINESS DAYS

# Step 1

Insert side panels 1 into kick plates 2 and fix them with screws A

(A)  × 4

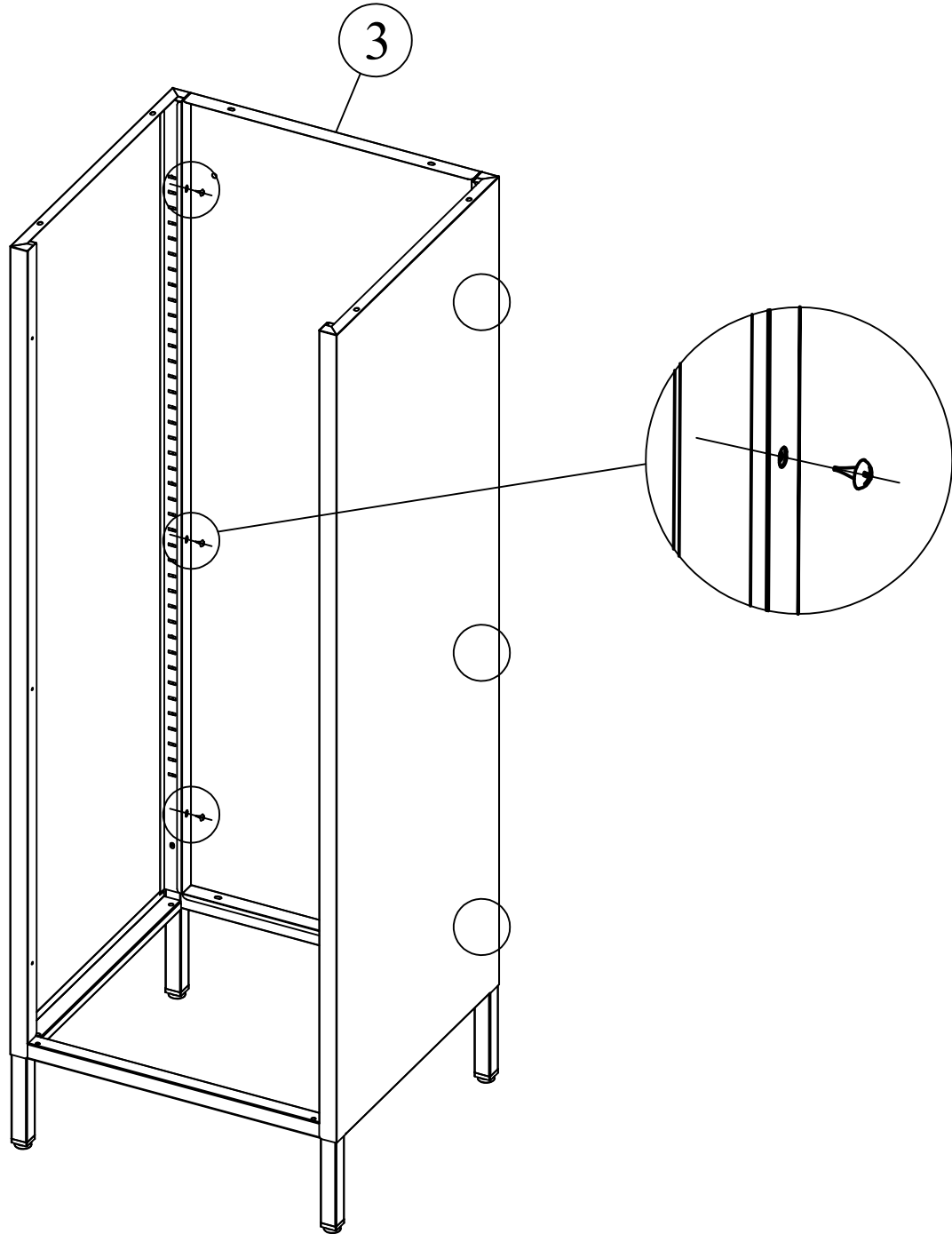


The door shaft hole is in the front

# Step 2

Connect back panel 3 with side panels 1 by screws A

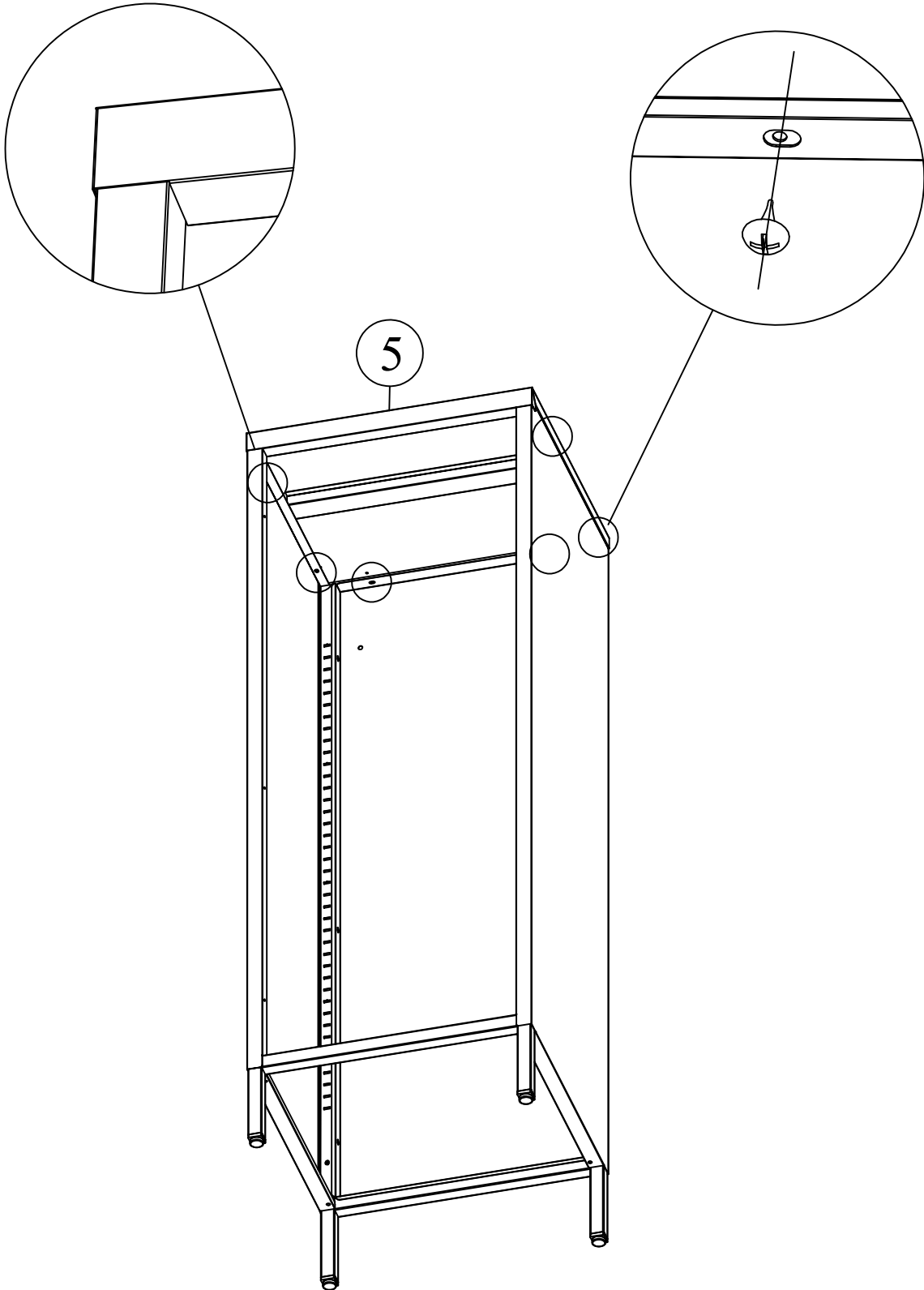
Ⓐ  × 6



# Step 3

Connect top panel 5 with back panel and side panels by screws A

Ⓐ  × 6

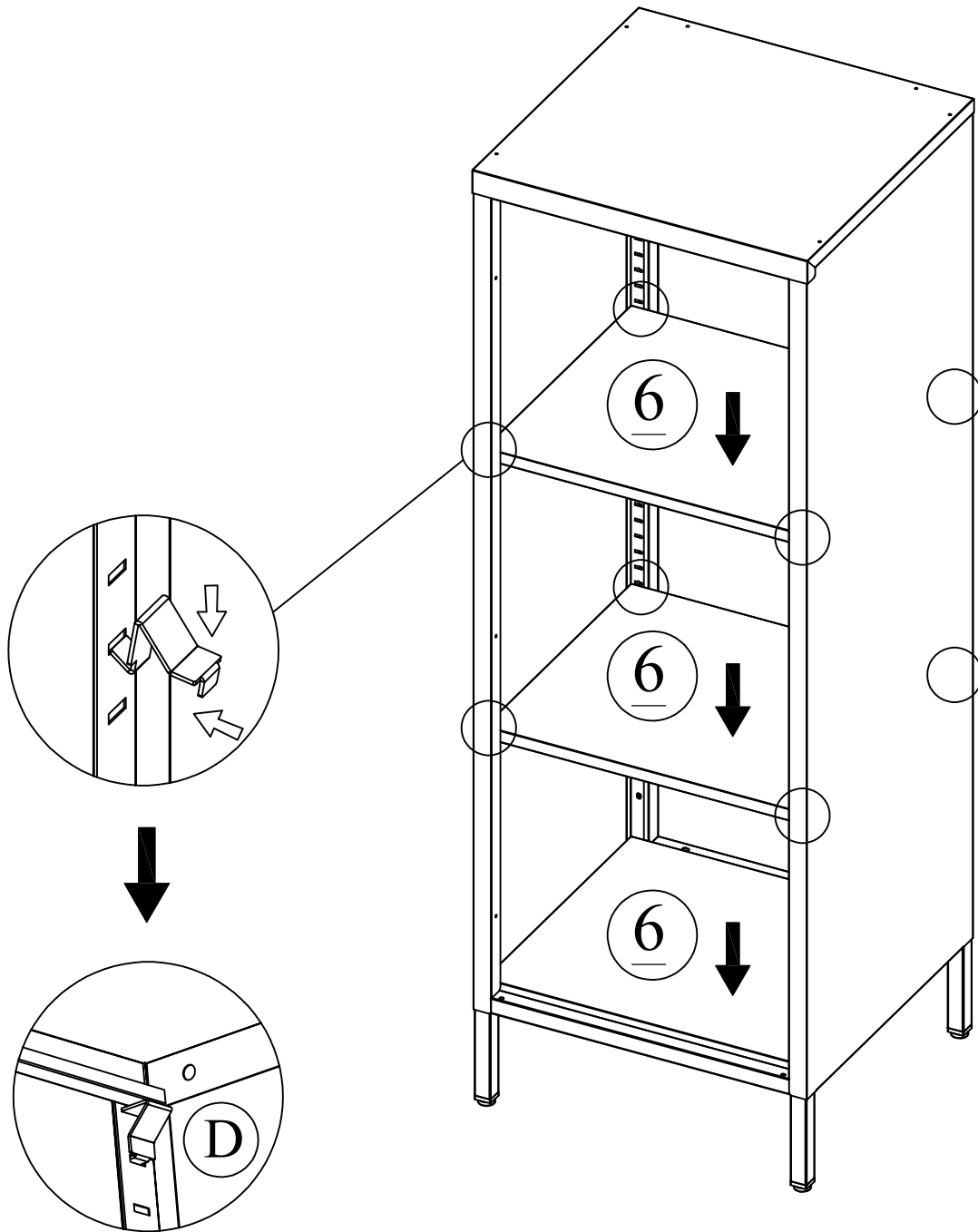


# Step 4

Install the shelf clasps D and put the shelves 6 on them

ⓓ  × 8

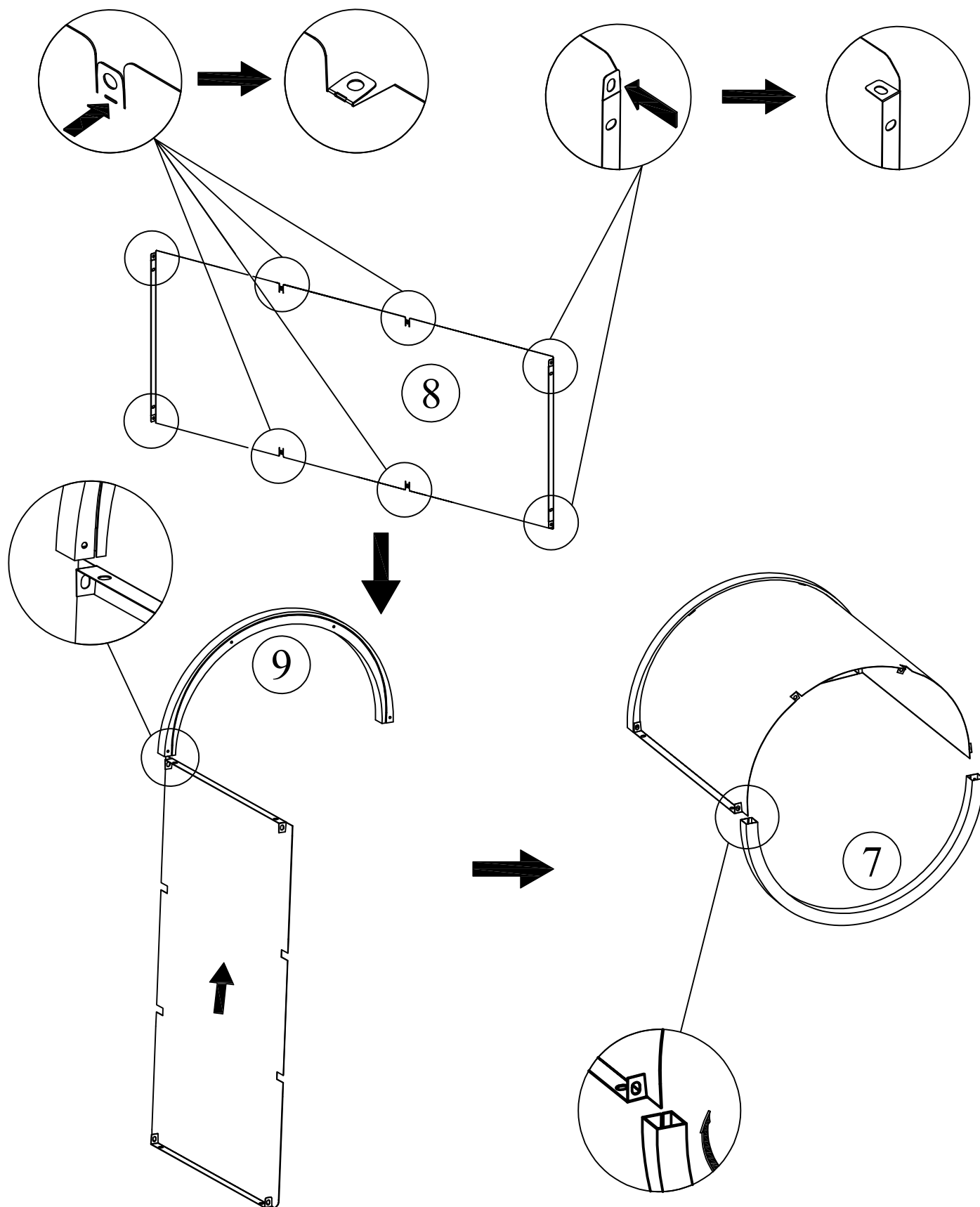
Tilt the bottom shelf 6 into the cabinet and press it down to snugly fit against the kick plates (No screws and shelf clasps are needed )



# Step 5

Fold all the small parts on dome panel 8 towards the middle for 90 degree

Insert dome panel 8 into dome back tube 9 and dome front tube 7

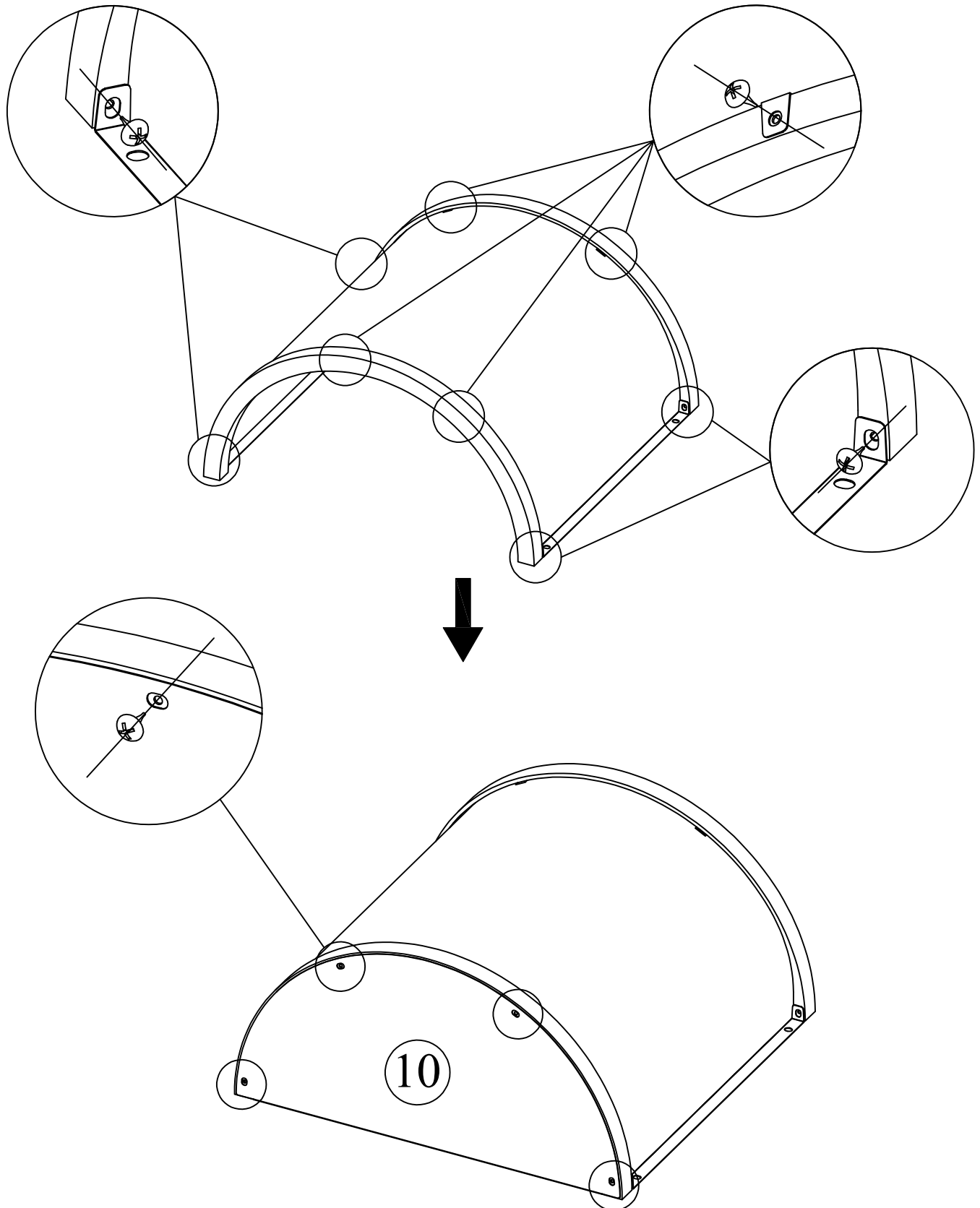


# Step 6

Fix the dome panels and tubes with 8 screws  
A in the middle and ends

Ⓐ  × 12

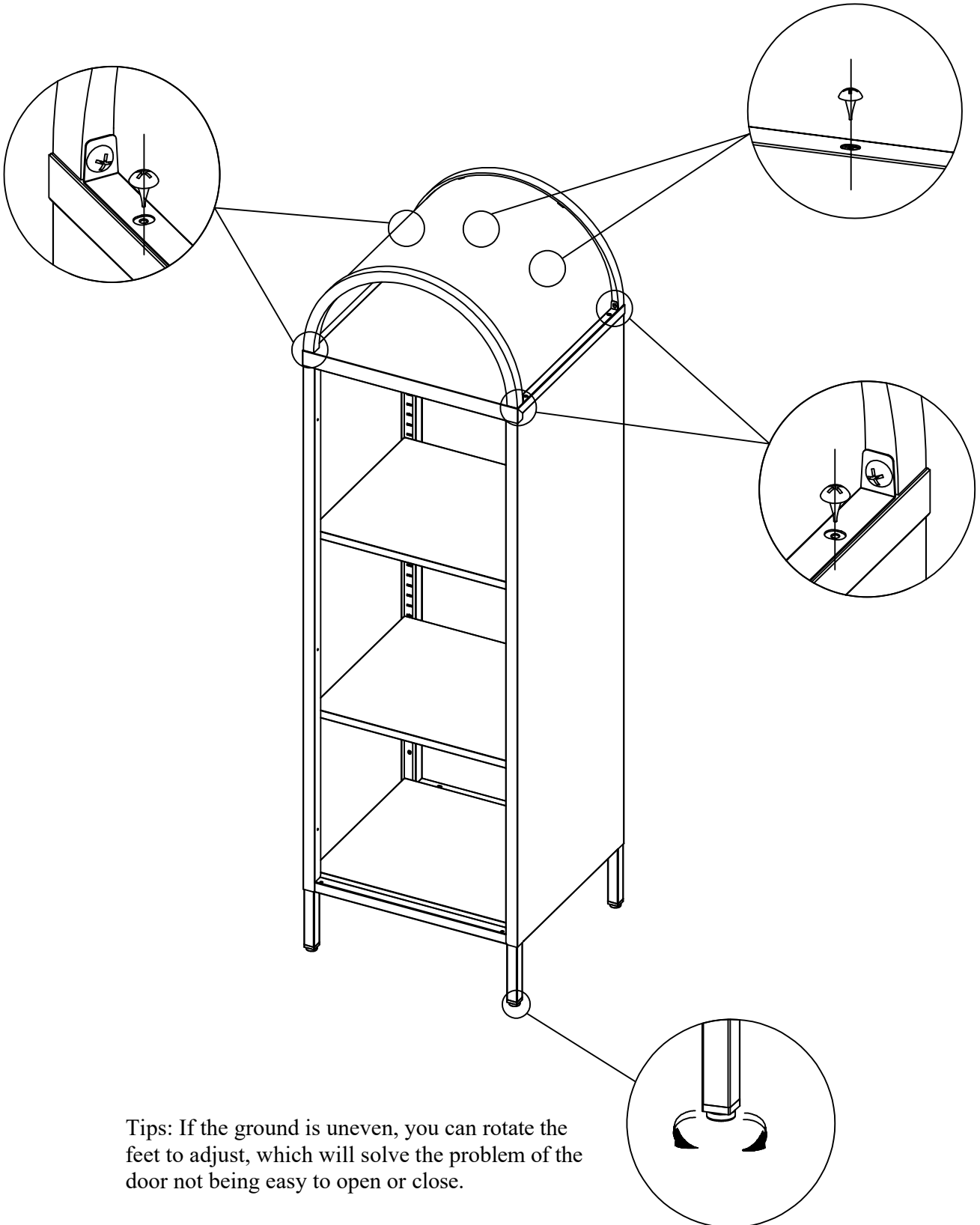
Fix the dome back panel 10 with 4 screws A



# Step 7

Fix the dome on the top of the cabinet with screws A, then adjust the feet of the cabinet as your needs

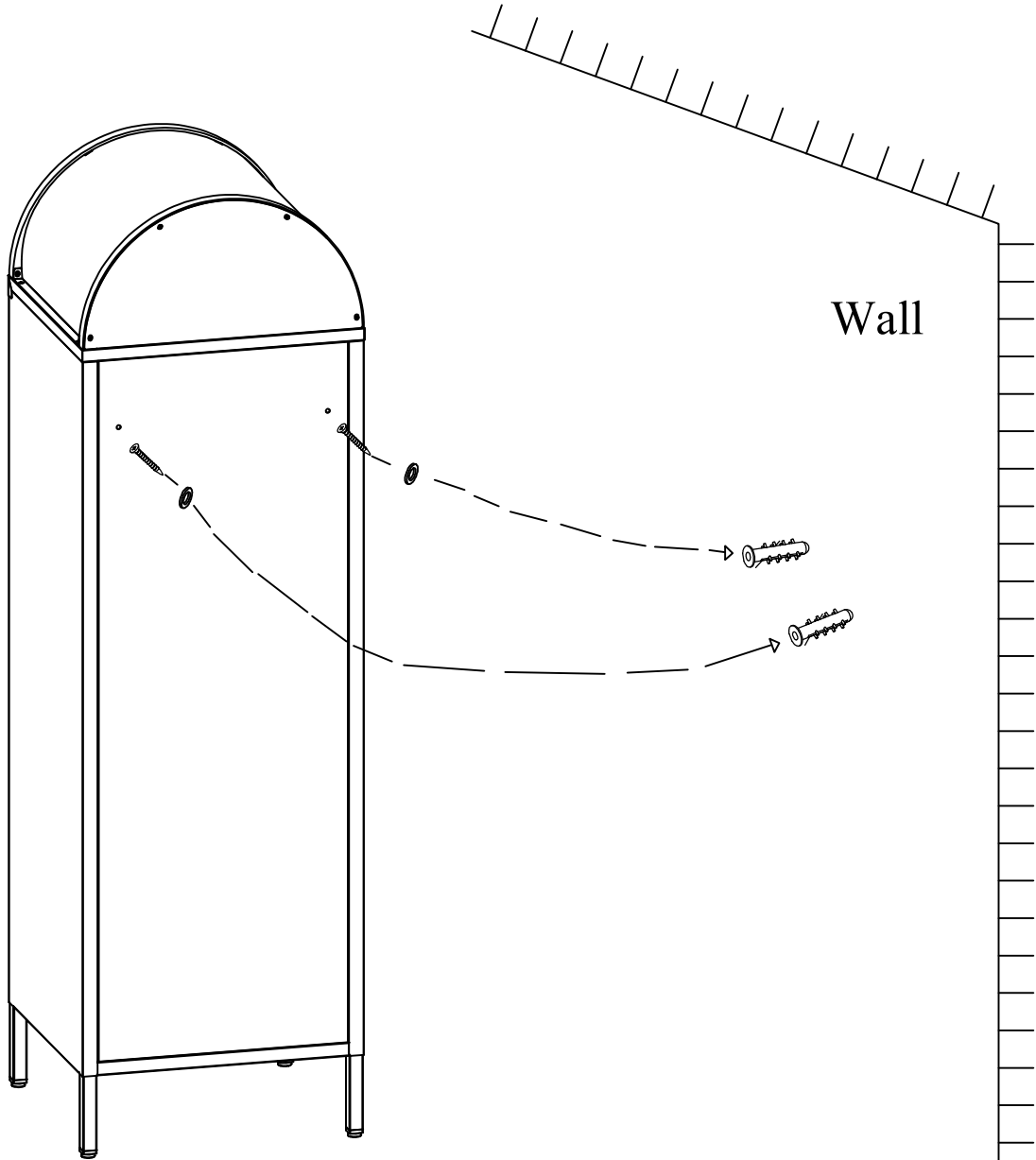
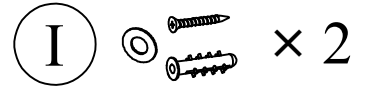
Ⓐ  × 6



Tips: If the ground is uneven, you can rotate the feet to adjust, which will solve the problem of the door not being easy to open or close.

# Step 8

Fix the cabinet to the wall with screws  
I to prevent tipping



 **DANGER**



**Always secure this furniture with an anchor device.**

Unsecured furniture can cause serious injury or death to children.

Never allow children to stand, climb or hang on drawers, doors or shelves.

Never open more than one drawer or door at a time.

Place the heavy items on the lower position.

Never place a television on this furniture.

**This is a permanent label. Do not remove!**