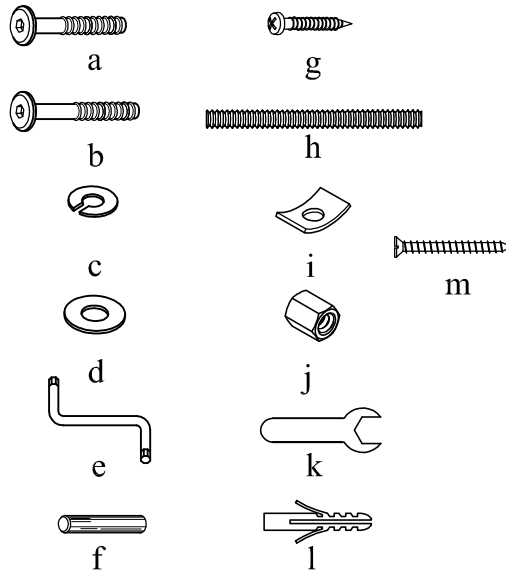


Assembly Instruction

A . Components :

- 1. Headboard Panel 1 x
- 2. Footboard Panel 1 x
- 3. HB Right Leg 1 x
- 4. HB Left Leg 1 x
- 5. Stretcher 1 x
- 6. Bed Rail 2 x
- 7. Slat 4 x
- 8. Slat Support 8 x
- 9. Upper Back Support 1 x
- 10. Lower Back Support 1 x

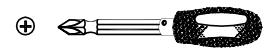


B . Hardware :

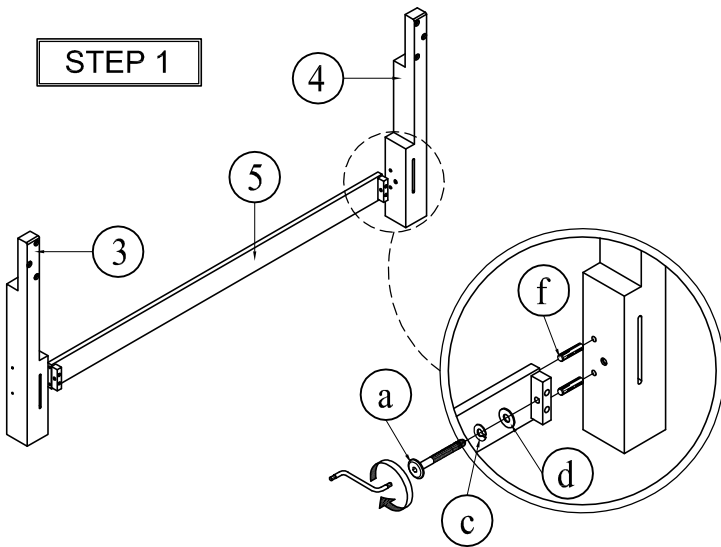
- a. Allen Bolt Short 5 x
- b. Allen Bolt Long 6 x
- c. Lock Washer 11 x
- d. Flat Washer 11 x
- e. Allen Key 1 x
- f. Dowel 4 x
- g. Screw JP 8 x
- h. Stud Bolt 8 x
- i. Square Washer 8 x
- j. Hex Nut 8 x
- k. Wrench 1 x
- l. Fischer 4 x
- m. Screw JF 4 x

C . Tool Required :

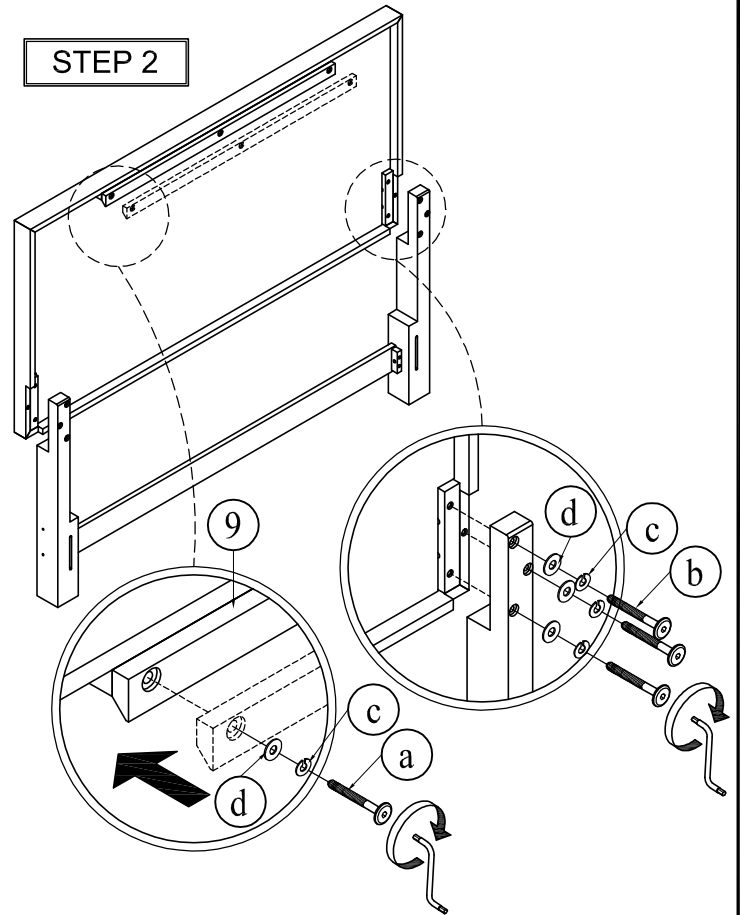
- 1. Screw Driver = (not included)



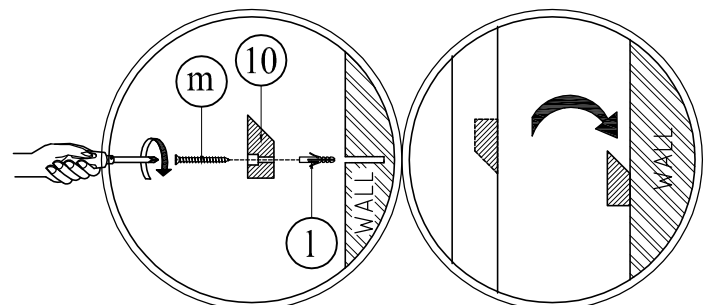
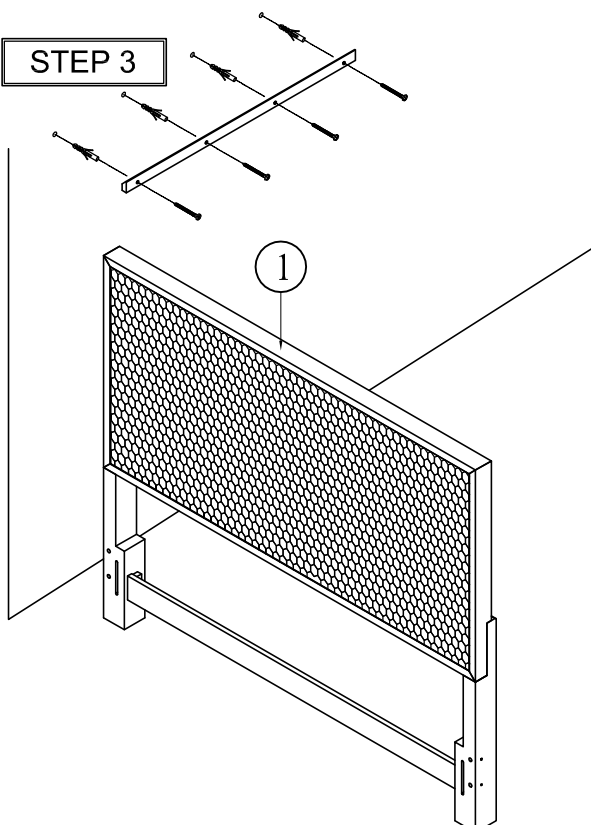
STEP 1



STEP 2



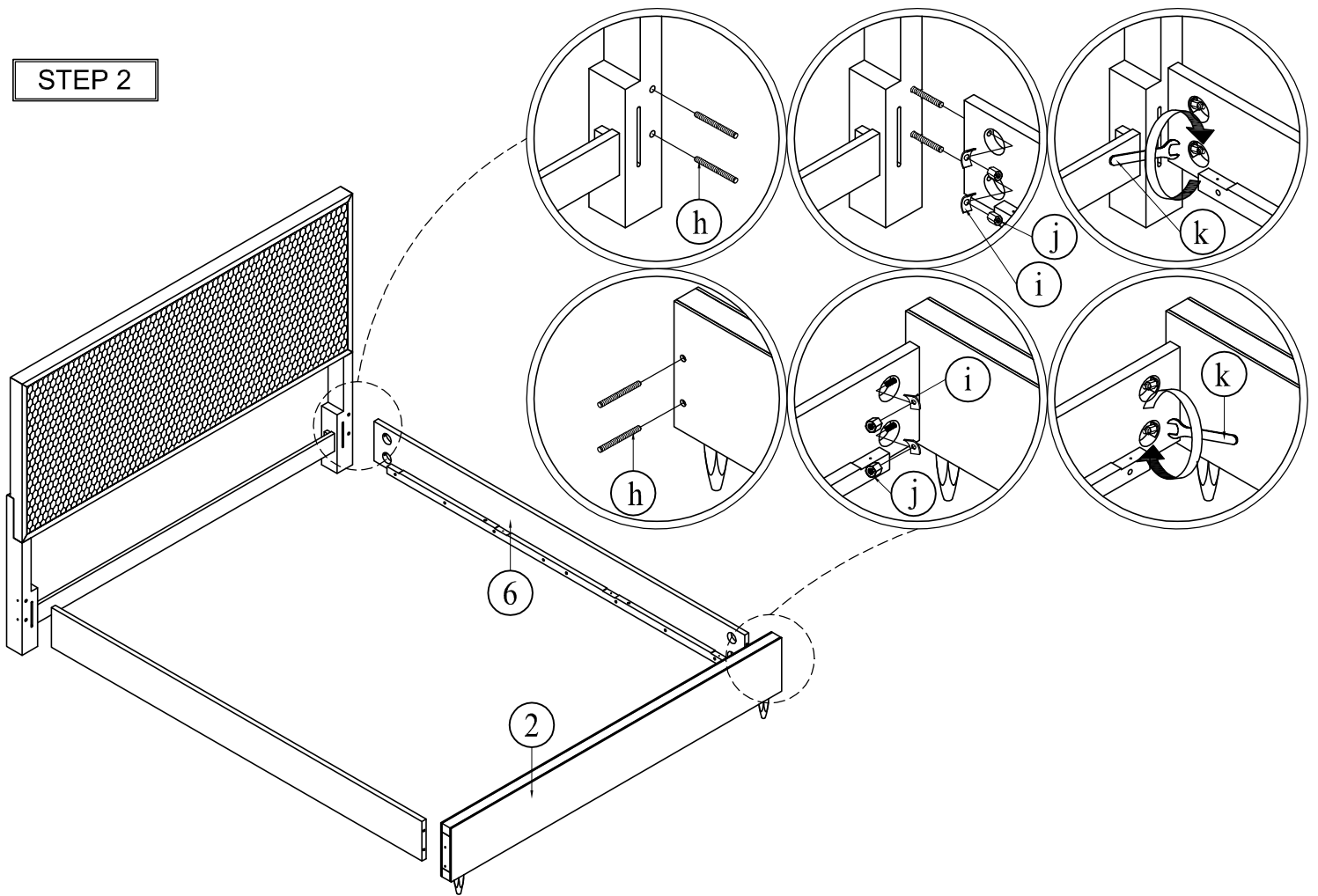
STEP 3



CAL.KG HEADBOARD / EAST.KG HEADBOARD
CAL.KG FOOTBOARD / EAST.KG FOOTBOARD
CAL.KG RAILS / EAST.KG RAILS

6400 SERIES

STEP 2



STEP 3

