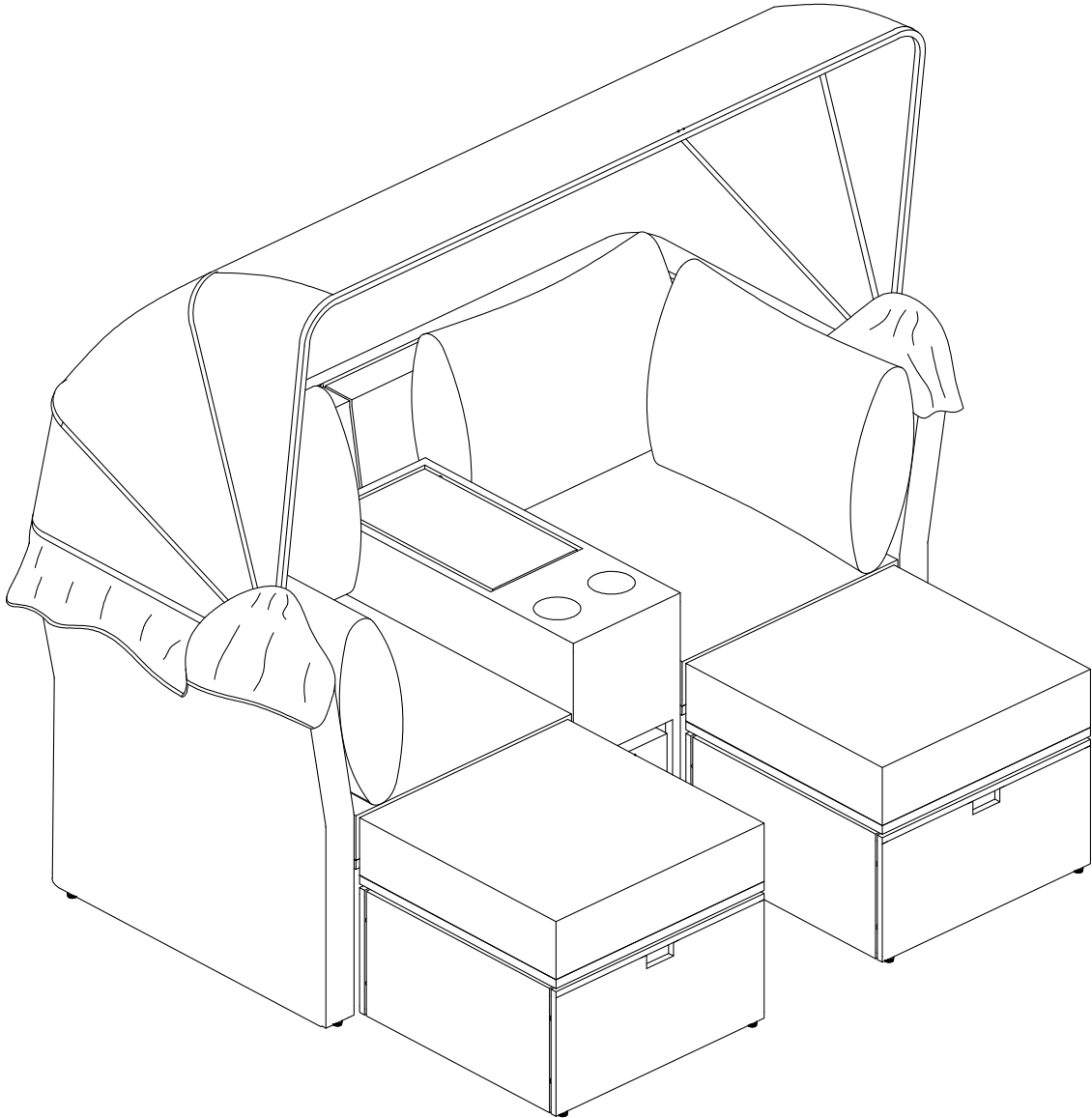


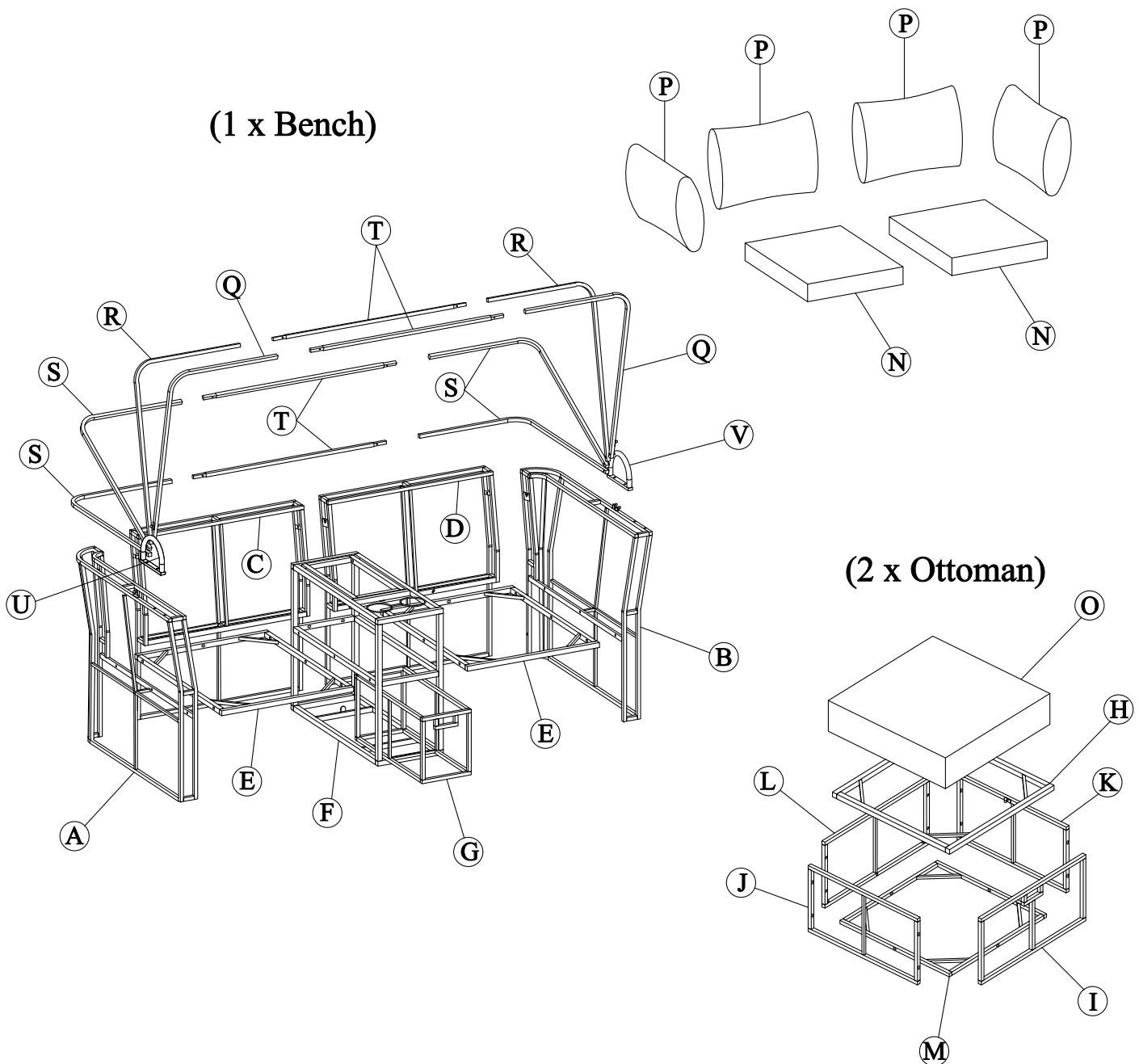
ASSEMBLY INSTRUCTIONS

2-SEATER DAYBED WITH CANOPY



NOTE: 50% TIGHTEN BEFORE FIXING ALL BOLTS

Note, if you find any problems with the product, including rattan slack, breakage, assembly difficulties, etc, you can consult us for solutions.

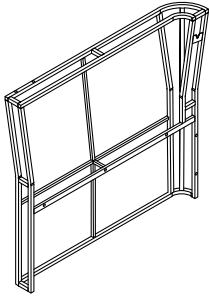


Notice:

1. 50% Tighten before fixing all screws, Allen wrench is recommended instead of an electric drill.
2. Place the item on a flat ground to adjust and make sure it remains stable
3. Tighten up all screws with tools gradually.
4. If the screws are not aligned with holes during assembly, please loosen all the other screws to 50% and continue the assembly process.
5. If the item is not stable, please loosen all the screws, adjust it on a flat ground and tighten up all screws again.
6. Note : If one or some screws are fully tightened during assembly, chances are the others will not be aligned with holes. In addition, all the holes are designed to be relatively larger to provide more space for the adjustment of the screws.

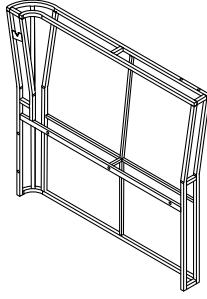
Part List

A



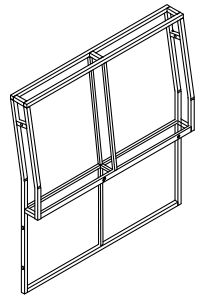
Right Frame (1 pc)

B



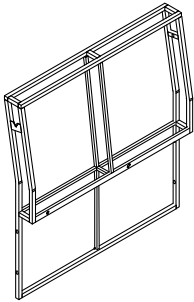
Left Frame (1 pc)

C



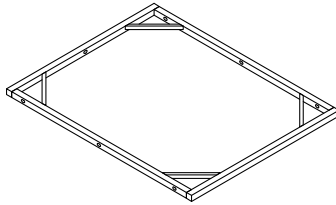
Back Right Frame (1 pc)

D



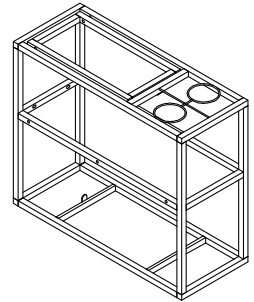
Back Left Frame (1 pc)

E



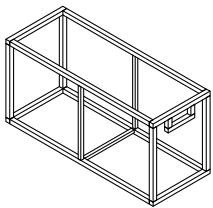
Seat Frame (2 pcs)

F



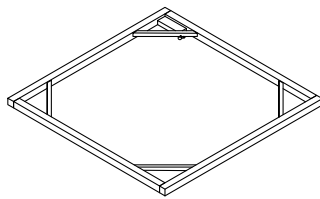
Center Console (1 pc)

G



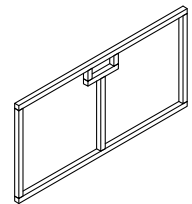
Tray (1 pc)

H



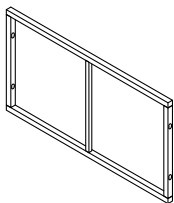
Ottoman Seat Frame (2 pcs)

I



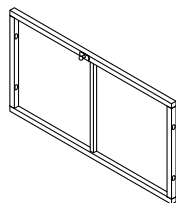
Ottoman Front Frame (2 pcs)

J



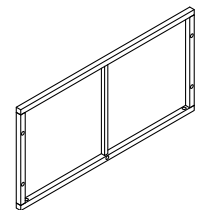
Ottoman Right Frame (2 pcs)

K



Ottoman Left Frame (2 pcs)

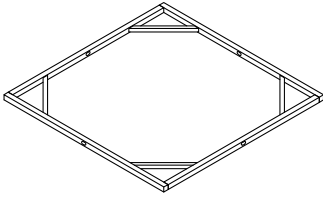
L



Ottoman Back Frame (2 pcs)

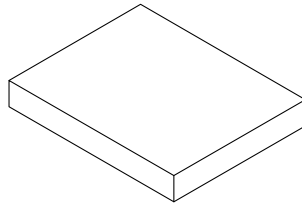
Part List

M



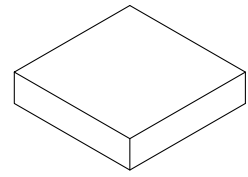
Ottoman Self Frame (2 pcs)

N



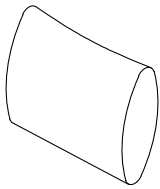
Seat Cushion (2 pcs)

O



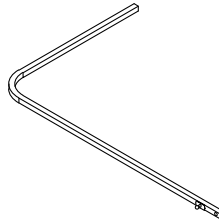
Ottoman Cushion (2 pcs)

P



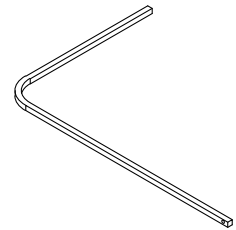
Pillow (4 pcs)

Q



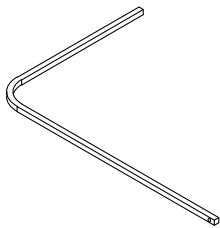
Canopy Frame Q (2 pcs)

R



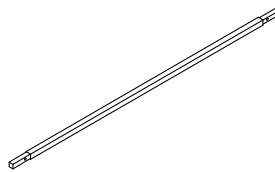
Canopy Frame R (2 pcs)

S



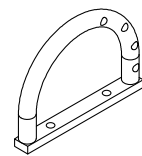
Canopy Frame S (4 pcs)

T



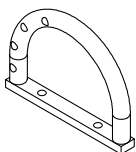
Canopy Frame T (4 pcs)

U



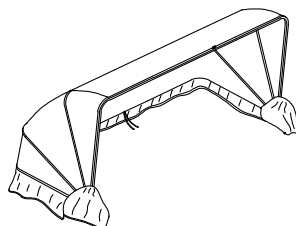
Arm Right Frame (1 pc)

V



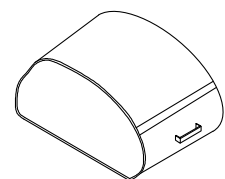
Arm Left Frame (1 pc)

W



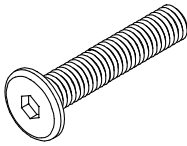
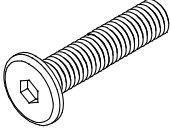
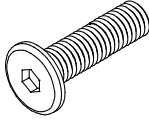
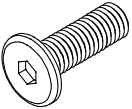
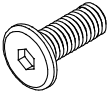

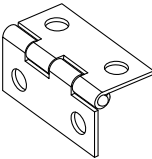
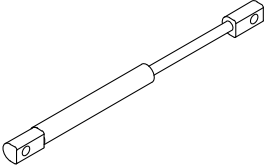
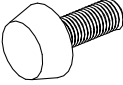
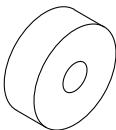

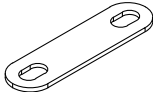
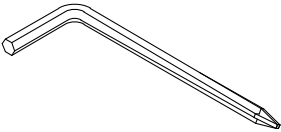
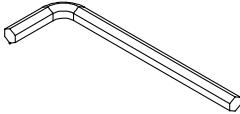
Waterproof canopy (1 pc)

X



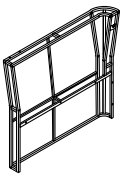
Cover Cushion (2 pcs)

Hardware List

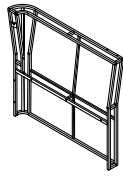
<p>1</p>  <p>Bolt M6 x 40 mm 16 pcs + extra 2 pcs</p>	<p>2</p>  <p>Bolt M6 x 35 mm 14 pcs + extra 2 pcs</p>	<p>3</p>  <p>Bolt M6 x 30 mm 24 pcs + extra 2 pcs</p>
<p>4</p>  <p>Bolt M6 x 25 mm 4 pcs + extra 1 pc</p>	<p>5</p>  <p>Bolt M6 x 15 mm 17 pcs + extra 2 pcs</p>	<p>6</p>  <p>M6 x 1 mm Washers 75 pcs + extra 3 pcs</p>
<p>7</p>  <p>Hinger (4 pcs)</p>	<p>8</p>  <p>Gas Bar (4 pcs)</p>	<p>9</p>  <p>Feet cap M6 x 15 mm 20 pcs + extra 2 pcs</p>
<p>10</p>  <p>M6 x 16 x 5 mm Washers 8 pcs + extra 1 pc</p>	<p>11</p>  <p>Screw 8 pcs + extra 1 pc</p>	<p>12</p>  <p>Keeper Plate (1 pc)</p>
<p>13</p>  <p>Allen key M4 (1 pc)</p>	<p>14</p>  <p>Allen key M4 (2 pcs)</p>	

CARTON CONTENT:

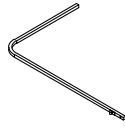
WF316581



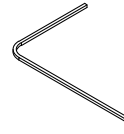
A x 1



B x 1



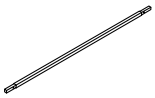
Q x 2



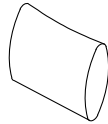
R x 2



S x 4



T x 4



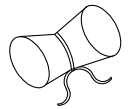
P x 2



U x 1

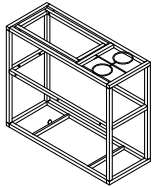


V x 1

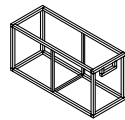


HARDWARE

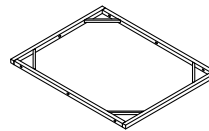
WF316582



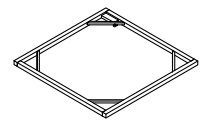
F x 1



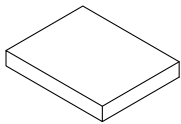
G x 1



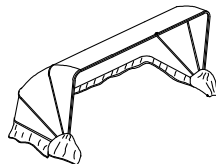
E x 2



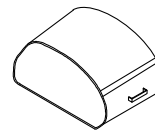
H x 2



N x 2

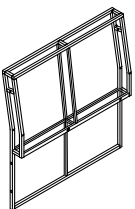


W x 1

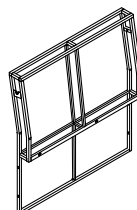


X x 2

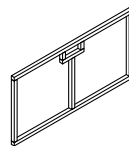
WF316583



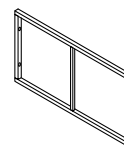
C x 1



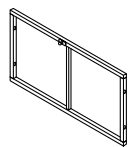
D x 1



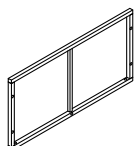
I x 2



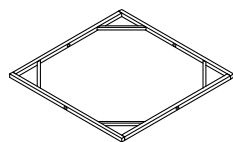
J x 2



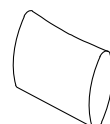
K x 2



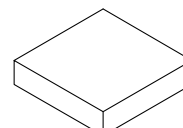
L x 2



M x 2



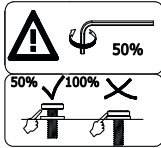
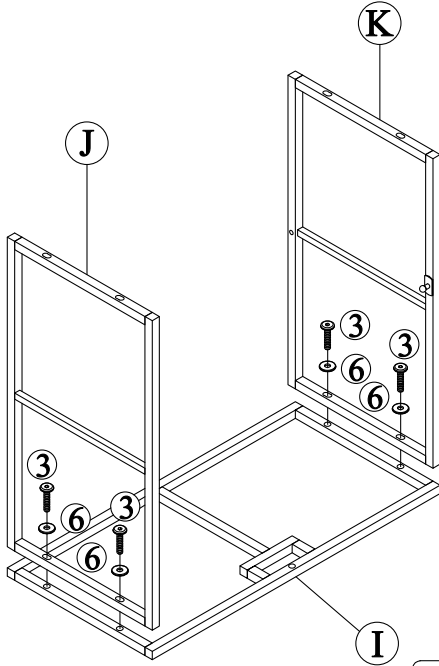
P x 2



O x 2

STEP 1

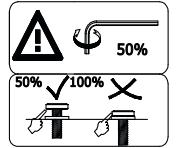
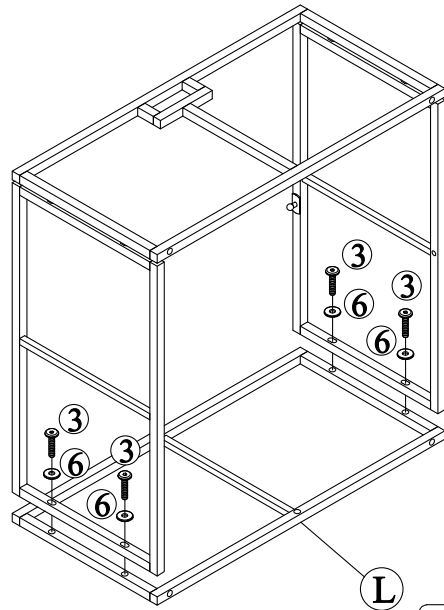
Connect Ottoman Front Frame (I) & Ottoman Right Frame (J), Ottoman Left Frame (K) with Bolt (3) & Washers (6)



I*1 J*1 K*1 ③*4 ⑥*4

STEP 2

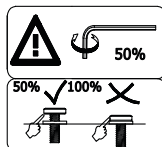
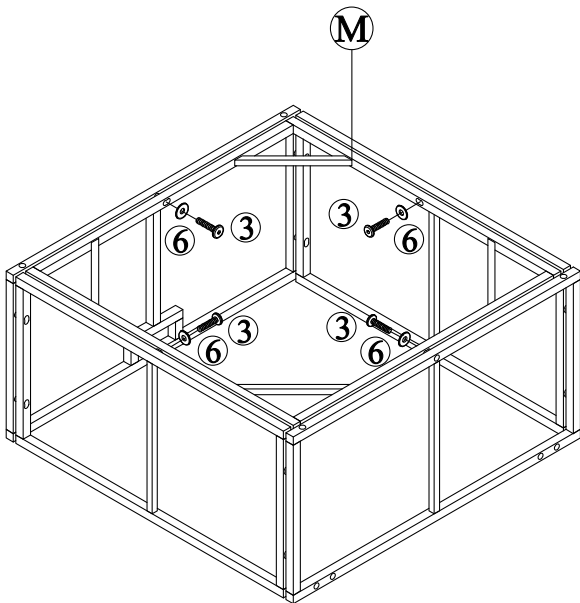
Connect part from Step 1 & Ottoman Back Frame (L) with Bolt (3) & Washers (6)



L*1 ③*4 ⑥*4

STEP 3

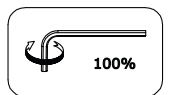
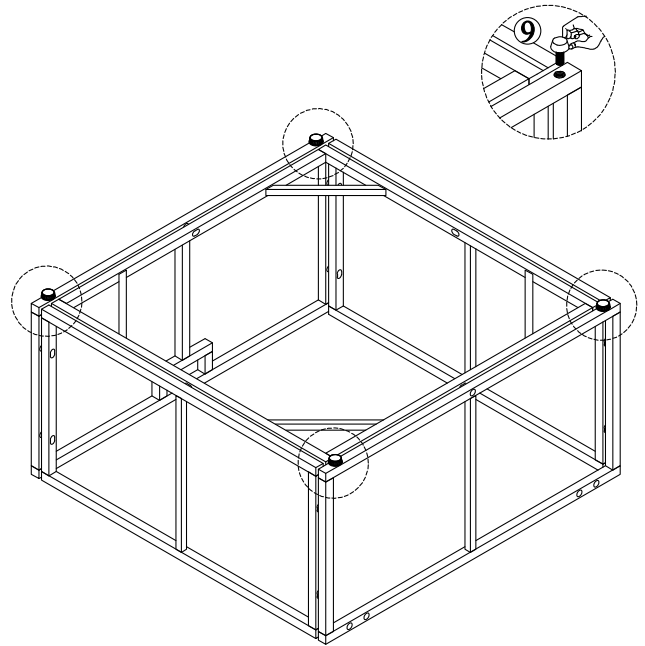
Connect part from Step 2 & Ottoman Self Frame (M) with Bolt (3) & Washers (6)



M*1 ③*4 ⑥*4

STEP 4

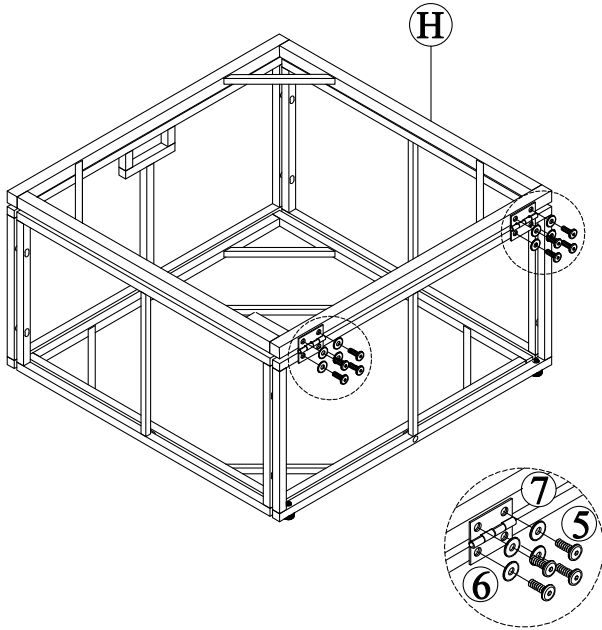
Connect part from Step 3 with Feet cap (9)



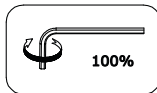
⑨*4

STEP 5

Connect part from Step 4 & Ottoman Seat Frame (H) with Bolt (5), Hinger (7) & Washers (6)

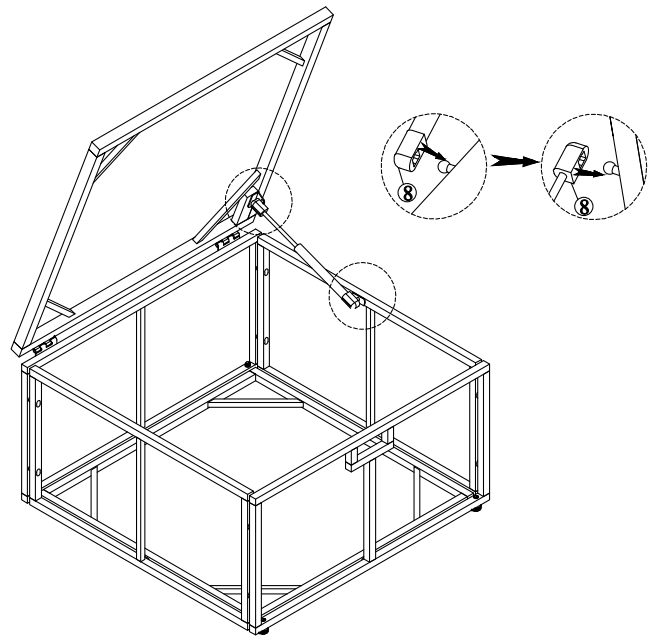


H*1 5*8 6*8 7*2

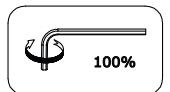


STEP 6

Connect part from Step 5 with Gas Bar (8)

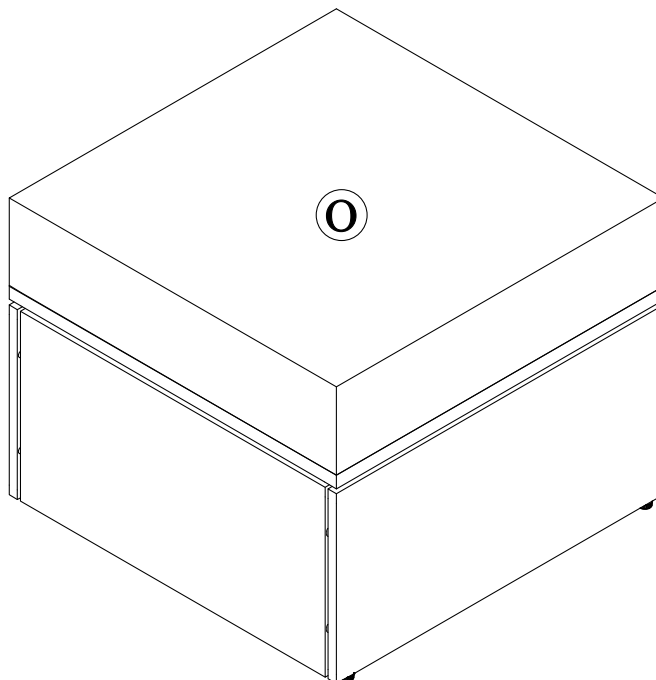


8*1

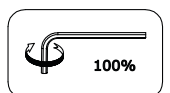


STEP 7

Put on Ottoman Cushion (O) to complete Ottoman



O*1

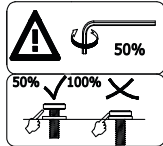


STEP 8

Connect Left Frame (B) & Back Left Frame (D) with Bolt (2), & Washers (6)

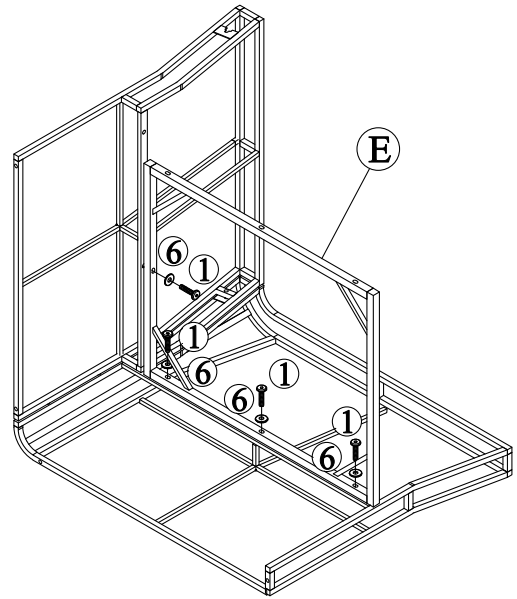


B*1 D*1 ②*2 ⑥*2

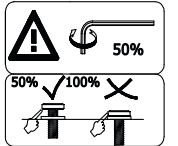


STEP 9

Connect part from Step 8 & Seat Frame (E) with Bolt (1), & Washers (6)

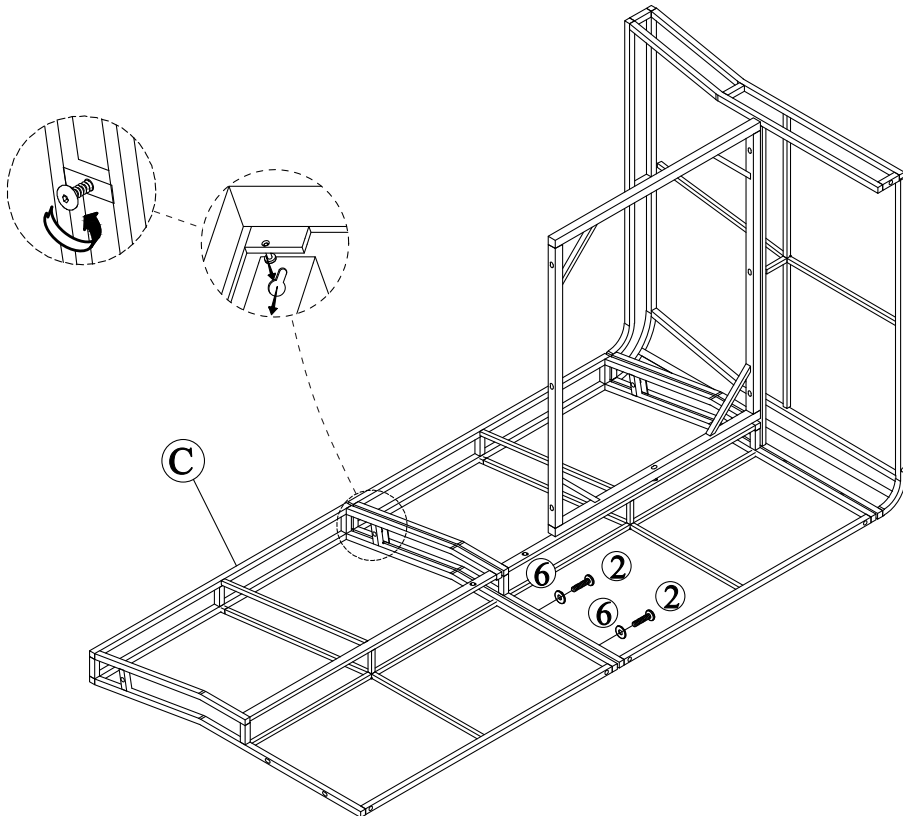


E*1 ①*4 ⑥*4

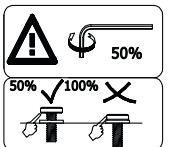


STEP 10

Connect part from Step 9 & Back Right Frame (C) with Bolt (2), Washers (6)

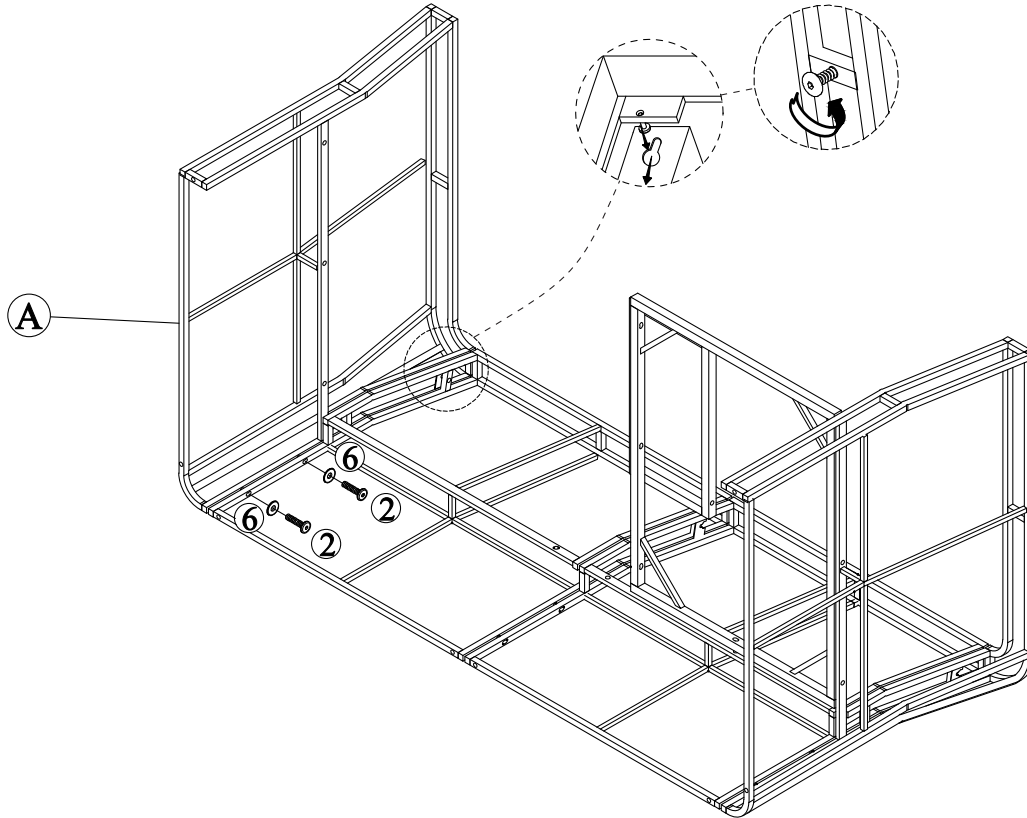


C*1 ②*2 ⑥*2

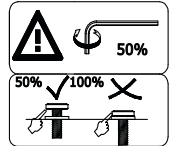


STEP 11

Connect part from Step 10 & Right Frame (A) with Bolt (2), Washers (6)

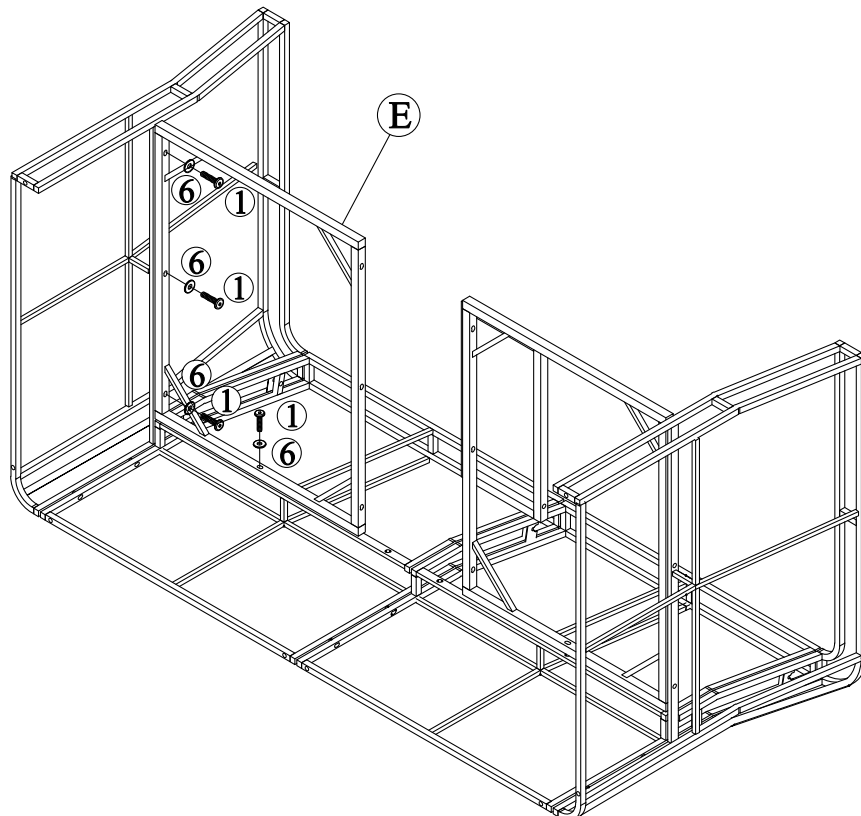


A*1 ②*2 ⑥*2

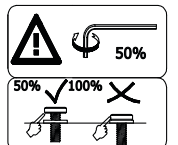


STEP 12

Connect part from Step 11 & Seat Frame (E) with Bolt (1), Washers (6)

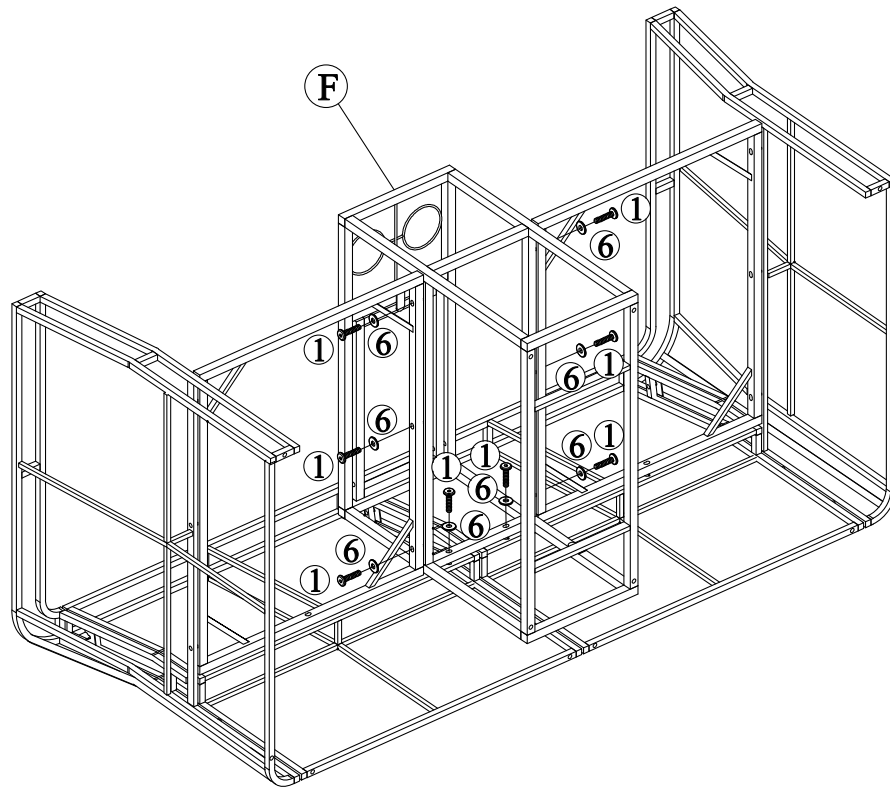


E*1 ①*4 ⑥*4

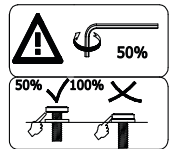


STEP 13

Connect part from Step 12 & Center Console (F) with Bolt (1), Washers (6)

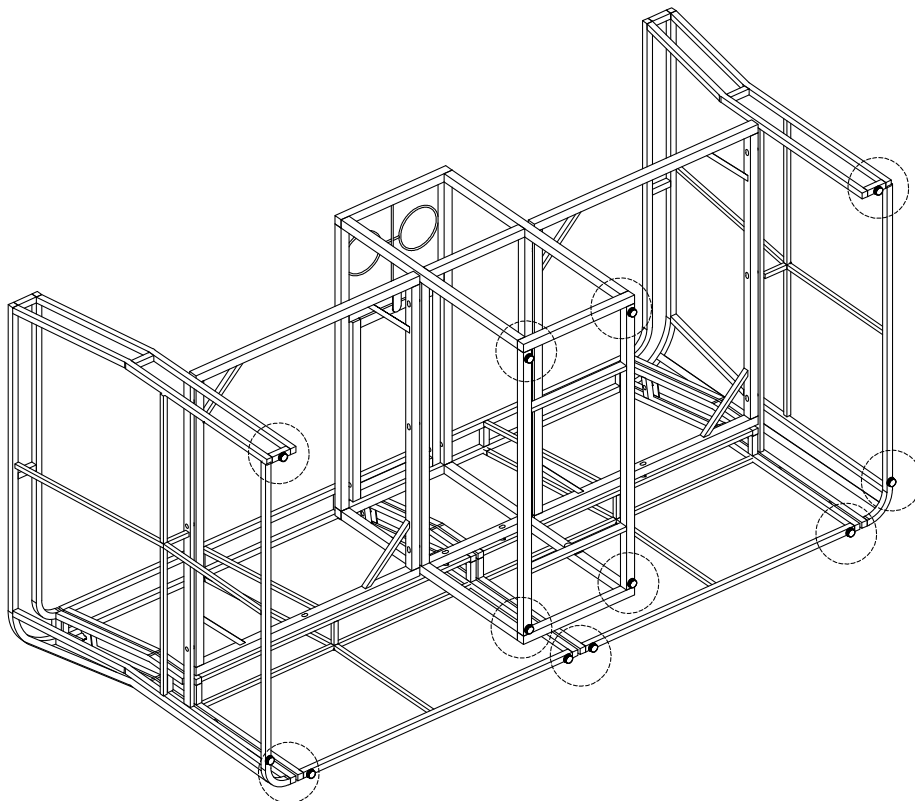


F*1 1*8 6*8

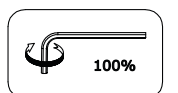


STEP 14

Connect part from Step 13 with Feet cap (9)

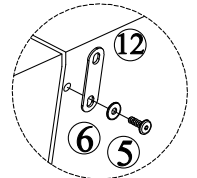
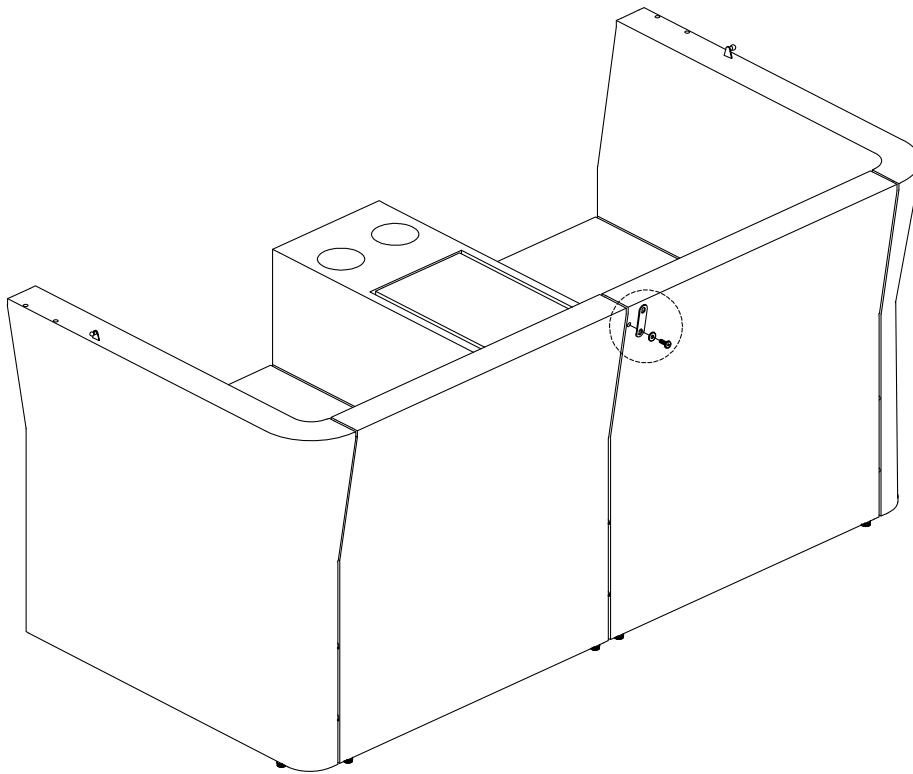


9*12

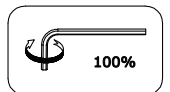


STEP 15

Connect part from Step 14 & Keeper Plate (12) with Bolt (5), Washers (6)

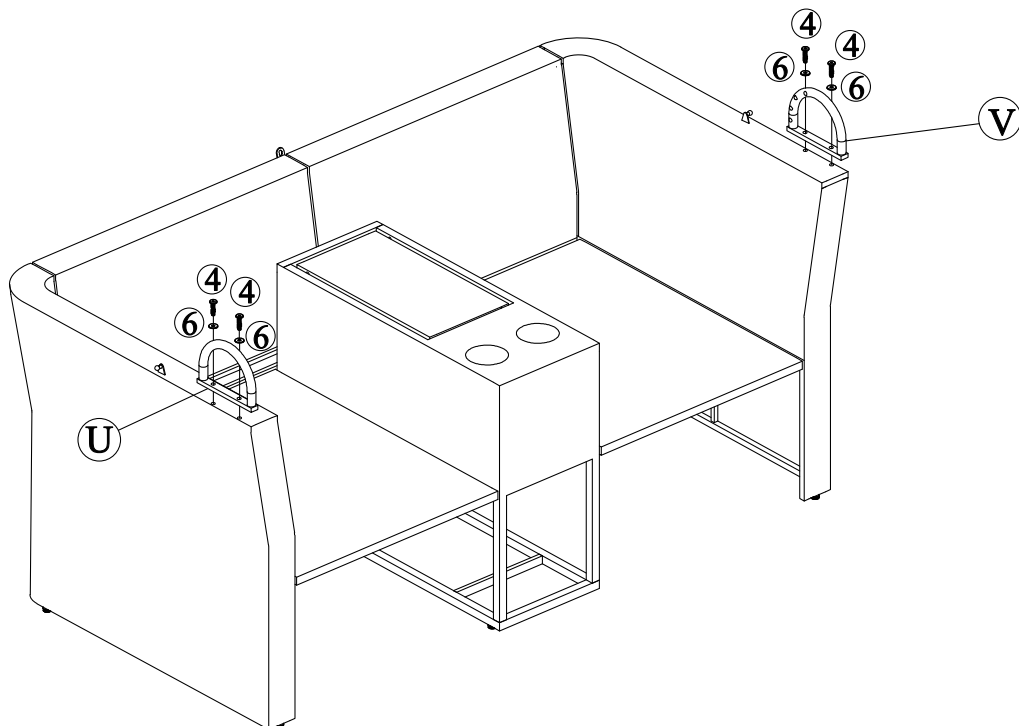


12*1 5*1 6*1

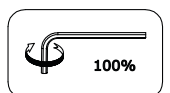


STEP 16

Connect part from Step 15 & Arm Right Frame (U), Arm Left Frame (V) with Bolt (4) & Washers (6)

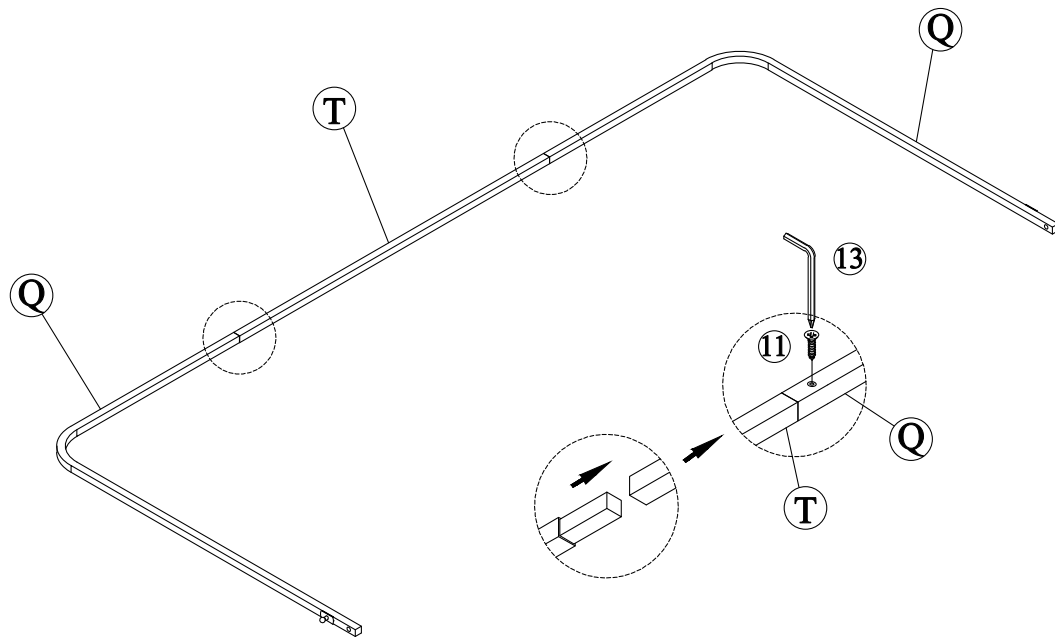


U*1 V*1 4*4 6*4

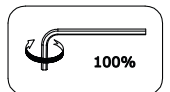


STEP 17

Connect Canopy Frame (Q) & Canopy Frame (T) with Screw (11)

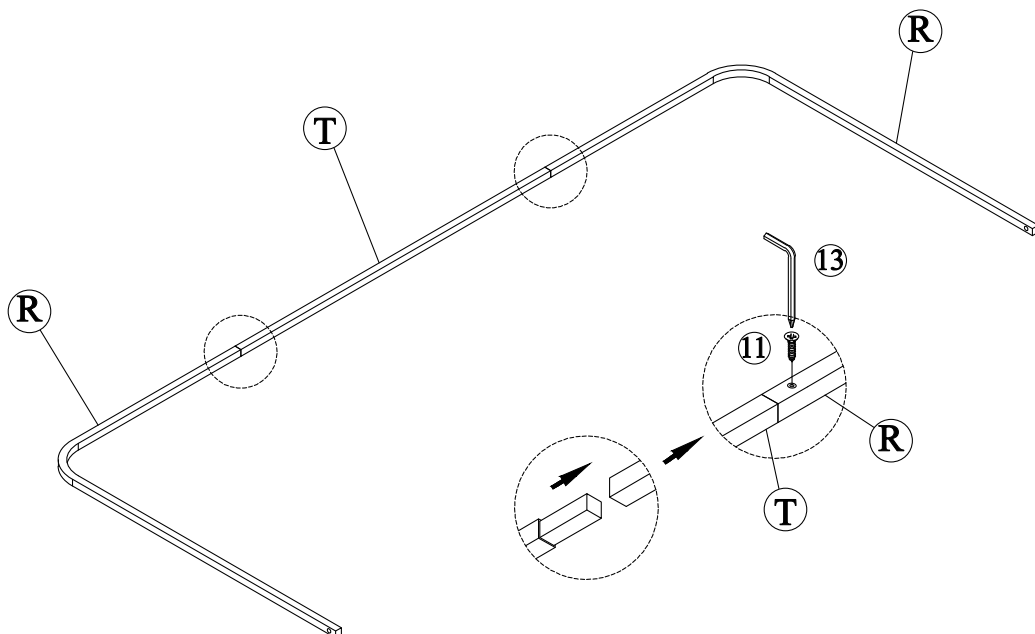


Q*2 T*1 11*2



STEP 18

Connect Canopy Frame (R) & Canopy Frame (T) with Screw (11)



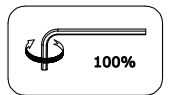
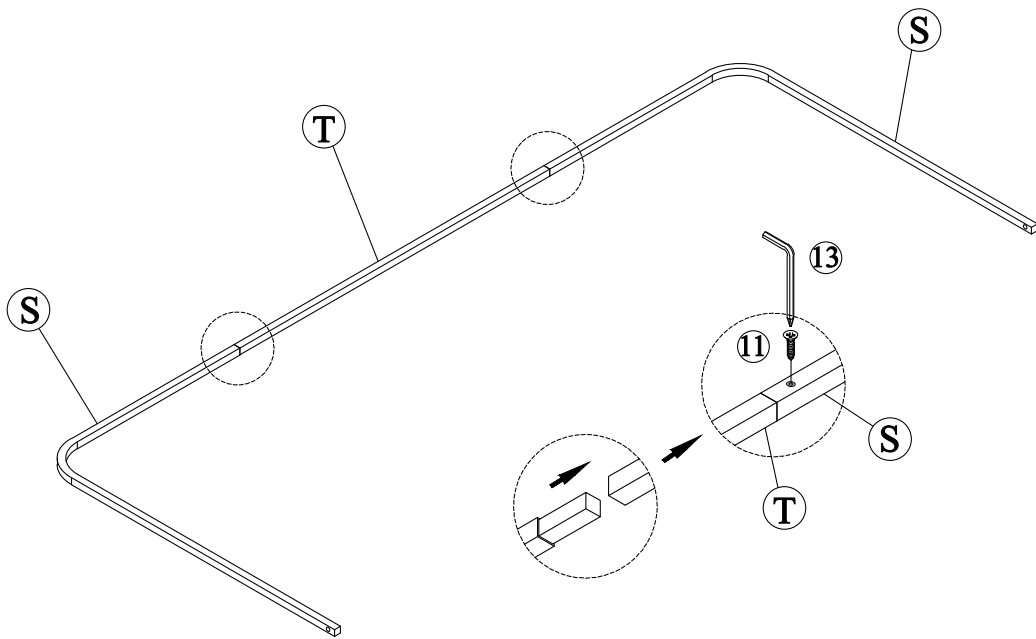
R*2 T*1 11*2



STEP 19

Connect Canopy Frame (S) & Canopy Frame (T) with Screw (11)

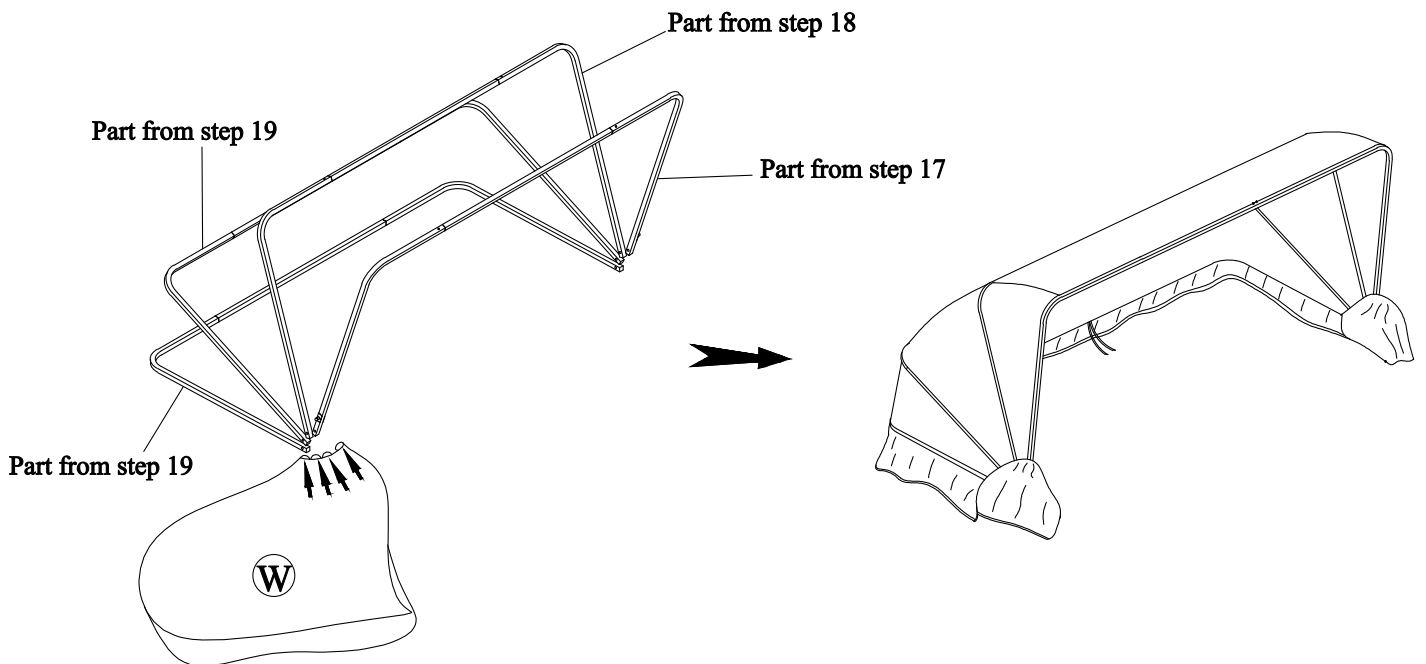
x2



S*2 T*1 11*2

STEP 20

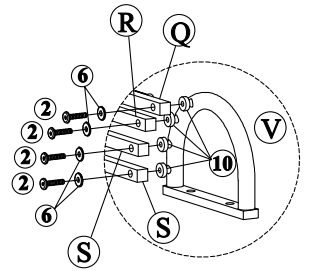
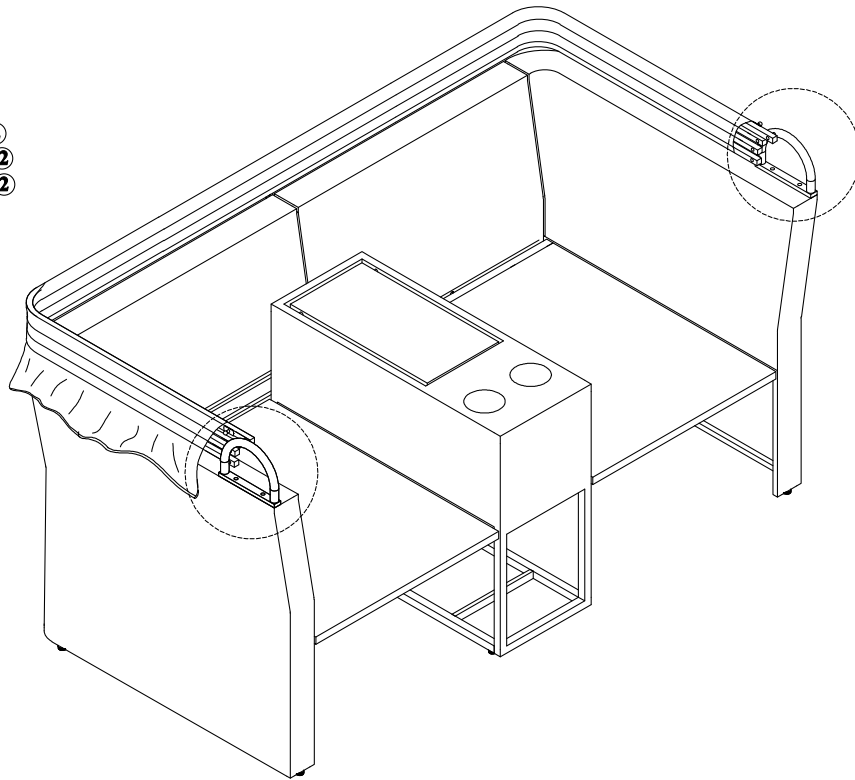
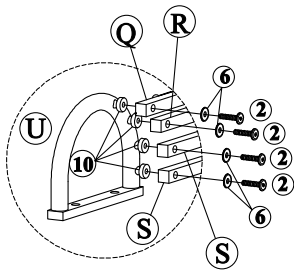
Connect part from Step 17 & part from Step 18 & part from Step 19 with Waterproof canopy (W)



W*1

STEP 21

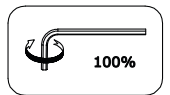
Connect part from Step 16 & part from Step 20 with Bolt (2), Washers (6),(10)



②*8

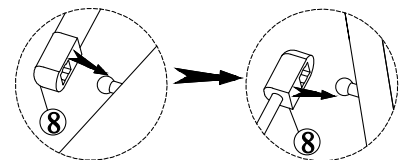
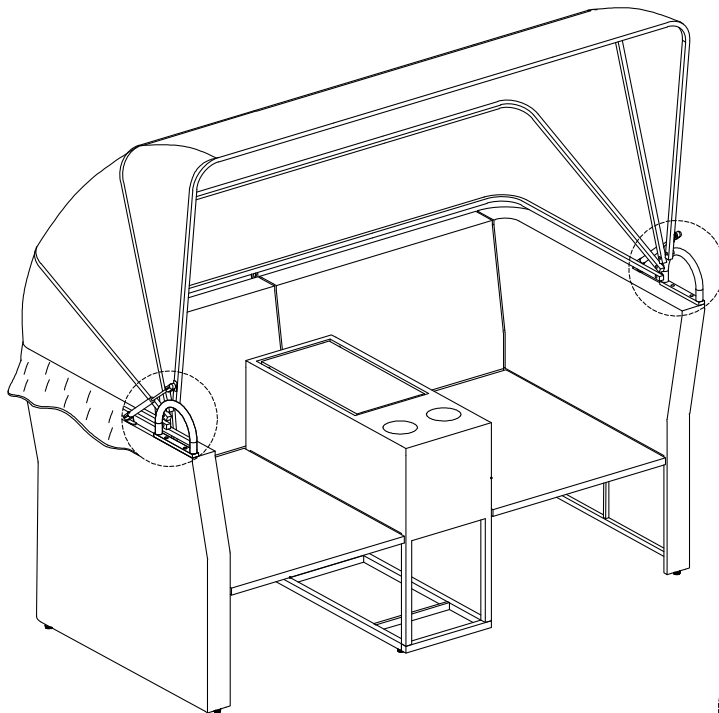
⑥*8

⑩*8



STEP 22

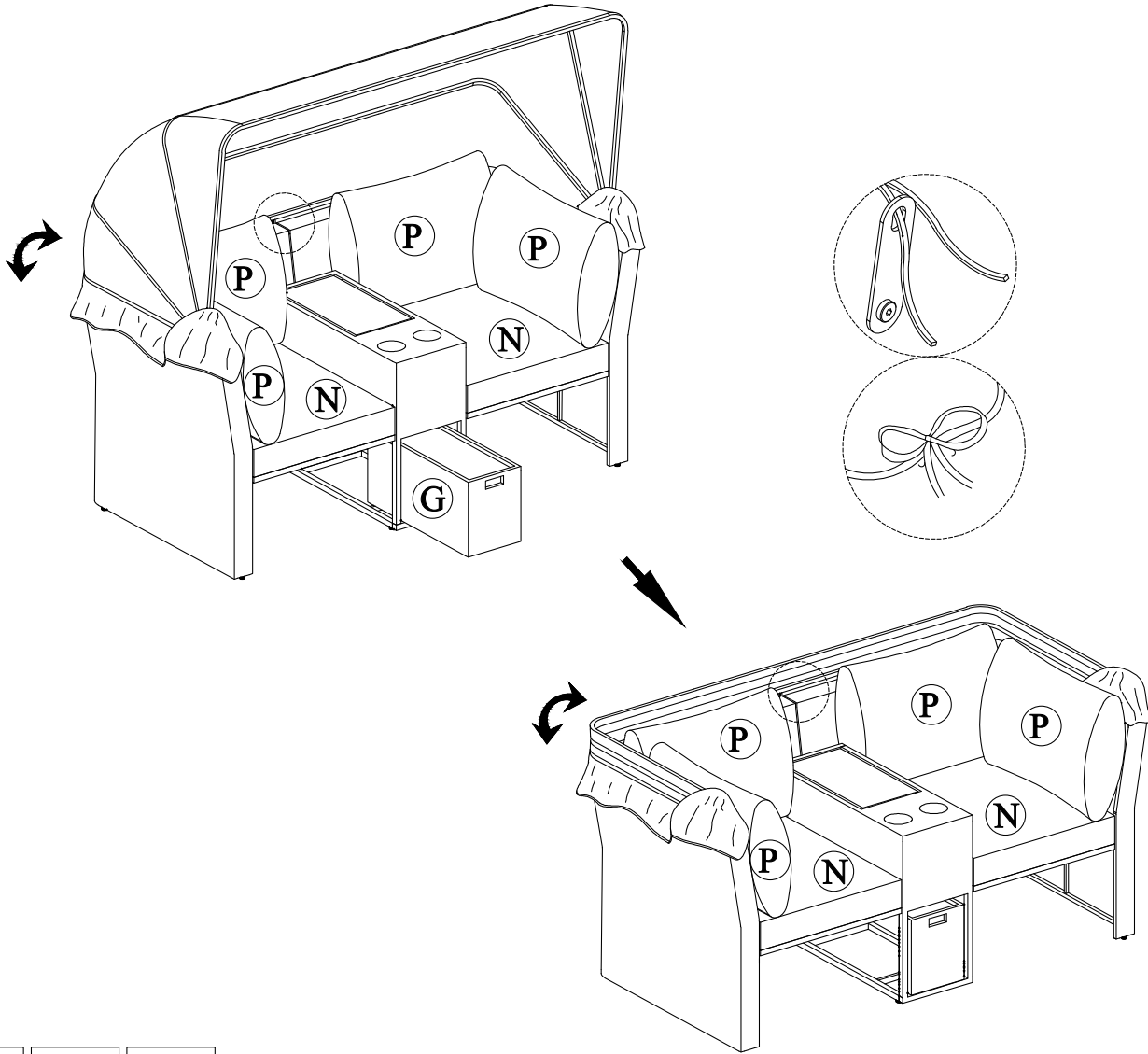
Connect part from Step 21 with Gas Bar (8)



⑧*2

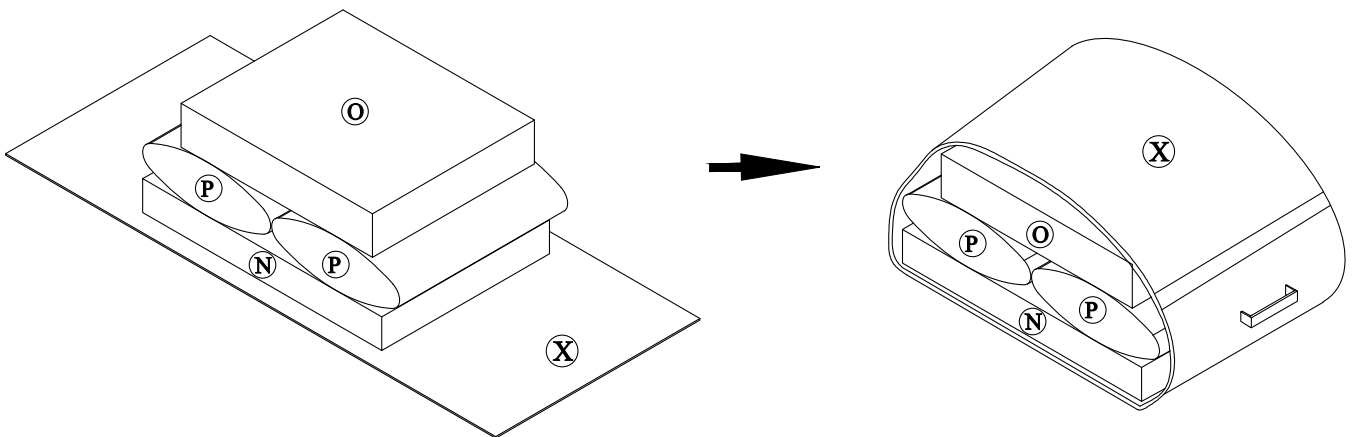
STEP 23

Put on Tray (G) & Seat Cushion (N) & Pillow (P) to complete Bench



G*1 N*2 P*4

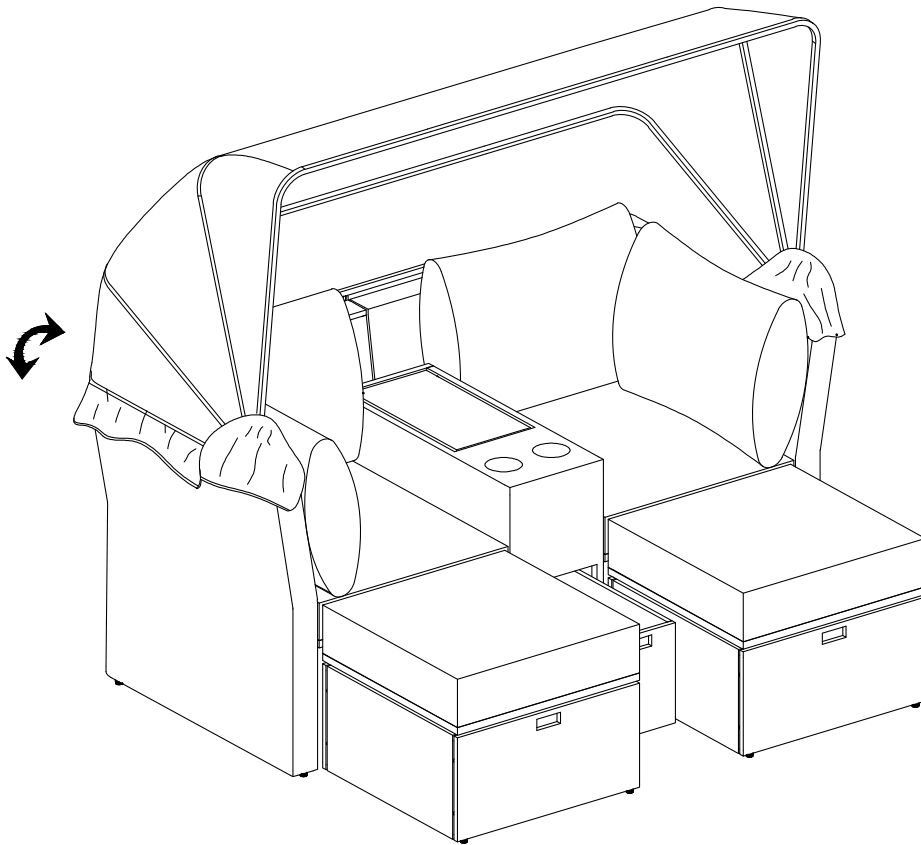
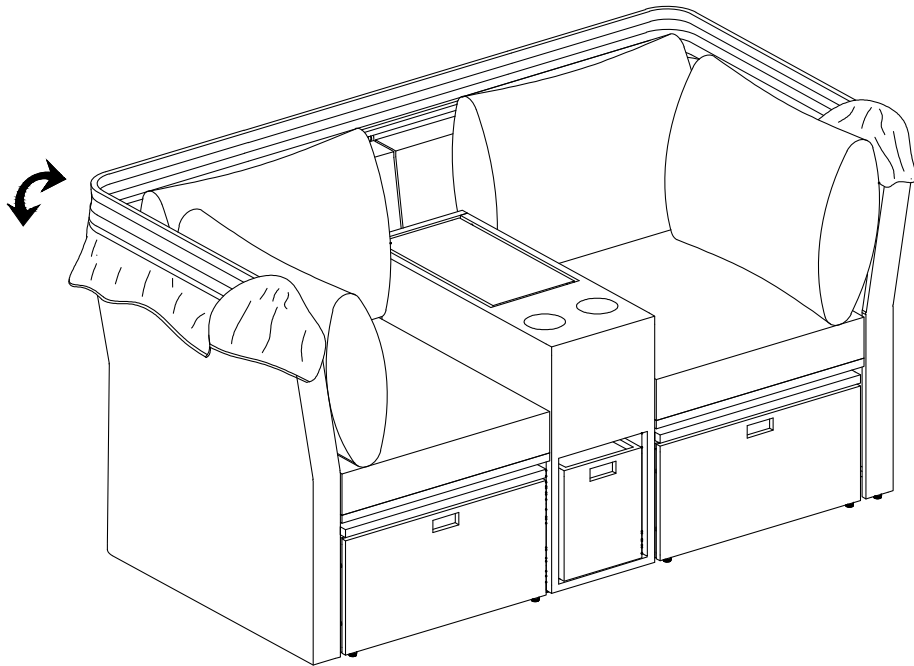
Cover the cushion with Cover Cushion (X) when not use



X*1

x2

Combination and Arrangement



FINISH