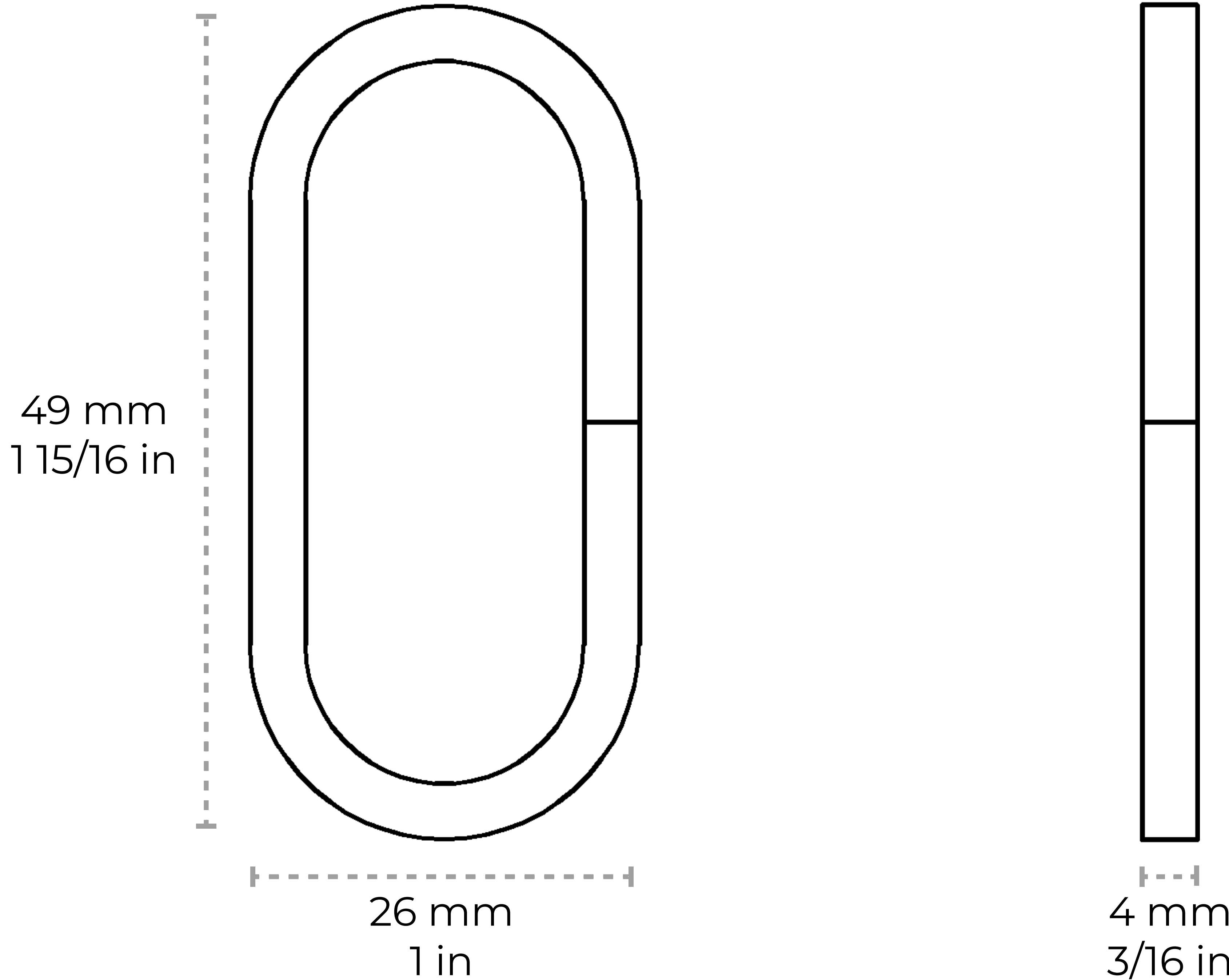


CH-ST62-U49

[Chain ST62-U] Steel Standard Link Chandelier Chain



Material	Steel
Welding Type	Unwelded
Max Load	Untested
Weight per Foot	0.3 lbs/ft
Main Link Measurements	Length: 49 mm 1 15/16 in Width: 26 mm 1 in Diameter: 4 mm 3/16 in