

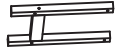


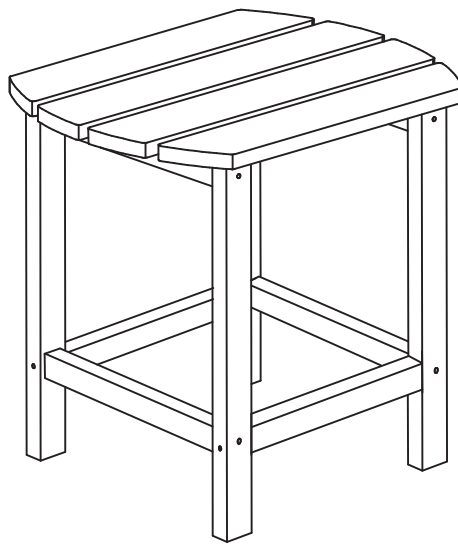


Assembly instruction

A		1pc	1	 M6 X50	8pcs
B		2pcs	2		1pc
C		2pcs			



Assembly Consideration

Do not overtighten screws(Screw in all screws before tighten them)

Follow Assembly Instructions Step by Step

Do not discard original packaging if your received items damaged or with missing parts

Count all Hardware parts before starting assembly

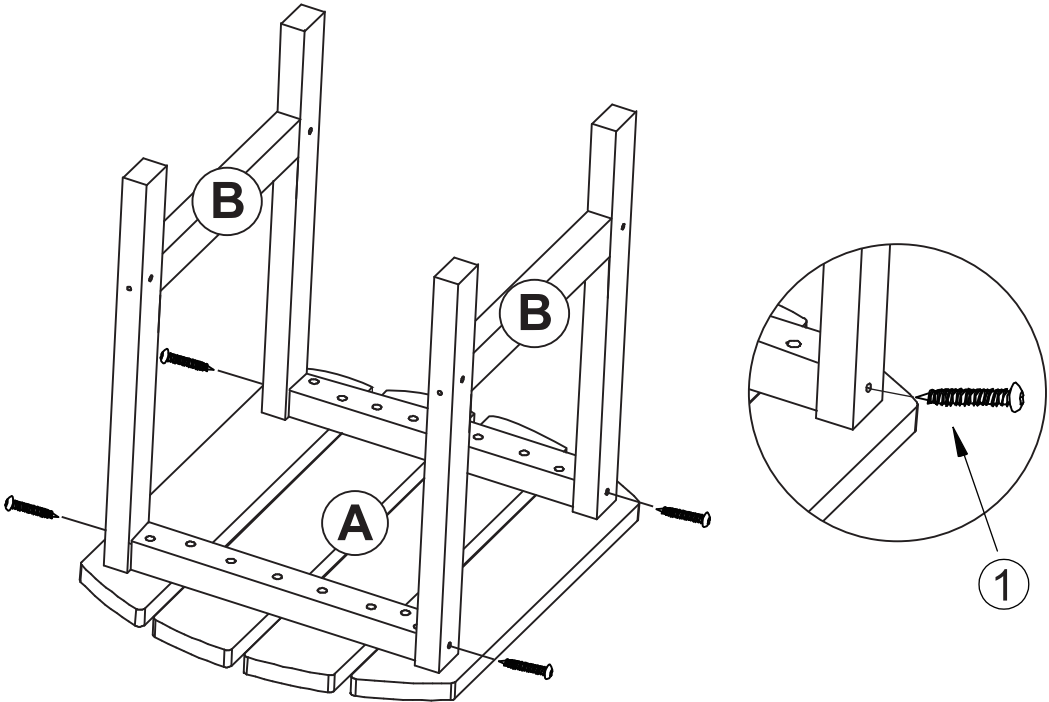
Assemble items in a clear area and away from clutter to avoid misplacing assembly items



Safety Precautions

Avoid Using strong powertools to help prevent parts from cracking when assembly

STEP: 1



STEP: 2

