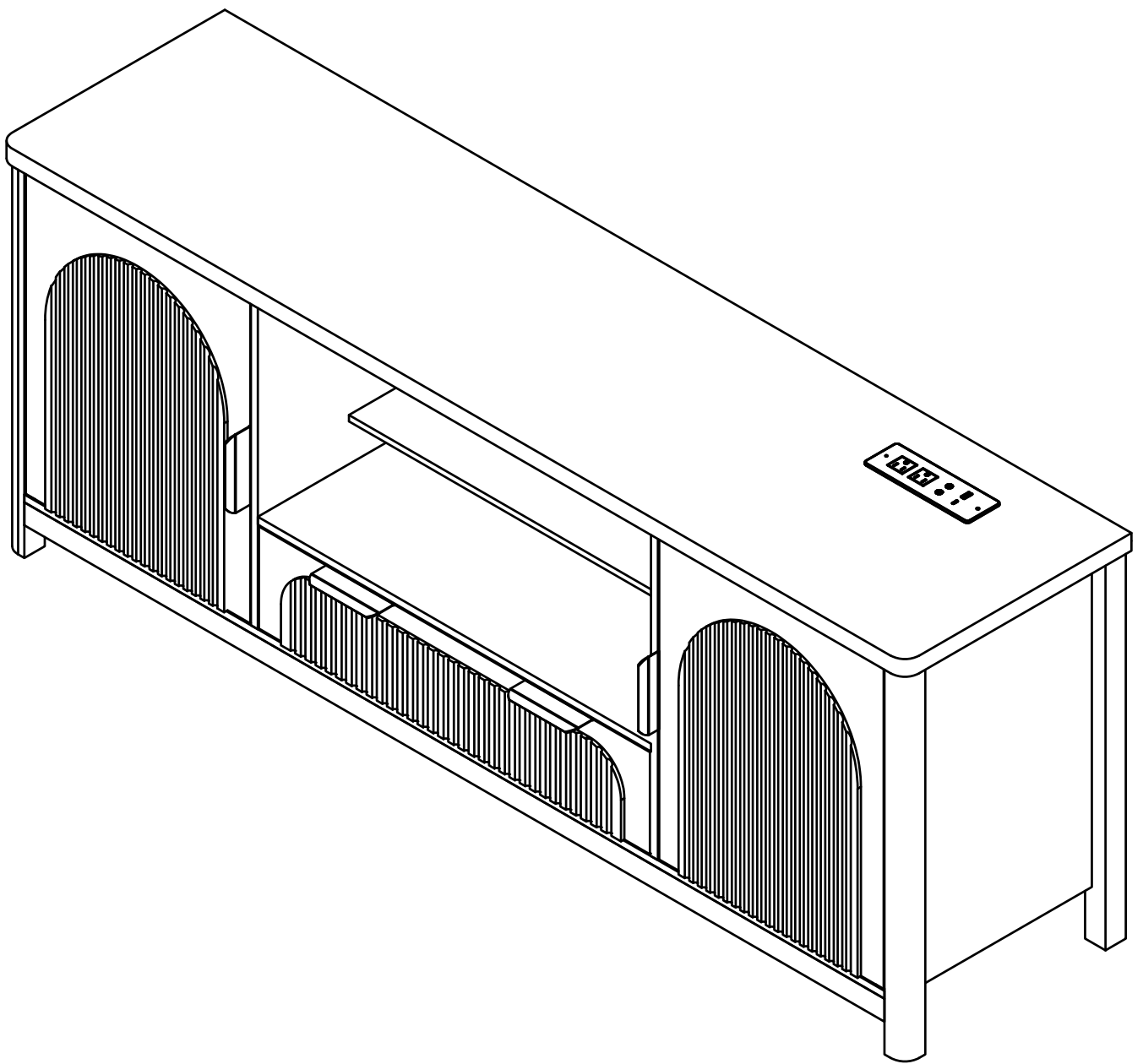
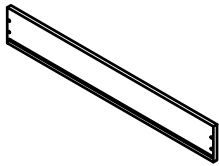
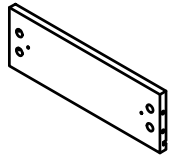


Product Installation Instructions

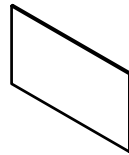




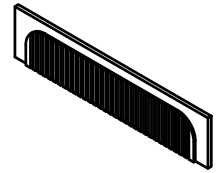
1x1



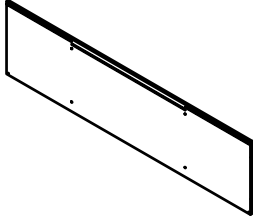
2x2



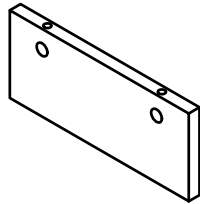
3x1



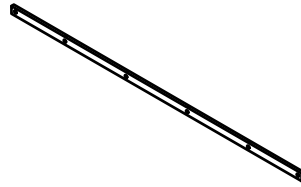
4x1



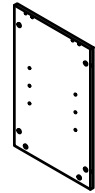
5x1



6x2



7x2



8x2



9x1



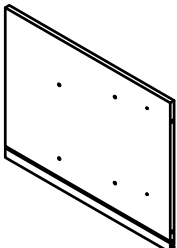
10x1



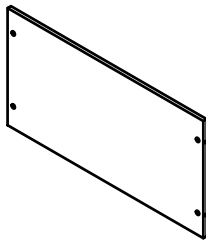
11x1



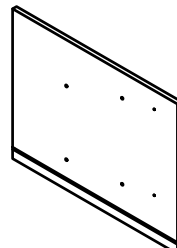
12x1



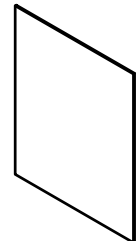
13x1



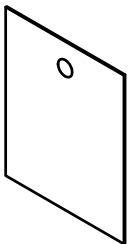
14x1



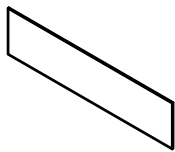
15x1



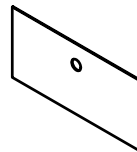
16x1



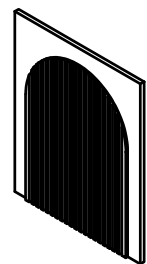
17x1



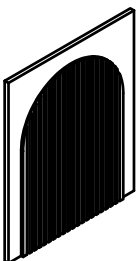
18x1



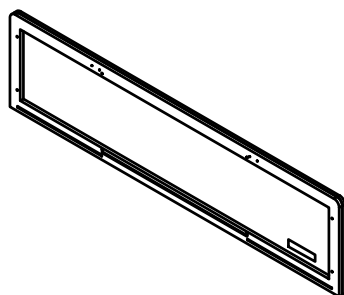
19x1



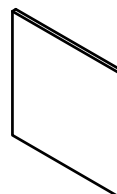
20x1



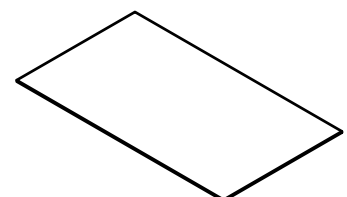
21x1



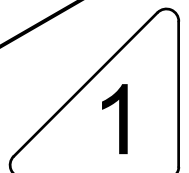
22x1



23x2

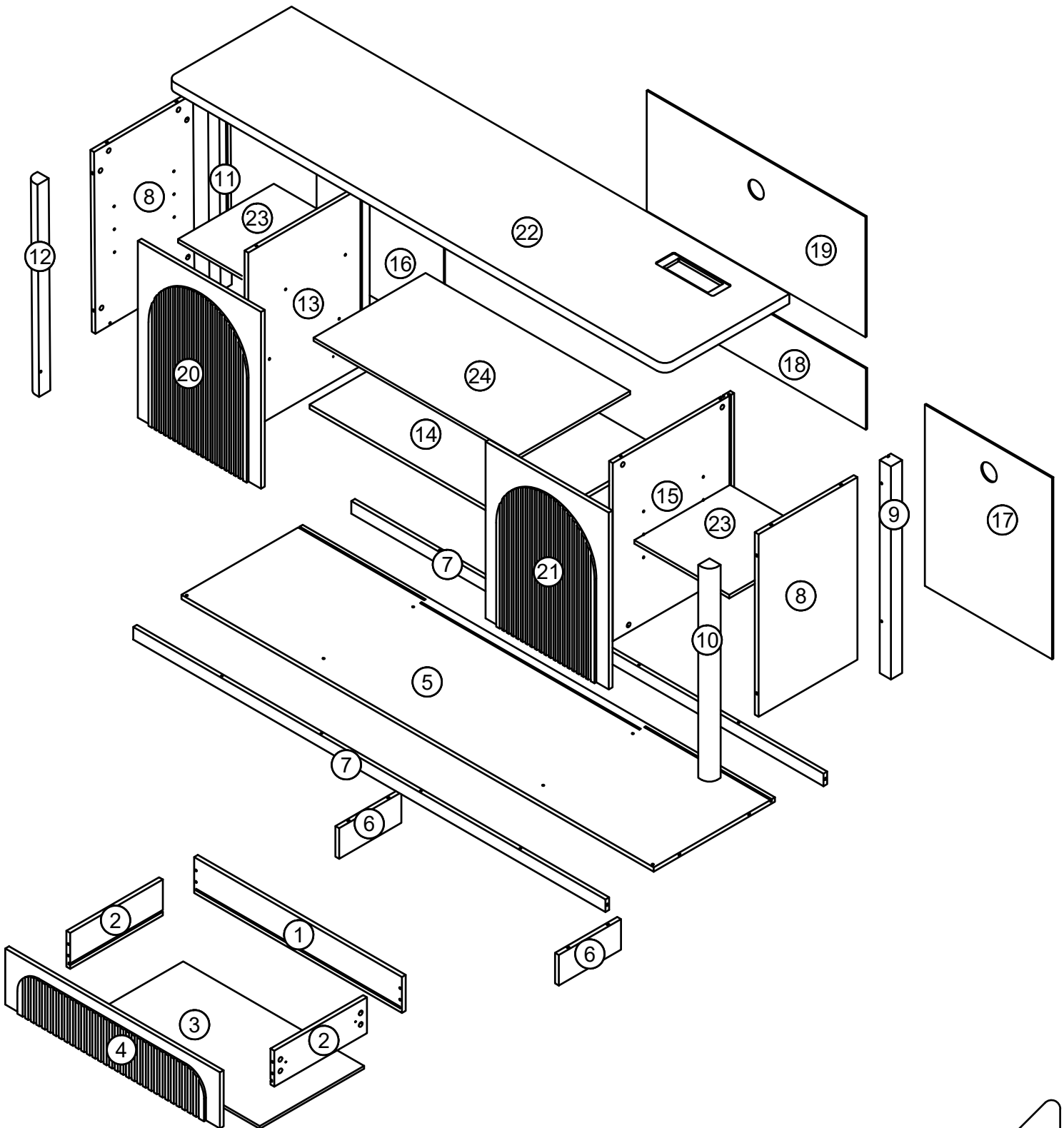


24x1

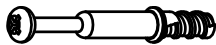

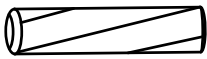


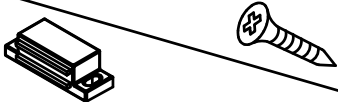
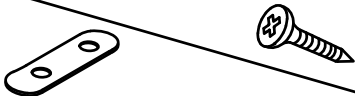
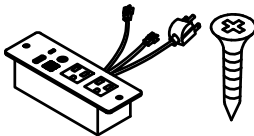
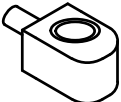
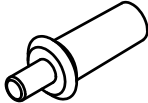



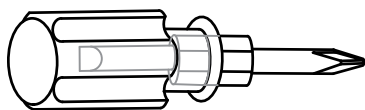
1

Product structure decomposition

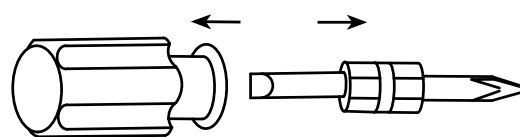


Accessories list

A		Two In One Screw (6x28mm)	56pcs +3pcs
B		Two In One Nut (10x12mm)	56pcs +3pcs
C		Wood Chipping (6x30mm)	4pcs +1pcs
D		Handle & Screw (3x12mm)	8pcs +2pcs 4pcs
E		Screw & Guide(12inch) (3x12mm)	10pcs +2pcs 2pcs
F		Magnetic attraction & Screw (3.5x12mm)	4pcs +1pcs 2pcs
G		Iron Sheet & Screw (3x10mm)	4pcs +1pcs 2pcs
H		Power Socket & Screw (3x10mm)	2pcs 1pcs
I		Laminate support nail	12pcs +2pcs
J		Spring dowel pin	4pcs +2pcs
K		Fixing clip & screw (3x16mm)	18pcs +2pcs

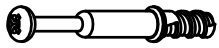


1pcs



Double-head screwdriver, use as required

A



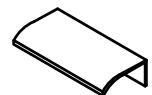
8 pcs

B



8 pcs

D



2 pcs



4 pcs

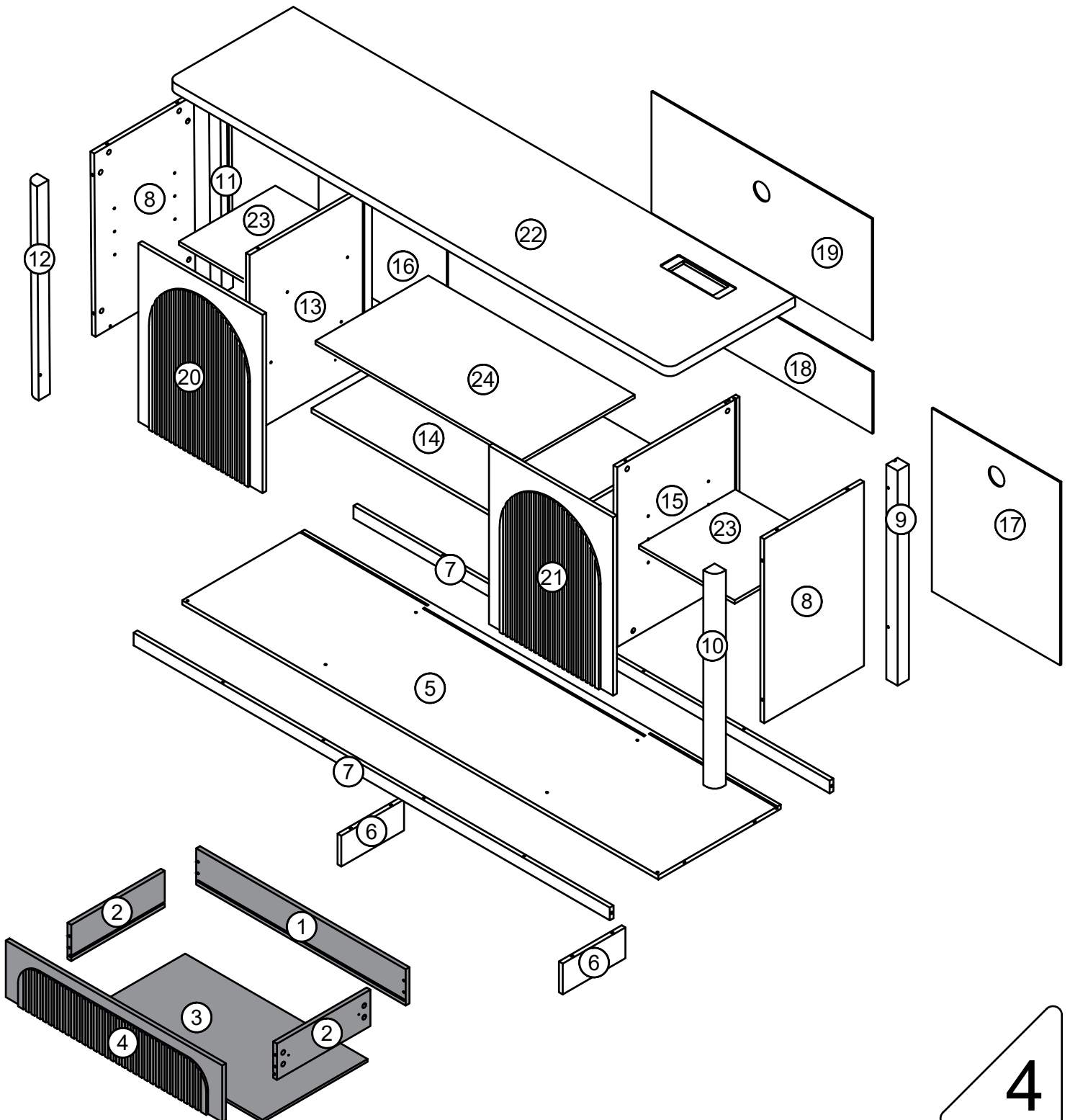
E



2 pcs

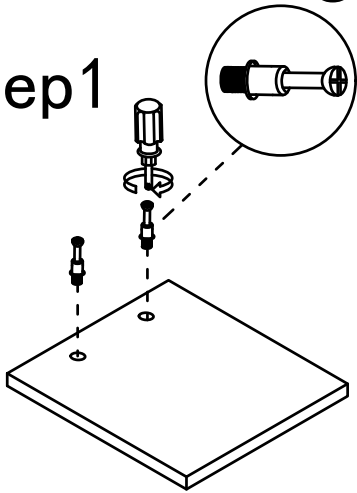


4 pcs

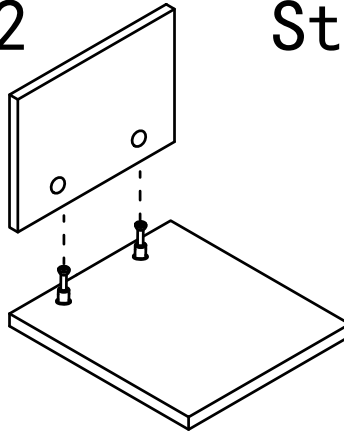


Use parts (A) and (B)

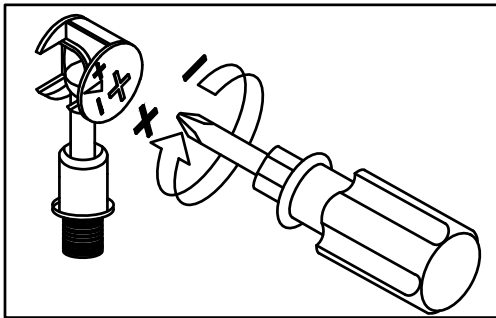
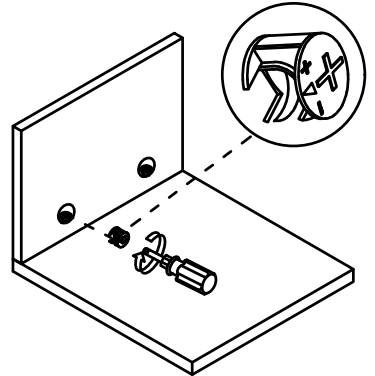
Step1



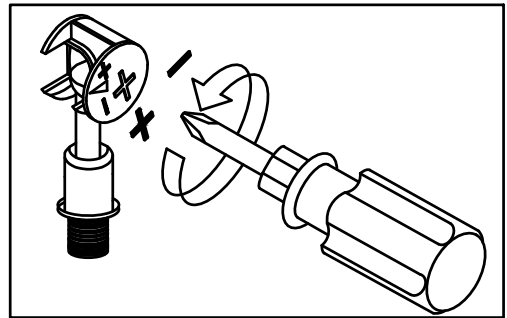
Step2



Step3

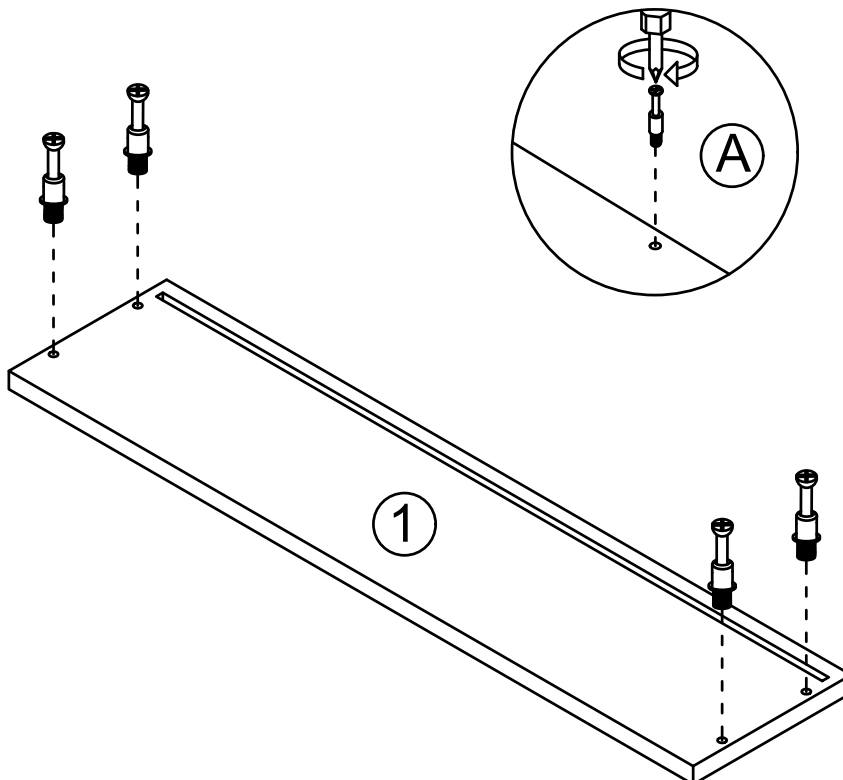
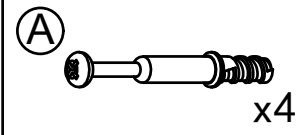


Use a screwdriver to lock in the direction of the "+" sign



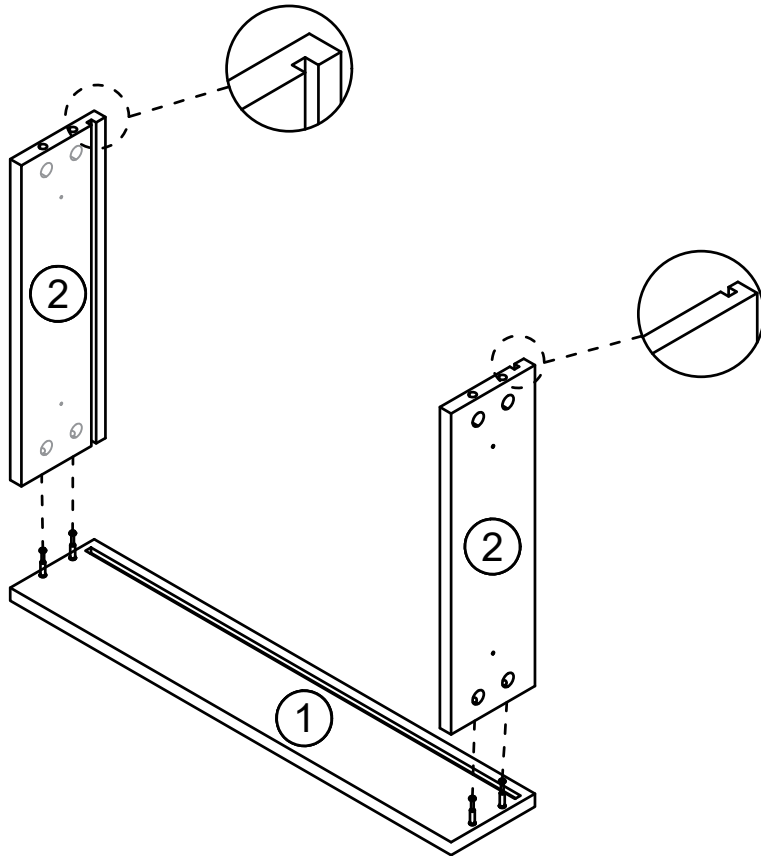
Disassemble along the direction of "-" sign

Step 1

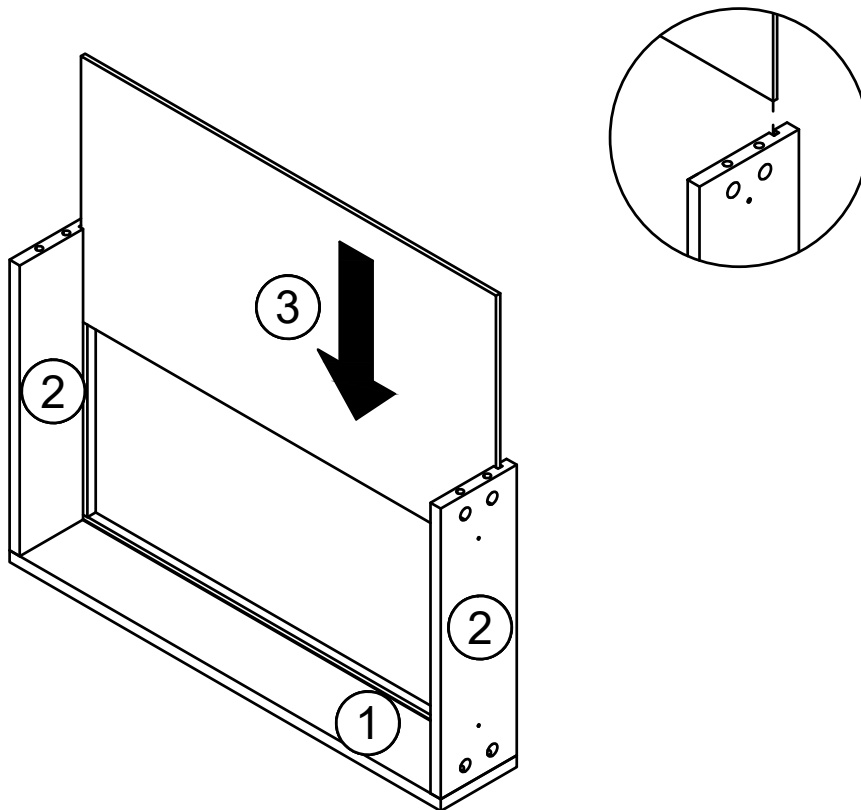


5

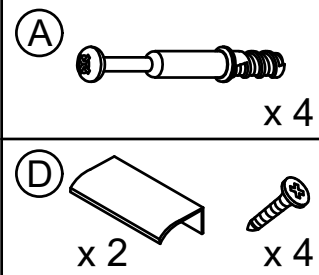
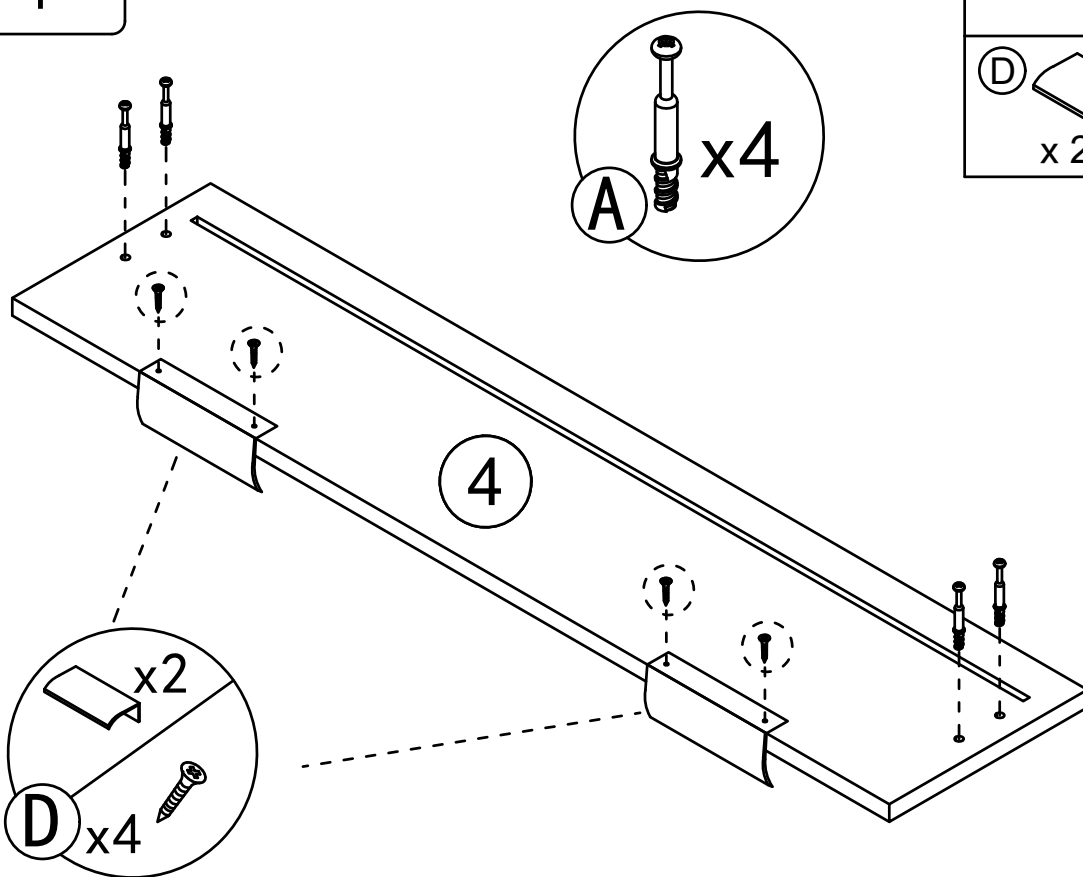
Step 2



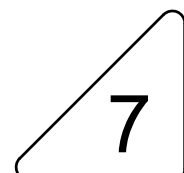
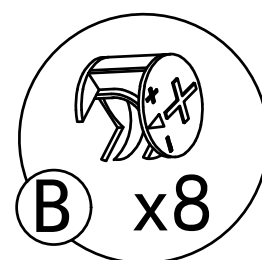
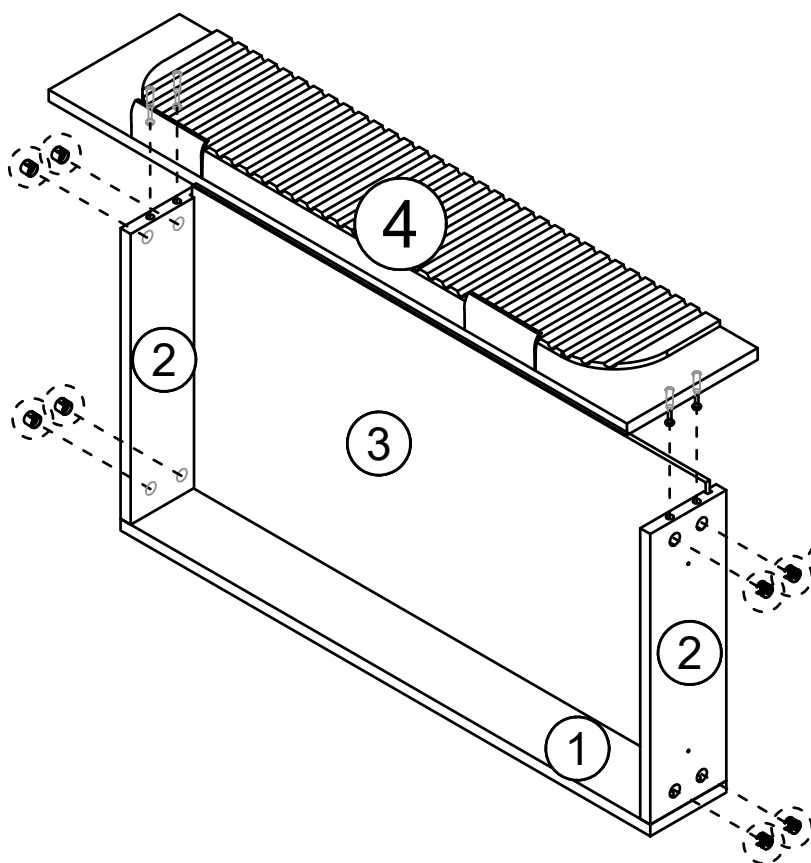
Step 3



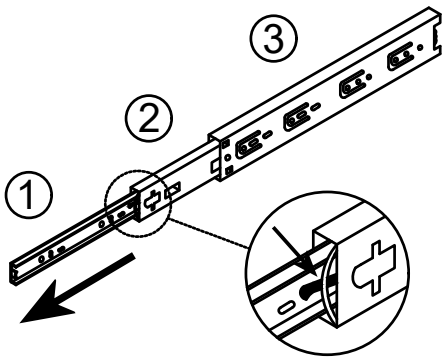
Step 4



Step 5

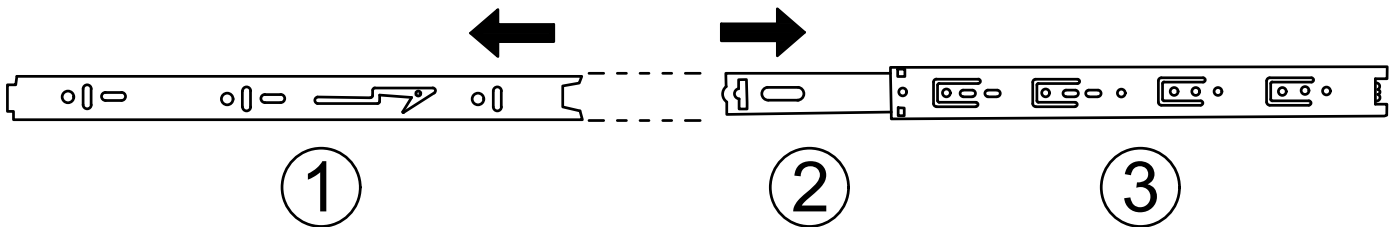
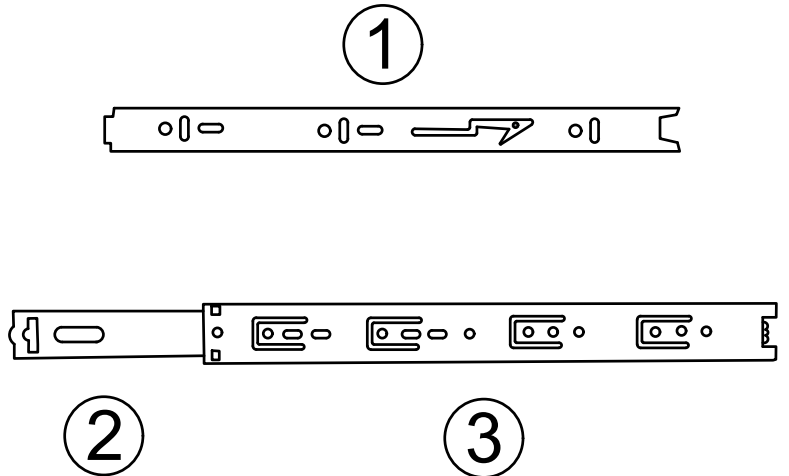


Drawer rail breakdown diagram

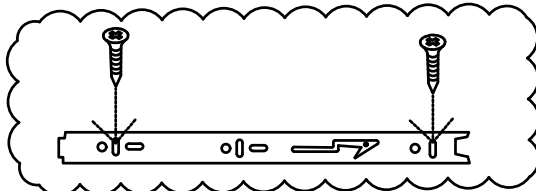


Step 1 : Pull the rails apart

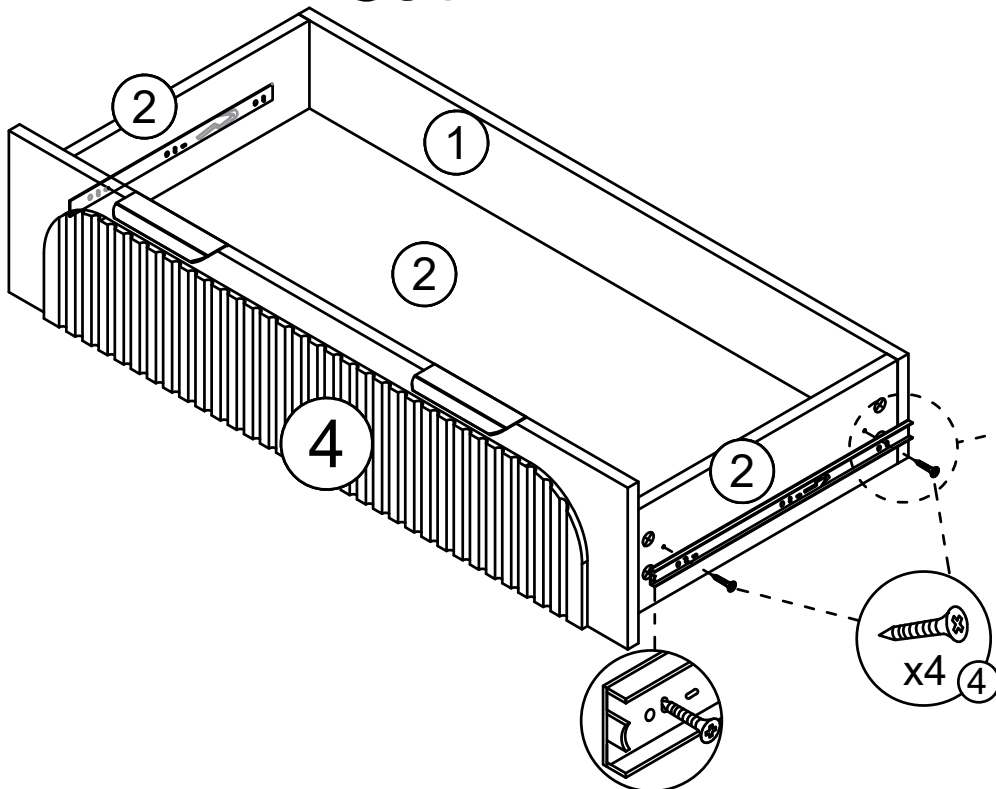
Step 2 : Push the nylon buckle outward ①

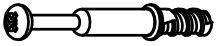

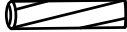








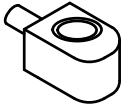
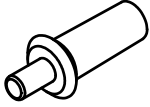




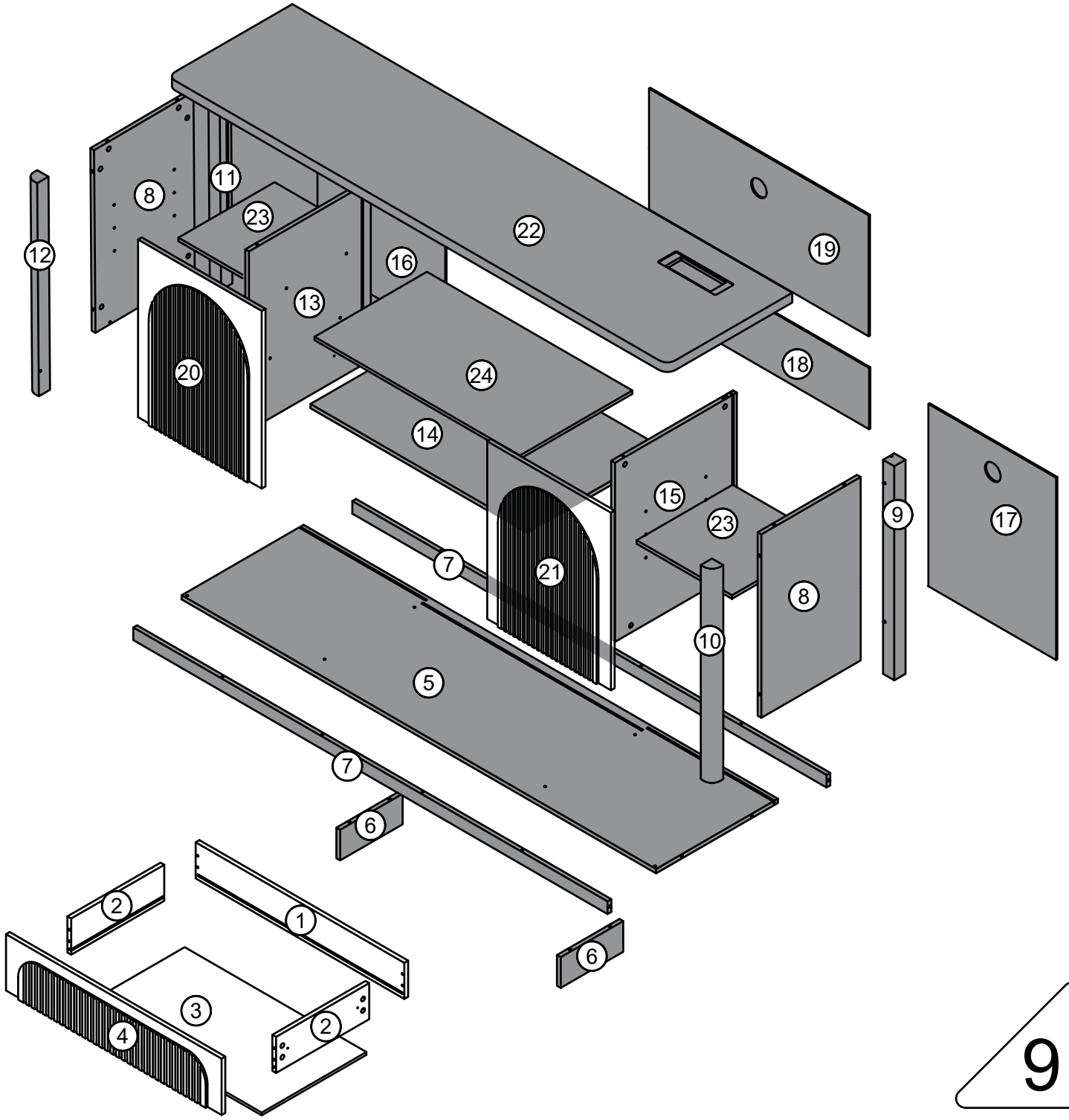
Step 6



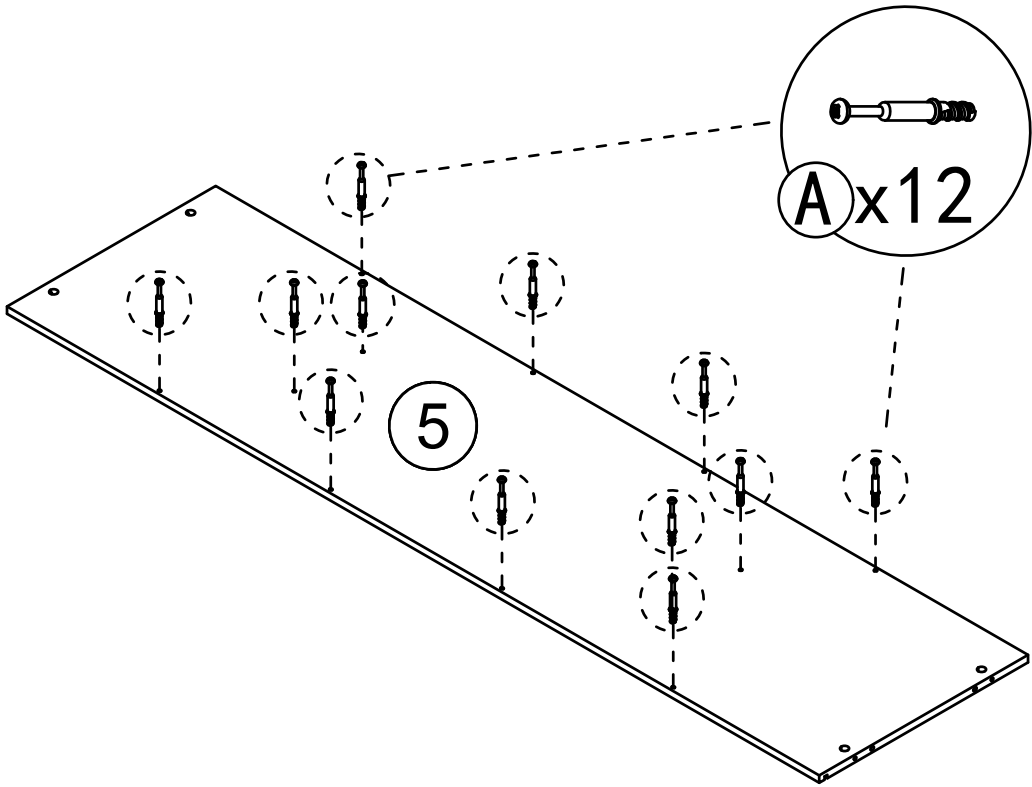
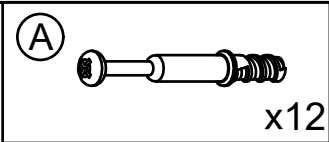
- Ⓔ x 2
- x 4



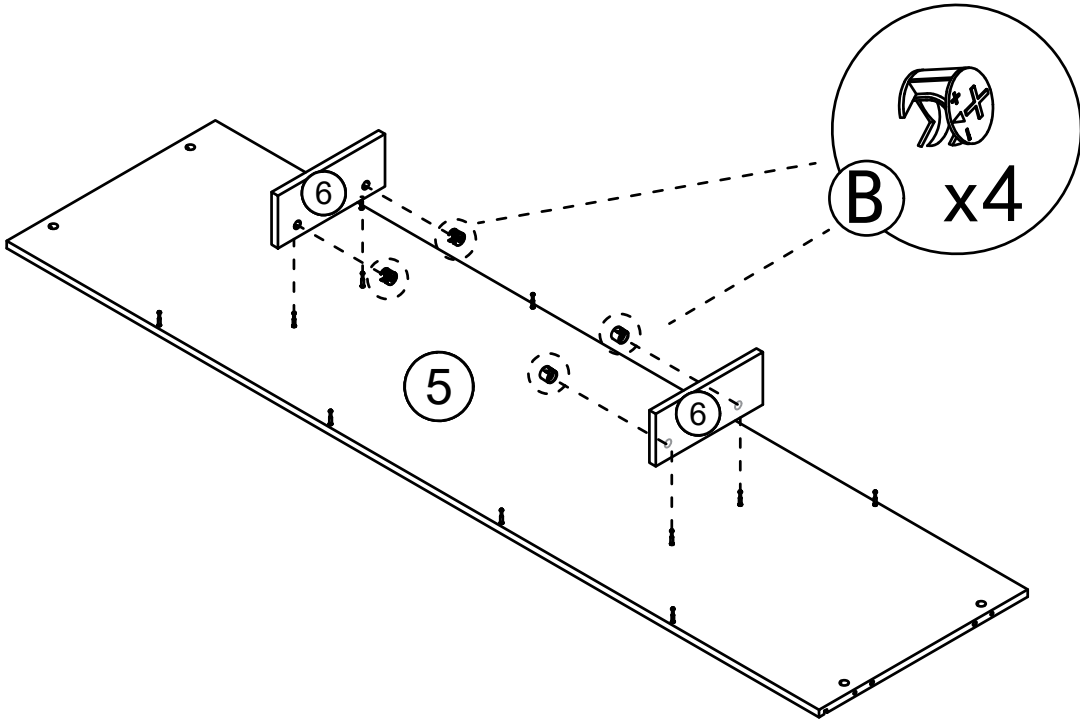
A		48 pcs	B		48 pcs	C		4 pcs		
D		2 pcs		4 pcs	E		2 pcs		6 pcs	
F		2 pcs	G		2 pcs		4 pcs	H		1 pcs
I		12 pcs	J		4 pcs	K			18 pcs	




Step 7

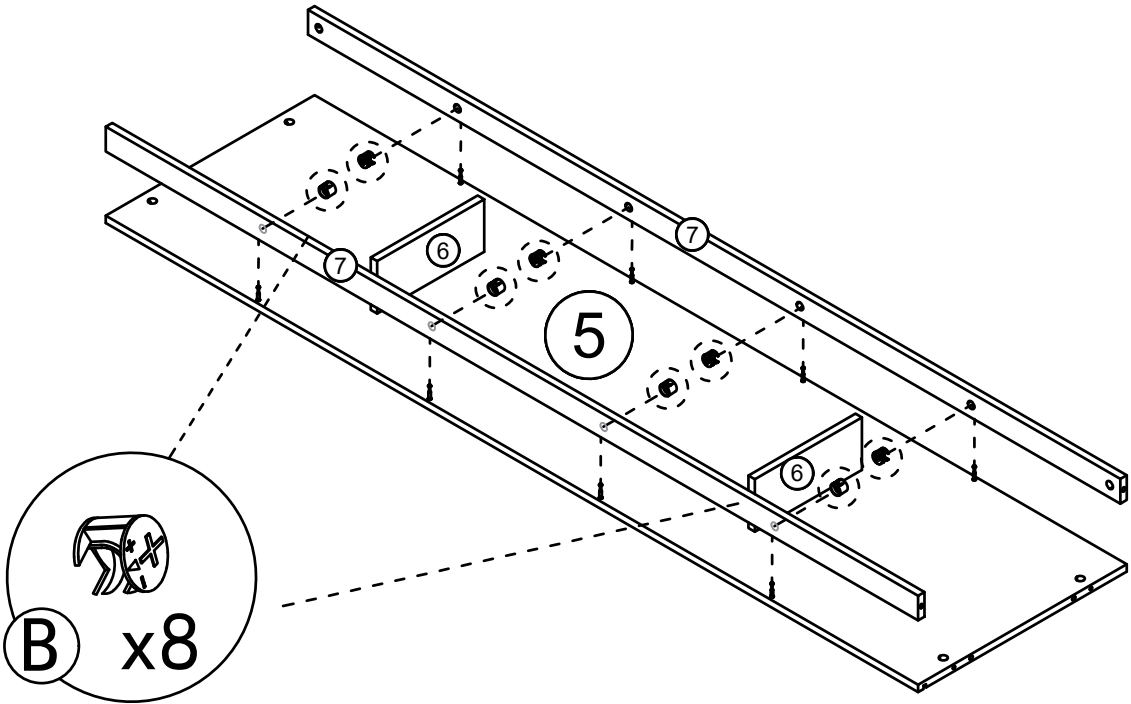


Step 8

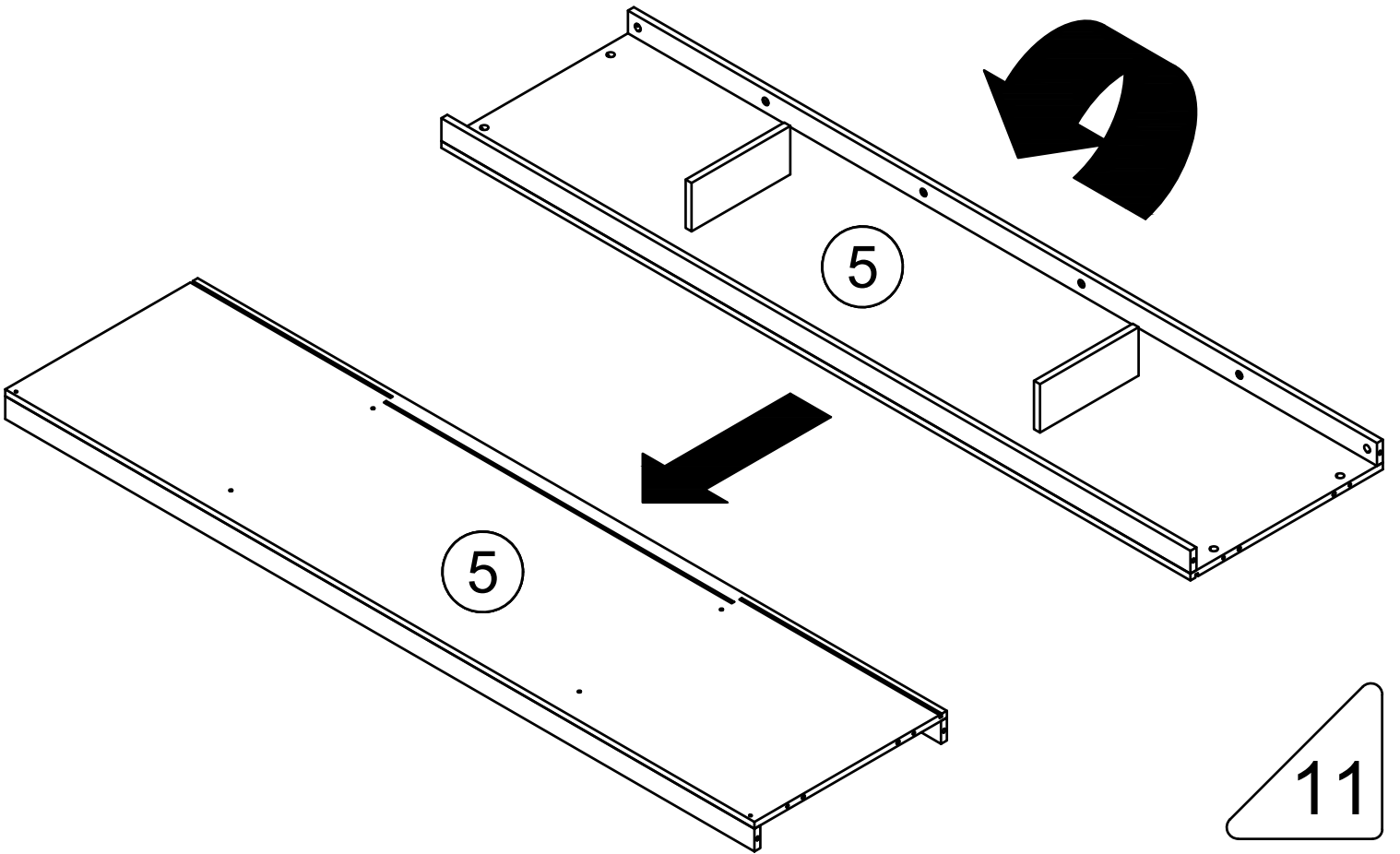


Step 9

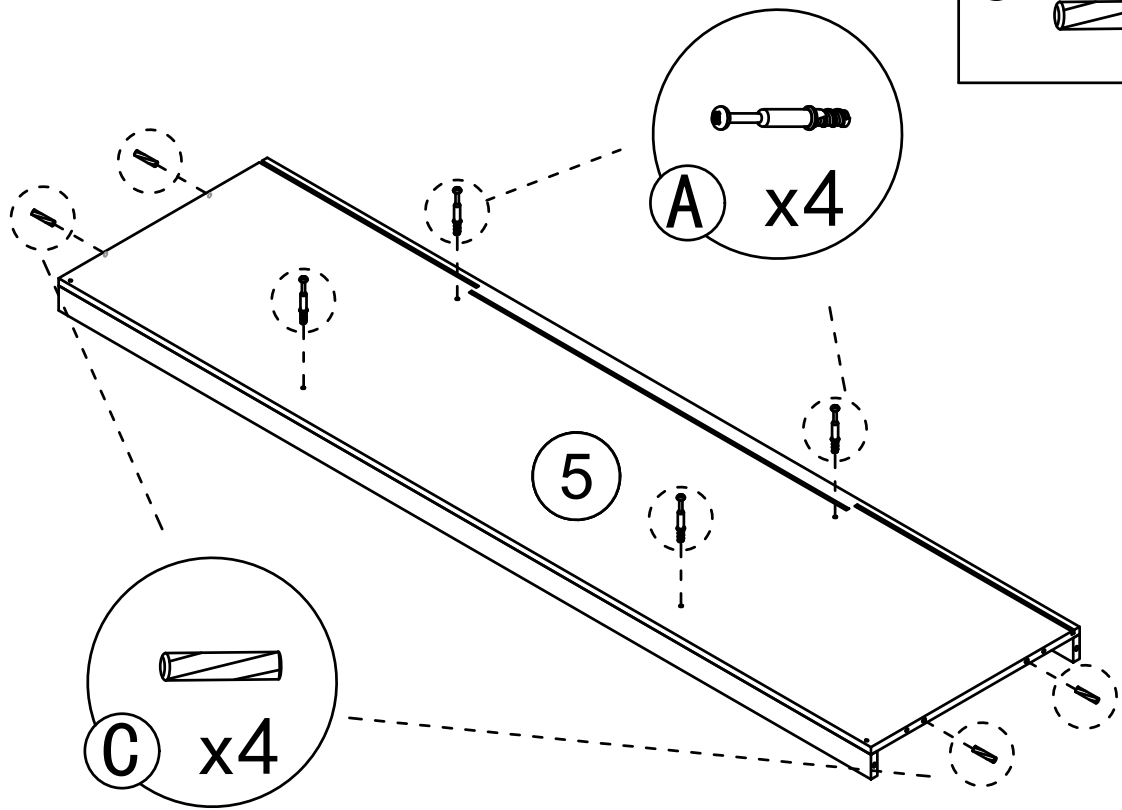
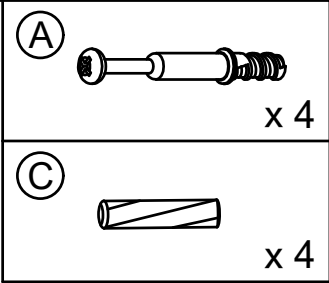
(B)  x 8



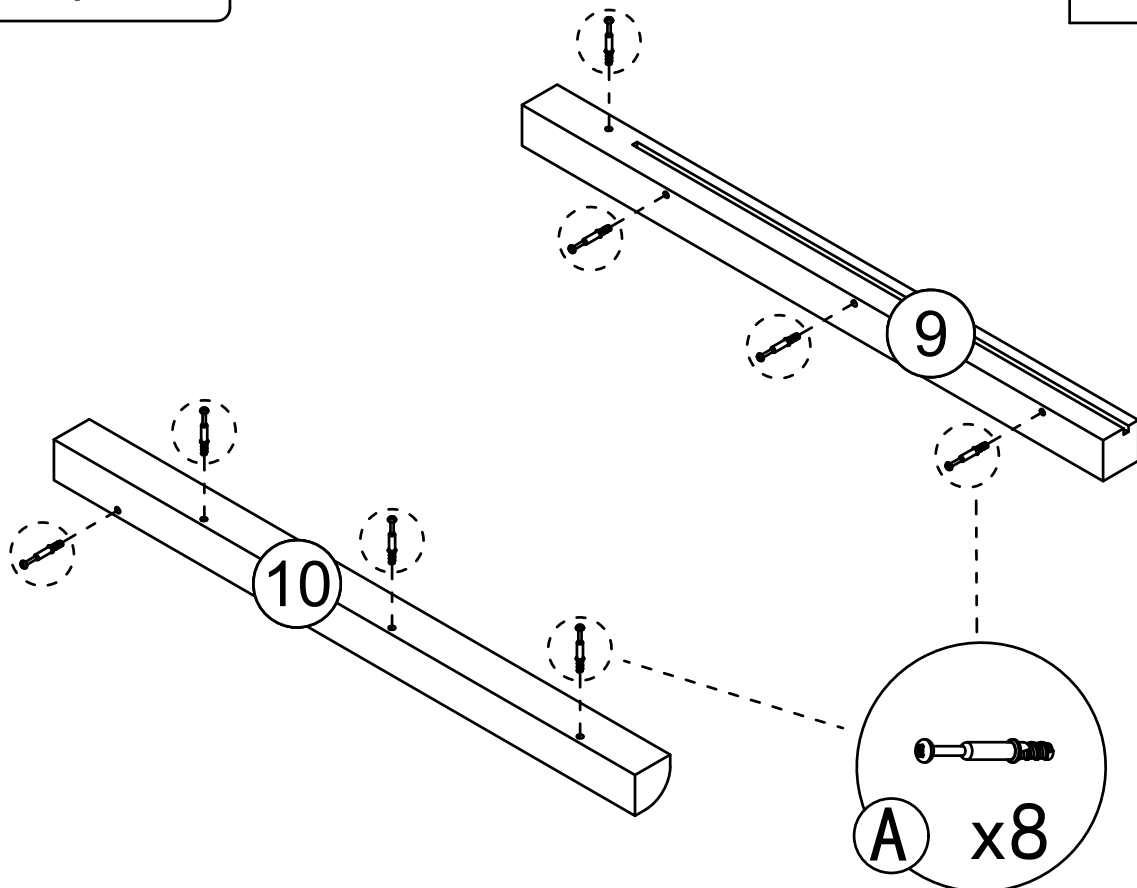
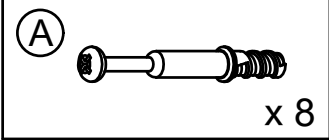
Step 10



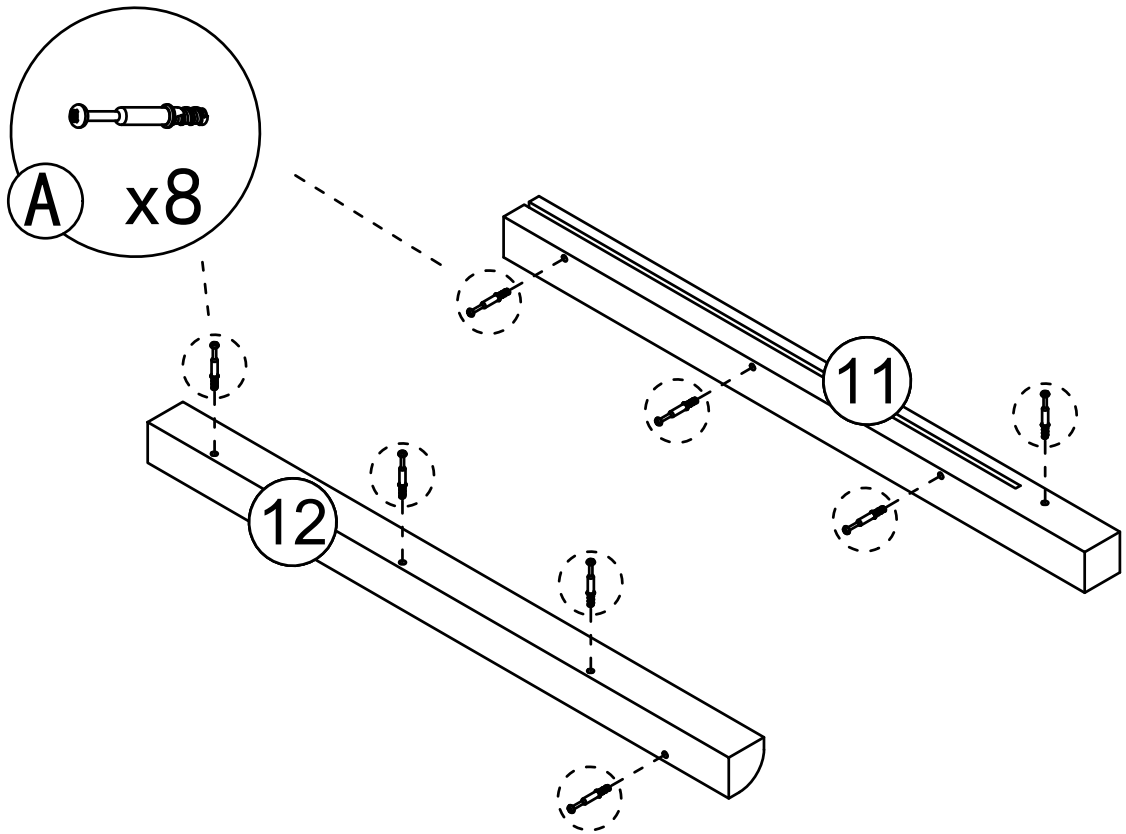
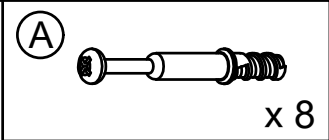
Step 11



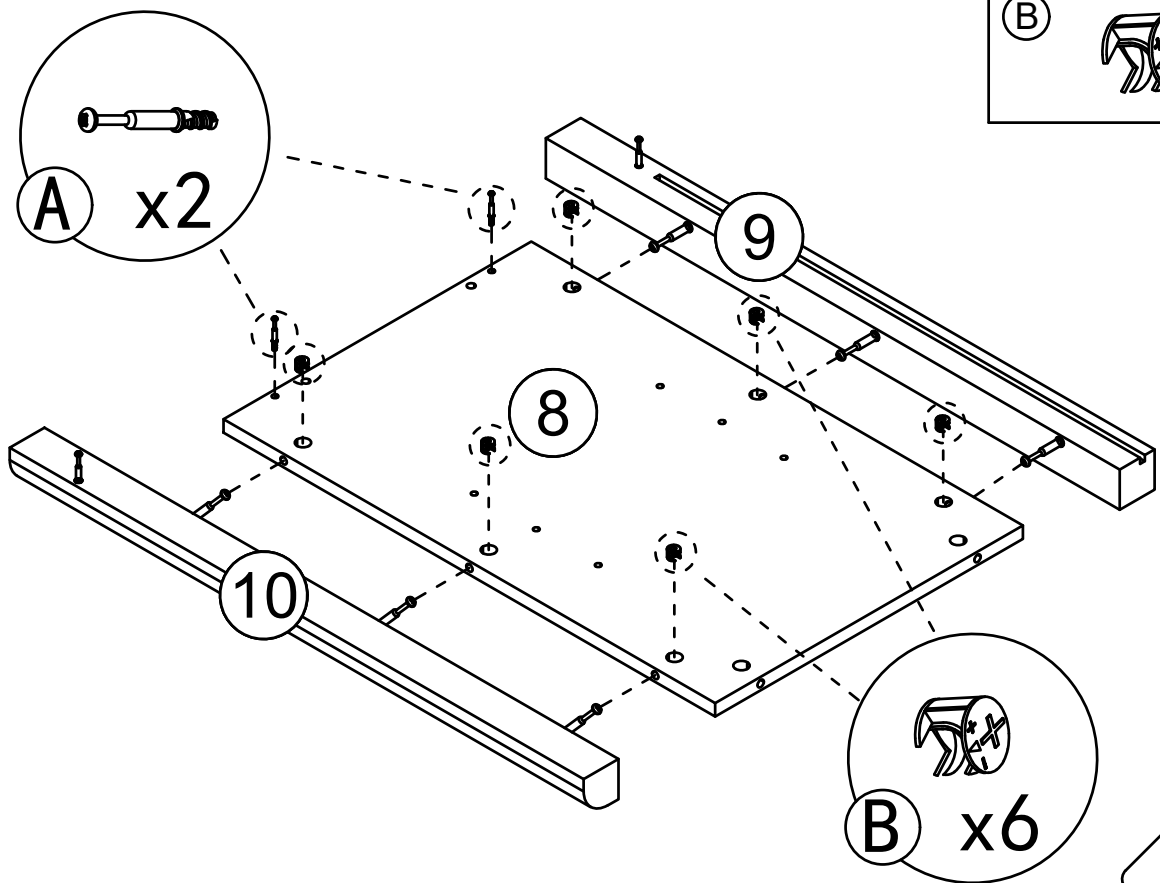
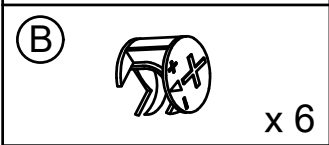
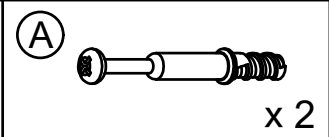
Step 12



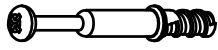

Step 13

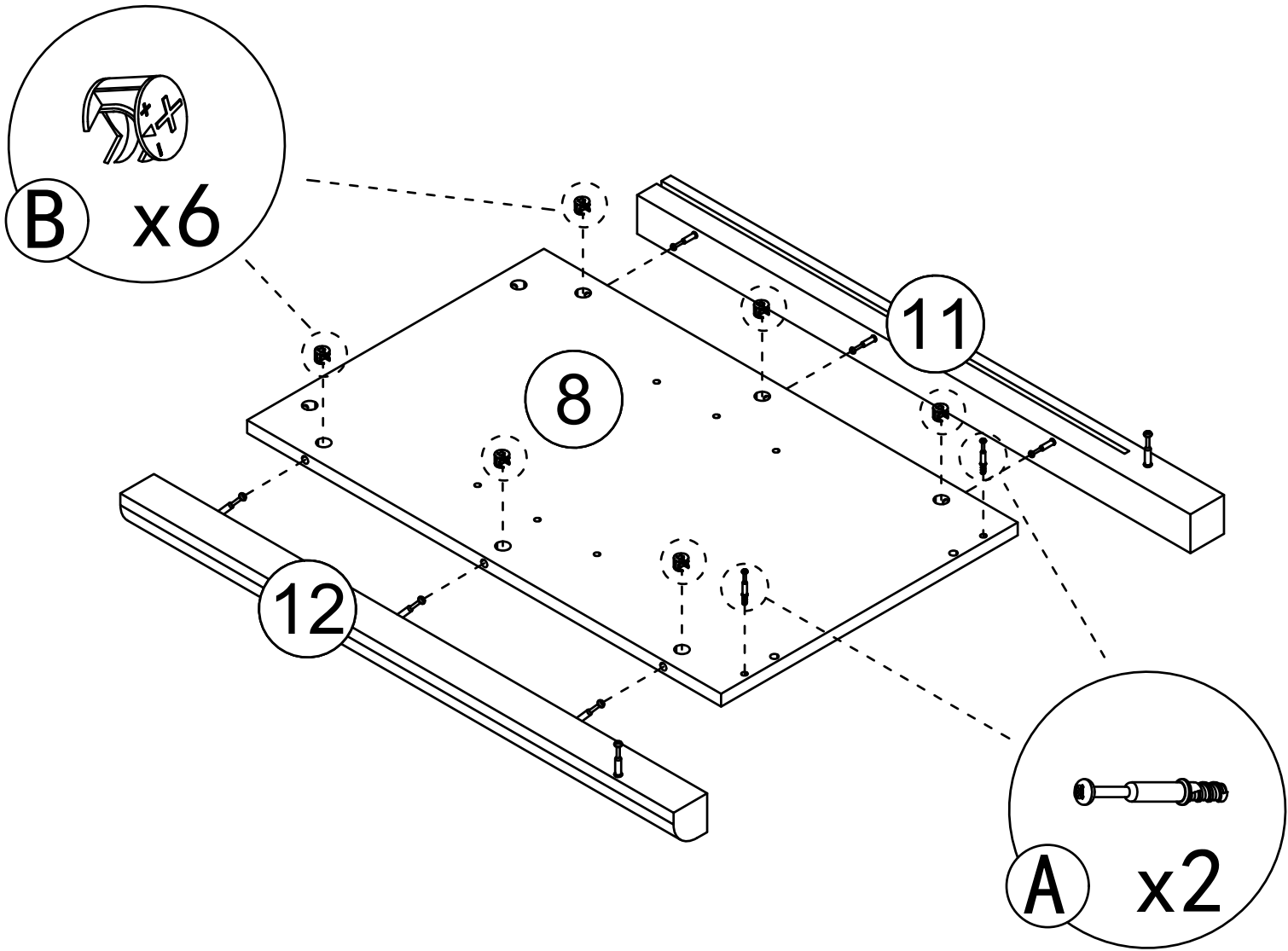


Step 14




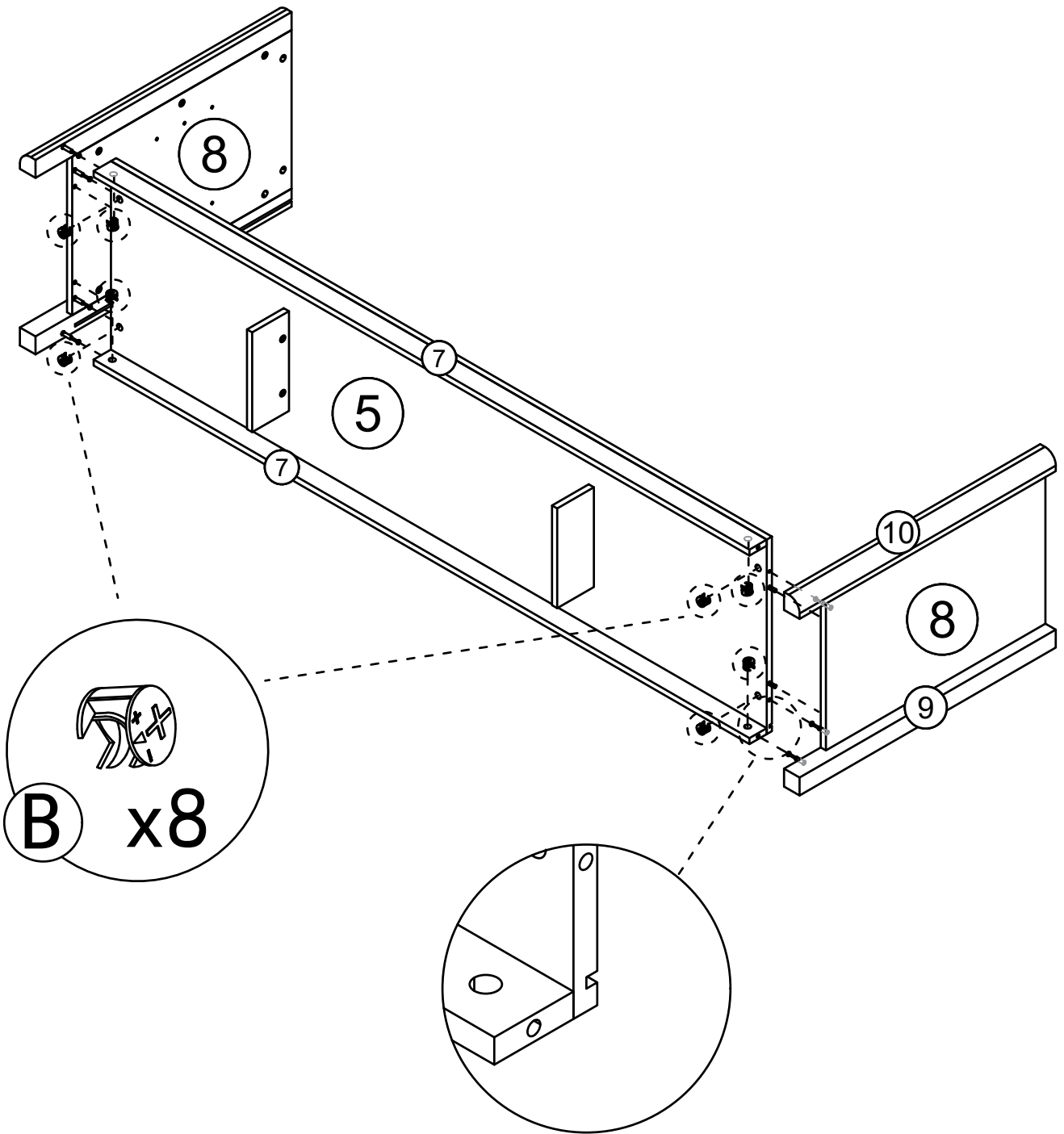
Step 15

- (A)  x 2
- (B)  x 6

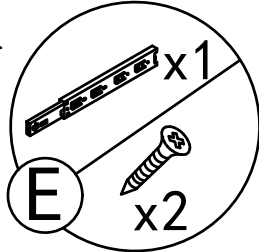
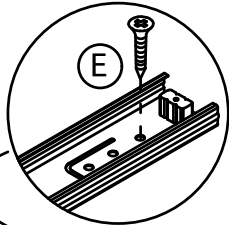
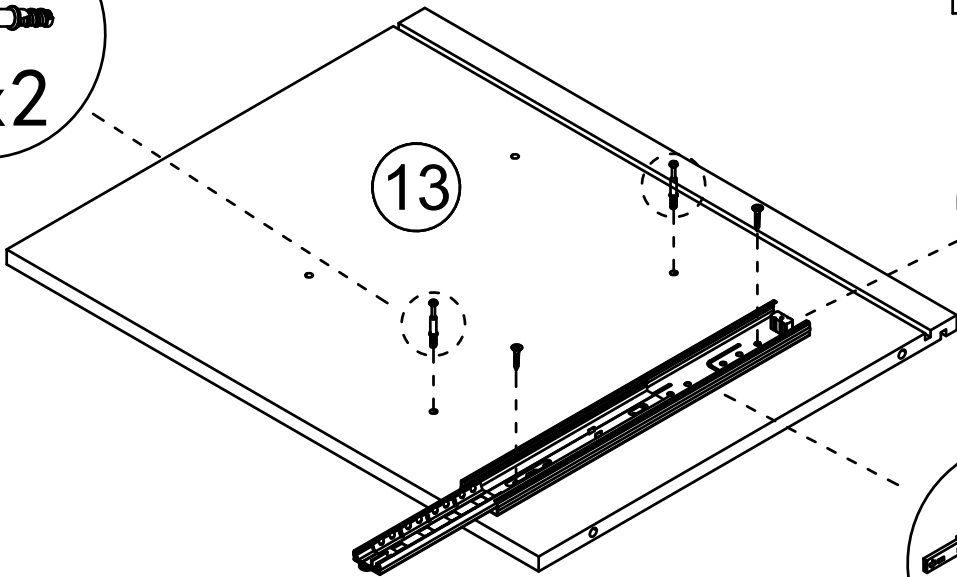
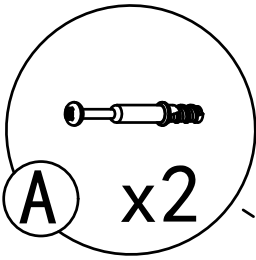
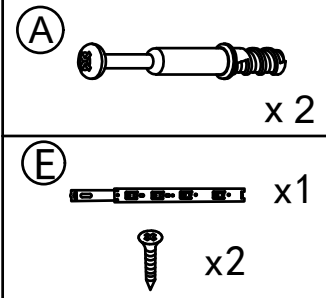
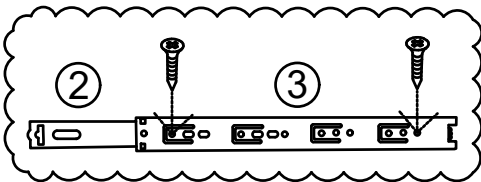


Step 16

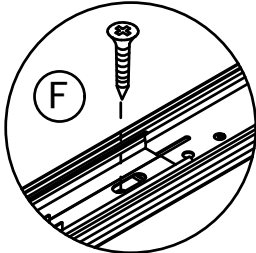
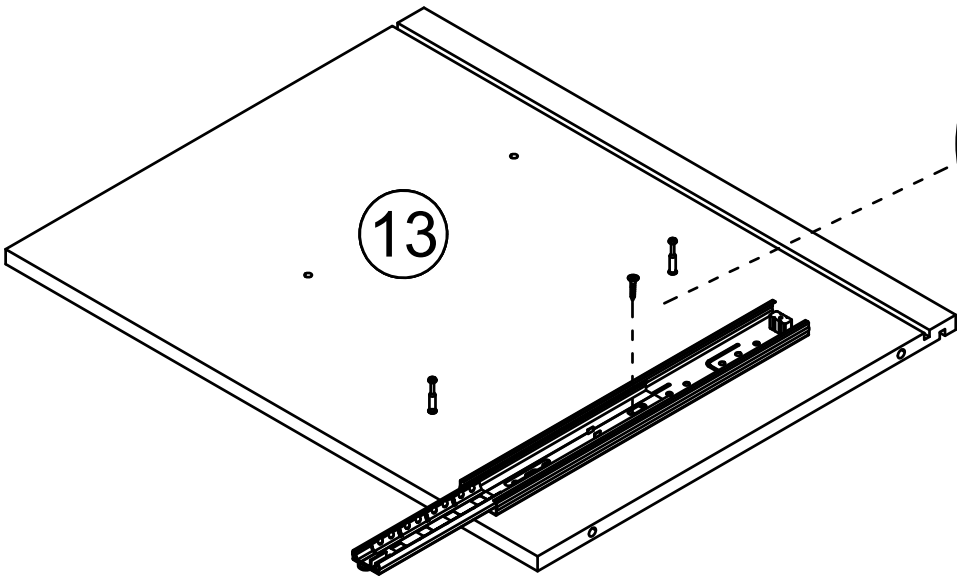
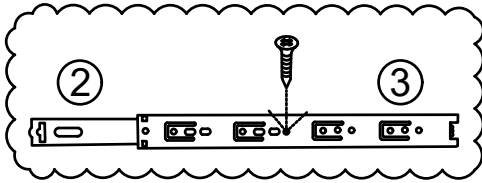
(B)  x 8



Step 17

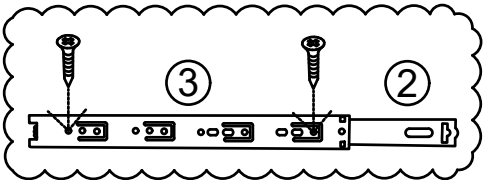


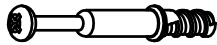


Step 18

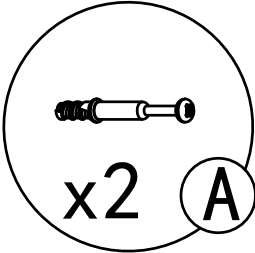
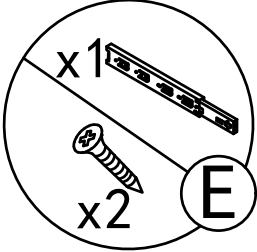
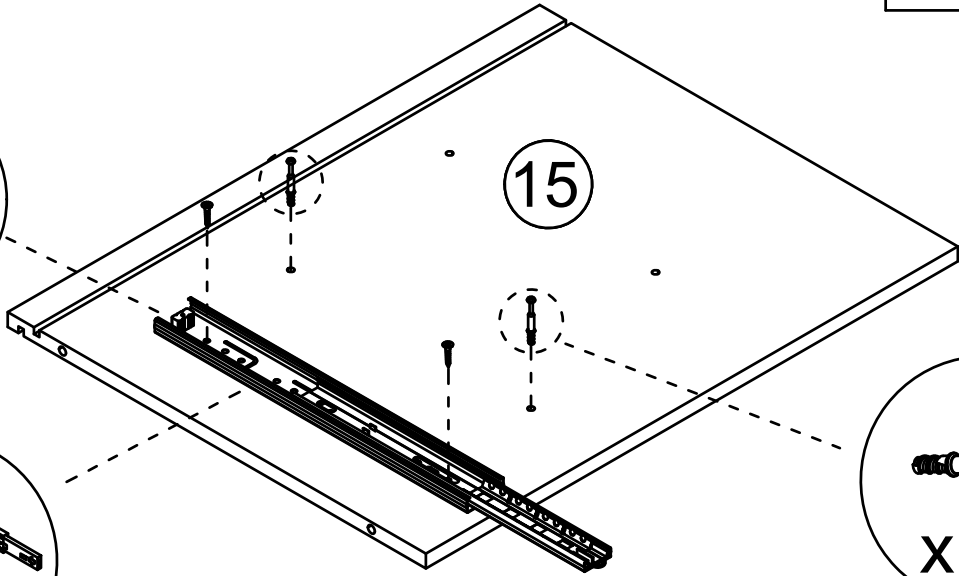
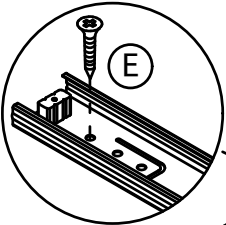


This hole is for strengthening fixed hole customers can choose to install according to their needs.

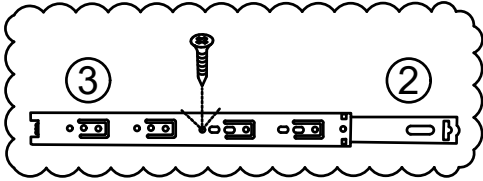
Step 19




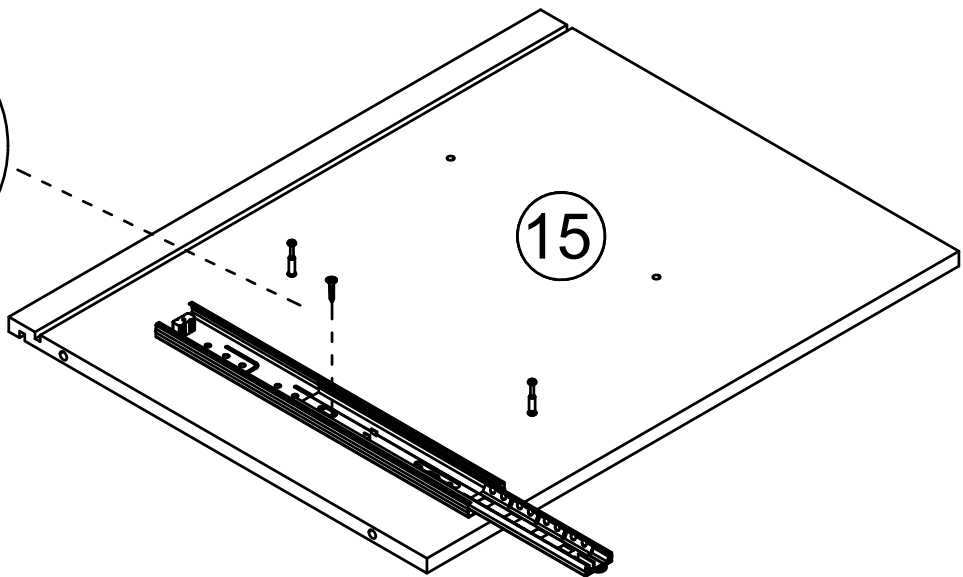
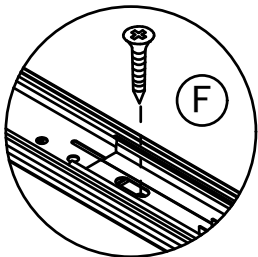
- (A)  x 2
- (E)  x 1
-  x 2



Step 20



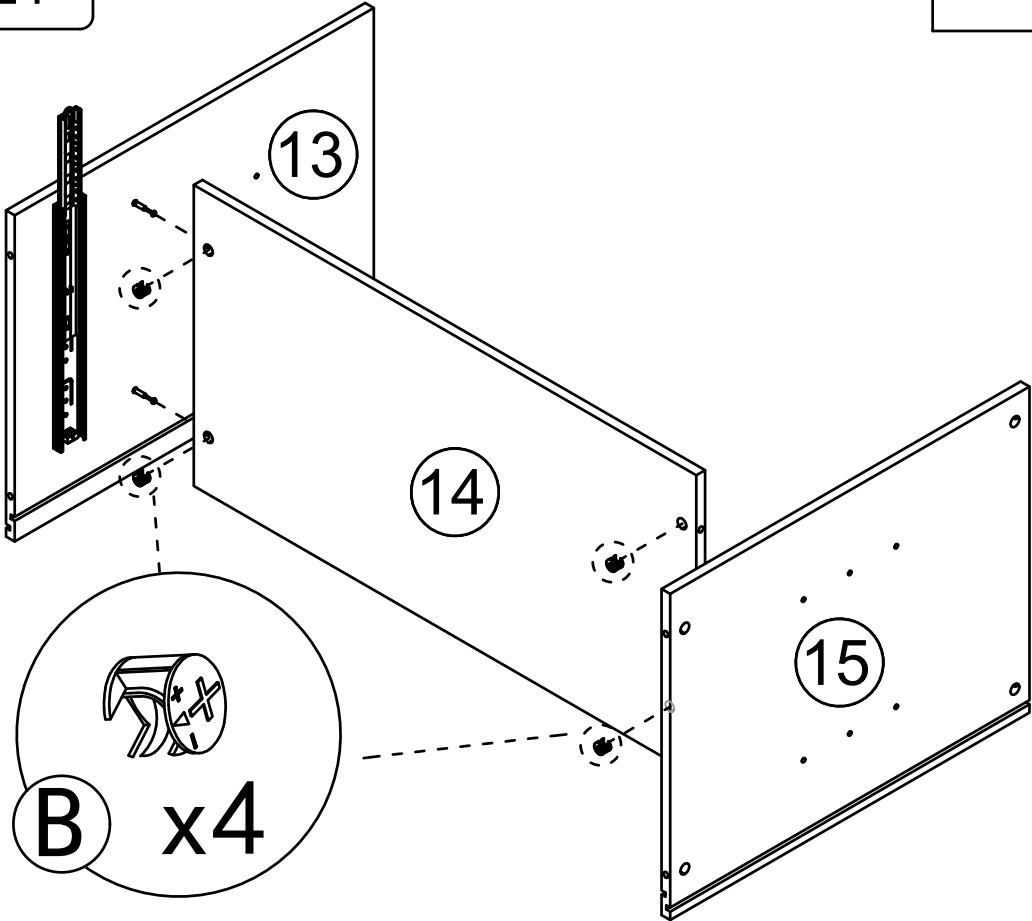
- (E)  x 1



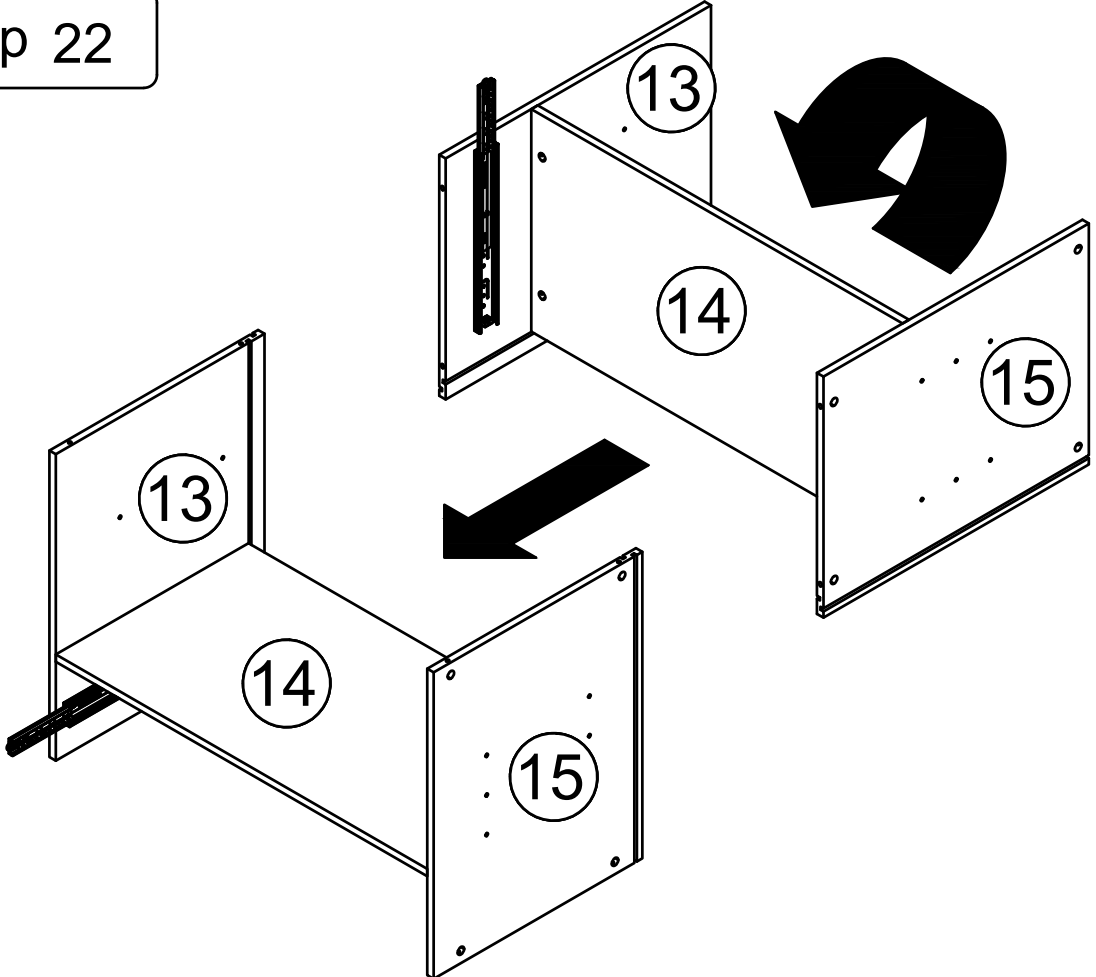
This hole is for strengthening fixed hole customers can choose to install according to their needs.

Step 21


(B)  x 4

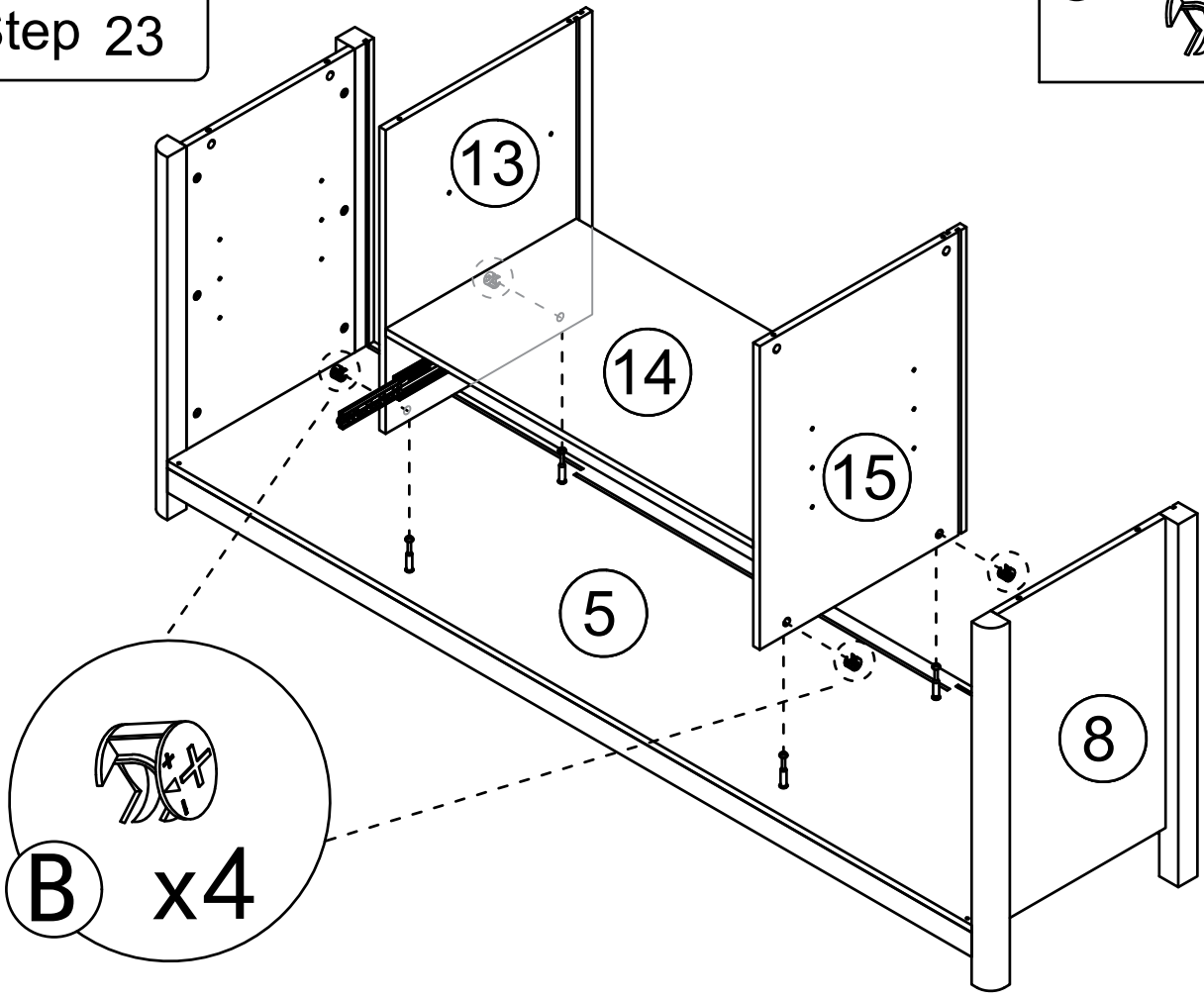


Step 22

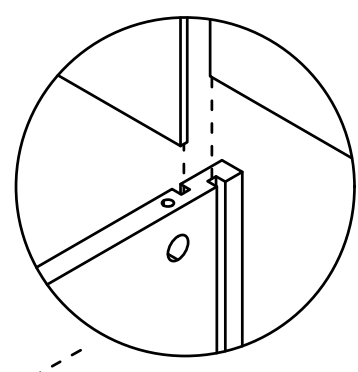
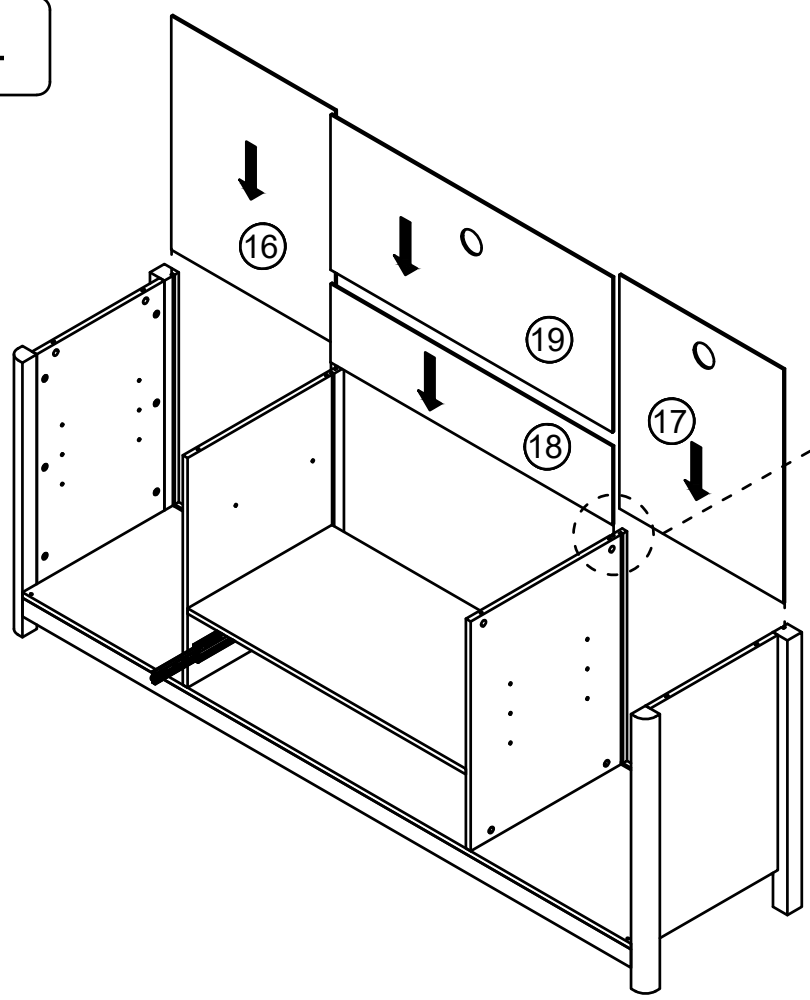


Step 23

(B)  x 4

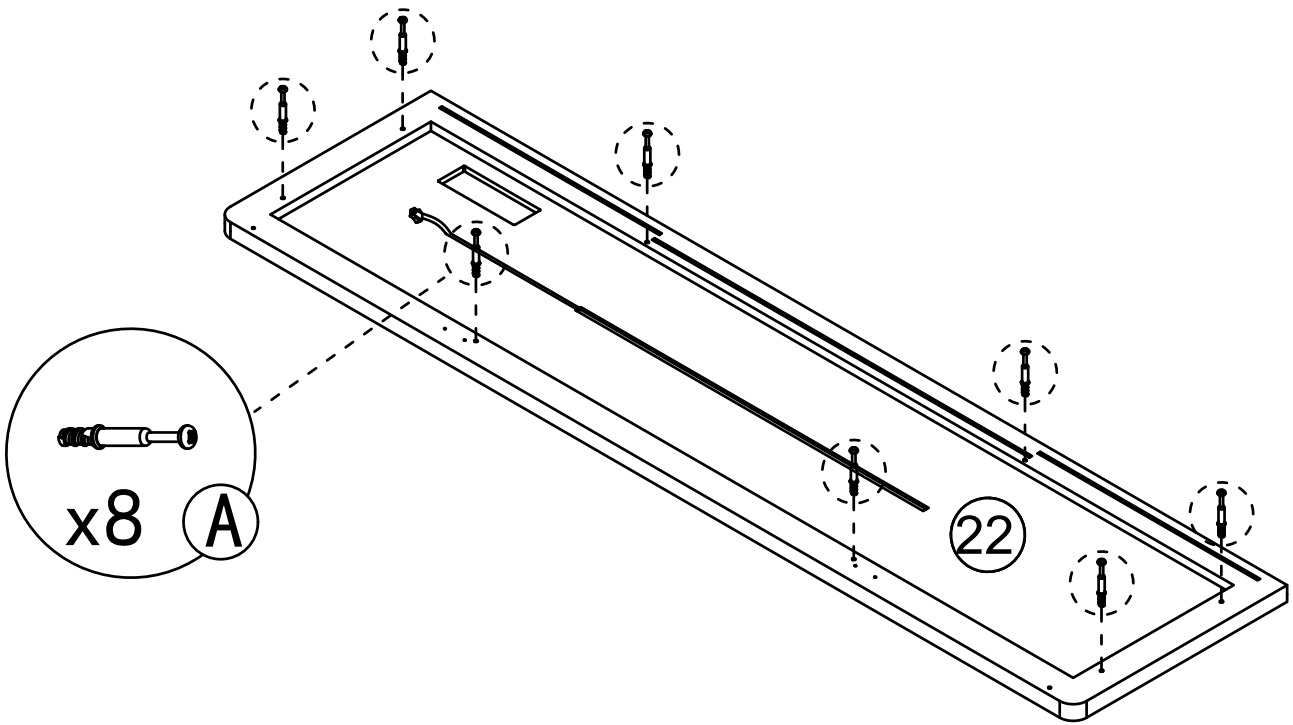
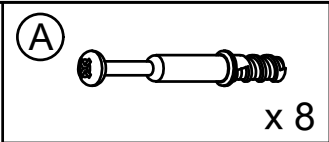


Step 24

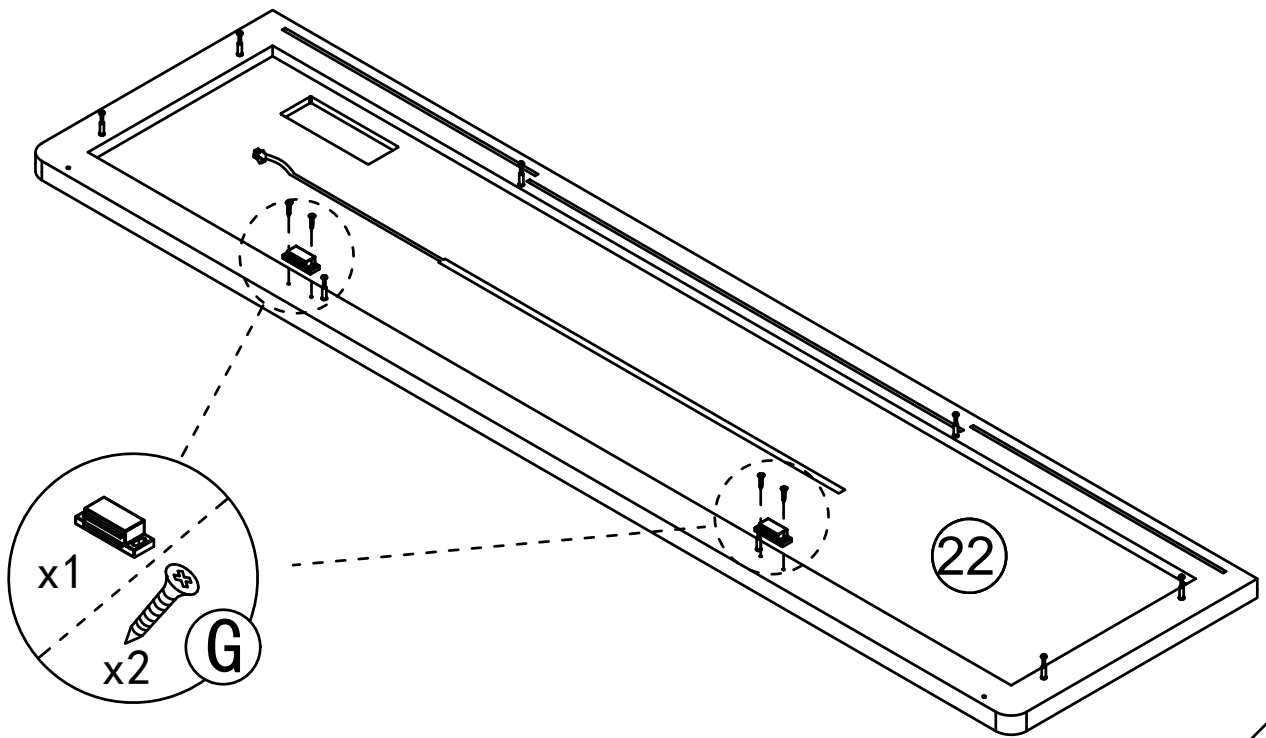
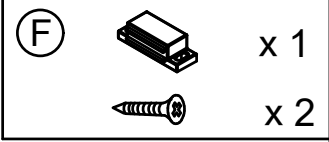


19

Step 25

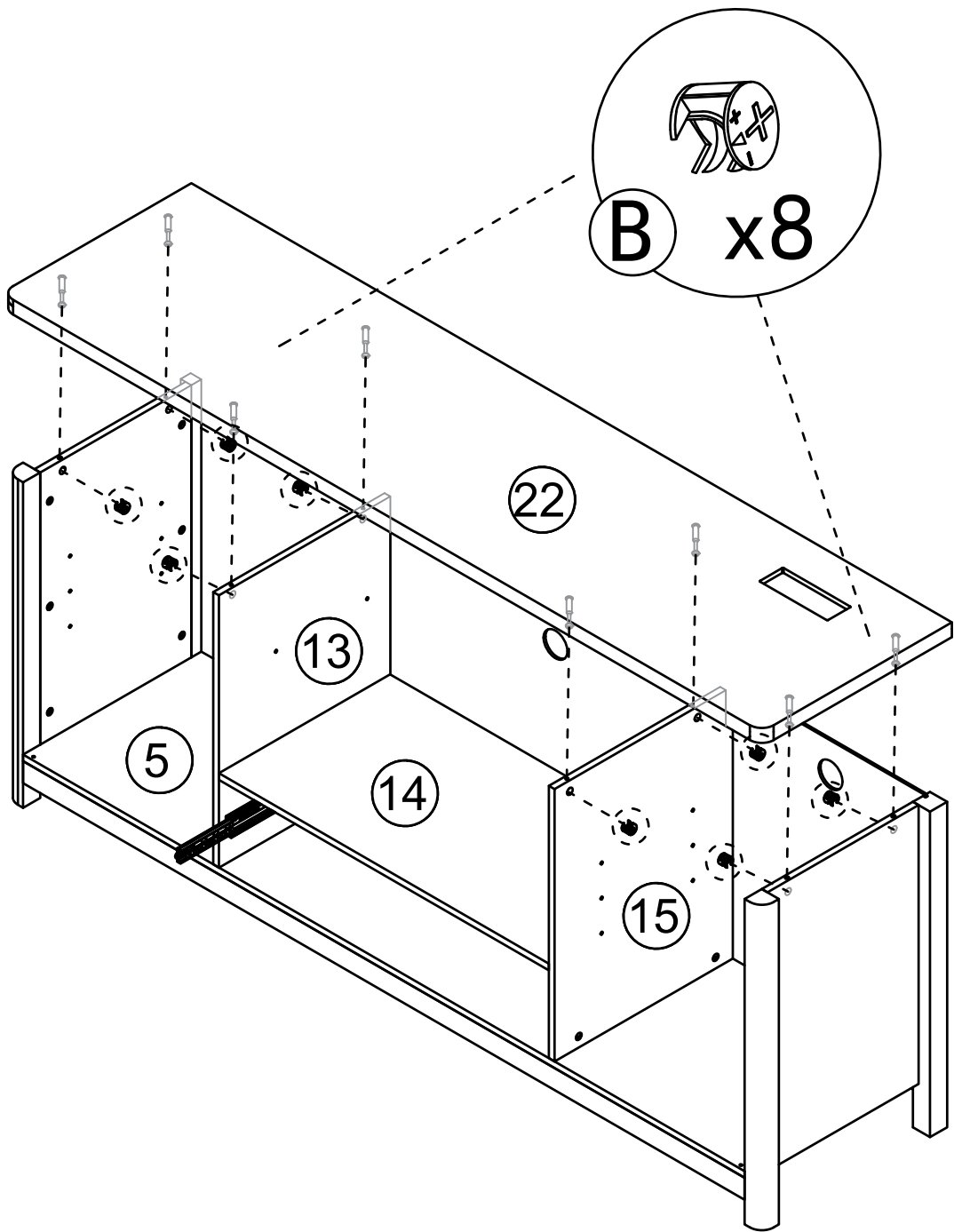


Step 26

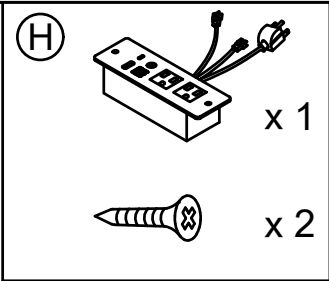


Step 27

Ⓑ x 8

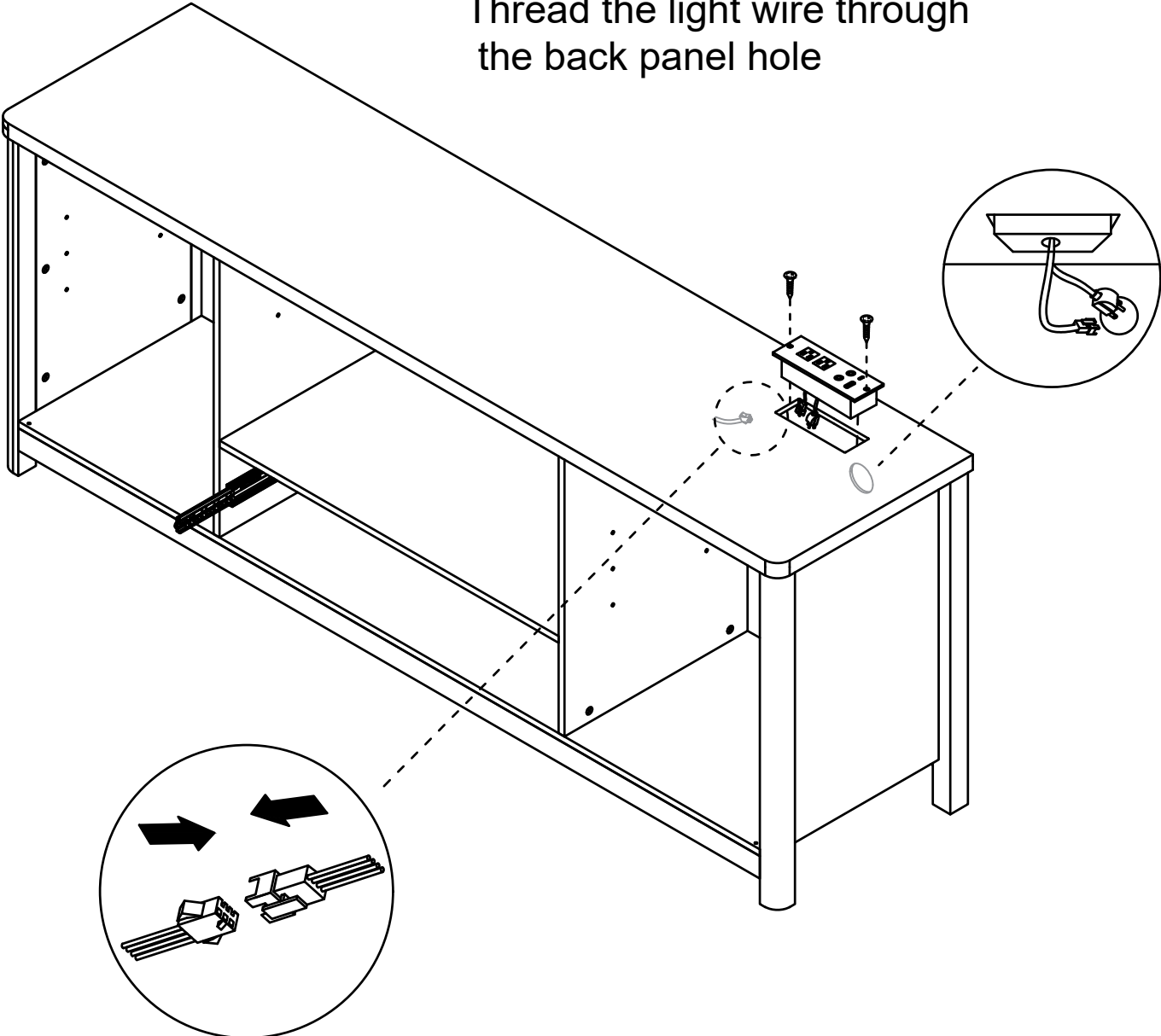


Step 28

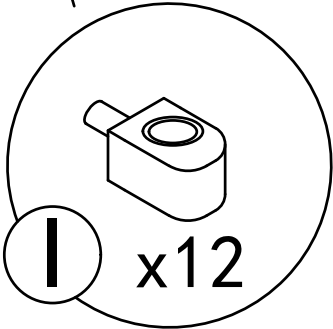
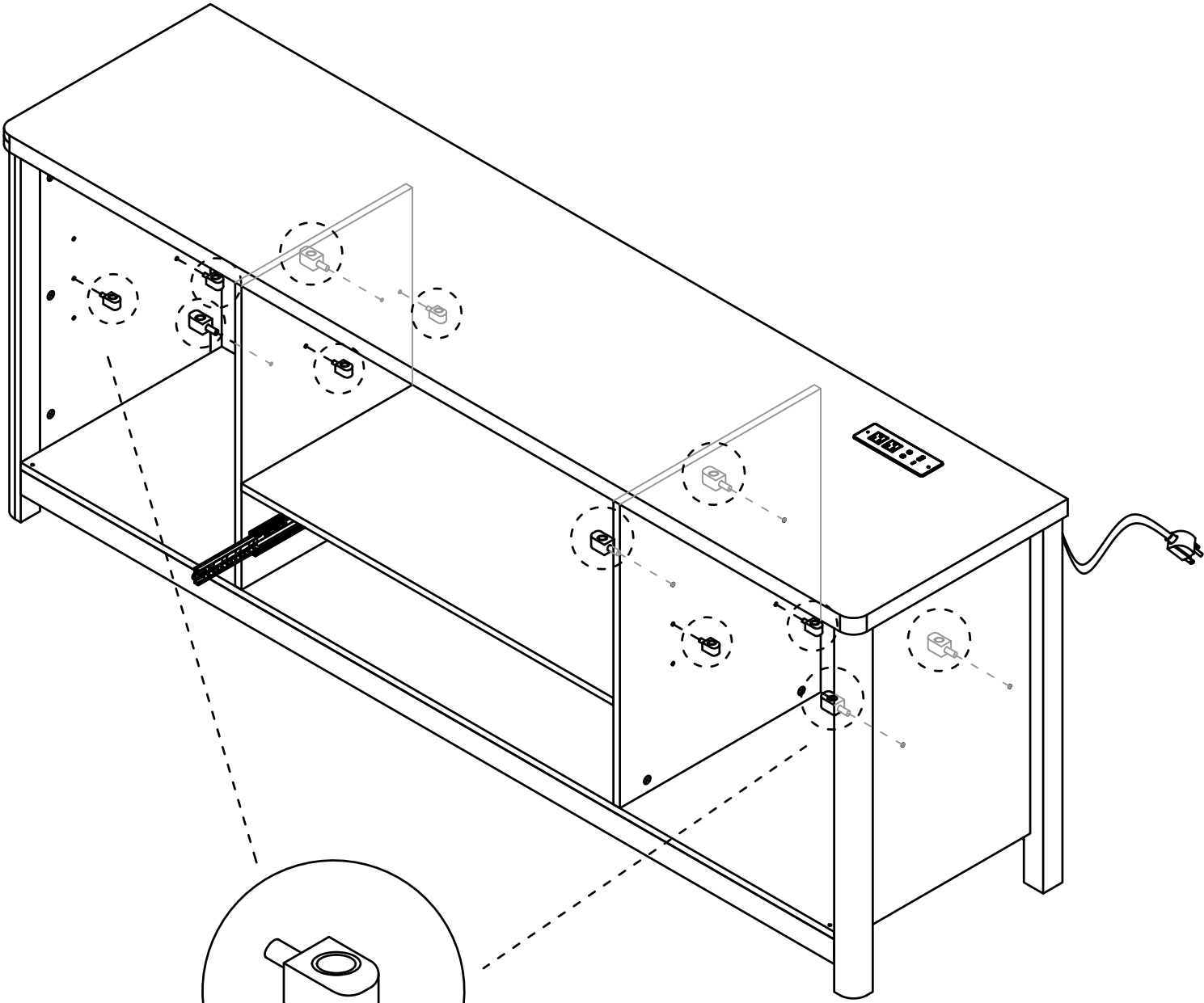
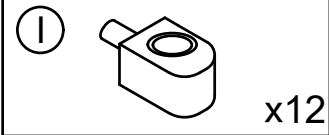


Attention: First, thread the plug and light wire through the holes on the back panel, and then install the power strip

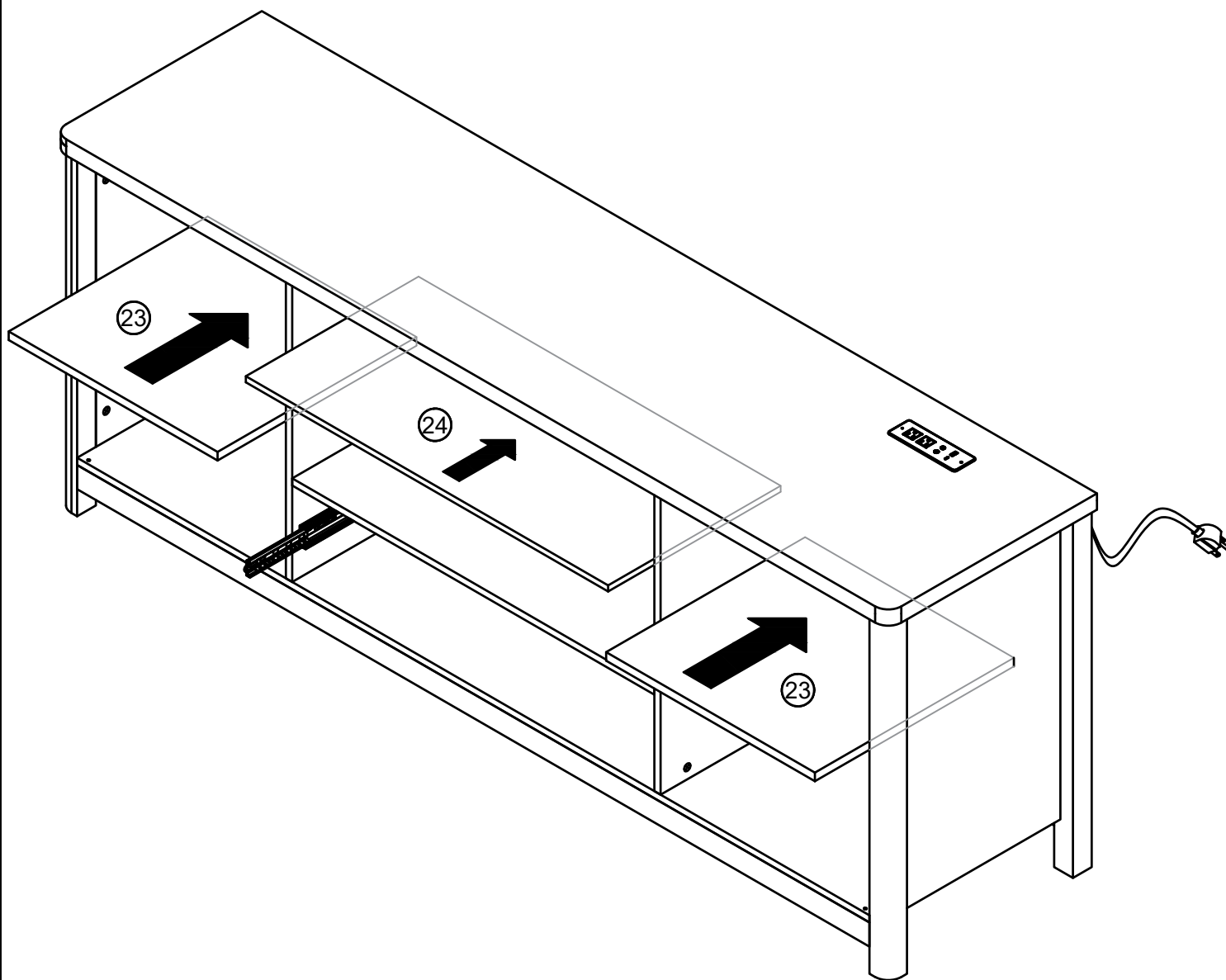
Thread the light wire through the back panel hole



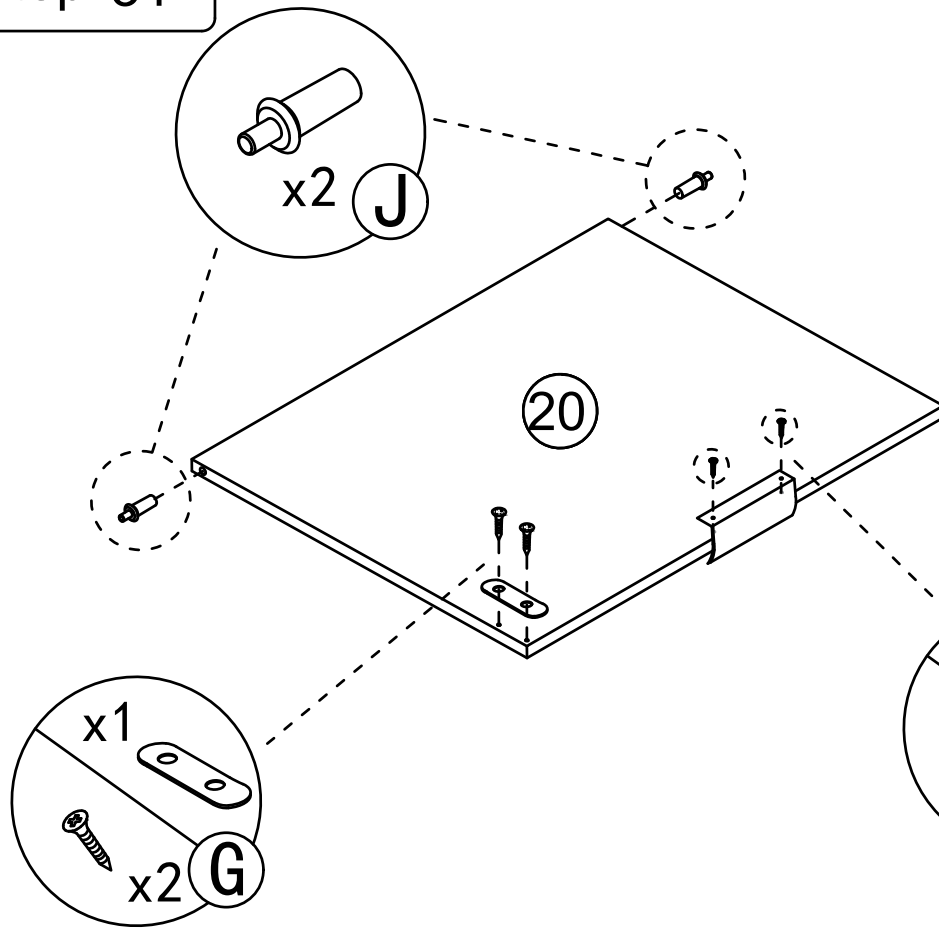
Step 29



Step 30

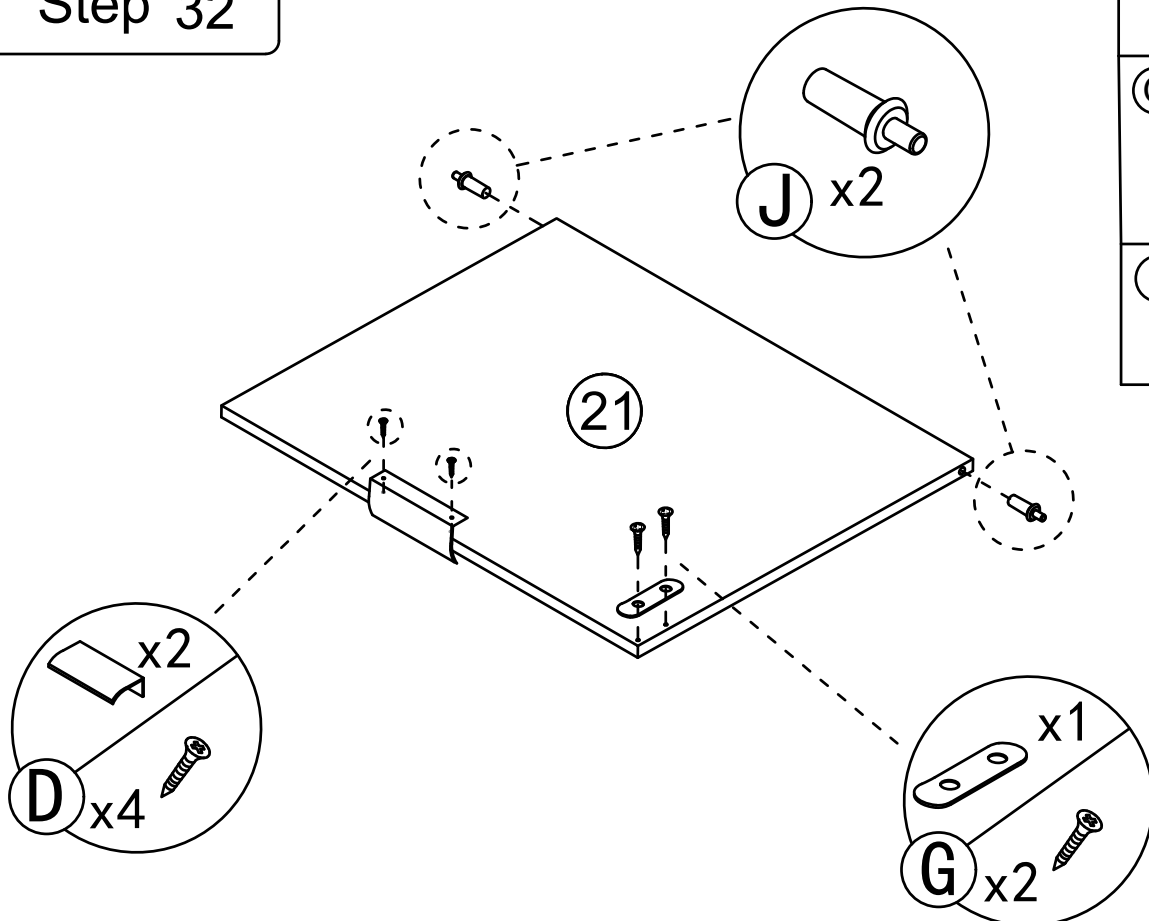


Step 31



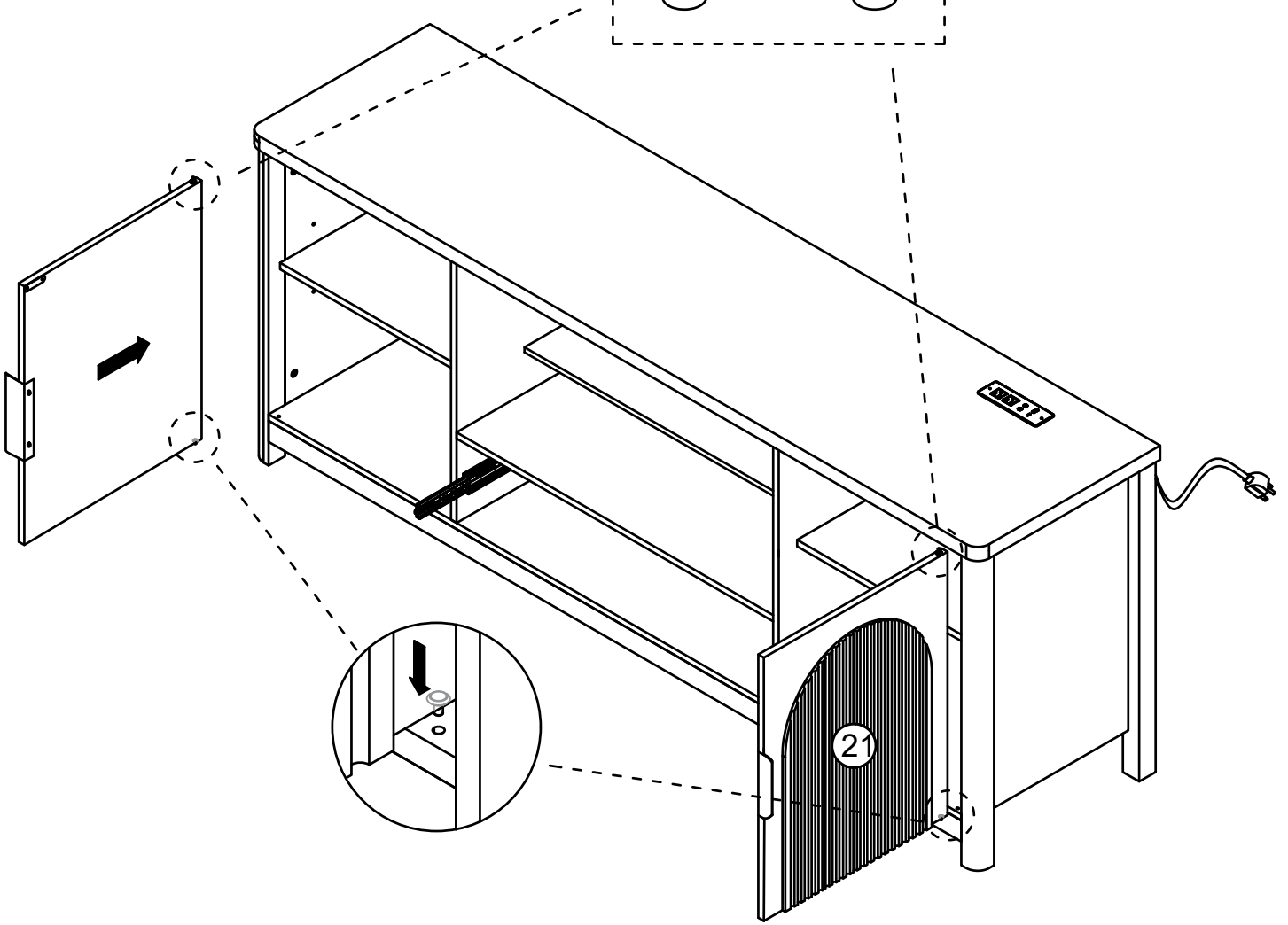
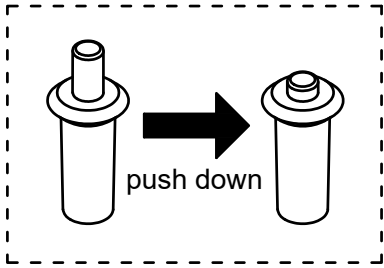
D		x 1		x 2
G		x 1		x 2
J		x 2		

Step 32

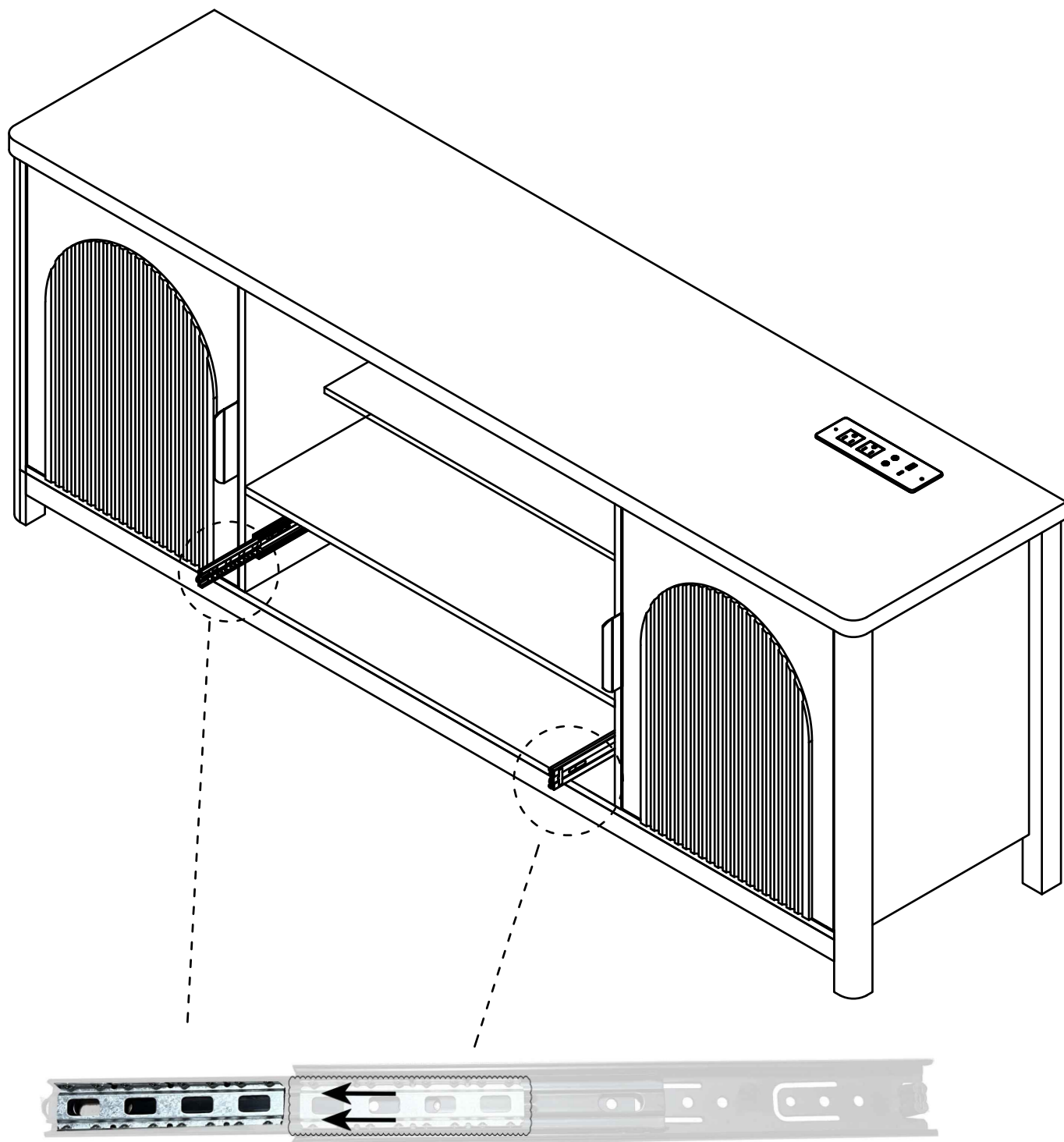


D		x 1		x 2
G		x 1		x 2
J		x 2		

Step 33

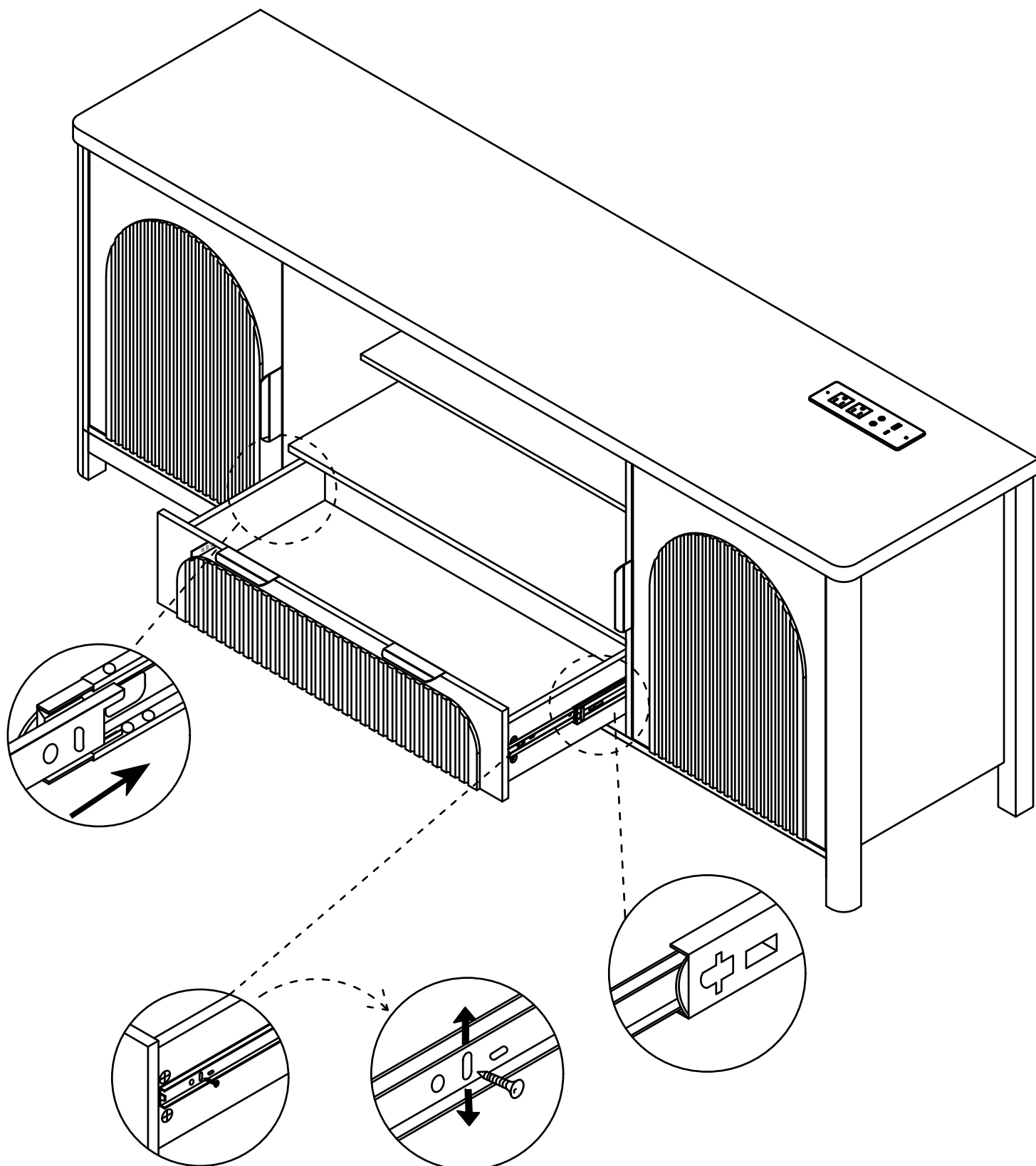


Step 34



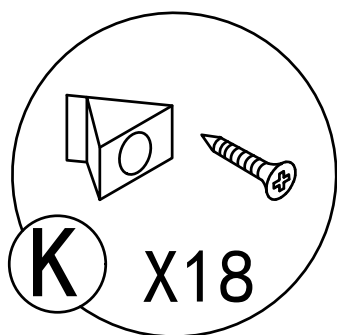
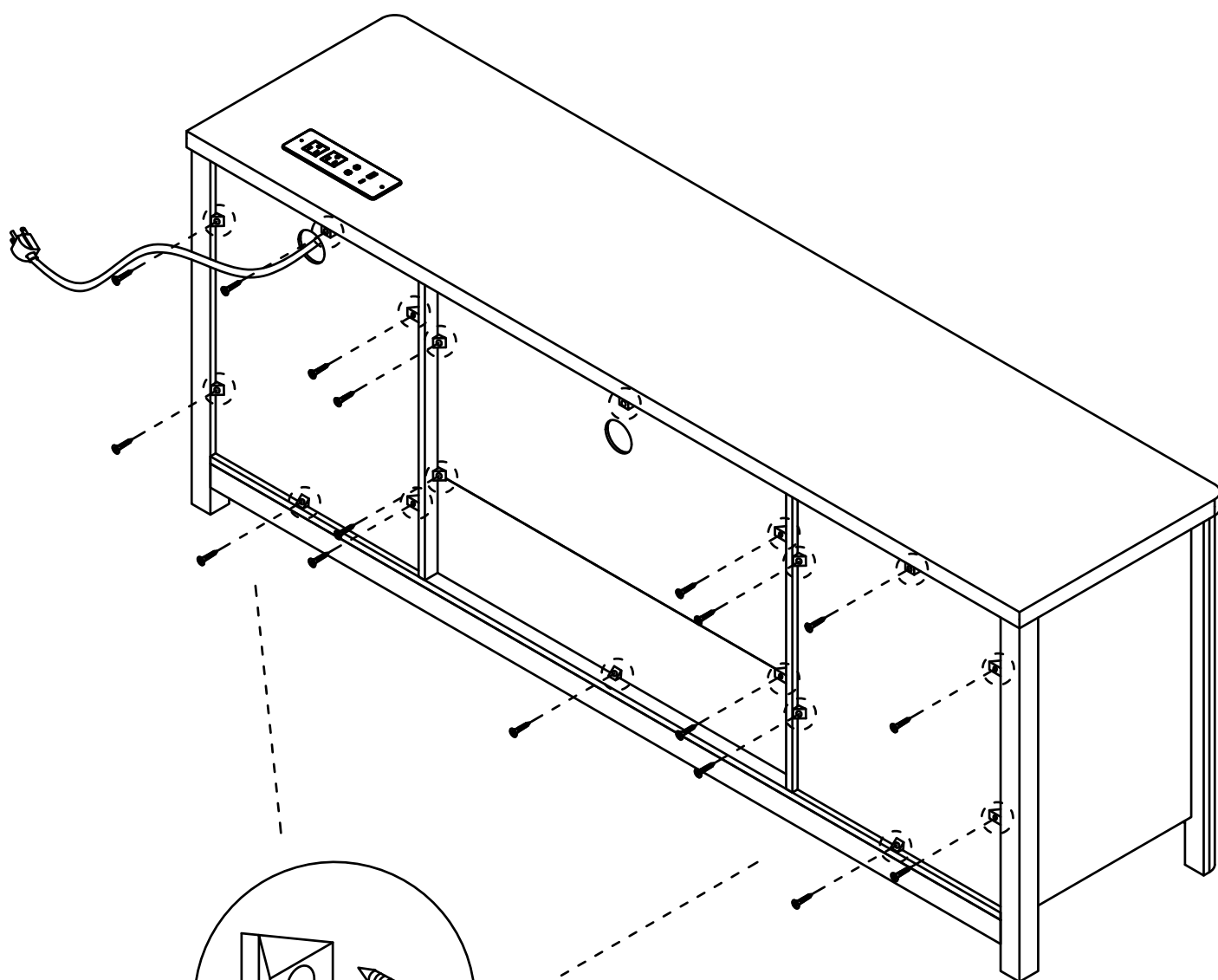
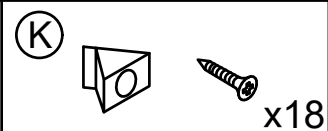
As shown, When installing the drawer,
pull the guide rail out first, Slide beads are also pulled out.

Step 35



If a large gap is found after installing the drawer the slide rail can be moved up and down to adjust the gap

Step 36



Step 37

Wall

