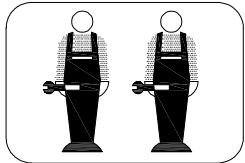
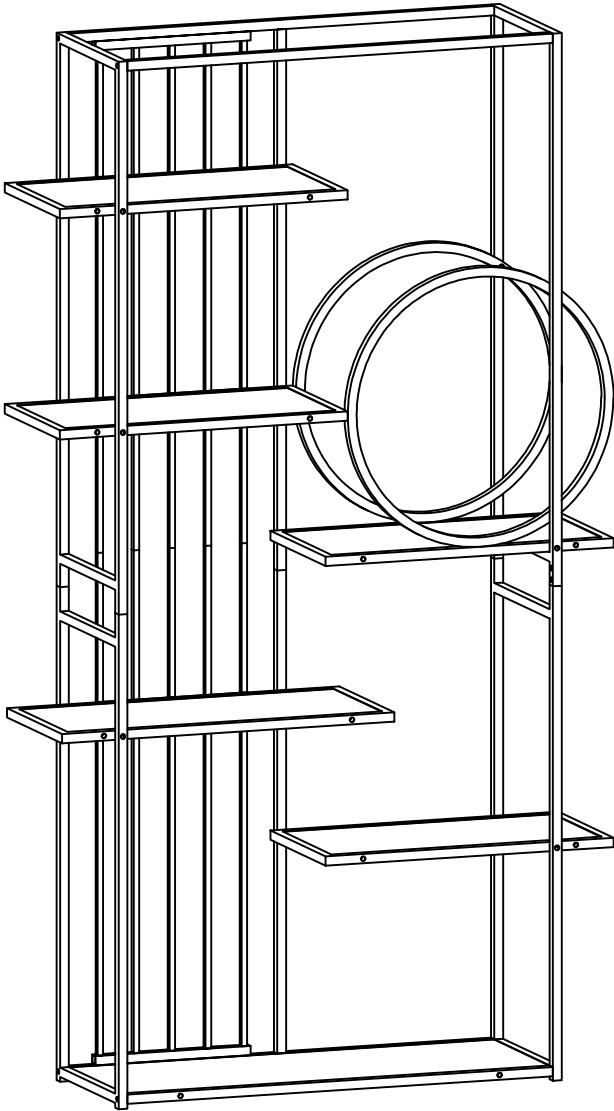
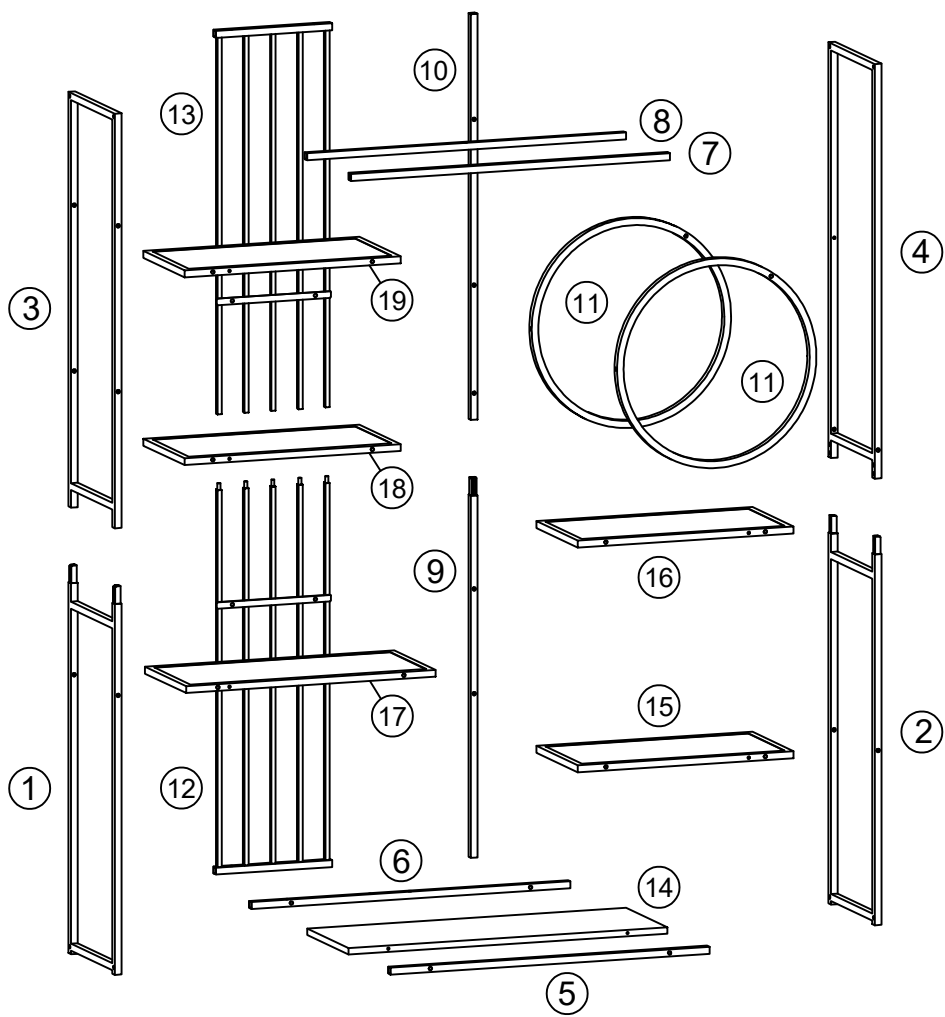
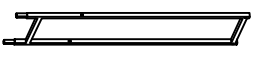
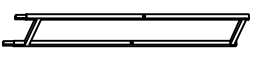
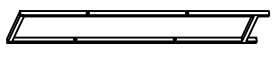







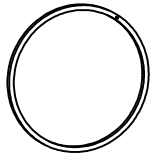
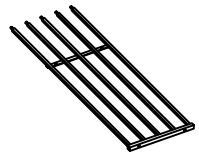









ASSEMBLY INSTRUCTIONS

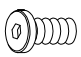
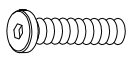
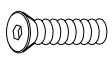

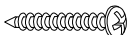








Part List

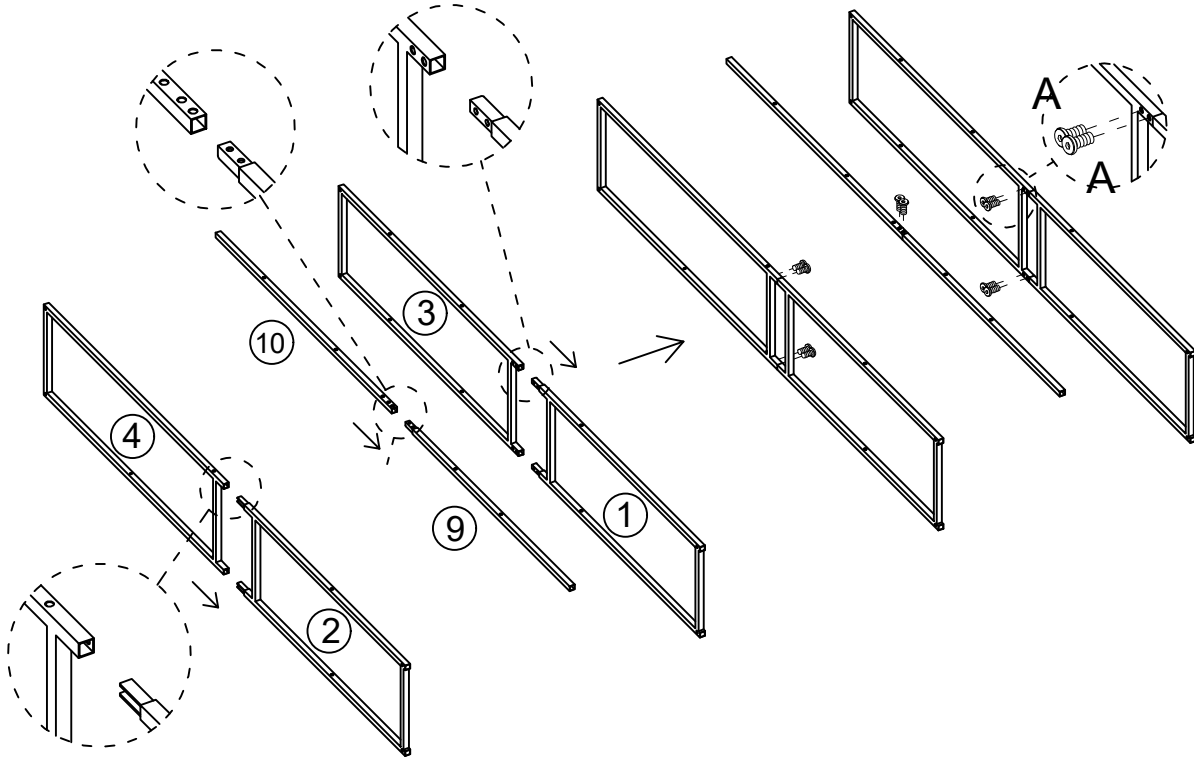
			
①×1pc	②×1pc	③×1pc	④×1pc
			
⑤×1pc	⑥×1pc	⑦×1pc	⑧×1pc
			
⑨×1pc	⑩×1pc	⑪×2pcs	⑫×1pc
			
⑬×1pc	⑭×1pc	⑮×1pc	⑯×1pc
			
⑰×1pc	⑱×1pc	⑲×1pc	

Hardware List


A	X14	B	X29	C	X6	D	X4
							
M6X12mm		M6X30mm		M6X28mm		φ7X40mm	
E	X2	F	X1	G	X2	H	X2
							
4*35mm		M4		φ6*30mm			

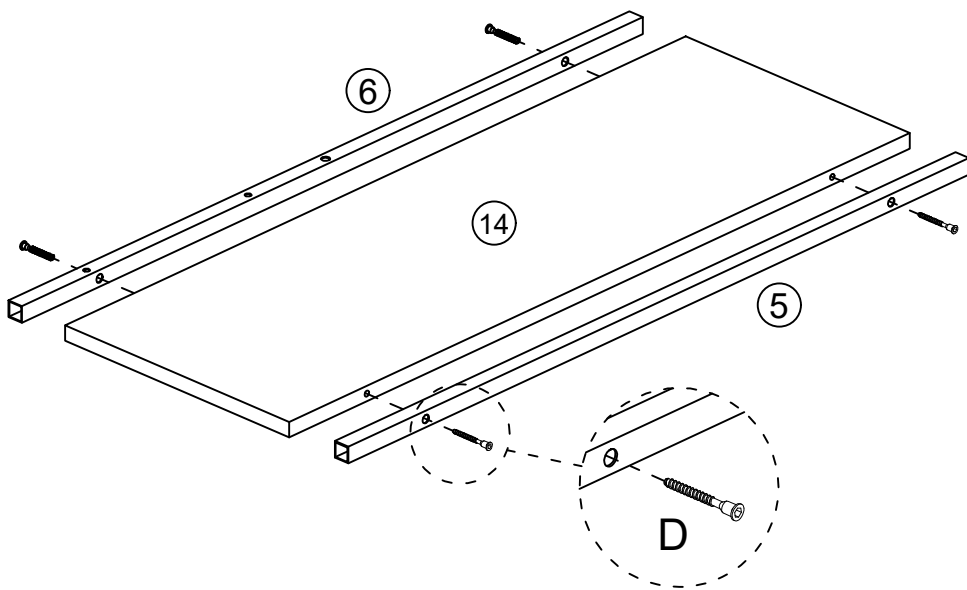
Step 1

A	X10
	
M6X12mm	

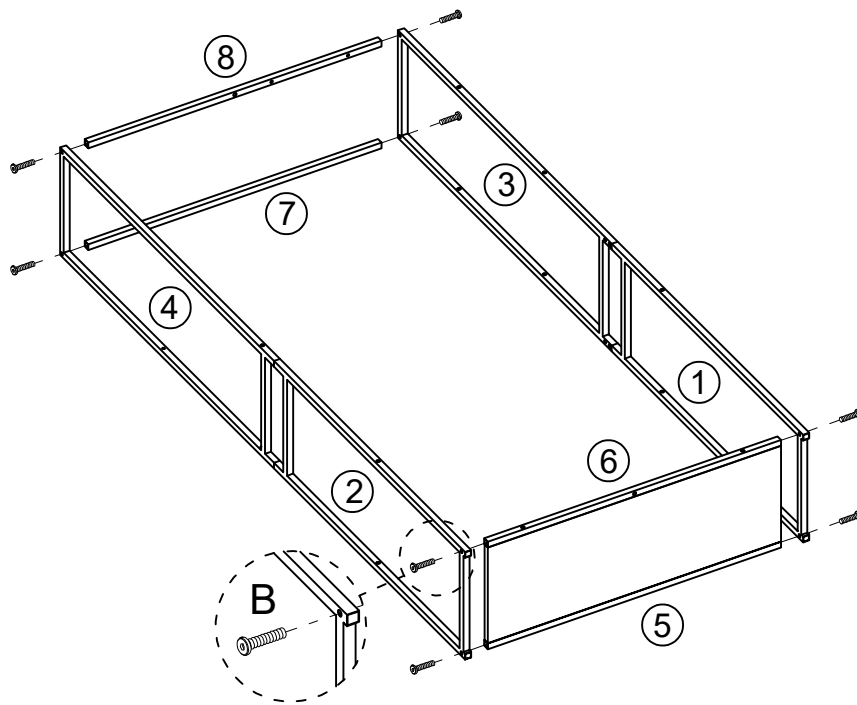



Step 2

D	X4
	
φ7X40mm	

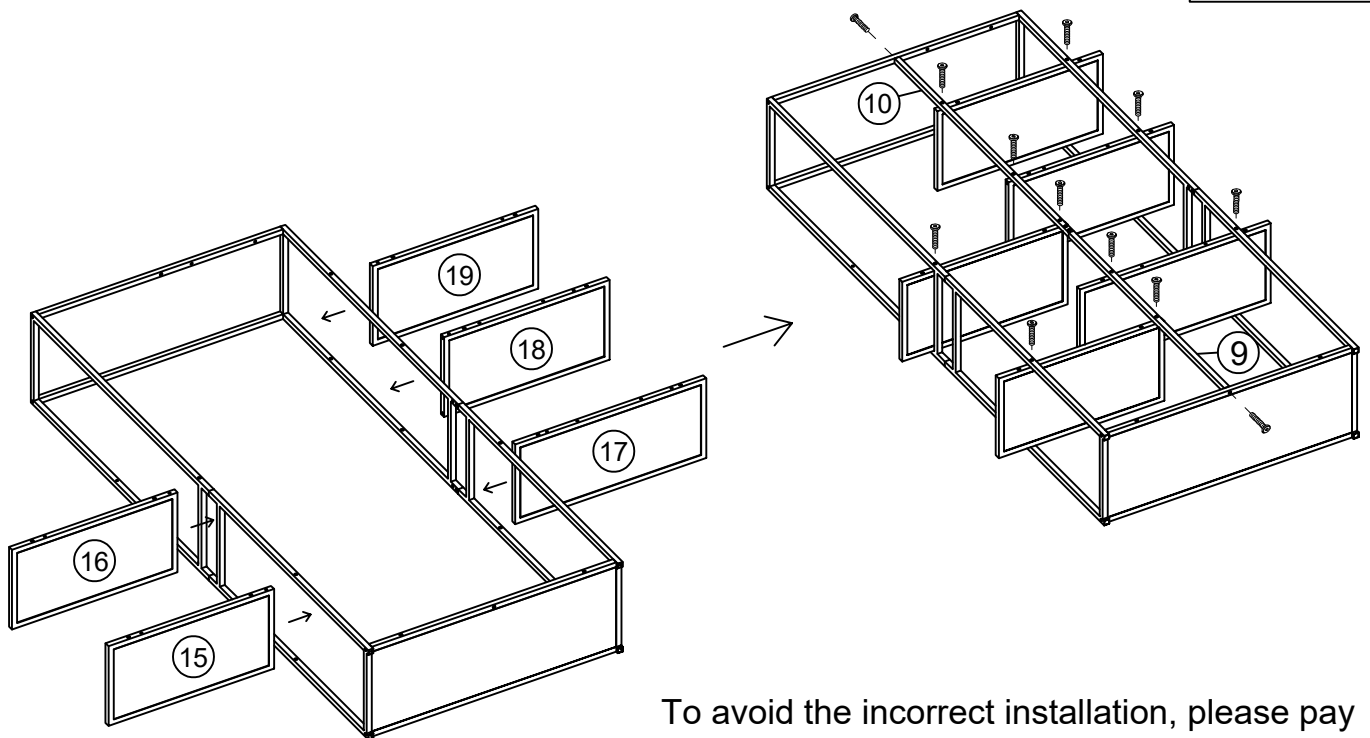


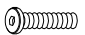
Step 3



B	X8
	
M6X30mm	



Step 4

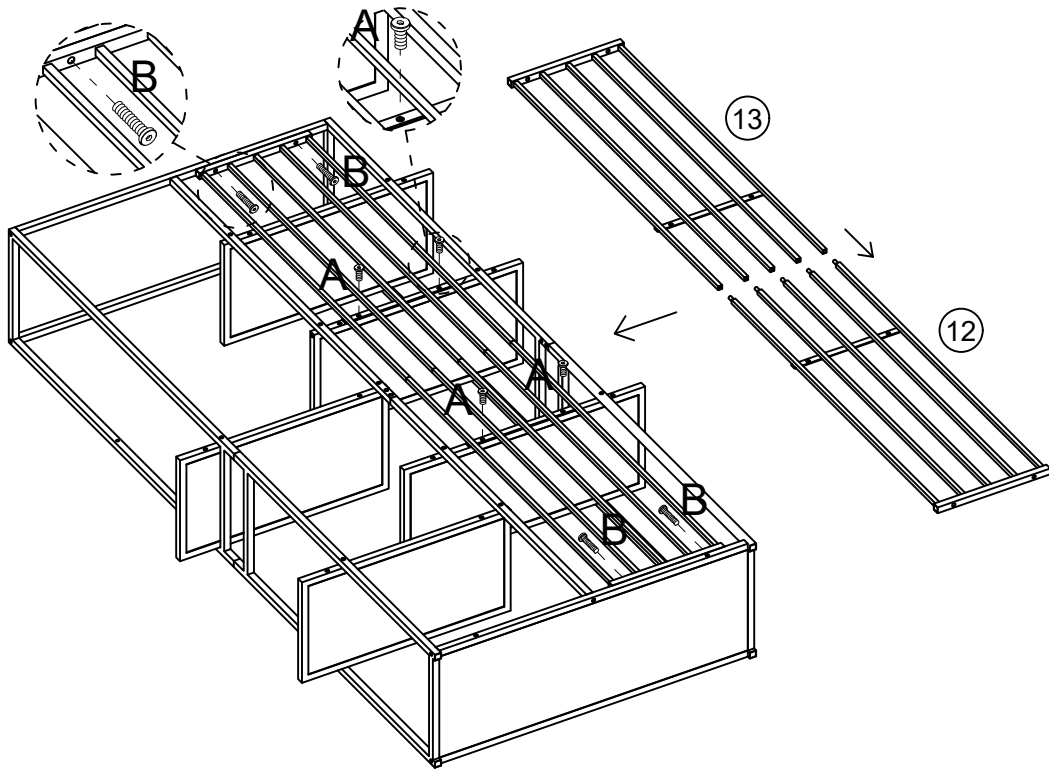


B	X12
	
M6X30mm	

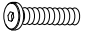
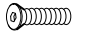
To avoid the incorrect installation, please pay attention to the number of the holes on the parts 15,16,17,18,19, on the front side

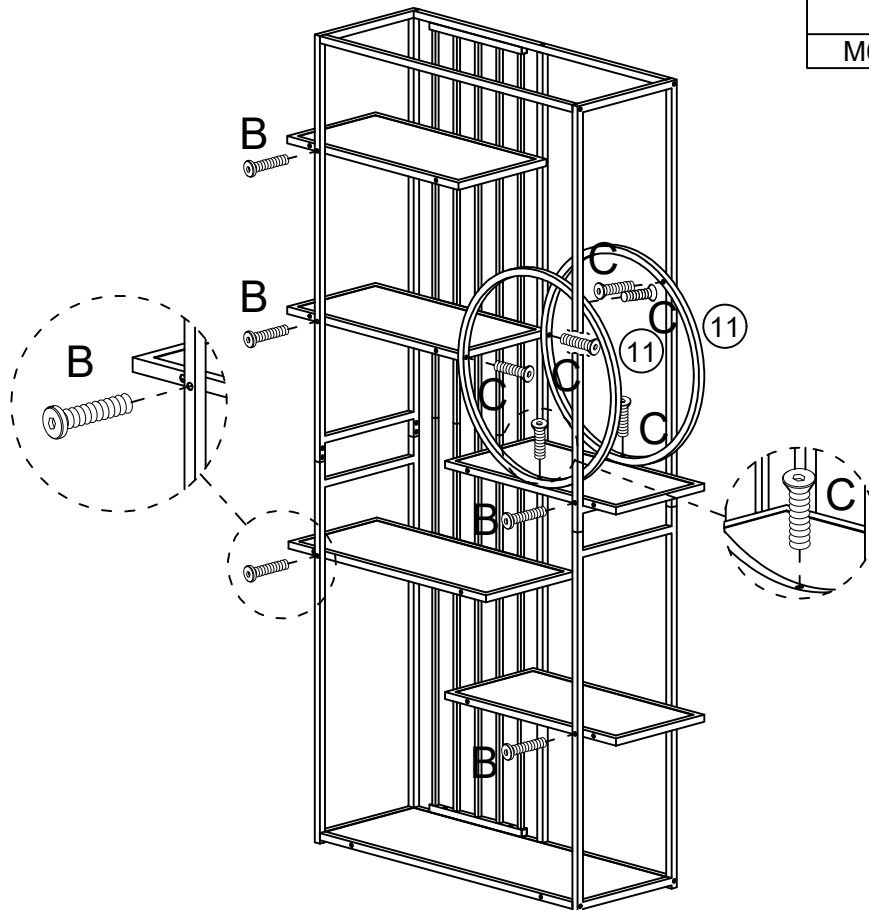
Step 5

A	X4	B	X4
			
M6X12mm		M6X30mm	

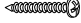




Step 6

B	X5	C	X6
			
M6X30mm		M6X28mm	



Step 7

E	X2	G	X2	H	X2
					
4*35mm		φ6*30mm			

