

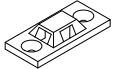




ASSEMBLY INSTRUCTIONS

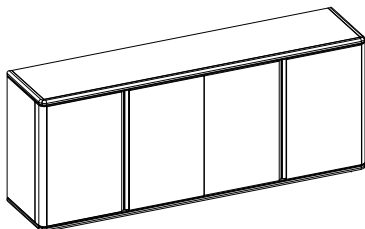
36000011

HARDWARE

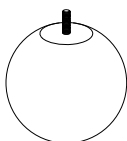
A x 2	B x 2	C x 2	D x 2	E x 1
				
38 mm	19 mm	20 X 47 mm		

PARTS

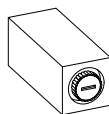
[1] x 1



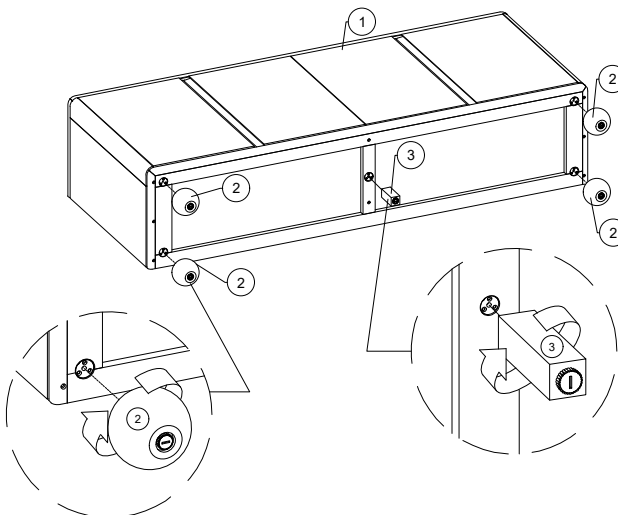
[2] x 4




[3] x 1



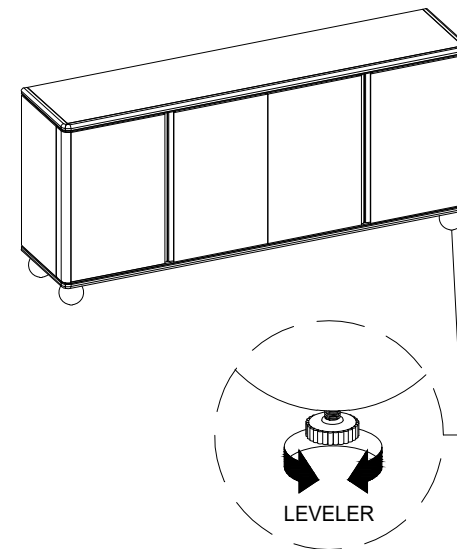
(1) **⚠ CAUTION** : Due to the weight of this item, two people are recommended for safe lifting and assembly.



 Assemble on a clean non-marring surface (such as the product's packing foam)

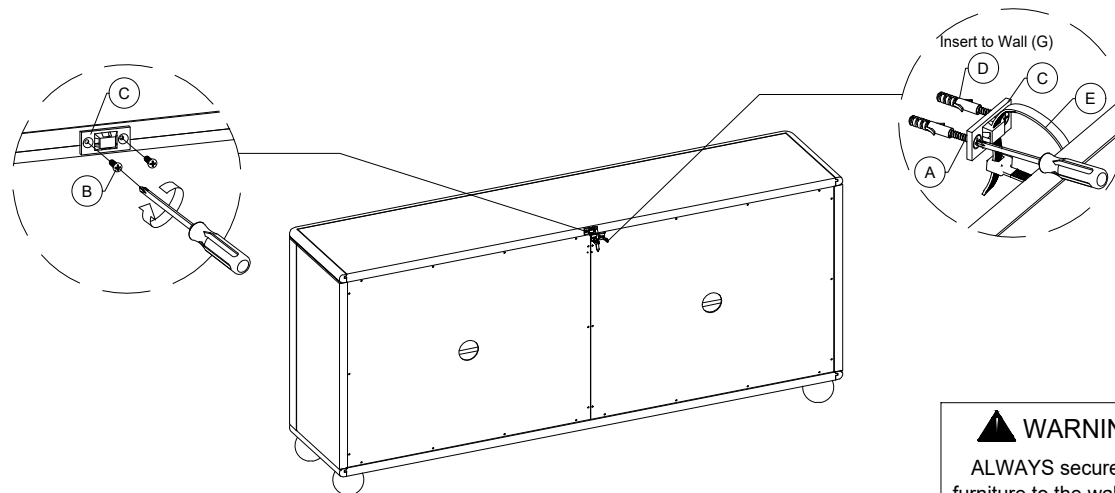
- Place the Body (1) on the floor. Attach four legs (2) and middle leg (3) to the bottom of the Body (1). Turn them clockwise to tighten.

(2)



- Stand the Buffet upright, then adjust the levelers located at the bottom of each Leg. Turn them outward, counterclockwise, to help compensate for uneven surfaces.

(3)



- Final step : Install the Anti-Tip Bracket (C) to the Top Panel using the Short Screws (B) in the pre-drilled holes provided. Use a screwdriver for installation.
 - Make sure to complete this step. Attach the Anti-Tip Bracket (C) to the wall (where the wall plug (D) has been installed) using the Long Screws (A) and tighten them with a screwdriver.
 - Secure the Anti-tip Bracket (C) with the Anti-tip Strap (E).

⚠ WARNING
 ALWAYS secure this furniture to the wall using anti-tip device