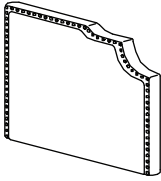
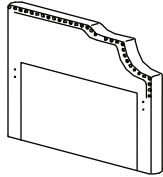
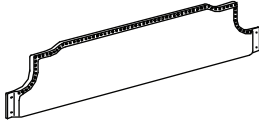
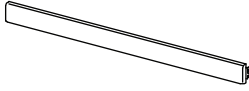

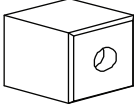
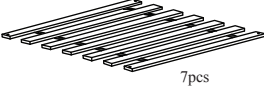


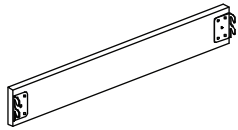
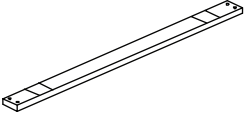
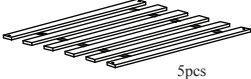
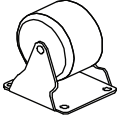
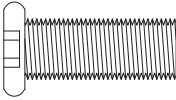
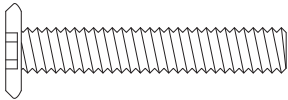
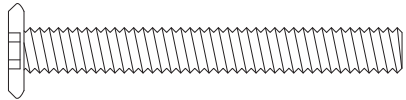

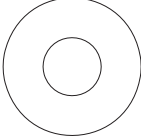
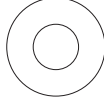


# ASSEMBLY INSTRUCTION

## PART LIST

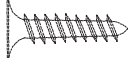
<p>1. LEFT ARM</p>  <p>x 1PC</p>	<p>2. RIGHT ARM</p>  <p>x 1PC</p>	<p>3. BACK PANEL</p>  <p>x 1PC</p>	<p>4. FRONT RAIL</p>  <p>x 1PC</p>	<p>5. BACK RAIL</p>  <p>x 1PC</p>
<p>6. LEGS</p>  <p>x 4PCS</p>	<p>7. DAYBED SLAT</p>  <p>7pcs x 2 SETS</p>	<p>8. TRUNDLE FRONT PANEL</p>  <p>x 1PC</p>	<p>9. TRUNDLE BACK PANEL</p>  <p>x 1PC</p>	<p>10. TRUNDLE SIDE PANEL</p>  <p>x 2PCS</p>
<p>11. SLAT SUPPORT</p>  <p>x 3PCS</p>	<p>12. TRUNDLE SLAT</p>  <p>5pcs x 2 SETS</p>	<p>13. CASTORS</p>  <p>x 6PCS</p>		

## HARDWARE LIST

<p>A. BOLT M8 x 20mm</p>  <p>x 16PCS</p>	<p>B. BOLT M6 x 35mm</p>  <p>x 4PCS</p>	<p>C. BOLT M6 x 50mm</p>  <p>x 16PCS</p>
<p>D. SPRING WASHER</p>  <p>x 16PCS</p>	<p>E. FLAT WASHER (BIG)</p>  <p>x 4PCS</p>	<p>F. FLAT WASHER (SMALL)</p>  <p>x 12PCS</p>

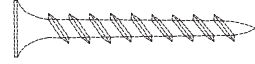
# ASSEMBLY INSTRUCTION

G. SCREW  
M4 x 16mm



x 24PCS

H. SCREW  
M4 x 32mm



x 16PCS

I. L-KEY  
M4 x 65mm



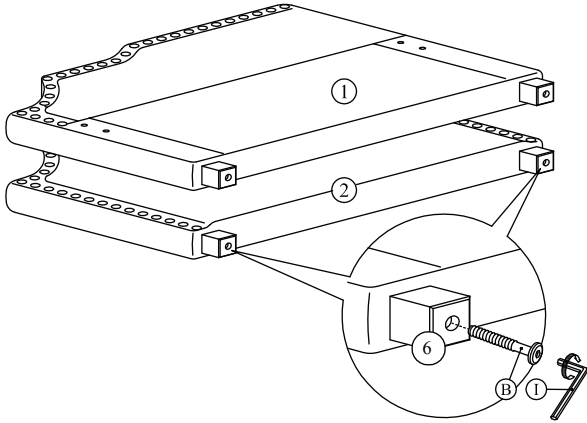
x 1PC

J. L-KEY  
M5 x 65mm



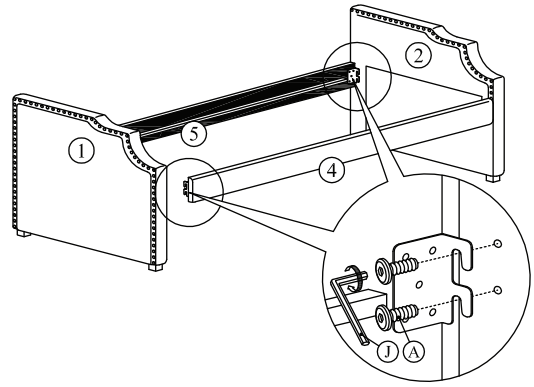
x 1PC

STEP 1



Begin assembly by attaching each leg (6) to the bottom of left arm (1) & right arm (2) securing with 2 Bolts (B) per panel using L-key (I).

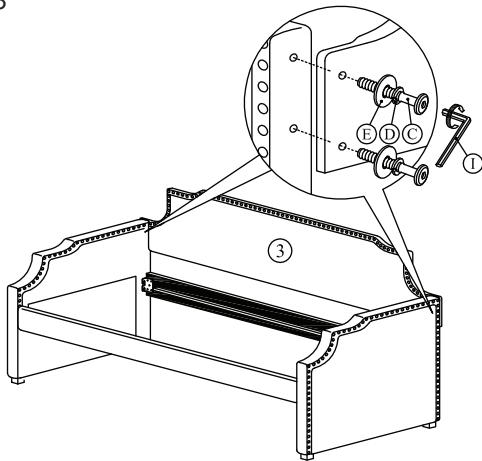
STEP 2



Attach the front rail (4) and back rail (5) to the left arm (1) & right arm (2) by aligning holes and securing with 2 Bolts (A) on each end using L-key (J).

**Note: Do not fully tighten bolts for this step.**

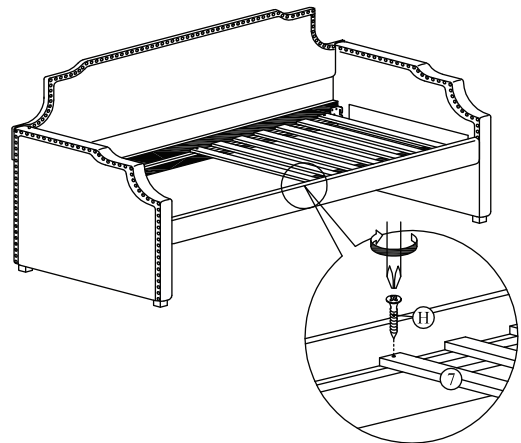
STEP 3



Attach back panel (3) to the back of each left arm & right arm by aligning the holes and securing with 2 Bolts (C), 2 Spring Washers (D), and 2 Flat Washers (E) on each side using L-key (I).

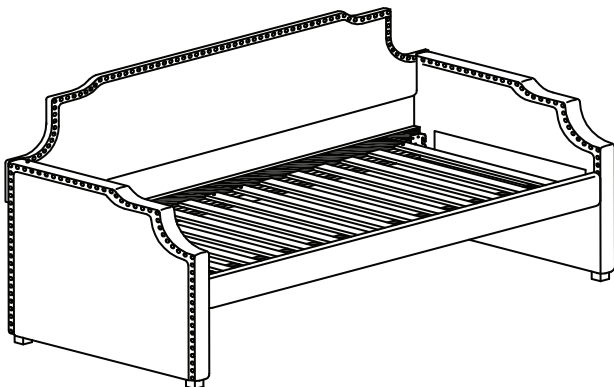
**Note: Do not fully tighten bolts for this step.**

STEP 4



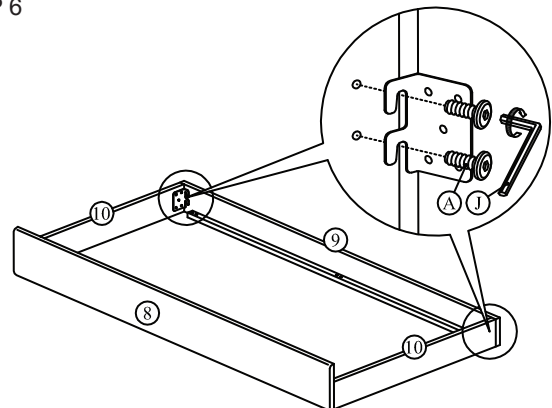
Tighten all Bolts from step 2 using L-key (J) and bolts from step 3 using L-key (I) that has been provided. Attach daybed slats (7) to front rail and back rail by unrolling and securing with 2 screws (H) on the end of each set of slats. Tighten all screws using Philips Head screwdriver (not included)

STEP 5



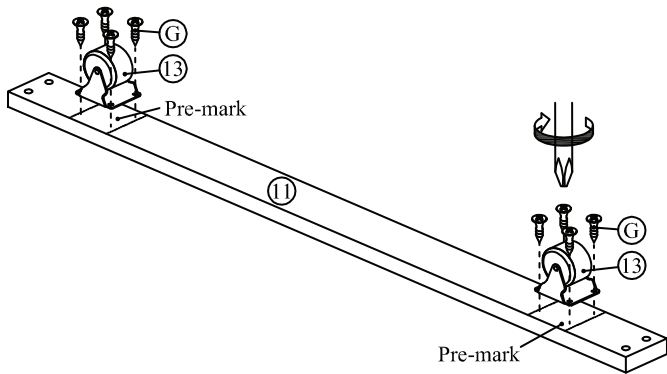
Your daybed should be assembled as above.

STEP 6



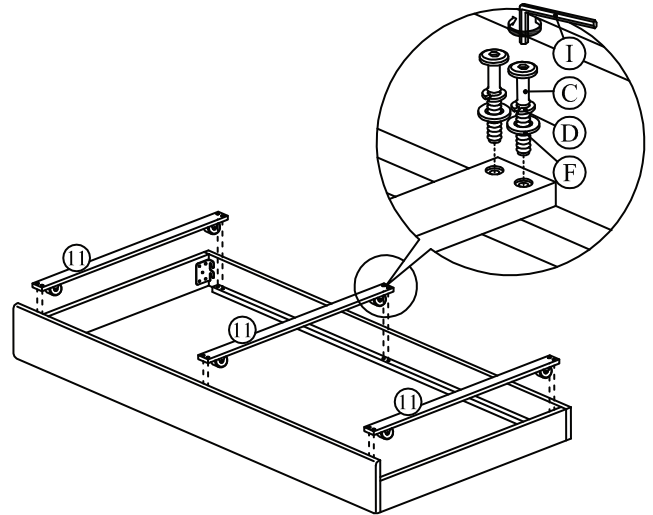
Attach the trundle front panel (8) & trundle back panel (9) to the trundle side rails (10) by aligning holes and securing with 2 Bolts (A) on each end. Tighten all Bolts using the L-key (J).

STEP 7



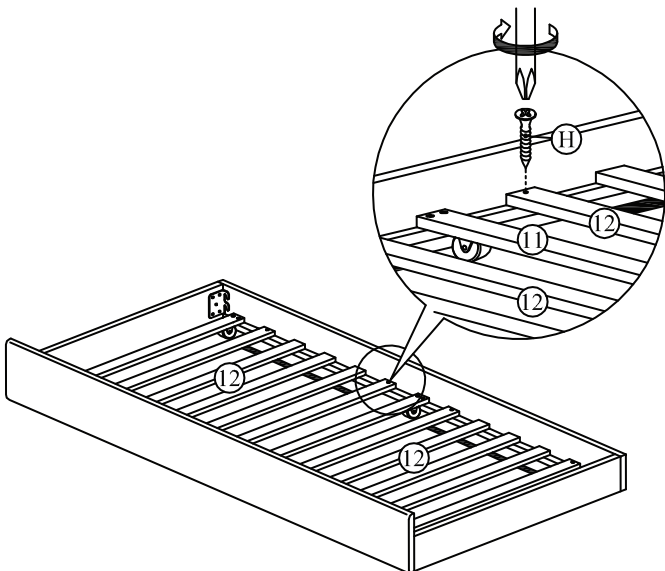
Attach 2 castor (13) to the bottom of slat support (11) by aligning to the pre-mark line and securing with 4 Screws (G) per castor using Philips Head screwdriver.

STEP 8



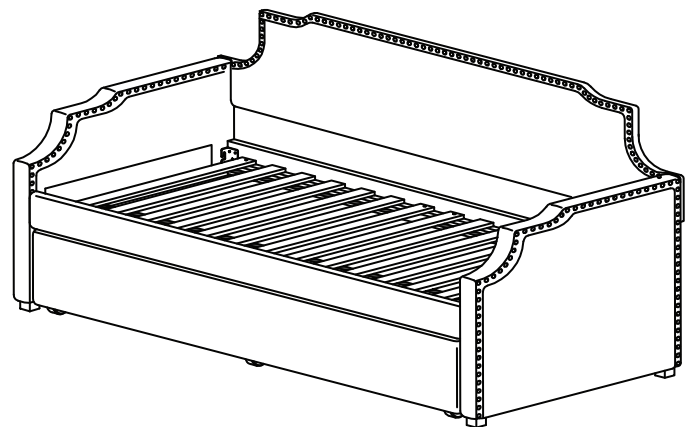
Attach slat support (11) with castor to the trundle front panel (8) & trundle back panel (9) and secure with 2 Bolts (C), 2 Spring Washers (D), and 2 Flat Washers (F), by using L-key (I) on each side of slat, like the image.

STEP 9



Attach trundle slat (12) to the trundle front panel & trundle back panel by unrolling and securing with 2 Screws (H) on each side. Tighten all screws using Philips Head screwdriver

STEP 10



Your daybed is now ready!  
Make sure all bolts and screws are tightened before using.  
Do not stand or jump on top.  
Enjoy!

ASSEMBLY  
COMPLETED