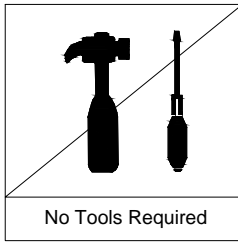
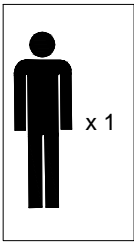
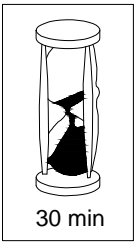


## Hanging Porch Single Swing With Chain

**NEED HELP?** For replacement requests or product inquiries, please contact our Customer Service Team by emailing us  
Thank you for selecting!



### CARE INSTRUCTION:

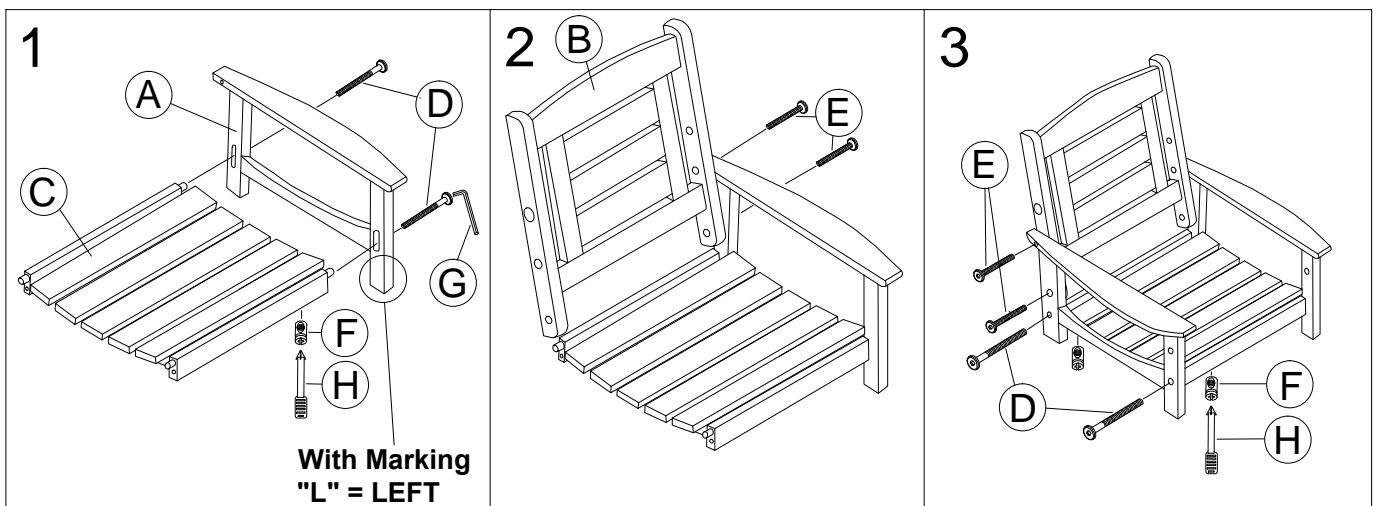
This Furniture was treated with teak oil at the factory. To maintain the original appearance, you need to treat with a suitable wood oil at least once a year. Left untreated, the wood will weather to a silvery grey.

As timber is a living product you may find that you need to periodically tighten any fittings.

Covering or storing your furniture to protect it from ice and snow will keep it looking even better for even longer!

## PART 1 : Single Swing Assembly




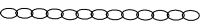
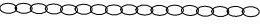

<p><b>A</b></p> <p>L &amp; R</p> <p>Mark "L"</p> <p>x 2</p>	<p><b>C</b></p> <p>x 1</p>	<p><b>E</b></p> <p>JCBC M6 x 40</p> <p>x 4</p>
<p><b>B</b></p> <p>x 1</p>	<p><b>D</b></p> <p>JCBC M6 x 60</p> <p>x 4</p>	<p><b>G</b></p> <p>x 1</p>
		<p><b>H</b></p> <p>x 1</p>

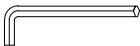
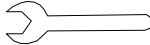
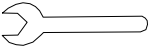





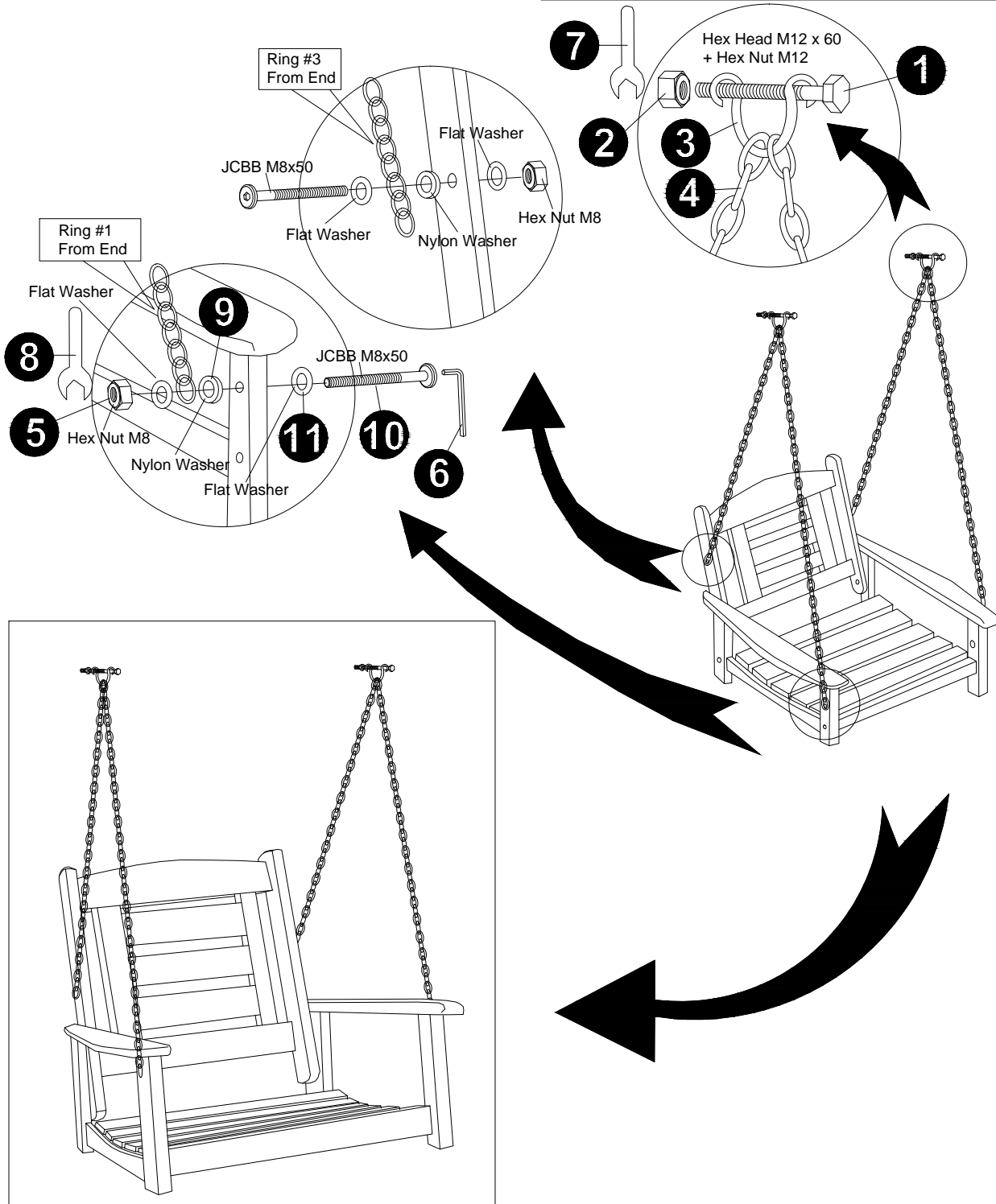
\* Do Not Tighten Any Bolt Until All Bolt Have Been Placed

## PART 2 : Single Swing Chain Assembly

### HARDWARE

- |                      |   |         |
|----------------------|---|---------|
| 1. Hex Head M12 x 60 |  | - 2 pcs |
| 2. Hex Nut M12       |  | - 2 pcs |
| 3. U Hook            |  | - 2 pcs |
| 4. Chain : Short     |  | - 2 pcs |
| : Long               |  | - 2 pcs |
| 5. Hex Nut M8        |  | - 4 pcs |

- |                            |   |         |
|----------------------------|---|---------|
| 6. Allen Key M5            |  | - 1 pcs |
| 7. M19 Spanner             |  | - 1 pcs |
| 8. M13 Spanner             |  | - 1 pcs |
| 9. Nylon Washer            |  | - 4 pcs |
| 10. JCBB M8x50mm           |  | - 4 pcs |
| 11. Flat Washer (M8x22x12) |  | - 8 pcs |



\* Do Not Tighten Any Bolt Until All Bolt Have Been Placed