

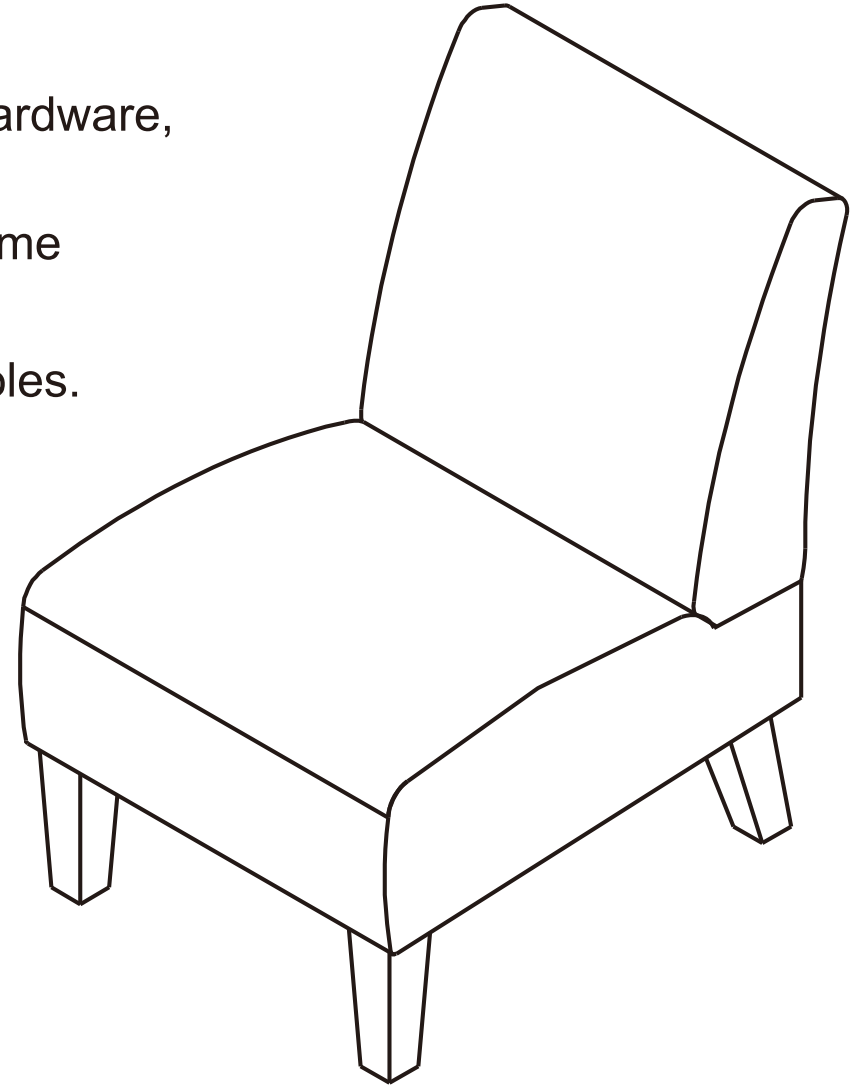
Assembly Instructions

⚠ Before you throw the package, please ensure that you have all the parts needed for the assembly.

⚠ **Hardware Note:**
1. Please **do not completely tighten** all the hardware, turn the bolts about **50%** by hand according to the AI step by step. Then adjust 4 legs when they are at same height, tighten all the bolts completely at last.
2. All the bolts should be assembled **vertically** to the holes.

⚠ Back can be found in the **bottom** of seat.

⚠ **Spare parts** can be found in the hardware box if you do not have enough parts to assemble.



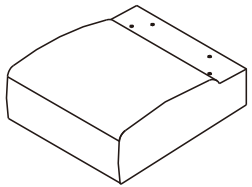
⚠ THIS INSTRUCTION BOOKLET CONTAINS IMPORTANT SAFETY INFORMATION. PLEASE READ AND KEEP FOR FUTURE REFERENCE.

Assembly Instructions

Parts and Hardware

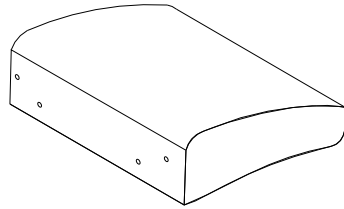
Please check to make sure all parts and hardware before starting assembly process.

①



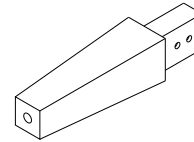
Seat 1pc

②



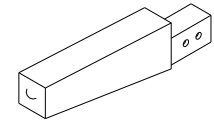
Back 1pc

③



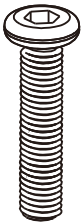
Front leg 2pcs

④



back leg 2pcs

Ⓐ



Long bolt 12pcs

Ⓑ



Spring washer 12pcs

Ⓒ



Flat washer 12pcs

Ⓓ



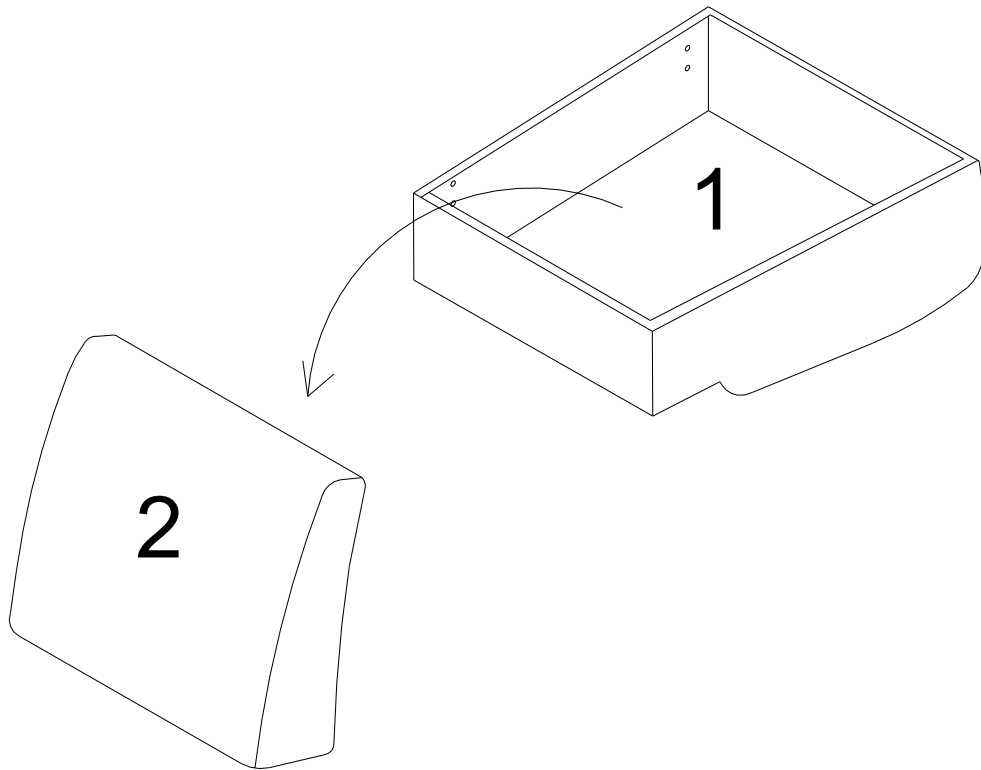
Wrench 1pc

Assembly Instructions

Assembly Instruction

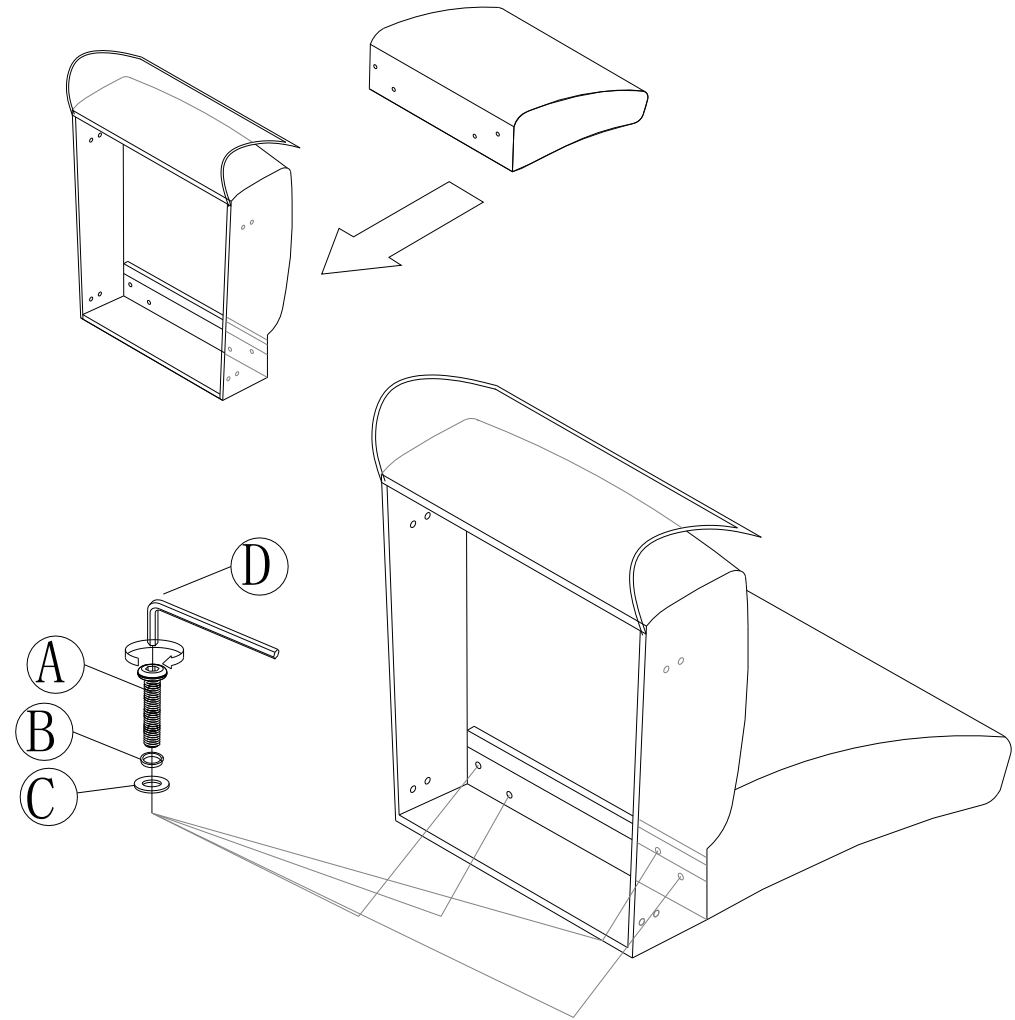
Please read and understand all assembly instructions before beginning assembly process.
Do not tighten any single bolt until all bolts in holes on each step

Step 1 :Take the back out form the bottom of seat.



Step 2 :Put back on seat as below diagram show.

Assemble back to seat. Do not fully tighten any single bolts until all the bolts are align to the holes then fully tighten them by the short side of wrench.



Assembly Instructions

Assembly Instruction

Please read and understand all assembly instructions before beginning assembly process.
Do not tighten any single bolt until all bolts in holes on each step

Step 3: Assemble legs to the bottom of seat.

Do not fully tighten any single bolts until all the bolts are align to the holes then fully tighten them by the short side of wrench.

