

Furniture Connexion & Porter Designs

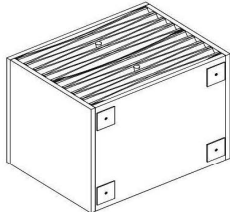
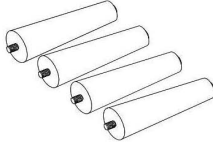
ASSEMBLY INSTRUCTION

SKU# 04-196-04-W003

DESCRIPTION# WAVE NIGHTSTAND

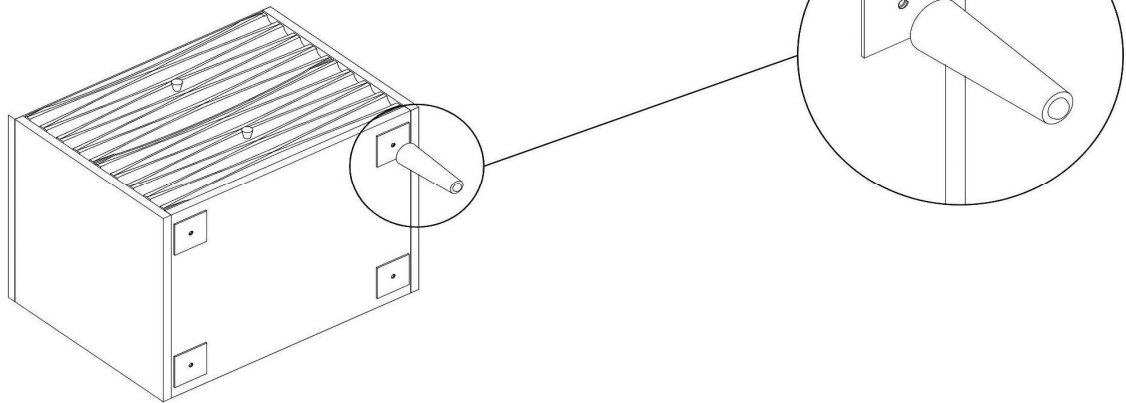
Thank you for purchasing this quality product. Be sure to check all packing material carefully for small parts, which may have come loose inside the carton during shipment. Identify and count all parts and compare with the hardware and parts list below

PART LIST

LABEL	PICTURE	DESCRIPTION	QTY
A		TOP	1
B		LEGS	4

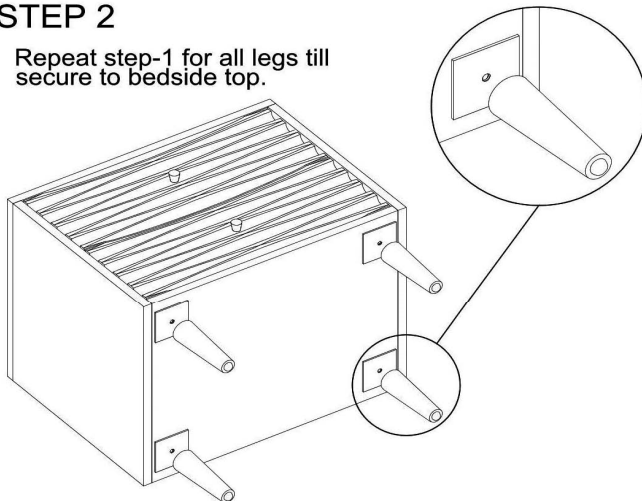
STEP 1

Lay the bedside top upside down on a protective surface. Align the leg with bedside bottom hole & rotate the leg clockwise, please do not over tighten.



STEP 2

Repeat step-1 for all legs till secure to bedside top.



STEP 3



Flip the bedside upright.

COMPLETELY ASSEMBLED