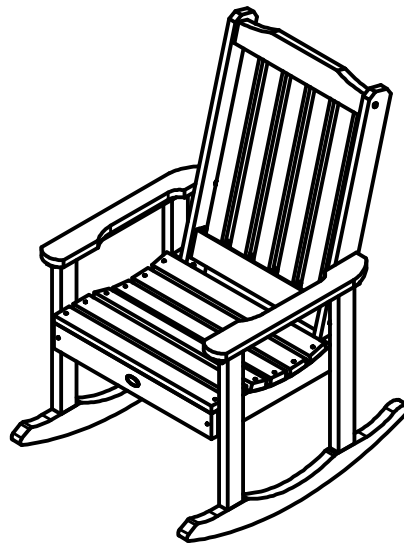


Rocking Chair

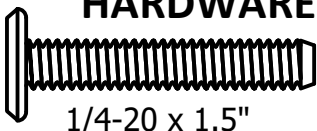
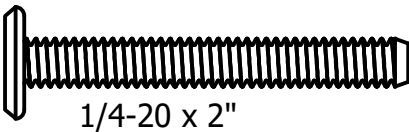
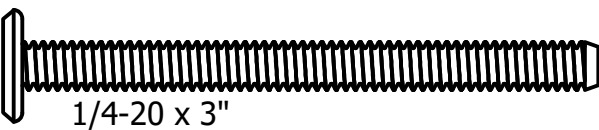
Assembly Guide



RKCH1
RKCH4

*Actual Style May Vary from
the One Pictured in this Guide

HARDWARE INCLUDED

- A  Qty: 2
1/4-20 x 1.5"
- B  Qty: 4
1/4-20 x 2"
- C  Qty: 4
1/4-20 x 3"

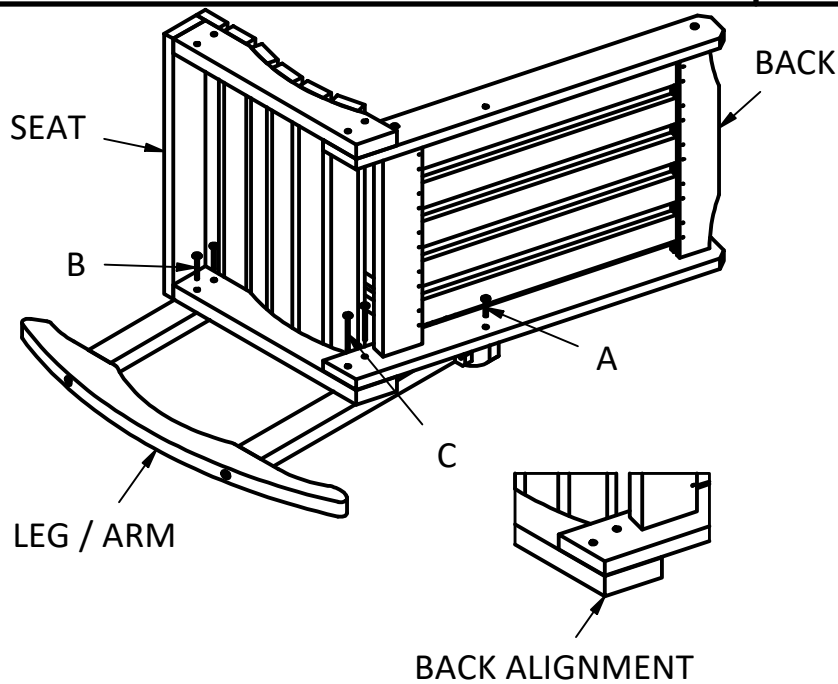
TOOLS INCLUDED



5/32" HEX KEY

IMPORTANT!

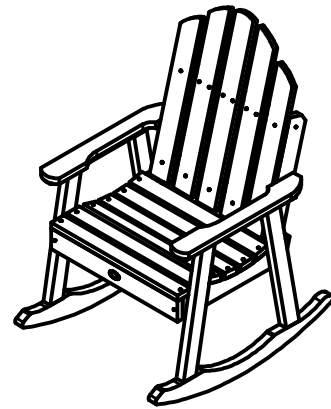
DO NOT fully tighten bolts until all bolts are started.



- 1) Attach Seat to Leg/Arm using (2) B bolts and (2) C bolts. (Align Back as shown for C bolts)
- 2) Attach Back to Leg/Arm using (1) A bolt
- 3) Repeat on other Side.

Rocking Chair

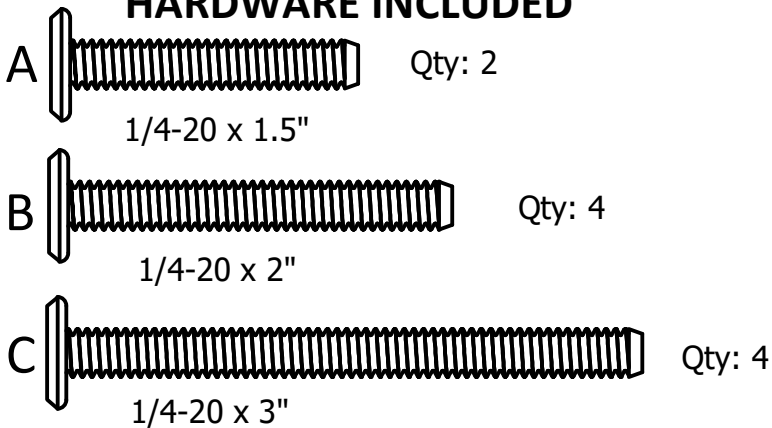
Assembly Guide



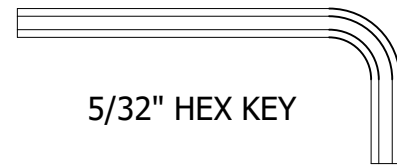
RKCH2
RKCH3
RKCH5

*Actual Style May Vary from
the One Pictured in this Guide

HARDWARE INCLUDED

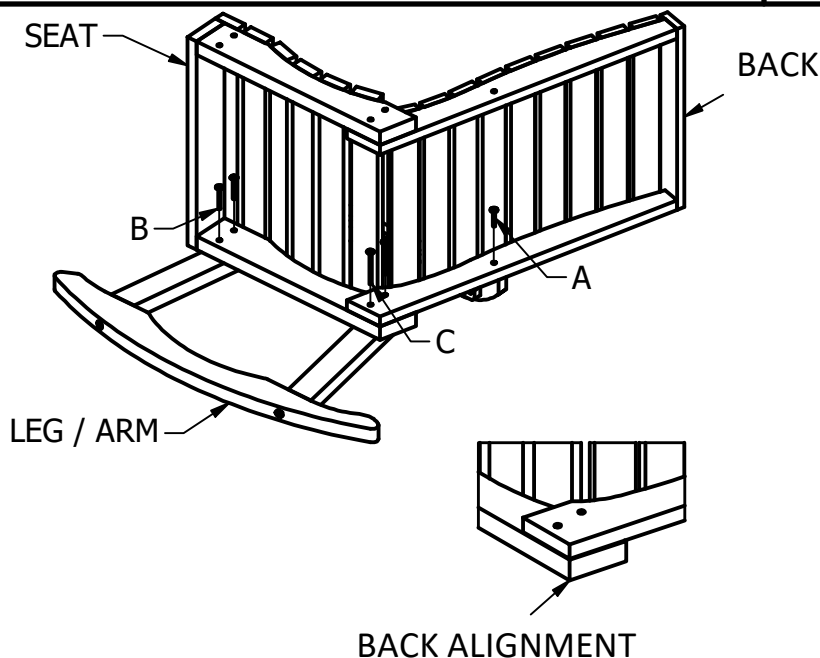


TOOLS INCLUDED



IMPORTANT!

DO NOT fully tighten bolts until all bolts are started.



- 1) Attach Seat to Leg/Arm using (2) B bolts and (2) C bolts. (Align Back as shown for C bolts)
- 2) Attach Back to Leg/Arm using (1) A bolt
- 3) Repeat on other Side.