

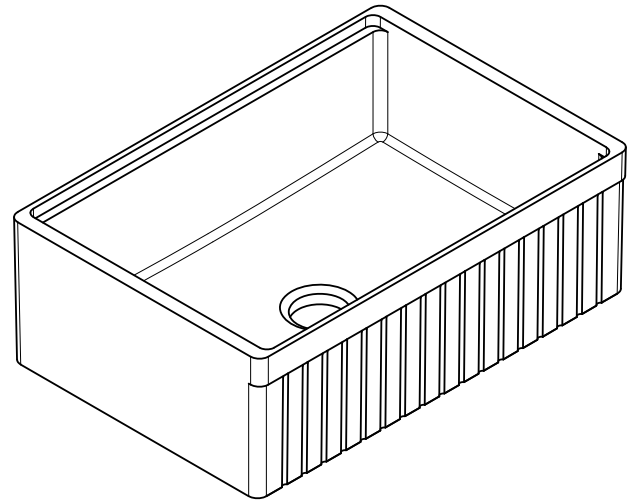
Model: **K2-SF30PIT**

**30" Fireclay Reversible Kitchen Farmhouse Workstation Sink**

## SPEC SHEET

### Features

- Handcrafted from fine fireclay
- Non-porous glossy surface
- Fired at above 2200 °F for 24 hours
- Resists chips, stains, cracks and scratches
- Apron-front visible or concealed apron
- Reversible Traditional and Contemporary Designs
- 3-9/16" Drain opening
- Bottom Grid, Strainer, Drain Tray and Cutting Board Included
- Recommended minimum cabinet size: 33"
- UPC/cUPC compliant
- Limited lifetime warranty



Fired at above 2200 °F



Prevents Condensation



Heat Resistant



Stain Resistant



Fade Resistant

