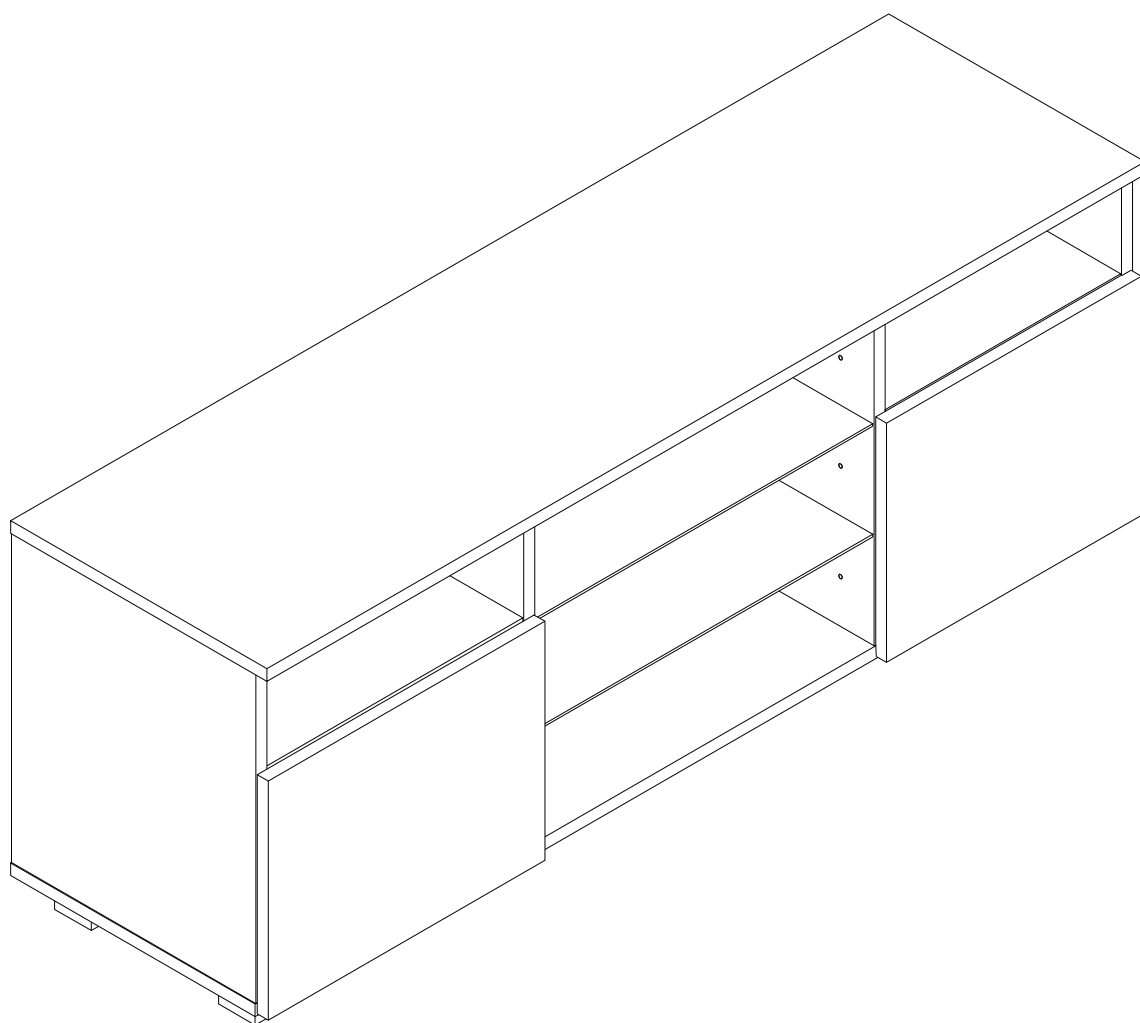
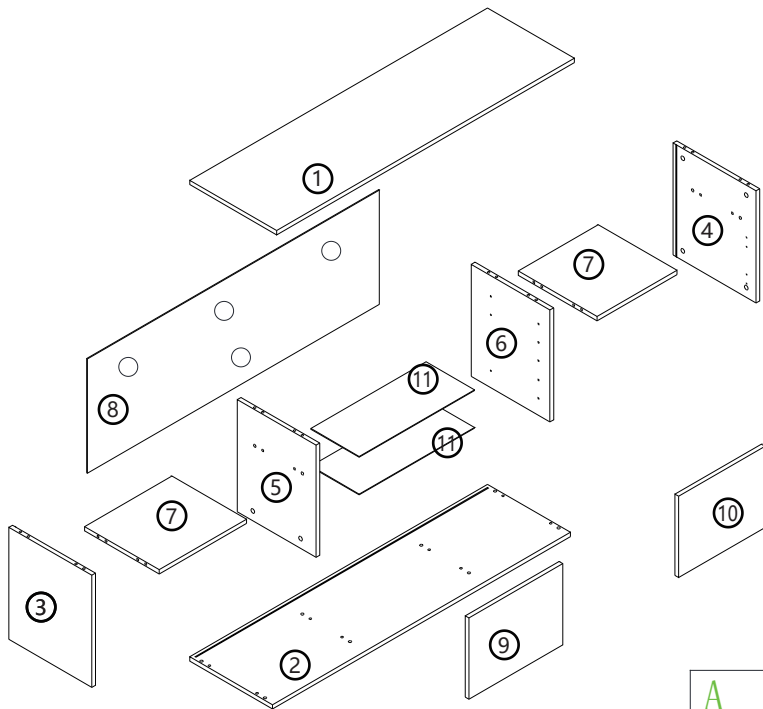





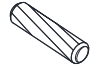

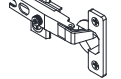

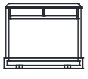
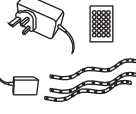
sku

DJ0085

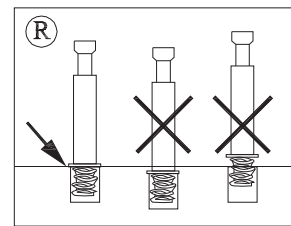
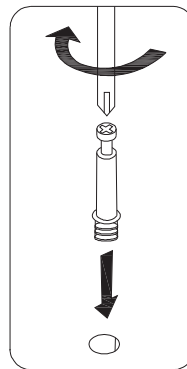
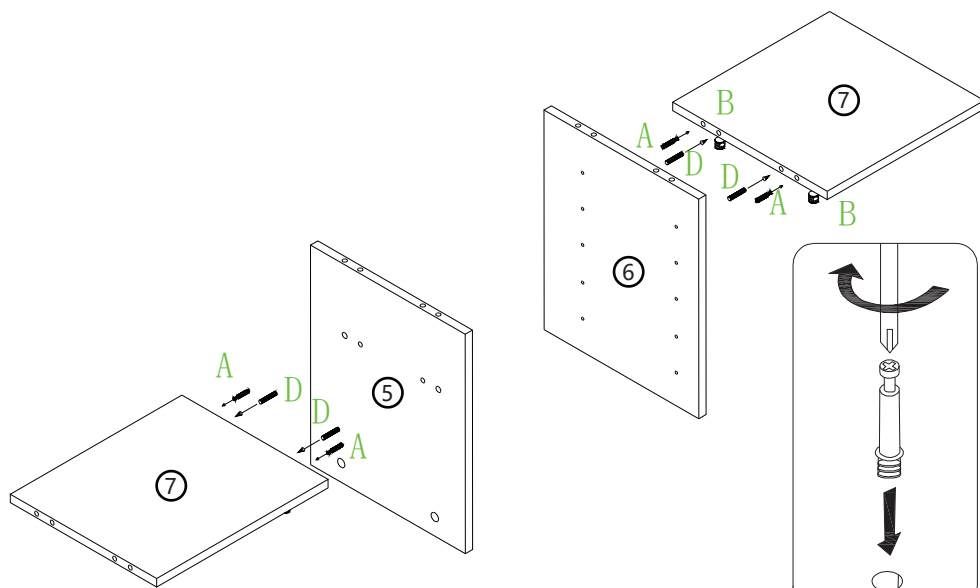


ASSEMBLY INSTRUCTION

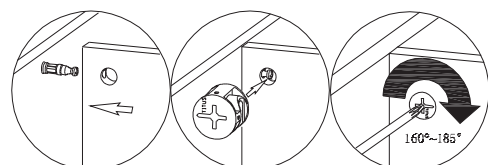


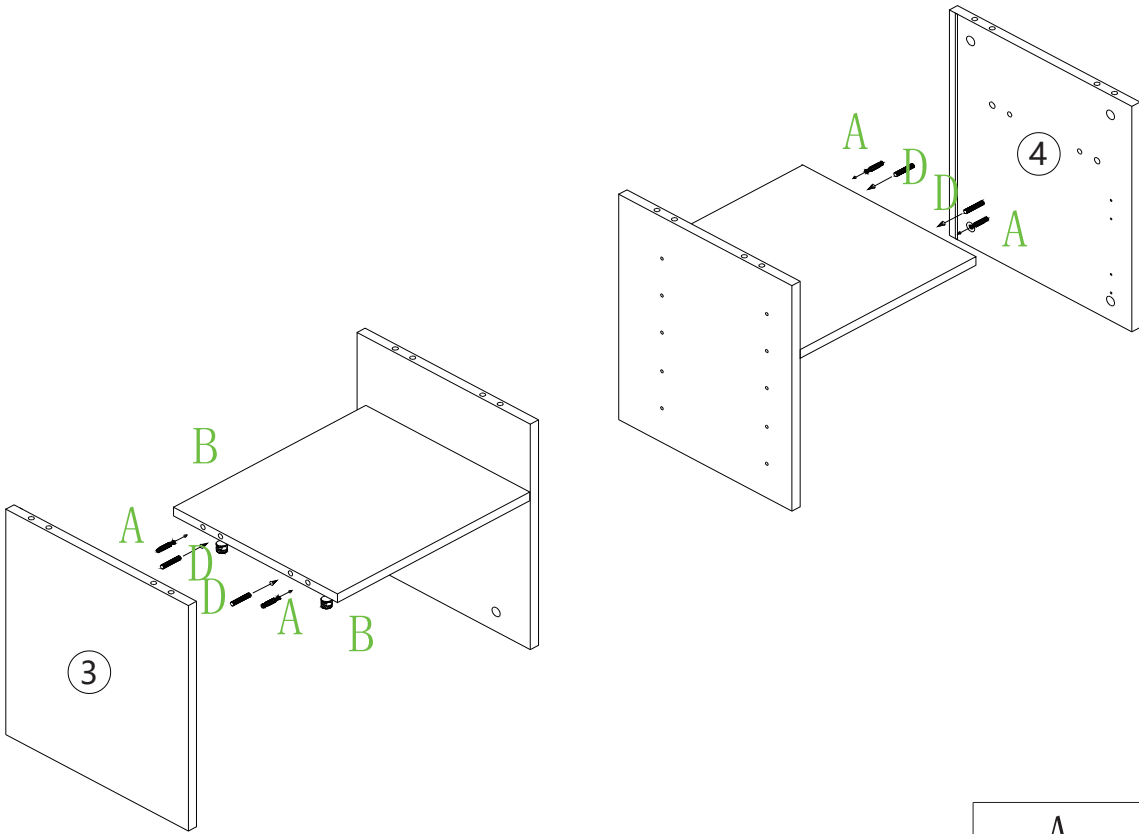
<p>A</p>  <p>26PCS</p>	<p>B</p>  <p>26PCS</p>	<p>C</p>  <p>3.5*14 56PCS</p>	<p>D</p>  <p>∅8*40 26PCS</p>	
<p>E</p>  <p>9PCS</p>	<p>F</p>  <p>4PCS</p>	<p>G</p>  <p>9PCS</p>	<p>H</p>  <p>5PCS</p>	<p>I</p>  <p>1PCS</p>

01

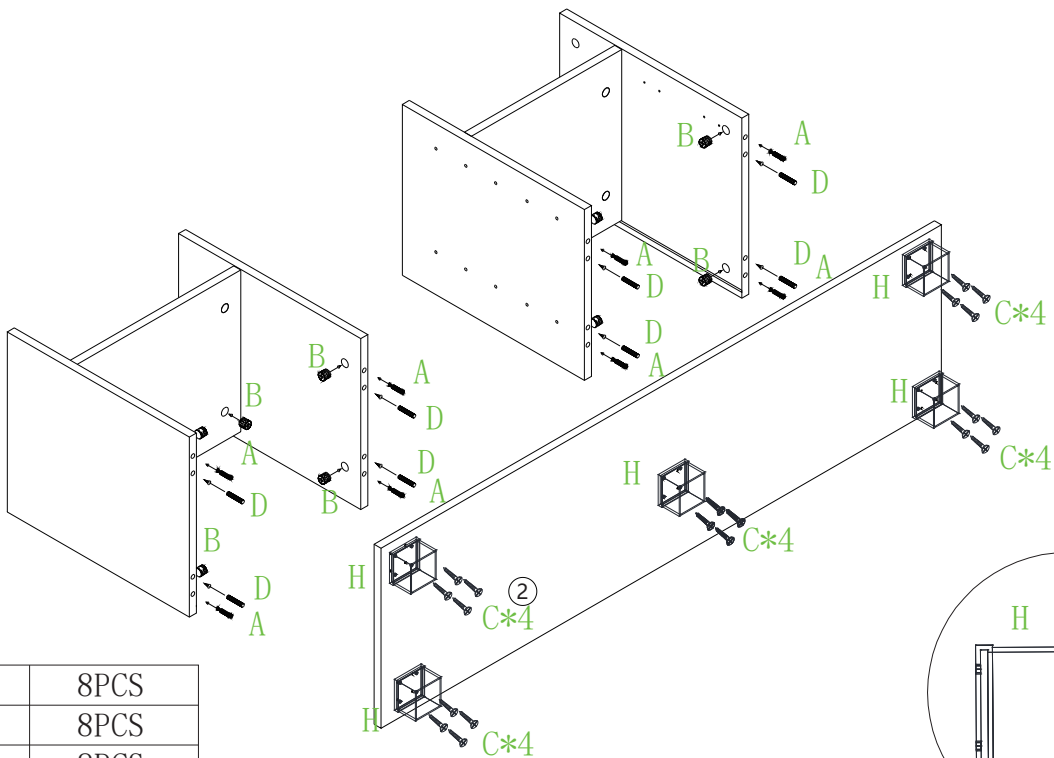


A	4PCS
B	4PCS
D	4PCS

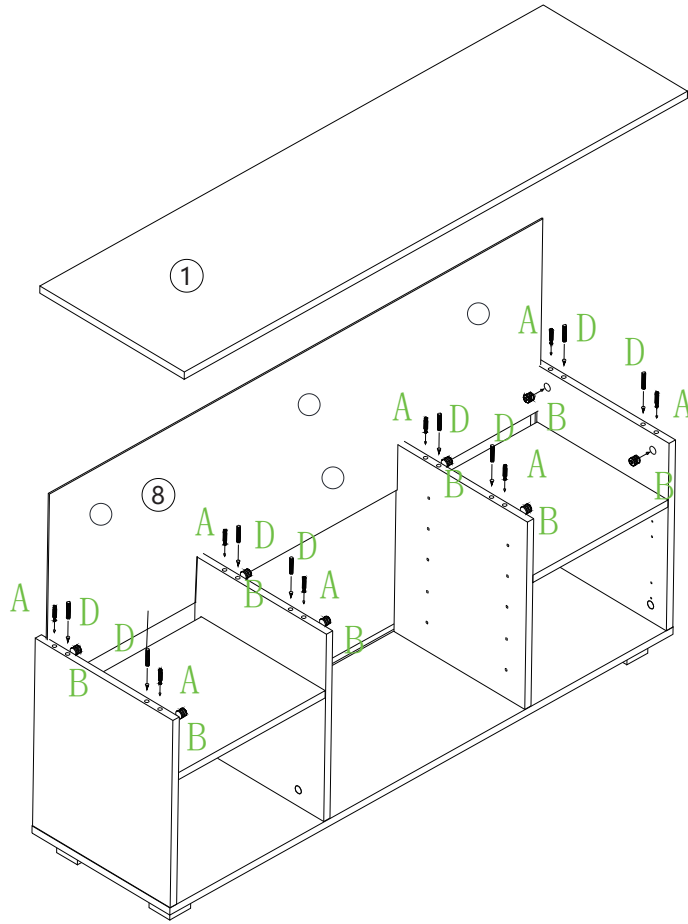




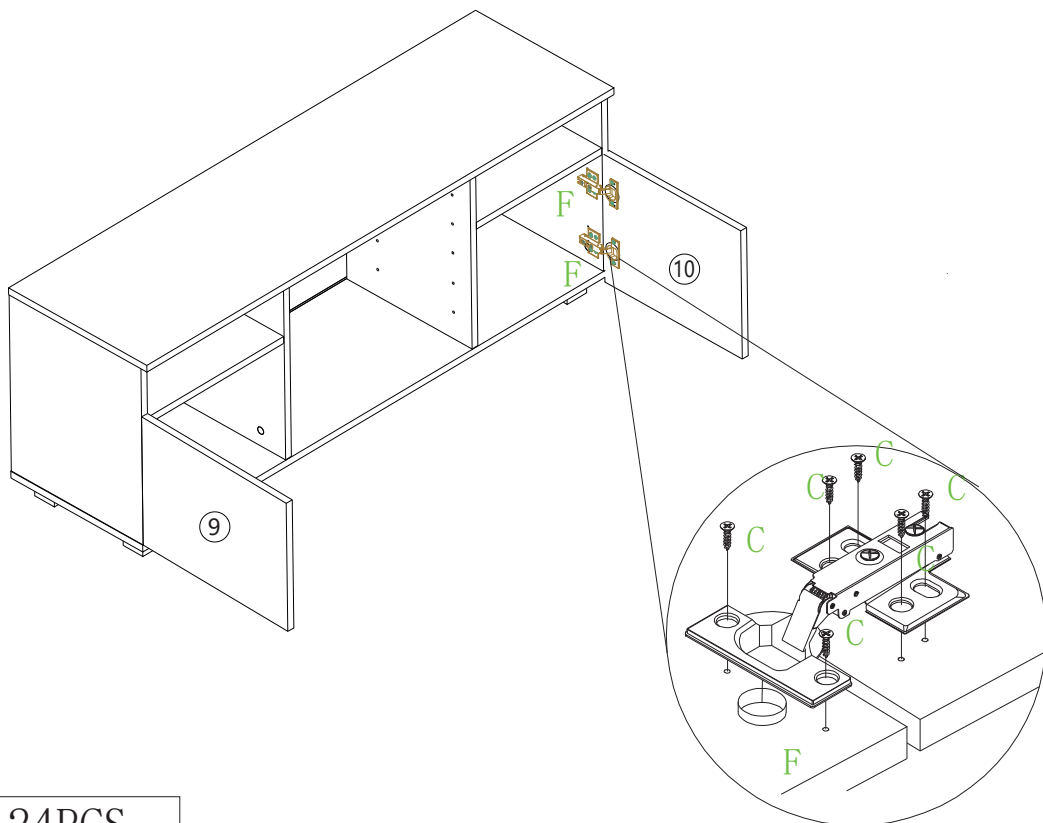
A	4PCS
B	4PCS
D	4PCS



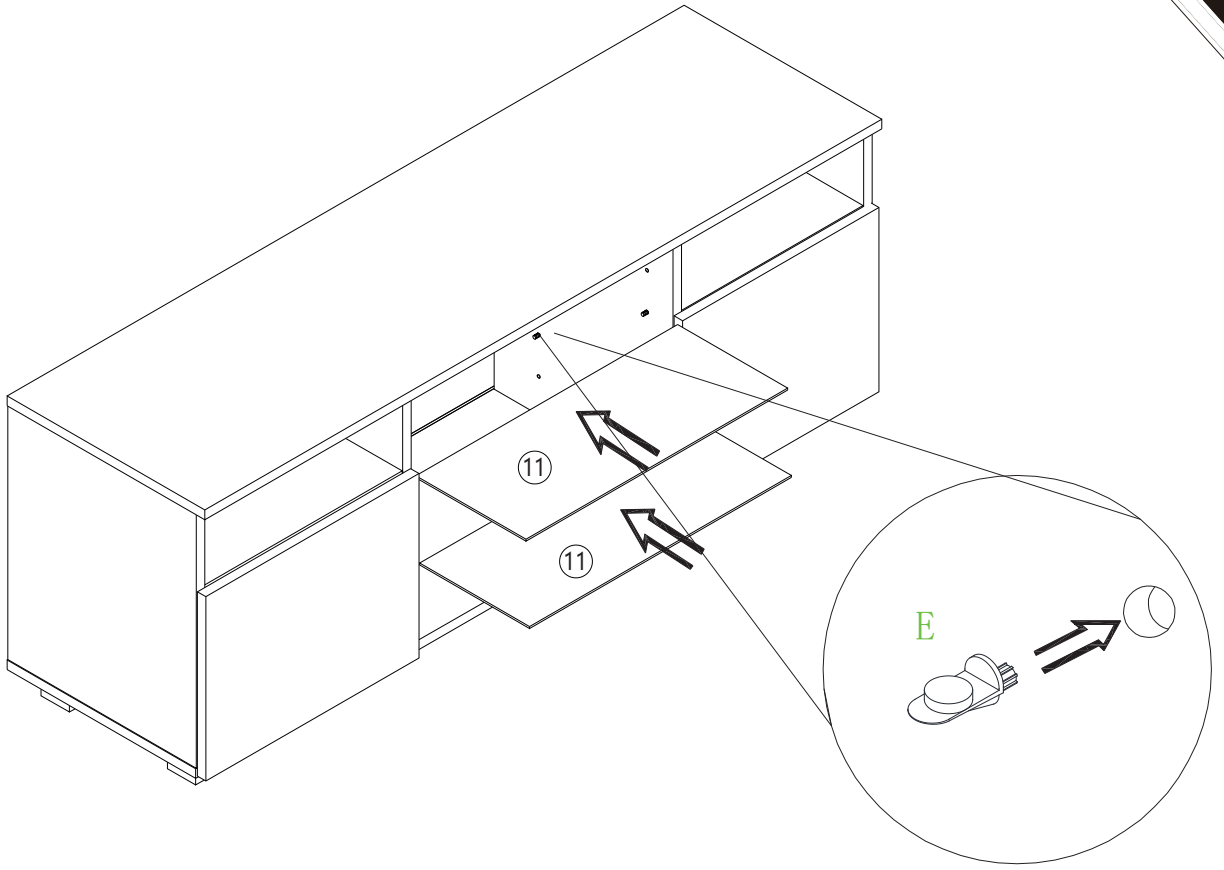
A	8PCS
B	8PCS
D	8PCS
C	20PCS
H	5PCS



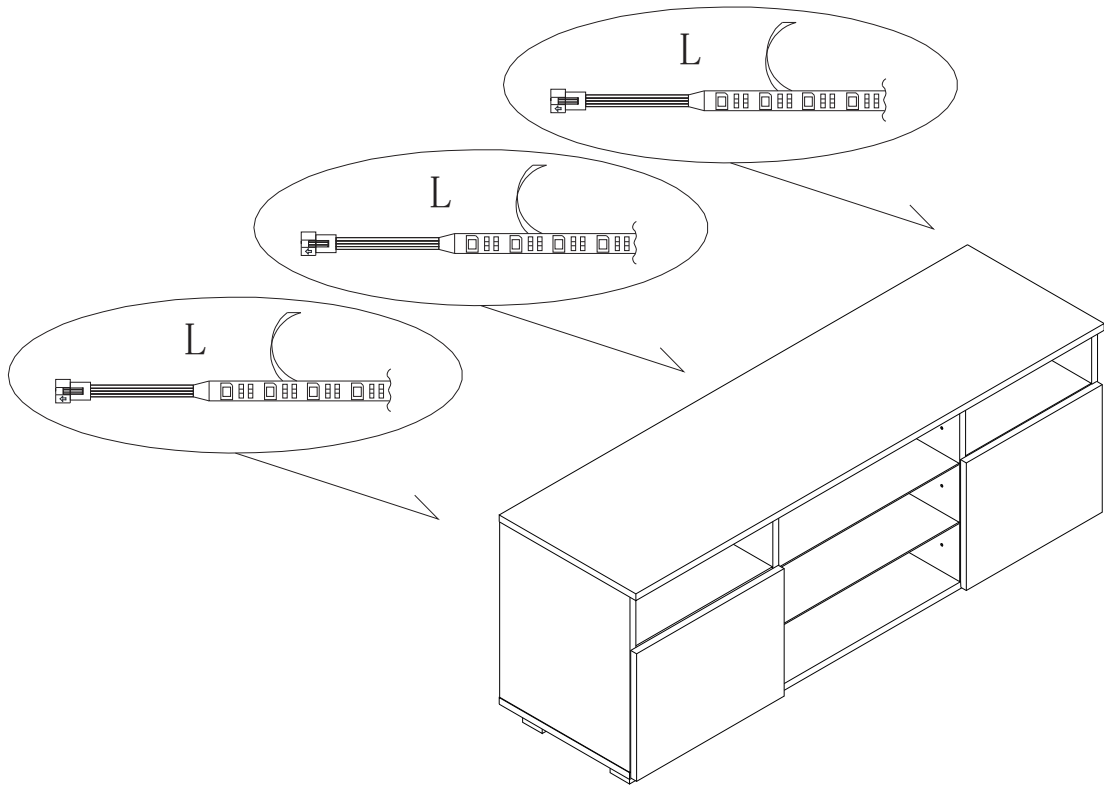
A	8PCS
B	8PCS
D	8PCS



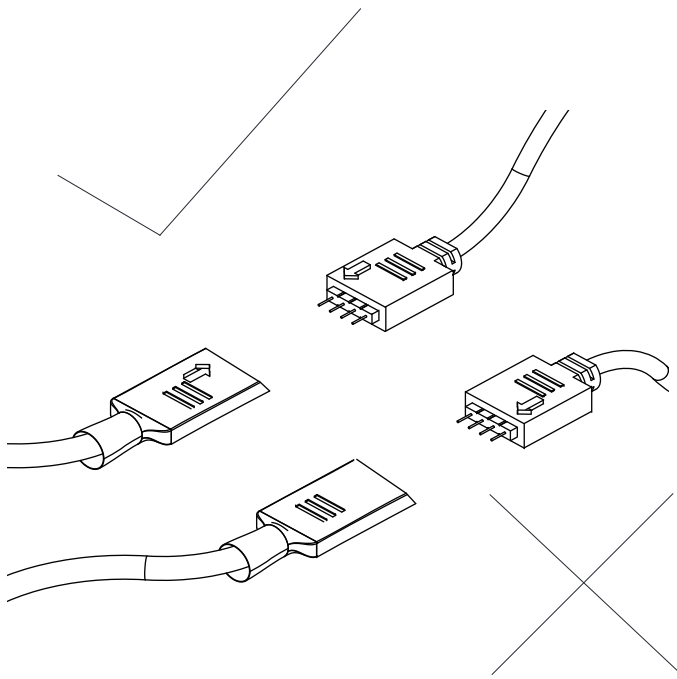
C	24PCS
F	4PCS



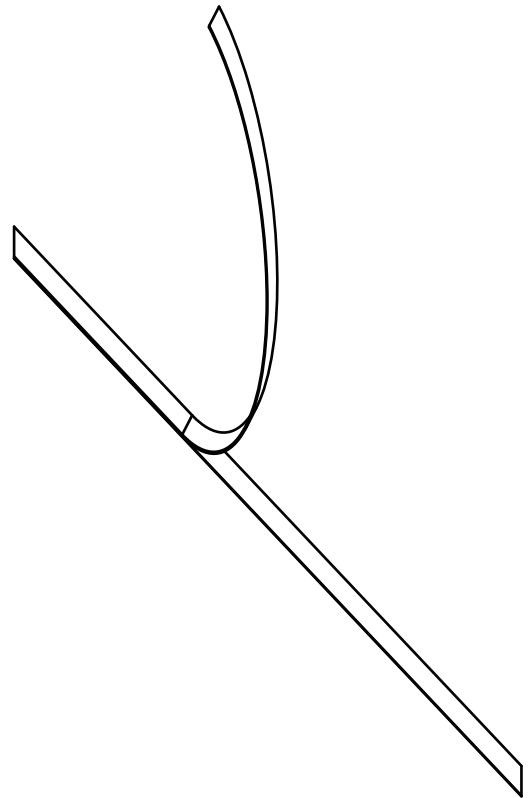
E	8PCS
---	------



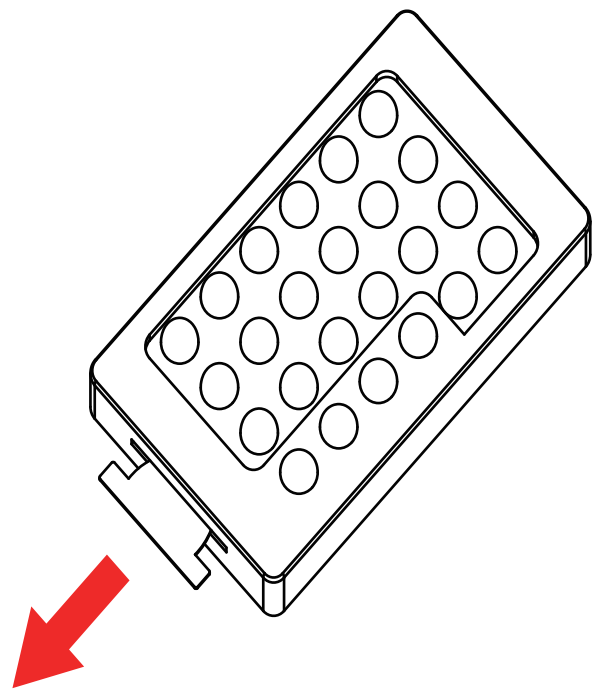
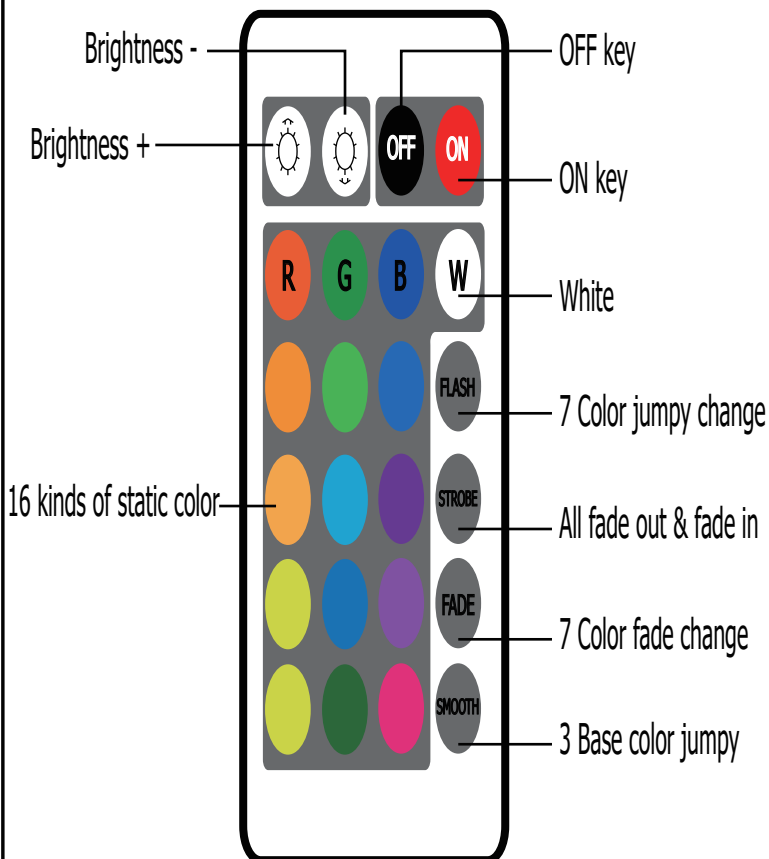
I	1PCS
---	------



Please make sure that the arrows correspond and then connect them together



Please make sure that the cabinet surface is free of dust, and then peel off the 3M tape cover and paste the strip.



Please remove the plastic sheet before controlling the strip