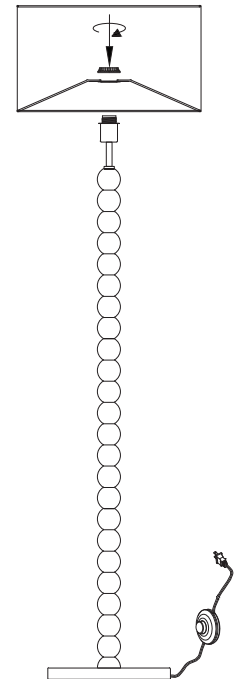
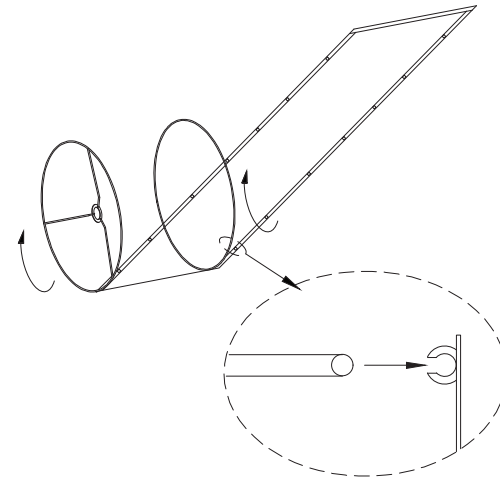
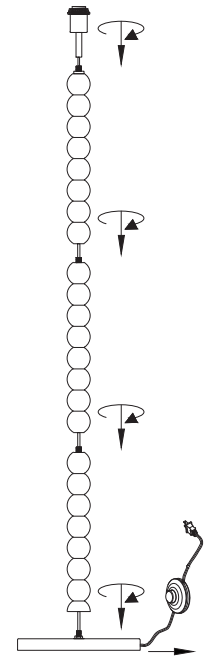
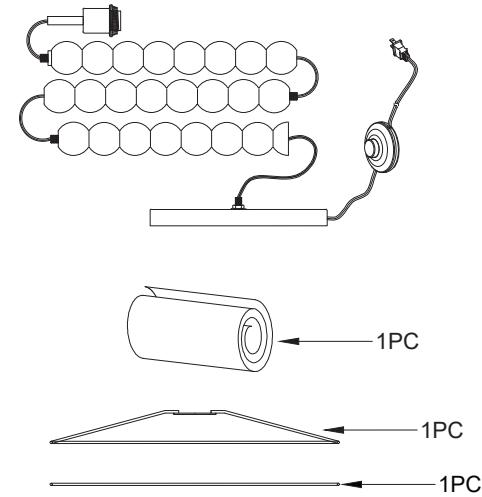
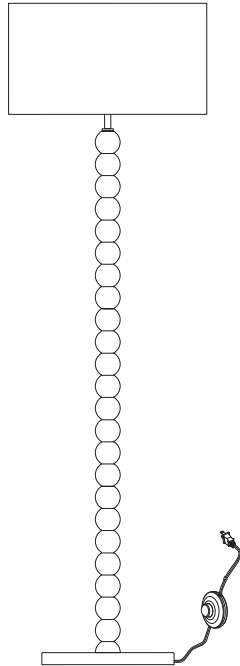


# Specification

## Important Safety Instruction:

This portable lamp has a polarized plug (one blade is wider than the other) as a safety feature to reduce the risk of electric shock. This plug will fit in a polarized outlet only one way. If the plug does not fit fully in the outlet, reverse the plug. If it still does not fit, contact a qualified electrician. Never use with an extension cord unless the plug can be fully inserted. Do not alter the plug.



<b>Material</b>	<b>Fabric / Wood</b>
<b>Voltage</b>	<b>110V~120V AC 60Hz</b>
<b>Wattage</b>	<b>Max 60W incandescent or Max 13W CFL</b>
<b>Cable Length</b>	<b>70 inches</b>
<b>Bulb Type</b>	<b>E26, Type A</b>
<b>Certification</b>	<b>UL Certification</b>

### **Safety Warnings**

- ◆ This product is for indoor use only, and not suitable for a bathroom location.
- ◆ If your lamp will not illuminate, please check the bulb, check the relevant fuse in your fuse box. If unsuccessful please consult your retailer.
- ◆ This product is not suitable for persons under 14 years of age.
- ◆ This product must be fitted with a suitable sized shade and must not be covered with any material as this could pose a safety hazard.
- ◆ Never fit bulbs of a higher wattage than those specified on the label, as these may cause overheating and damage the fitting. Always observe the lower wattage on base or shade.
- ◆ If the mains cable becomes damaged it must only be replaced by a technically competent, qualified person.
- ◆ Allow 10 minutes to cool before replacing, adjusting or cleaning. Clean with a dry cloth only. Do not use liquid or abrasive cleaners on this product.
- ◆ If you are in any doubt about your competence please consult a qualified electrician.
- ◆ If any modification is made it will invalidate the warranty and may render the product unsafe.