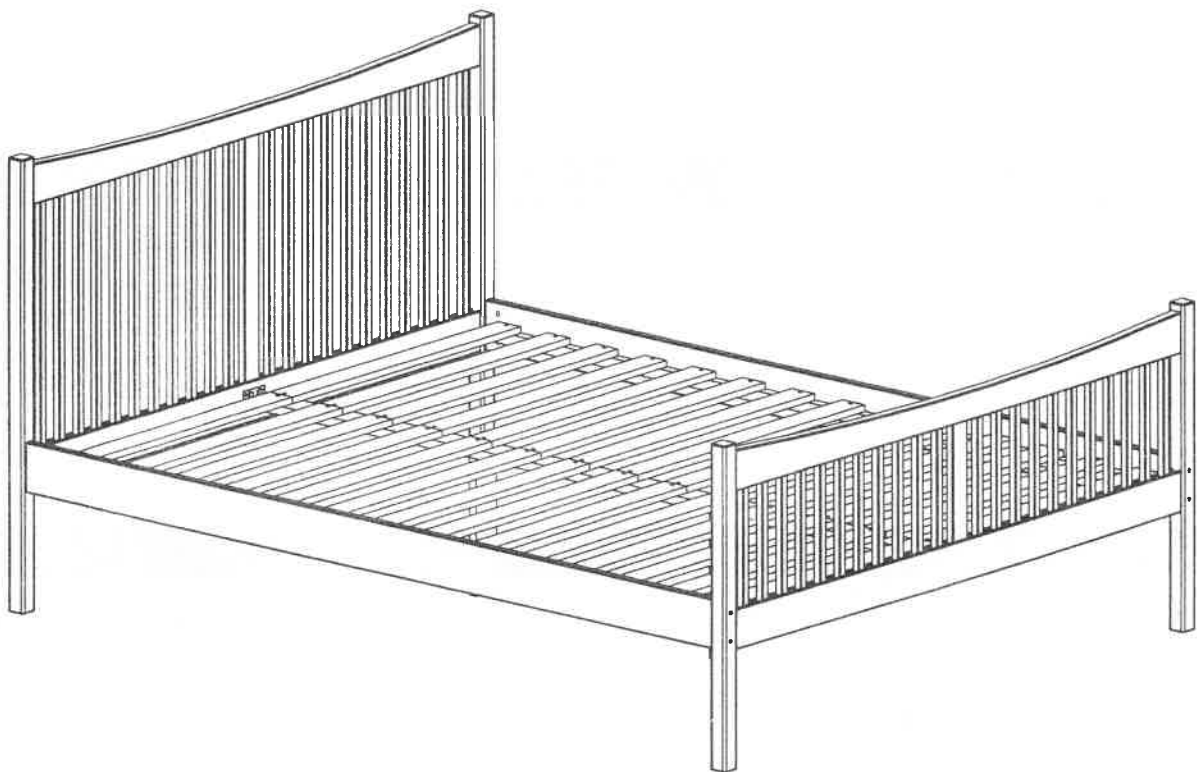


# bed 5'0

**IMPORTANT - READ CAREFULLY - RETAIN FOR FUTURE REFERENCE**



## Dimensions

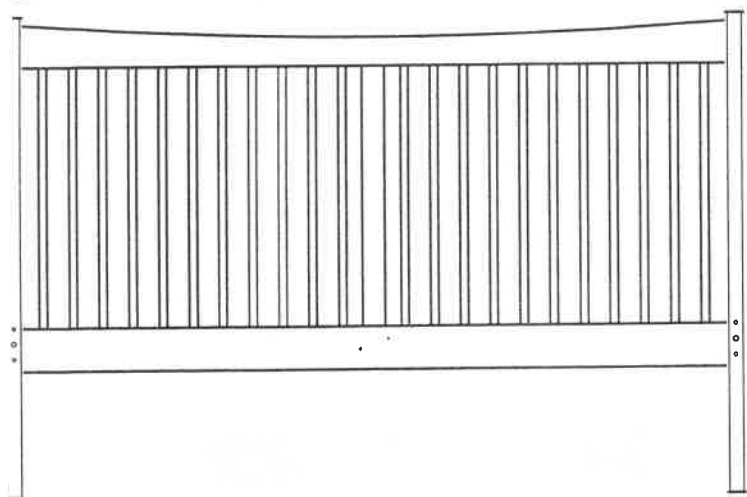
Width - 208,6cm  
Depth - 158,6cm  
Height - 102,8cm

**Assembly instruction - read these instruction fully before starting assembly**

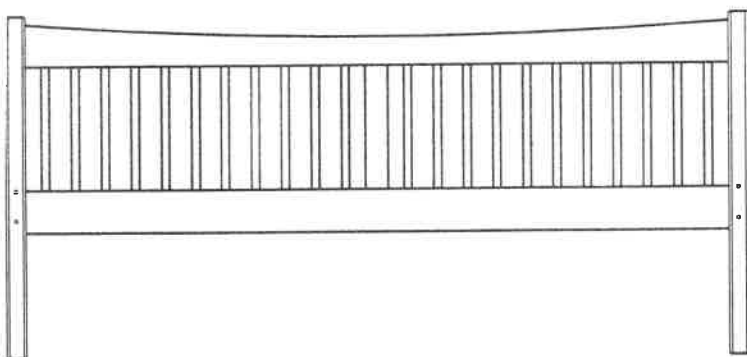
# Components - panels

Please check you have all the panels listed below

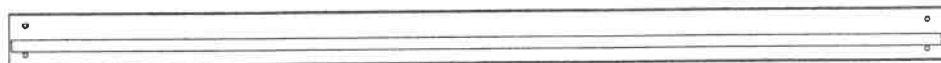
1 Headboard x1 (158,6x102,8 cm)



2 Footboard x1 (158,6x74 cm)



3 Side panel x2 (200x11,5 cm)



4 Middle rail x1 (200x6,8 cm)



5 Slat x28 (76x6,5 cm)



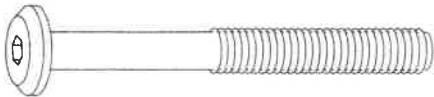


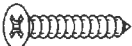
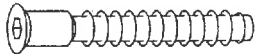


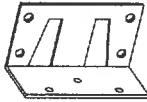

6 Middle leg x2 (31x6,8 cm)



# Components - Fittings

Please check you have all the panels listed below

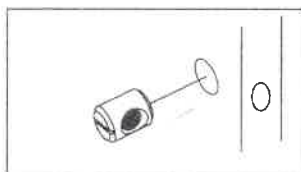
*Note:* The quantities below are the correct amount to complete the assembly. In some cases more fittings may be supplied than are required.

<p>(A) 8 pcs. Bolt - M6x90mm</p> 	<p>(B) 8 pcs. Barrel nut</p>  <p>M6-10x13 mm</p>	<p>(C) 4 pcs.</p>  <p>Dowel - Ø10x40 mm</p>
<p>(D) 56 pcs.</p>  <p>Screw - Ø3,5x25mm</p>	<p>(E) 2 pcs. Bolt - Ø7,0x50mm</p> 	<p>(F) 12 pcs.</p>  <p>Screw - Ø3,5x15mm</p>
<p>(G) 2 pcs. Support</p> 	<p>(H) 2 pcs. Support</p> 	<p>(I) 1 pcs. Allen Key - 4mr</p> 

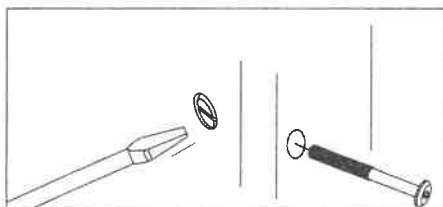
## How to use barrel nut and bolt.

Press the parts to be assembled together.

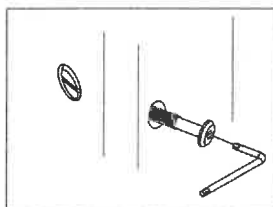
**Step 1:**  
Place the barrel nut into the hole indicated.



**Step 2:**  
Turn the barrel nut to make sure the groove points towards the bolt.

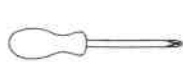


Place the bolt into the hole indicated. Make sure it catch the thread in the barrel nut.

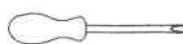


**Step 3:**  
Tighten the bolt.

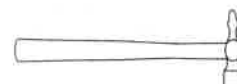
## Tools required



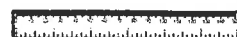
Phillips screwdriver  
( medium)



Flatblade screwdriver  
( medium)



Small  
hammer

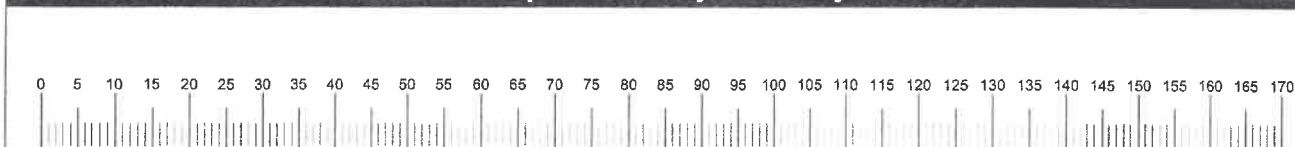


Ruler/tap  
measure



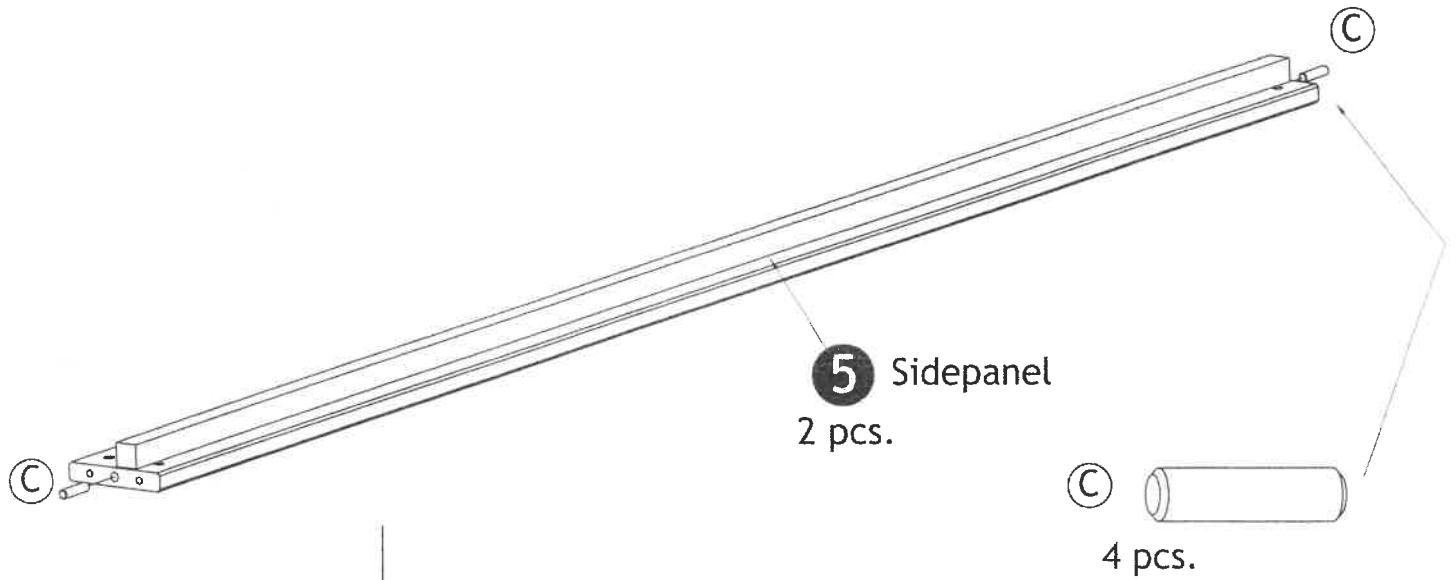
Eye protection  
( when using a  
hammer or glu

## Ruler - Use this ruler to help correctly identify the screws



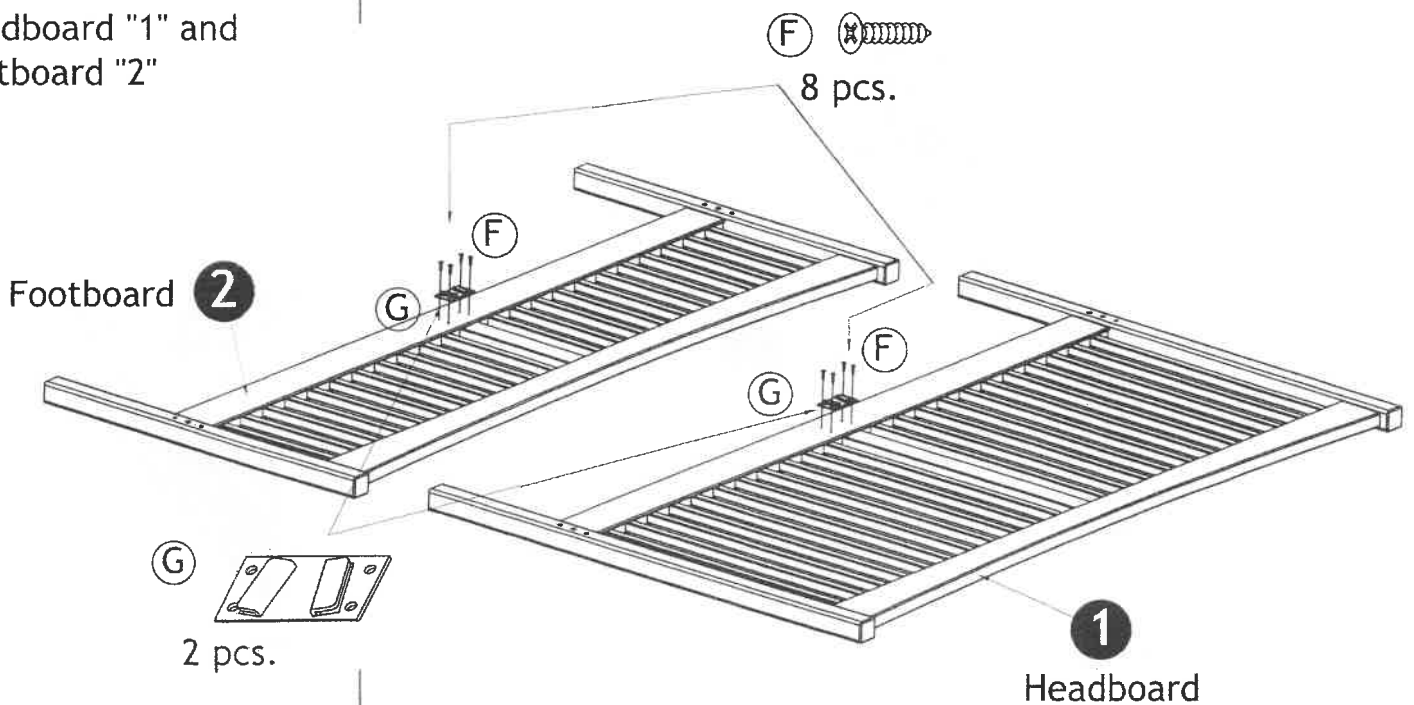
# 1. Insert the dowels to the sides

Knock the dowels "C" into the holes indicated on the side panels "5"



# 2. Mounting support plates.

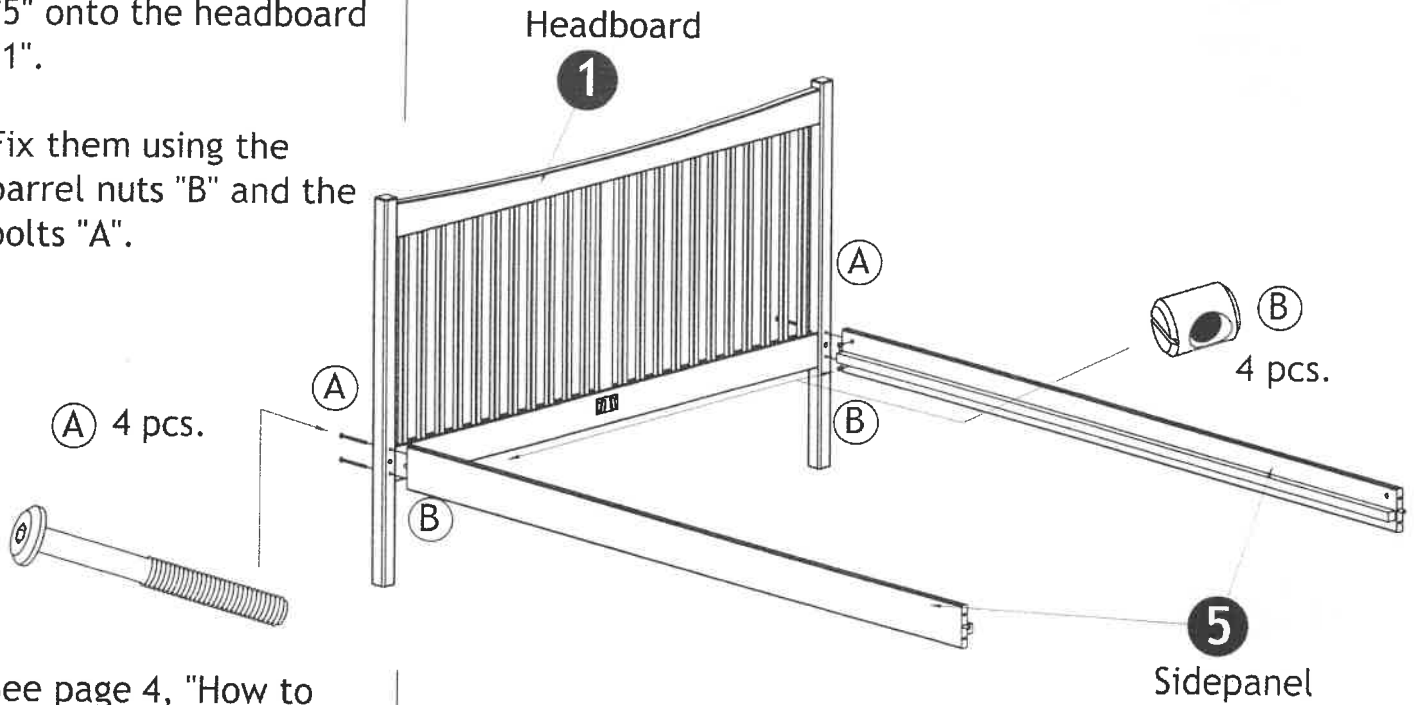
Screw support plate "G" with screw's "F" into the holes indicated on the headboard "1" and footboard "2"



### 3. Mounting the side panels to the headboard.

Press the side panels "5" onto the headboard "1".

Fix them using the barrel nuts "B" and the bolts "A".

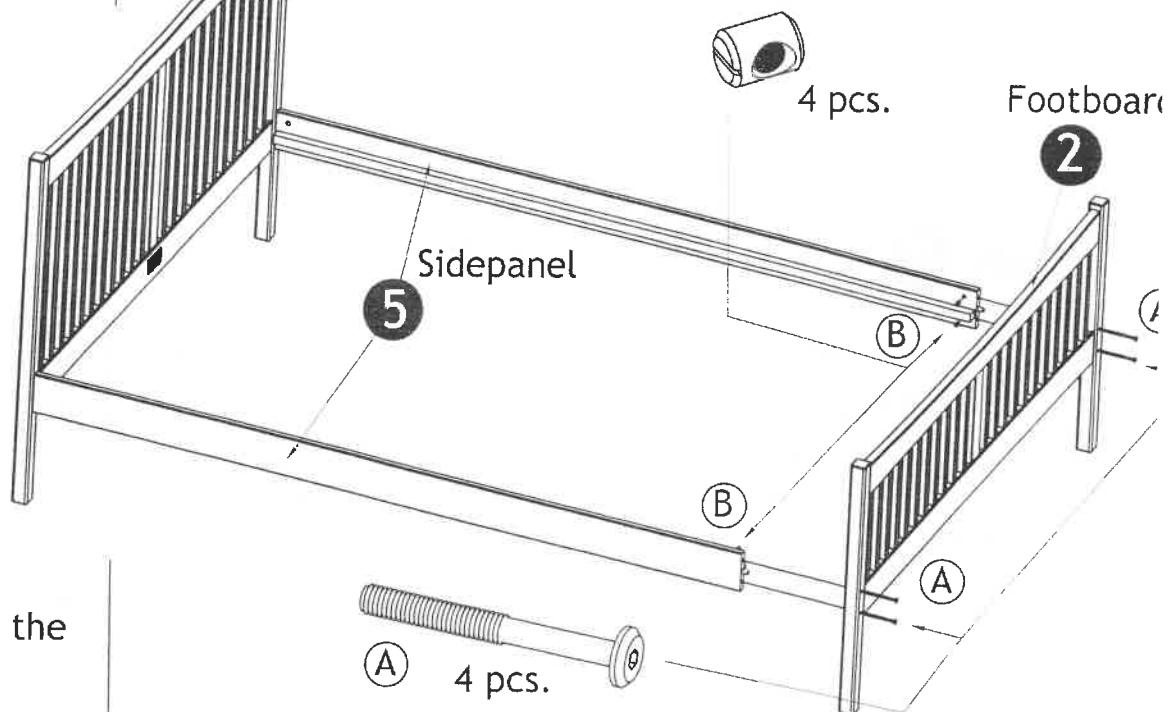


See page 4, "How to use the barrel nut and bolt"

### 4. Mounting the footboard to the side panels.

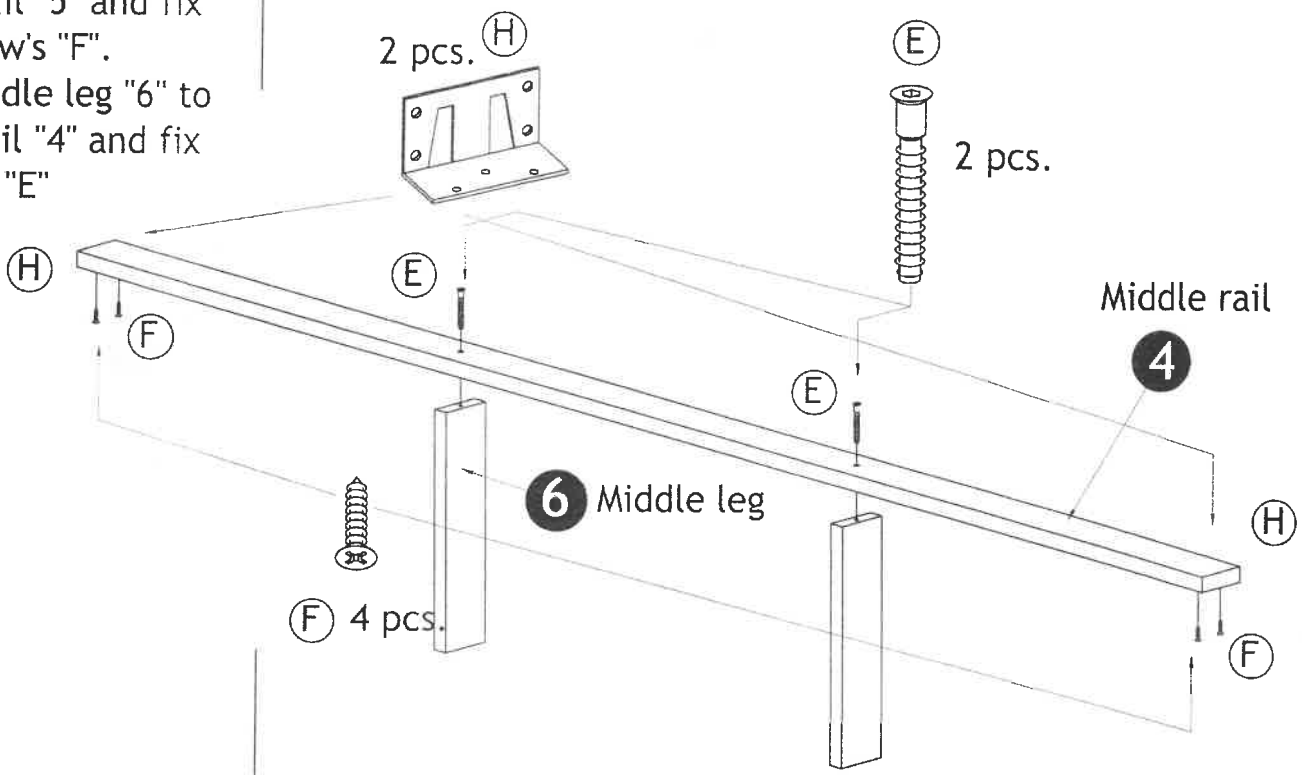
Press the footboard "1" onto the side panels "5".

Fix them using the barrel nuts "B" and the bolts "A".



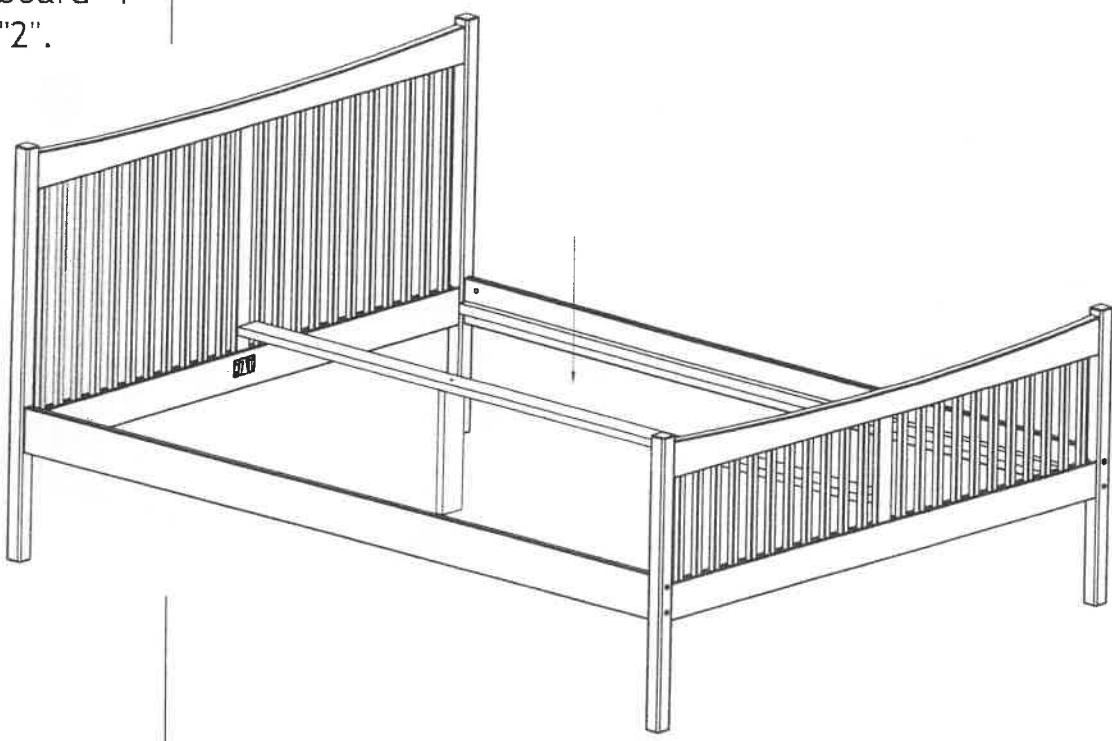
# 5. Mounting the middle leg to the middle rail.

Press support angle to middle rail "5" and fix with screw's "F".  
Press middle leg "6" to middle rail "4" and fix with bolt "E"



# 6. Mounting the middle rail in bed.

Put the assembled middle rail with support plates on headboard "1" and footboard "2".



# 7. Fixing the slats to the slatholders.

Start spreading the slat "5" evenly into the bed frame.

Fix the slats "5" to the slatholders "3" using screws "E".

The distance between the slats is approximate.

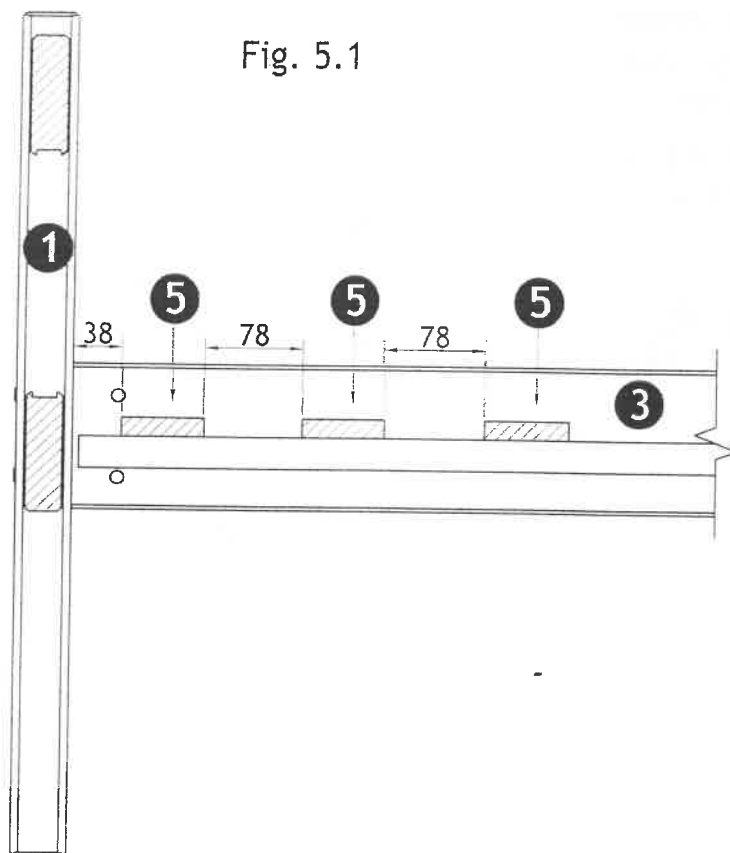


Fig. 5.1

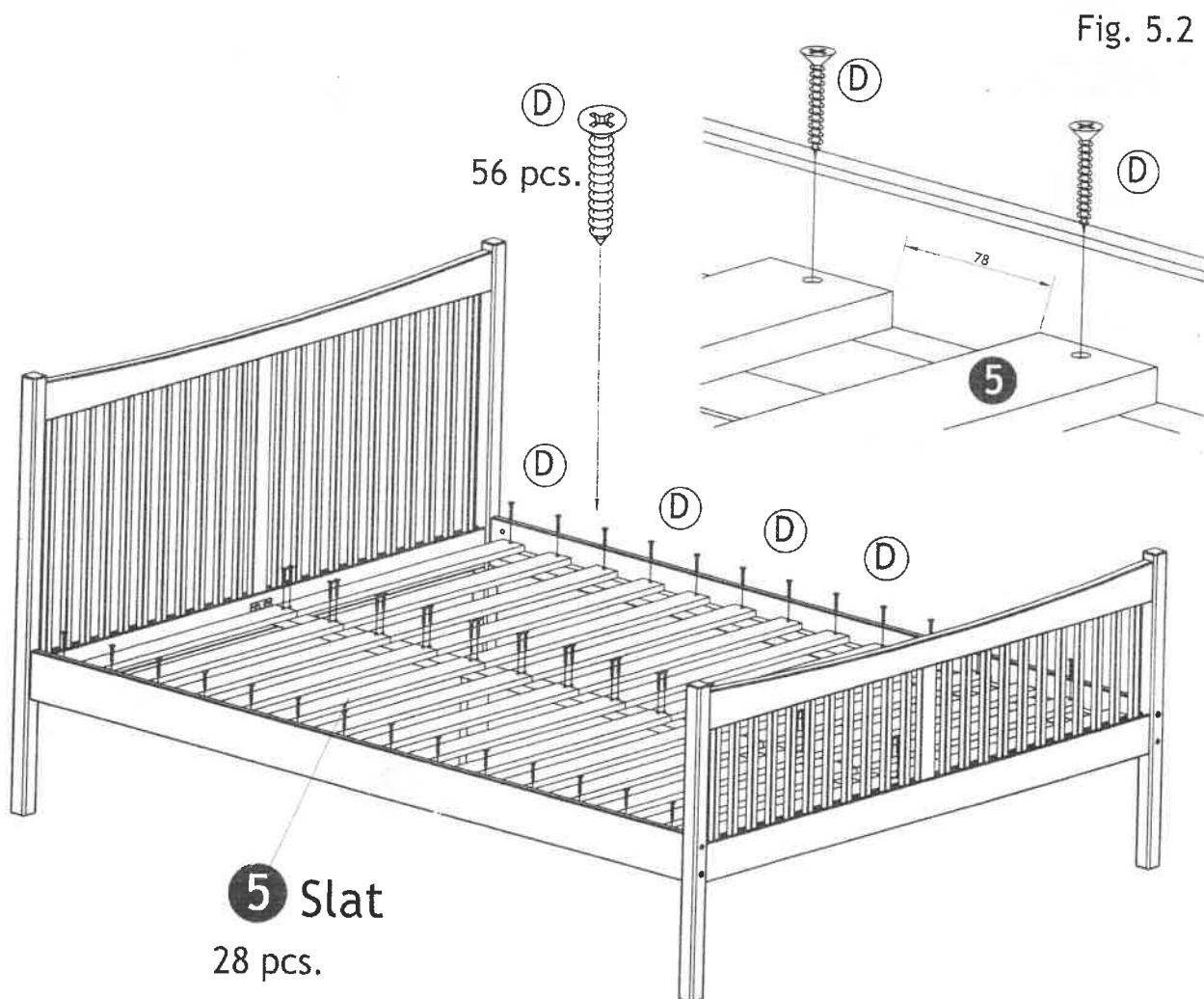


Fig. 5.2

**5** Slat

28 pcs.