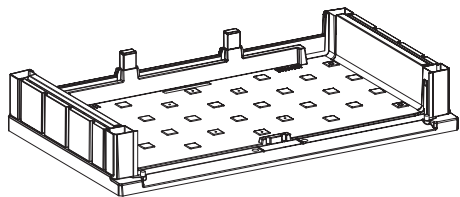


cm 129,5x74,5x111h | in 51x29,3x43,7h

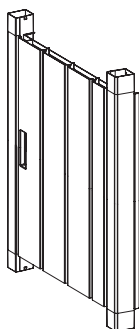


A



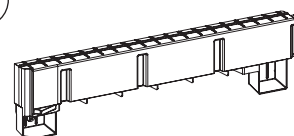
PZ / PCS 1

B



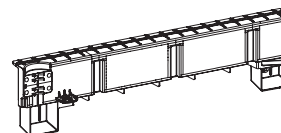
PZ / PCS 2

D



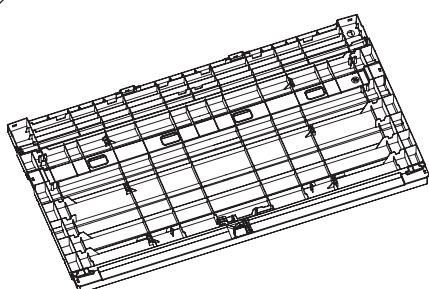
PZ / PCS 1

E



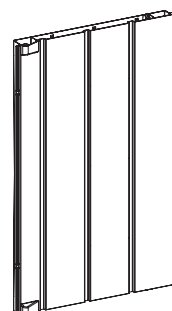
PZ / PCS 1

M



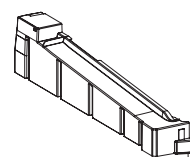
PZ / PCS 1

C



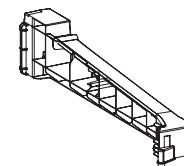
PZ / PCS 2

F



PZ / PCS 1

G



PZ / PCS 1

T



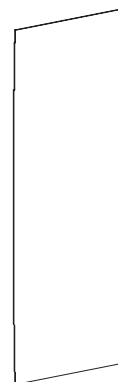
PZ / PCS 2

H



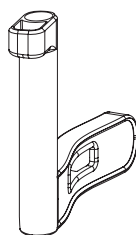
PZ / PCS 4

00



PZ / PCS 3

P

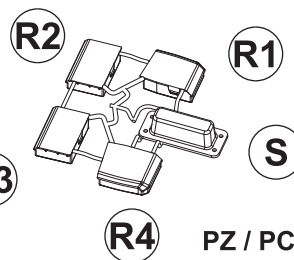


PZ / PCS 1

N

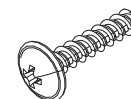


PZ / PCS 1



PZ / PCS 1

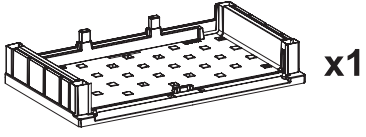
I



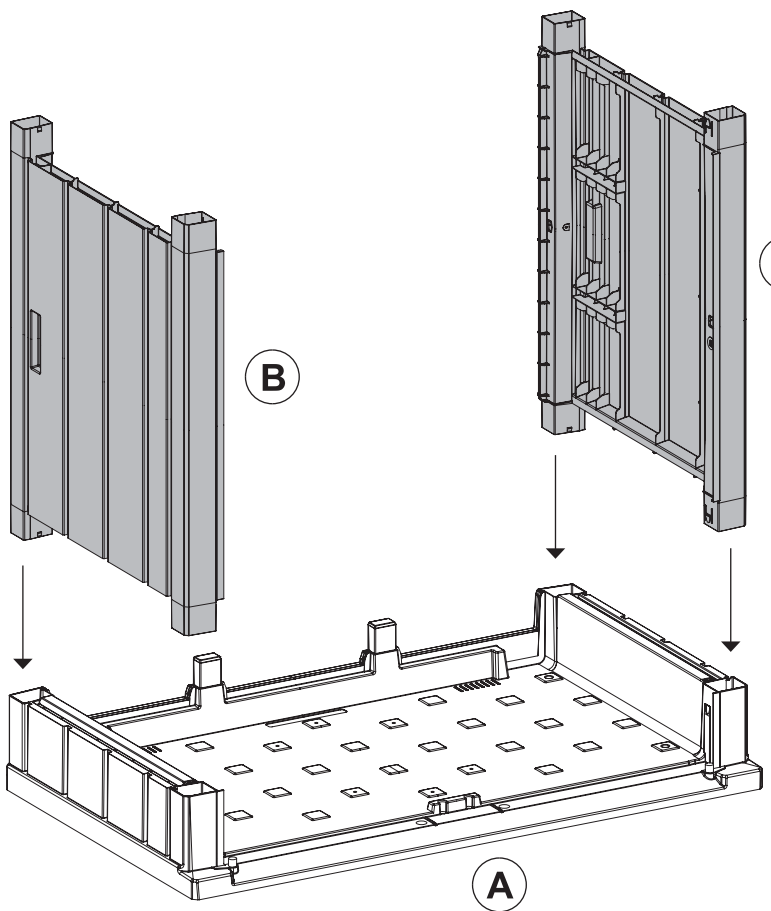
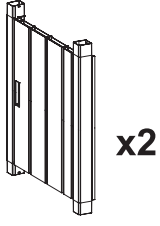
PZ / PCS 8

1

A

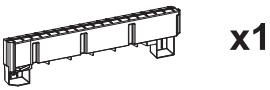


B

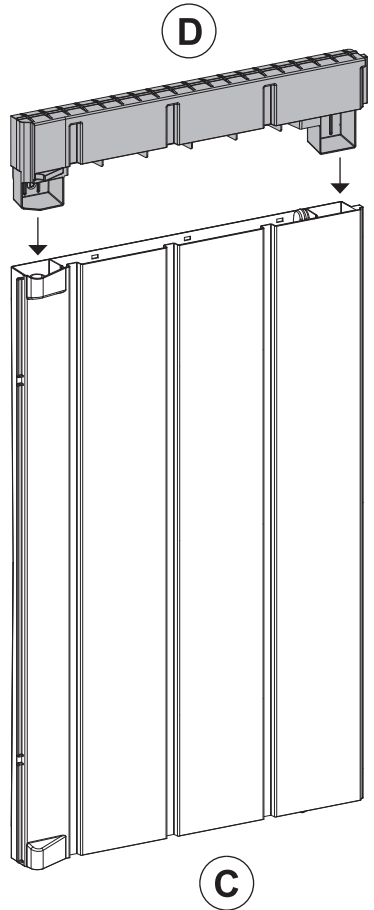
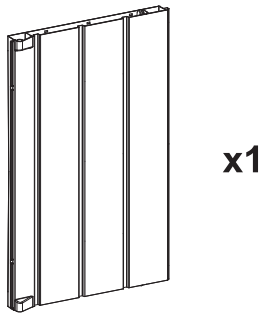


2

D



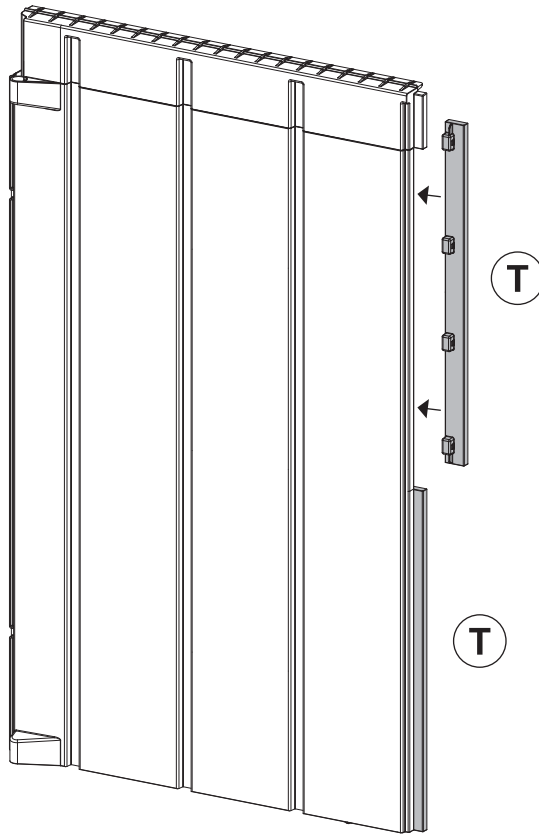
C



3

T

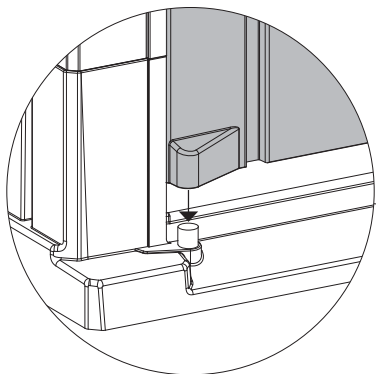
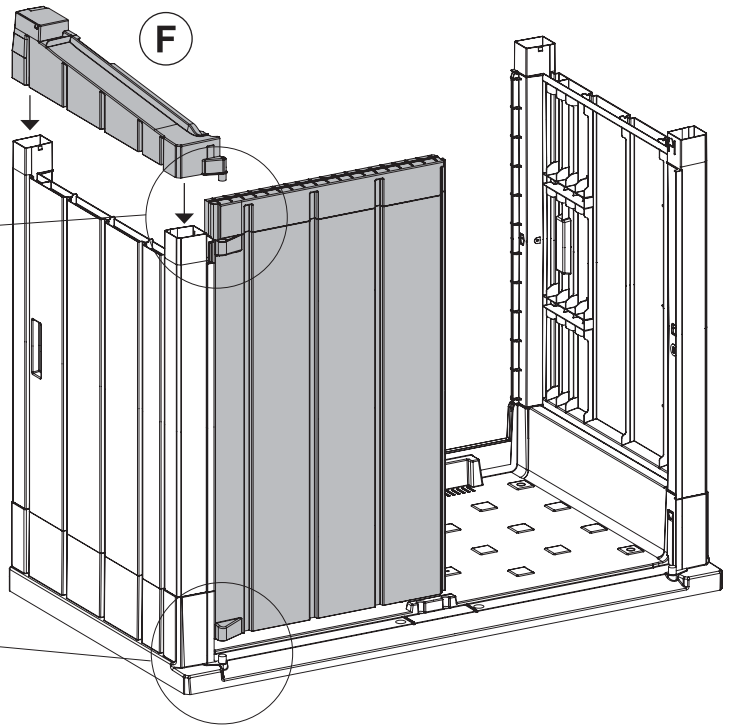
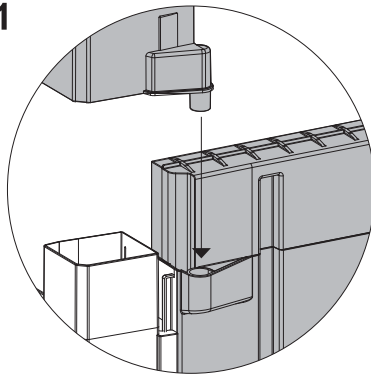
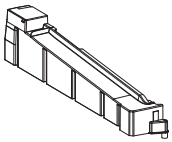
x2



4

F

x1

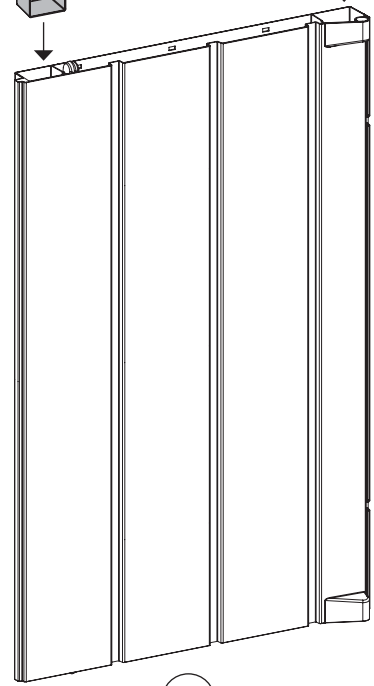
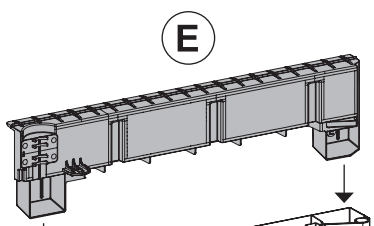
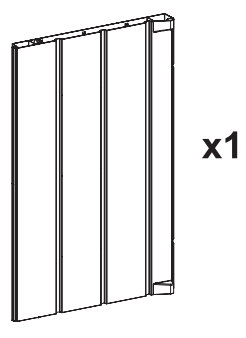


5

E



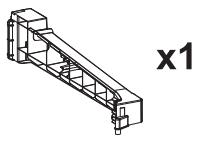
C



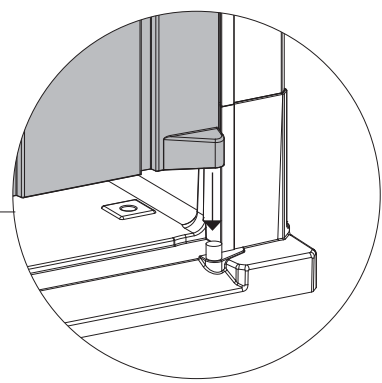
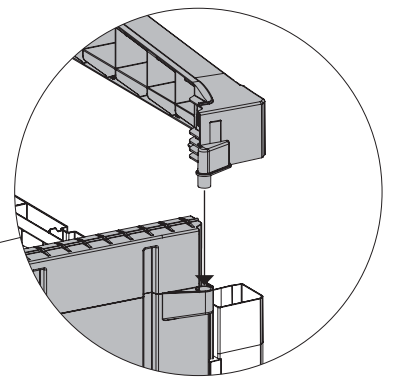
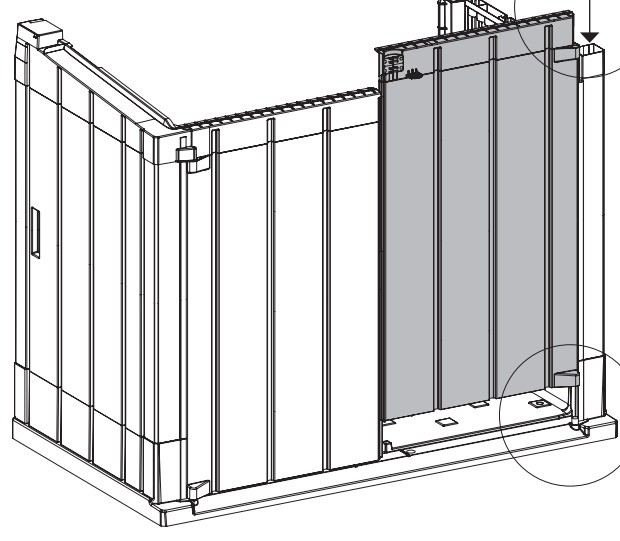
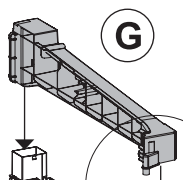
C

6

G



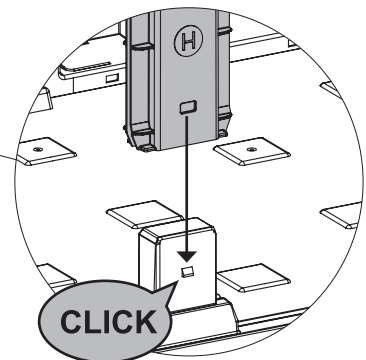
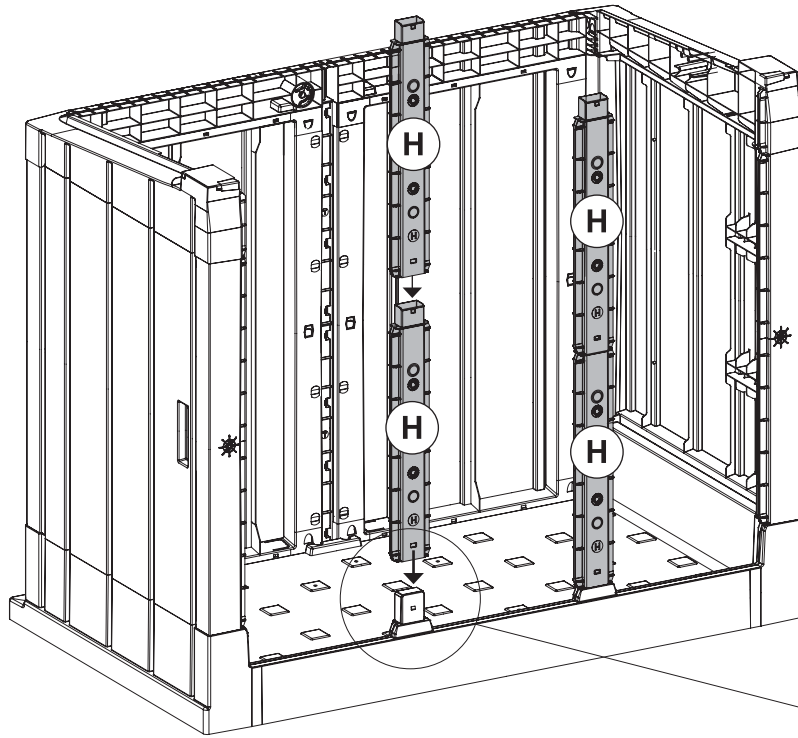
G



7

H

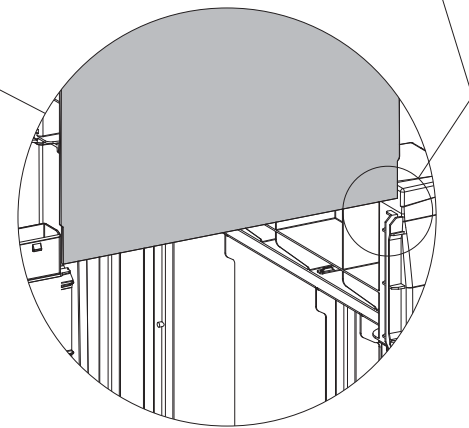
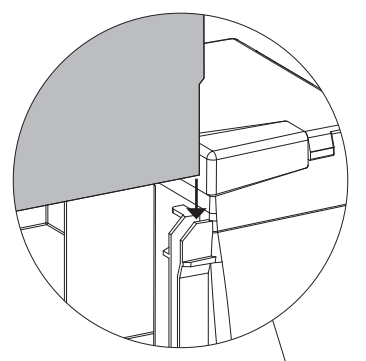
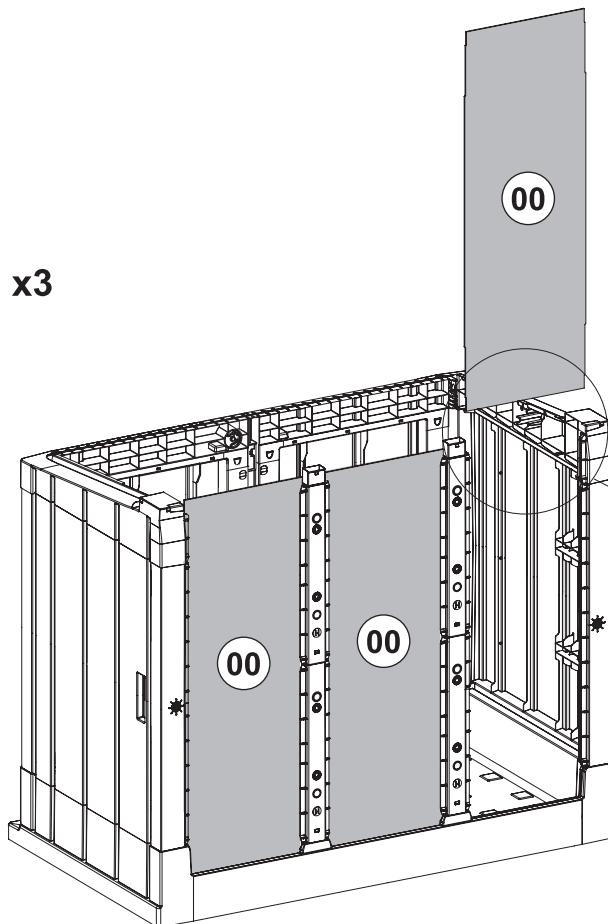
x4



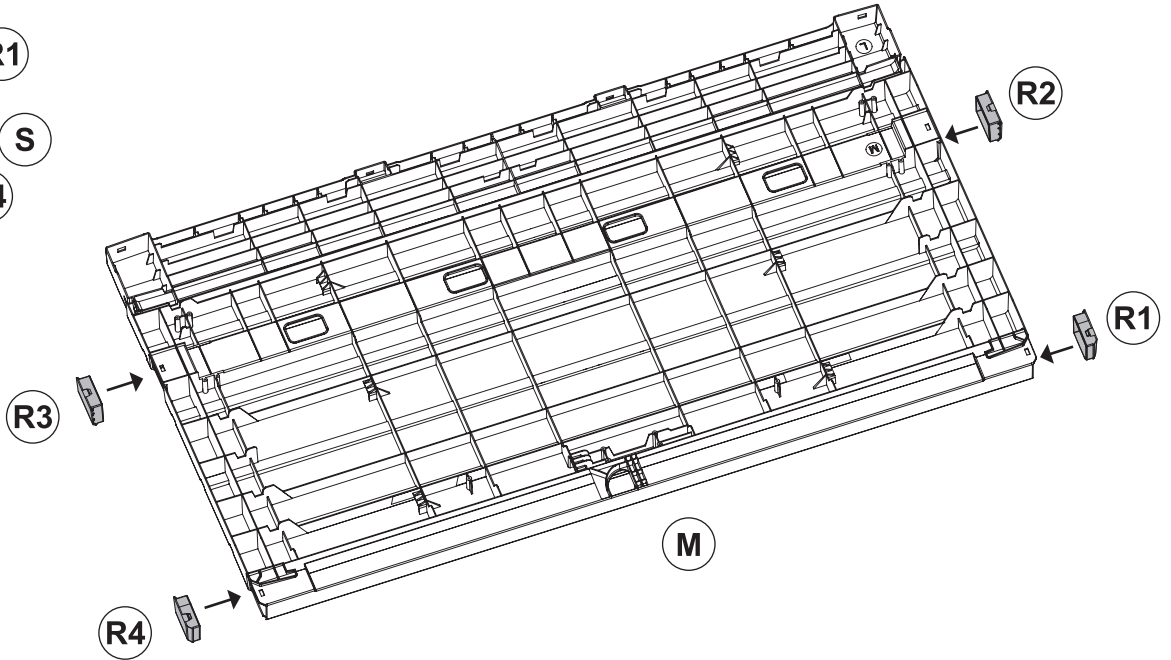
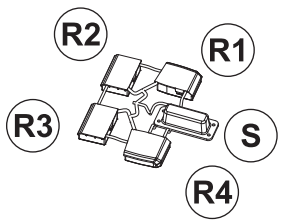
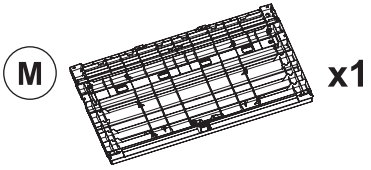
8

00

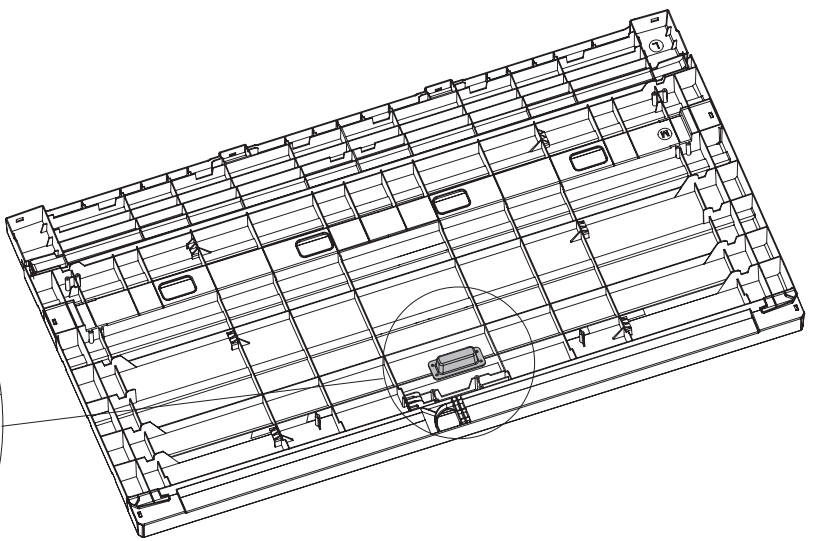
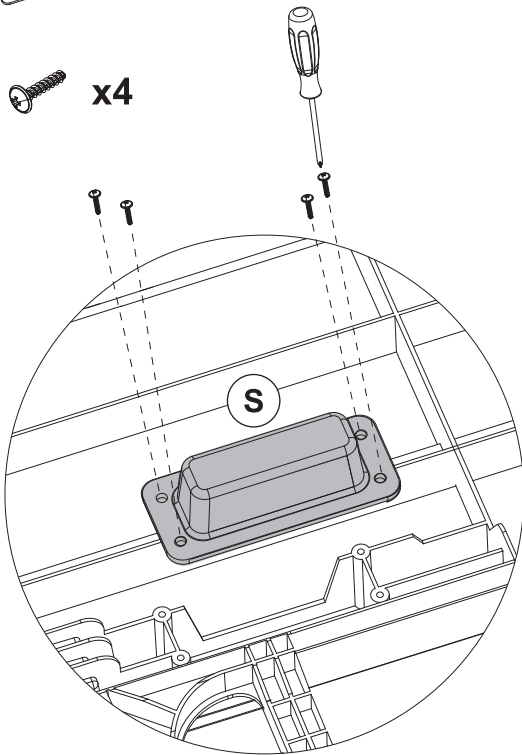
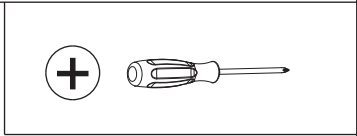
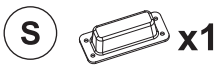
x3



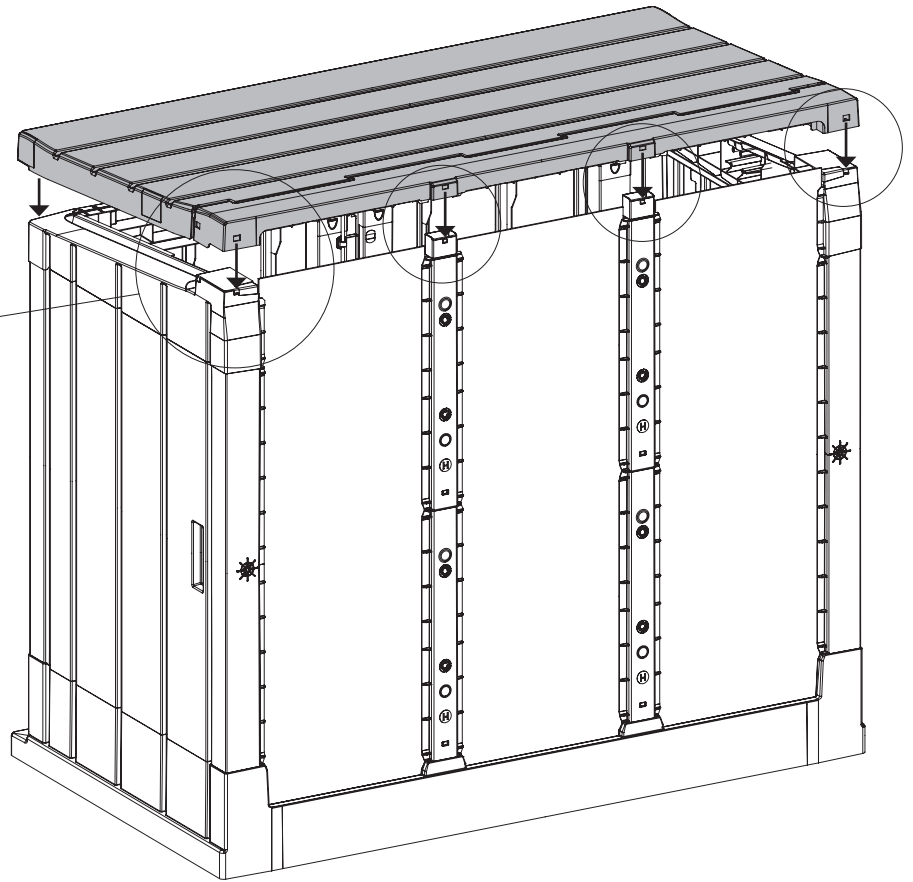
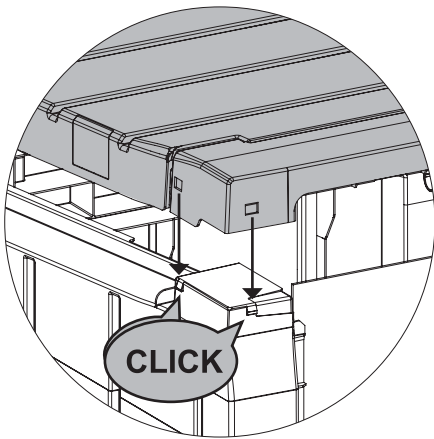
9



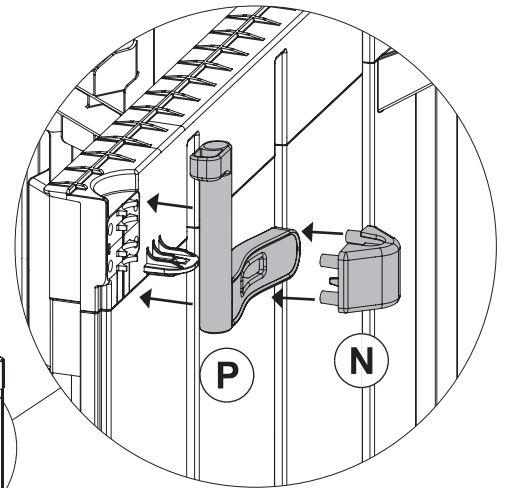
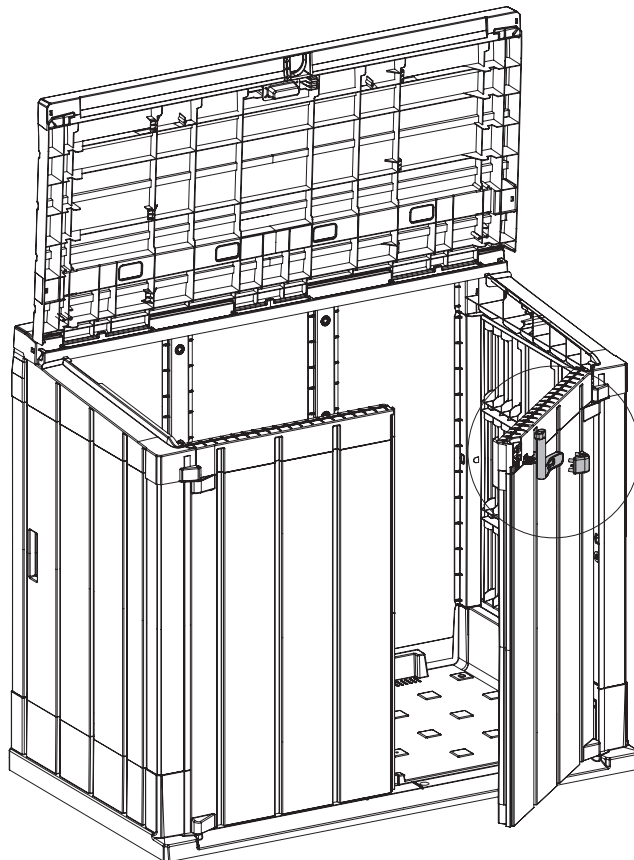
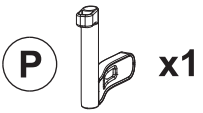
10



11

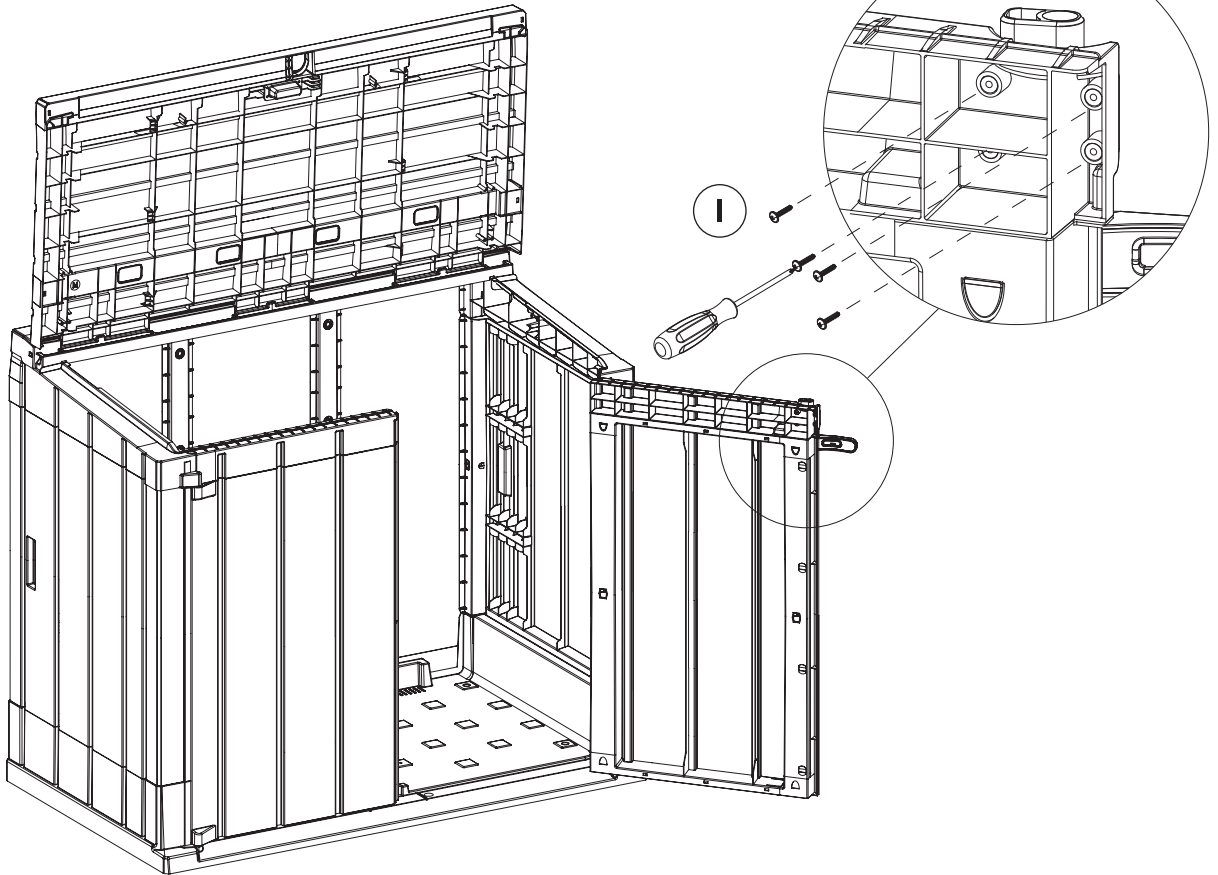


12



13

I  x4



14

