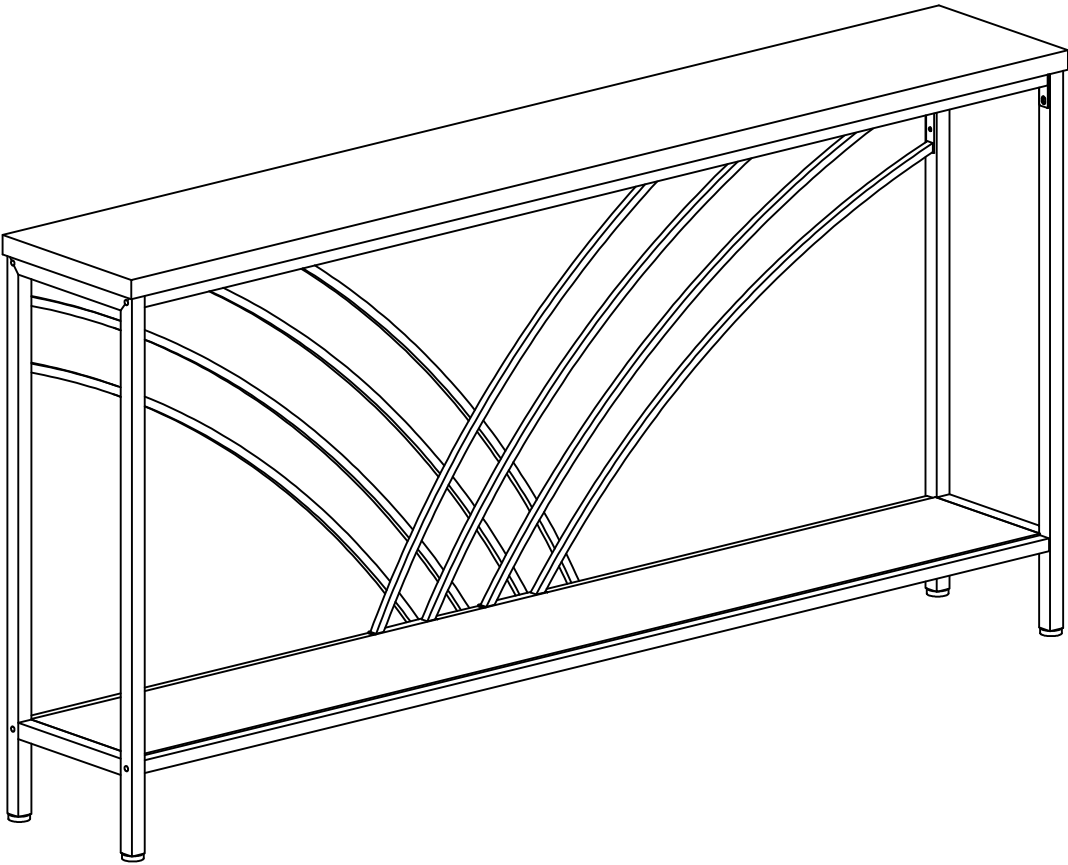


Assembly Instructions

Console Table



Call us!

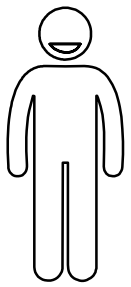
We're here to help!

If you have any issues with this product, please contact our customer service team **before returning** it.

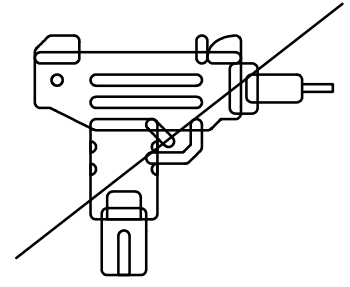
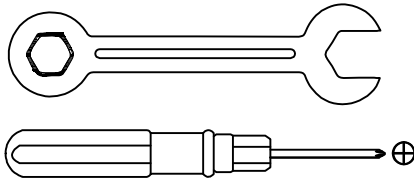
We want you to be completely satisfied with your purchase! If anything is missing, damaged, incorrect, or not what you expected, don't worry. Please keep the outer packaging and take photos of both the packaging and products, and then reach out to us or call us. We'll take care of everything and send you a free replacement, so you can enjoy your purchase as soon as possible without any hassle.

Assembly Instructions:

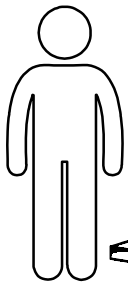
1. Carefully read these instructions and keep them for future reference.
2. Refer to the parts list for guidance and ensure that you have all the pieces before starting the assembly process, if anything is missing, damaged, incorrect, contact us **FIRSTLY BEFORE** assembling.
3. When assembling, place all parts on a soft, clean, and flat surface, such as a carpet, to prevent any scratches.
4. To avoid misalignment of the holes, Please don't full tighten the screws until you ensure all parts in place.



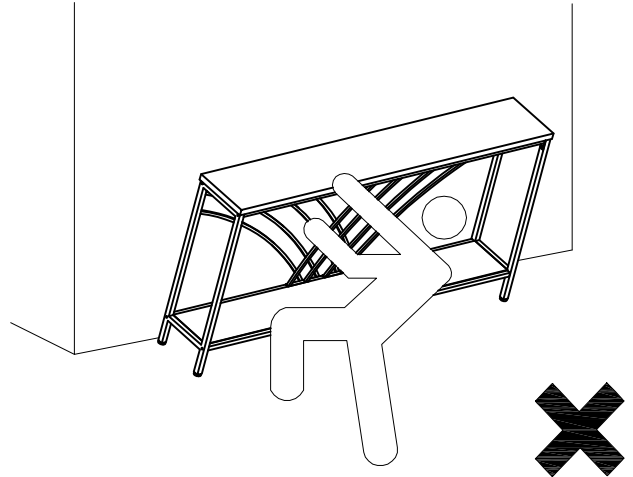
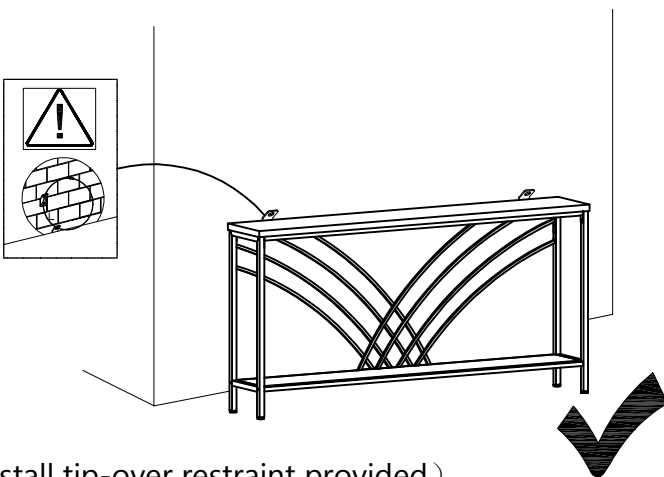
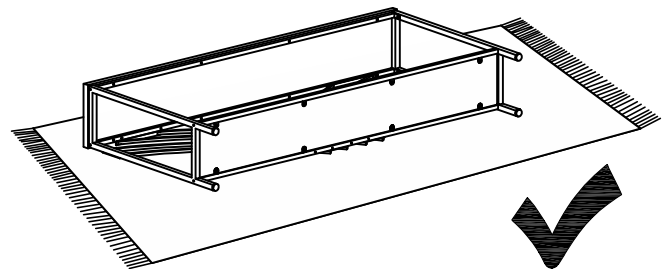
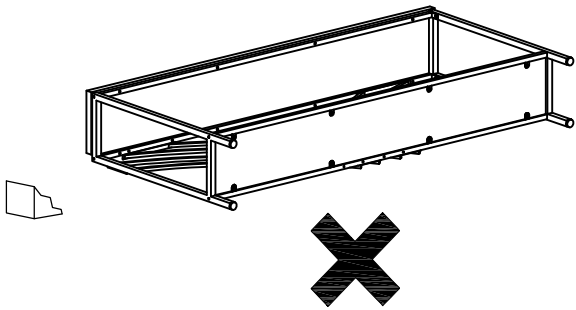
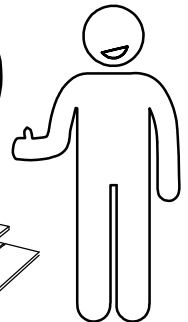
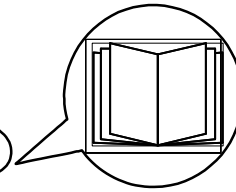
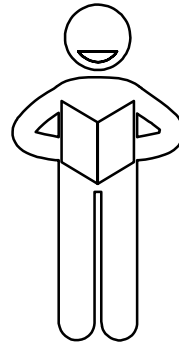
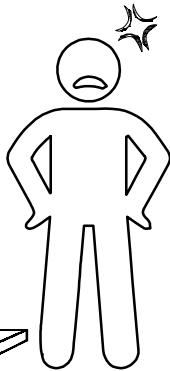
X2



When using the electric screwdriver ,
Reduce the power and torque to avoid damaging the furniture

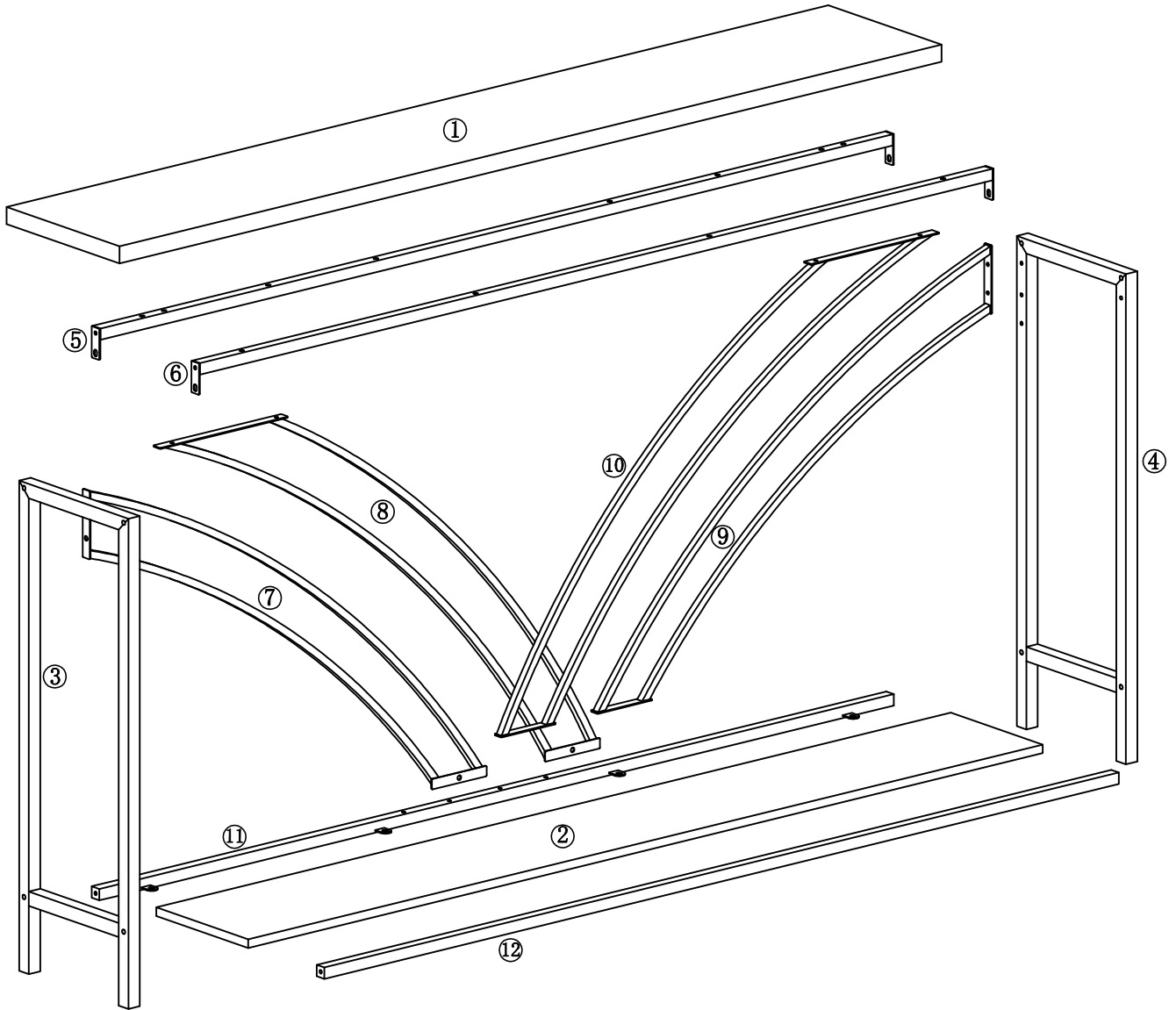



?



(Install tip-over restraint provided)

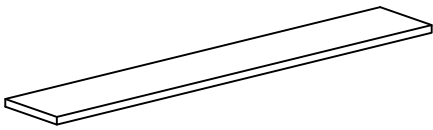
Use of tip-over restraints may only reduce but not eliminate,
the risk of tip-over.



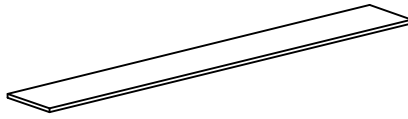
 Caution

Make sure all parts are included. Most board parts are labeled or stamped on the raw edge. Contact us for free replacement if having damaged or missing parts.

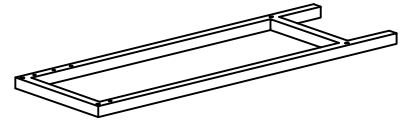
Parts & Hardware List



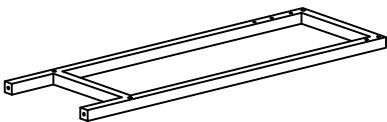
① 1pc



② 1pc



③ 1pc



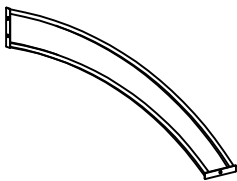
④ 1pc



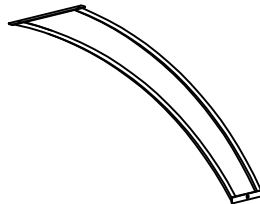
⑤ 1pc



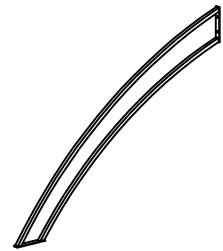
⑥ 1pc



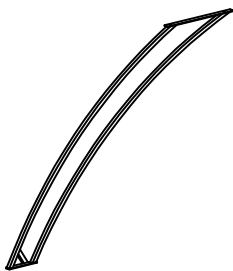
⑦ 1pc



⑧ 1pc



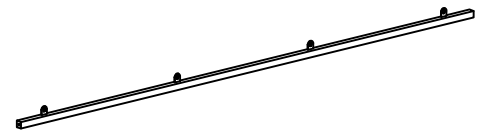
⑨ 1pc



⑩ 1pc

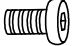
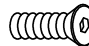
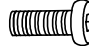
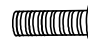
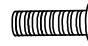

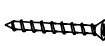

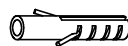


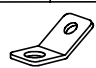


⑪ 1pc

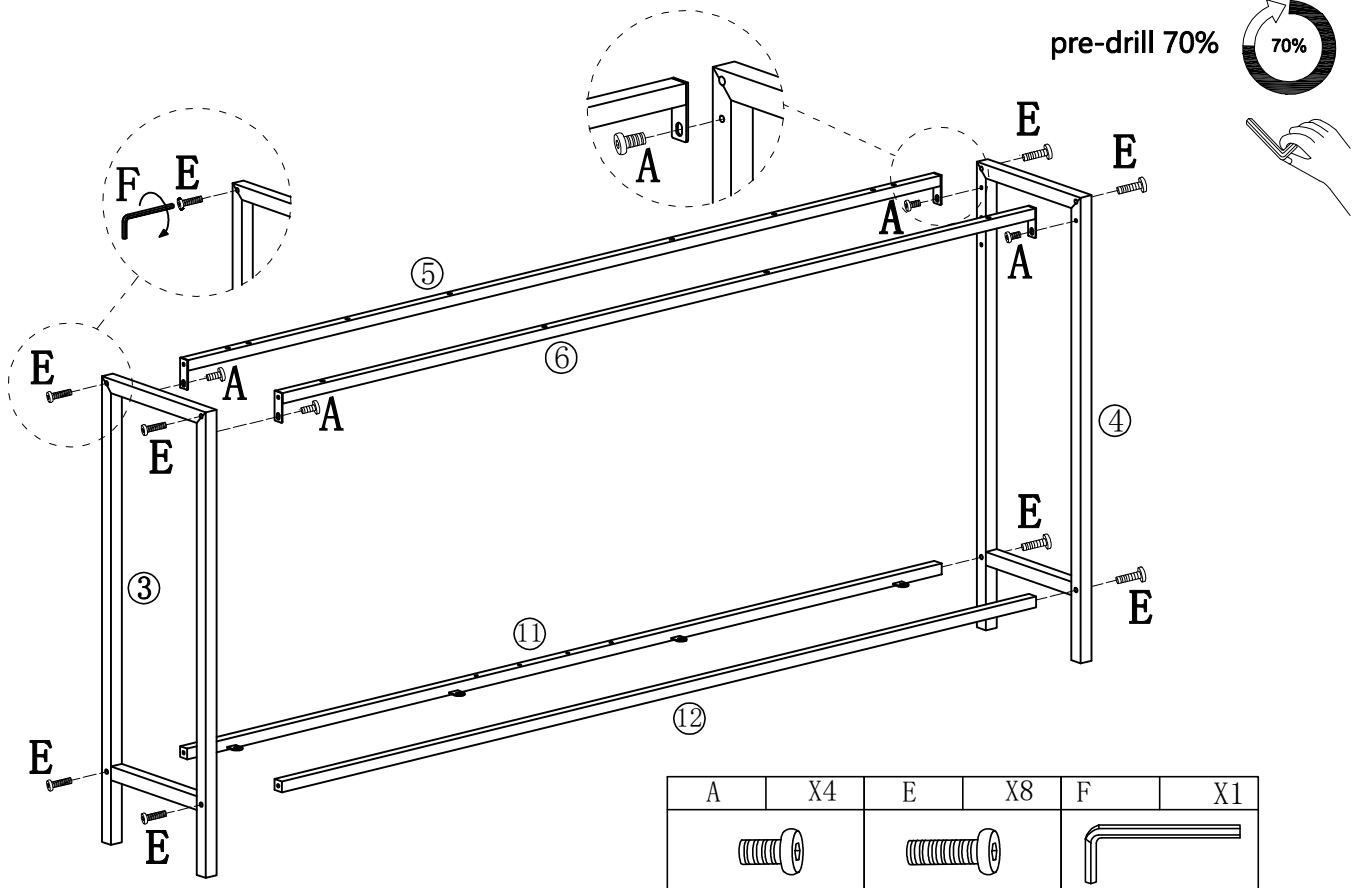





⑫ 1pc

Hardware List

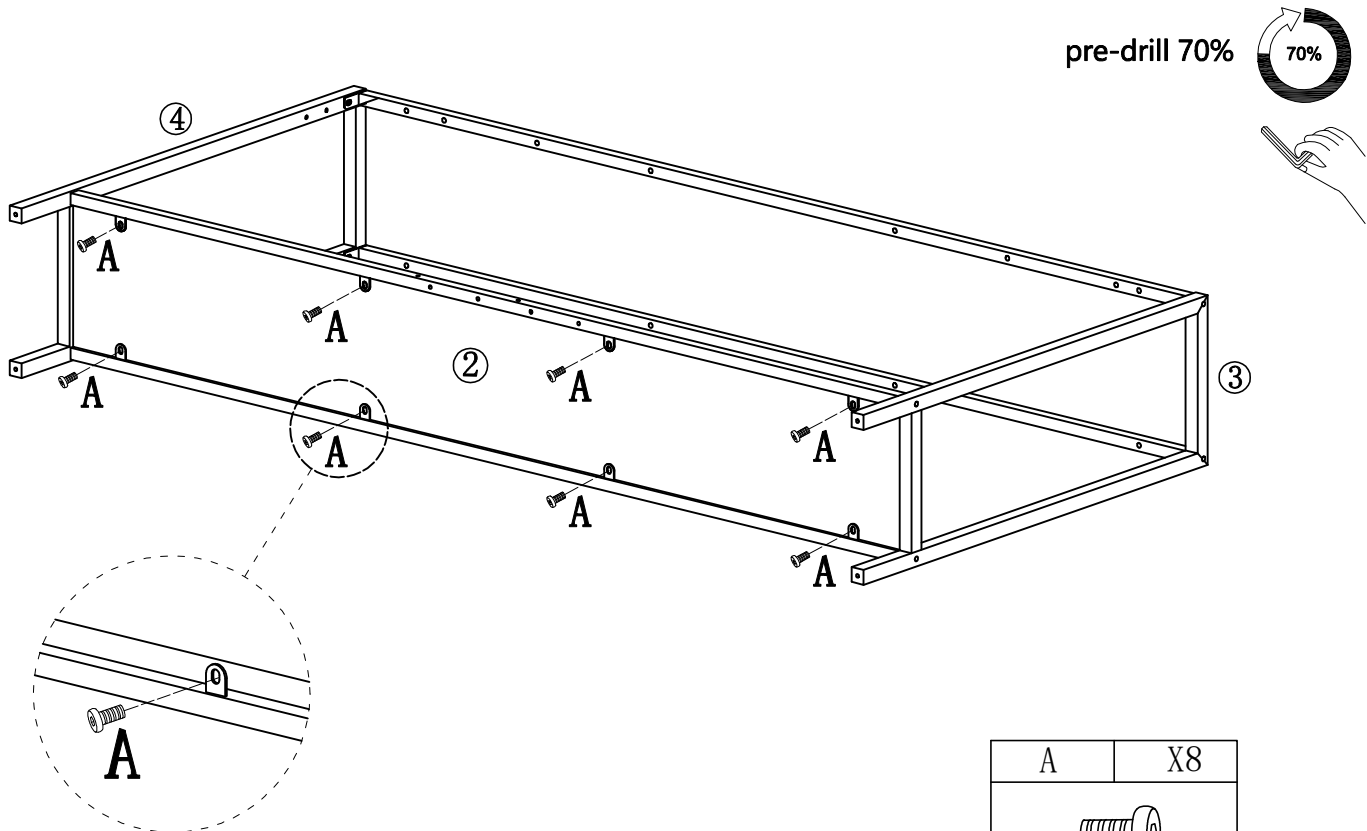
A	X18+1	B	X4+1	C	X4+1	D	X8+1	E	X8+1	F	X1
											
M6*12mm		M6*28mm		M6*25mm		M6*30mm		M6*45mm		M4X55	
G	X2+1	H	X4	I	X2	J	X2	K	X2+1	L	X4
											
φ 4X35mm		M6*φ32		ø8*40mm		L250mm		3.5*14mm		26*13mm	

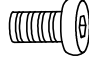
1



A	X4	E	X8	F	X1
					
M6*12mm		M6*45mm		M4X55	

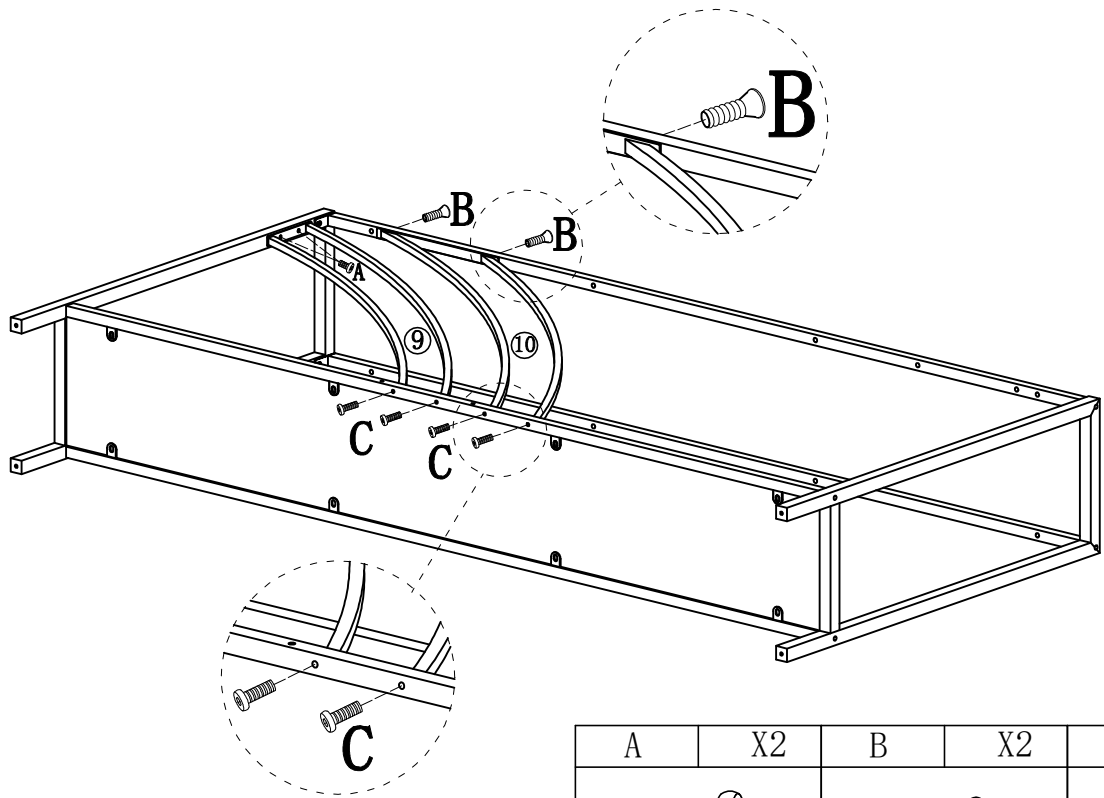
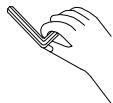
2



A	X8
	
M6*12mm	

3

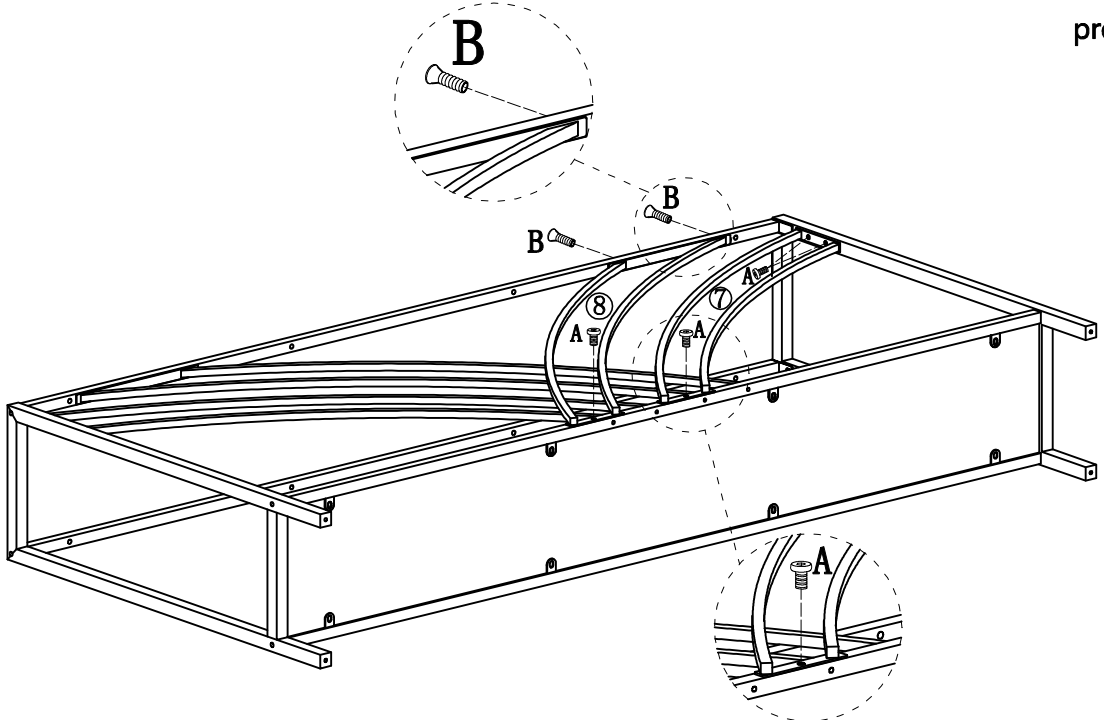
pre-drill 70%



A	X2	B	X2	C	X4
M6*12mm		M6*28mm		M6*25mm	

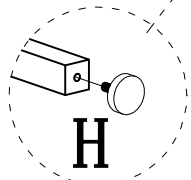
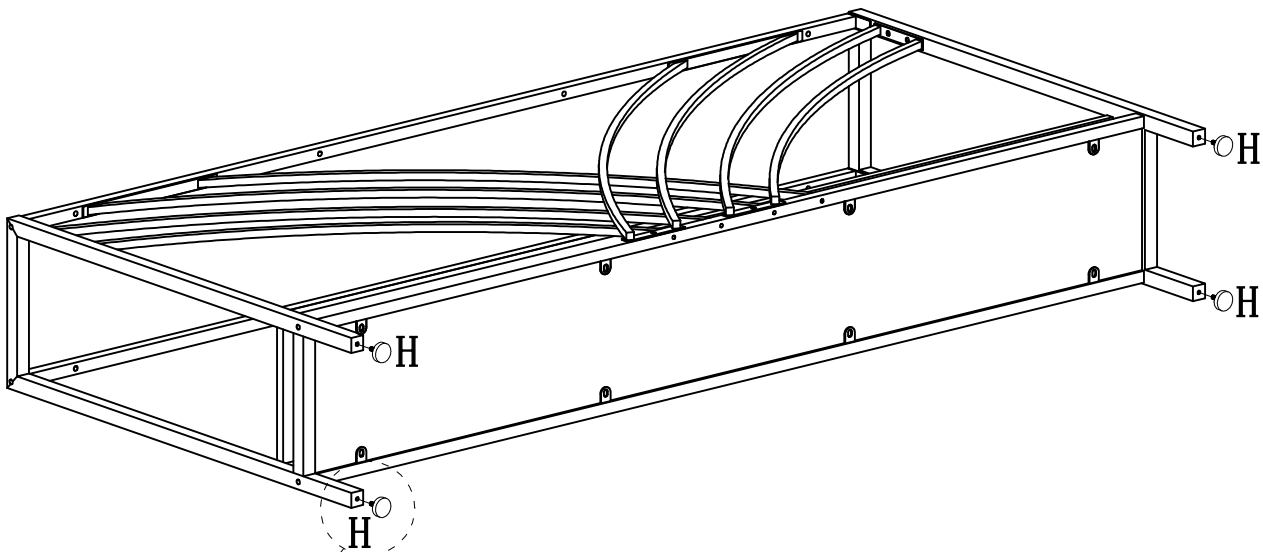
4

pre-drill 70%



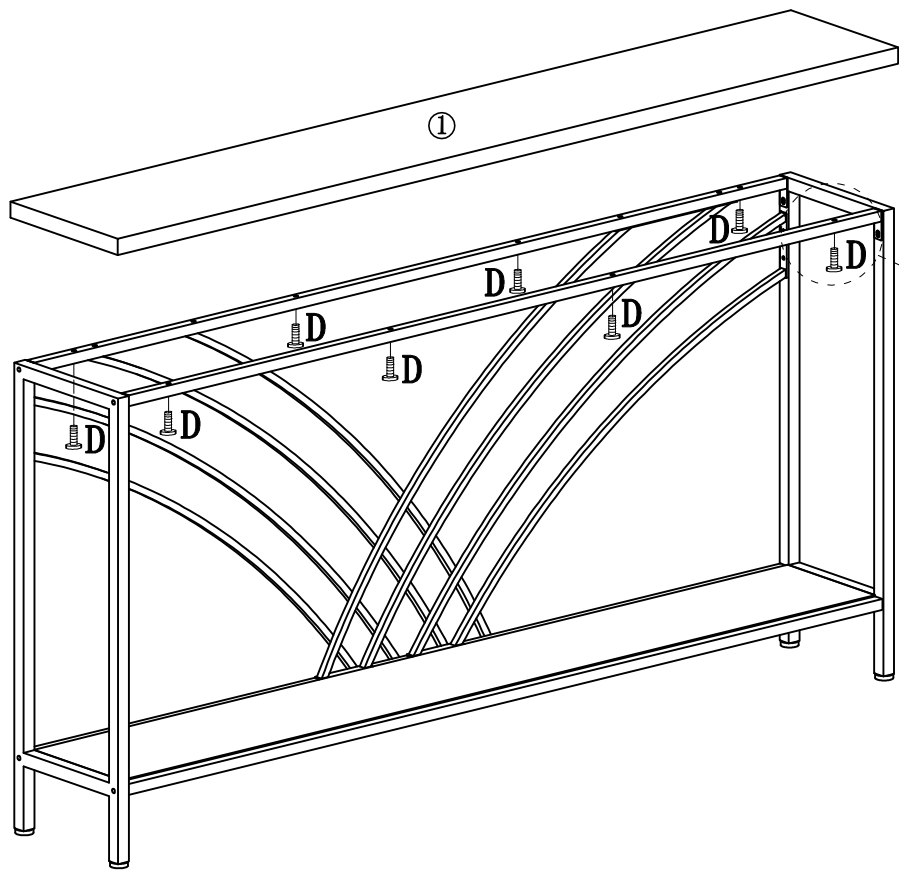
A	X4	B	X2
M6*12mm		M6*28mm	

5

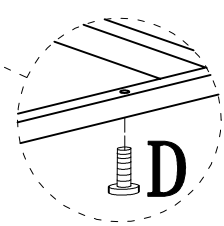
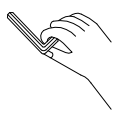


H	X4
M6* \varnothing 32mm	

6

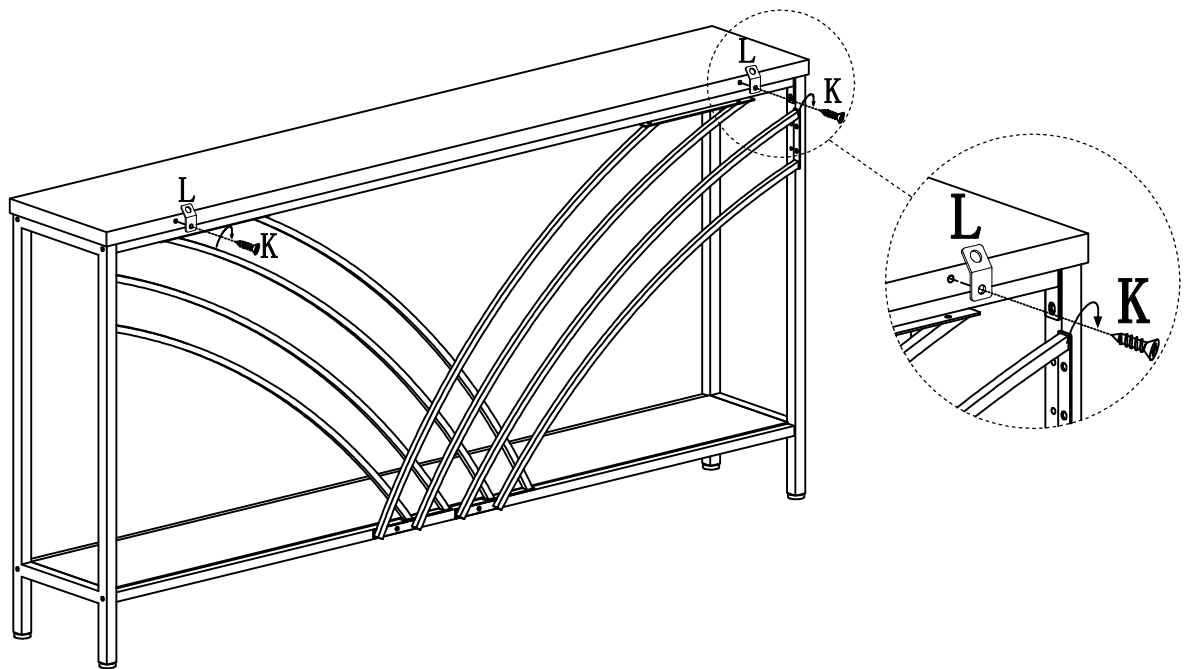




screw down



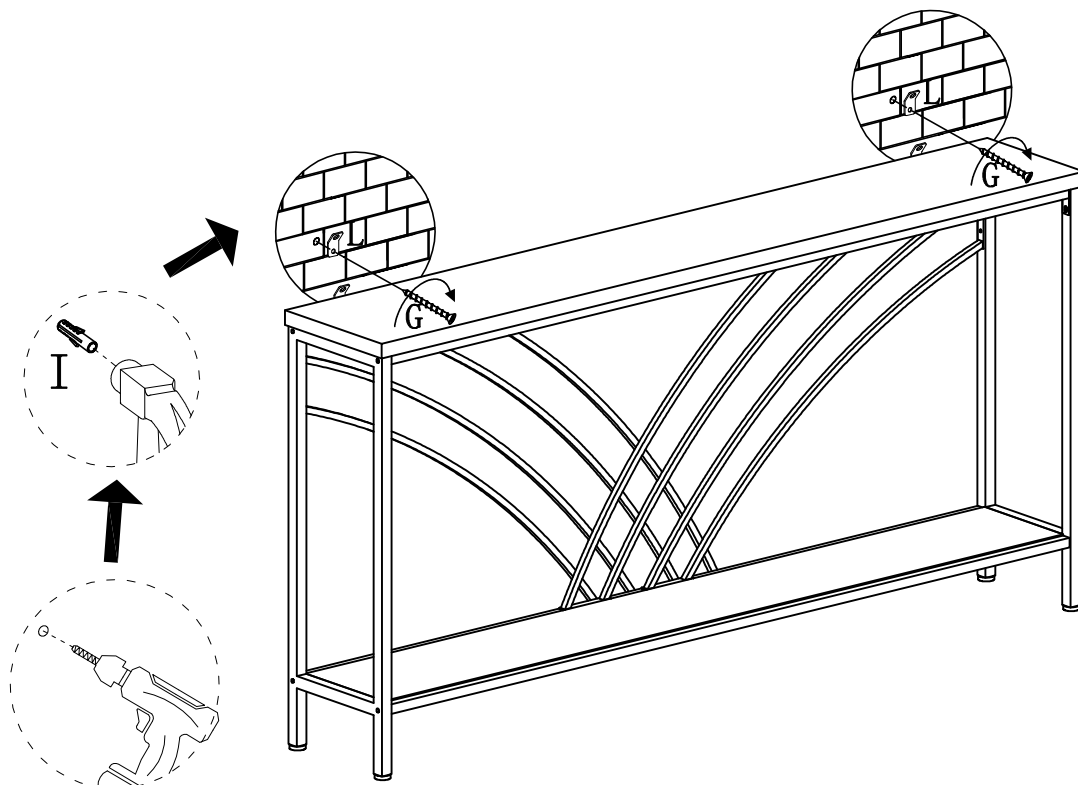
D	X8
M6*30mm	

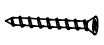
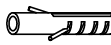

7

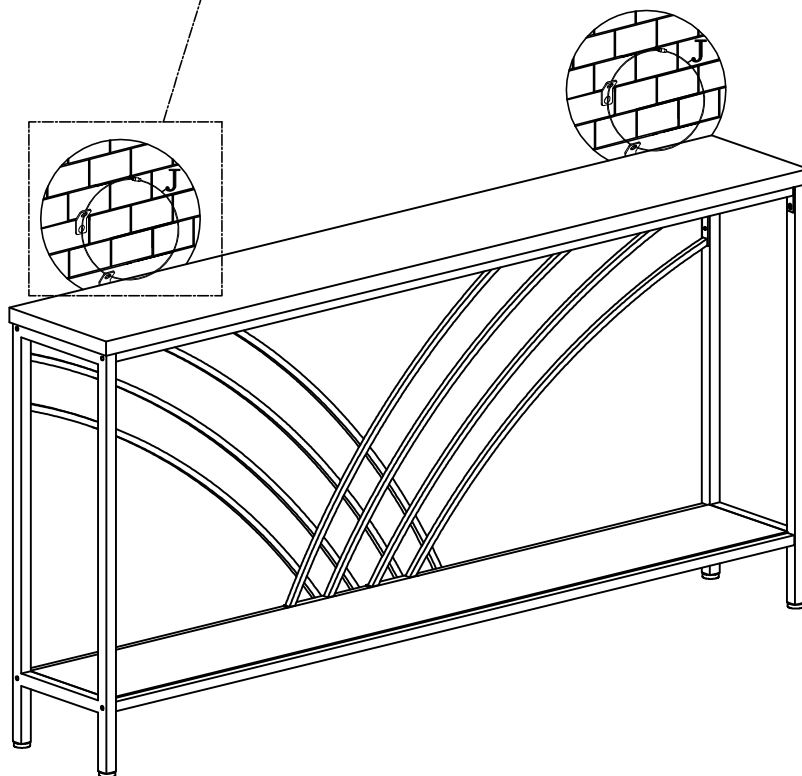
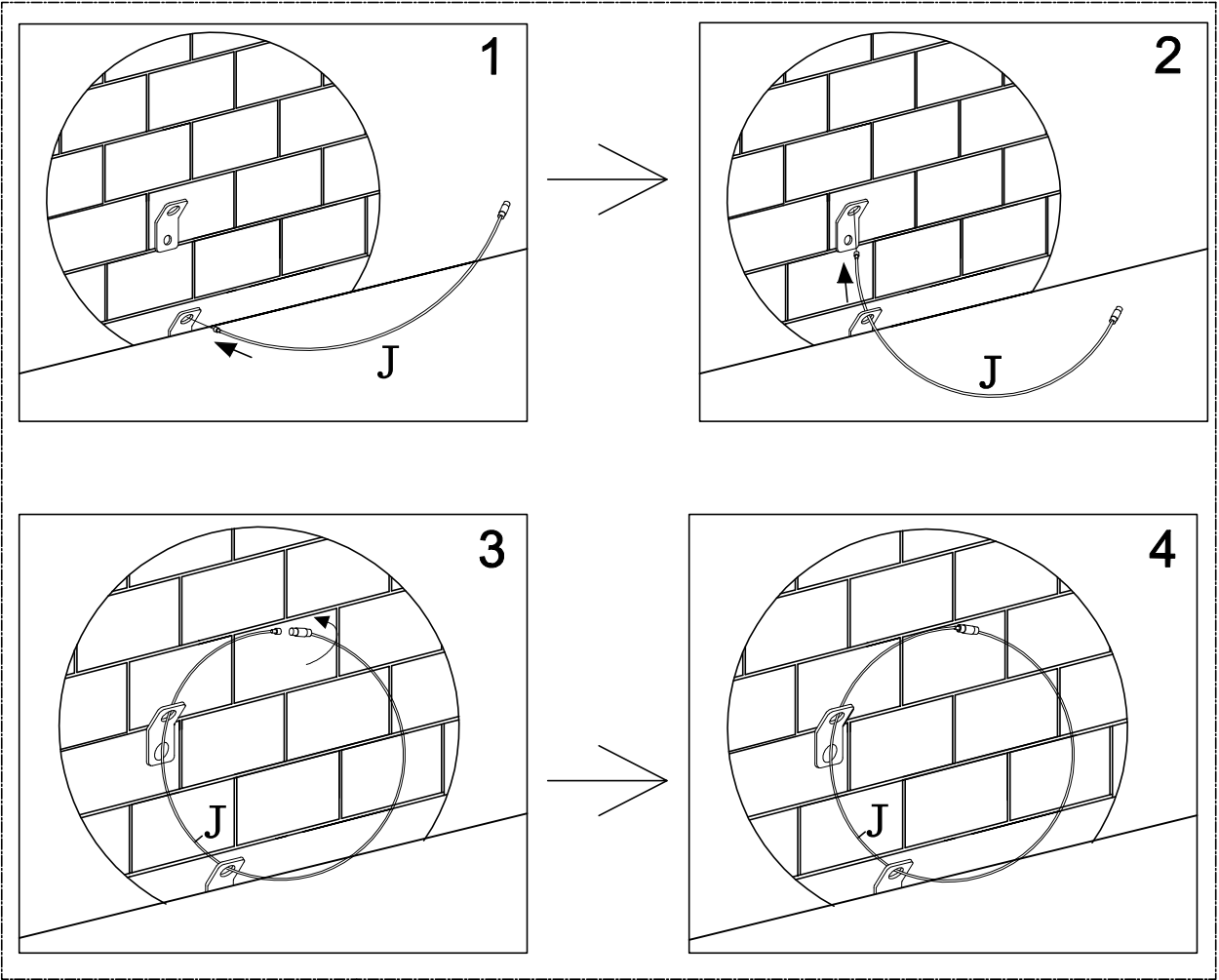


K	X2	L	X2
			
3.5*14mm		26*13mm	

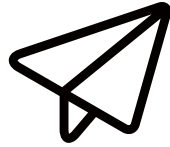
8



G	X2	I	X2	L	X2
					
Φ 4X35mm		∅8*40mm		26*13mm	



J	X2
L250mm	



No heartburn,
when we handle
the return

Our way



Replacement/Refund



You

Their way



Re-package item



Schedule pick-up



Track package



Replacement



You
