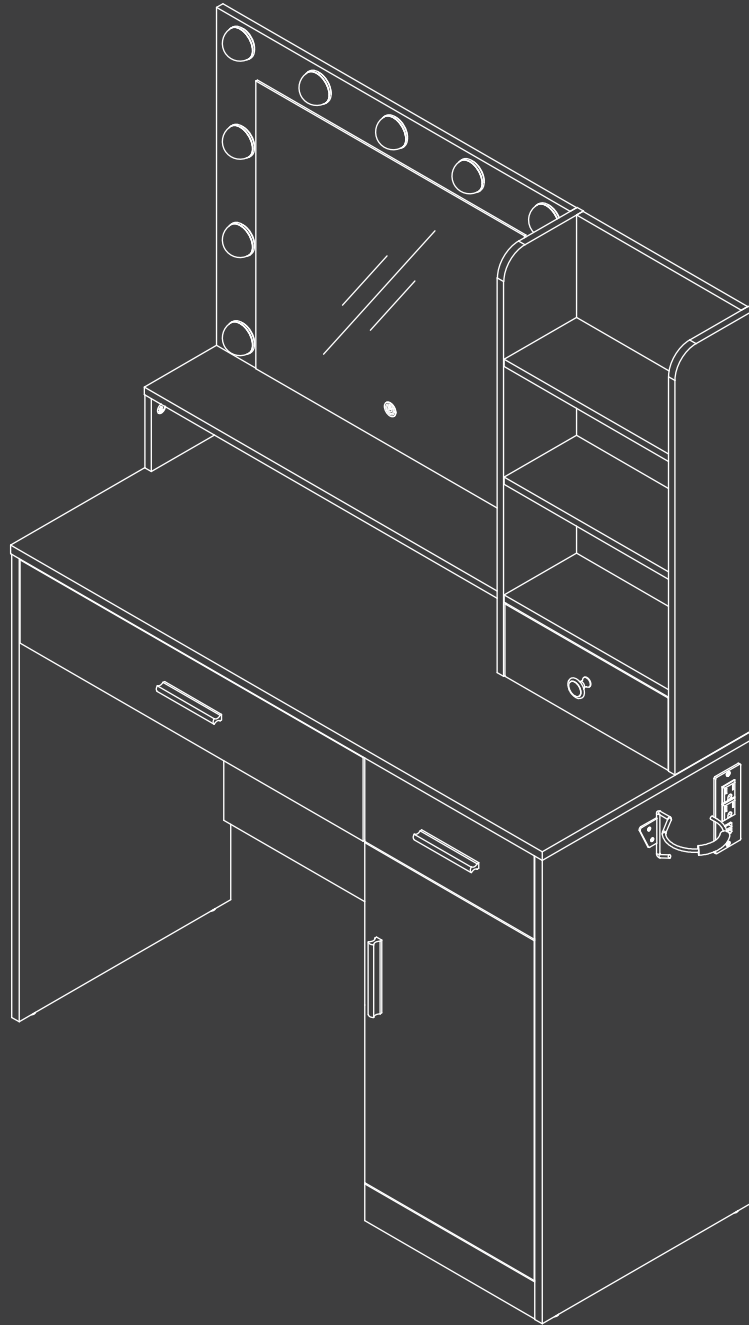


Vanity Desk

Instruction Manual

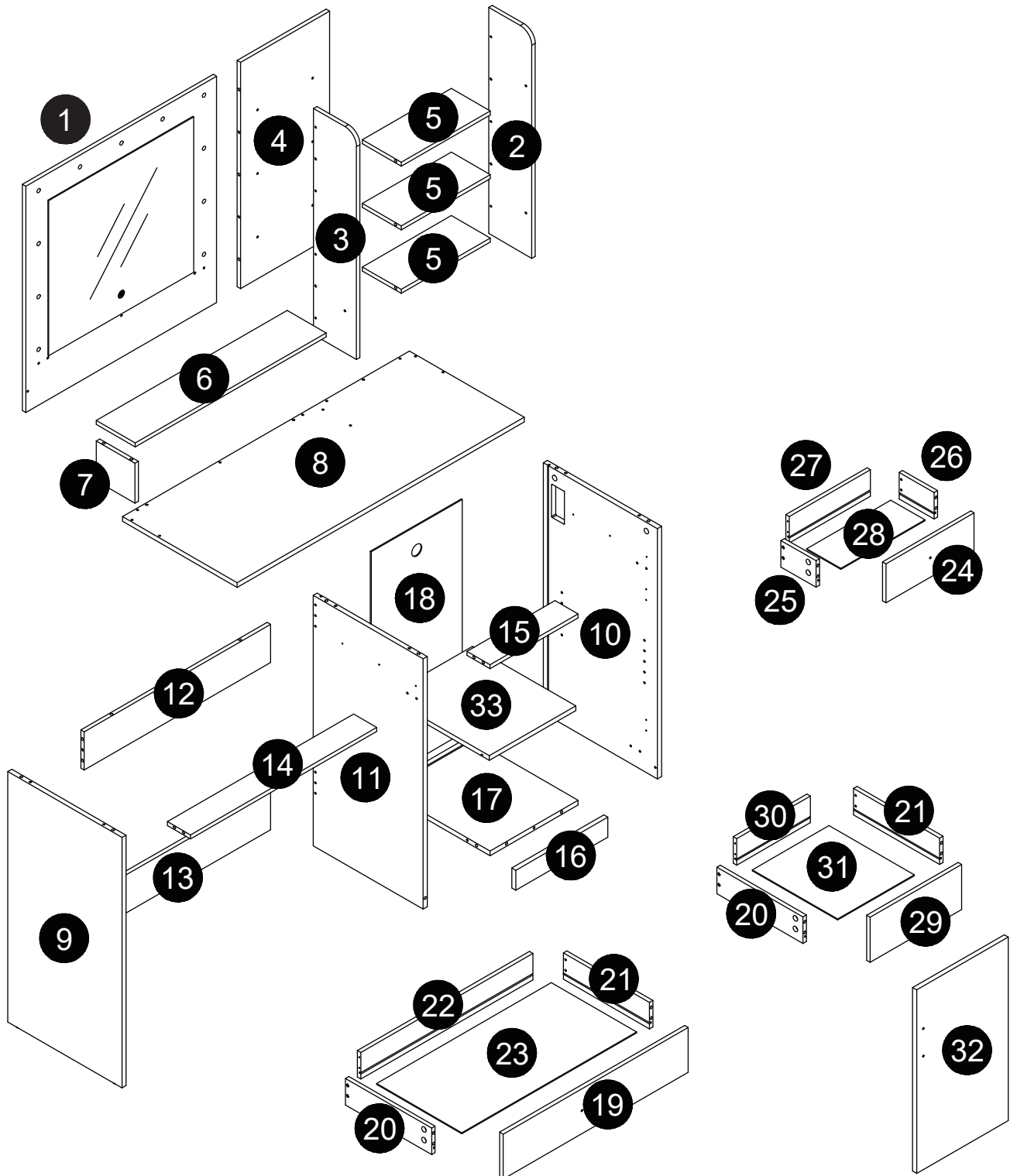
SZT-2CIM-WT



 EST 9:00AM--17:00PM

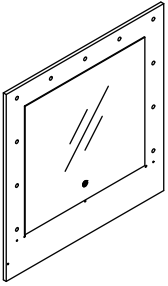
 HJ-Customer-Service@outlook.com

 (909)637-7665 | (909)637-7593



1 Component List

1 X1



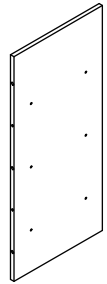
2 X1



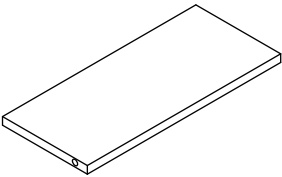
3 X1



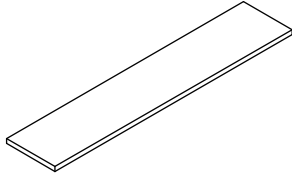
4 X1



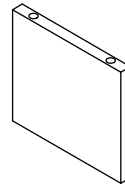
5 X3



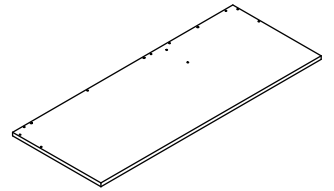
6 X1



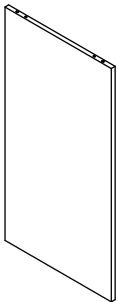
7 X1



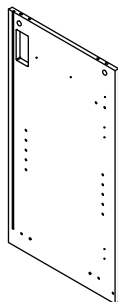
8 X1



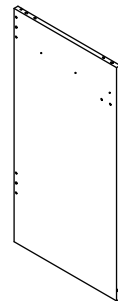
9 X1



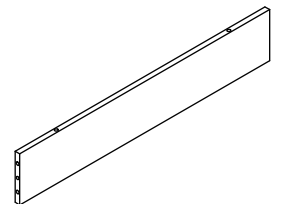
10 X1



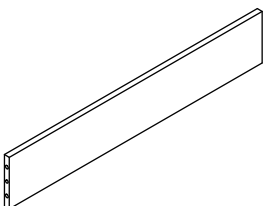
11 X1



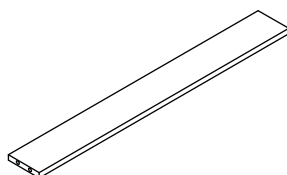
12 X1



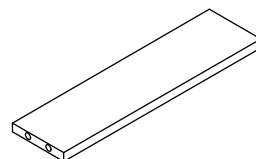
13 X1



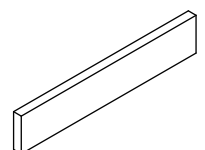
14 X1



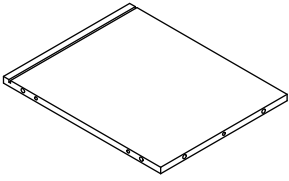
15 X1



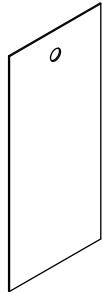
16 X1



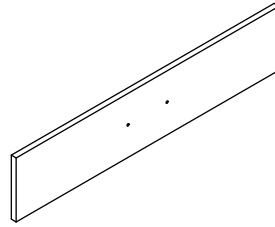
17 X1



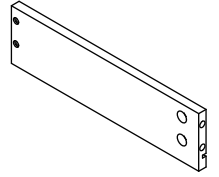
18 X1



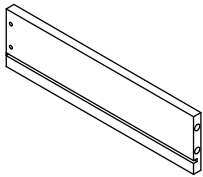
19 X1



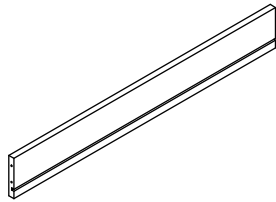
20 X2



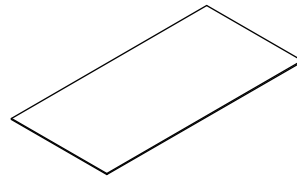
21 X2



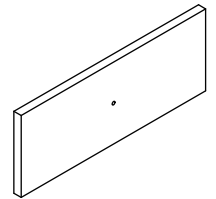
22 X1



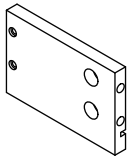
23 X1



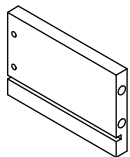
24 X1



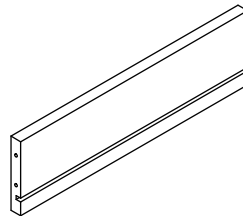
25 X1



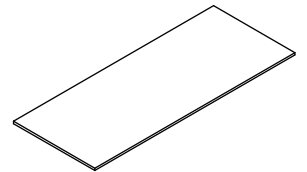
26 X1



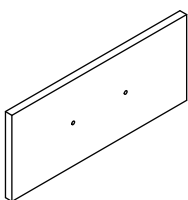
27 X1



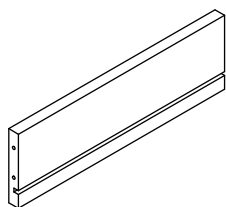
28 X1



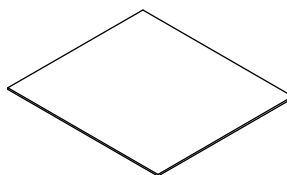
29 X1



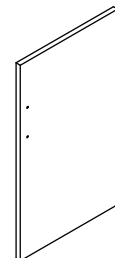
30 X1



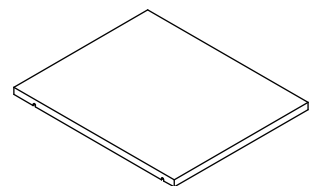
31 X1



32 X1



33 X1



2 Supplied Parts and Hardware

A X73+2



Ø6x34mm

B X73+2



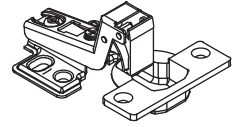
Ø15x9.5mm

C X26+2



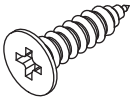
Ø6x30mm

D X2



Ø35mm

E X14



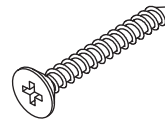
Ø8x15mm

F X20+1



Ø6.5x12mm

G X23+1



Ø8*35mm

H X2



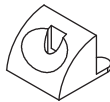
Ø4x15mm

I X4



Ø3x15mm

J X4



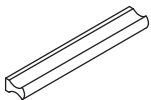
K X4



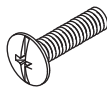
L X1



M X3



N X2



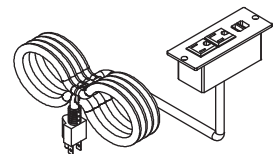
Ø5/23"x18mm

O X5

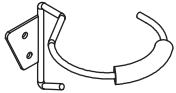


Ø5/23"x16mm

P X1



Q X1



R X1SET



R-1 X11

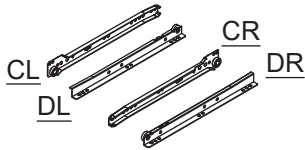
R-2

S X6



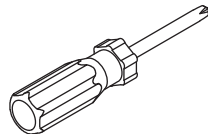
Ø13x4mm

T X2SETS

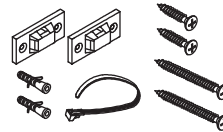


L300mm

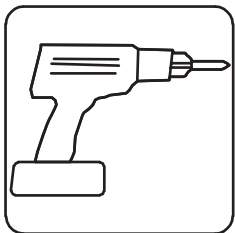
U X1



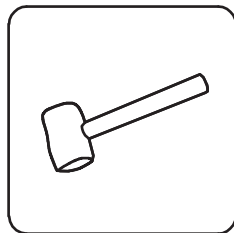
V X1SETS



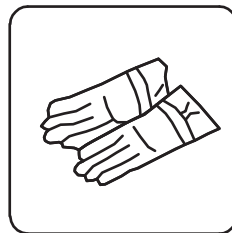
Please have the following auxiliary tools ready:
Bitte halten Sie folgende Hilfswerkzeuge bereit:
Veuillez préparer les outils auxiliaires suivants :
Si prega di avere pronti i seguenti strumenti ausiliari:
Por favor, tenga listas las siguientes herramientas auxiliares:



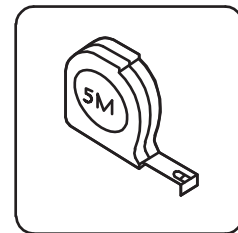
Electric Drill



Hammer



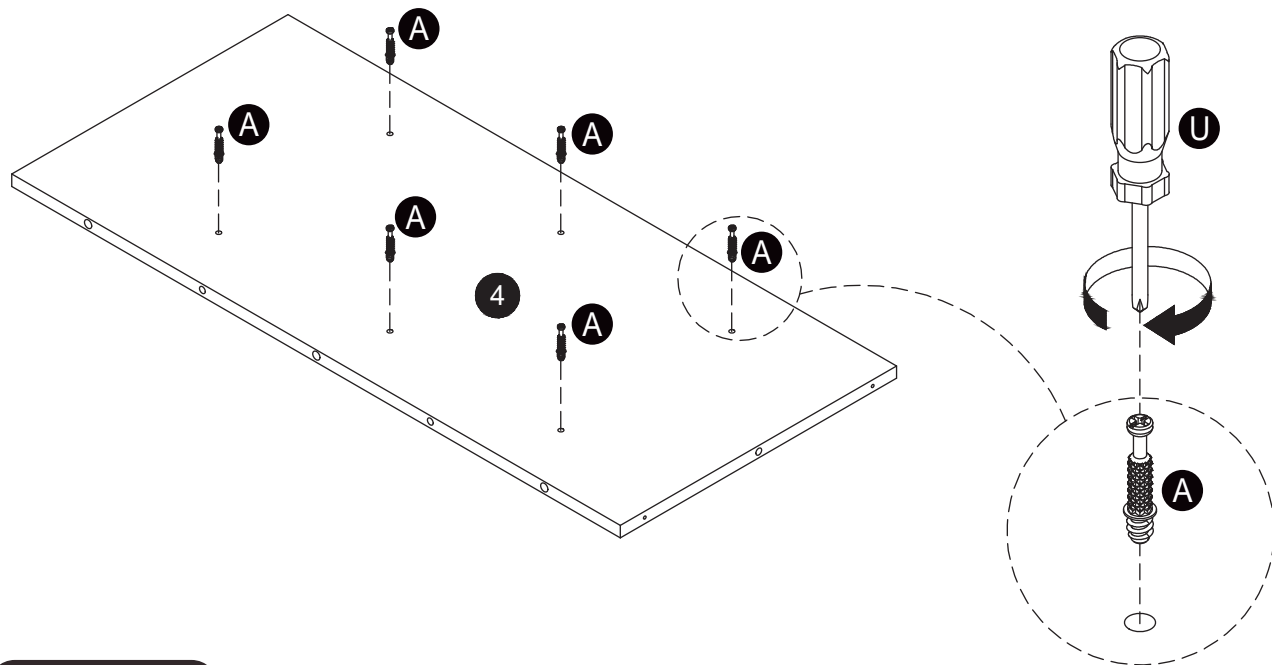
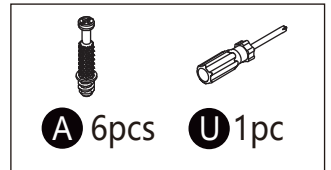
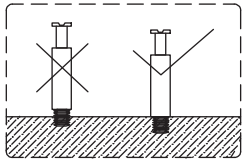
Gloves



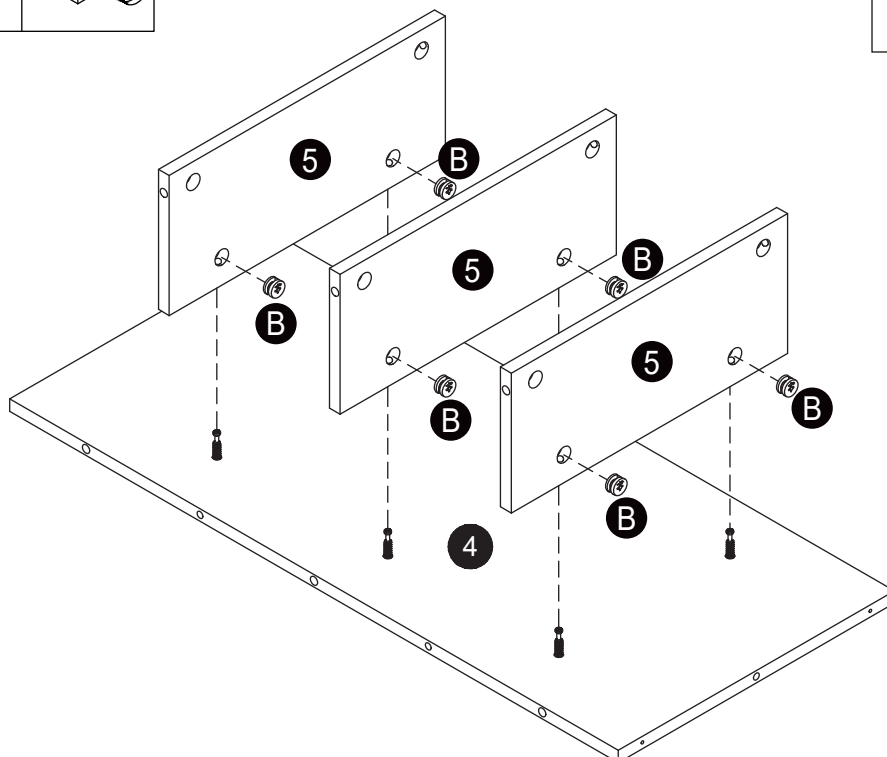
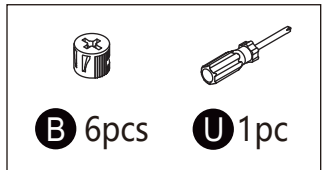
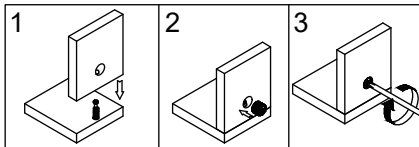
Tape Measure 5M

NOTE: This product requires at least two people for installation.

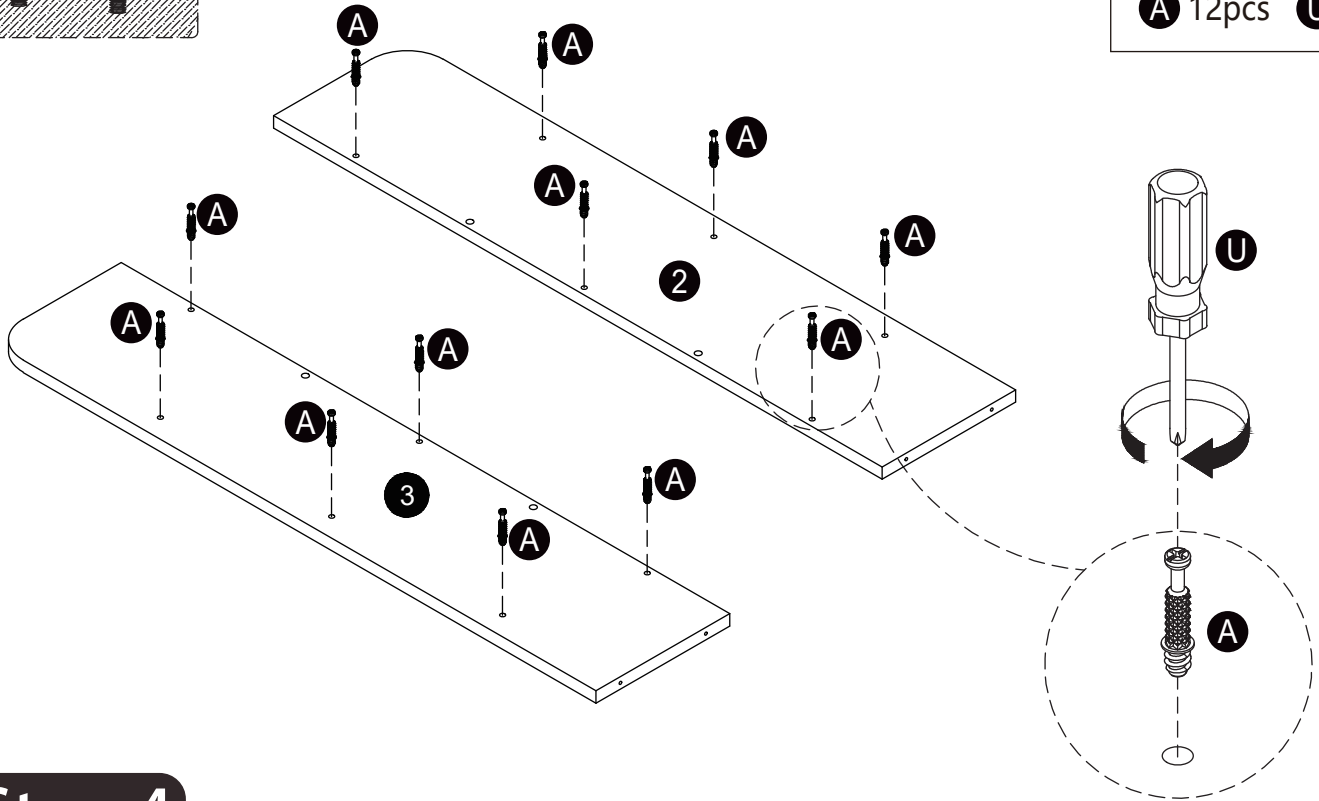
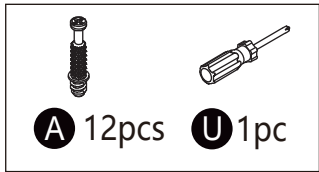
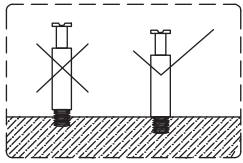
Step 1



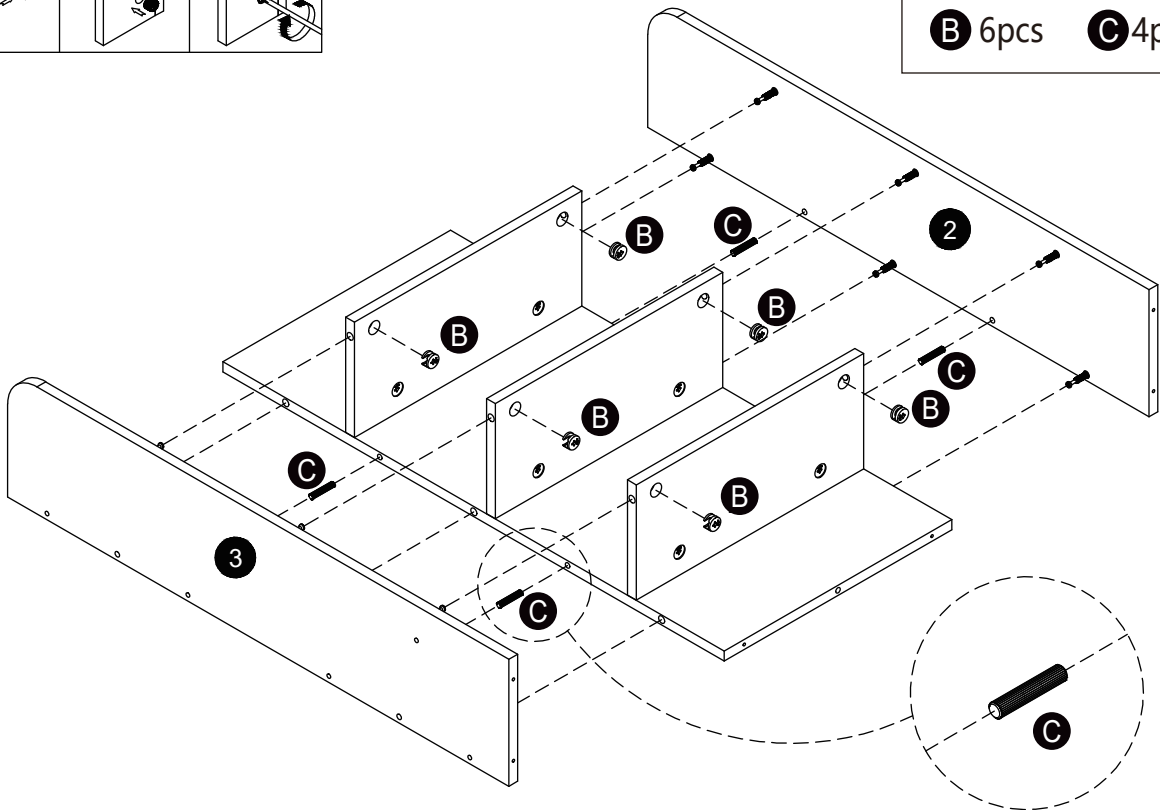
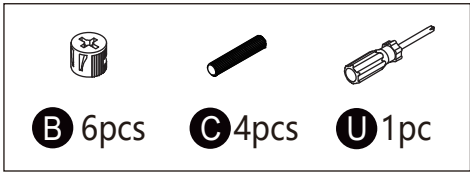
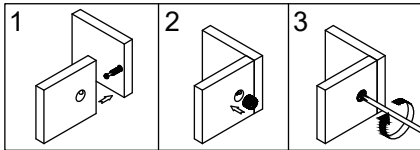
Step 2



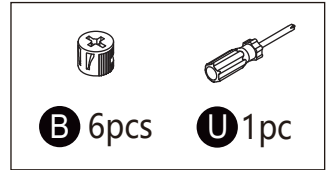
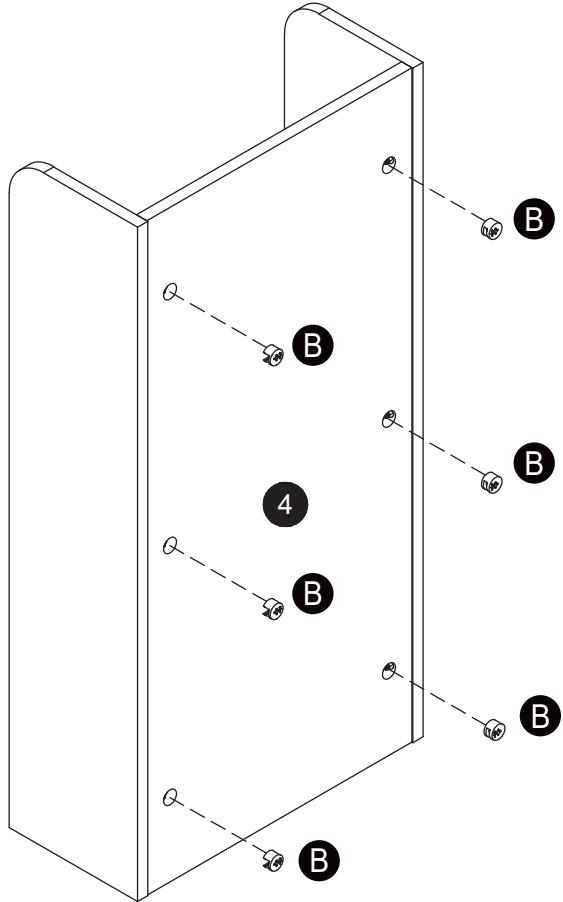
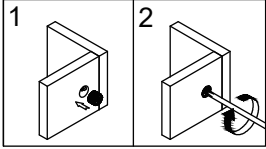
Step 3



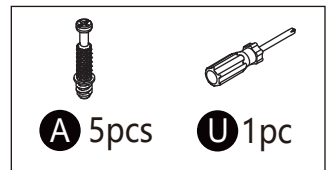
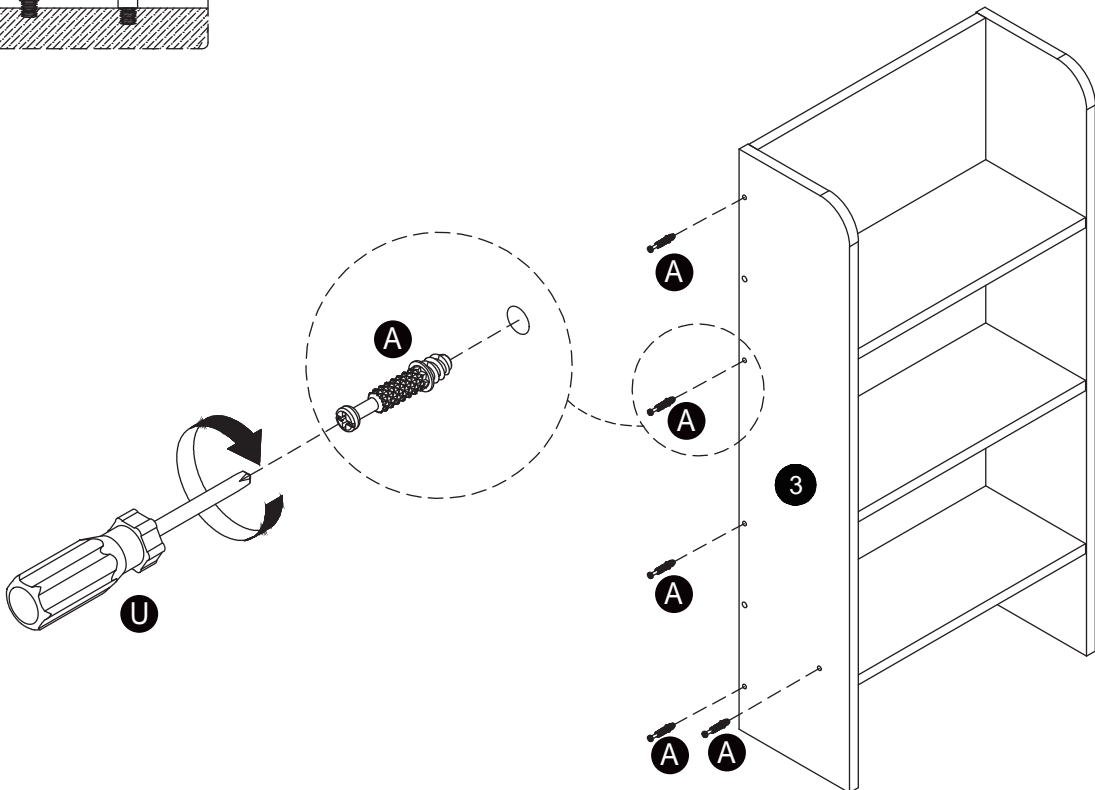
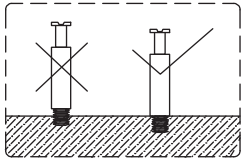
Step 4



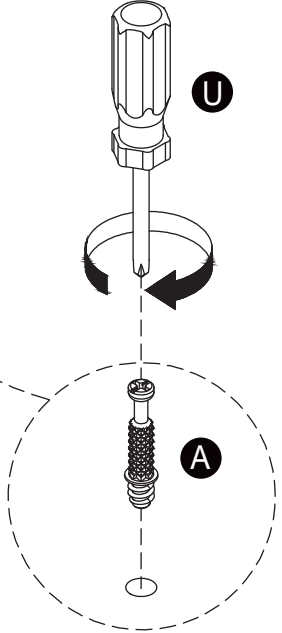
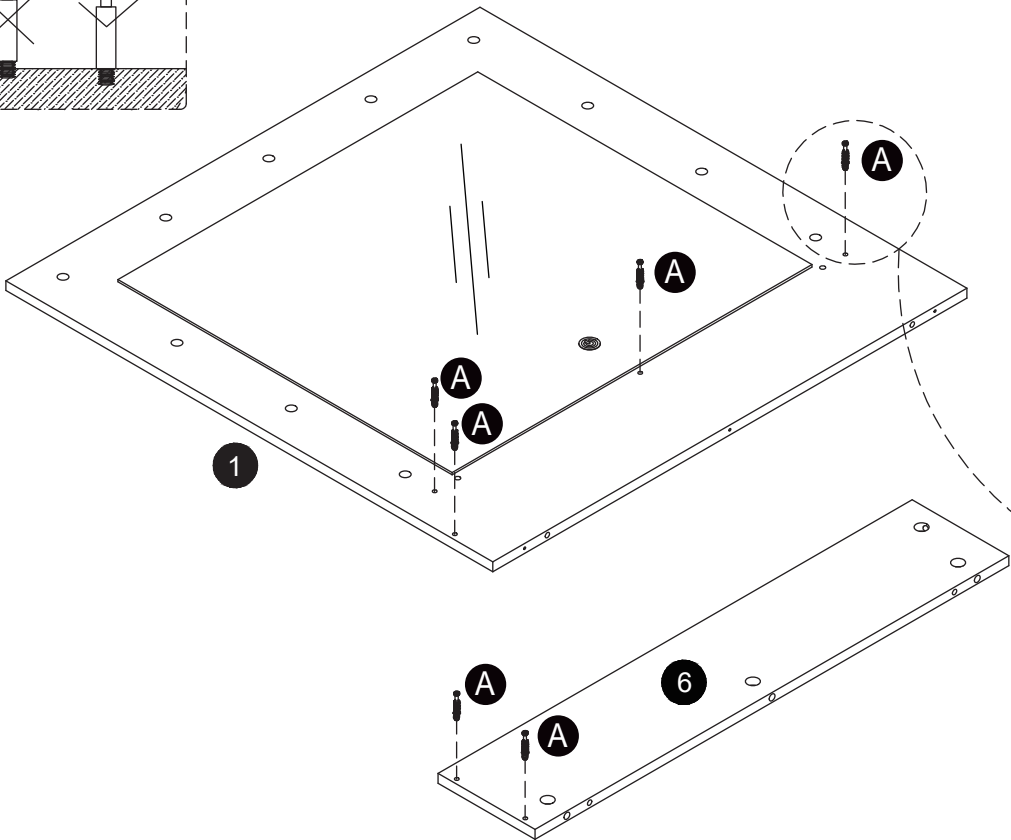
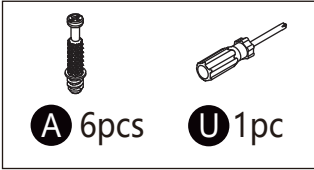
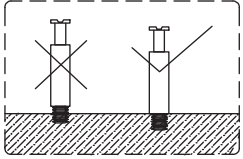
Step 5



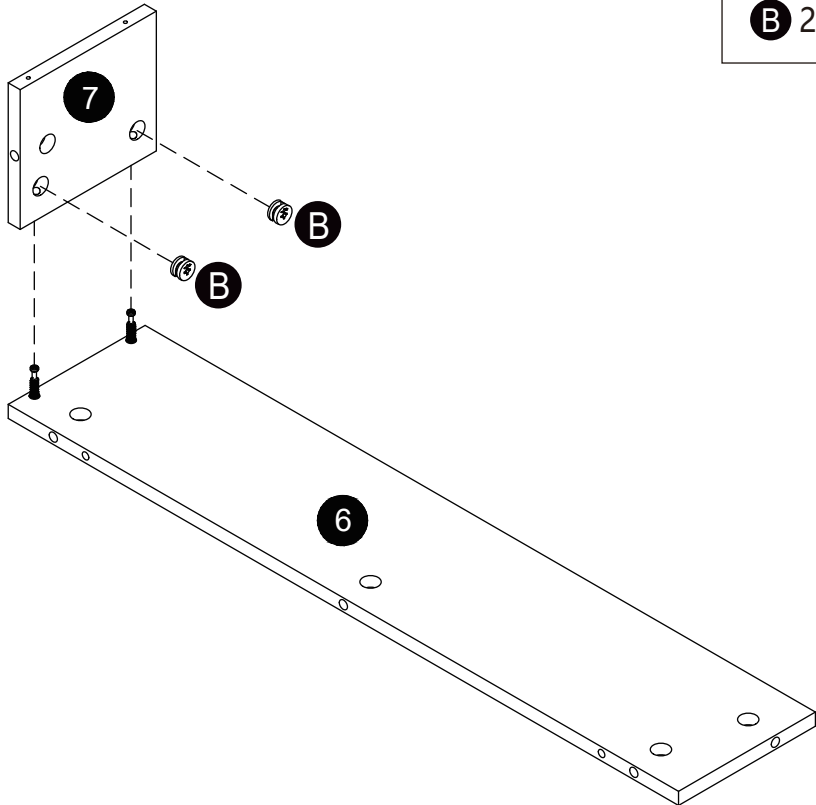
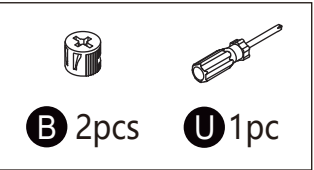
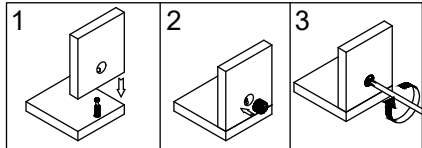
Step 6



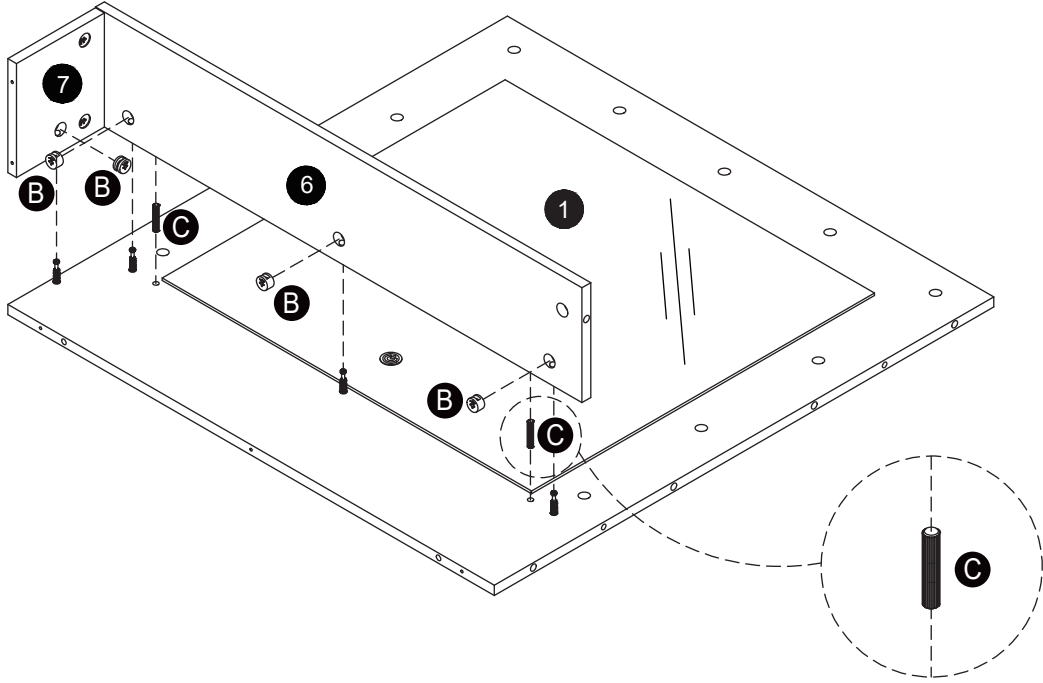
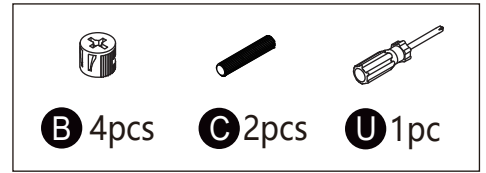
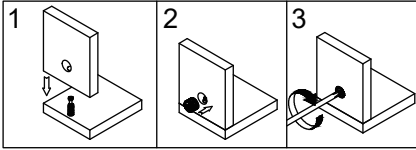
Step 7



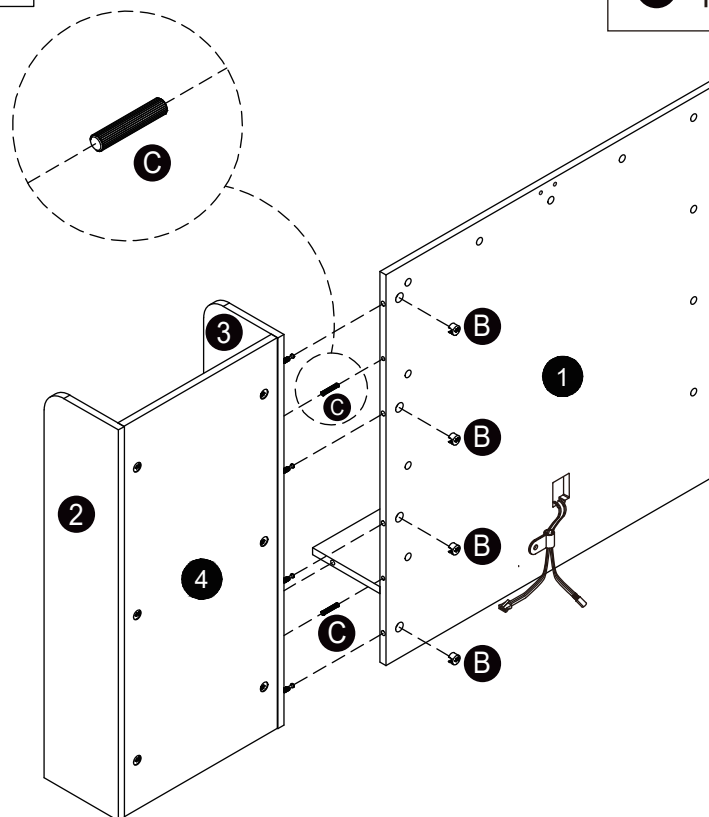
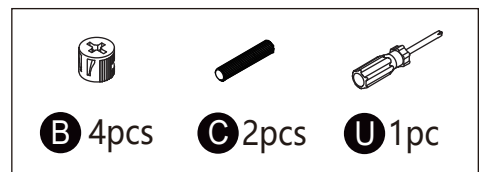
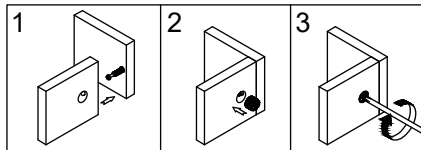
Step 8



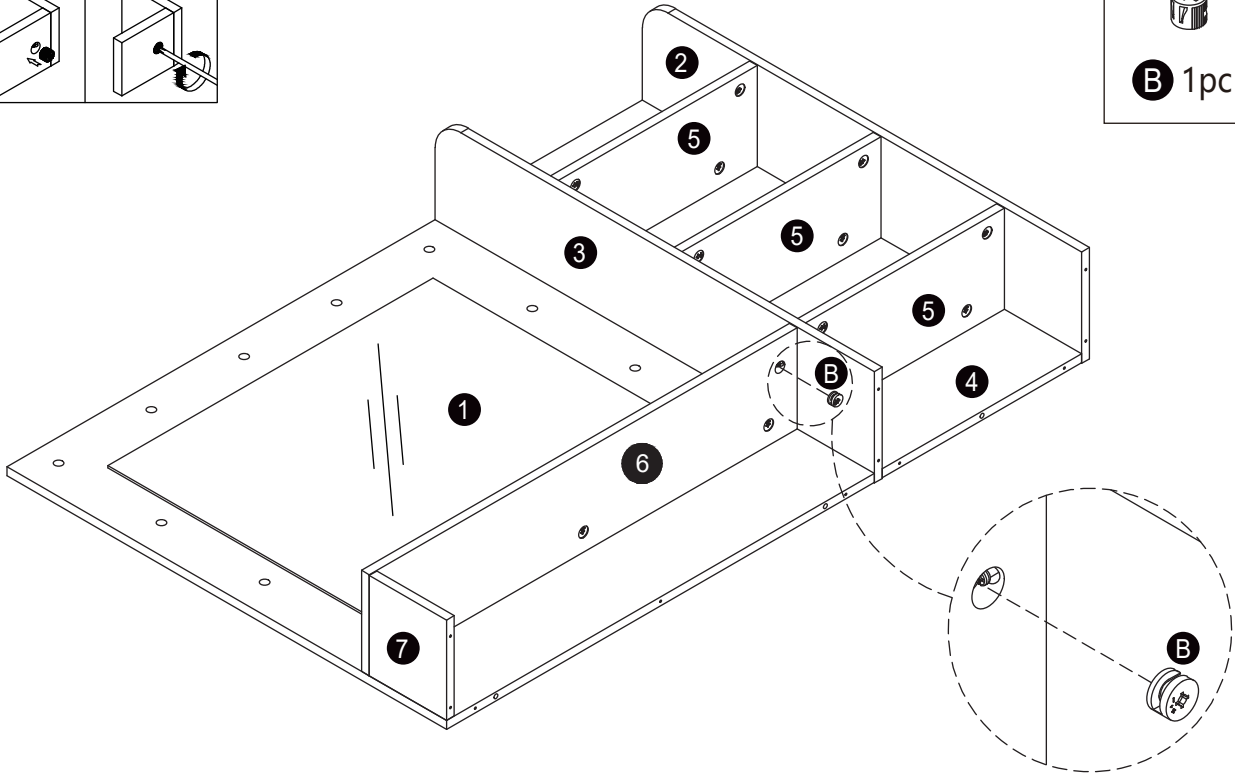
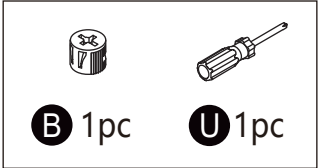
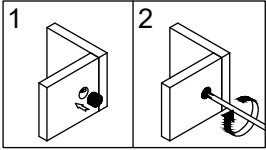
Step 9



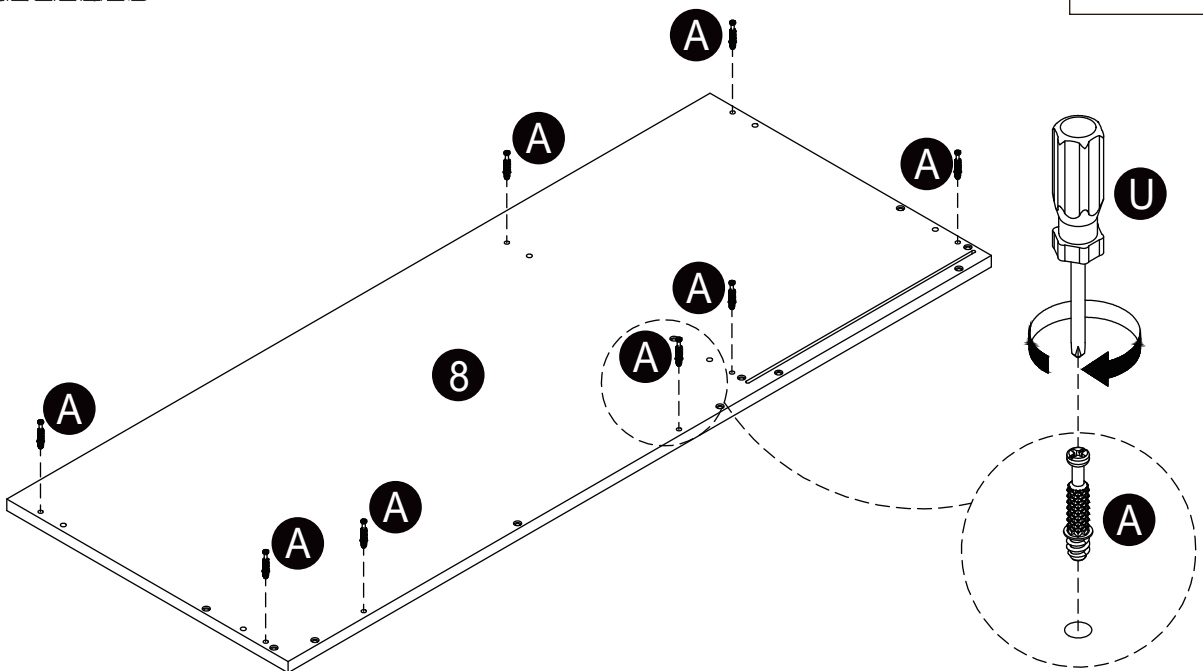
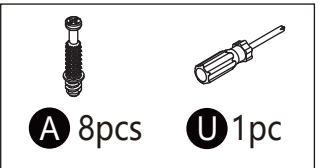
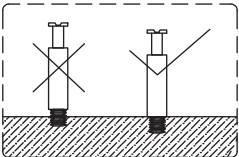
Step 10



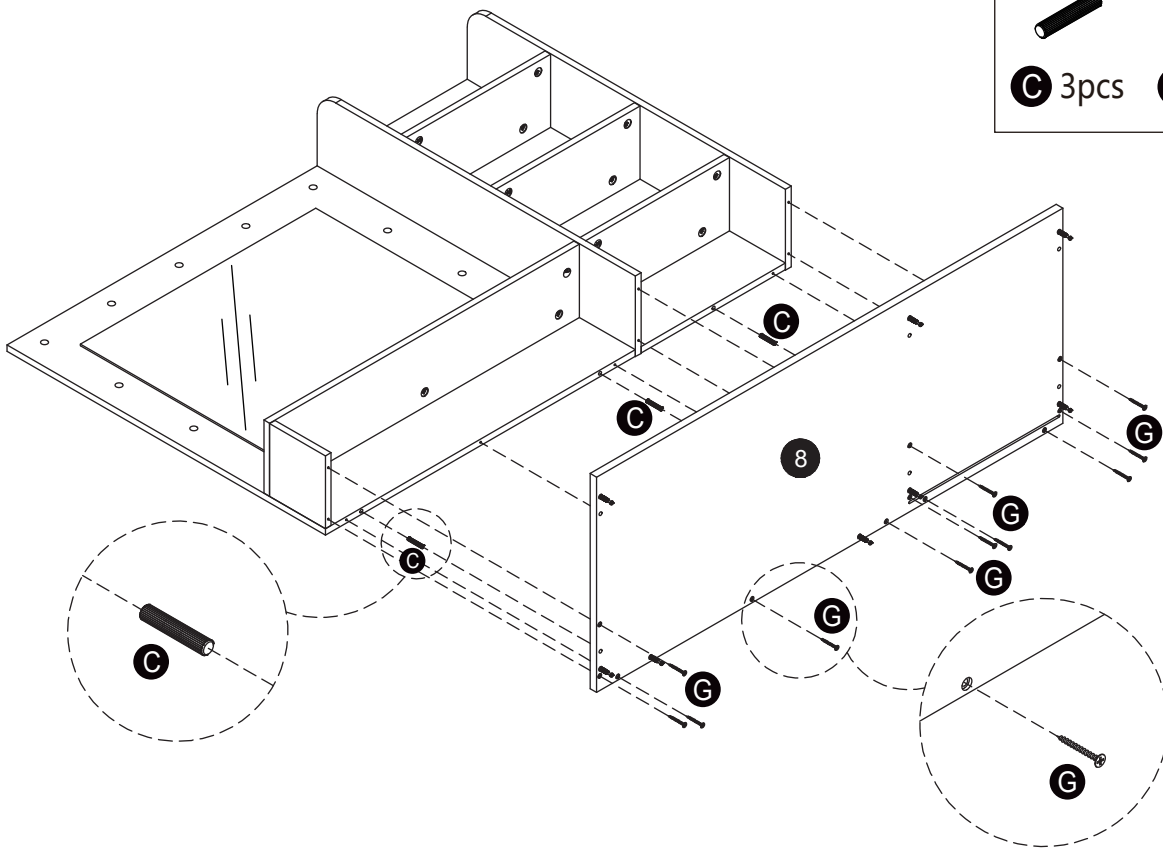
Step 11



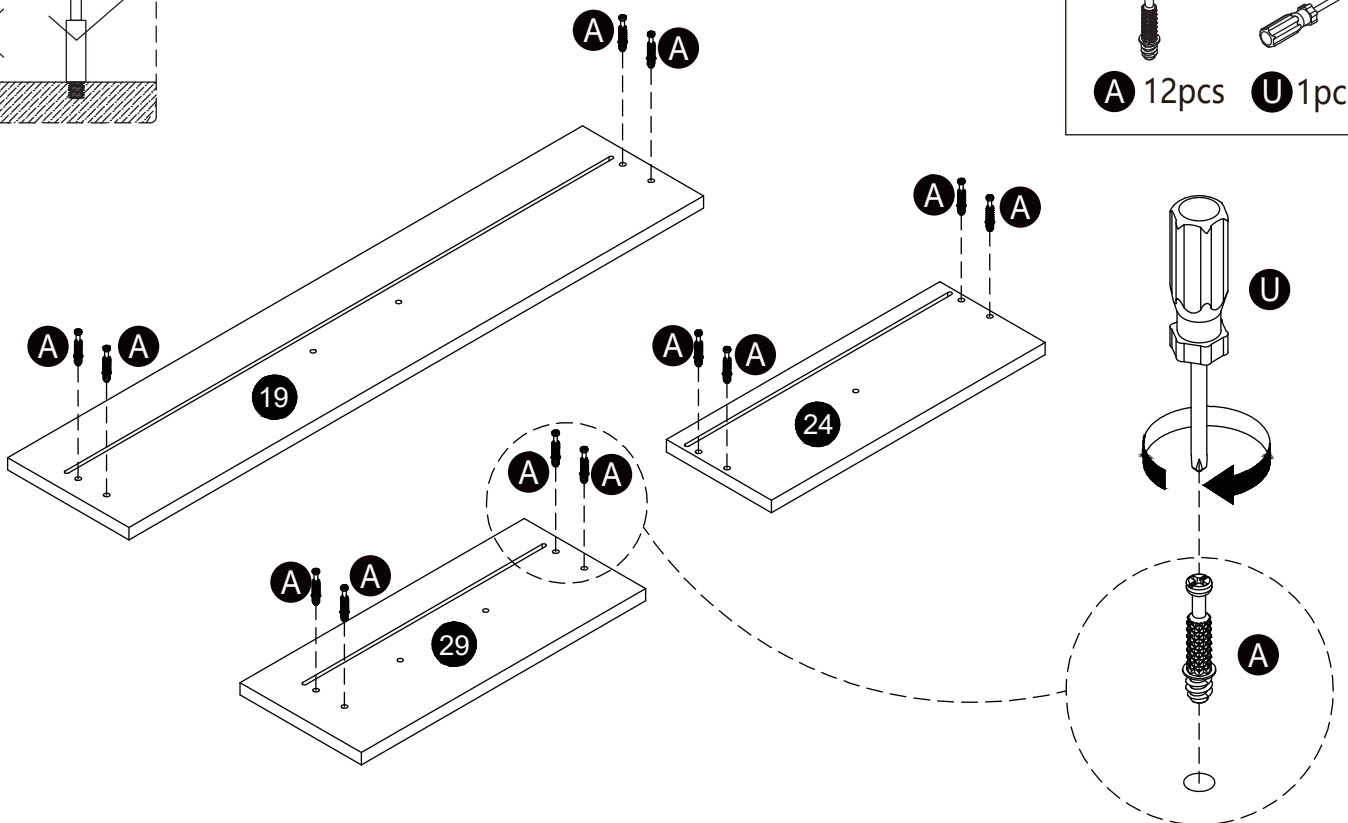
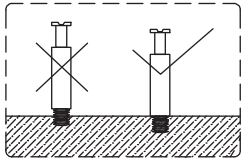
Step 12



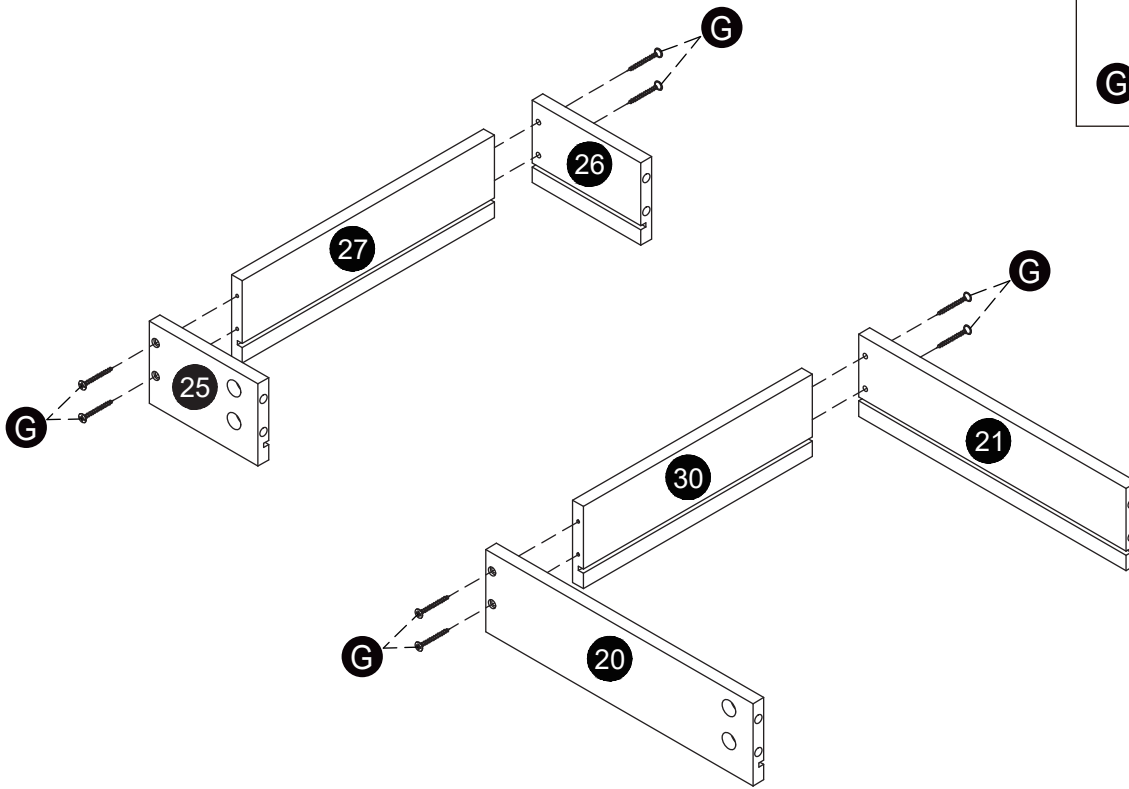
Step 13



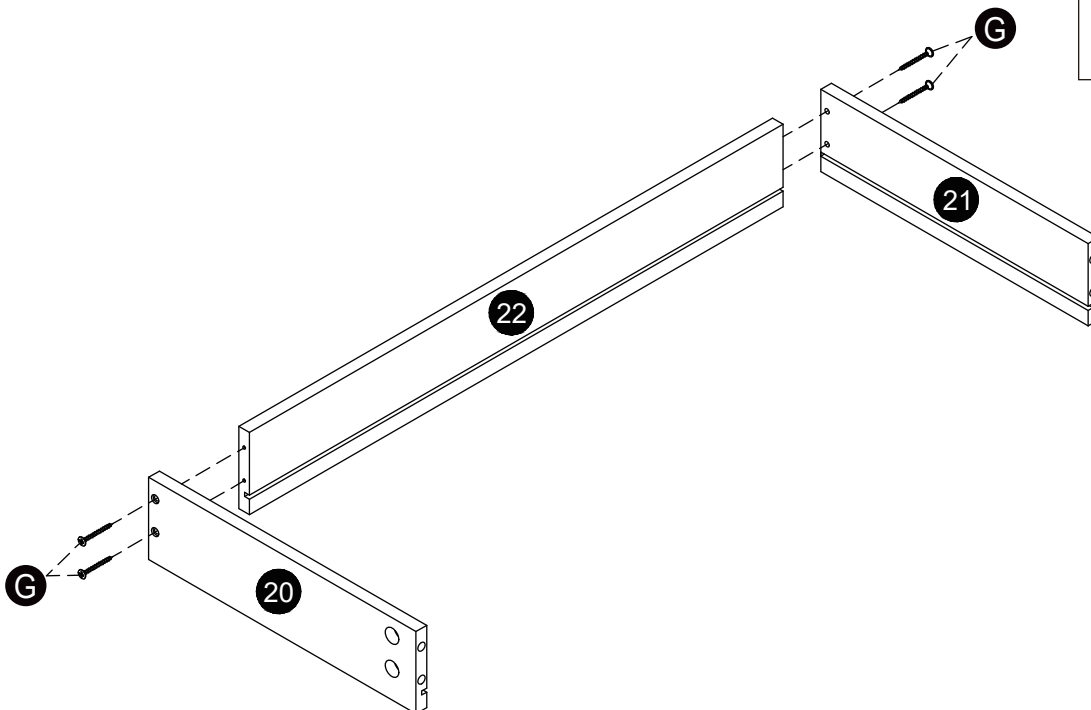
Step 14



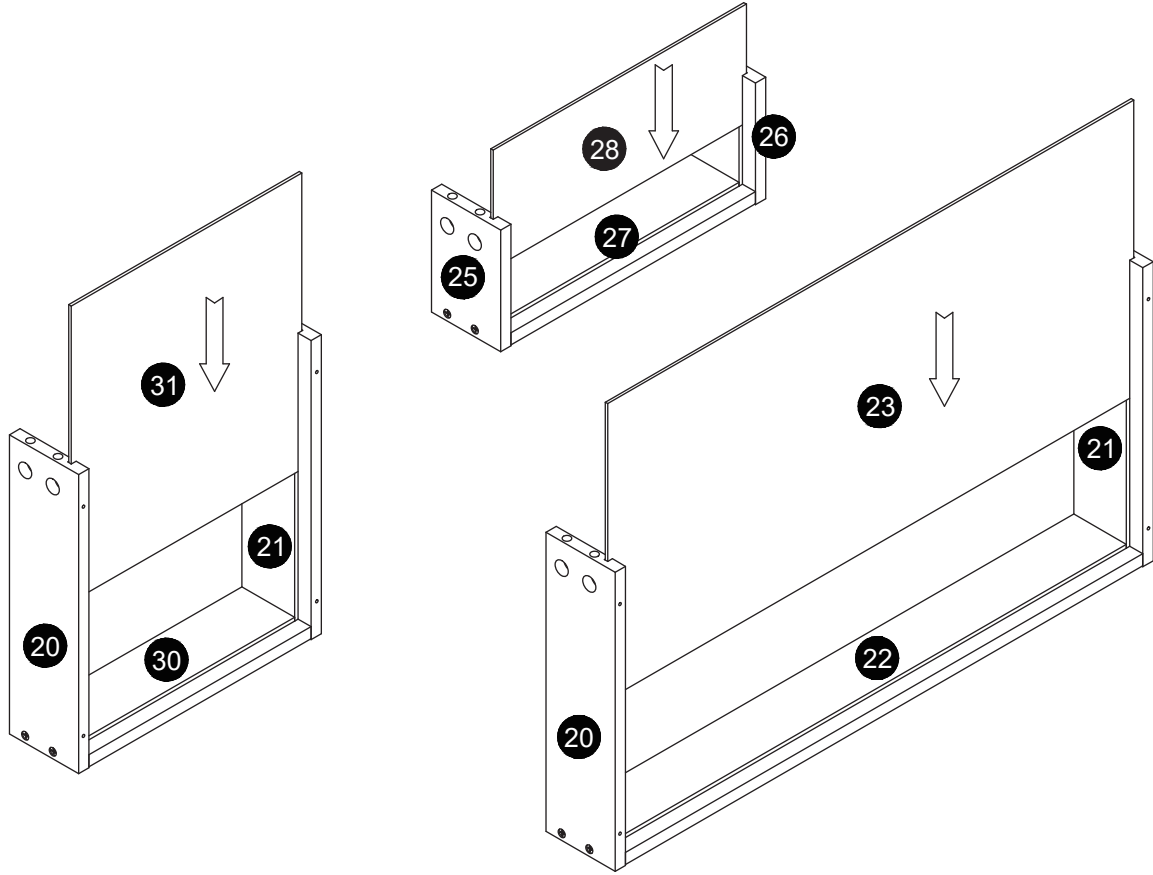
Step 15



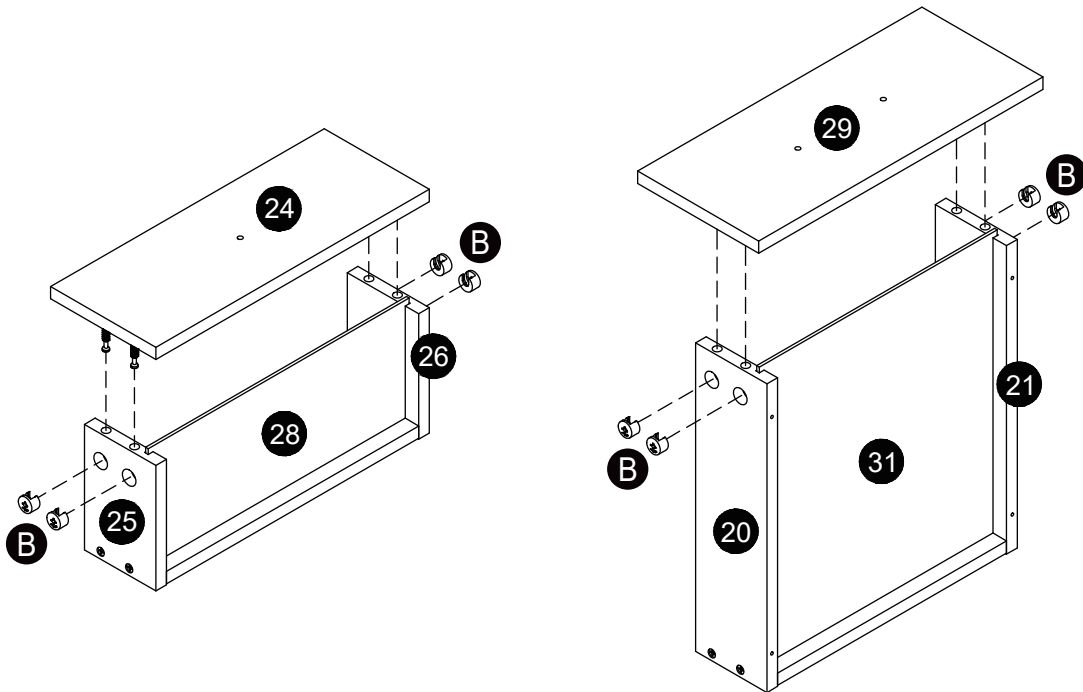
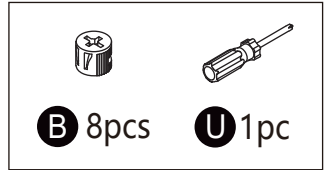
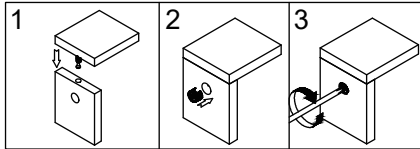
Step 16



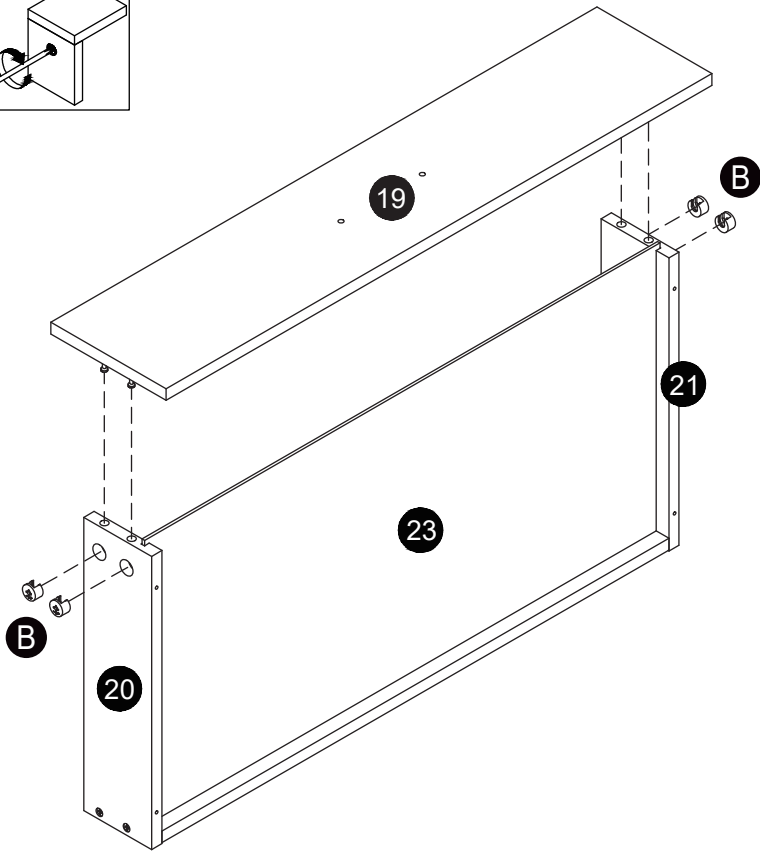
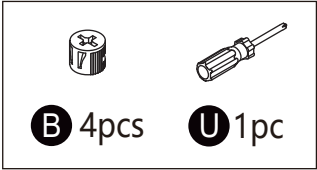
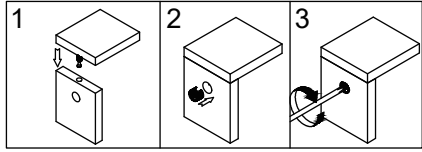
Step 17



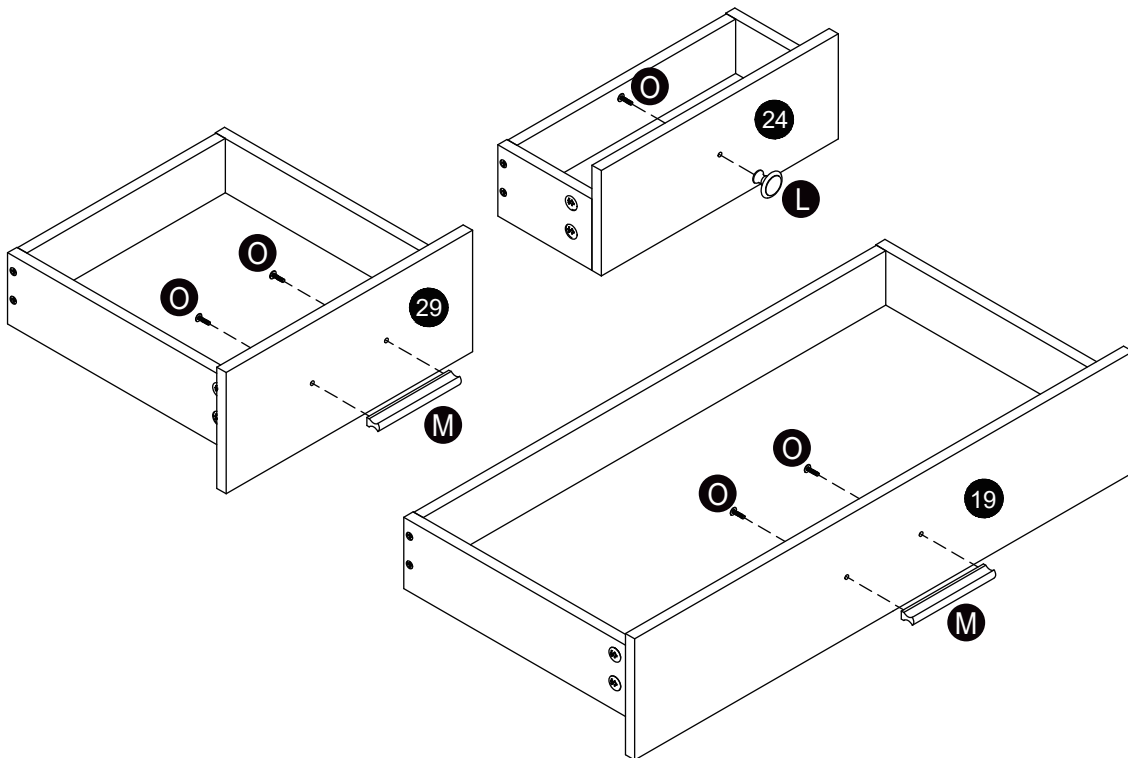
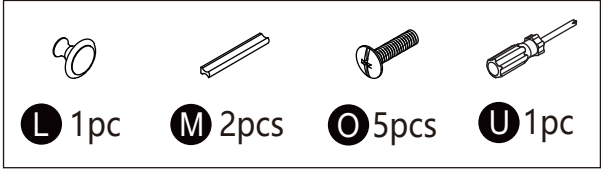
Step 18



Step 19

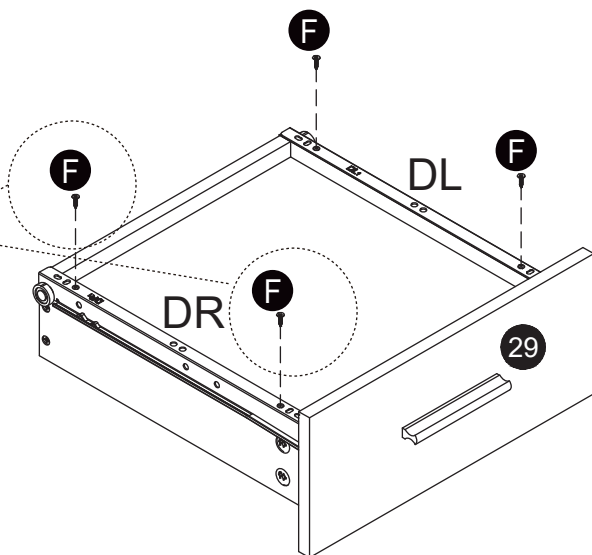
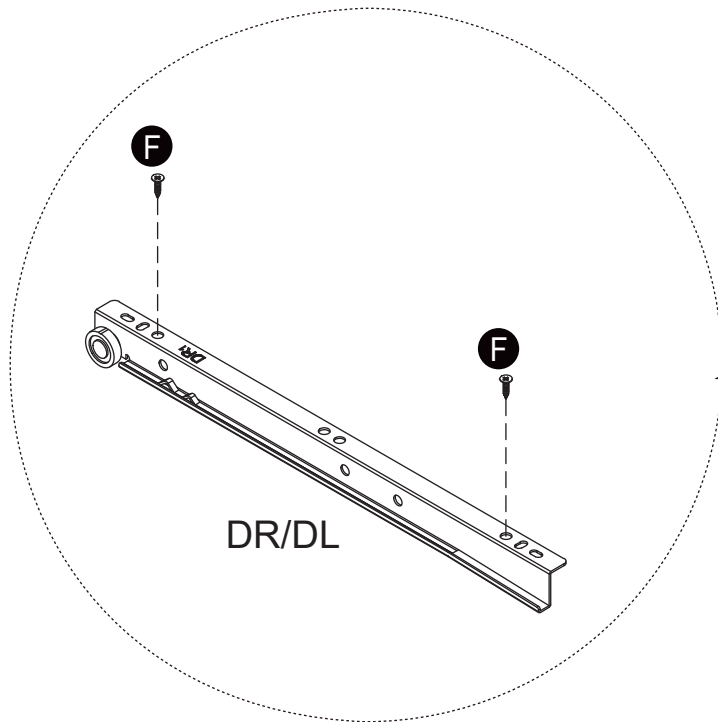
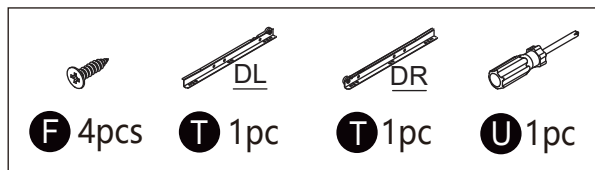


Step 20



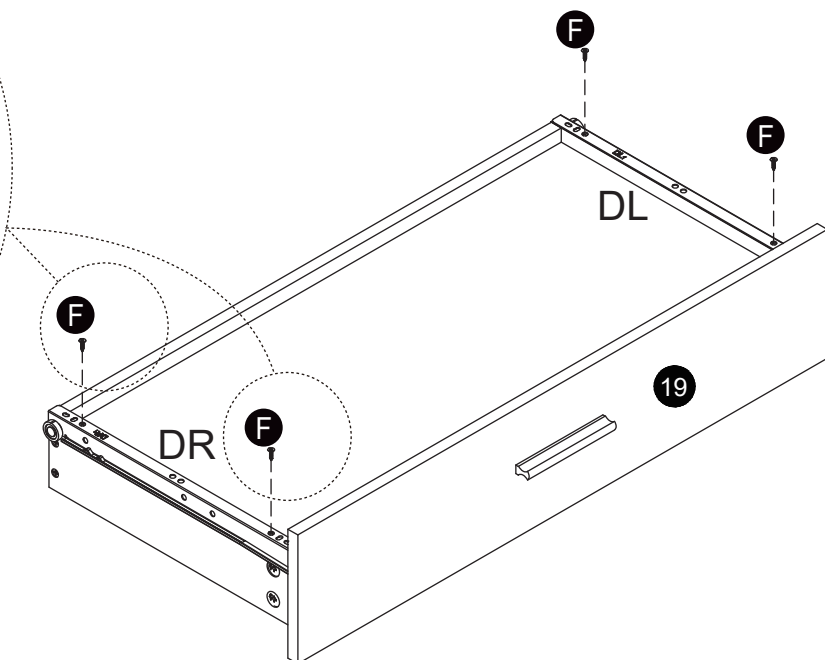
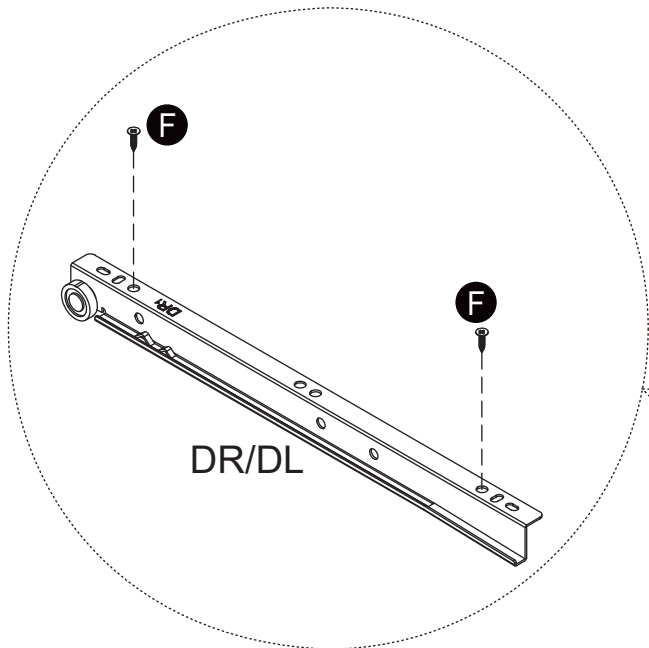
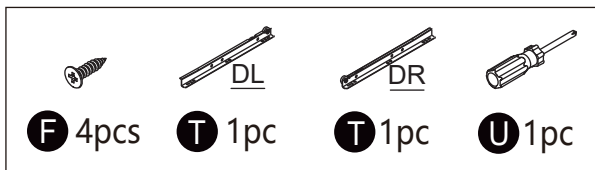
Step 21

NOTE: Turn the drawer over.

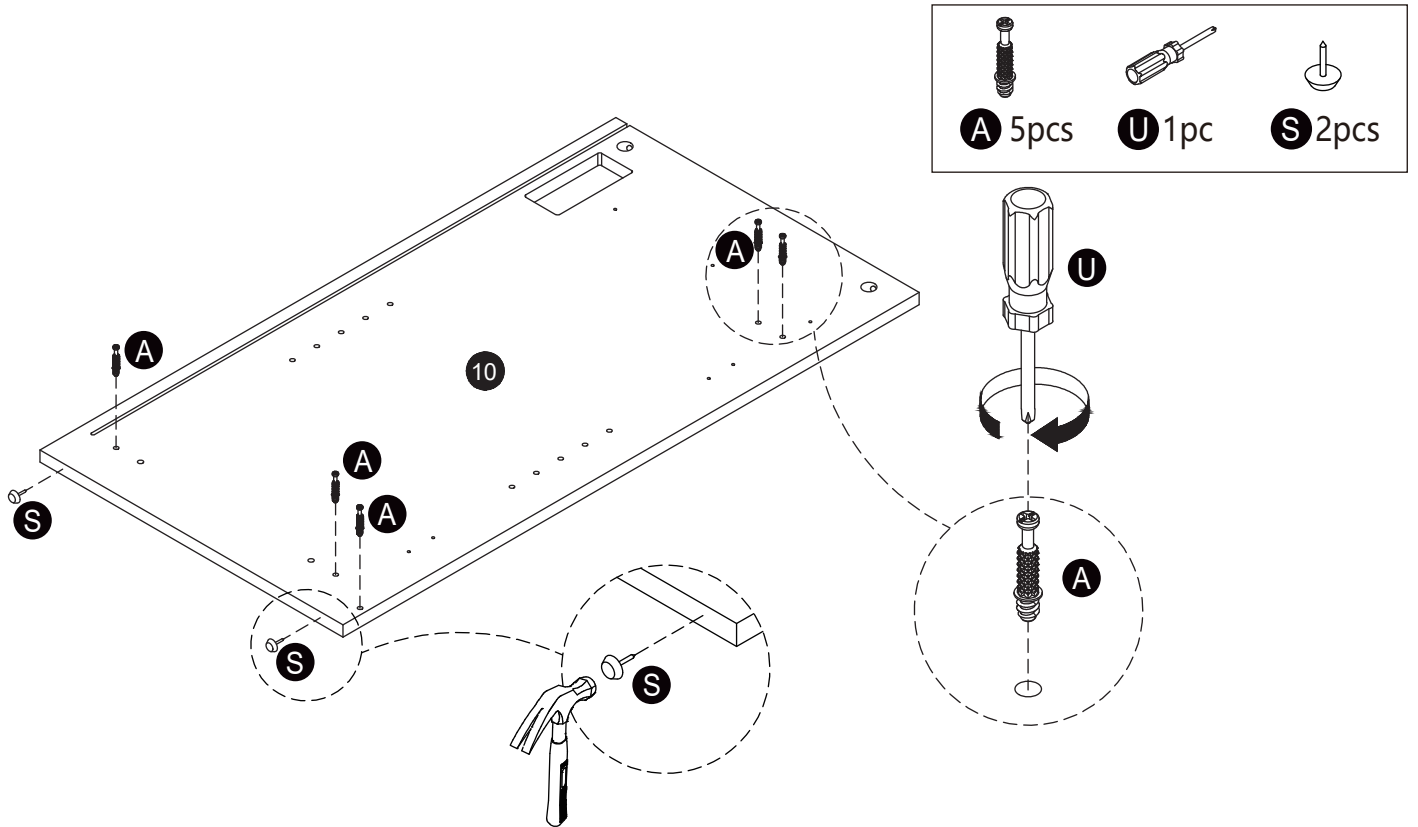


Step 22

NOTE: Turn the drawer over.

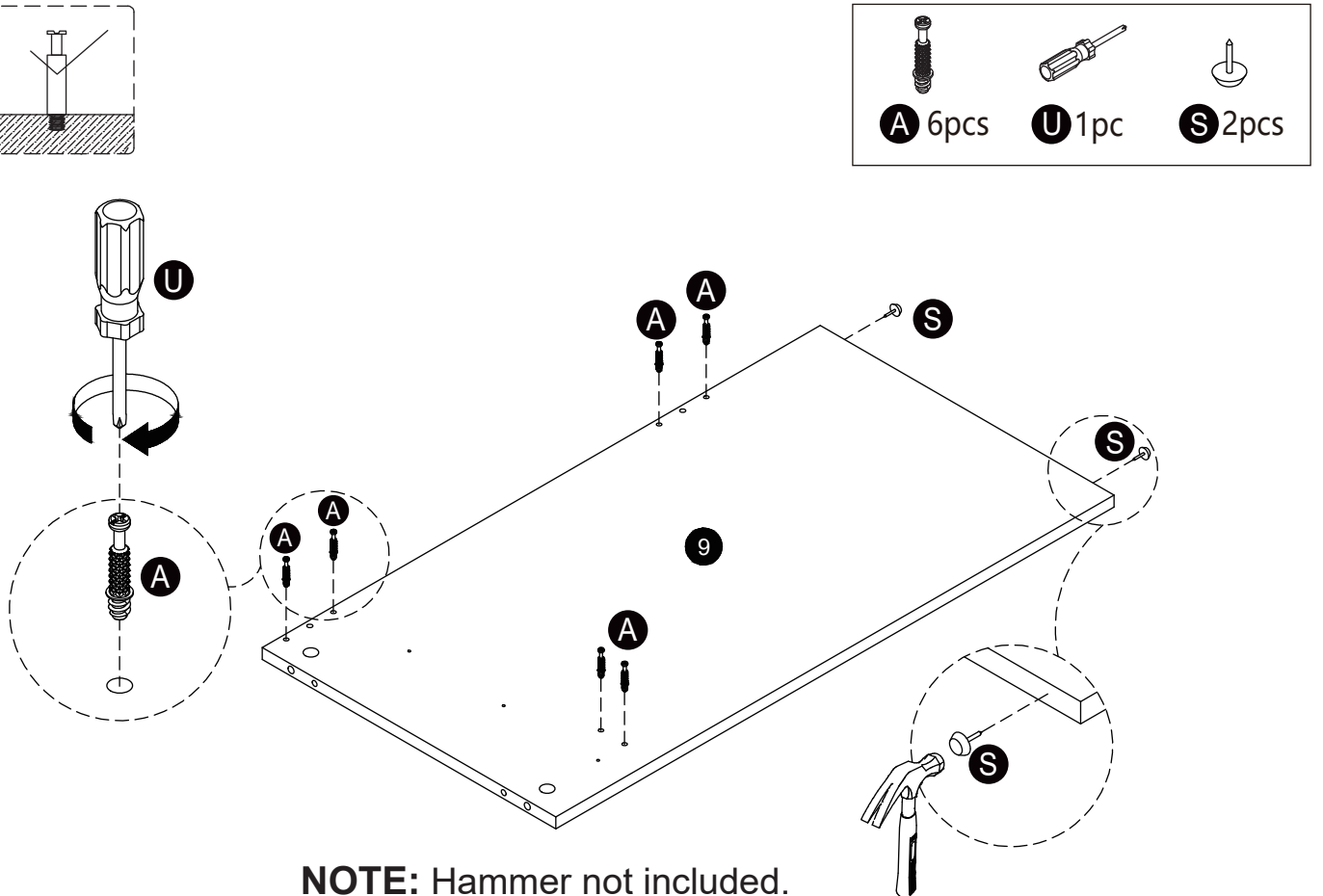
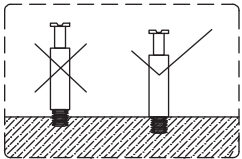


Step 23



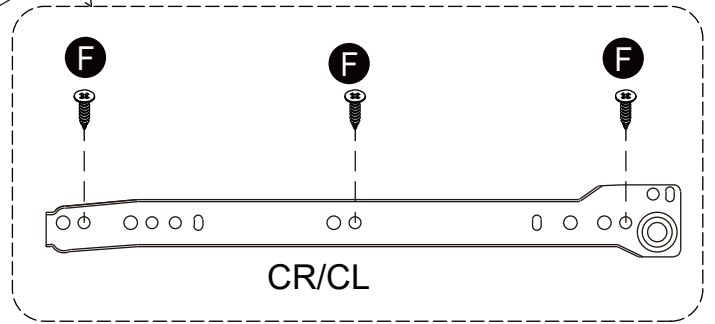
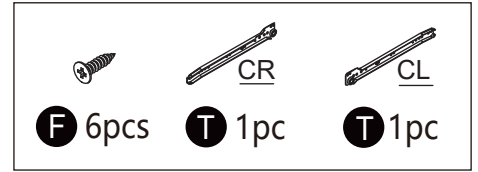
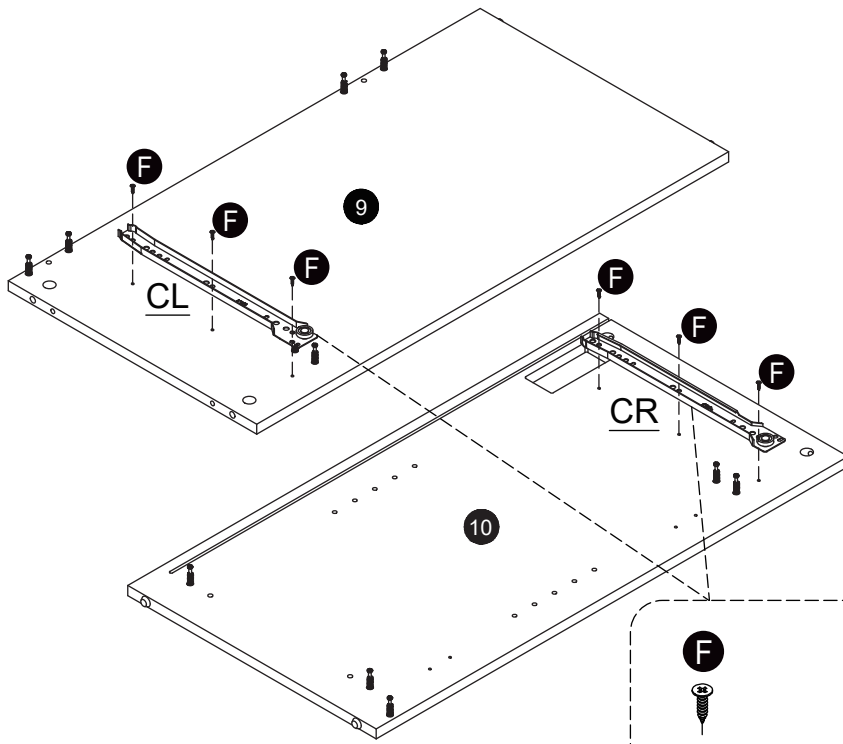
NOTE: Hammer not included.

Step 24

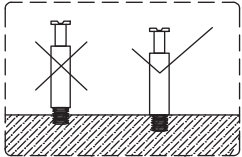


NOTE: Hammer not included.

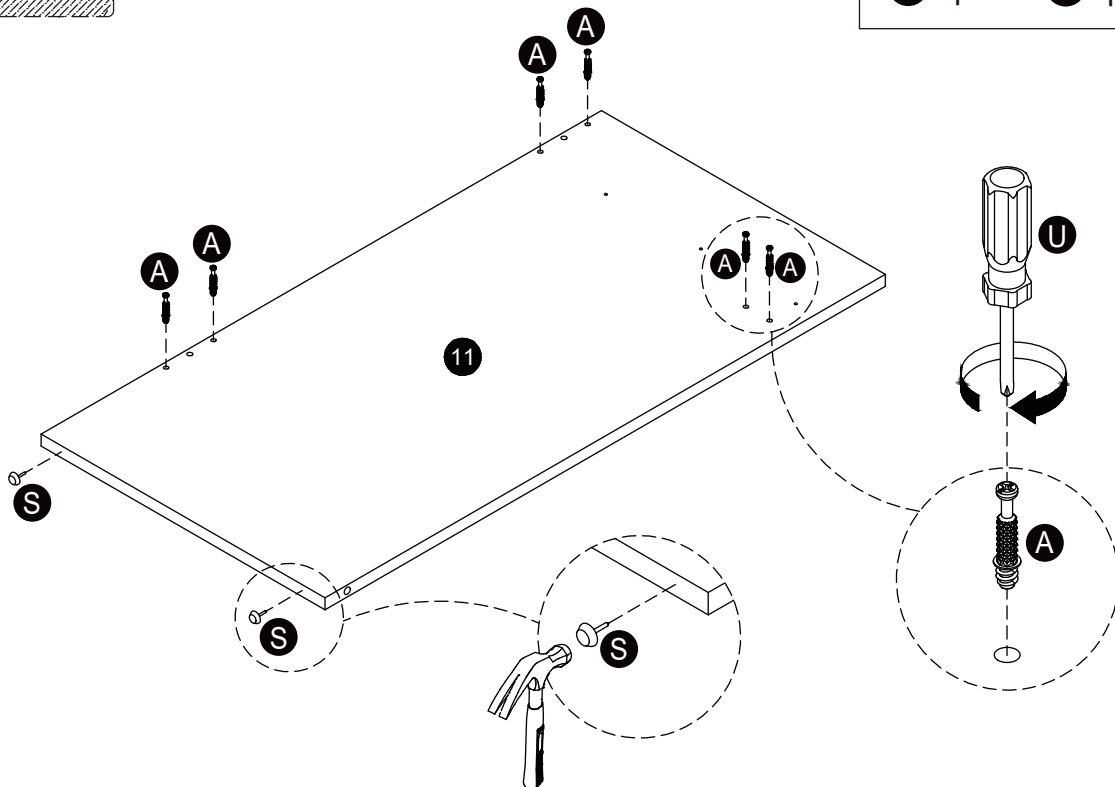
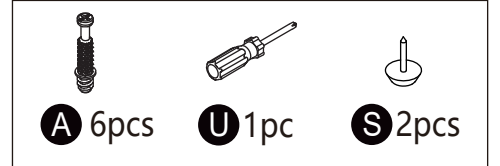
Step 25



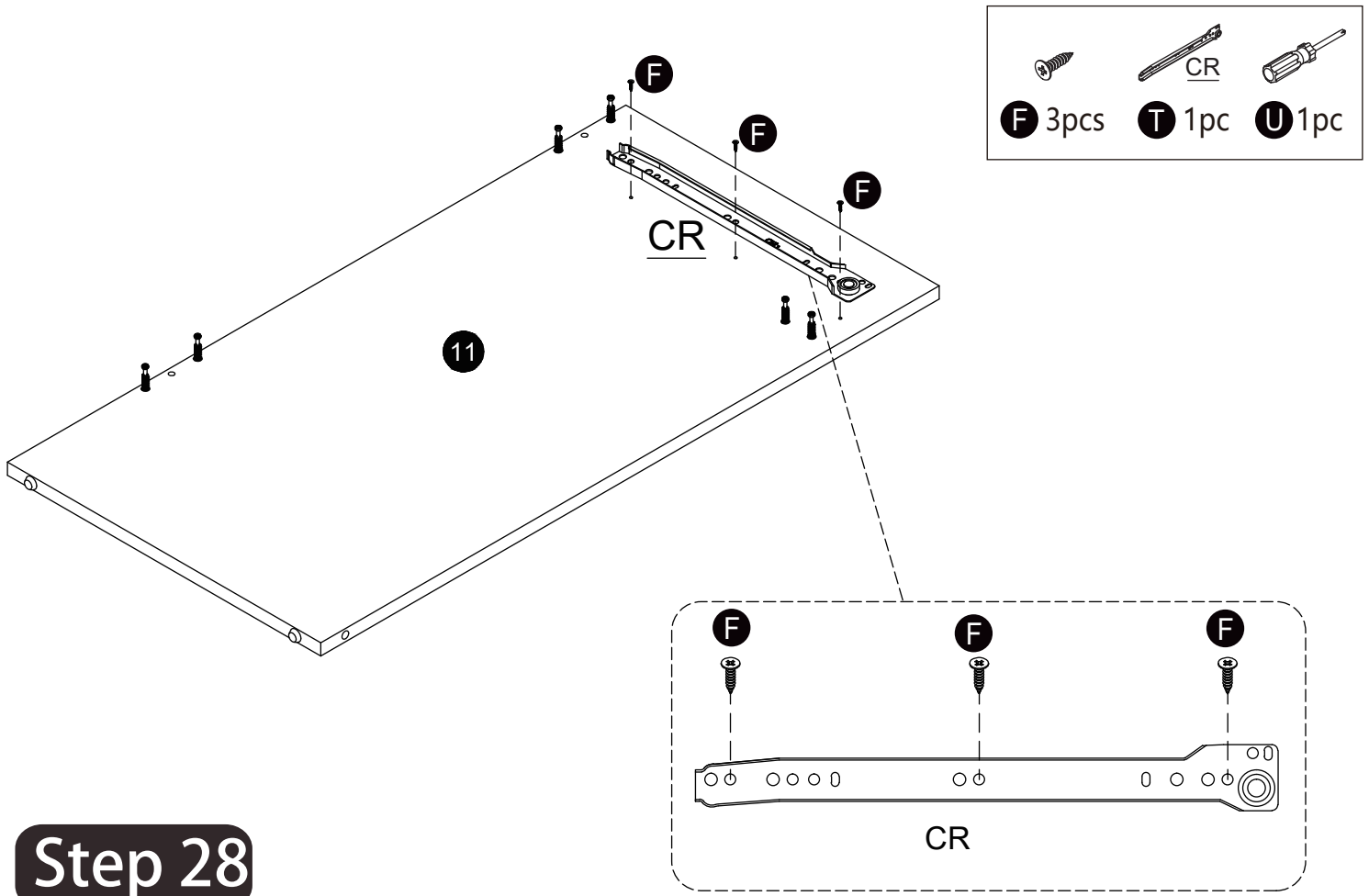
Step 26



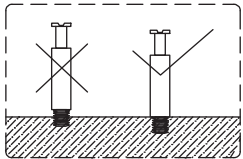
NOTE: Hammer not included.



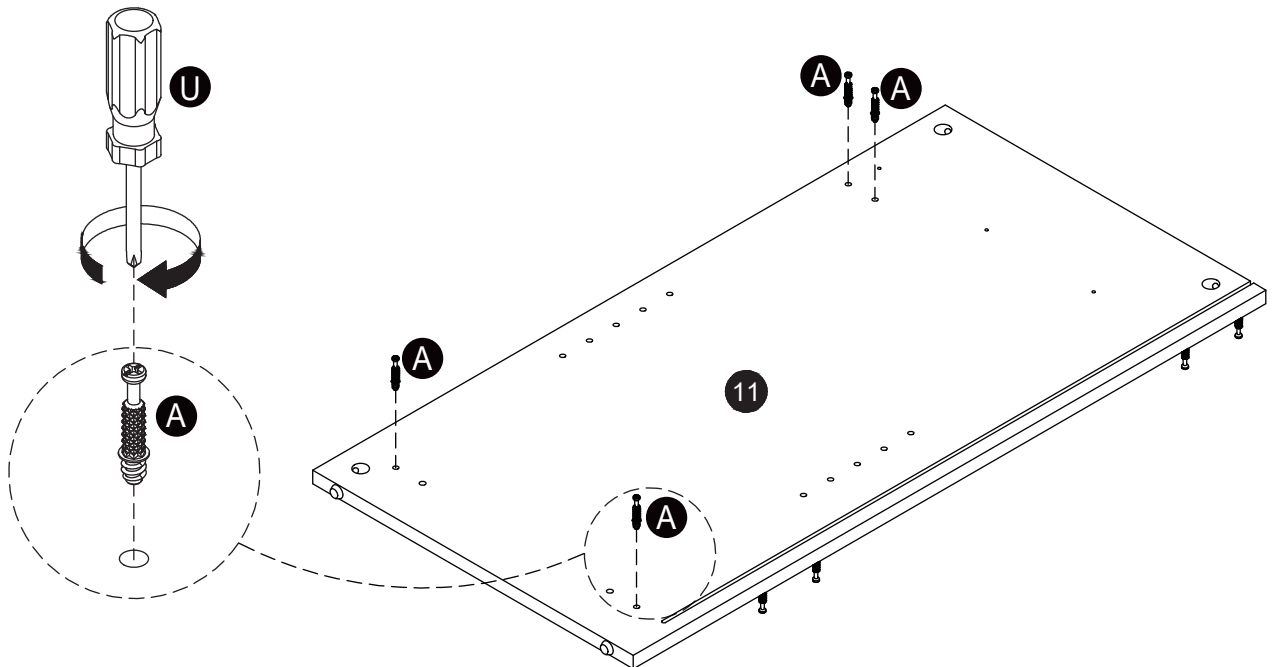
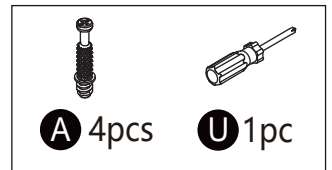
Step 27



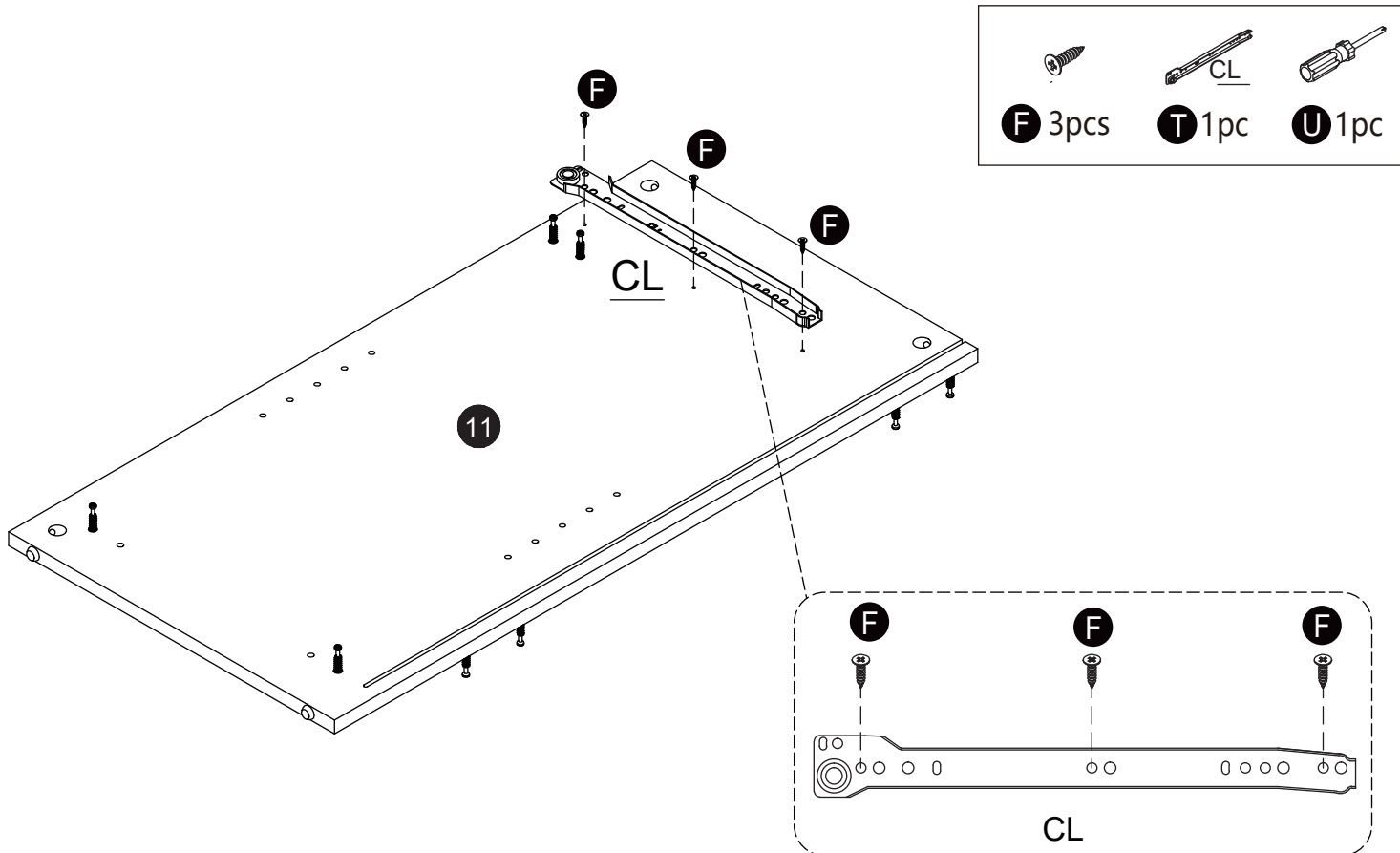
Step 28



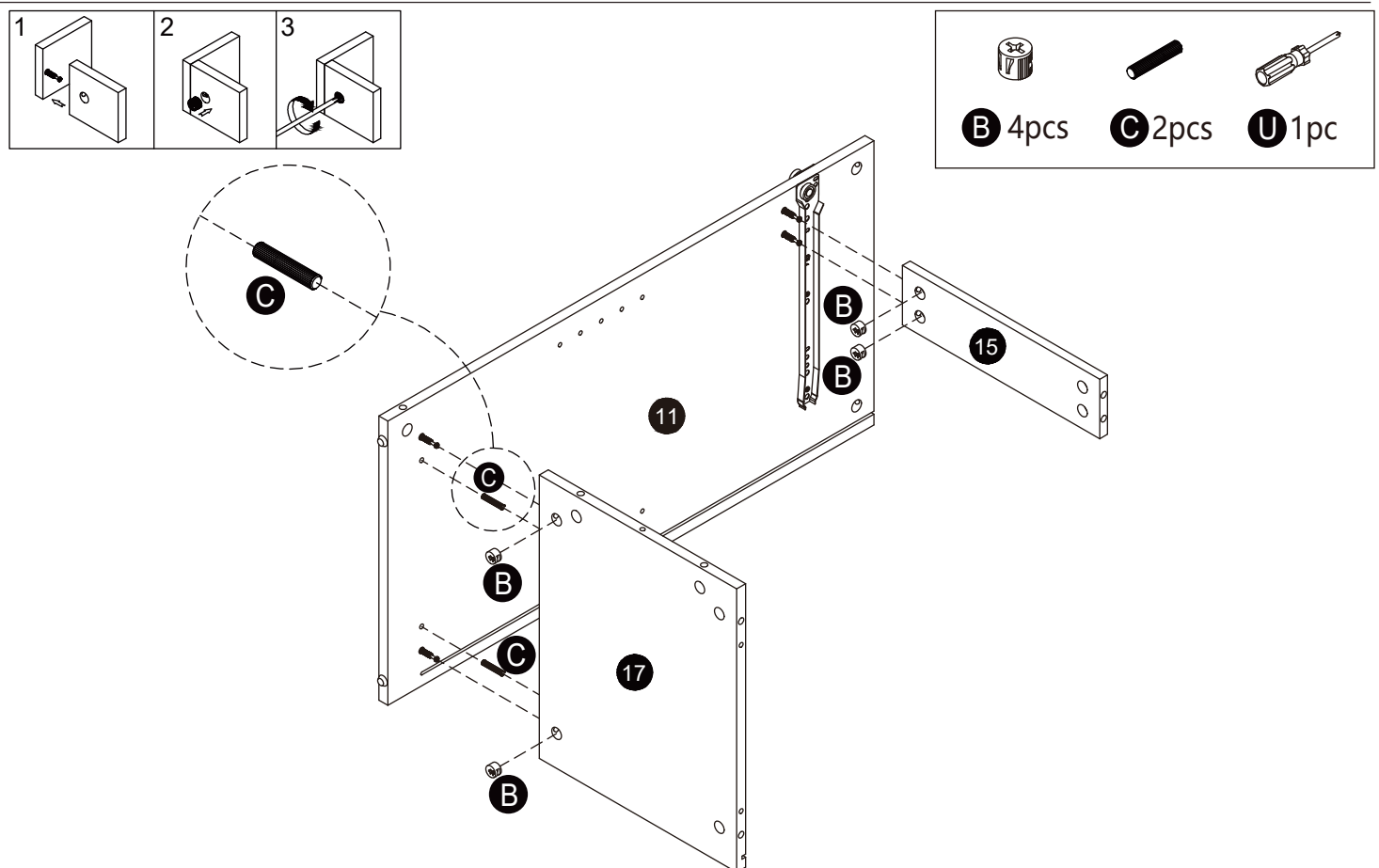
NOTE: Turn Board **11** over.



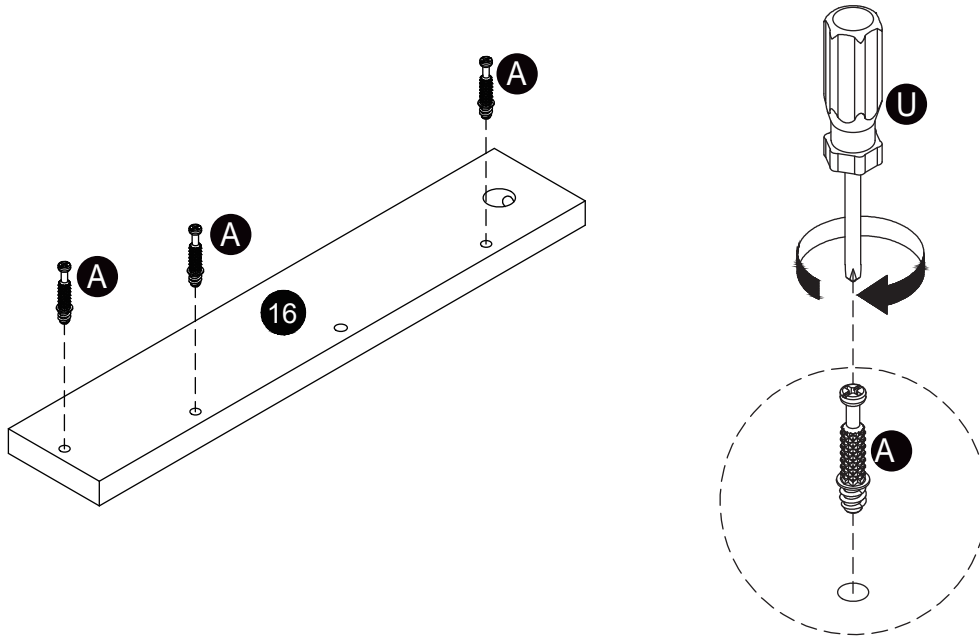
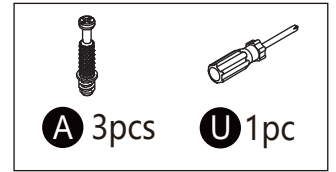
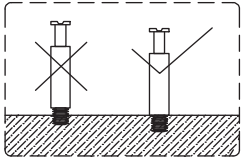
Step 29



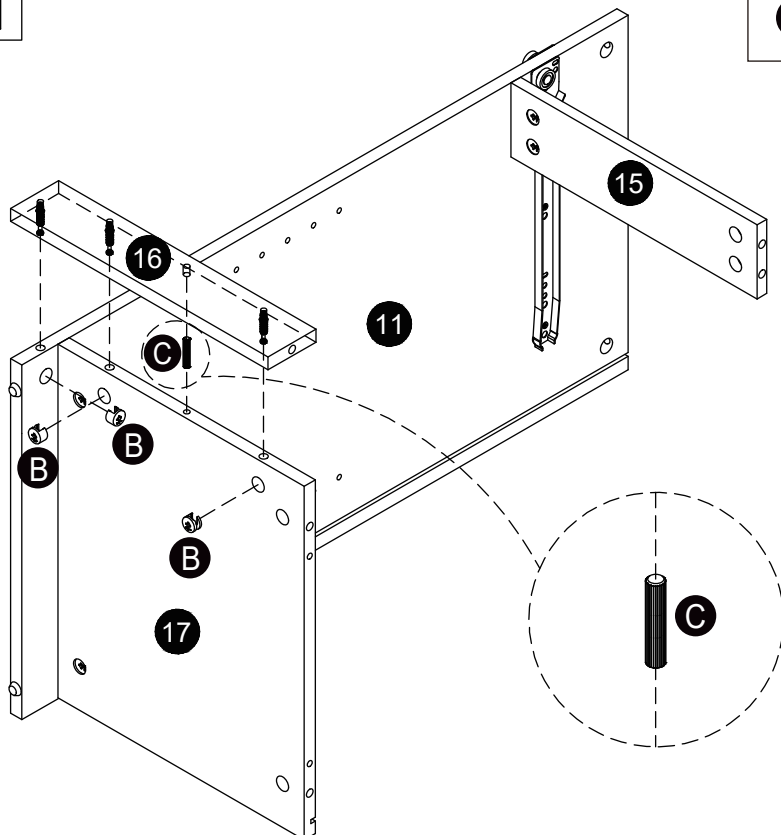
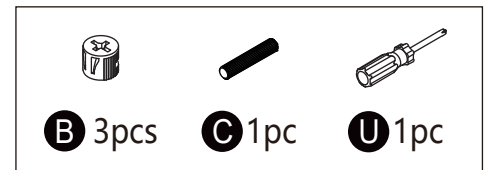
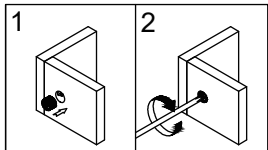
Step 30



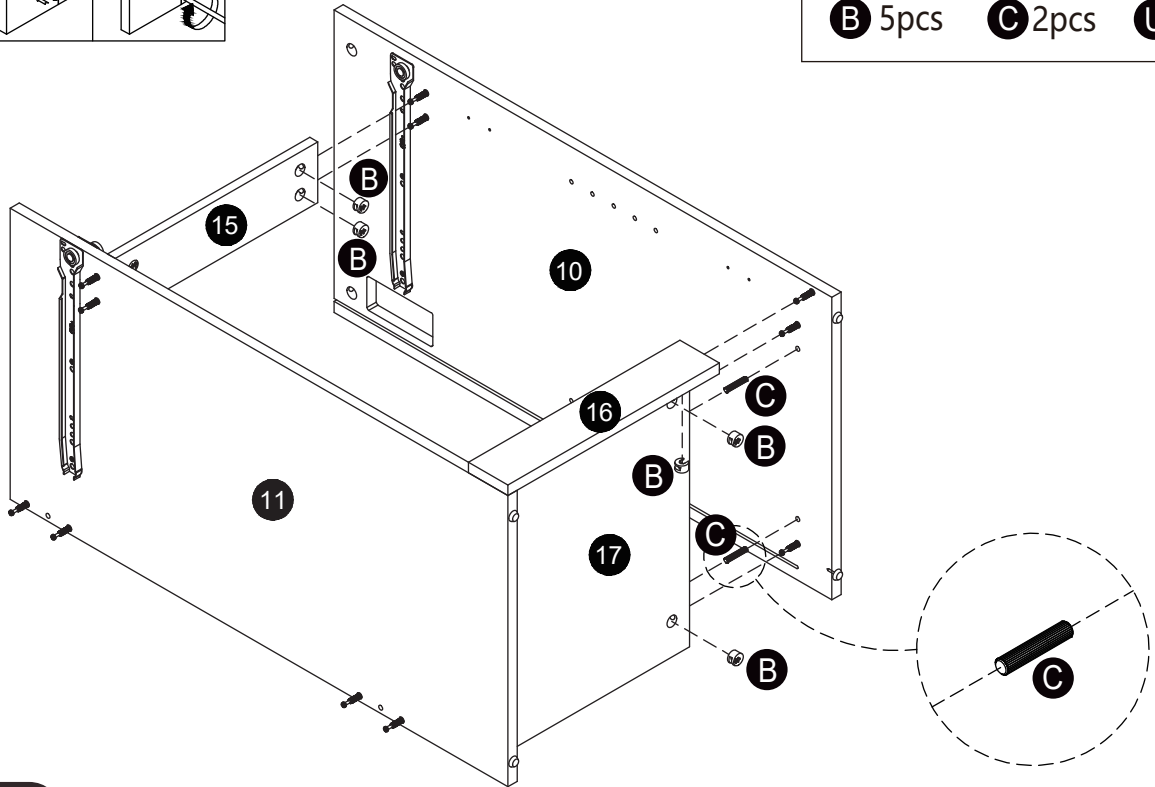
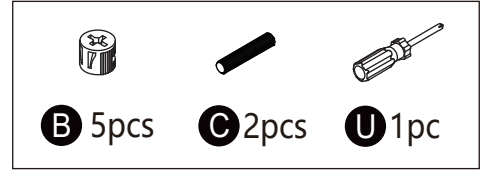
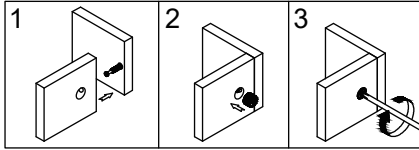
Step 31



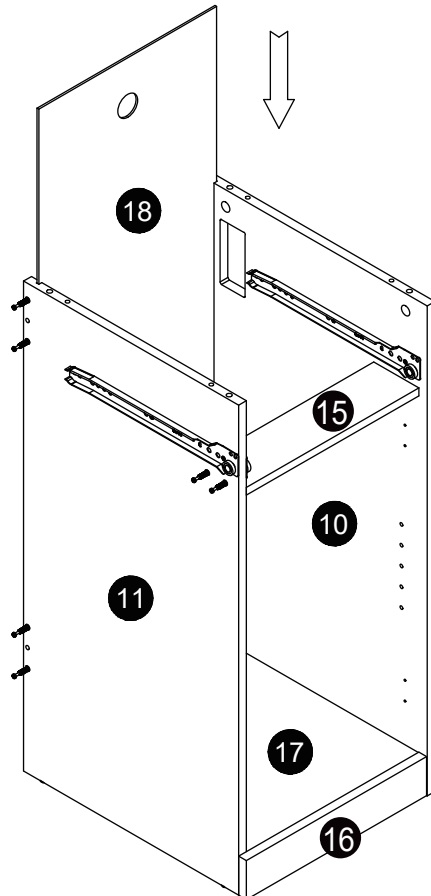
Step 32



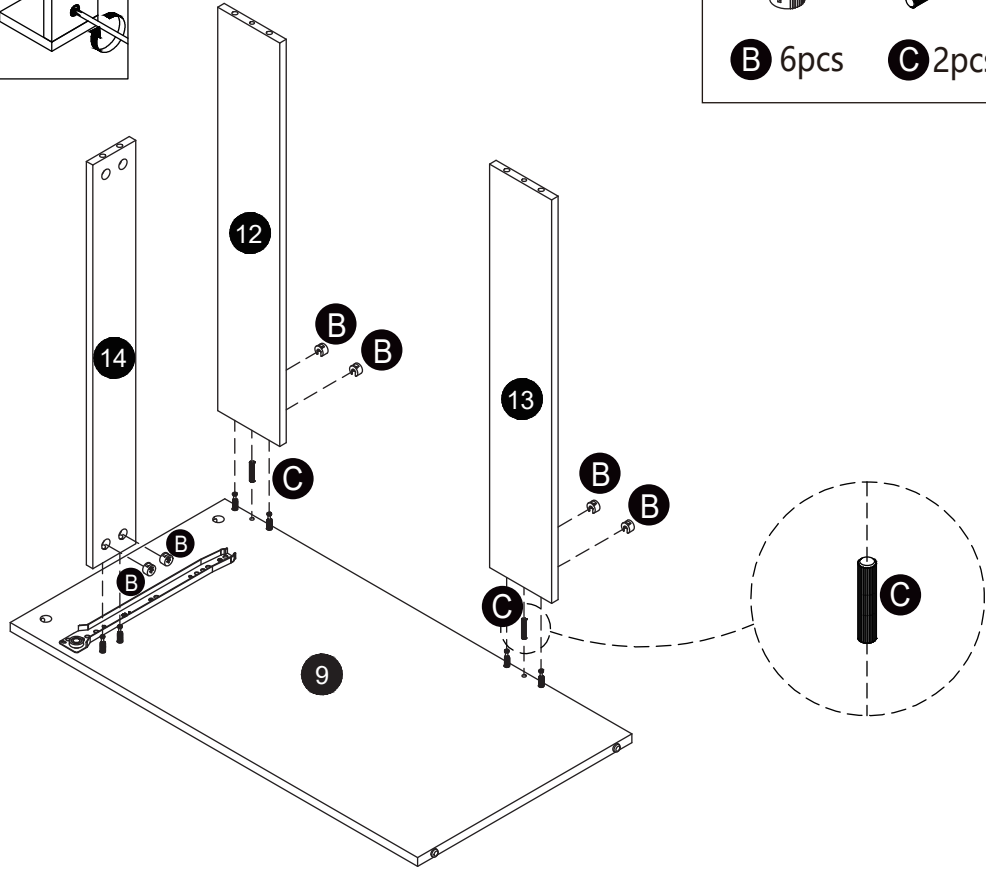
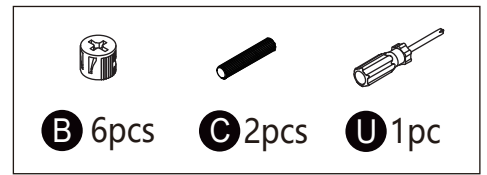
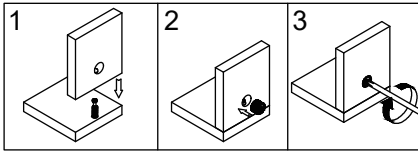
Step 33



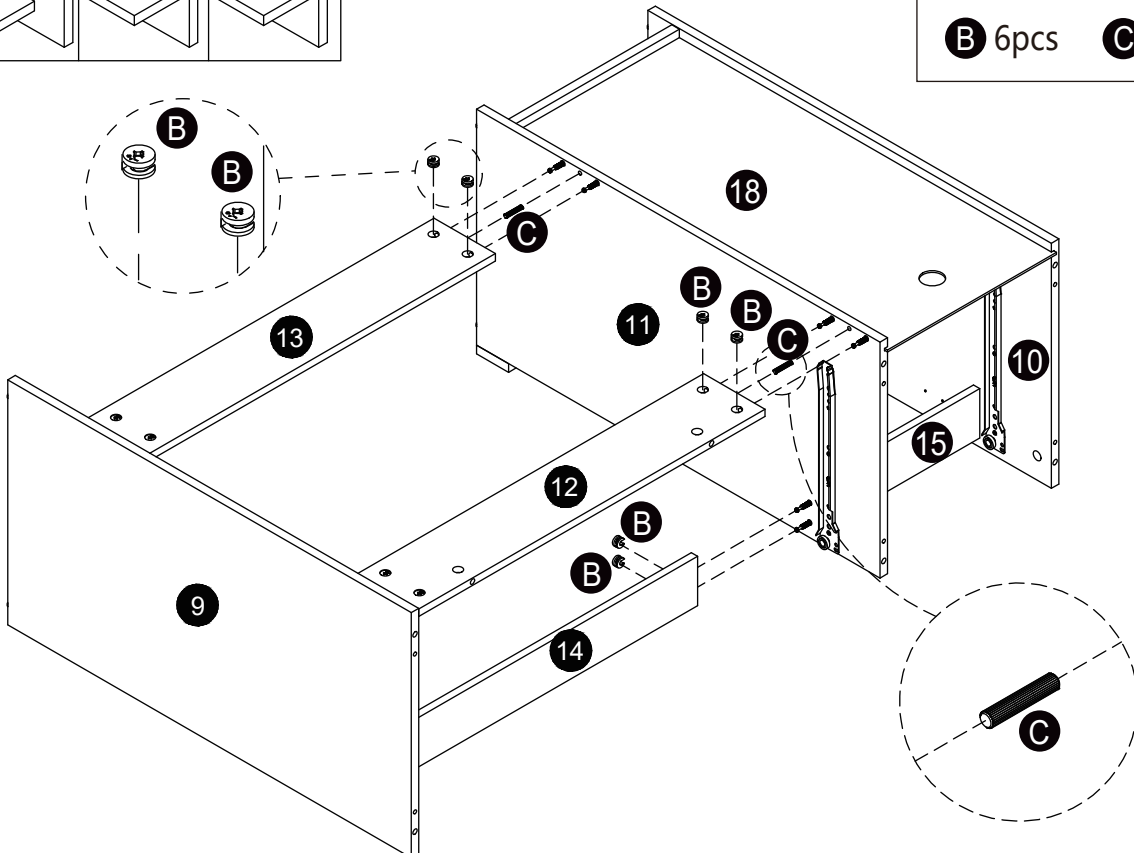
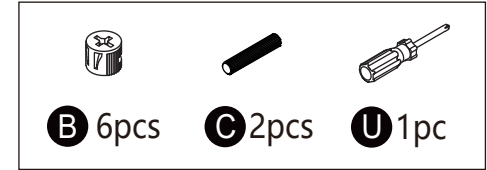
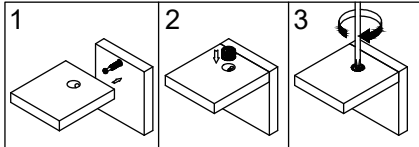
Step 34



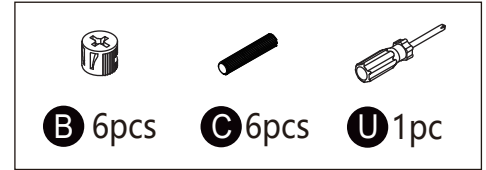
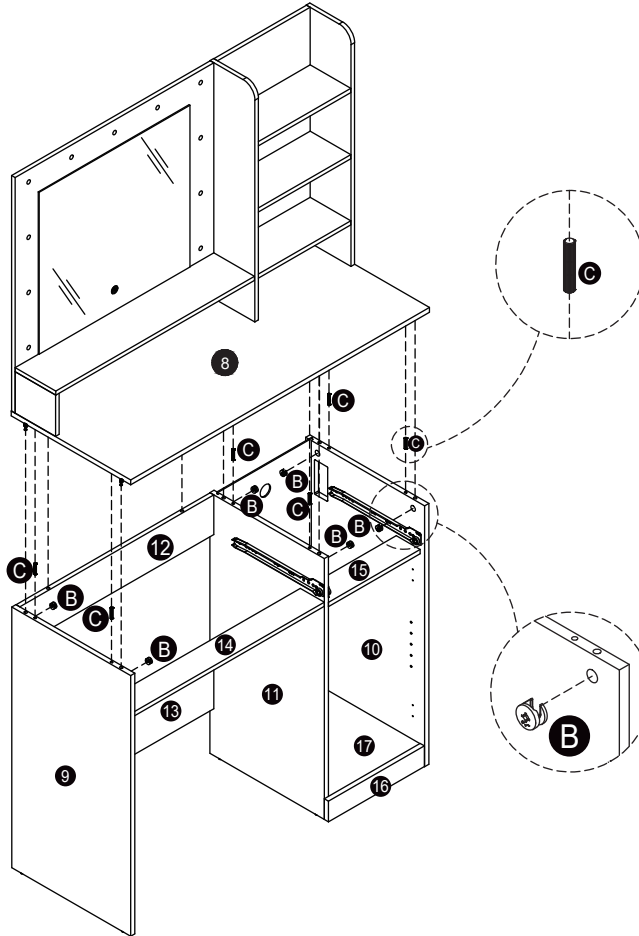
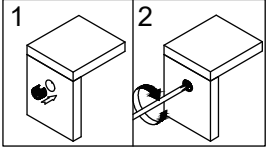
Step 35



Step 36

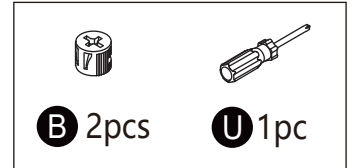
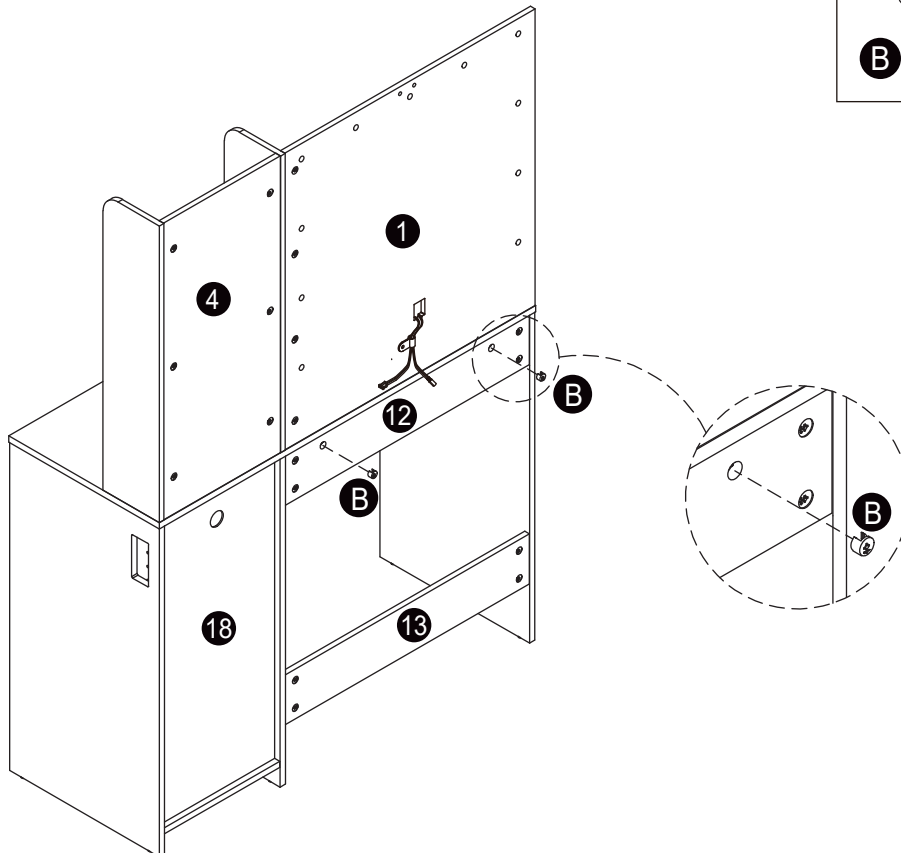
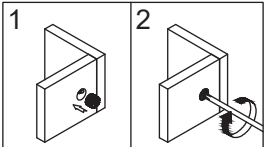


Step 37

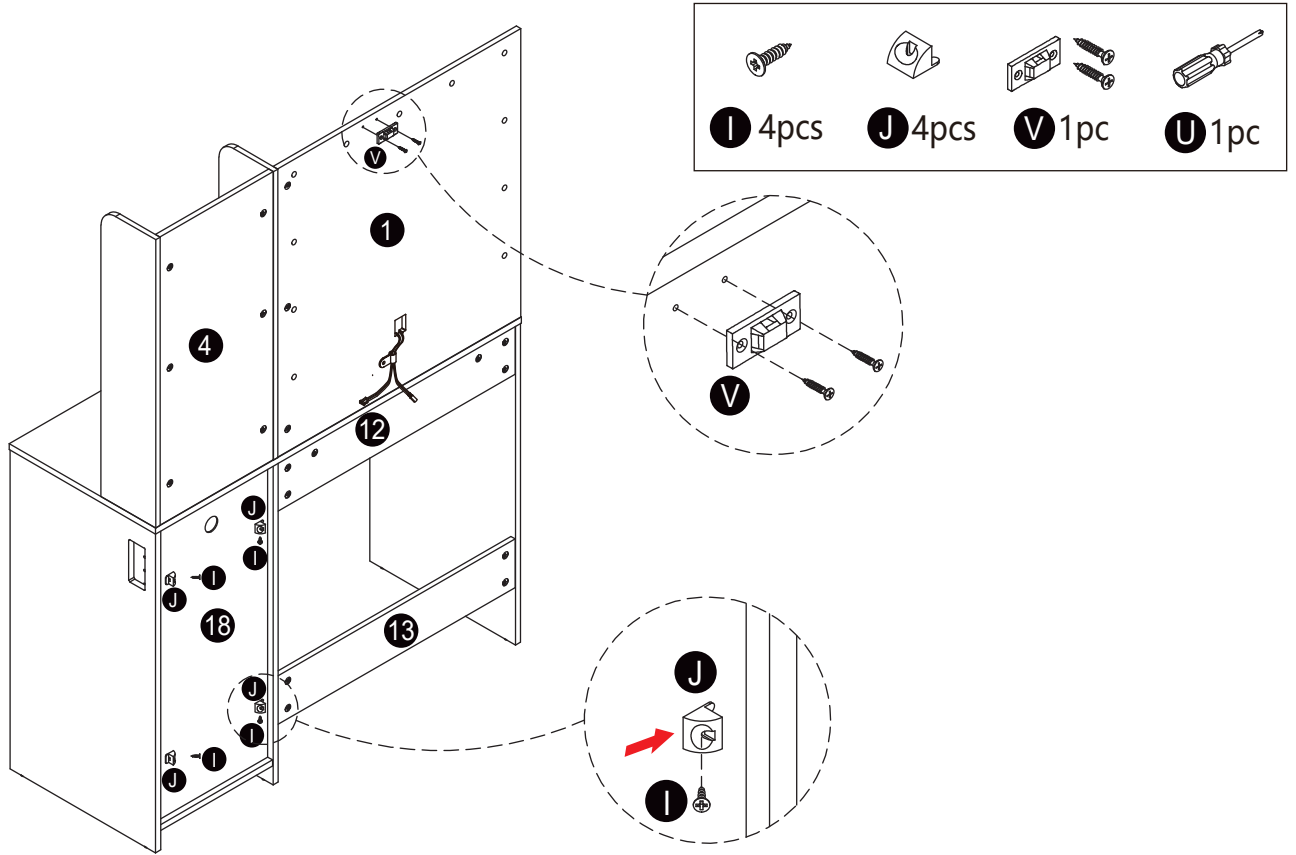


Step 38

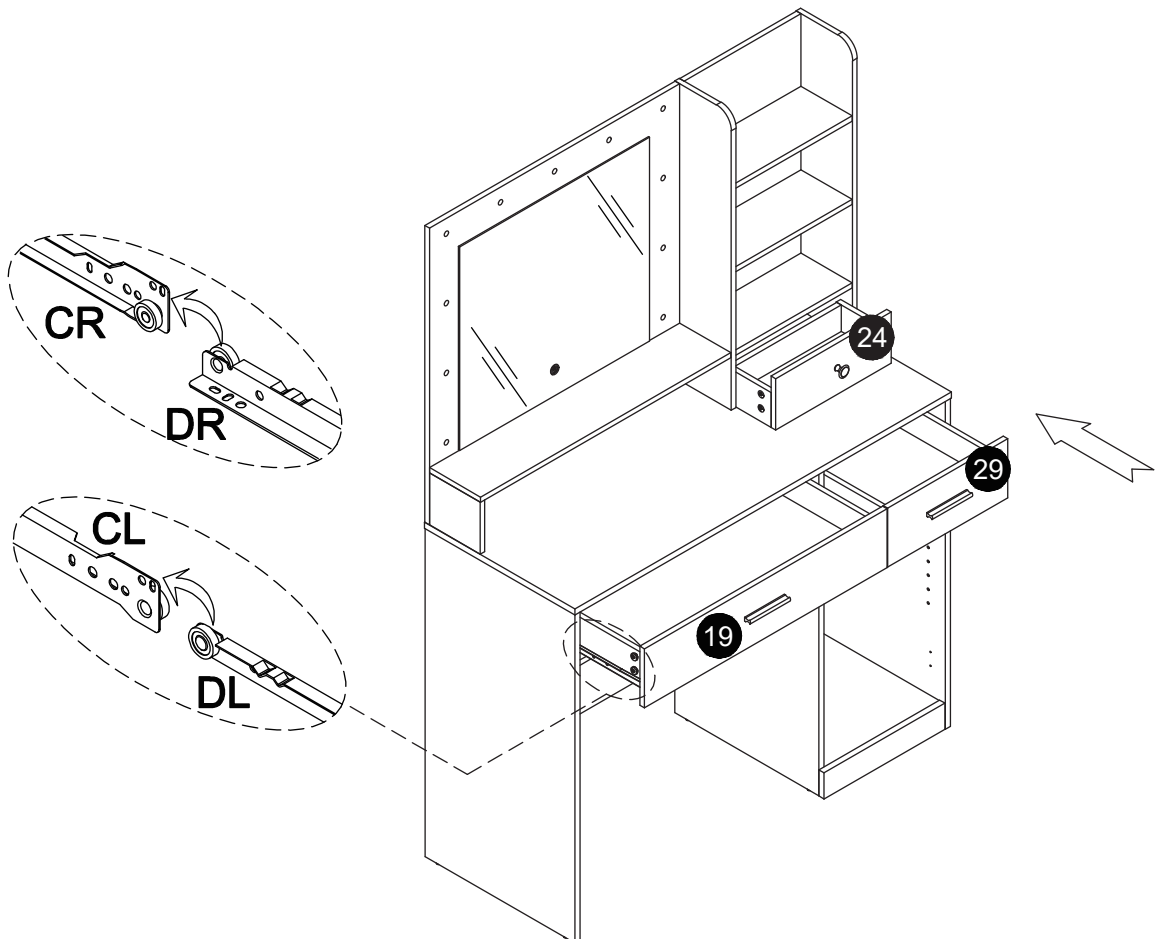
NOTE: This product requires at least two people for installation.



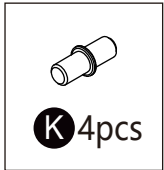
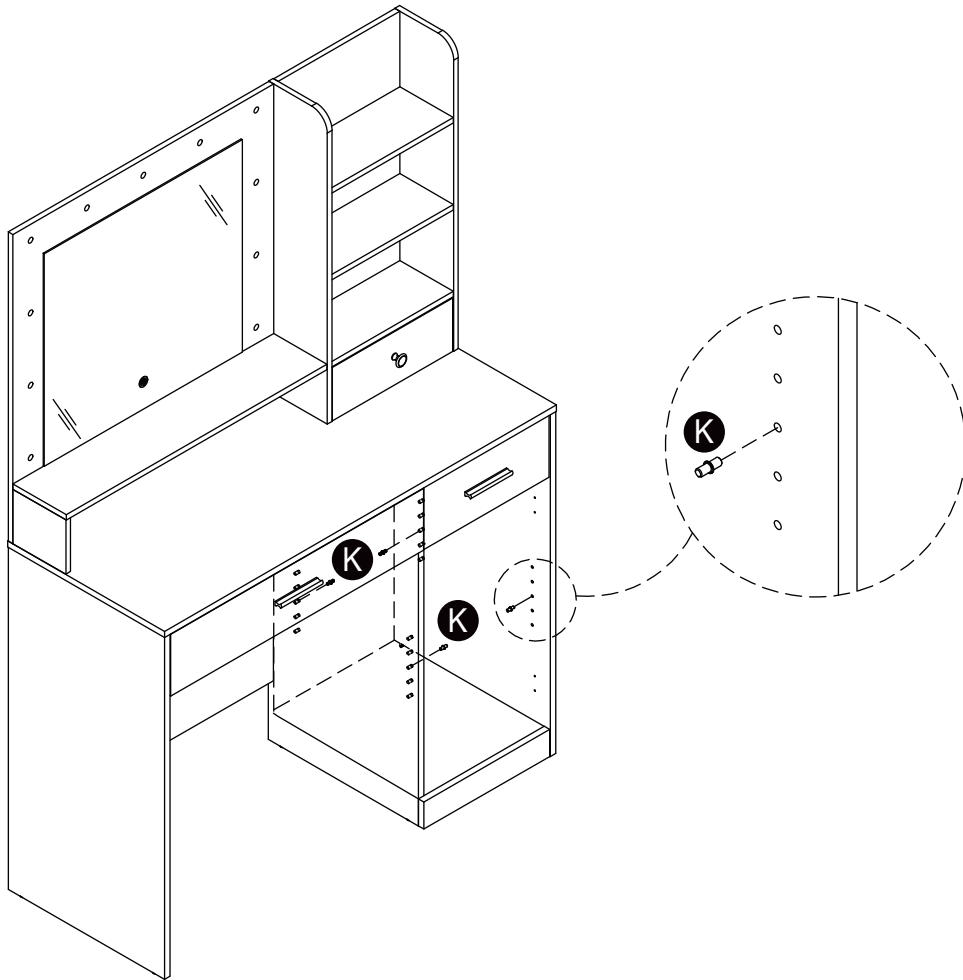
Step 39



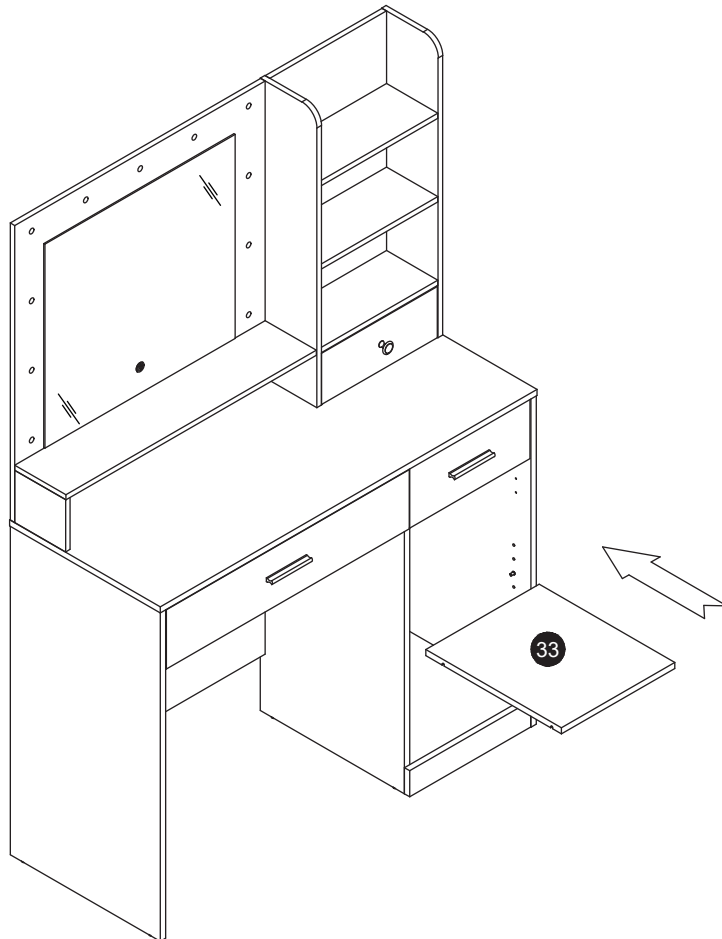
Step 40





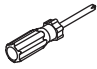
Step 41

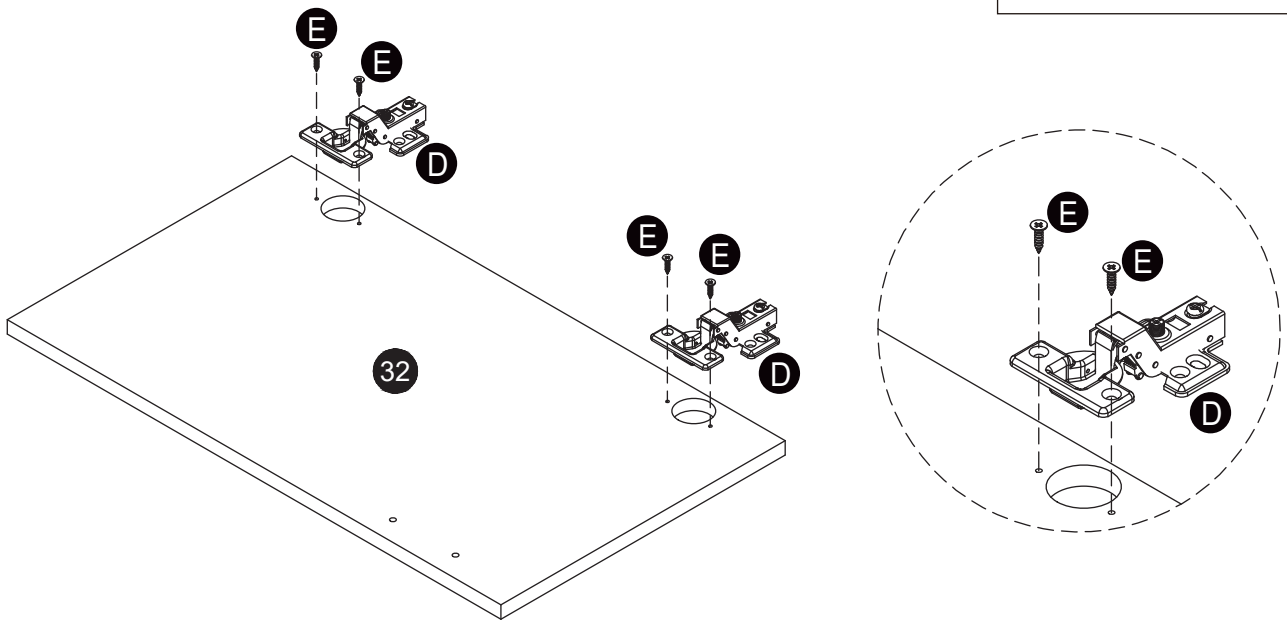


Step 42


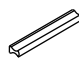
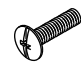
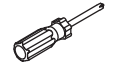


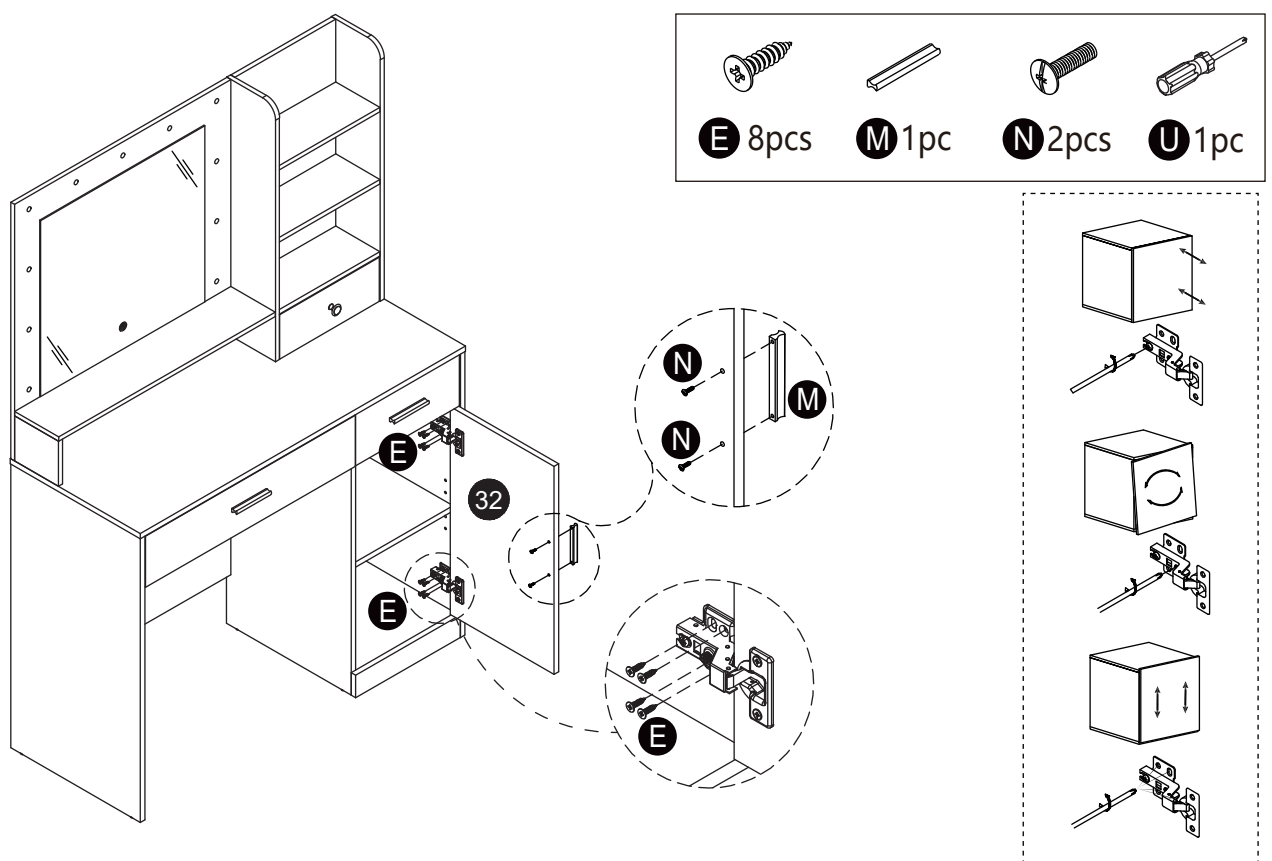
Step 43

-  **D** 2pcs
-  **E** 4pcs
-  **U** 1pc



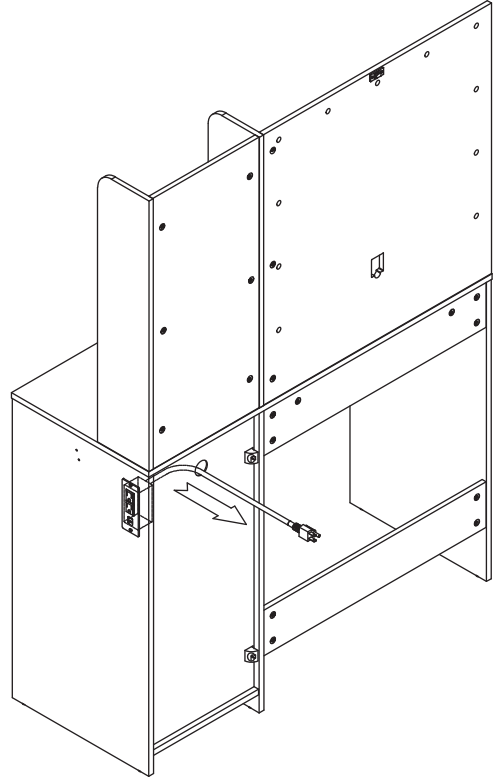
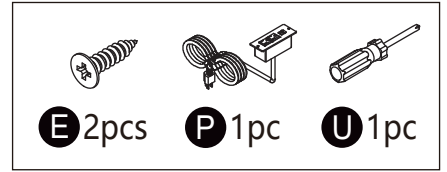
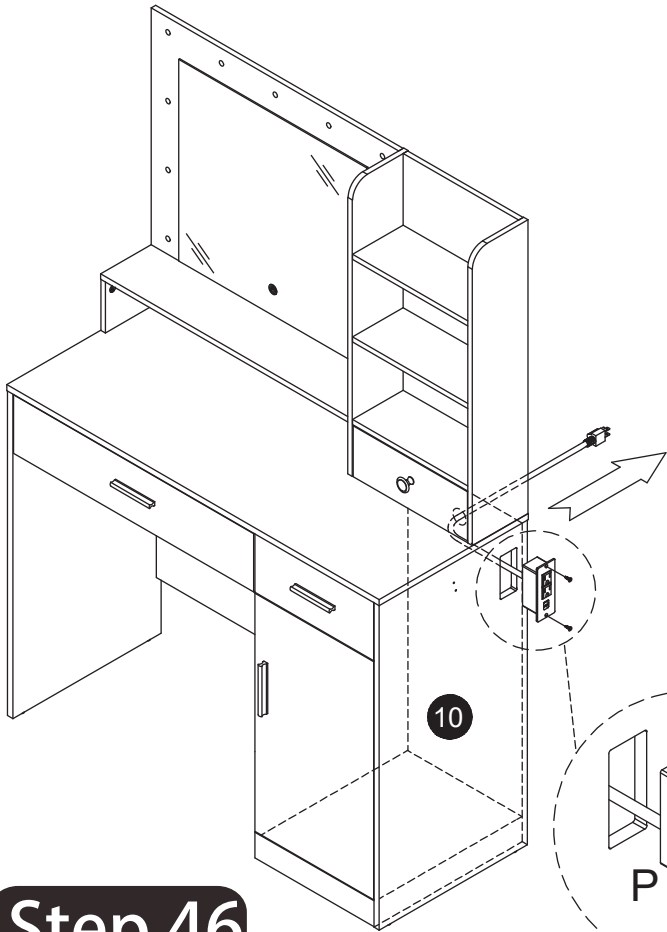
Step 44

-  **E** 8pcs
-  **M** 1pc
-  **N** 2pcs
-  **U** 1pc

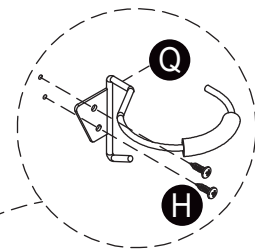
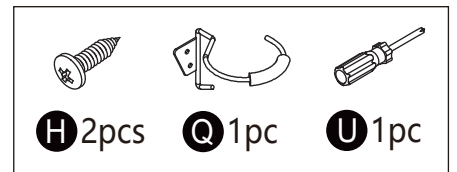
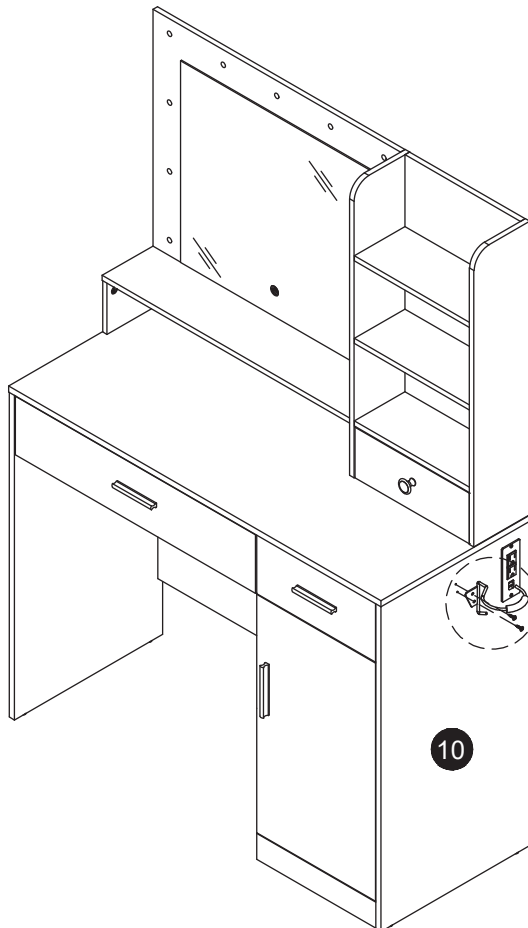


NOTE: After assembling the door, if there are any gaps or misalignment, adjust the hinges as shown right.

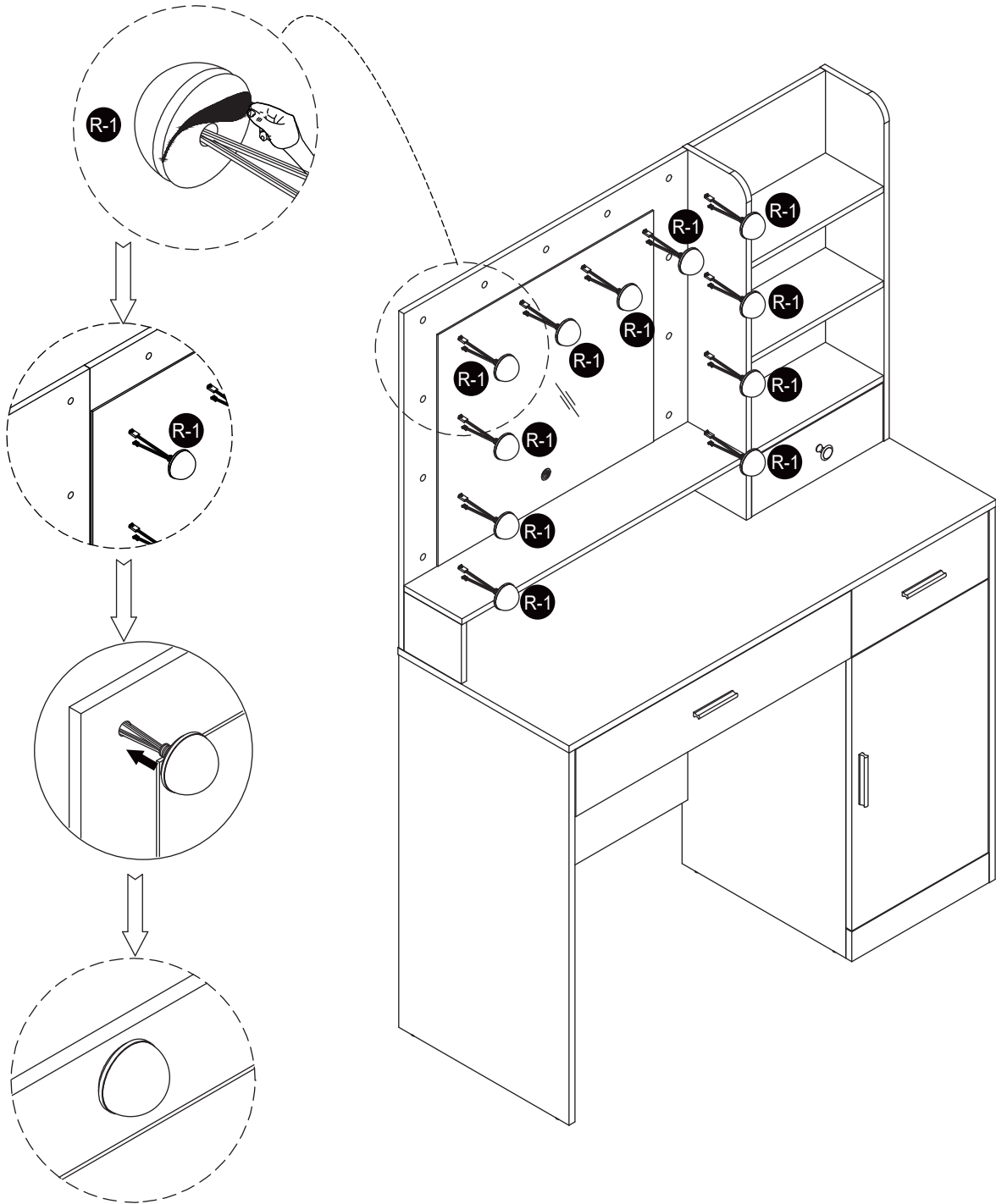
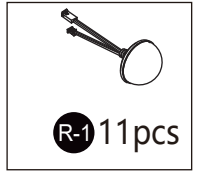
Step 45



Step 46

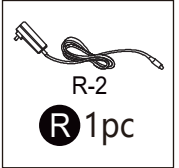


Step 47

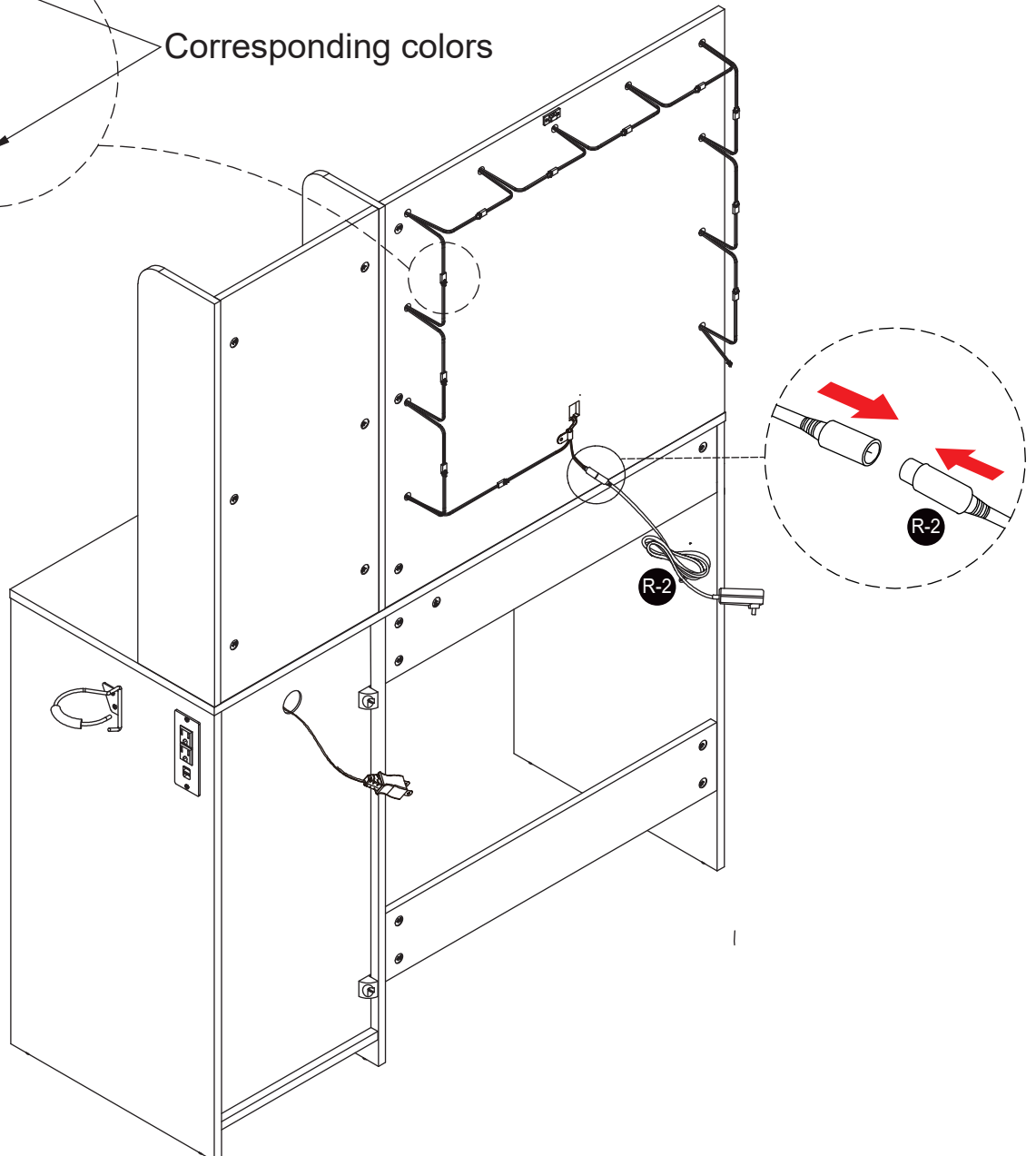
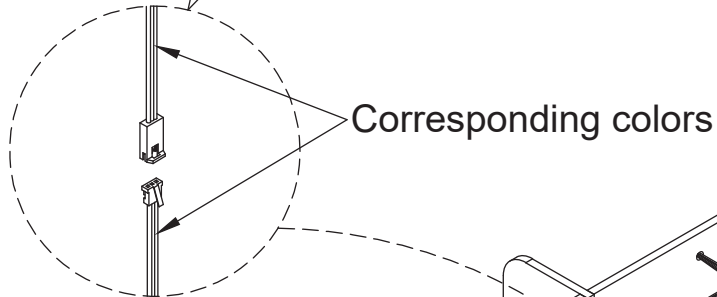


Pass the two wires of the light bulbs through the pre-drilled holes in the board. Gently press the bulbs to attach them to the board.

Step 48



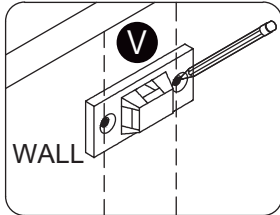
When connecting the wires, please ensure that the wire colors at both ends match each other.



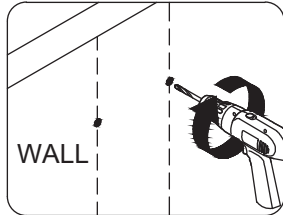
Each bulb has a wire with a small slot at the end. Insert the wire without a slot into the adjacent bulb's slot to connect them all.

Step 49

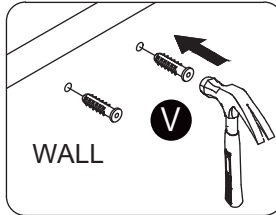
Install the anti-tip kit



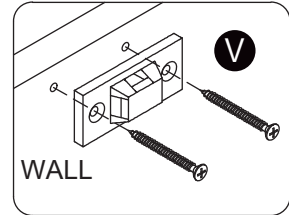
1. Make mark on the wall



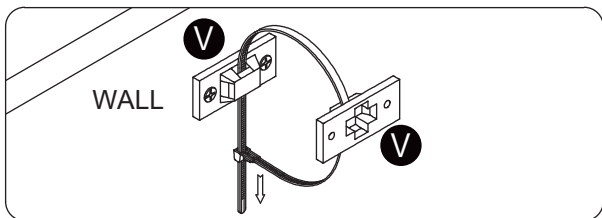
2. Drill two Ø6 holes on the wall



3. Put two anchors in the holes

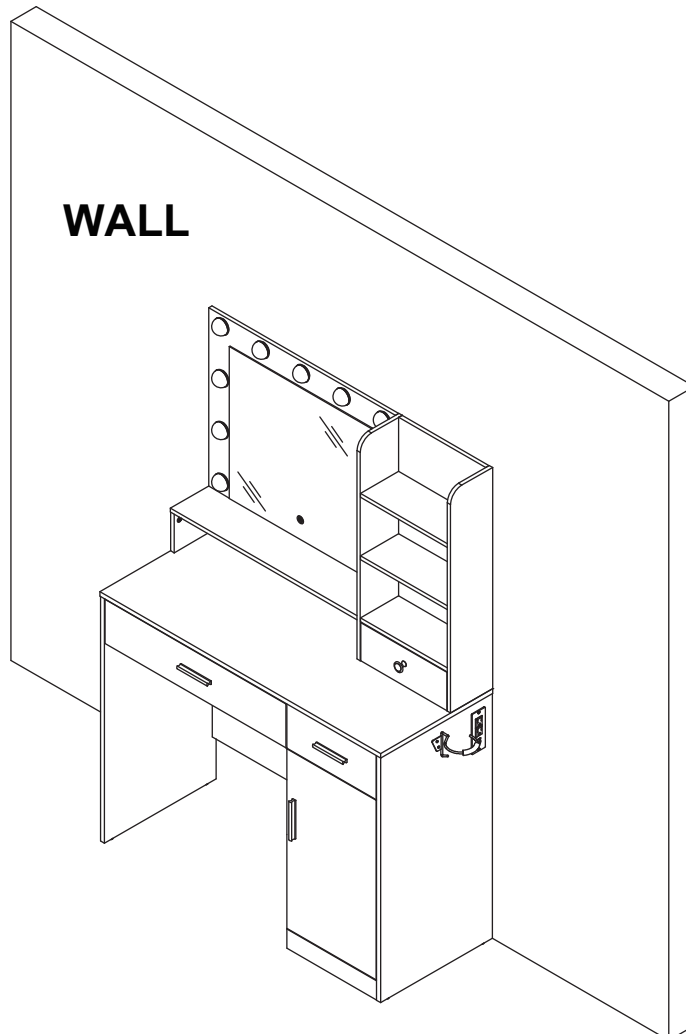


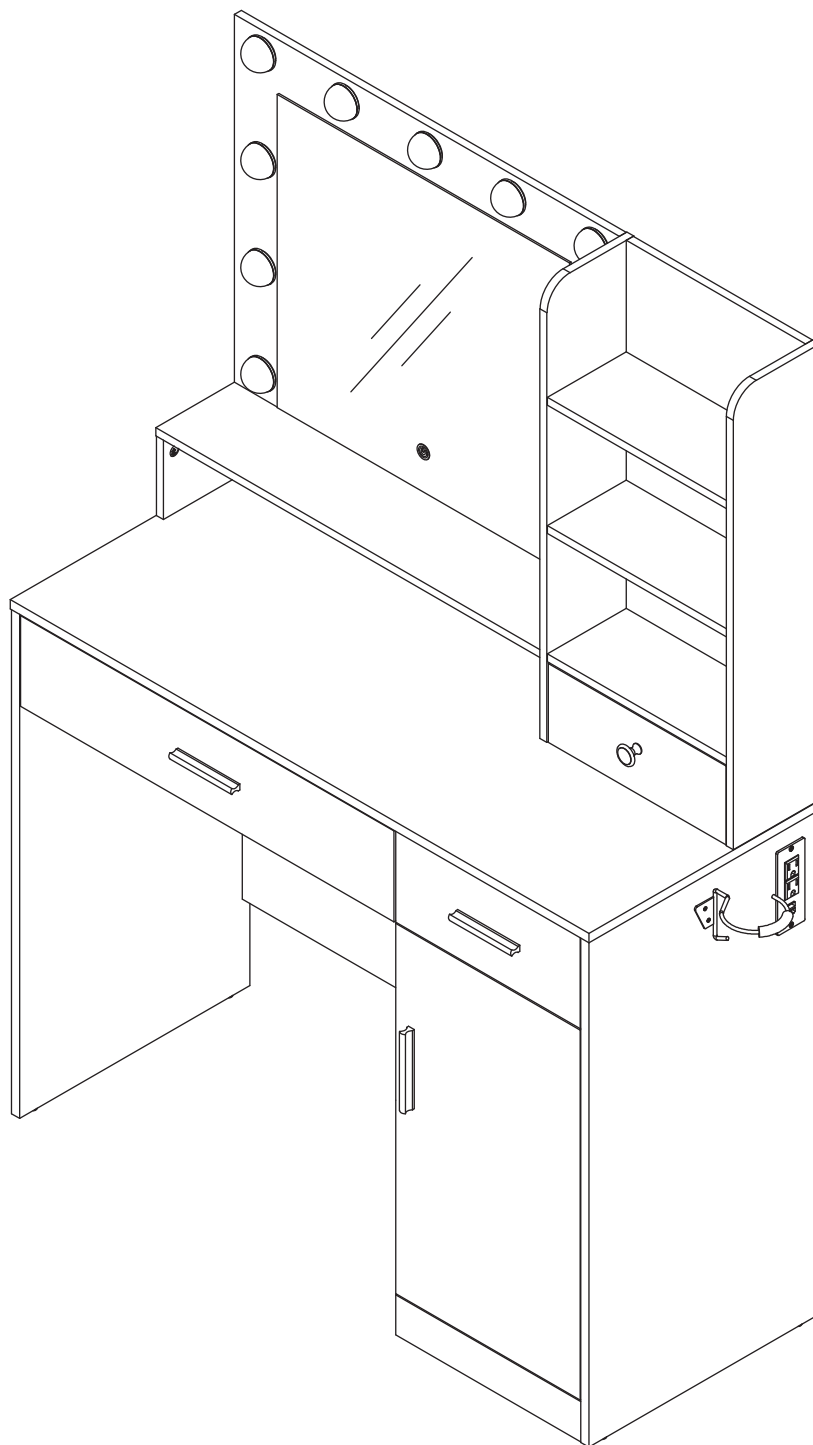
4. Fix the device to the wall using the long screws



5. Push the cabinet towards the wall so that the two bases are close to each other, then use the nylon tie to secure them

NOTE: Pencil, electric drill, and hammer not included.





Technical Support

(909)637-7665 | (909)637-7593

Other Info

HJ-Customer-Service@outlook.com

Thank you for choosing this product. We strive to provide you with the best quality products and service in the industry. Should you have any issues, please don't hesitate to contact us.