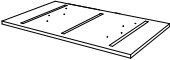
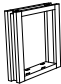


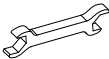
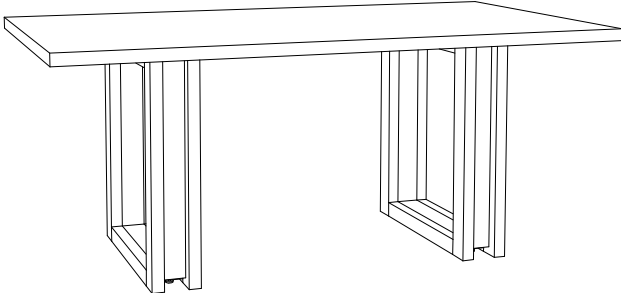


# Assembly Instruction

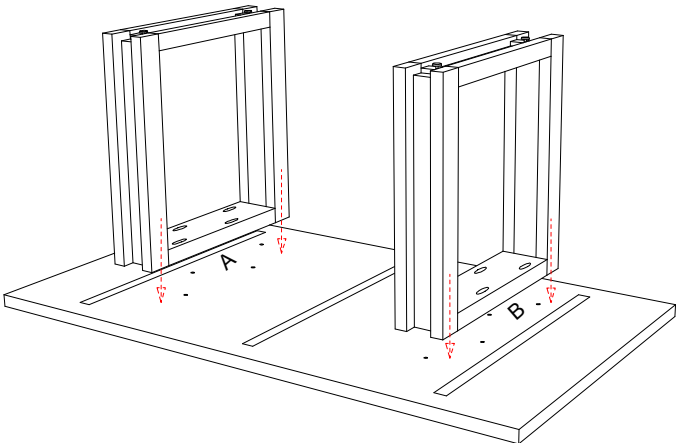
Product description: Dining Table

Hardware and Component list:

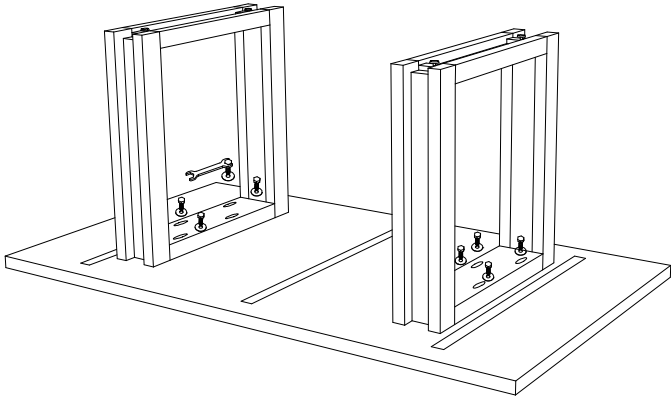
NO.	Hardware/Component List	Quantity
1	 Table Top	1
2	 Leg	2
3	 Bolt (8x70 mm)	8
4	 Washer (8x25 mm)	8
5	 Wrench	1



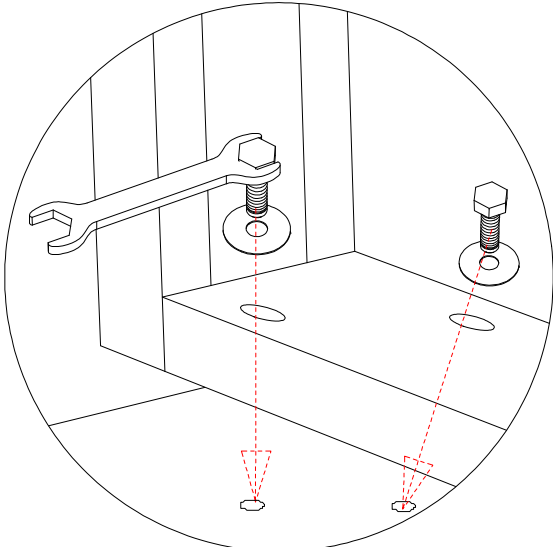
1



2



3



4

