


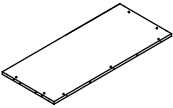
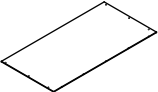
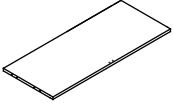
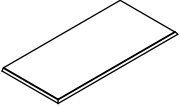
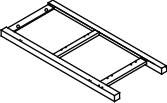
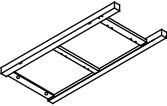
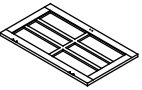
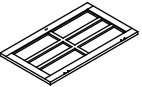
USER'S MANUAL

Storage Cabinet

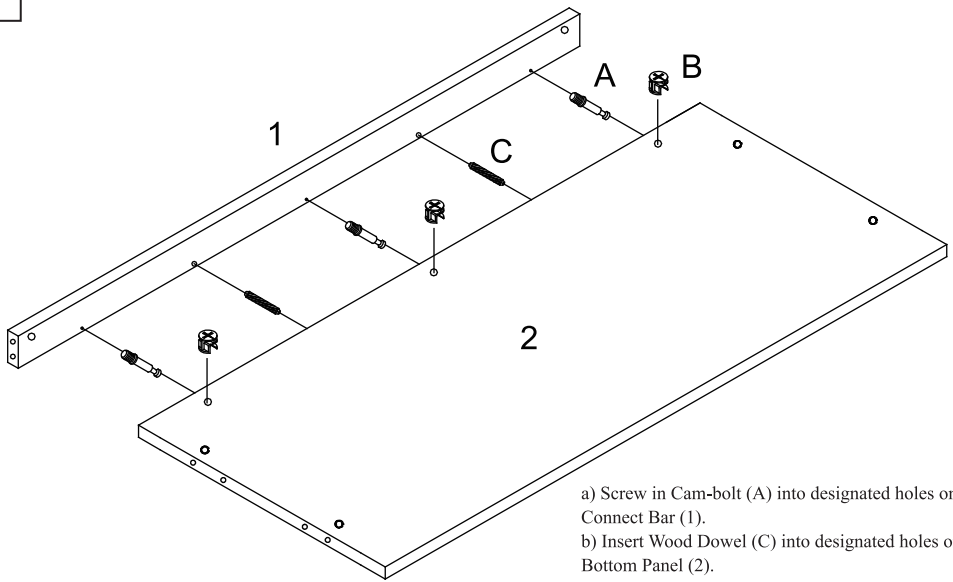
Hardware List

A		Cam Bolt	x 17
B		Camlock	x 17
C		Wooden Dowel	x 16
D	 3*14mm	Screw	x 2
E	 3*12mm	Screw	x 18
F		Magnetic Catch	x 1
G		Magnetic Bar	x 2
H		Screw	x 27
I		Hinge	x 4
J		Knob Bolt	x 2
K		Knob	x 2

Parts List

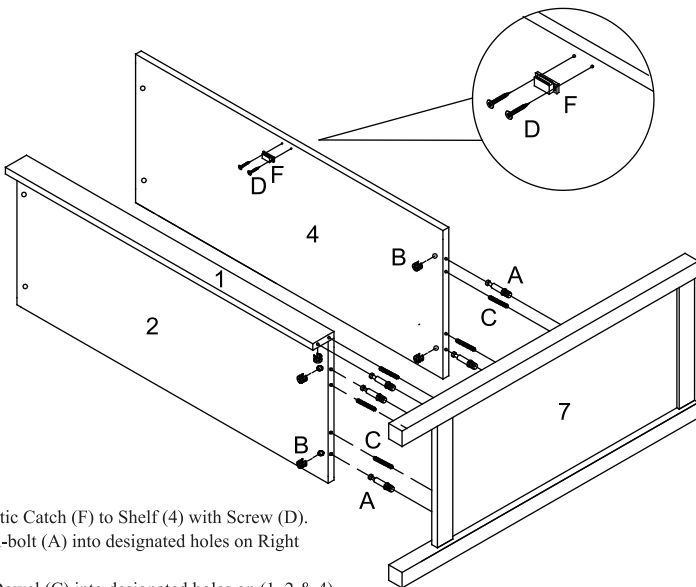
1		Connect Bar	x 1
2		Bottom Panel	x 1
3		Back Panel	x 2
4		Shelf	x 1
5		Top Panel	x 1
6		Left Side Panel	x 1
7		Right Side Panel	x 1
8		Left Door	x 1
9		Right Door	x 1

1



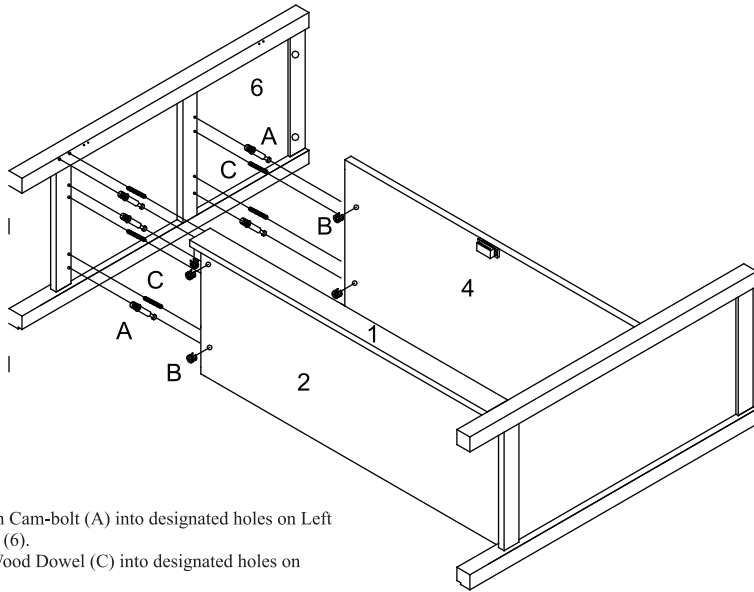
- a) Screw in Cam-bolt (A) into designated holes on Connect Bar (1).
- b) Insert Wood Dowel (C) into designated holes on Bottom Panel (2).
- c) Attach (1) to (2) via Cam-bolts and Wood Dowels.
- d) Insert Cam-lock (B) into designated holes on (2) then turn clockwise to lock onto Cam-bolt. Do not overtighten.

2



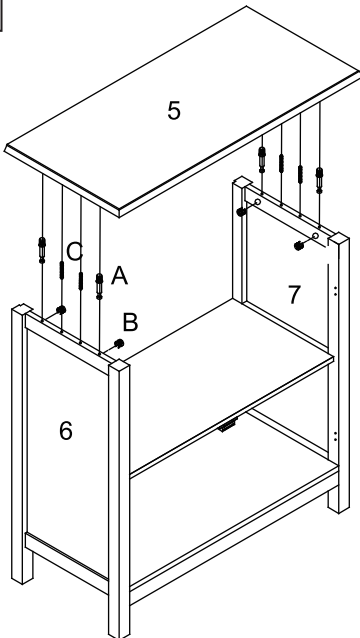
- a) Attach Magnetic Catch (F) to Shelf (4) with Screw (D).
- b) Screw in Cam-bolt (A) into designated holes on Right Side Panel (7).
- c) Insert Wood Dowel (C) into designated holes on (1, 2 & 4).
- d) Attach (1, 2 & 4) to (7) via Cam-bolts and Wood Dowels.
- e) Insert Cam-lock (B) into designated holes on (1, 2 & 4) then turn clockwise to lock onto Cam-bolt. Do not overtighten.

3



- a) Screw in Cam-bolt (A) into designated holes on Left Side Panel (6).
- b) Insert Wood Dowel (C) into designated holes on (1, 2 & 4).
- c) Attach (6) to (1, 2 & 4) via Cam-bolts and Wood Dowels.
- d) Insert Cam-lock (B) into designated holes on (1, 2 & 4) then turn clockwise to lock onto Cam-bolt. Do not overtighten.

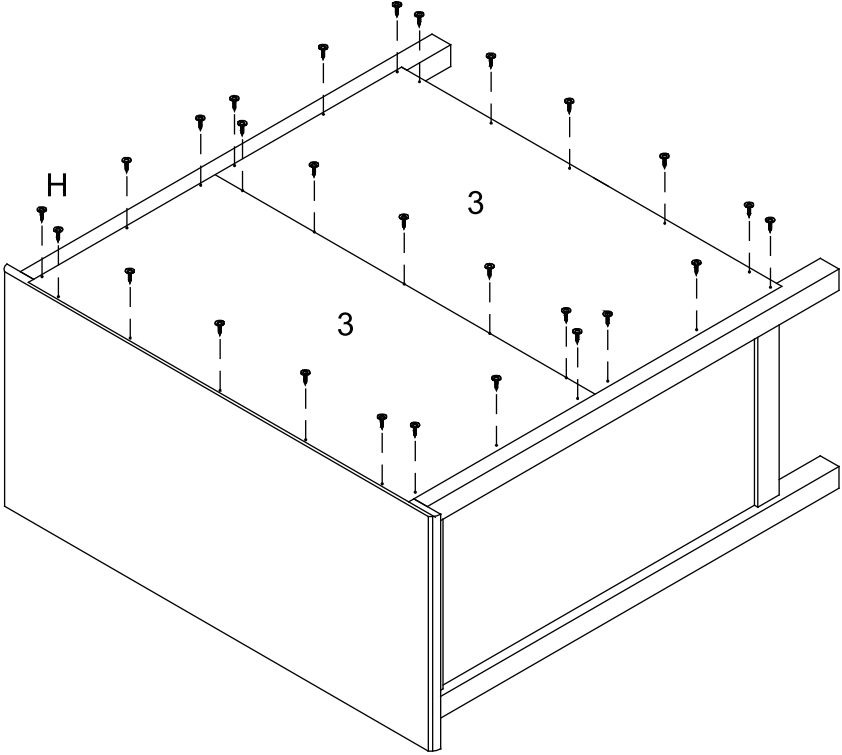
4



- a) Screw in Cam-bolt (A) into designated holes on Top Panel (5).
- b) Insert Wood Dowel (C) into designated holes on (6 & 7).
- c) Attach (5) to (6 & 7) via Cam-bolts and Wood Dowels.
- d) Insert Cam-lock (B) into designated holes on (6 & 7) then turn clockwise to lock onto Cam-bolt. Do not overtighten.

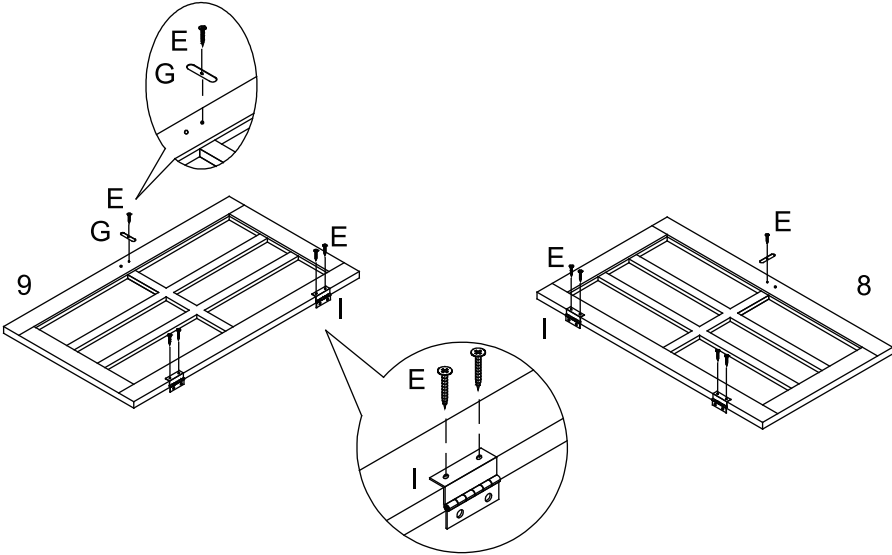
5

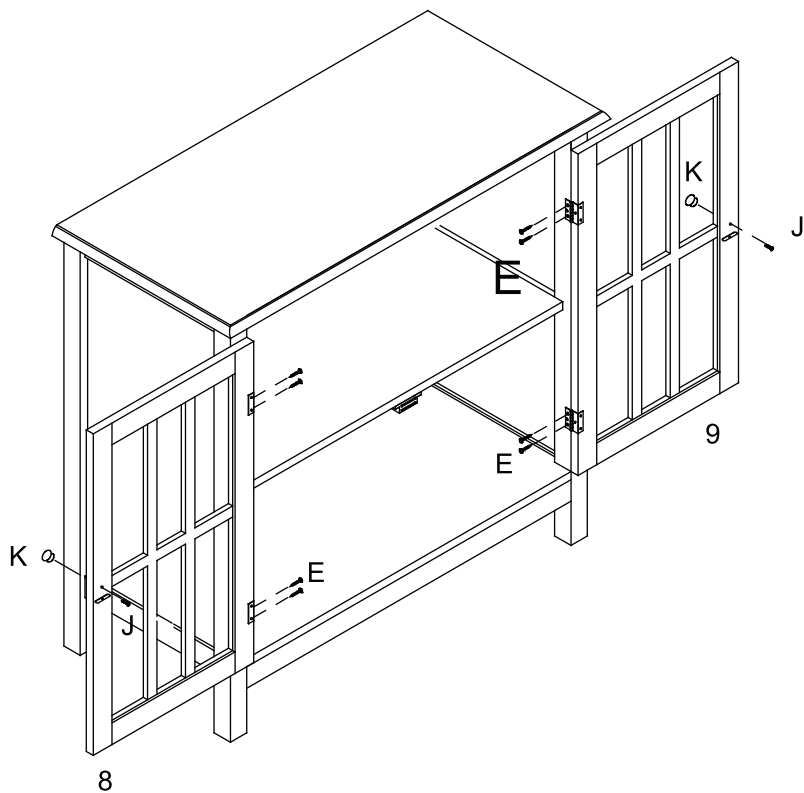
Attach Back Panel (3) by using Screw (H) as shown.



6

Attach Hinge (I) and Magnetic Bar (G) to Door (8 & 9) by using Screw (E) as shown.





- a) Attach Door (8 & 9) to Side Panel by using Screw (E) as shown.
- b) Attach Knob (K) to Doors by using Knob Bolt (J).

The assembly of the cabinet unit is complete.