







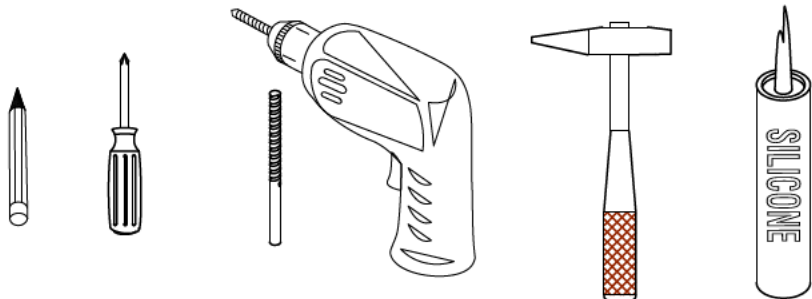
Thank you for shopping with us!

We encourage you to take a few minutes to go through this booklet. It contains important information on installation and care tips to keep your furniture looking as good as new.

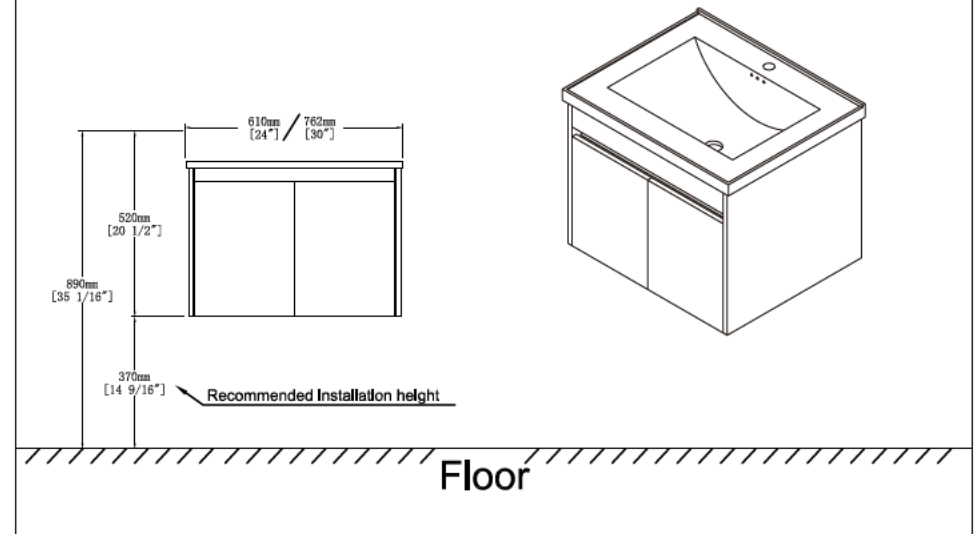
Hardware

NO.	Draw	QTY
A		21
B		21
C		40
D		2
E		4
F		2

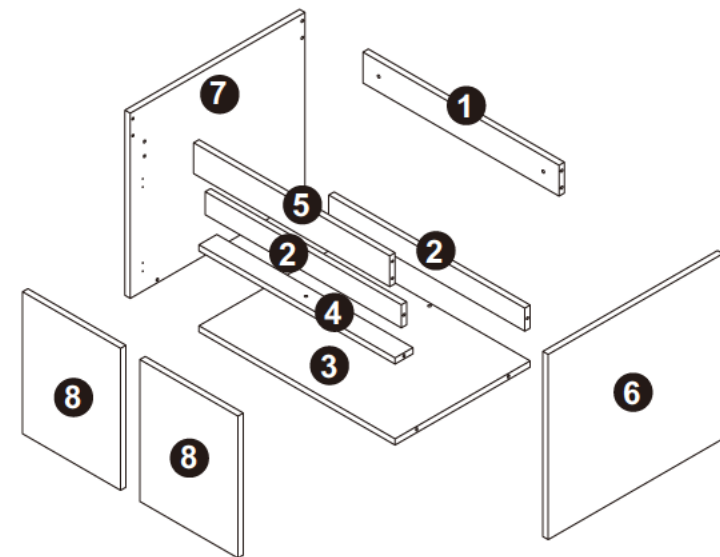
Recommended tools




Dimensions

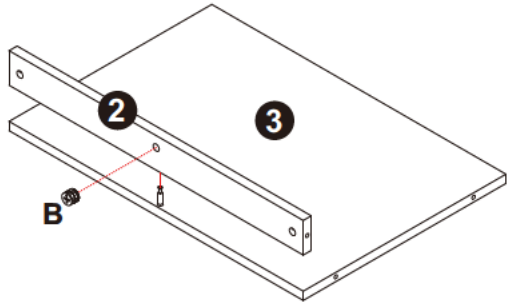


Components




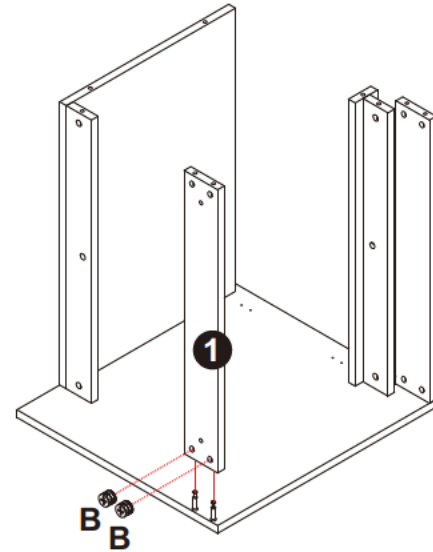
STEP5

 x1
B




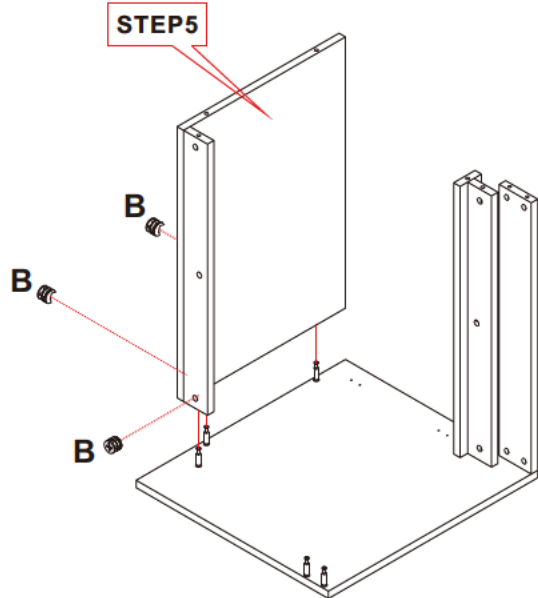
STEP7

 x2
B




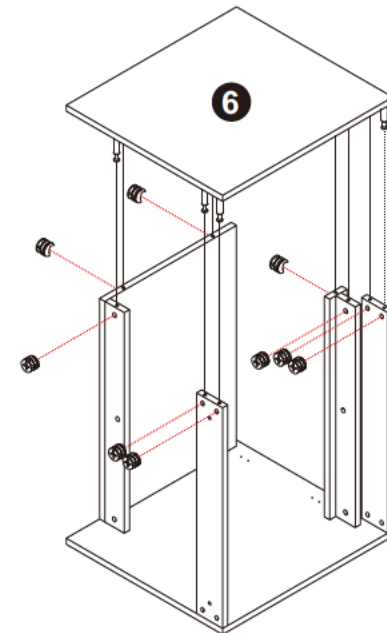
STEP6

 x3
B

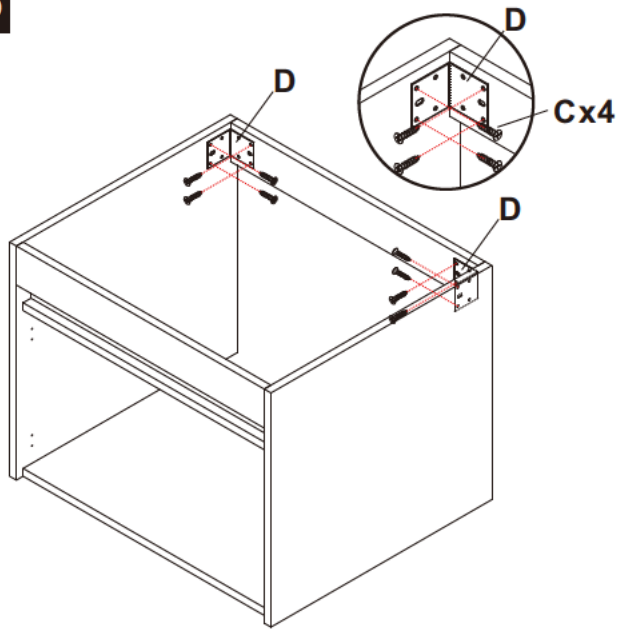




STEP8

 x9
B

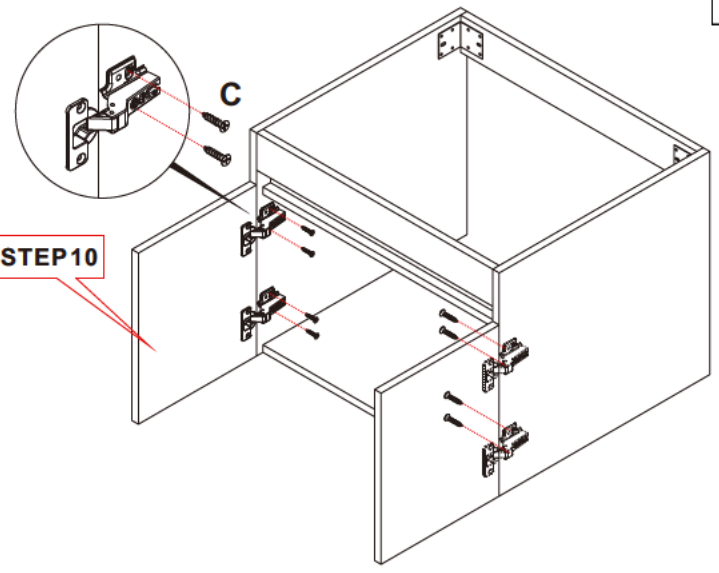



STEP9



-  x2
- D**
-  x8
- C**

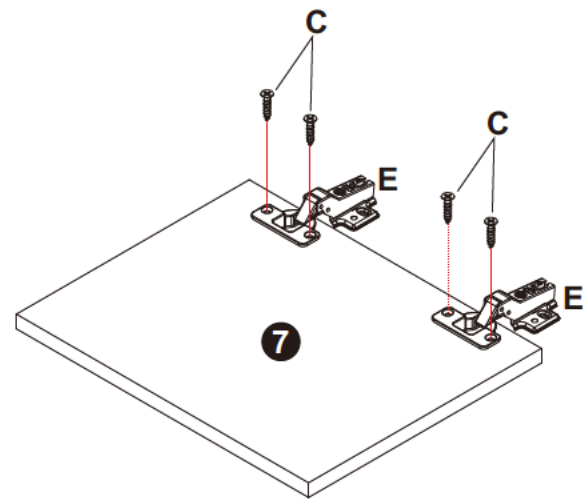
STEP11





-  x8
- C**

STEP10

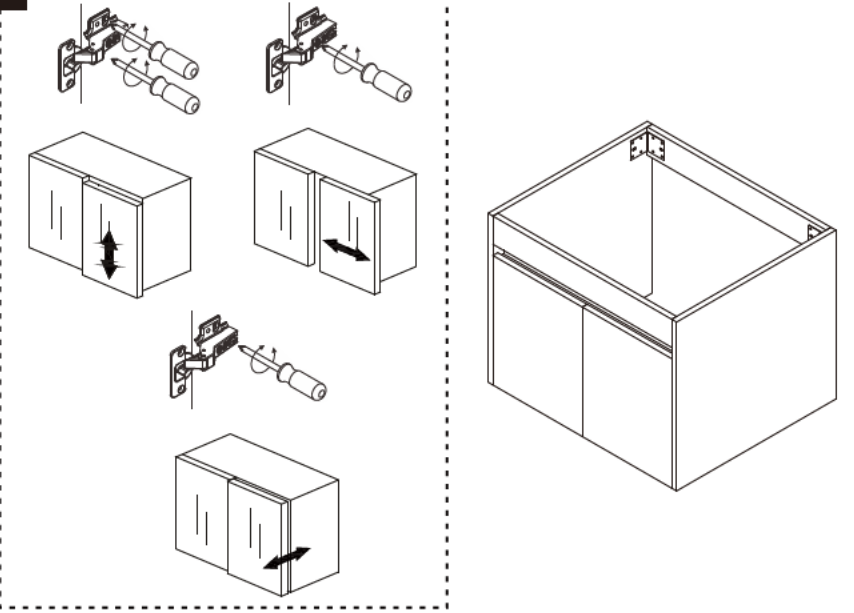
STEP10

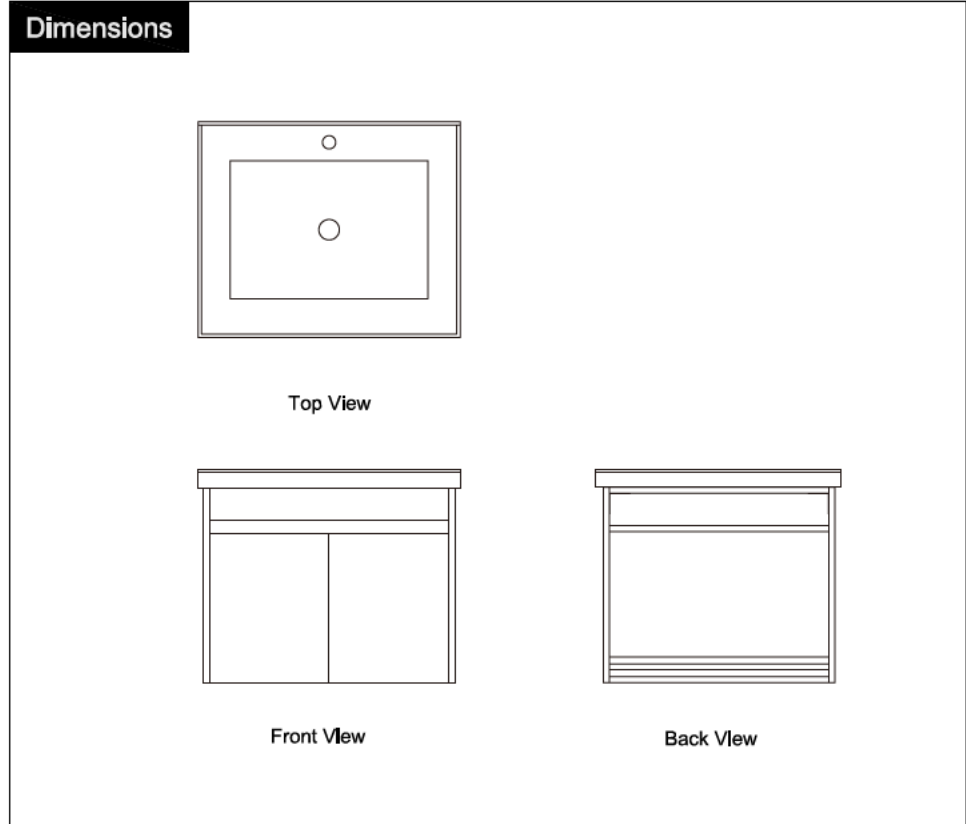
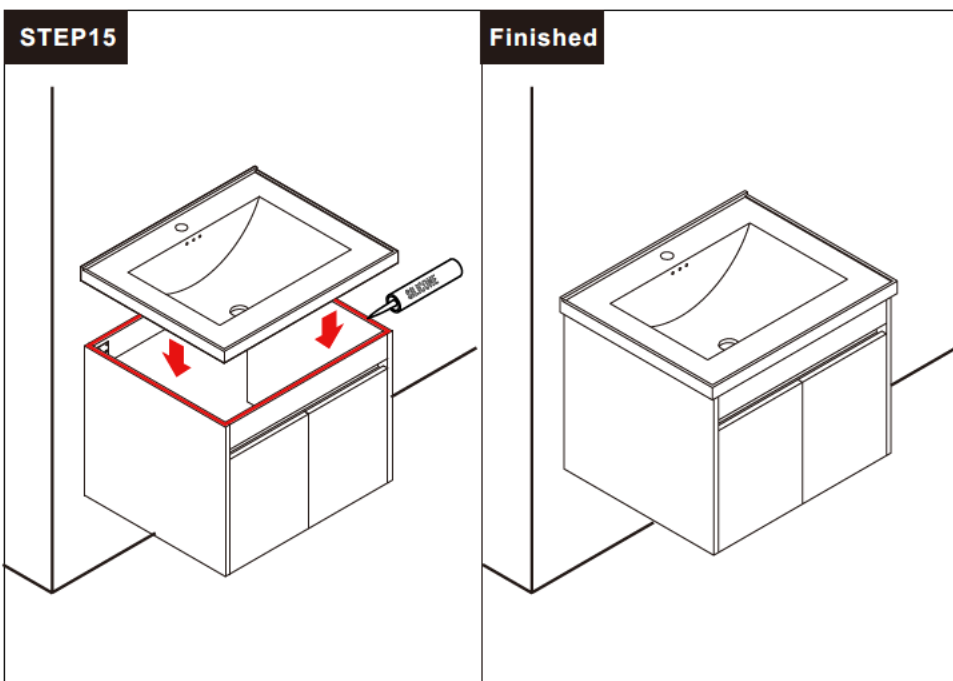
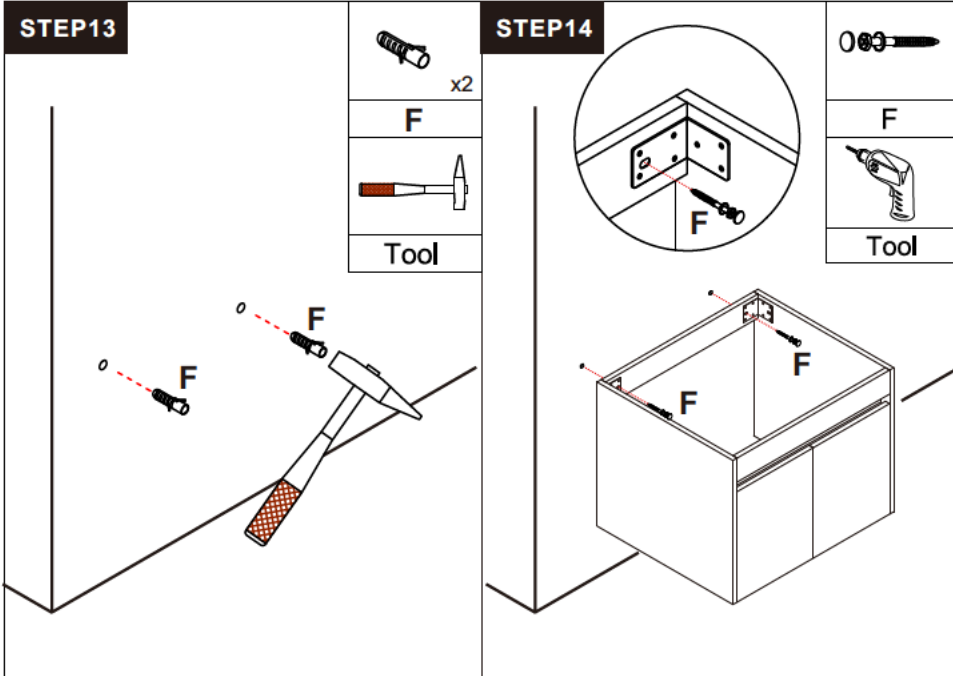


-  x4
- E**
-  x8
- C**

x2

STEP12





CARE CLEANING AND MAINTENANCE

1. Dust regularly with a soft , dry cloth.
2. Avoid the use of all chemicals household cleaners, abrasives, or cleaners that contain lemon, vinegar, or other acids that may damage the finish.
3. Excessive exposure to sunlight and extreme changes in temperature and moisture can damage wood furniture.
4. The sink top is resilient, but care needs to be taken to preserve its appearance.
5. Do not place hot appliances, such as curling irons and hot hair dryers directly on the countertop. Wipe spills immediately.