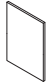



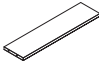
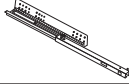




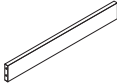

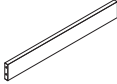

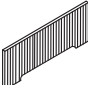
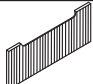
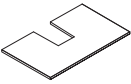
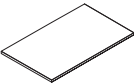
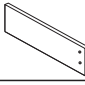
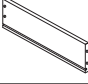

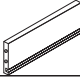
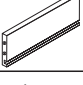
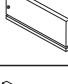
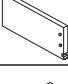
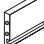
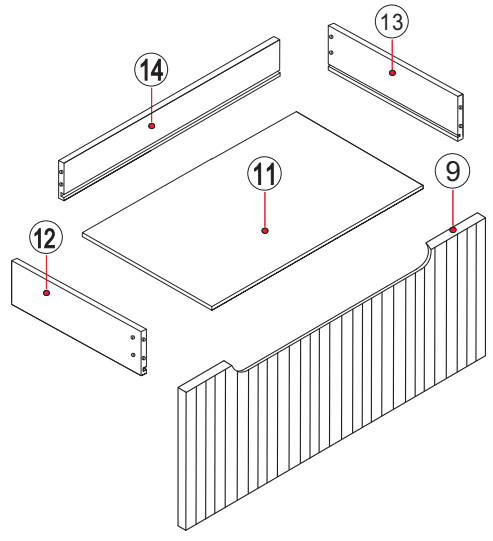
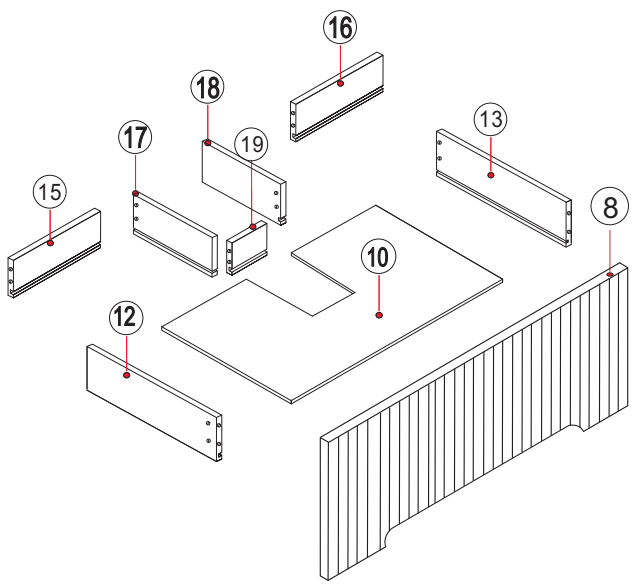
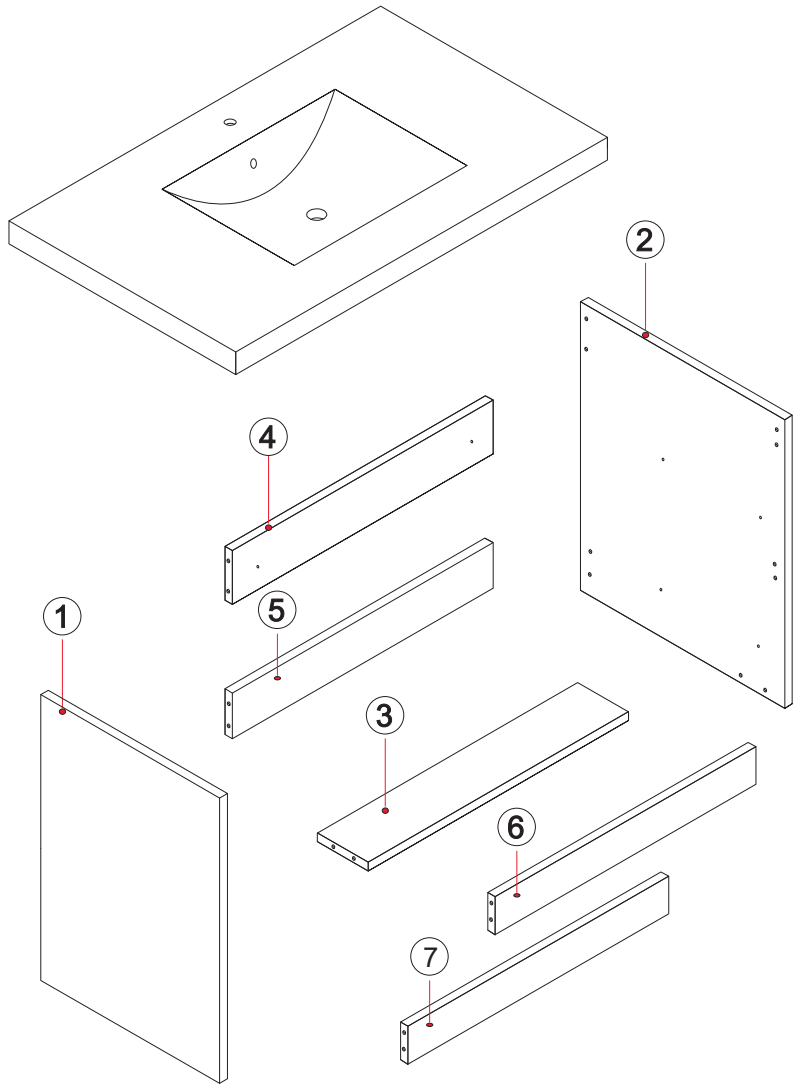


**ATTENTION:**

1. Please check the manual carefully and make sure you have received all the parts.
2. If there is any missing, please let us know the letter of the parts you need.
3. If there is any damage, please send clear photos to us, we will check and offer you best solution soon.

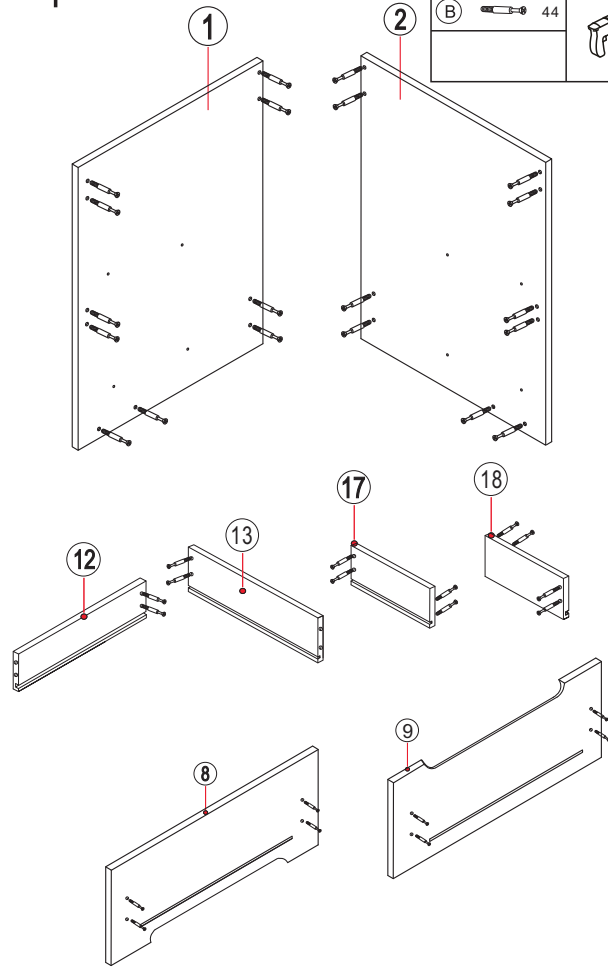
# Package List

Parts List			Parts List		
NO.	Description	QTY	NO.	Hardware list	QTY
1		1	A	 CAM LOCK	44
2		1	B	 CAM SCREW	44
3		1	C		4
4		1	D	 14mm	28
5		1	E		2
6		1	F		2
7		1	G		2
8		1			
9		1			
10		1			
11		1			
12		2			
13		2			
14		1			
15		1			
16		1			
17		1			
18		1			
19		1			



# Installation Manual

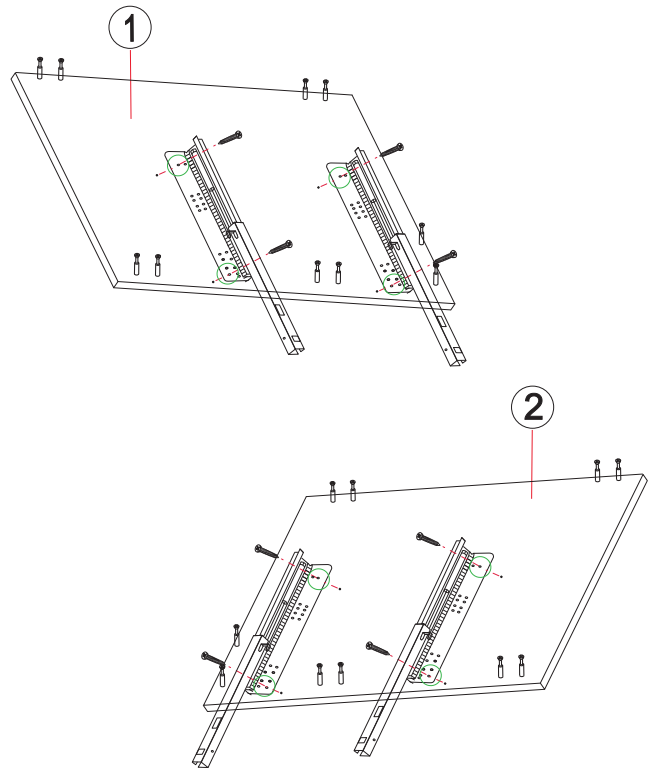
## Step 1



### HARDWARE LIST

(B)	44	
-----	----	--

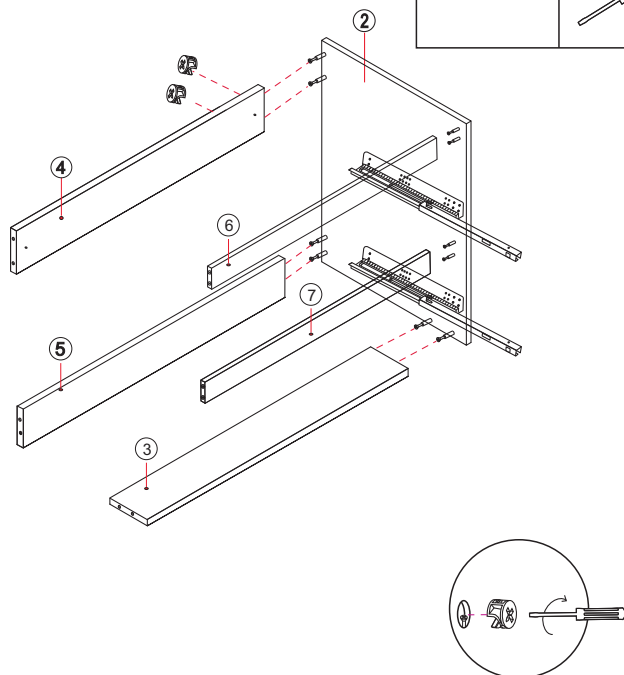
## Step 2



### HARDWARE LIST

(C)	4	
(D)	8 14mm	

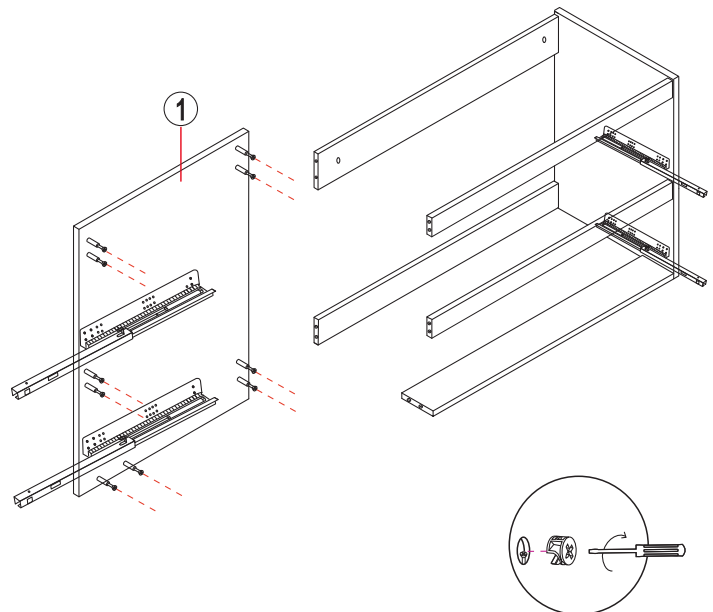
## Step 3



### HARDWARE LIST

(A)	10	
-----	----	--

## Step 4



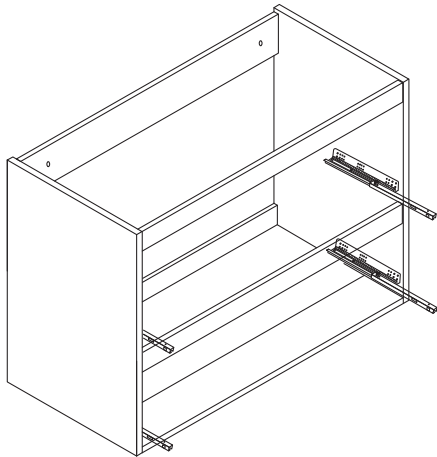
### HARDWARE LIST

(A)	10	
-----	----	--

# Installation Manual


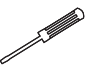
## Step 5

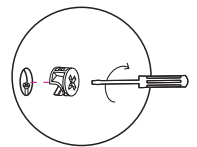
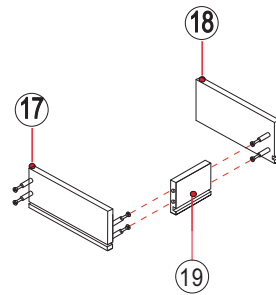
### HARDWARE LIST

## Step 6



### HARDWARE LIST

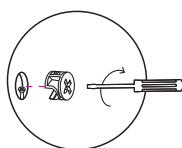
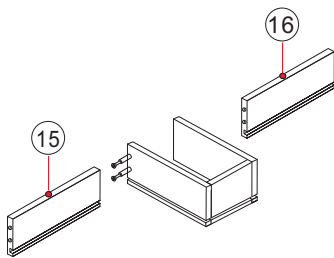
(A)		4	



## Step 7



### HARDWARE LIST

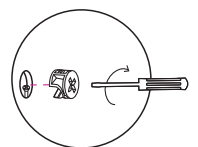
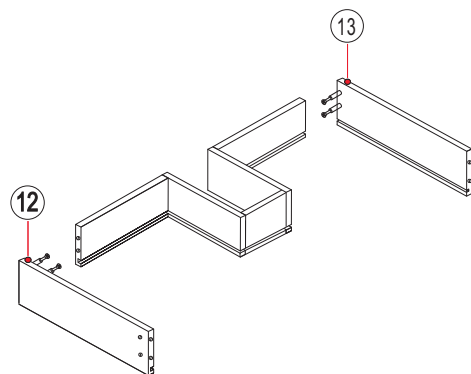
(A)		4	



## Step 8

### HARDWARE LIST

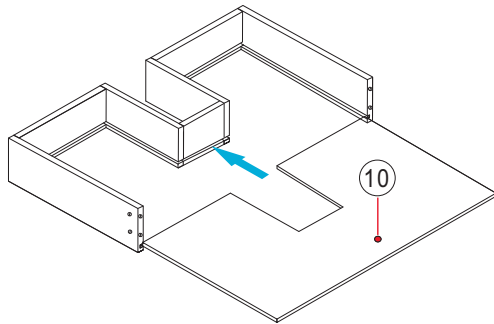
(A)		4	





# Installation Manual

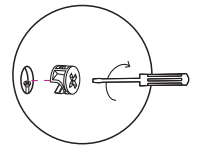
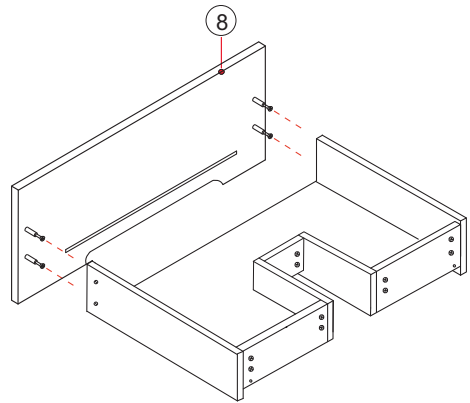
## Step 9

HARDWARE LIST	




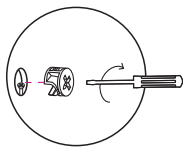
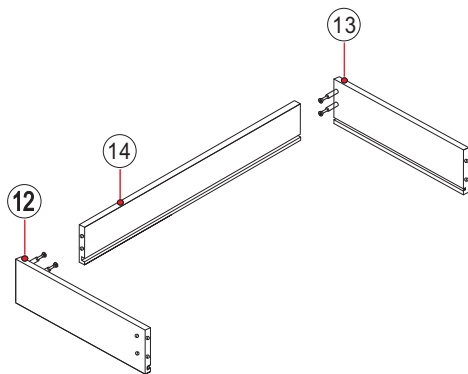
## Step 10

HARDWARE LIST	
(A)	 4 



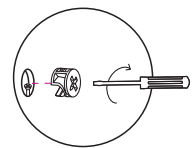
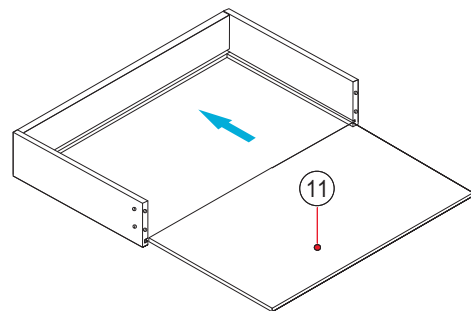
## Step 11

HARDWARE LIST	
(A)	 4 





## Step 12

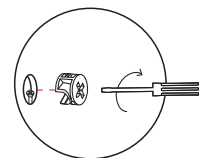
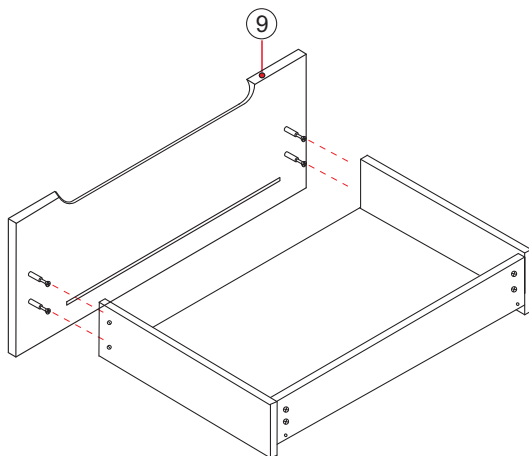
HARDWARE LIST	





# Installation Manual

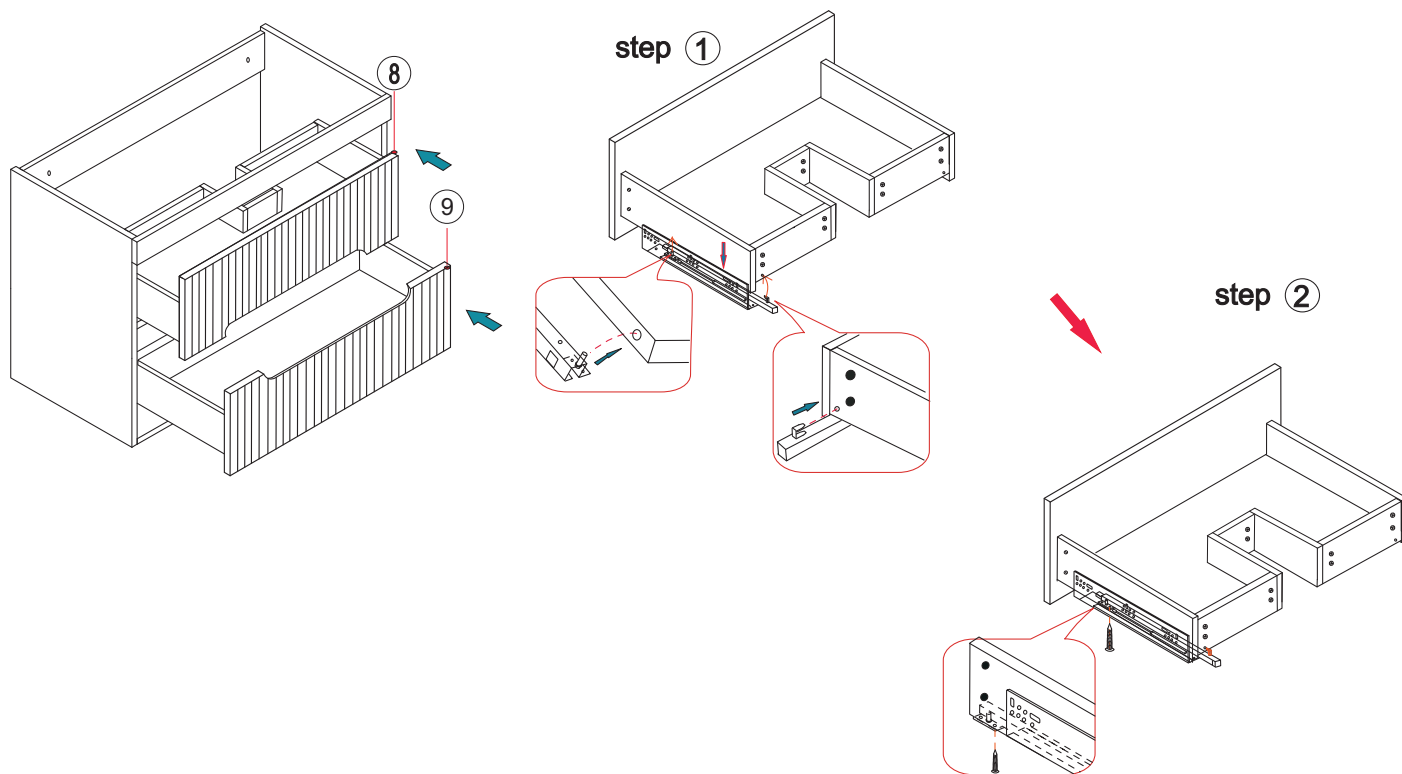
## Step 13

HARDWARE LIST			
(A)		4	





## Step 14

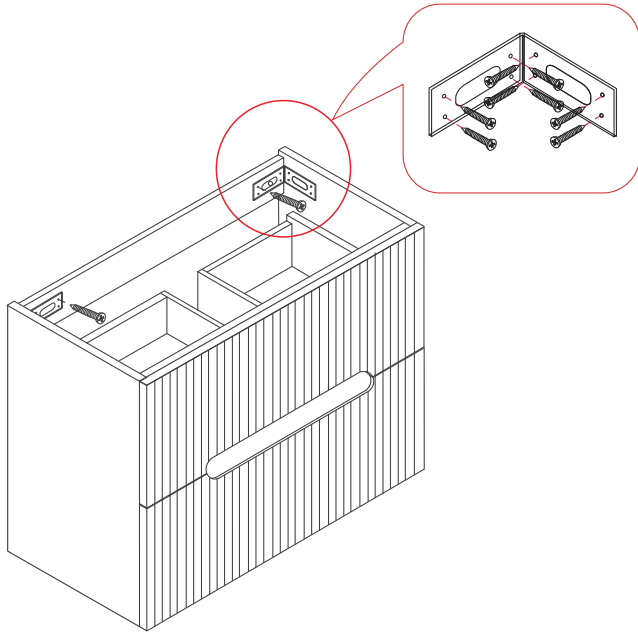
HARDWARE LIST			
(D)		4	





# Installation Manual

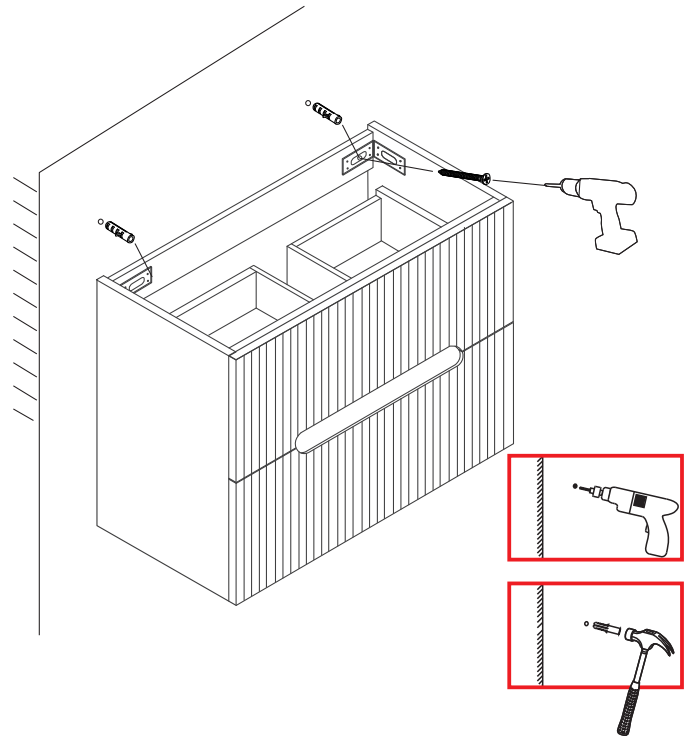
## Step 15

HARDWARE LIST	
 G	2
 D	16

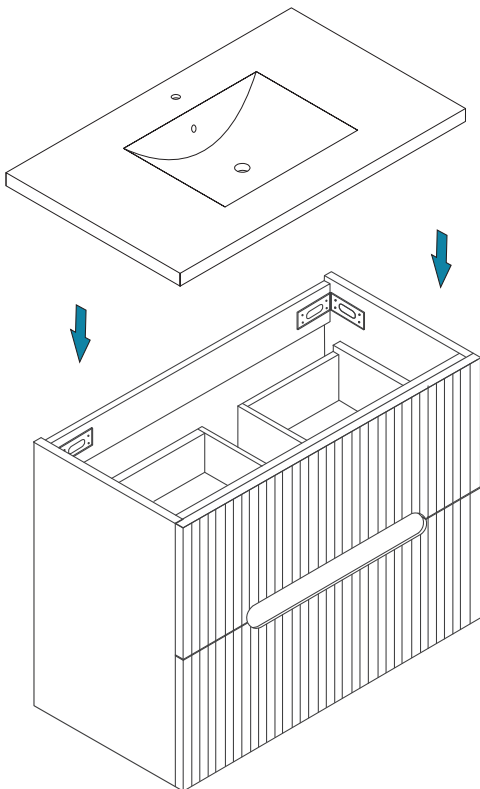


## Step 16

HARDWARE LIST	
 E	2
 F	2



## Step 17



## Step 18

